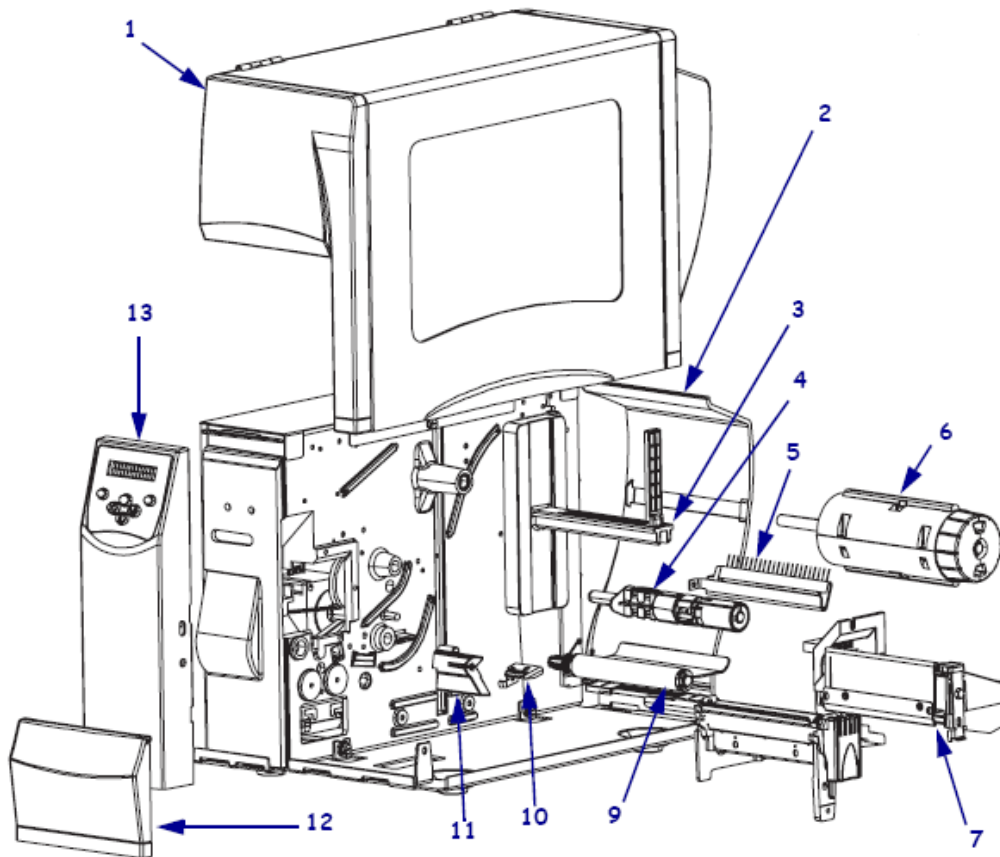


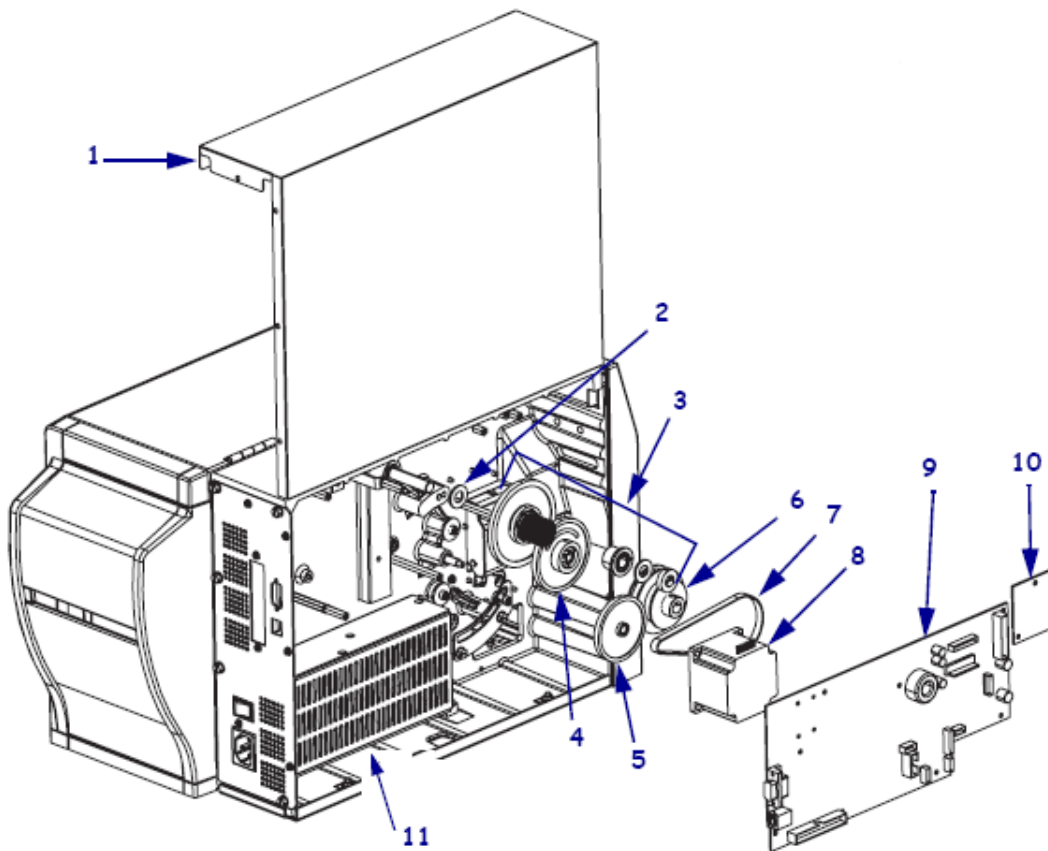
S4M Parts Catalog

Media Side Assemblies



Item Number	Description	Part Number	Kit Quantity
1	Kit Media Door S4M	P1034431	1
	Kit Snap-in Window (only for printers using newer media door design)	P1034432	1
2	Rear Lower Cover	20053	1
3	Kit Media Hanger S4M	G20069M	1
4	Kit Ribbon Supply Spindle S4M	G77085M	1
5	Kit Ribbon Static Brush S4M	G77302M	1
6	Kit Ribbon Take-Up Spindle S4M	20004M	1
7	Kit Print Mechanism 203 dpi S4M	G20067-104M	1
7	Kit Print Mechanism 300 dpi S4M	G20067-106M	1
9	Kit Media Dancer S4M	77238M	1
	Kit Plastic Roller for Media S4M with SN > 03J115000782	P1054836	1
10	Kit Ribbon/Head-Open Sensor S4M	G77767M	1
11	Kit Media Sensor (Transmissive) S4M	G77752M	1
12	Lower Front Cover for Tear Option S4M	20038	1
12	Lower Front Cover for Peel Option S4M	P1008990	1
13	Kit Control Panel S4M	G20060M	1

Drive and Electronic Components



Item Number	Description	Part Number	Kit Quantity
1	Kit Electronics Cover S4M	G20071M	1
2	Washer .379 X 0.53 X 0.056 Qty of 25	HW78812	25
3	Kit Clutch for Ribbon Take-Up Spindle S4M	G20001M	1
4	Compound Gear included in Kit 20002M	20002M	1
5	Intermediate Gear included in Kit 20002M	20002M	1
6	Compound Pulley included in Kit 20002M	20002M	1
7	Drive Belt 203 dpi	20006	1
7	Drive Belt 300 dpi	20005	1
8	Kit Stepper Motor With Gear S4M	20008M	1
9	Kit Main Logic Board 4MB S4M	P1008211	1
9	Kit Main Logic Board 64MB S4M	P1008212	1
10	Kit Power enhanced board S4M	G28420-001M	1
11	Kit Power Supply S4M	G29600M	1

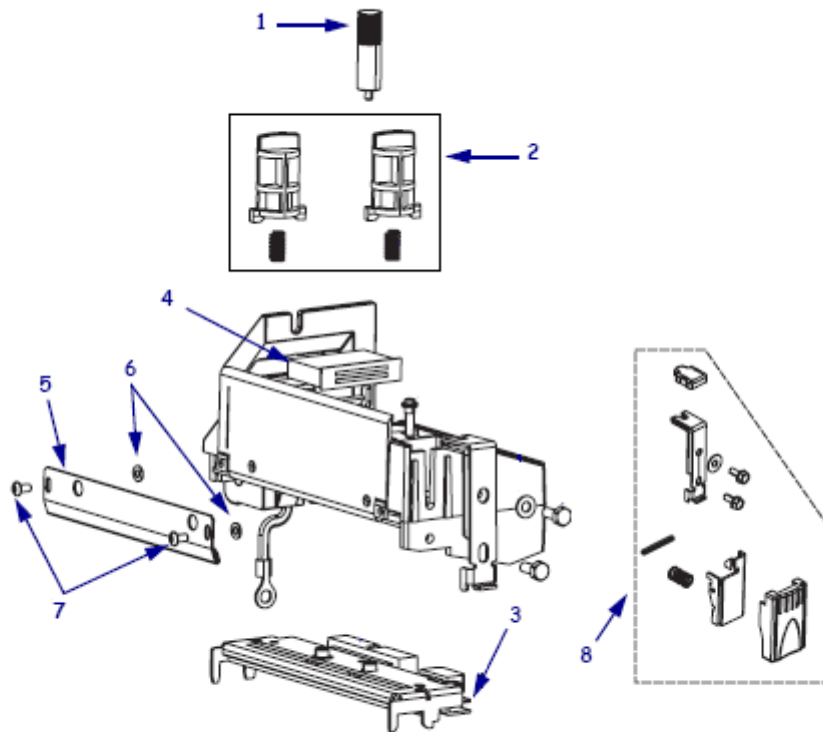
## S4M Parts Catalog

## Drive and Electronic Components Continued

Item Number	Description	Part Number	Kit Quantity
	Kit ZebraNet Wireless b/g Print Server	P1032272	1
	Kit Replacement Antenna for b/g Wireless Print Servers	P1032276	1
	Kit Parallel Port S4M	G20037M	1
	Kit Wireless Plus Board. In order to enable wireless function, a separate radio card must be purchased (not included).	29882-001M	1
	Kit IPv6 Internal Print Server IPv6	P1000221	1
	Kit IPv4 Internal Printer Server IPv4	P1031033	1
	Kit IPv6 External Print Server IPv6	P1000219	1
	Kit PCB for Real Time Clock	G20009M	1
	Kit Replacement Antenna for Internal Wireless Plus Print Servers	39538M	1
	USA Power Cord	46693	1
	Europe Power Cord	46629	1
	UK Power Cord	46637	1
	Japan Power Cord	37609	1
	China Power Cord	47612	1

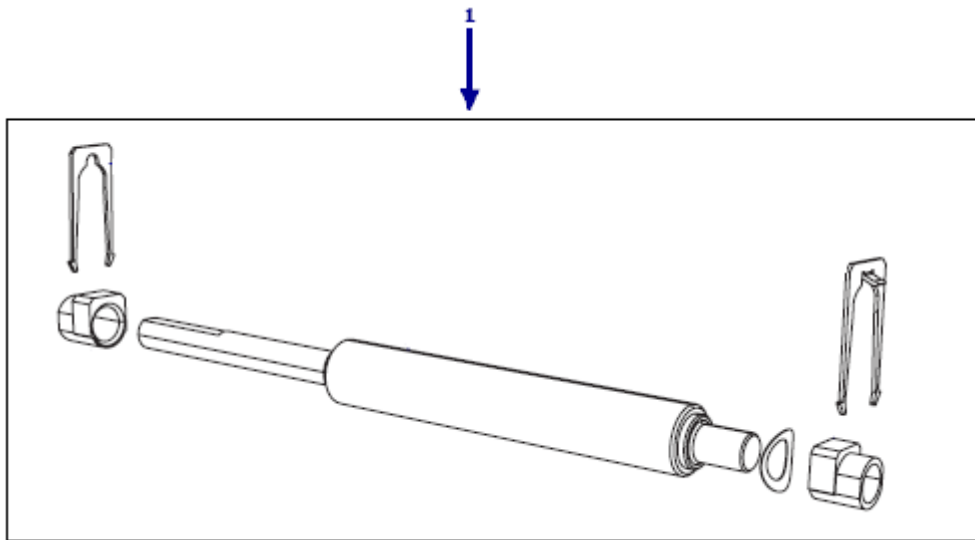
S4M Parts Catalog

Print Mechanism Components

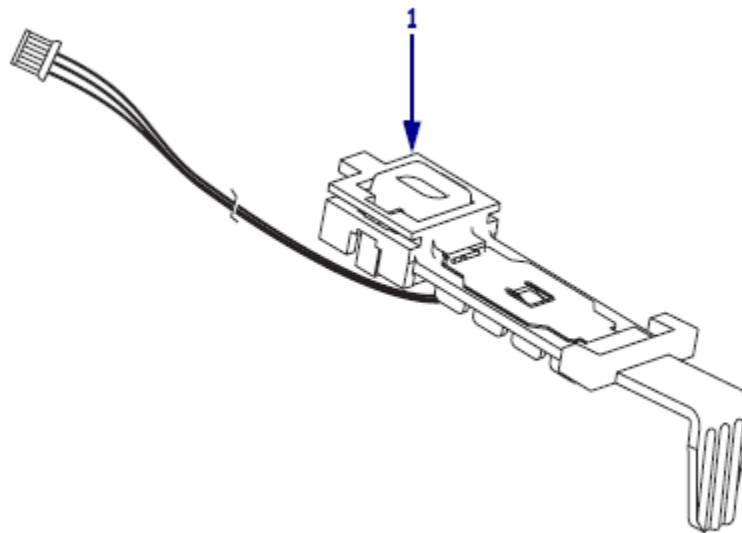


Item Number	Description	Part Number	Kit Quantity
1	Screw, Printhead Mounting, QTY OF 5	HW77047	5
2	Kit Pressure Dials and Springs S4M	G77172M	2
3	Kit Printhead 203 dpi S4M	G41400M	1
3	Kit Printhead 300 dpi S4M	G41401M	1
4	Magnetic Latch	77660	1
5	Ribbon Strip Plate	77049-104	1
6	Washer 0.250 X 0.125 X 0.023 (Qty of 25)	HW79041	25
7	Screw M3 X 0.5 X 6 (Qty of 25)	HW78809	25
8	Kit Print Mech Latch S4M	G77112M	1
	Kit Printhead Cables S4M	20106M	1
	Kit dpi conversion from 203 dpi to 300 dpi S4M	G20112	1
	Kit dpi conversion from 300 dpi to 203 dpi S4M	G20111	1

**Platen Roller**



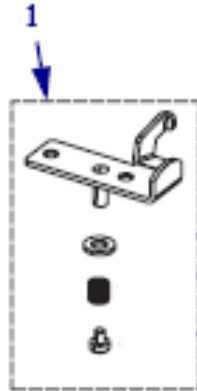
Item Number	Description	Part Number	Kit Quantity
1	Kit Platen Roller S4M	G77023M	1



Item Number	Description	Part Number	Kit Quantity
1	Kit Media Sensor (Reflective) S4M	G77807M	1

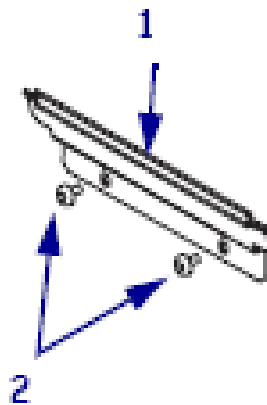
S4M Parts Catalog

Media Guide



Item Number	Description	Part Number	Kit Quantity
1	Media Guide	G20043M	1

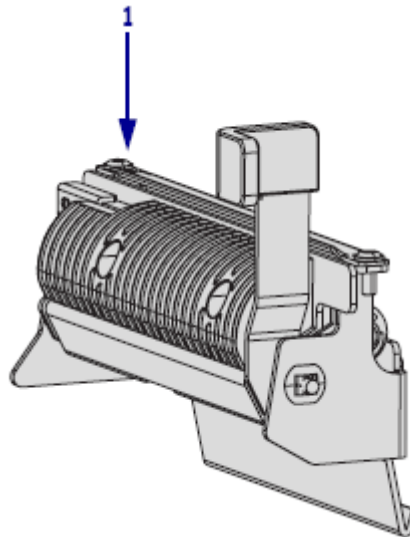
Tear/Peel Bar



Item Number	Description	Part Number	Kit Quantity
1	Kit Peel/Tear Bar S4M	77625M	1
2	Screw M3 X 8mm (Qty of 25)	HW77231	25

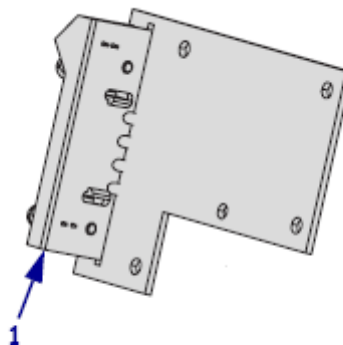
S4M Parts Catalog

Peel Option



Item Number	Description	Part Number	Kit Quantity
1	Kit Peel Unit Option: (includes take label sensor)	G20046	1
	Kit Peel Unit Only (take label sensor not included)	G78002M	1
	Kit Pinch Roller for Peel Unit S4M	77197M	1

Take Label Sensor



Item Number	Description	Part Number	Kit Quantity
1	Take Label Sensor	20065M	1

**S4M Parts Catalog**

**Cutter Replacement Components**

<b>Item Number</b>	<b>Description</b>	<b>Part Number</b>	<b>Kit Quantity</b>
	Kit Replacement Cutter S4M. For replacing a factory installed cutter only	P1008213	1
	Kit Cover for Cutter with PCBA S4M (includes cable)	P1008214	1
	Catch Tray for Cutter	77041	1
	Static Brush & Guard for Cutter	78120	1

**Packing Materials for Printer Shipping**

<b>Item Number</b>	<b>Description</b>	<b>Part Number</b>	<b>Kit Quantity</b>
	Kit Packaging for shipping printer Qty of 1 S4M	20010PM	1
	Kit Packaging for shipping printer Qty of 10 S4M	20010PBM	10