



FACSIMILE EQUIPMENT

PARTS REFERENCE LIST

MODEL: DCP4020C / MFC4820C

**(For Germany / United Kingdom / France /
Belgium / Netherlands / Switzerland /
Denmark / Austria / Spain / Italy /
Pan-Nordic / Portugal / Asia /
Euro Generic)**

© Copyright Brother 2003

All rights reserved

No part of this publication may be reproduced in any form or by any means without permission in writing from the publisher.

Specifications are subject to change without prior notice.

NOTES FOR USING THIS PARTS REFERENCE LIST

1. In the case of ordering parts, it needs mentioning the following items:

- (1) Code
- (2) Q' ty
- (3) Description

Note: No orders without Parts Code or Tool No. can be accepted.

[Example]

REF.NO.	CODE	Q' TY	DESCRIPTION	REMARKS

2. Design-changed parts:

When the parts are changed, any one of the following symbols is mentioned in the REMARKS column.

CNG(cng) : The part is changed to a new part.

ADD(add) : The part is newly added.

DEL(del) : The part is deleted.

Symbol in capital letters indicates that the change is the latest one in the page.

3. Parts change will be informed by the technical information.

COUNTRIES

GERMAN ----- GER

UNITED KINGDOM ----- UK

FRANCE ---- FRA

BELGIUM ---- BEL

NETHERLANDS ---- NLD

SWITZERLAND ---- CHE

DENMARK ---- DEN

AUSTRIA ---- AUS

SPAIN ---- SPA

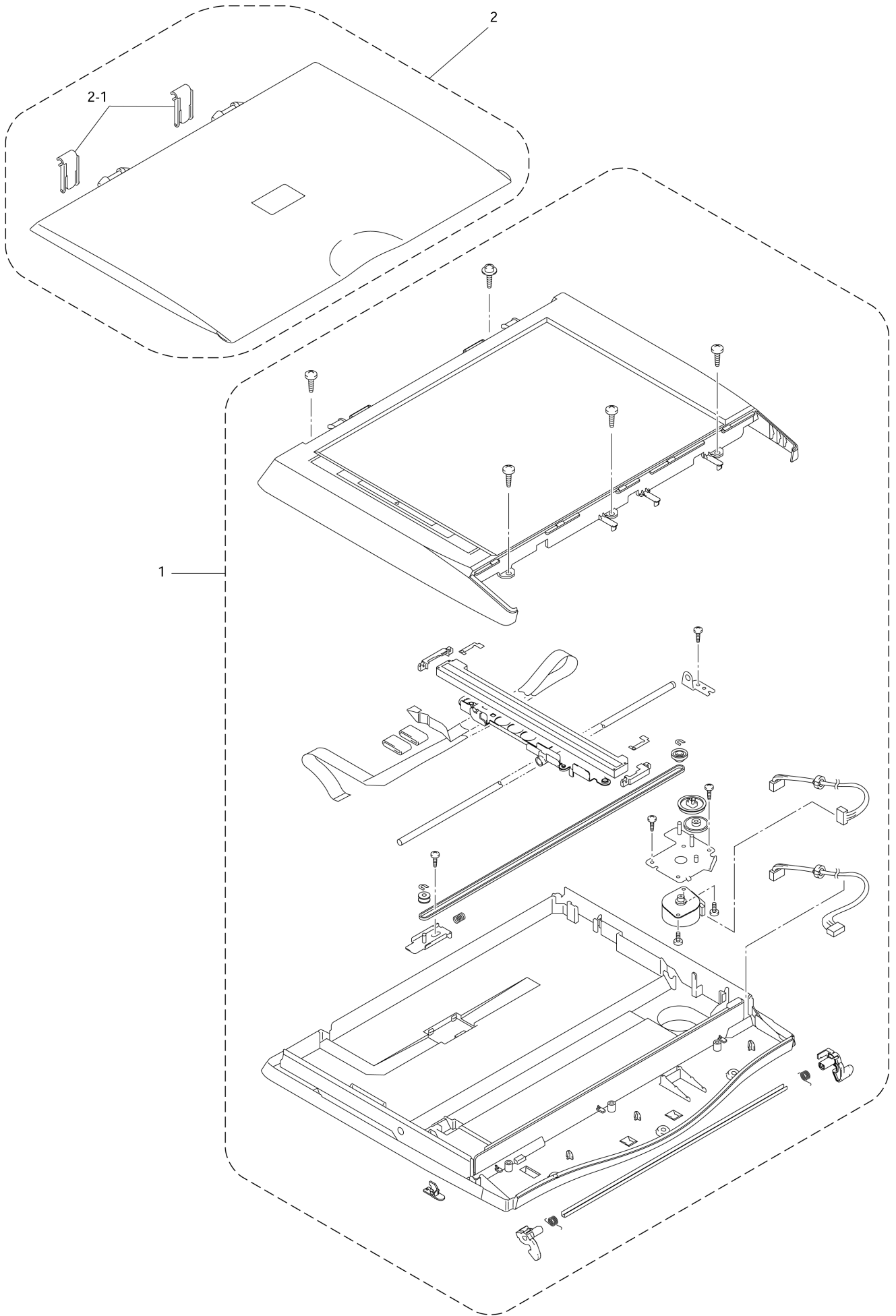
ITALY ---- ITA

PAN NORDIC ---- PAN

PORTUGAL ----- POR

ASIA ---- ASA

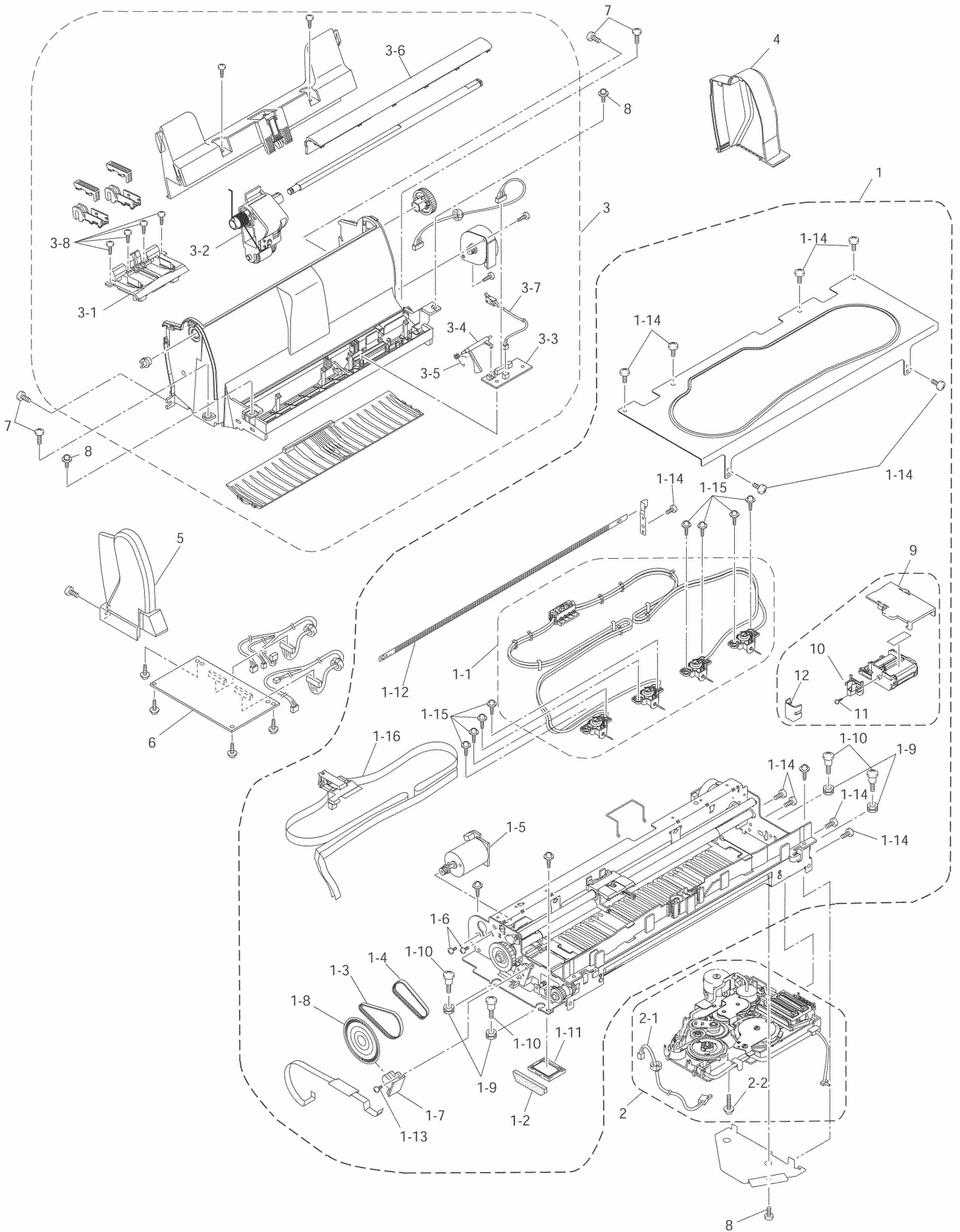
EURO GENERIC ----- GNR



List1(SCANNER)

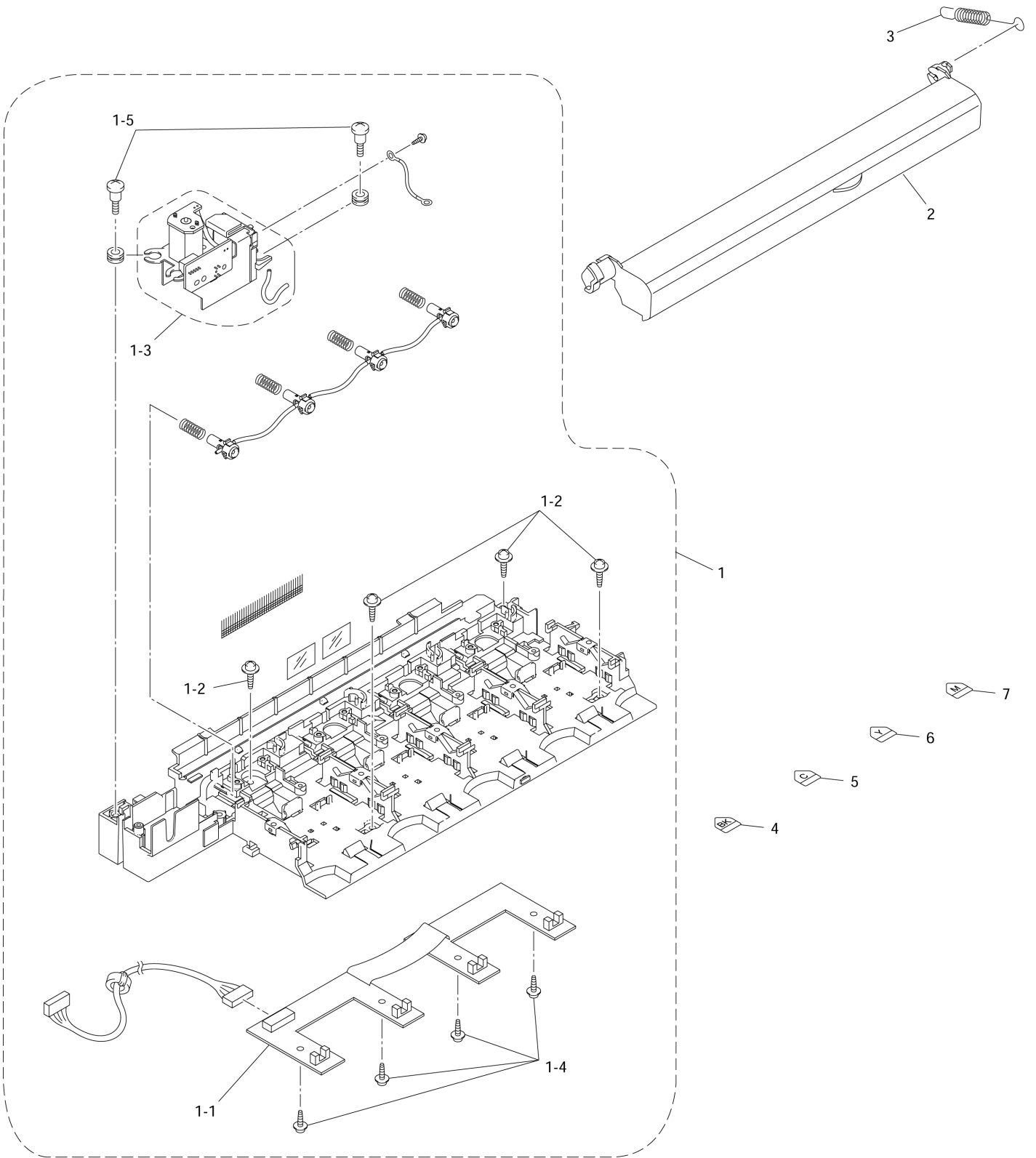
REF No.	CODE	Q'TY	DESCRIPTION	RECOMMEND	REMARK
1	LF0933001	1	MINI FB UNIT SUPPLY ASSY, MFC4820C	√	
1	LF0944001	1	MINI FB UNIT SUPPLY ASSY, DCP4020C	√	chg
2	LF0491002	1	DOCUMENT COVER SUPPLY ASSY, MFC4820C		CHG
2	LF0491003	1	DOCUMENT COVER SUPPLY ASSY, DCP4020C		CHG
2-1	LF0062001	2	HINGE ARM, GRAY(1581)		

2. ENGINE



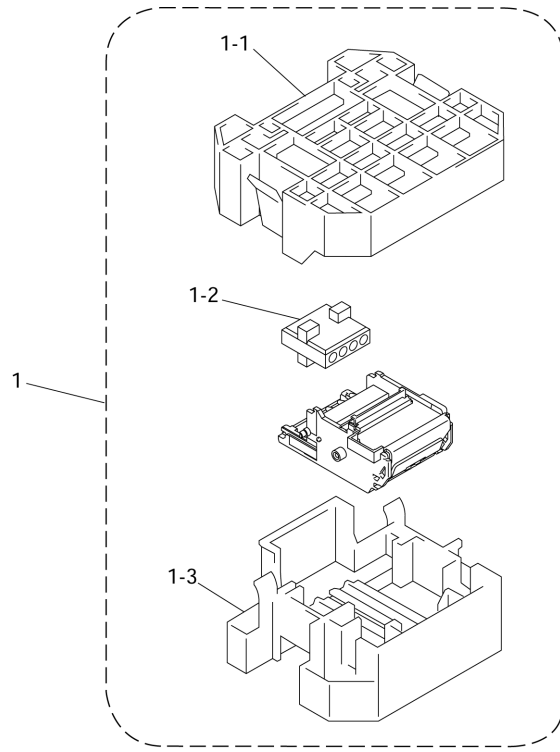
List2(ENGINE)

REF No.	CODE	Q'TY	DESCRIPTION	RECOMMEND	SYMBOL	REMARK
1	LF4699001	1	ENGINE SUPPLY UNIT			chg
1-1	LF4698001	1	NEEDLE TUBE SUPPLY ASSY			chg
1-2	LF0551001	1	HEAD CLEANING FOAM			
1-3	LF0152001	1	BELT160.5			
1-4	LF0153001	1	BELT135			
1-5	LF0157001	1	LF MOTOR ALL ASSY			
1-6	000300305	2	SCREW, BIND M3X3			
1-7	LG4059001	1	LF ENCODER PCB ASSY	√	B53K639	
1-8	LF0243001	1	ROTARY ENCODER	√		
1-9	LF0244001	4	GROMMET 6X5			
1-10	LF0245001	4	SHOULDER SCREW 4X10			
1-11	LF0558001	1	FLUSHING FOAM COVER ASSY			
1-12	LF0147001	1	ENCODER STRIP			
1-13	085270515	1	TAPTITE, BIND B M2.6X5			
1-14	000260405	11	SCREW, BIND M2.6X4			
1-15	085310815	8	TAPTITE, BIND B M3X8			
1-16	LG4048001	1	HEAD FPC ASSY			
2	LF4700001	1	MAINTENANCE UNIT ASSY			chg
2-1	LG4581001	1	PURGE HARNESS MINIFB FT2			
2-2	0A4260605	1	SCREW, PAN(S/P WASHER) M2.6X6			
3	LF0209001	1	ASF BASE ASSY			
3-1	LF0357001	1	CENTER BASE FLAP ASSY			
3-2	LF0233001	1	GEAR HOLDER ASSY			
3-3	LG4057001	1	SENSOR PCB ASSY		B53K634	
3-4	LF0235001	1	ACTUATOR REGI			
3-5	LF0236001	1	SPRING, ACTUATOR REGI			
3-6	LF0237001	1	SHIELD COVER			
3-7	LG4004001	1	PAPER HARNESS MINIFB			
3-8	085270815	4	TAPTITE, BIND B M2.6X8			
4	LF0239001	1	ASF COVER R, GRAY(1623)			
5	LF0238001	1	ASF COVER L, GRAY(1623)			
6	LG4063001	1	DRIVER PCB ASSY	√	B53K638	
7	085411215	4	SCREW, BIND B TITE 4X12			
8	000260405	3	SCREW, BIND M2.6X4			
9	LF0149001	1	HEAD COVER			ADD
10	LF0143001	1	MEDIA SENSOR HOLDER			ADD
11	085210615	1	TAPTITE BIND B M2X6			ADD
12	LF0144001	1	PAPER WIDTH SENSOR COVER			ADD



List3(CARTRIDGE CASE)

REF No.	CODE	Q'TY	DESCRIPTION	RECOMMEND	SYMBOL	REMARK
1	LF5039001	1	BOTTOM CASE ASSY			CHG
1-1	LG4068001	1	CARTRIDGE PCB ASSY		B53K637	
1-2	087310615	4	TAPTITE, CUP B M3X6			
1-3	LF0261001	1	AIR PUMP ASSY			
1-4	087310615	4	TAPTITE, CUP B M3X6			
1-5	LF0245001	2	SHOULDER SCREW 4X10			
2	LF0281001	1	FRONT COVER, GRAY(1623)			
3	LF0421001	1	FRONT COVER SPRING			
4	LF0663001	1	CONSUMPTION LABEL LC700BK			
5	LF0664001	1	CONSUMPTION LABEL LC700C			
6	LF0665001	1	CONSUMPTION LABEL LC700Y			
7	LF0666001	1	CONSUMPTION LABEL LC700M			

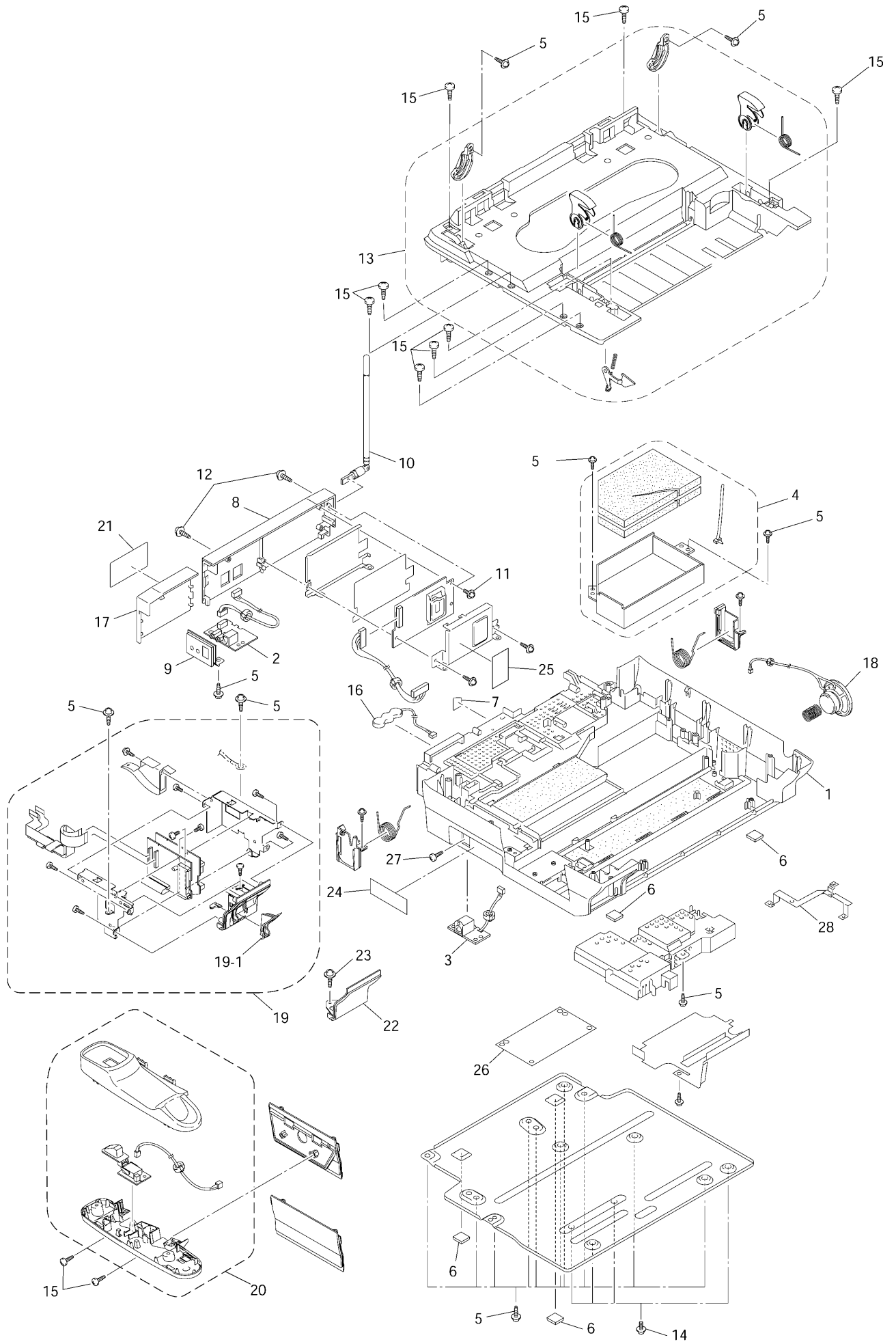


8CA602/8CA605/8CA630/8CA634/8CA651/8CA653

List4(HEAD)

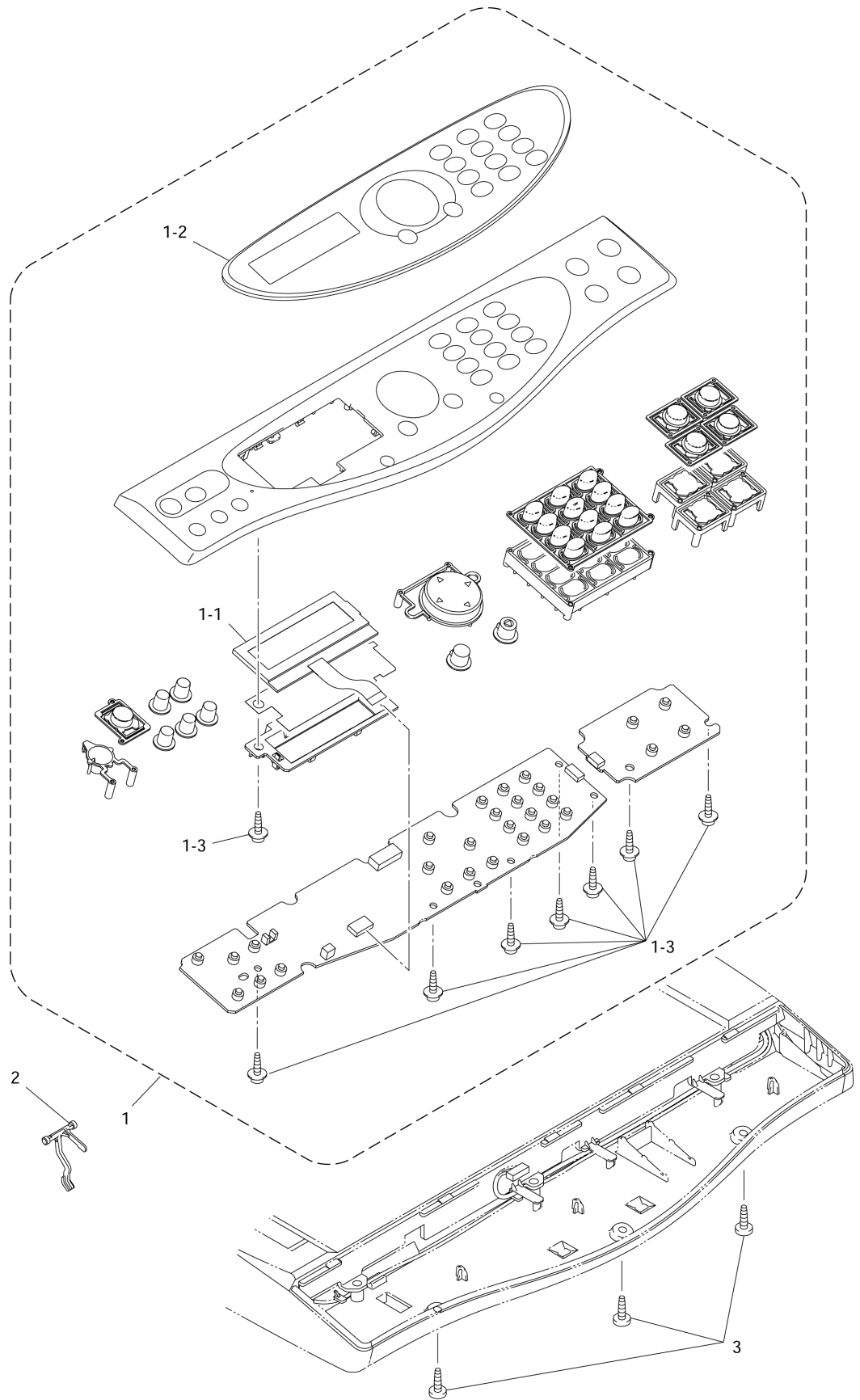
REF No.	CODE	Q'TY	DESCRIPTION	RECOMMEND	REMARK
1	LK0877001	1	PRINT HEAD UNIT MINI		
1-1	LK0825001	1	NOZZLE PROTECTOR MINI UPPER		
1-2	LK0749001	1	AIR BUFFER CAP		
1-3	LK0747001	1	NOZZLE PROTECTOR ASSY MINI		

5. COVER



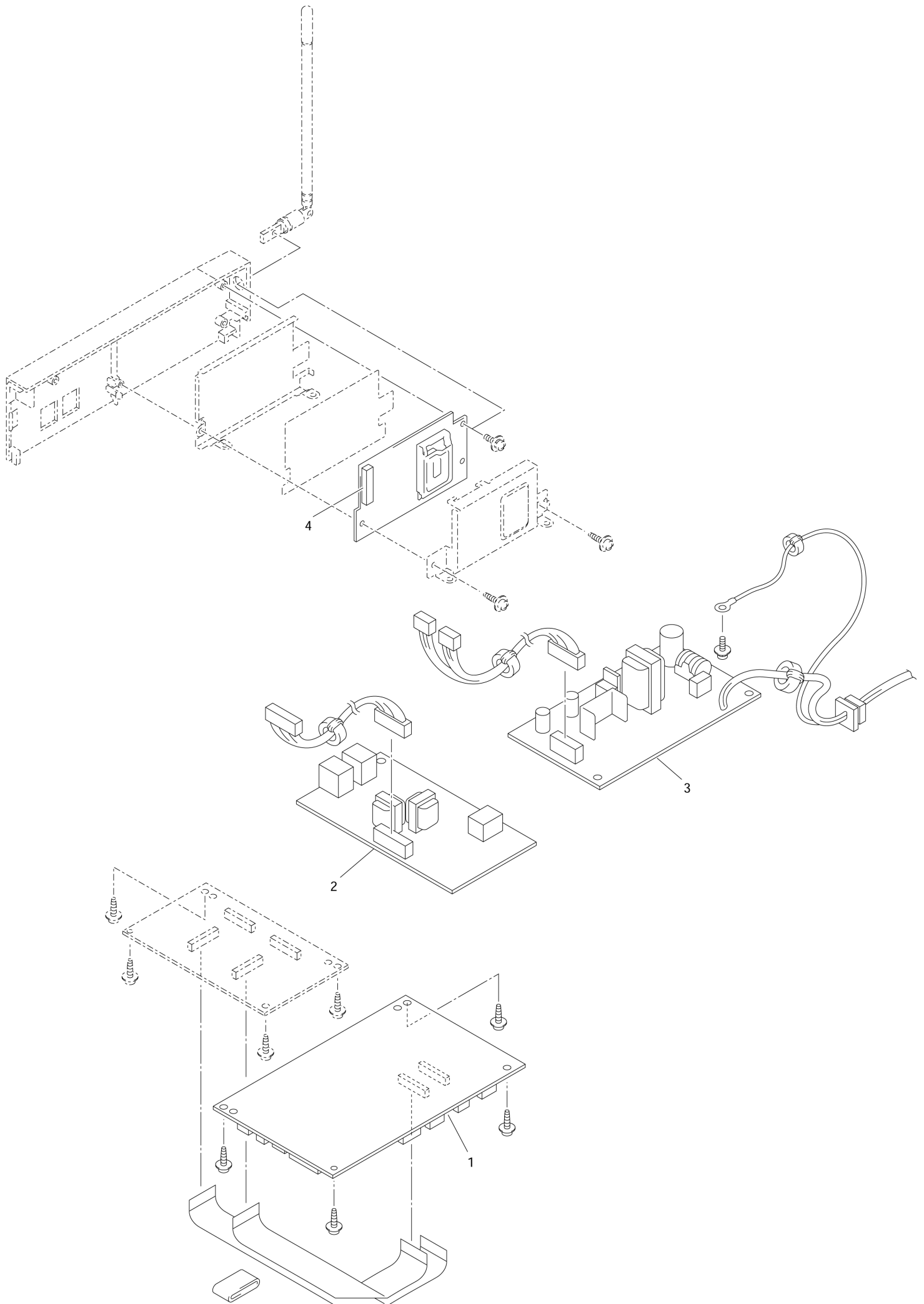
List5(COVER)

REF No.	CODE	Q'TY	DESCRIPTION	RECOMMEND	SYMBOL	REMARK
1	LF0282001	1	LOWER COVER, GRAY(1623)			
2	----		NOT USED			
3	LG4154001	1	USB PCB ASSY		B53K648	
4	LF4507001	1	INK ABSORBER CASE ASSY			chg
5	087311016	18	TAPTITE, CUP B M3X10			chg
6	UD4019001	4	RUBBER FOOT			
7	----		NOT USED			
8	LF0658001	1	INLET COVER FOR MFC4820C			
8	LF0659001	1	INLET COVER FOR DCP4020C			
9	LF0425001	1	MODULAR COVER BASE, GRAY(1623)			
10	----		NOT USED			
11	----		NOT USED			
12	087310816	2	TAPTITE, CUP B M3X8			
13	LF0574001	1	UPPER COVER ASSY			
14	UA9905001	4	SCREW, CUP M3X5			
15	085411216	10	TAPTITE, BIND B M4X12			
16	LG4075001	1	BATTERY 3/8H FOR MFC4820C			
17	LF0302001	1	BATTERY COVER, GRAY(1623)			
18	LF0947001	1	SPEAKER UNIT MINIFB			chg
19	LF4701001	1	MEDIA ASSY			CHG
19-1	LF0492001	1	MEDIA ATTACHMENT			ADD
20	----		NOT USED			
21	LF0584001	1	BATTERY CAUTION LABEL FOR MFC4820C			
22	----		NOT USED			
23	----		NOT USED			
24	LF0982001	1	USB STICKER			chg
25	----		NOT USED			
26	----		NOT USED			
27	002300616	1	SCREW, PAN M3X6			add
28	LF4702001	1	EARTH PLATE L1			ADD



List6(PANEL)

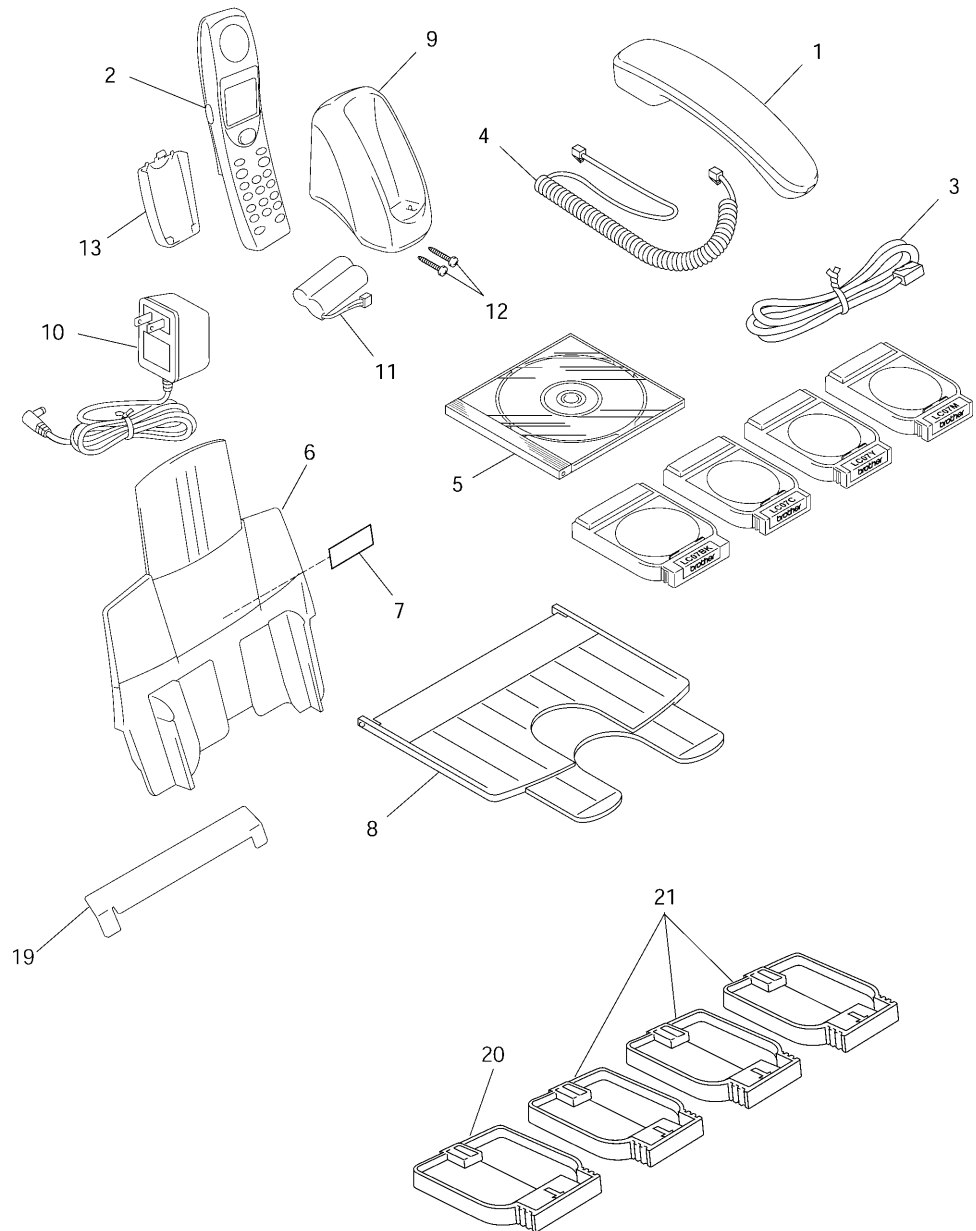
REF No.	CODE	QTY	DESCRIPTION	RECOMMEND	REMARK
1	LF0699001	1	PANEL COVER ASSY, MFC4820C FOR GER/AUS	√	
1	LF0669001	1	PANEL COVER ASSY, DCP4020C FOR GER	√	
1	LF0710001	1	PANEL COVER ASSY, MFC4820C FOR UK/BEL/CHE/GNR	√	
1	LF0682001	1	PANEL COVER ASSY, DCP4020C FOR UK/BEL/CHE/DEN/ASA/GNR/PAN-NOR	√	
1	LF0719001	1	PANEL COVER ASSY, MFC4820C FOR FRA	√	
1	LF0690001	1	PANEL COVER ASSY, DCP4020C FOR FRA	√	
1	LF0799001	1	PANEL COVER ASSY, MFC4820C FOR NLD	√	
1	LF0841001	1	PANEL COVER ASSY, DCP4020C FOR NLD	√	
1	LF0810001	1	PANEL COVER ASSY, MFC4820C FOR DEN/PAN-NOR	√	
1	LF0894001	1	PANEL COVER ASSY, MFC4820C FOR SPA	√	
1	LF0880001	1	PANEL COVER ASSY, DCP4020C FOR SPA	√	
1	LF0818001	1	PANEL COVER ASSY, MFC4820C FOR ITA	√	
1	LF0859001	1	PANEL COVER ASSY, DCP4020C FOR ITA	√	
1	LF0901001	1	PANEL COVER ASSY, MFC4820C FOR POR	√	
1	LF0887001	1	PANEL COVER ASSY, DCP4020C FOR POR	√	
1-1	LG4343001	1	LCD MC, MFC4820C		
1-1	LG4076001	1	LCD BASE, DCP4020C		
1-2	LF0701001	1	PRINTED PANEL C PLATE ASSY, MFC4820C FOR GER/AUS		
1-2	LF0671001	1	PRINTED PANEL C PLATE ASSY, DCP4020C FOR GER		
1-2	LF0712001	1	PRINTED PANEL C PLATE ASSY, MFC4820C FOR UK/BEL/CHE/GNR		
1-2	LF0684001	1	PRINTED PANEL C PLATE ASSY, DCP4020C FOR UK/BEL/CHE/DEN/ASA/GNR/PAN-NOR		
1-2	LF0721001	1	PRINTED PANEL C PLATE ASSY, MFC4820C FOR FRA		
1-2	LF0692001	1	PRINTED PANEL C PLATE ASSY, DCP4020C FOR FRA		
1-2	LF0801001	1	PRINTED PANEL C PLATE ASSY, MFC4820C FOR NLD		
1-2	LF0843001	1	PRINTED PANEL C PLATE ASSY, DCP4020C FOR NLD		
1-2	LF0812001	1	PRINTED PANEL C PLATE ASSY, MFC4820C FOR DEN/PAN-NOR		
1-2	LF0896001	1	PRINTED PANEL C PLATE ASSY, MFC4820C FOR SPA		
1-2	LF0882001	1	PRINTED PANEL C PLATE ASSY, DCP4020C FOR SPA		
1-2	LF0820001	1	PRINTED PANEL C PLATE ASSY, MFC4820C FOR ITA		
1-2	LF0861001	1	PRINTED PANEL C PLATE ASSY, DCP4020C FOR ITA		
1-2	LF0903001	1	PRINTED PANEL C PLATE ASSY, MFC4820C FOR POR		
1-2	LF0889001	1	PRINTED PANEL C PLATE ASSY, DCP4020C FOR POR		
1-3	087310615	8	TAPTITE, CUP B M3X6		
2	LF0314001	1	ACTUATOR FB		
3	085310815	3	TAPTITE, BIND B M3X8		



List7(PCB)

REF No.	CODE	Q'TY	DESCRIPTION	RECOMMEND	SYMBOL	REMARK
1	LG4630043	1	MAIN PCB ASSY, MFC4820C	√	B53K684	
1	LG4631013	1	MAIN PCB ASSY, DCP4020C	√	B53K684	
2	LG4723043	1	NCU PCB ASSY, MFC4820C	√	B53K567	
3	LG4592001	1	POWER SUPPLY PCB UNIT	√		
4	----		NOT USED			

8. ACCESSORY



List8(Accessories)

REF No.	CODE	QTY	DESCRIPTION	RECOMMEND	REMARK
1	----		NOT USED		
2	----		NOT USED		
* 3	UL8230001	1	TELEPHONE LINE CORD, MFC4820C FOR GER		
* 3	UL8211001	1	TELEPHONE LINE CORD, MFC4820C FOR UK		
* 3	UL8290001	1	TELEPHONE LINE CORD, MFC4820C FOR FRA		
* 3	UL8219001	1	TELEPHONE LINE CORD, MFC4820C FOR BEL		
* 3	UG3409001	1	TELEPHONE LINE CORD, MFC4820C FOR NLD/SPA/POR/GNR		
* 3	UG4169001	1	TELEPHONE LINE CORD, MFC4820C FOR CHE		
* 3	UL8288001	1	TELEPHONE LINE CORD, MFC4820C FOR DEN		chg
* 3	LG4566001	4	TELEPHONE PLUG, MFC4820C FOR DEN		del
* 3	UG4204001	1	TELEPHONE LINE CORD, MFC4820C FOR AUS		
* 3	UL8289001	1	TELEPHONE LINE CORD, MFC4820C FOR ITA		
* 3	UL8384001	1	TELEPHONE LINE CORD, MFC4820C FOR PAN-NOR(NORWAY)		
* 3	UL8217001	1	TELEPHONE LINE CORD, MFC4820C FOR PAN-NOR(FINLAND)		
* 3	UL8218001	1	TELEPHONE LINE CORD, MFC4820C FOR PAN-NOR(SWEDEN)		
4	----		NOT USED		
5	LF0705001	1	CD-ROM ASSY, MFC4820C FOR GER/UK/FRA/AUS <Windows>		chg
5	LF0942001	1	CD-ROM ASSY, MFC4820C FOR CHE <Windows>		add
5	LF0676001	1	CD-ROM ASSY, DCP4020C FOR GER/UK/FRA/ASA <Windows>		chg
5	LF0777001	1	CD-ROM ASSY, MFC4820C FOR BEL/NLD/PAN-NOR/GNR		
5	LF0774001	1	CD-ROM ASSY, DCP4020C FOR BEL/NLD/PAN-NOR/GNR		
5	LF0778001	1	CD-ROM ASSY, MFC4820C FOR DEN/PAN-NOR <Windows>		
5	LF0775001	1	CD-ROM ASSY, DCP4020C FOR DEN/PAN-NOR <Windows>		
5	LF0776001	1	CD-ROM ASSY, MFC4820C FOR SPA/ITA/POR <Windows>		
5	LF0773001	1	CD-ROM ASSY, DCP4020C FOR SPA/ITA/POR <Windows>		
5	LF0945001	1	CD-ROM ASSY, DCP4020C FOR CHE <Windows>		add
5	LF0677001	4	CD-ROM ASSY, MFC4820C FOR GER/UK/FRA/AUS, DCP4020C FOR ASA <Macintosh>		del
5	LF0939001	4	CD-ROM ASSY, MFC4820C FOR BEL/NLD/CHE/DEN/PAN-NOR, DCP4020C FOR GER/UK/FRA <Macintosh>		del
5	LF0940001	4	CD-ROM ASSY, MFC4820C FOR SPA/ITA/POR/GNR, DCP4020C FOR BEL/NLD/CHE/DEN/PAN-NOR <Macintosh>		del
5	LF0941001	1	CD-ROM ASSY <Macintosh>		add
6	LF0331002	1	PAPER TRAY ASSY, SMOKED GRAY(1587)		
7	LF0481001	1	PAPER SET LABEL		
8	LF0339002	1	PAPER EJECT TRAY ASSY		
9	----		NOT USED		
10	----		NOT USED		
11	----		NOT USED		
12	----		NOT USED		
13	----		NOT USED		
(14)	ZA0310001	1	HEAD CLEANER STICK ASSY	√	
(15)	UF8263001	1	TEST CHART-027		
(16)	UF9258001	1	COLOR TEST CHART CTC-001		
(17)	UF4600001	1	CONTRAST CHART TC-023		
(18)	LG2085001	1	AC CORD BAG ASSY, VDE FOR GER/FRA/BEL/NLD/AUS/SPA/ITA/POR/ASA/PAN-NOR/GNF	√	
(18)	LG2086001	1	AC CORD BAG ASSY, BS FOR UK	√	
(18)	LJ9667001	1	AC CORD BAG ASSY, SAA FOR ASA(OCEANIA)	√	CHG
(18)	LG2087001	1	AC CORD BAG ASSY, SEV FOR CHE	√	
(18)	LG2181001	1	AC CORD BAG ASSY, DEMCO FOR DEN	√	
19	LF0520001	1	DUST COVER		add
20	LF0537001	1	PROTECT CARTRIDGE ASSY BK		add
21	LF0540001	3	PROTECT CARTRIDGE ASSY CL		add

No. with " * " parts, please order to BIUK

List9(PRINTED MATTER)

REF No.	CODE	Q'TY	DESCRIPTION	RECOMMEND	REMARK
(1)	LF0704003	1	USER'S GUIDE, MFC4820C FOR GER/AUS	√	
(1)	LF0675003	1	USER'S GUIDE, DCP4020C FOR GER	√	
(1)	LF0704004	1	USER'S GUIDE, MFC4820C FOR UK/PAN-NOR/GNR	√	
(1)	LF0675004	1	USER'S GUIDE, DCP4020C FOR UK/ASA/PAN-NOR/GNR	√	
(1)	LF0704005	1	USER'S GUIDE, MFC4820C FOR FRA	√	
(1)	LF0675005	1	USER'S GUIDE, DCP4020C FOR FRA	√	
(1)	LF0704008	1	USER'S GUIDE, MFC4820C FOR BEL <DUTCH>	√	
(1)	LF0795008	1	USER'S GUIDE, MFC4820C FOR BEL/CHE <FRENCH>	√	
(1)	LF0675008	1	USER'S GUIDE, DCP4020C FOR BEL <DUTCH>	√	
(1)	LF0837008	1	USER'S GUIDE, DCP4020C FOR BEL/CHE <FRENCH>	√	
(1)	LF0704010	1	USER'S GUIDE, MFC4820C FOR CHE <GERMAN>	√	
(1)	LF0675010	1	USER'S GUIDE, DCP4020C FOR CHE <GERMAN>	√	
(1)	LF0704009	1	USER'S GUIDE, MFC4820C FOR NLD	√	
(1)	LF0675009	1	USER'S GUIDE, DCP4020C FOR NLD	√	
(1)	LF0704013	1	USER'S GUIDE, MFC4820C FOR DEN	√	
(1)	LF0675013	1	USER'S GUIDE, DCP4020C FOR DEN	√	
(1)	LF0704015	1	USER'S GUIDE, MFC4820C FOR SPA	√	
(1)	LF0675015	1	USER'S GUIDE, DCP4020C FOR SPA	√	
(1)	LF0704016	1	USER'S GUIDE, MFC4820C FOR ITA	√	
(1)	LF0675016	1	USER'S GUIDE, DCP4020C FOR ITA	√	
(1)	LF0704018	1	USER'S GUIDE, MFC4820C FOR POR	√	
(1)	LF0675018	1	USER'S GUIDE, DCP4020C FOR POR	√	

List10(PACKING MATERIAL)

REF No.	CODE	Q'TY	DESCRIPTION	RECOMMEND	REMARK
(1)	LF0706001	1	CARTON, BROTHER, MFC4820C	√	
(1)	LF0678001	1	CARTON, BROTHER, DCP4020C	√	
(2)	LF0526001	1	BODY POLYSTYRENE FOAM ASSY		
(3)	LF0741001	1	SHEET, 400X450		
(4)	LF0969001	1	BAG, 620X800H		chg
(5)	LF0536001	1	CARTON, FOR OPTION		
(6)	LF0708001	1	QUICK SETUP GUIDE, MFC4820C FOR GER/AUS		
(6)	LF0680001	1	QUICK SETUP GUIDE, DCP4020C FOR GER		
(6)	LF0717001	1	QUICK SETUP GUIDE, MFC4820C FOR UK/GNR		
(6)	LF0688001	1	QUICK SETUP GUIDE, DCP4020C FOR UK/ASA		
(6)	LF0725001	1	QUICK SETUP GUIDE, MFC4820C FOR FRA		
(6)	LF0696001	1	QUICK SETUP GUIDE, DCP4020C FOR FRA		
(6)	LF0798001	1	QUICK SETUP GUIDE, MFC4820C FOR BEL <DUTCH>		
(6)	LF0797001	1	QUICK SETUP GUIDE, MFC4820C FOR BEL/CHE <FRENCH>		
(6)	LF0840001	1	QUICK SETUP GUIDE, DCP4020C FOR BEL <DUTCH>		
(6)	LF0839001	1	QUICK SETUP GUIDE, DCP4020C FOR BEL/CHE <FRENCH>		
(6)	LF0809001	1	QUICK SETUP GUIDE, MFC4820C FOR CHE <GERMAN>		
(6)	LF0851001	1	QUICK SETUP GUIDE, DCP4020C FOR CHE <GERMAN>		
(6)	LF0805001	1	QUICK SETUP GUIDE, MFC4820C FOR NLD		
(6)	LF0847001	1	QUICK SETUP GUIDE, DCP4020C FOR NLD		
(6)	LF0816001	1	QUICK SETUP GUIDE, MFC4820C FOR DEN/PAN-NOR		
(6)	LF0858001	1	QUICK SETUP GUIDE, DCP4020C FOR DEN/PAN-NOR		
(6)	LF0831001	1	QUICK SETUP GUIDE, MFC4820C FOR PAN-NOR <ENGLISH>		
(6)	LF0832001	1	QUICK SETUP GUIDE, MFC4820C FOR PAN-NOR <NORWEGIAN>		
(6)	LF0833001	1	QUICK SETUP GUIDE, MFC4820C FOR PAN-NOR <SWEDISH>		
(6)	LF0834001	1	QUICK SETUP GUIDE, MFC4820C FOR PAN-NOR <FINNISH>		
(6)	LF0872001	1	QUICK SETUP GUIDE, DCP4020C FOR PAN-NOR <ENGLISH>		
(6)	LF0873001	1	QUICK SETUP GUIDE, DCP4020C FOR PAN-NOR <NORWEGIAN>		
(6)	LF0874001	1	QUICK SETUP GUIDE, DCP4020C FOR PAN-NOR <SWEDISH>		
(6)	LF0875001	1	QUICK SETUP GUIDE, DCP4020C FOR PAN-NOR <FINNISH>		
(6)	LF0900001	1	QUICK SETUP GUIDE, MFC4820C FOR SPA		
(6)	LF0886001	1	QUICK SETUP GUIDE, DCP4020C FOR SPA		
(6)	LF0824001	1	QUICK SETUP GUIDE, MFC4820C FOR ITA		
(6)	LF0865001	1	QUICK SETUP GUIDE, DCP4020C FOR ITA		
(6)	LF0907001	1	QUICK SETUP GUIDE, MFC4820C FOR POR		
(6)	LF0893001	1	QUICK SETUP GUIDE, DCP4020C FOR POR		
(6)	LF0879001	1	QUICK SETUP GUIDE, MFC4820C FOR GNR		
(6)	LF0878001	1	QUICK SETUP GUIDE, DCP4020C FOR GNR		
(7)	LF0908001	1	INK PROTECTION SHEET		ADD

brother®