



**Duplex Unit for HL-3400CN
Color Laser Printer**

PARTS REFERENCE LIST

MODEL: DX-3400

Read this list thoroughly before maintenance work.
Keep this list in a convenient place for quick and easy reference at all times.

March, 2000
PL-PRN008

NOTE FOR USING THIS PARTS REFERENCE LIST

1. In the case of ordering parts, it needs mentioning the following items:

- (1) Code
- (2) Q'ty
- (3) Description

Note : No orders without Parts Code can be accepted.

< Example >

REF.NO.	(1) CODE	(2) Q'TY	(3) DESCRIPTION	REMARK

2. Design-changed parts :

If the parts are changed, any one of the following symbols is indicated in the REMARKS column.

- #A : compatible between old and new
- #B : replaceable from old to new
- #D : incompatible
- # : newly established

3. The original of this list was made based on the information available in March, 2000.

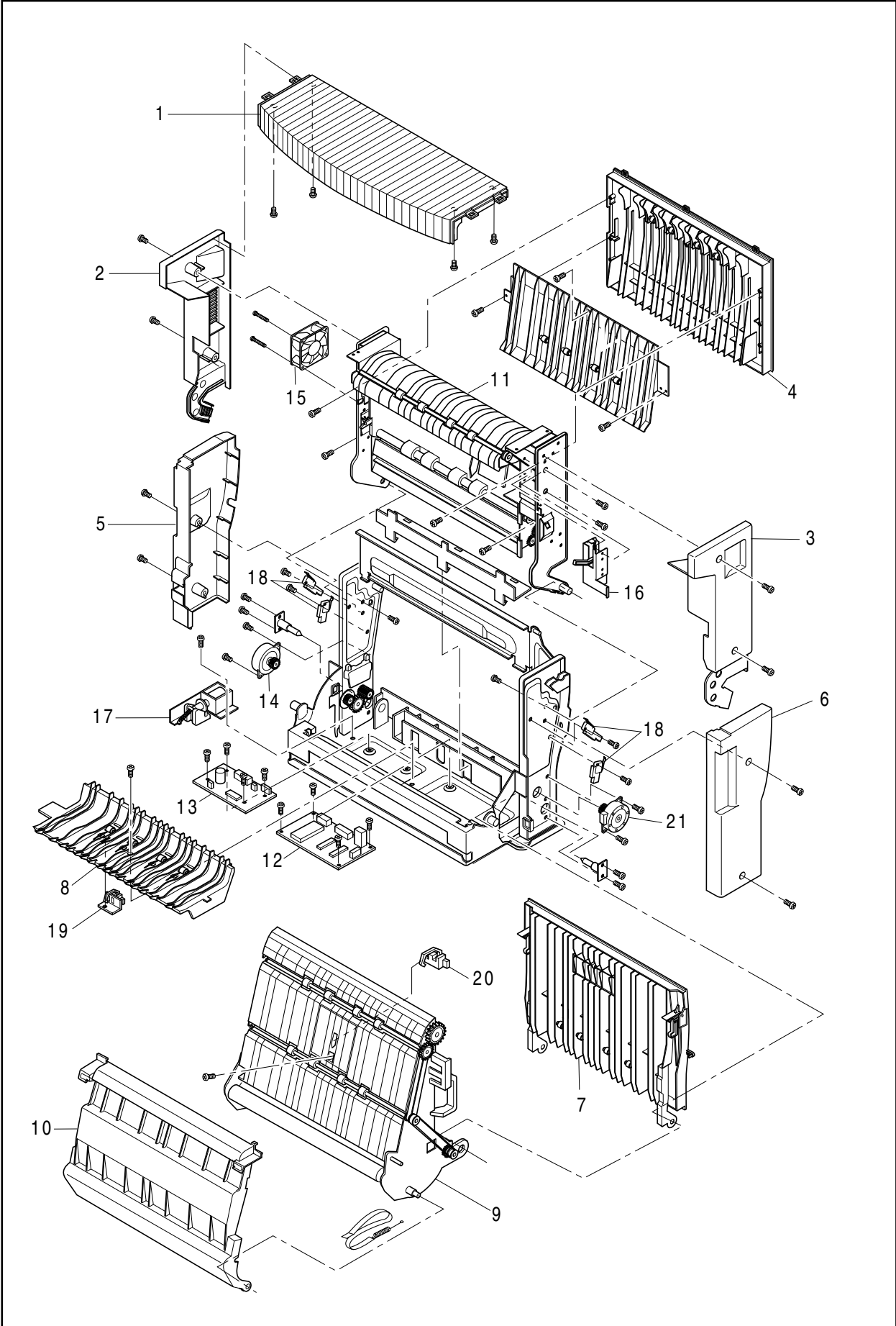
4. Parts are subject to change in design without prior notice.

DUPLEX UNIT

REF.NO	CODE	Q'TY	DESCRIPTION	REMARK
1	LJ2284001	1	COVER TOP (C) AS	
2	LJ2216001	1	COVER TOP (L)	
3	LJ2217001	1	COVER TOP (R)	
4	LJ2219001	1	COVER TOP (B) AS	
5	LJ2223001	1	COVER LOW (L)	
6	LJ2225001	1	COVER LOW (R)	
7	LJ2226001	1	COVER LOW (B) AS	
8	LJ2237001	1	PAPER GUIDE BOTTOM AS	
9	LJ2238001	1	PAPER GUIDE RVS AS	
10	LJ2240001	1	PAPER GUIDE RVS IN	
11	LJ2325001	1	PAPER GUIDE U AS	
12	LJ2326001	1	DUPL PWB	
13	LJ2261001	1	RELAY PWB	
14	LJ2241001	1	MOTOR (1)	
15	LJ2262001	1	FAN MOTOR	
16	LJ2263001	1	SOLENOID (U) AS	
17	LJ2264001	1	SOLENOID (L) AS	
18	UH1946001	1	INTERLOCK SWITCH	
19	LJ2127001	1	D SENSOR (PT4)	
20	LJ2156001	1	D SENSOR (PT5)	
21	LJ2324001	1	MOTOR (2)	

MODEL DX-3400 54S-X21

GENERAL DRAWING



MODEL DX-3400 54S-X21