



FACSIMILE EQUIPMENT

PARTS REFERENCE LIST

**MODEL:FAX1010e / FAX1020e
/ FAX1030e**

**(For Germany / United Kingdom / Norway /
Switzerland / Ireland / Austria / Spain
Italy / Sweden)**

© Copyright Brother 2002

All rights reserved

No part of this publication may be reproduced in any form
or by any means without permission in writing from the
publisher.

Specifications are subject to change without prior notice.

NOTES FOR USING THIS PARTS REFERENCE LIST

1. In the case of ordering parts, it needs mentioning the following items:

- (1) Code
- (2) Description
- (3) Q' ty

Note: No orders without Parts Code or Tool No. can be accepted.

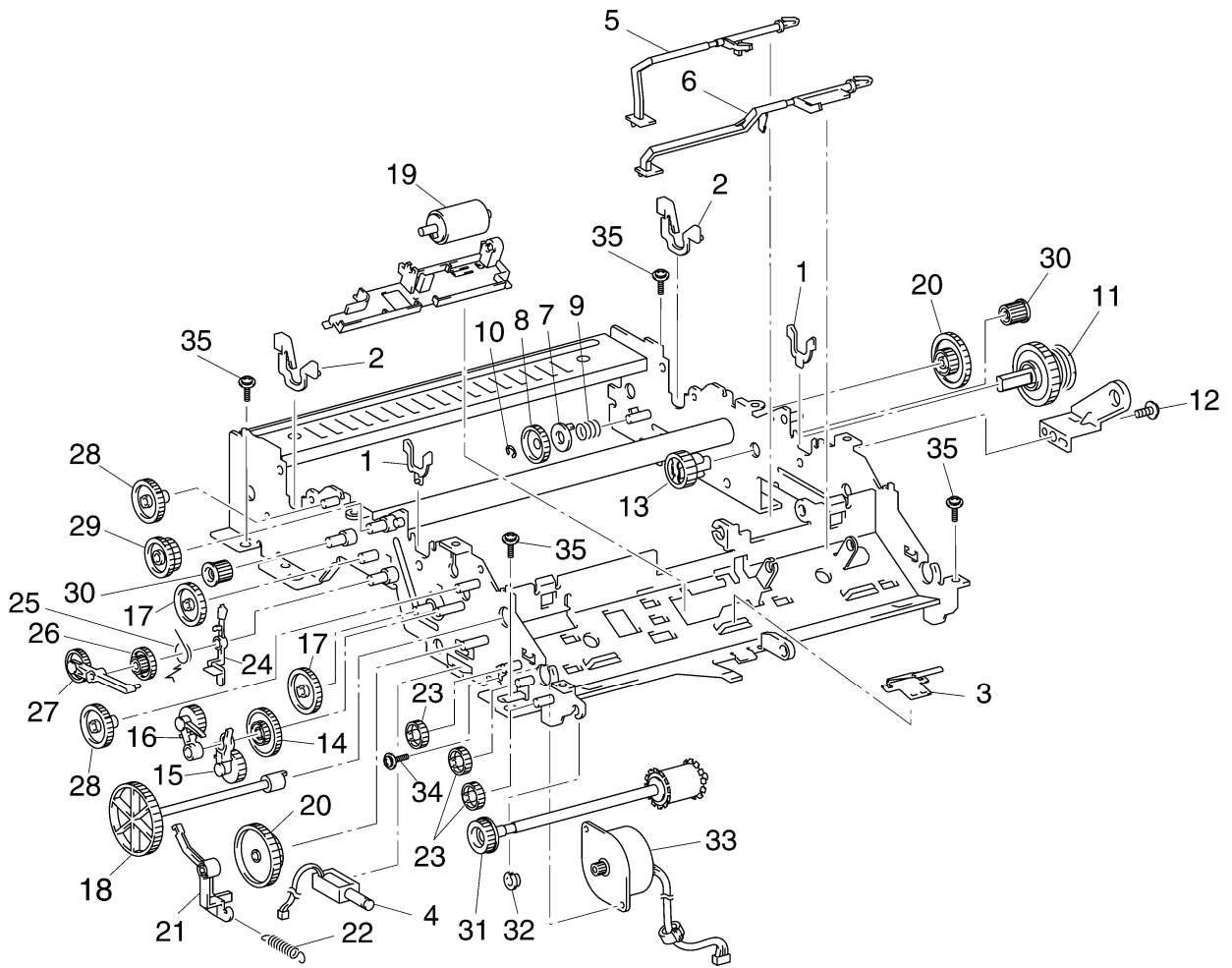
[Example]

REF.NO.	CODE	DESCRIPTION	Q' TY	REMARKS

2. Parts change will be informed by the technical information.

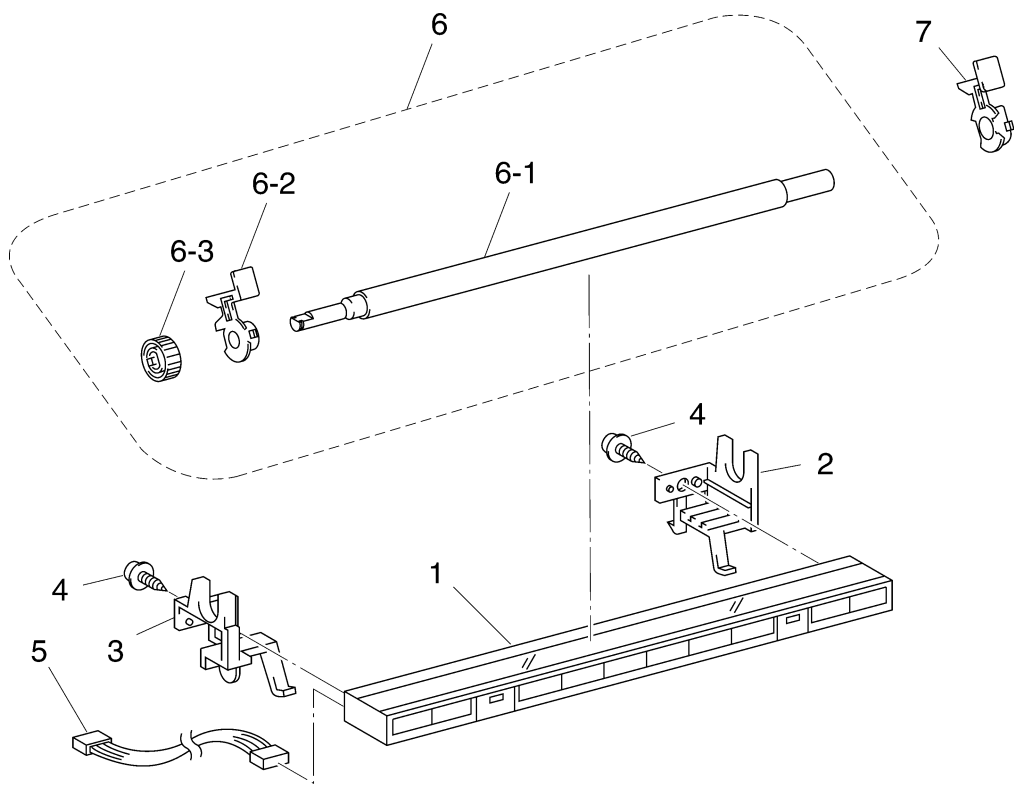
COUNTRIES

GERMANY ----- GER
UNITED KINGDOM ----- UK
NORWAY ---- NOR
SWITZERLAND ---- CHE
IRELAND ---- IRE
AUSTRIA ---- AUS
SPAIN ---- SPA
ITALY ---- ITA
SWEDEN ---- SWE



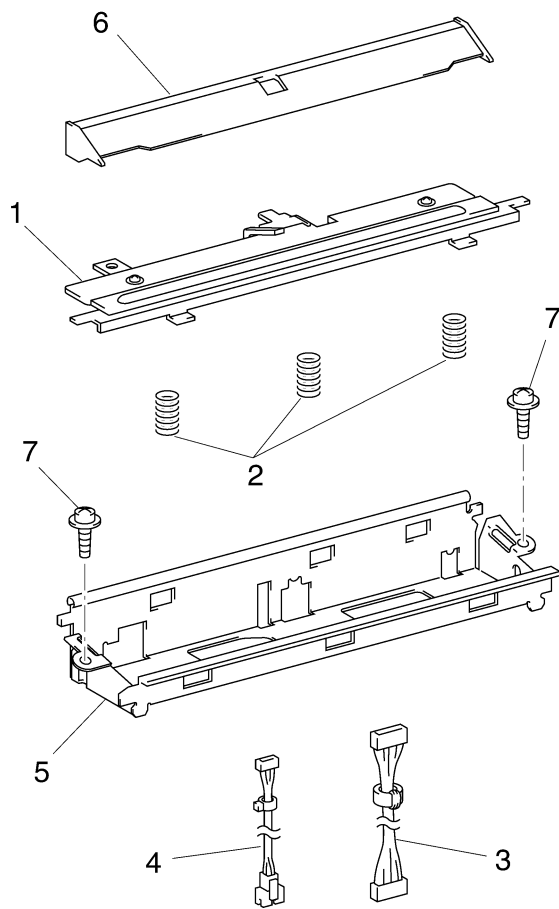
LIST1(MAIN FRAME)

REF.No	CODE	QTY	DESCRIPTION	RECOMMEND	REMARK
1	UF3665000	2	RIBBON BUSHING		
2	UF8013001	2	PAWLED RIBBON BUSHING B		
3	UF8041001	1	CIS LEAF SPRING		
4	UG3086001	1	SOLENOID		
5	UF8022001	1	DOCUMENT FRONT SENSOR ACTUATOR		
6	UF8024001	1	DOCUMENT REAR SENSOR ACTUATOR		
7	UF6067001	1	FRICTION PAD		
8	UF6069000	1	SLIP GEAR, 40		
9	UF8043001	1	BACK TENSION SPRING		
10	048030345	1	RETAINING RING, E3		
11	UF8023001	1	FRICTION TORQUE TRANSMISSION ASSY (GEAR,46 ASSY)		
12	U24014001	1	TAPTITE, CUP S M3X6		
13	UF8028001	1	GEAR,24		
14	UF8029001	1	GEAR,20/90		
15	UF8030001	1	ARM A ASSY		
16	UF8032001	1	ARM B ASSY		
17	UF8034001	2	GEAR,39		
18	UF8035001	1	SEPARATION ROLLER GEAR		
19	UF5511001	1	SEPARATION ROLLER		
20	UF8037001	2	GEAR,20/40		
21	UF8038001	1	CLUTCH LEVER		
22	UF6664001	1	SPRING, EXTENSION		
23	UF6616000	3	GEAR, 14/20		
24	UF8148001	1	COVER SENSOR ACTUATOR		
25	UF8149001	1	ACTUATOR SPRING		
26	UF8040001	1	GEAR,36/27		
27	UF8046001	1	ARM C ASSY		
28	UF8036001	2	GEAR,33		
29	UF8039001	1	GEAR,33/45		
30	UF8025001	2	GEAR,18		
31	UF8144001	1	DOCUMENT EJECTION ROLLER		
32	UF8146001	1	BUSHING		
33	Z27010001	1	MAIN MOTOR		chg
34	U24014002	1	TAPTITE, CUP S M3X6		CHG
35	087310815	4	TAPTITE, CUP B M3X8		



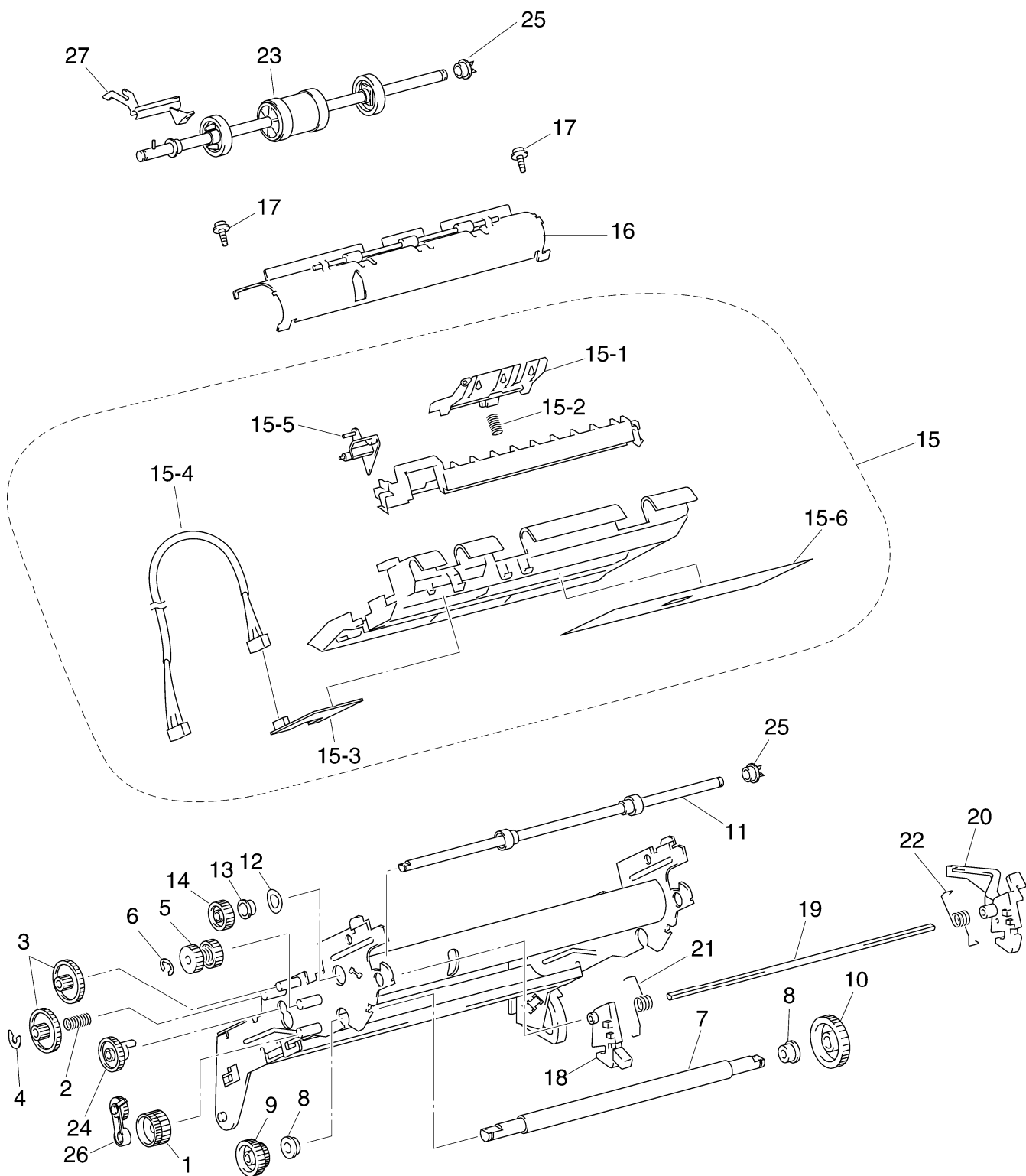
LIST2(SCANNER)

REF.No	CODE	Q'TY	DESCRIPTION	RECOMMEND	REMARK
1	LG2629001	1	CIS UNIT	√	
2	UF8578001	1	CIS HOLDER R		
3	LF3617001	1	CIS HOLDER L		CHG
4	087310815	2	TAPTITE, CUP B M3X8		
5	UG5013001	1	CIS-MAIN HARNESS		
6	UF8053001	1	WHITE PRESSURE ROLLER ASSY		
6-1	UF8054001	1	WHITE PRESSURE ROLLER		
6-2	UF8056001	1	BUSHING L		
6-3	UF8057001	1	WHITE PRESSURE ROLLER GEAR		
7	UF8058001	1	BUSHING R		



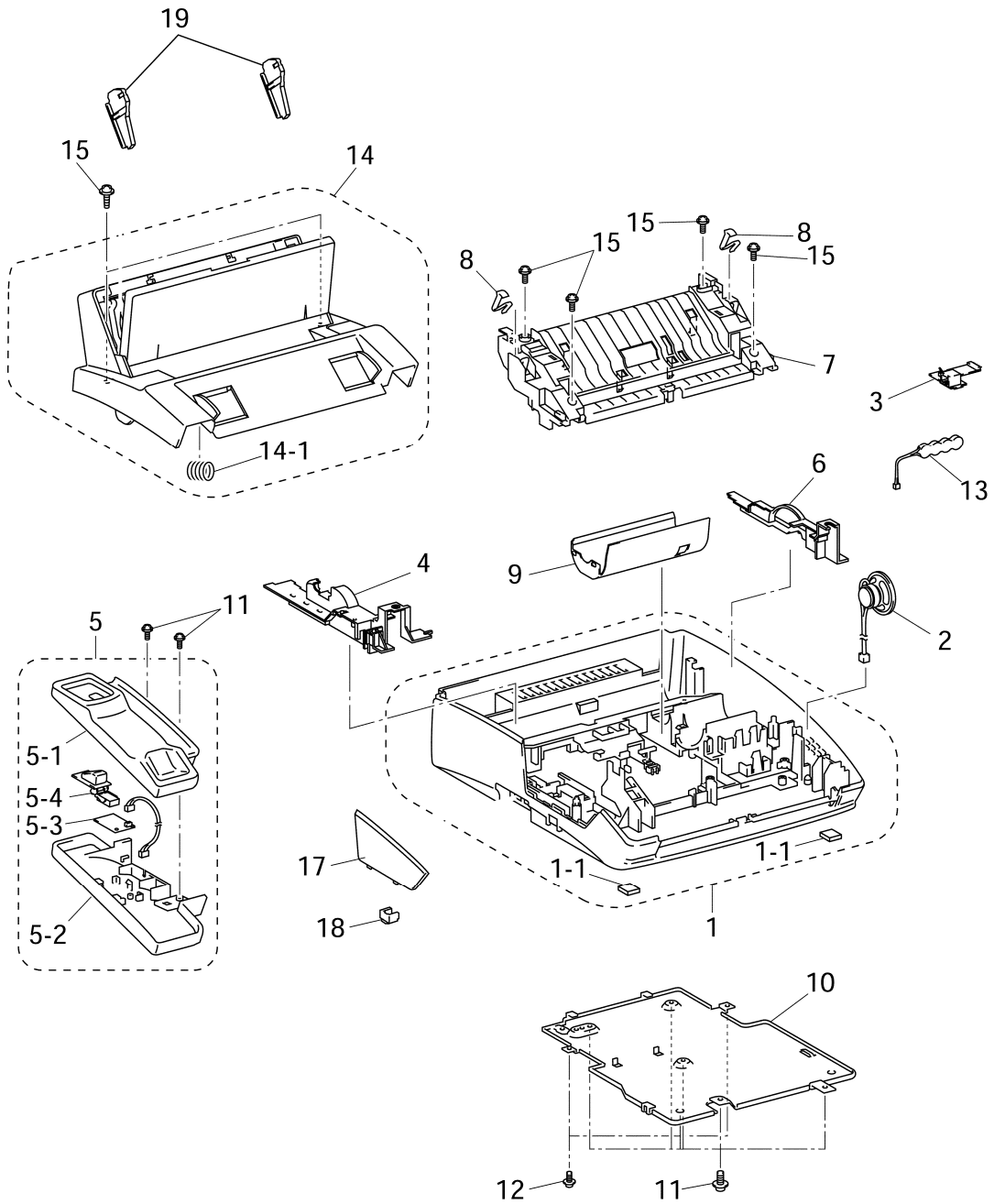
LIST3(RECORDING)

REF.No	CODE	Q.TY	DESCRIPTION	RECOMMEND	REMARK
1	LF8476001	1	RECORDING HEAD ASSY		chg
2	UF8072001	3	SPRING, COMPRESSION		
3	UG5009001	1	HEAD-MAIN HARNESS		
4	UG5010001	1	HEAD-POWER HARNESS		
5	UF8018001	1	RECORDER FRAME		
6	UF8073001	1	HEAD PROTECTION PLATE		
7	U24014002	2	TAPTITE, CUP S M3.0X6		CHG



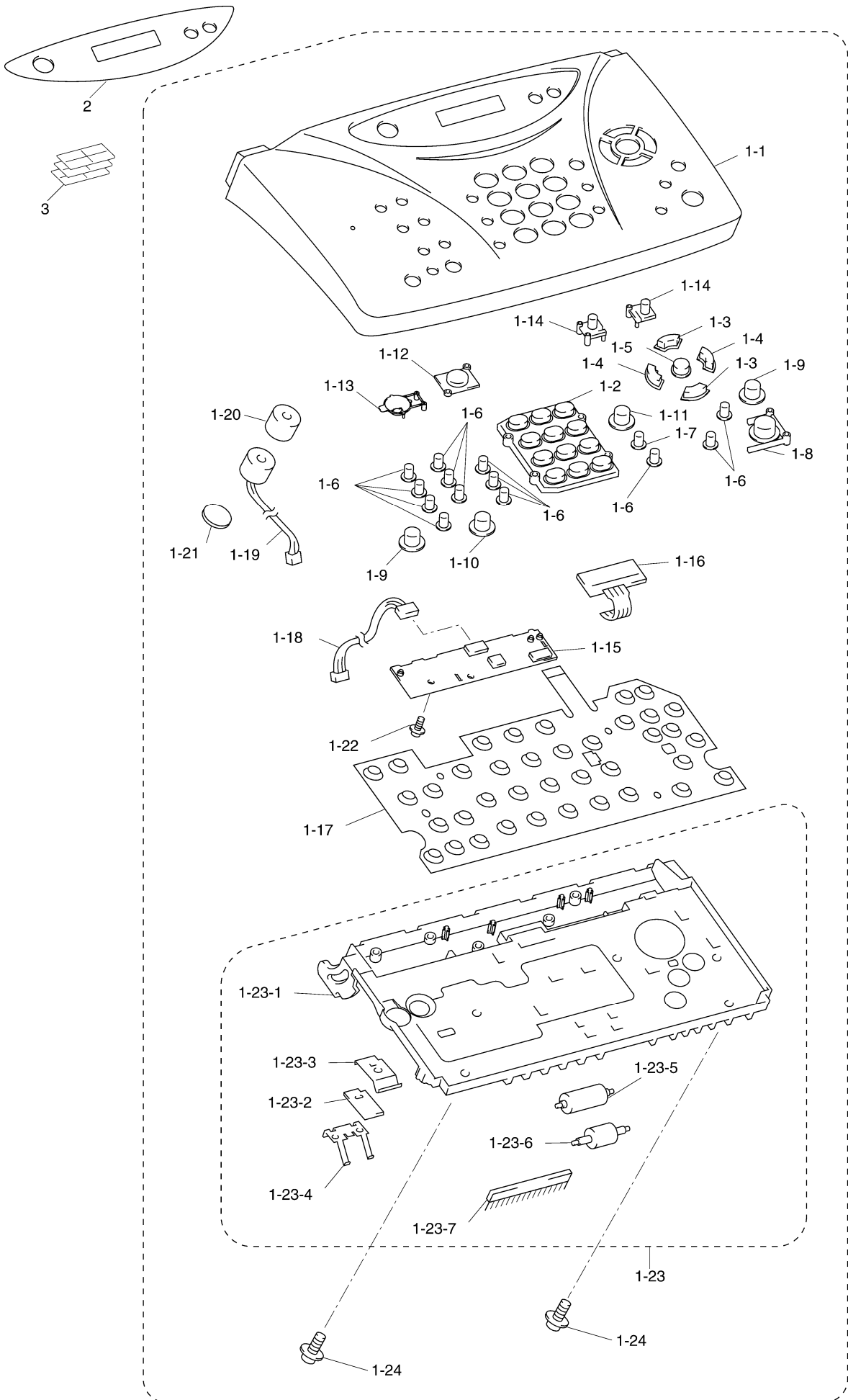
LIST4(PLATEN FRAME)

REF.No	CODE	QTY	DESCRIPTION	RECOMMEND	REMARK
1	UF8093001	1	GEAR, 39/24		
2	UF8087001	1	SPRING, COMPRESSION		
3	UF8094001	2	GEAR, 18/41		
4	UF8088001	1	PLASTIC RETAINING RING		
5	UF8076001	1	CLUTCH GEAR ASSY		
6	048030345	1	RETAINING RING, E3		
7	UF8095001	1	PLATEN		
8	UF8097002	2	BUSHING		
9	UF8098001	1	GEAR, 23		
10	UF8101001	1	GEAR, 33 RB		
11	UF0761001	1	PAPER EJECTION ROLLER		
12	UF8090001	1	CURVED WASHER		
13	UF8105002	1	BUSHING		
14	UF6048000	1	GEAR, 40		
15	LF3604001	1	PAPER FEED CHUTE ASSY		chg
15-1	LF3667001	1	SEPARATION PAD (SP)		chg
15-2	UL5184001	1	SPRING, COMPRESSION		
15-3	LG5392001	1	SENSOR PCB ASSY		chg
15-4	LG3964001	1	SENSOR-MAIN HARNESS		
15-5	UF8111001	1	PAPER-EDGE SENSOR ACTUATOR		
15-6	UF8139001	1	CHUTE FILM		
16	UF8086001	1	CHUTE ASSY		
17	087320815	2	TAPTITE, CUP S M3X8		
18	UF8504001	1	LOCK LEVER L		
19	UF8505001	1	LOCK LEVER SHAFT		
20	UF8506001	1	LOCK LEVER R		
21	UF8125001	1	ROCK SPRING L		
22	UF8126001	1	ROCK SPRING R		
23	LF3607001	1	PAPER FEED ROLLER ASSY		chg
24	UF8122001	1	GEAR, 55		
25	UF0026001	2	PAWLED BUSHING		
26	UF8123001	1	PLATEN GEAR, 34		
27	UF8118001	1	PAPER FRONT COVER SENSOR ACTUATOR		



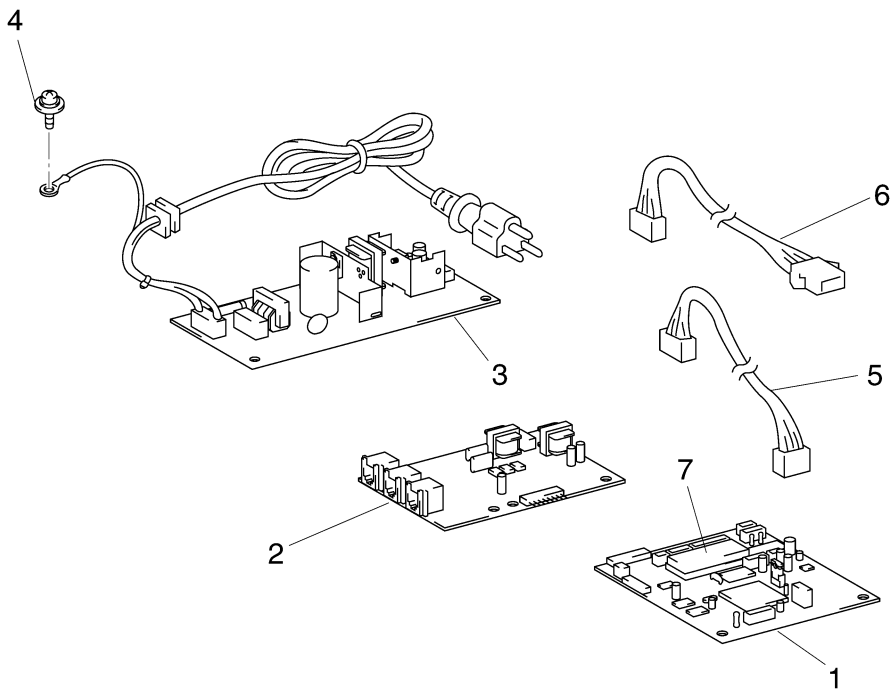
LIST5(COVER)

REF.No	CODE	Q'TY	DESCRIPTION	RECOMMEND	REMARK
1	LF1006001	1	MAIN COVER, PURPLE (6255)		
1-1	UF6761001	2	RUBBER		
2	LG2049001	1	SPEAKER ASSY, FAX1010e, FAX1020e		
2	LG2194001	1	SPEAKER ASSY, FAX1030e		
3	LG5393001	1	MODULAR PCB ASSY		chg
4	UF8147004	1	SIDE COVER L, BLACK		
5	UF8164006	1	HANDSET HOLDER ASSY, FAX1020e/1030e, PURPLE (6255)		
5-1	UF8165006	1	UPPER HANDSET HOLDER, FAX1020e/1030e, PURPLE (6255)		
5-2	UF8166006	1	LOWER HANDSET HOLDER, FAX1020e/1030e, PURPLE (6255)		
5-3	LG4419002	1	HOOK PCB ASSY, FAX1020e/1030e		CHG
5-4	UF8167006	1	ACTUATOR HOOK, FAX1020e/1030e, PURPLE (6255)		
6	UF8150004	1	SIDE COVER R, BLACK		
7	UF8143004	1	INNER COVER, BLACK		
8	UF5571001	2	SPRING PLATE, PANEL LOCK		
9	UF8151004	1	ROM COVER, GRAY (1267)		
10	UF8152001	1	BOTTOM PLATE		
11	087310815	8	TAPTITE, CUP B M3X8		
12	U24014002	2	TAPTITE, CUP S M3.0X6		chg
13	UG3732001	1	BATTERY, FAX1030e		
14	UF8153004	1	RECORDING PAPER COVER ASSY, GRAY (1495)		
14-1	UF4418001	1	SPRING, COMPRESSION		
15	087320815	6	TAPTITE, CUP S M3X8		
(16)	UU0456001	1	HEAD PROTECTION SHEET		
17	UF8256004	1	W/O HANDSET COVER, FAX1010e		
18	UF5745000	1	MJ COVER, EXT FOR GER/UK/AUS/ITA/SWE		
18	UF7095000	1	MJ COVER, 4P, FAX1010e		
19	UF8162004	2	SIDE GUIDE		



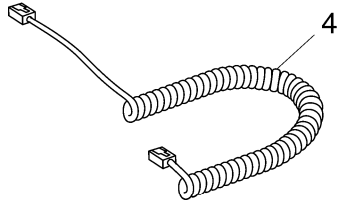
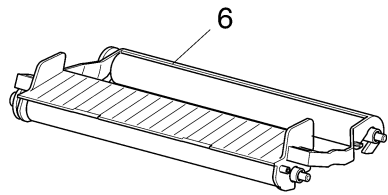
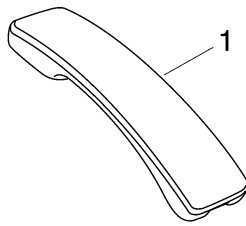
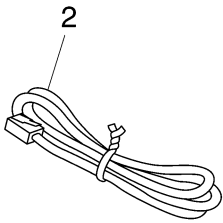
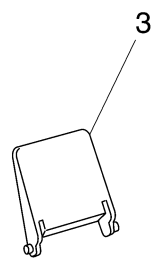
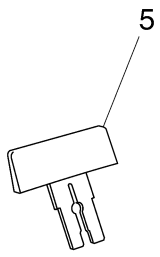
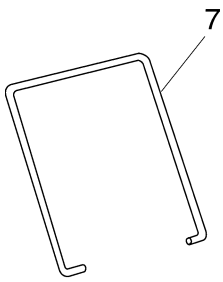
LIST6(CONTROL PANEL)

REF.No	CODE	Q'TY	DESCRIPTION	RECOMMEND	REMARK
1	LF1013001	1	CONTROL PANEL ASSY, FAX1010e FOR GER/AUS, GRAY (1495)	√	
1	LF1028001	1	CONTROL PANEL ASSY, FAX1030e FOR GER/AUS, GRAY (1495)	√	
1	LF1021001	1	CONTROL PANEL ASSY, FAX1020e FOR UK/CHE/IRE, GRAY (1495)	√	
1	LF1037001	1	CONTROL PANEL ASSY, FAX1030e FOR UK/IRE, GRAY (1495)	√	
1	LF1112001	1	CONTROL PANEL ASSY, FAX1020e FOR NOR, GRAY (1495)	√	
1	LF1103001	1	CONTROL PANEL ASSY, FAX1010e FOR CHE, GRAY (1495)	√	
1	LF1126001	1	CONTROL PANEL ASSY, FAX1020e FOR SPA, GRAY (1495)	√	
1	LF1142001	1	CONTROL PANEL ASSY, FAX1030e FOR SPA, GRAY (1495)	√	
1	LF1130001	1	CONTROL PANEL ASSY, FAX1020e FOR ITA, GRAY (1495)	√	
1	LF1146001	1	CONTROL PANEL ASSY, FAX1030e FOR ITA, GRAY (1495)	√	
1	LF1134001	1	CONTROL PANEL ASSY, FAX1020e FOR SWE, GRAY (1495)	√	
1-1	LF1017001	1	PRINTED PANEL ASSY, FAX1010e FOR GER/AUS, GRAY (1495)		
1-1	LF1099001	1	PRINTED PANEL ASSY, FAX1030e FOR GER/AUS, GRAY (1495)		
1-1	LF1098001	1	PRINTED PANEL ASSY, FAX1020e FOR UK/CHE/IRE, GRAY (1495)		
1-1	LF1097001	1	PRINTED PANEL ASSY, FAX1030e FOR UK/IRE, GRAY (1495)		
1-1	LF1115001	1	PRINTED PANEL ASSY, FAX1020e FOR NOR, GRAY (1495)		
1-1	LF1106001	1	PRINTED PANEL ASSY, FAX1010e FOR CHE, GRAY (1495)		
1-1	LF1129001	1	PRINTED PANEL ASSY, FAX1020e FOR SPA, GRAY (1495)		
1-1	LF1145001	1	PRINTED PANEL ASSY, FAX1030e FOR SPA, GRAY (1495)		
1-1	LF1133001	1	PRINTED PANEL ASSY, FAX1020e FOR ITA, GRAY (1495)		
1-1	LF1149001	1	PRINTED PANEL ASSY, FAX1030e FOR ITA, GRAY (1495)		
1-1	LF1137001	1	PRINTED PANEL ASSY, FAX1020e FOR SWE, GRAY (1495)		
1-2	LE4073003	1	KEY, TEN, GRAY (1495)		
1-3	LE6168001	2	KEY, CURSOR L, PURPLE (6255)		
1-4	LE6169001	2	KEY, CURSOR S, PURPLE (6255)		
1-5	LE6079001	1	KEY, PRINTED OVAL EXCEPT FOR GER/AUS, GRAY (1495)		
1-5	LE6350001	1	KEY, PRINTED OVAL FOR GER/AUS, GRAY (1495)		add
1-6	LE3295001	13	KEY, CYLINDER 6, GRAY (1495)		
1-7	LE3295002	1	KEY, CYLINDER 6, PURPLE (6255)		
1-8	LJ4285004	1	KEY, START, PURPLE (6255)		
1-9	LE6171001	2	KEY, CYLINDER9.5, GRAY (1495)		
1-10	LE6171002	1	KEY, CYLINDER9.5, GREEN (5159)		
1-11	LE6171004	1	KEY, CYLINDER9.5, PINK (2205)		
1-12	LE4579001	1	KEY, FLASH FOR FAX1030e		
1-13	LF1457001	1	SUPPORTER, FLASH KEY FOR FAX1030e		
1-14	LE4549003	2	KEY, REGISTER FOR FAX1030e, GRAY (1495)		
1-15	LG3786001	1	PANEL PCB ASSY FOR FAX1010e/1020e		
1-15	LG3789001	1	PANEL PCB ASSY FOR FAX1030e		
1-16	LG5341001	1	LCD		CHG
1-17	LG3651001	1	KEY, FPC		
1-18	LG3788001	1	PANEL-MAIN HARNESS		
1-19	UG5053001	1	MICROPHONE FOR FAX1030e		
1-20	UF6916001	1	MIC COVER FOR FAX1030e		
1-21	UF9993001	1	MIC RUBBER FOR FAX1030e		
1-22	087270615	1	SCREW, CUP B TITE 2.6X6		
1-23	LE5825001	1	PANEL REAR COVER ASSY		
1-23-1	LE5826001	1	PANEL REAR COVER		
1-23-2	UF5584000	1	SEPARATION RUBBER		
1-23-3	UF5585001	1	ADF SPRING PLATE		
1-23-4	UF5586001	1	SPRING PLATE, ADF FRONT		
1-23-5	UF5587001	1	PRESSURE ROLLER		
1-23-6	UF8257001	1	EJECTION ROLLER		
1-23-7	UF8285001	1	ANTI-STATIC BRUSH		
1-24	087310815	2	TAPTITE, CUP B M3X8		
2	LF1009001	1	LCD SHEET FOR FAX1010e	√	
2	LE5966001	1	LCD SHEET FOR FAX1020e	√	
2	LE5971001	1	LCD SHEET, FAX1030e FOR GER/AUS	√	
2	LE5967001	1	LCD SHEET, FAX1030e FOR UK/IRE	√	
2	LF1141001	1	LCD SHEET, FAX1030e FOR SPA	√	
2	LF1150001	1	LCD SHEET, FAX1030e FOR ITA	√	
3	LE5847001	1	ADDRESS LABEL		



LIST7(PCB)

REF.No	CODE	Q'TY	DESCRIPTION	RECOMMEND	REMARK
1	LG3967021	1	MAIN PCB SUB ASSY FOR FAX1010e /1020e	√	
1	LG3968031	1	MAIN PCB SUB ASSY FOR FAX1030e	√	
2	LG5401003	1	NCU PCB ASSY FOR GER/AUS	√	CHG
2	LG5402004	1	NCU PCB ASSY FOR UK/IRE	√	CHG
2	LG5402007	1	NCU PCB ASSY FOR NOR/SWE	√	CHG
2	LG5401010	1	NCU PCB ASSY FOR CHE	√	CHG
2	LG5401015	1	NCU PCB ASSY FOR SPA/ITA	√	CHG
3	LG5408001	1	POWER SUPPLY PCB ASSY (WITH AC CORD) FOR GER/NOR/AUS/SPA/ITA/SWE	√	chg
3	LG5409001	1	POWER SUPPLY PCB ASSY (WITH AC CORD) FOR UK/IRE	√	chg
3	LG5410001	1	POWER SUPPLY PCB ASSY (WITH AC CORD) FOR CHE	√	chg
4	LF1884001	1	SCREW, PAN (WASHER) M4X7DB		chg
5	UG5019001	1	POWER-MAIN HARNESS		
6	UG5051001	1	POWER-HEAD HARNESS		
7	LG0368003	1	OTPROM, FAX1010e FOR GER/AUS		
7	LG0373003	1	OTPROM, FAX1030e FOR GER/AUS		
7	LG0370004	1	OTPROM, FAX1020e FOR UK/IRE		
7	LG0373004	1	OTPROM, FAX1030e FOR UK/IRE		
7	LG0370007	1	OTPROM, FAX1020e FOR NOR		
7	LG0368010	1	OTPROM, FAX1010e FOR CHE		
7	LG0370010	1	OTPROM, FAX1020e FOR CHE		
7	LG0370015	1	OTPROM, FAX1020e FOR SPA		
7	LG0373015	1	OTPROM, FAX1030e FOR SPA		
7	LG0370016	1	OTPROM, FAX1020e FOR ITA		
7	LG0373016	1	OTPROM, FAX1030e FOR ITA		
7	LG0370026	1	OTPROM, FAX1020e FOR SWE		



LIST8(Accessories)

REF.No	CODE	QTY	DESCRIPTION	RECOMMEND	REMARK
1	LE5498010	1	HANDSET, GRAY (1495), FAX1020e/1030e		
2	UG3625001	1	TELEPHONE LINE CORD FOR GER		
2	UG3626001	1	TELEPHONE LINE CORD FOR UK		
2	UG3629001	1	TELEPHONE LINE CORD FOR NOR		
2	UG3469000	1	TELEPHONE LINE CORD FOR CHE		
2	LG3077001	1	TELEPHONE LINE CORD FOR IRE/SPA		
2	UG4205001	1	TELEPHONE LINE CORD FOR AUS		
2	UG3634001	1	TELEPHONE LINE CORD FOR ITA		
2	LG5827001	1	TELEPHONE LINE CORD FOR SWE		CHG
3	UF8048004	1	DOCUMENT SUPPORT, GRAY (1495)		
4	UL8019014	1	HANDSET CURLED CORD, GRAY (1495), FAX1020e/1030e		
5	UF8247004	1	RECORDING PAPER SUPPORT		
6	LF1018001	1	STARTER PRINTING CARTRIDGE (RIBBON CASSETTE UNIT)		
(6-1)	UF8245001	1	STARTER RIBBON		
7	UL6856000	1	TRAY EXTENSION		
(8)	UF2647001	1	CLNG KIT ASSY		
(9)	UF8263001	1	TEST CHART-027		
(10)	UF8997001	1	ADJUSTING SHEET, A		
(11)	LE0218001	1	EJECTION SUPPORT		
(12)	LG5830001	1	TELEPHONE PLUG FOR SWE		ADD

LIST9(PRINTED MATTER)

REF.No	CODE	Q'TY	DESCRIPTION	RECOMMEND	REMARK
(1)	LF3404003	1	OWNER'S MANUAL ASSY, FAX1010e FOR GER INCLUDING OWNER'S MANUAL, PAN EURO WARRANTY LEAFLET, TRAY EXTENSION, ADDRESS LABEL, 3YR GUARANTEE CARD	√	CHG
(1)	LF3396014	1	OWNER'S MANUAL ASSY, FAX1010e FOR AUS INCLUDING OWNER'S MANUAL, PAN EURO WARRANTY LEAFLET, TRAY EXTENSION, ADDRESS LABEL	√	ADD
(1)	LF3405003	1	OWNER'S MANUAL ASSY, FAX1030e FOR GER INCLUDING OWNER'S MANUAL, PAN EURO WARRANTY LEAFLET, TRAY EXTENSION, ADDRESS LABEL, 3YR GUARANTEE CARD	√	CHG
(1)	LF3397014	1	OWNER'S MANUAL ASSY, FAX1030e FOR AUS INCLUDING OWNER'S MANUAL, PAN EURO WARRANTY LEAFLET, TRAY EXTENSION, ADDRESS LABEL	√	ADD
(1)	LF1022004	1	OWNER'S MANUAL ASSY, FOR UK INCLUDING OWNER'S MANUAL, PAN EURO WARRANTY LEAFLET, 2 WARRANTY CARDS, TRAY EXTENSION, ADDRESS LABEL	√	
(1)	LF1116007	1	OWNER'S MANUAL ASSY, FOR NOR INCLUDING OWNER'S MANUAL, PAN EURO WARRANTY LEAFLET, WARRANTY CARD, TRAY EXTENSION, ADDRESS LABEL	√	
(1)	LF1107010	1	OWNER'S MANUAL ASSY, FOR CHE INCLUDING OWNER'S MANUAL, USER'S GUIDE, PAN EURO WARRANTY LEAFLET, WARRANTY CARD, TRAY EXTENSION, ADDRESS LABEL	√	
(1)	LF1119011	1	OWNER'S MANUAL ASSY, FOR IRE INCLUDING OWNER'S MANUAL, PAN EURO WARRANTY LEAFLET, WARRANTY CARD, TRAY EXTENSION, ADDRESS LABEL	√	
(1)	LF1120015	1	OWNER'S MANUAL ASSY, FOR SPA INCLUDING OWNER'S MANUAL, PAN EURO WARRANTY LEAFLET, WARRANTY CARD, TRAY EXTENSION, ADDRESS LABEL	√	
(1)	LF1122016	1	OWNER'S MANUAL ASSY, FOR ITA INCLUDING OWNER'S MANUAL, PAN EURO WARRANTY LEAFLET, TRAY EXTENSION, ADDRESS LABEL	√	
(1)	LF1138026	1	OWNER'S MANUAL ASSY, FOR SWE INCLUDING OWNER'S MANUAL, PAN EURO WARRANTY LEAFLET, WARRANTY CARD, TRAY EXTENSION, ADDRESS LABEL	√	
(1-1)	LF1010003	1	OWNER'S MANUAL, FAX1010e FOR GER/AUS		
(1-1)	LF1032003	1	OWNER'S MANUAL, FAX1030e FOR GER/AUS		
(1-1)	LF1023004	1	OWNER'S MANUAL, FOR UK/IRE		
(1-1)	LF1023007	1	OWNER'S MANUAL, FOR NOR		
(1-1)	LF1023010	1	OWNER'S MANUAL T3e-1, FOR CHE<GERMAN>		
(1-1)	LF1108010	1	USER'S GUIDE T3e-2, FOR CHE<FRENCH>		
(1-1)	LF1023015	1	OWNER'S MANUAL, FOR SPA		
(1-1)	LF1023016	1	OWNER'S MANUAL, FOR ITA		
(1-1)	LF1023026	1	OWNER'S MANUAL, FOR SWE		

LIST10(PACKING)

REF.No	CODE	Q'TY	DESCRIPTION	RECOMMEND	REMARK
(1)	LF1011001	1	CARTON, BROTHER, FAX1010e	√	
(1)	LF1024001	1	CARTON, BROTHER, FAX1020e	√	
(1)	LF1033001	1	CARTON, BROTHER, FAX1030e	√	
(2)	LE0369001	1	POLYSTYRENE FOAM ASSY		
(3)	LF0969001	1	PE BAG, 620X800H P		CHG
(4)	LF1012001	1	QUICK SETUP GUIDE, FAX1010e FOR GER/AUS		
(4)	LF1034001	1	QUICK SETUP GUIDE, FAX1020e FOR GER/AUS		
(4)	LF1025001	1	QUICK SETUP GUIDE, FOR UK/IRE		
(4)	LF1118007	1	QUICK SETUP GUIDE, FOR NOR		
(4)	LF1110010	1	QUICK SETUP GUIDE, FOR CHE<GERMAN>		
(4)	LF1111010	1	QUICK SETUP GUIDE, FOR CHE<FRENCH>		
(4)	LF1124001	1	QUICK SETUP GUIDE, FOR SPA		
(4)	LF1125001	1	QUICK SETUP GUIDE, FOR ITA		
(4)	LF1140001	1	QUICK SETUP GUIDE, FOR SWE		
(5)	163528001	1	SUFFOCATION CAUTION LABEL, FOR UK		

brother®