



**FACSIMILE EQUIPMENT**

**PARTS REFERENCE LIST**

**MODEL: FAX-8050P / FAX-8250P /  
MFC-9050 / MFC-9550**

## NOTES FOR USING THIS PARTS REFERENCE LIST

1. In the case of ordering parts, it needs mentioning the following items:

- (1) Code
- (2) Q' ty
- (3) Description

Note: No orders without Parts Code or Tool No. can be accepted.

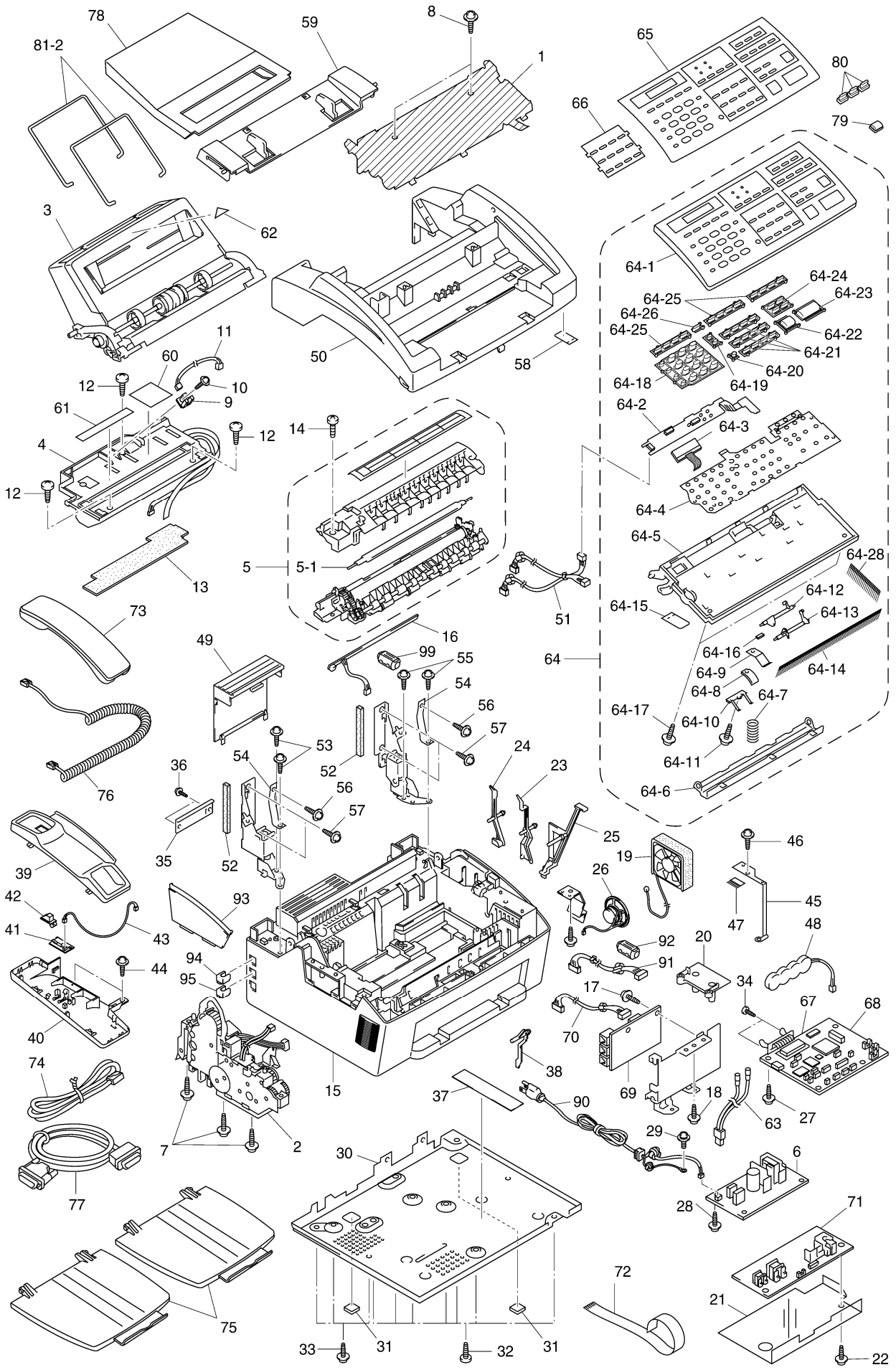
[Example]

REF.NO.	CODE	Q' TY	DESCRIPTION	REMARKS

2. Parts change will be informed by the technical information.

## COUNTRIES

GERMANY ----- GER  
UNITED KINGDOM ----- UK  
FRANCE ----- FRA  
NORWAY ----- NOR  
BELGIUM ----- BEL  
NETHERLANDS ----- NLD  
SWITZERLAND ----- CHE  
IRELAND ----- IRL  
FINLAND ----- FIN  
DENMARK ----- DEN  
AUSTRIA ----- AUS  
SPAIN ----- SPA  
ITALY ----- ITA  
SWEDEN ----- SWE  
GENERIC ----- GNR



REF.NO.	CODE	QTY	DESCRIPTION	REMARKS
<b>1</b>			<b>SCANNER FRAME ATTACHMENT</b>	
2	UU7123001	1	GEAR DRIVE UNIT	
3	UF7309003	1	MULTI-PURPOSE SHEET FEEDER, WHITE(1397) FOR FAX8050P/8250P	
3	UF7309004	1	MULTI-PURPOSE SHEET FEEDER, WHITE(1138) FOR MFC9050/9550	
4	UU7134001	1	LASER UNIT	
5	UU7442001	1	HEAT-FIXING UNIT, 240V	
5-1	UL6880001	1	FU LAMP, 240V	
(5-2)	UL6667001	1	THERMISTOR ASSY	
(5-3)	UL6681001	1	PINCH ROLLER ASSY	
(5-4)	UL6682001	4	PINCH ROLLER SPRING	
6	UG4557001	1	LOW-VOLTAGE POWER SUPPLY PCB ASSY, 230V(WITHOUT AC CORD)	
7	087412016	3	TAPTITE, CUP B M4X20	
8	087311016	2	TAPTITE, CUP B M3X10	
9	UG4220001	1	TONER SENSOR PCB ASSY	
10	087310815	1	TAPTITE, CUP B M3X8	
11	UG4635001	1	TONER SENSOR HARNESS	
12	085411215	3	TAPTITE, BIND B M4X12	
13	UU7043001	1	SCANNER SPONGE	
14	085411215	1	TAPTITE, BIND B M4X12	
15	UU7044002	1	MAIN COVER ASSY, WHITE(1397) FOR FAX8050P/8250P	
15	UU7044001	1	MAIN COVER ASSY, WHITE(1138) FOR MFC9050/9550	
16	UL6887001	1	EL BOARD	
17	087320616	1	TAPTITE, CUP S M3X6	
18	085411215	1	TAPTITE, BIND B M4X12	
19	UU7051001	1	FAN	
20	UU7054001	1	FAN SUPPORT	
21	UU7055001	1	INSULATION FILM	
22	085411215	1	TAPTITE, BIND B M4X12	
23	UU7056001	1	REGISTRATION SENSOR ACTUATOR	
24	UU7057001	1	SHEET FEEDER COVER SENSOR ACTUATOR	
25	UU7058001	1	TOP COVER SENSOR ACTUATOR	
26	UG4509001	1	SPEAKER	
27	085411215	1	TAPTITE, BIND B M4X12	
28	087320616	1	TAPTITE, CUP S M3X6	
29	UF6559001	1	SCREW, PAN (WASHER) M4X8DB	
30	UU7062001	1	BOTTOM PLATE	
31	UD4019001	2	RUBBER FOOT	
32	085411215	7	TAPTITE, BIND B M4X12	
33	087320616	3	TAPTITE, CUP S M3X6	
34	002300616	2	SCREW, PAN M3X6	
35	UU7064001	1	OPTION COVER	
36	0A5300805	2	SCREW, PAN (S/P WASHER) M3X8	
37	UU7322001	1	SPACER 30X145	
38	UL6717001	1	PAPER EJECTION SENSOR ACTUATOR	
39	UF8165003	1	UPPER HANDSET MOUNT, WHITE(1138) FOR MFC9550	
40	UF8166003	1	LOWER HANDSET MOUNT, WHITE(1138) FOR MFC9550	
41	UG5030001	1	HOOK SWITCH PCB ASSY FOR MFC9550	
42	UF8167003	1	ACTUATOR HOOK, WHITE(1138) FOR MFC9550	
43	UG4500001	1	HOOK SWITCH HARNESS FOR MFC9550	
44	087311016	2	TAPTITE, CUP B M3X10	
45	UU7065001	1	SCANNER GROUNDING PLATE	
46	087310815	1	TAPTITE, CUP B M3X8	
47	UF7676001	1	ANTI-STATIC BRUSH	
48	UG3732001	1	BATTERY ASSY	

REF.NO.	CODE	QTY	DESCRIPTION	REMARKS
			FOR FAX8250P, MFC9050 FOR FRA/BEL, MFC9550	
49	UU7006002	1	ROM COVER, WHITE(1397) FOR FAX8050P/8250P	
49	UU7006001	1	ROM COVER, WHITE(1138) FOR MFC9050/9550	
50	UU7001002	1	TOP COVER, WHITE(1397) FOR FAX8050P/8250P	
50	UU7001001	1	TOP COVER, WHITE(1138) FOR MFC9050/9550	
51	UG4502001	1	CIS & PANEL-MAIN HARNESSSES	
52	UU7168001	2	HARNESS SUPPORT SPONGE	
53	087411215	2	TAPTITE, CUP B M4X12	
54	UU7170001	2	TOP COVER STOPPER 12	
55	087411215	2	TAPTITE, CUP B M4X12	
56	087320616	2	TAPTITE, CUP S M3X6	
57	085411215	4	TAPTITE, BIND B M4X12	
58	UF7187001	1	SHIELD FILM	
59	UU7090002	1	DOCUMENT GUIDE BASE, WHITE(1397) FOR FAX8050P/8250P	
59	UU7090001	1	DOCUMENT GUIDE BASE, WHITE(1138) FOR MFC9050/9550	
60	UL6740001	1	LASER CAUTION LABEL	
61	UL6741001	1	TONER CAUTION LABEL	
62	----		NOT USED	
63	UG4634001	1	HEARTER HARNESS (BROWN AND BLUE WIRES)	
64	UU7525001	1	CONTROL PANEL ASSY, WHITE(1397) FOR FAX8050P	
64	UU7088001	1	CONTROL PANEL ASSY, WHITE(1397) FOR FAX8250P	
64	UU7148001	1	CONTROL PNAEL ASSY, WHITE(1138) FOR MFC9050	
64	UU7098001	1	CONTROL PANEL ASSY, WHITE(1138) FOR MFC9550	
64-1	UU7083001	1	CONTROL PANEL, WHITE(1397) FOR FAX8050P/8250P	
64-1	UU7003001	1	CONTROL PANEL, WHITE(1138) FOR MFC9050/9550	
64-2	UG4518001	1	CONTROL PANEL PCB ASSY FOR FAX8050P/8250P	
64-2	UG4519001	1	CONTROL PANEL PCB ASSY FOR MFC9050	
64-2	UG4517001	1	CONTROL PANEL PCB ASSY FOR MFC9550	
64-3	UG3062001	1	LCD FOR FAX8050P/8250P	
64-3	UG4552000	1	LCD FOR MFC9050/9550	
64-4	UG4553001	1	FPC KEY	
64-5	UU7004001	1	PANEL REAR COVER	
64-6	UU7101001	1	DOCUMENT PRESSURE BAR	
64-7	UU7147001	1	DOCUMENT PRESSURE BAR SPRING	
64-8	UU7521001	1	SEPARATION RUBBER	
64-9	UU7105001	1	ADF PLATE SPRING	
64-10	UU7106001	1	SPRING PLATE, ADF FRONT	
64-11	UF6116001	1	TAPTITE, PAN B M3X6	
64-12	UU7107001	1	DOCUMENT FRONT SENSOR ACTUATOR	
64-13	UU7108001	1	DOCUMENT REAR SENSOR ACTUATOR	
64-14	UU7505001	1	ANTI-STATIC BRUSH 1	
64-15	UF7187001	1	SHIELD FILM	
64-16	UU7285001	1	ANTI-VIBRATION RUBBER	
64-17	087310815	2	TAPTITE, CUP B M3X8	
64-18	UF4393011	1	KEY, TEL, WHITE(1397) FOR FAX8050P/8250P	
64-18	UF4393003	1	KEY, TEL, WHITE(1138) FOR MFC9050/9550	
64-19	UU7099002	1	KEY, VOLUME, WHITE(1397) FOR FAX8050P/8250P	
64-19	UU7099001	1	KEY, VOLUME, WHITE(1138) FOR MFC9050/9550	
64-20	UF4576007	1	KEY, SHIFT, WHITE(1397) FOR FAX8050P/8250P	
64-20	UF4576003	1	KEY, SHIFT, WHITE(1138) FOR MFC9050/9550	
64-21	UF8176002	3	KEY, ONE TOUCH, WHITE(1397) FOR FAX8050P/8250P	
64-21	UF8176003	3	KEY, ONE TOUCH, WHITE(1138) FOR MFC9050/9550	
64-22	UF8173002	1	KEY, STOP, ORANGE(3172)	
64-23	UF8172004	1	KEY, START, BLUE(6238)	

REF.NO.	CODE	QTY	DESCRIPTION	REMARKS
64-24	UU7100002	1	KEY, COPY 2, WHITE(1397) FOR FAX8250P	
64-24	UU7100001	1	KEY, COPY 2, WHITE(1138) FOR MFC9050/9550	
64-25	UF9118004	2	KEY, FUNCTION 1, WHITE(1397) FOR FAX8050P/8250P	
64-25	UF9118001	3	KEY, FUNCTION 1, WHITE(1138) FOR MFC9050/9550	
64-26	UF5581008	1	KEY, FUNCTION 2, WHITE(1397) FOR FAX8050P/8250P	
64-26	UF5581005	1	KEY, FUNCTION 2, WHITE(1138) FOR MFC9050/9550	
64-27	----		NOT USED	
64-28	UU7506001	1	ANTI-STATIC BRUSH 2	
65	UU7519001	1	PANEL SHEET, FAX8050P FOR GER	
65	UU7222001	1	PANEL SHEET, FAX8250P FOR GER/AUS	
65	UU7223001	1	PANEL SHEET, FAX8250P FOR UK/CHE/IRL	
65	UU7224001	1	PANEL SHEET, FAX8250P FOR FRA	
65	UU7225001	1	PANEL SHEET, FAX8250P FOR NOR	
65	UU7226001	1	PANEL SHEET, FAX8250P FOR BEL	
65	UU7405001	1	PANEL SHEET, FAX8250P FOR DEN	
65	UU7228001	1	PANEL SHEET, FAX8250P FOR SWE	
65	UU7181001	1	PANEL SHEET, MFC9050 FOR GER/AUS	
65	UU7183001	1	PANEL SHEET, MFC9050 FOR UK/CHE/IRL/GNR	
65	UU7184001	1	PANEL SHEET, MFC9050 FOR FRA	
65	UU7185001	1	PANEL SHEET, MFC9050 FOR NOR	
65	UU7186001	1	PANEL SHEET, MFC9050 FOR BEL	
65	UU7187001	1	PANEL SHEET, MFC9050 FOR NLD	
65	UU7304001	1	PANEL SHEET, MFC9050 FOR FIN	
65	UU7312001	1	PANEL SHEET, MFC9050 FOR DEN	
65	UU7316001	1	PANEL SHEET, MFC9050 FOR SPA	
65	UU7320001	1	PANEL SHEET, MFC9050 FOR ITA	
65	UU7189001	1	PANEL SHEET, MFC9050 FOR SWE	
65	UU7323001	1	PANEL SHEET, MFC9550 FOR GER	
65	UU7324001	1	PANEL SHEET, MFC9550 FOR UK/CHE	
65	UU7325001	1	PANEL SHEET, MFC9550 FOR FRA	
65	UU7326001	1	PANEL SHEET, MFC9550 FOR NOR	
65	UU7327001	1	PANEL SHEET, MFC9550 FOR BEL	
65	UU7328001	1	PANEL SHEET, MFC9550 FOR NLD	
65	UU7329001	1	PANEL SHEET, MFC9550 FOR FIN	
65	UU7363001	1	PANEL SHEET, MFC9550 FOR SPA	
65	UU7330001	1	PANEL SHEET, MFC9550 FOR ITA	
65	UU7331001	1	PANEL SHEET, MFC9550 FOR SWE	
66	UU7139002	1	ADDRESS LABEL, WHITE(1397) FOR FAX8050P/8250P	
66	UU7139001	1	ADDRESS LABEL, WHITE(1138) FOR MFC9050/9550	
67	UG4633001	1	MASK ROM:PCL/LAN-A, FAX8250P/MFC9050 FOR BEL AND MFC9550	
67	UG4687001	1	MASK ROM:FAX8050P FOR GER	
67	UG4686001	1	MASK ROM:FAX8250P/MFC9050 FOR GER/AUS	
67	LH7009001	1	MASK ROM:FAX8250P FOR NOR/CHE/IRL/DEN/SWE, MFC9050 FOR NOR/NLD/CHE/IRL/FIN/DEN/ITA/SWE	
68	UG4583001	1	MAIN PCB ASSY, FAX8250P FOR UK/FRA/BEL, MFC9050 FOR FRA/BEL (w/ FLASH)	
68	UG4684001	1	MAIN PCB ASSY, FAX8250P FOR GER/NOR/IRL/DEN/AUS/SWE (w/o FLASH)	
68	UG4685001	1	MAIN PCB ASSY, FAX8250P FOR CHE (w/o FLASH)	
68	UG4573001	1	MAIN PCB ASSY, MFC9050 FOR UK/SPA/GNR (w/ FLASH)	
68	UG4682001	1	MAIN PCB ASSY, FAX8050P, MFC9050 FOR GER/NOR/NLD/IRL/FIN/DEN/AUS/ITA/SWE (w/o FLASH)	
68	UG4683001	1	MAIN PCB ASSY, MFC9050 FOR CHE (w/o FLASH)	

REF.NO.	CODE	QTY	DESCRIPTION	REMARKS
68	UG4574001	1	MAIN PCB ASSY, MFC9550 FOR GER/UK/FRA/NOR/BEL/FIN/SPA/ITA/SWE (w/ FLASH)	
68	UG4663001	1	MAIN PCB ASSY, MFC9550 FOR NLD (w/ FLASH)	
68	UG4655001	1	MAIN PCB ASSY, MFC9550 FOR CHE (w/ FLASH)	
69	UG4585003	1	NCU PCB ASSY FOR GER	
69	UG4586004	1	NCU PCB ASSY FOR UK/GNR	
69	UG4590005	1	NCU PCB ASSY FOR FRA	
69	UG4587007	1	NCU PCB ASSY FOR NOR	
69	UG4588008	1	NCU PCB ASSY FOR BEL	
69	UG4589009	1	NCU PCB ASSY FOR NLD	
69	UG4585010	1	NCU PCB ASSY FOR CHE	
69	UG4587011	1	NCU PCB ASSY FOR IRL	
69	UG4588012	1	NCU PCB ASSY FOR FIN	
69	UG4588013	1	NCU PCB ASSY FOR DEN	
69	UG4588014	1	NCU PCB ASSY FOR AUS	
69	UG4644015	1	NCU PCB ASSY FOR SPA	
69	UG4588016	1	NCU PCB ASSY FOR ITA	
69	UG4586026	1	NCU PCB ASSY FOR SWE	
(69-1)	UG6776000	1	ARRESTER:RA102 (LOCATION:A1)	
(69-2)	UG6775000	1	ARRESTER:RA311 (LOCATION:A2)	
(69-3)	UG6798000	2	PHOTO COUPLER:TLP621 (LOCATION:PH2,PH4)	
(69-4)	UG3272000	1	IC:THS-65 (LOCATION:T3)	
(69-5)	-----		NOT USED	
(69-6)	-----		NOT USED	
70	UG4505001	1	NCU HARNESS	
71	UG4527001	1	HIGH-VOLTAGE POWER SUPPLY PCB ASSY	
72	UG4507001	1	HV FLAT CABLE 12	
73	UF6857003	1	HANDSET, WHITE(1138), MFC9550 FOR GER/FRA/NOR/BEL/NLD/CHE/FIN/SPA/ITA/SWE	
73	UU0281003	1	HANDSET, WHITE(1138), MFC9550 FOR UK	
74	UG3625001	1	TELEPHONE LINE CORD FOR GER	
74	UG3626001	1	TELEPHONE LINE CORD FOR UK	
74	UG3627001	1	TELEPHONE LINE CORD FOR FRA	
74	UG3629001	1	TELEPHONE LINE CORD FOR NOR	
74	UG1575001	1	TELEPHONE LINE CORD FOR BEL	
74	UG3631001	1	TELEPHONE LINE CORD FOR NLD	
74	UG3469000	1	TELEPHONE LINE CORD FOR CHE	
74	UG1570001	1	TELEPHONE LINE CORD FOR IRL/SPA/GNR	
74	UG3632001	1	TELEPHONE LINE CORD FOR FIN	
74	UG3633001	1	TELEPHONE LINE CORD FOR DEN	
74	UG4205001	1	TELEPHONE LINE CORD FOR AUS	
74	UG3634001	1	TELEPHONE LINE CORD FOR ITA	
74	UG3635001	1	TELEPHONE LINE CORD FOR SWE	
75	UU7114002	2	PAPER EJECTION TRAY, WHITE(1397) FOR FAX8050P/8250P	
75	UU7114001	2	PAPER EJECTION TRAY, WHITE(1138) FOR MFC9050/9550	
76	UL8019009	1	HANDSET CURLED CORD, WHITE(1255) FOR MFC9550	
77	UG4558001	1	I/F CABLE, MFC9050/9550 FOR GER/UK/AUS	
78	UU7117001	1	DUST COVER	
79	UU7110002	1	KEY, COPY 1, WHITE(1397) FOR FAX8050P/8250P	
79	UU7110001	1	KEY, COPY 1, WHITE(1138) FOR MFC9050/9550	
80	UU7111001	3	KEY, MC, WHITE(1138) FOR MFC9550	
(81)	UU7237001	1	OWNER'S MANUAL ASSY, FAX8050P/8250P FOR GER/AUS (INCLUDING OWNER'S MANUAL(REF.NO.81-1), WARRANTY CARD AND TRAY EXTENSION ASSY(REF.NO.81-2))	

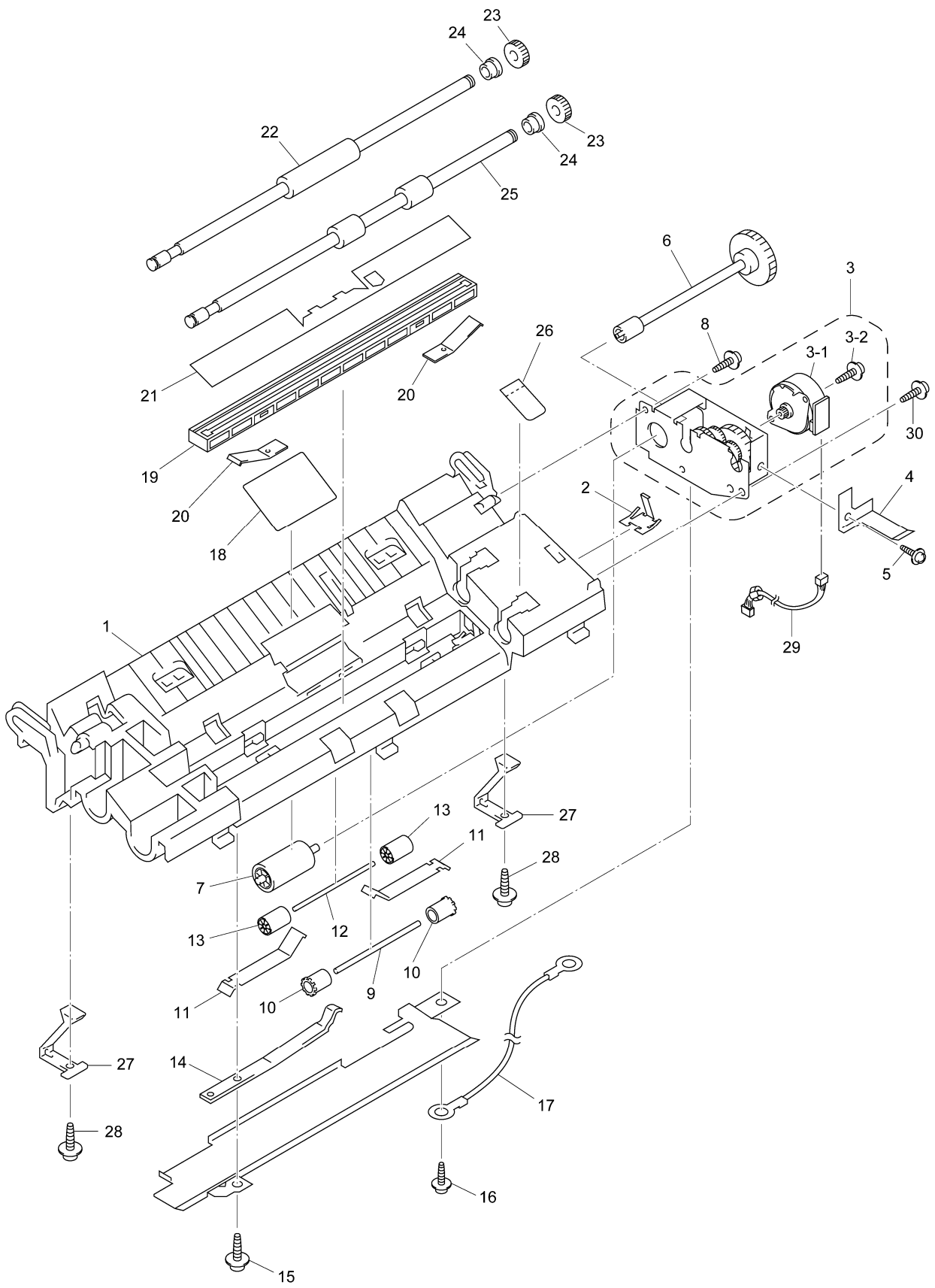
REF.NO.	CODE	QTY	DESCRIPTION	REMARKS
(81)	UU7238001	1	OWNER'S MANUAL ASSY, FAX8250P FOR UK (INCLUDING OWNER'S MANUAL(REF.NO.81-1), 3 WARRANTY CARDS, CAUTION LABEL AND TRAY EXTENSION ASSY(REF.NO.81-2))	
(81)	UU7239001	1	OWNER'S MANUAL ASSY, FAX8250P FOR FRA (INCLUDING OWNER'S MANUAL(REF.NO.81-1), 2 WARRANTY CARDS AND TRAY EXTENSION (REF.NO.81-2))	
(81)	UU7240001	1	OWNER'S MANUAL ASSY, FAX8250P FOR NOR (INCLUDING OWNER'S MANUAL(REF.NO.81-1), 2 WARRANTY CARDS AND TRAY EXTENSION (REF.NO.81-2))	
(81)	UU7241001	1	OWNER'S MANUAL ASSY, FAX8250P FOR BEL (INCLUDING 2 OWNER'S MANUALS(REF.NO.81-1), WARRANTY CARD AND TRAY EXTENSION ASSY(REF.NO.81-2))	
(81)	UU7242001	1	OWNER'S MANUAL ASSY, FAX8250P FOR CHE (INCLUDING 2 OWNER'S MANUALS(REF.NO.81-1), WARRANTY CARD AND TRAY EXTENSION ASSY(REF.NO.81-2))	
(81)	UU7400001	1	OWNER'S MANUAL ASSY, FAX8250P FOR IRL (INCLUDING OWNER'S MANUAL(REF.NO.81-1), WARRANTY CARD AND TRAY EXTENSION ASSY(REF.NO.81-2))	
(81)	UU7406001	1	OWNER'S MANUAL ASSY, FAX8250P FOR DEN (INCLUDING OWNER'S MANUAL(REF.NO.81-1), WARRANTY CARD AND TRAY EXTENSION ASSY(REF.NO.81-2))	
(81)	UU7243001	1	OWNER'S MANUAL ASSY, FAX8250P FOR SWE (INCLUDING OWNER'S MANUAL(REF.NO.81-1), WARRANTY CARD AND TRAY EXTENSION ASSY(REF.NO.81-2))	
(81)	UU7190001	1	OWNER'S MANUAL ASSY, MFC9050 FOR GER/AUS (INCLUDING OWNER'S MANUAL(REF.NO.81-1), WARRANTY CARD AND TRAY EXTENSION ASSY(REF.NO.81-2))	
(81)	UU7191001	1	OWNER'S MANUAL ASSY, MFC9050 FOR UK (INCLUDING OWNER'S MANUAL(REF.NO.81-1), 3 WARRANTY CARDS, CAUTION LABEL AND TRAY EXTENSION ASSY(REF.NO.81-2))	
(81)	UU7192001	1	OWNER'S MANUAL ASSY, MFC9050 FOR FRA (INCLUDING OWNER'S MANUAL(REF.NO.81-1), 2 WARRANTY CARDS AND TRAY EXTENSION (REF.NO.81-2))	
(81)	UU7193001	1	OWNER'S MANUAL ASSY, MFC9050 FOR NOR (INCLUDING OWNER'S MANUAL(REF.NO.81-1), 2 WARRANTY CARDS AND TRAY EXTENSION (REF.NO.81-2))	
(81)	UU7194001	1	OWNER'S MANUAL ASSY, MFC9050 FOR BEL (INCLUDING 2 OWNER'S MANUALS(REF.NO.81-1), WARRANTY CARD AND TRAY EXTENSION ASSY(REF.NO.81-2))	
(81)	UU7195001	1	OWNER'S MANUAL ASSY, MFC9050 FOR NLD (INCLUDING OWNER'S MANUAL(REF.NO.81-1), 2 WARRANTY CARDS AND TRAY EXTENSION (REF.NO.81-2))	
(81)	UU7196001	1	OWNER'S MANUAL ASSY, MFC9050 FOR CHE (INCLUDING 2 OWNER'S MANUALS(REF.NO.81-1), WARRANTY CARD AND TRAY EXTENSION ASSY(REF.NO.81-2))	
(81)	UU7301001	1	OWNER'S MANUAL ASSY, MFC9050 FOR IRL (INCLUDING OWNER'S MANUAL(REF.NO.81-1), WARRANTY CARD AND TRAY EXTENSION ASSY(REF.NO.81-2))	
(81)	UU7305001	1	OWNER'S MANUAL ASSY, MFC9050 FOR FIN (INCLUDING OWNER'S MANUAL(REF.NO.81-1) AND TRAY EXTENSION ASSY(REF.NO.81-2))	
(81)	UU7313001	1	OWNER'S MANUAL ASSY, MFC9050 FOR DEN	



REF.NO.	CODE	QTY	DESCRIPTION	REMARKS
(81)	UU7318001	1	(INCLUDING OWNER'S MANUAL(REF.NO.81-1), WARRANTY CARD AND TRAY EXTENSION ASSY(REF.NO.81-2)) OWNER'S MANUAL ASSY, MFC9050 FOR SPA	
(81)	UU7321001	1	(INCLUDING OWNER'S MANUAL(REF.NO.81-1), WARRANTY CARD AND TRAY EXTENSION ASSY(REF.NO.81-2)) OWNER'S MANUAL ASSY, MFC9050 FOR ITA	
(81)	UU7197001	1	(INCLUDING OWNER'S MANUAL(REF.NO.81-1), WARRANTY CARD AND TRAY EXTENSION ASSY(REF.NO.81-2)) OWNER'S MANUAL ASSY, MFC9050 FOR SWE	
(81)	UU7443001	1	(INCLUDING OWNER'S MANUAL(REF.NO.81-1), 2 WARRANTY CARDS AND TRAY EXTENSION (REF.NO.81-2)) OWNER'S MANUAL ASSY, MFC9050 FOR GNR	
(81)	UU7348001	1	(INCLUDING OWNER'S MANUAL(REF.NO.81-1) AND TRAY EXTENSION ASSY(REF.NO.81-2)) OWNER'S MANUAL ASSY, MFC9550 FOR GER	
(81)	UU7349001	1	(INCLUDING OWNER'S MANUAL(REF.NO.81-1), MULTI FUNCTION LINK MANUAL(REF.NO.81-3), WARRANTY CARD AND TRAY EXTENSION ASSY(REF.NO.81-2)) OWNER'S MANUAL ASSY, MFC9550 FOR UK	
(81)	UU7350001	1	(INCLUDING OWNER'S MANUAL(REF.NO.81-1), MULTI FUNCTION LINK MANUAL(REF.NO.81-3), 2 WARRANTY CARDS AND TRAY EXTENSION ASSY(REF.NO.81-2)) OWNER'S MANUAL ASSY, MFC9550 FOR FRA	
(81)	UU7351001	1	(INCLUDING OWNER'S MANUAL(REF.NO.81-1), MULTI FUNCTION LINK MANUAL(REF.NO.81-3), 2 WARRANTY CARDS AND TRAY EXTENSION ASSY(REF.NO.81-2)) OWNER'S MANUAL ASSY, MFC9550 FOR NOR	
(81)	UU7352001	1	(INCLUDING 2 OWNER'S MANUALS(REF.NO.81-1), MULTI FUNCTION LINK MANUAL(REF.NO.81-3), WARRANTY CARD AND TRAY EXTENSION ASSY(REF.NO.81-2)) OWNER'S MANUAL ASSY, MFC9550 FOR BEL	
(81)	UU7353001	1	(INCLUDING OWNER'S MANUAL(REF.NO.81-1), MULTI FUNCTION LINK MANUAL(REF.NO.81-3), 2 WARRANTY CARDS AND TRAY EXTENSION ASSY(REF.NO.81-2)) OWNER'S MANUAL ASSY, MFC9550 FOR NLD	
(81)	UU7354001	1	(INCLUDING 2 OWNER'S MANUALS(REF.NO.81-1), MULTI FUNCTION LINK MANUAL(REF.NO.81-3), WARRANTY CARD AND TRAY EXTENSION ASSY(REF.NO.81-2)) OWNER'S MANUAL ASSY, MFC9550 FOR CHE	
(81)	UU7355001	1	(INCLUDING OWNER'S MANUAL(REF.NO.81-1), MULTI FUNCTION LINK MANUAL(REF.NO.81-3) AND TRAY EXTENSION ASSY(REF.NO.81-2)) OWNER'S MANUAL ASSY, MFC9550 FOR FIN	
(81)	UU7356001	1	(INCLUDING OWNER'S MANUAL(REF.NO.81-1), MULTI FUNCTION LINK MANUAL(REF.NO.81-3), WARRANTY CARD AND TRAY EXTENSION ASSY(REF.NO.81-2)) OWNER'S MANUAL ASSY, MFC9550 FOR SPA	
(81)	UU7357001	1	(INCLUDING OWNER'S MANUAL(REF.NO.81-1), MULTI FUNCTION LINK MANUAL(REF.NO.81-3), WARRANTY CARD AND TRAY EXTENSION ASSY(REF.NO.81-2)) OWNER'S MANUAL ASSY, MFC9550 FOR ITA	

REF.NO.	CODE	QTY	DESCRIPTION	REMARKS
(81)	UU7358001	1	WARRANTY CARD AND TRAY EXTENSION ASSY(REF.NO.81-2) OWNER'S MANUAL ASSY, MFC9550 FOR SWE (INCLUDING OWNER'S MANUAL(REF.NO.81-1), MULTI FUNCTION LINK MANUAL(REF.NO.81-3), 2 WARRANTY CARDS AND TRAY EXTENSION ASSY(REF.NO.81-2))	
(81-1)	UU7244003	1	OWNER'S MANUAL, FAX8050P/8250P-1 FOR GER/AUS	
(81-1)	UU7244004	1	OWNER'S MANUAL, FAX8250P-1 FOR UK	
(81-1)	UU7244005	1	OWNER'S MANUAL, FAX8250P-1 FOR FRA	
(81-1)	UU7244007	1	OWNER'S MANUAL, FAX8250P-1 FOR NOR	
(81-1)	UU7244008	1	OWNER'S MANUAL, FAX8250P-1 FOR BEL (DUTCH)	
(81-1)	UU7244010	1	OWNER'S MANUAL, FAX8250P-1 FOR CHE (GERMAN)	
(81-1)	UU7244004	1	OWNER'S MANUAL, FAX8250P-1 FOR IRL	
(81-1)	UU7244013	1	OWNER'S MANUAL, FAX8250P-1 FOR DEN	
(81-1)	UU7244026	1	OWNER'S MANUAL, FAX8250P-1 FOR SWE	
(81-1)	UU7201008	1	OWNER'S MANUAL, FAX8250P-2 FOR BEL/CHE (FRENCH)	
(81-1)	UU7198003	1	OWNER'S MANUAL, MFC9050-1 FOR GER/AUS	
(81-1)	UU7198004	1	OWNER'S MANUAL, MFCF9050/9550-1 FOR UK	
(81-1)	UU7198005	1	OWNER'S MANUAL, MFCF9050/9550-1 FOR FRA	
(81-1)	UU7198007	1	OWNER'S MANUAL, MFCF9050/9550-1 FOR NOR	
(81-1)	UU7198008	1	OWNER'S MANUAL, MFCF9050/9550-1 FOR BEL (DUTCH)	
(81-1)	UU7198009	1	OWNER'S MANUAL, MFCF9050/9550-1 FOR NLD	
(81-1)	UU7198010	1	OWNER'S MANUAL, MFCF9050/9550-1 FOR CHE (GERMAN)	
(81-1)	UU7198004	1	OWNER'S MANUAL, MFCF9050-1 FOR IRL	
(81-1)	UU7198012	1	OWNER'S MANUAL, MFCF9050/9550-1 FOR FIN	
(81-1)	UU7198013	1	OWNER'S MANUAL, MFCF9050-1 FOR DEN	
(81-1)	UU7198015	1	OWNER'S MANUAL, MFCF9050/9550-1 FOR SPA	
(81-1)	UU7198016	1	OWNER'S MANUAL, MFCF9050/9550-1 FOR ITA	
(81-1)	UU7198026	1	OWNER'S MANUAL, MFCF9050/9550-1 FOR SWE	
(81-1)	UU7200008	1	OWNER'S MANUAL, MFCF9050/9550-2 FOR BEL/CHE (FRENCH)	
(81-1)	UU7478003	1	OWNER'S MANUAL, MFC9550-1 FOR GER	
<del>(81-1)</del>	<del>UU7359003</del>	<del>4</del>	<del>OWNER'S MANUAL, MFC9550-1 FOR GER</del>	<Eliminated>
<del>(81-1)</del>	<del>UU7359004</del>	<del>4</del>	<del>OWNER'S MANUAL, MFC9550-1 FOR UK</del>	<Eliminated>
<del>(81-1)</del>	<del>UU7359005</del>	<del>4</del>	<del>OWNER'S MANUAL, MFC9550-1 FOR FRA</del>	<Eliminated>
<del>(81-1)</del>	<del>UU7359007</del>	<del>4</del>	<del>OWNER'S MANUAL, MFC9550-1 FOR NOR</del>	<Eliminated>
<del>(81-1)</del>	<del>UU7359008</del>	<del>4</del>	<del>OWNER'S MANUAL, MFC9550-1 FOR BEL (DUTCH)</del>	<Eliminated>
<del>(81-1)</del>	<del>UU7359009</del>	<del>4</del>	<del>OWNER'S MANUAL, MFC9550-1 FOR NLD</del>	<Eliminated>
<del>(81-1)</del>	<del>UU7359010</del>	<del>4</del>	<del>OWNER'S MANUAL, MFC9550-1 FOR CHE (GERMAN)</del>	<Eliminated>
<del>(81-1)</del>	<del>UU7359012</del>	<del>4</del>	<del>OWNER'S MANUAL, MFC9550-1 FOR FIN</del>	<Eliminated>
<del>(81-1)</del>	<del>UU7359015</del>	<del>4</del>	<del>OWNER'S MANUAL, MFC9550-1 FOR SPA</del>	<Eliminated>
<del>(81-1)</del>	<del>UU7359016</del>	<del>4</del>	<del>OWNER'S MANUAL, MFC9550-1 FOR ITA</del>	<Eliminated>
<del>(81-1)</del>	<del>UU7359026</del>	<del>4</del>	<del>OWNER'S MANUAL, MFC9550-1 FOR SWE</del>	<Eliminated>
<del>(81-1)</del>	<del>UU7360008</del>	<del>4</del>	<del>OWNER'S MANUAL, MFC9550-2 FOR BEL/CHE (FRENCH)</del>	<Eliminated>
81-2	UL7157001	2	TRAY EXTENSION ASSY (WITH TUBE)	
(81-3)	UU7361003	1	MULTI FUNCTION LINK MANUAL, MFC9550 FOR GER/UK/FRA/BEL/NLD/CHE	
(81-3)	UU7361007	1	MULTI FUNCTION LINK MANUAL, MFC9550 FOR NOR/FIN/SPA/ITA/SWE	
(82)	UU1336004	1	CD-ROM ASSY, MFC-9550 FOR GER/UK/FRA/NOR/BEL/NLD/CHE/FIN/SPA/ITA/SWE	
(83)	UU7248001	1	FLOPPY DISK ASSY, MFC9050 FOR GER/UK/FRA/BEL/NLD/CHE/IRL/AUS/GNR	
(83)	UU7248002	1	FLOPPY DISK ASSY, MFC9050 FOR NOR/FIN/DEN/SPA/ITA/SWE	
(84)	LH0020001	1	CARTON, BROTHER, FAX8050P <SMALL>	
(84)	UE1876001	1	CARTON, BROTHER, FAX8250P	

REF.NO.	CODE	QTY	DESCRIPTION	REMARKS
(84)	LH0021001	1	CARTON, BROTHER, MFC-9050 FOR GER/FRA/CHE/AUS <SMALL>	
(84)	LH0022001	1	CARTON, BROTHER, MFC-9050 FOR UK/NOR/BEL/NLD/IRL/FIN/DEN/SWE/GNR <SMALL>	
(84)	LH0023001	1	CARTON, BROTHER, MFC-9050 FOR SPA/ITA <SMALL>	
(84)	UE1875001	1	CARTON, BROTHER, MFC-9550	
(85)	UE1852001	1	STYROFOAM FOR FAX8250P/MFC9550	
(85)	LH0041001	1	STYROFOAM FOR FAX8050P/MFC9050 <SMALL>	
(86)	UE2136001	1	BAG, 700X1000H (FOR MACHINE)	
(87)	UE1855001	1	CARTON (FOR MANUAL) FOR FAX8250P/MFC9550	
(87)	LH0024001	1	CARTON (FOR MANUAL) FOR FAX8050P/MFC9050 <SMALL>	
(88)	UU0456001	1	PROTECTION PAPER	
(89)	-----		NOT USED	
90	UG4575001	1	AC CORD ASSY FOR GER/FRA/NOR/BEL/NLD/FIN/AUS/SPA/ITA/SWE/GNR	
90	UG4576001	1	AC CORD ASSY FOR UK/IRL	
90	UG4578001	1	AC CORD ASSY FOR CHE	
90	UG4607001	1	AC CORD ASSY FOR DEN	
91	UG4636001	1	NCU HARNESS B	
92	UG4641001	1	FERRITE CORE NF-80	
93	UU7165002	1	SIDE COVER, WHITE(1397) FOR FAX8050P/8250P	
93	UU7165001	1	SIDE COVER, WHITE(1138) FOR MFC9050	
94	UF7095000	1	MJ COVER, H/S FOR FAX8250P,MFC9050	
95	UF5745000	1	MJ COVER, EXT FOR GER/UK/FRA/BEL/NLD/FIN/DEN/AUS/ITA/SWE/GNR	
(96)	-----		NOT USED	
(96)	UU7199003	4	POP, MFC9050 FOR GER	<Eliminated>
(96)	UU7199004	4	POP, MFC9050 FOR UK/CHE/GNR	<Eliminated>
(96)	UU7199005	4	POP, MFC9050 FOR FRA	<Eliminated>
(96)	UU7199009	4	POP, MFC9050 FOR NLD	<Eliminated>
(97)	UF0146001	1	ECOLOGY STICKER, MFC9050/9550 FOR CHE	
(98)	LE0019001	1	FERRITE CORE BAG ASSY, FAX8050P/8250P FOR GER/UK/FRA/ NOR/BEL/CHE/IRE/DEN/AUS/SWE, MFC9050/9550 FOR FRA/NOR/BEL/NLD/CHE/IRE/FIN/DEN/ AUS/SPA/ITA/SWE	
99	UG4640001	1	FERRITE CORE NF-50	



### 1. SCANNER FRAME ATTACHMENT

REF.NO.	CODE	QTY	DESCRIPTION	REMARKS
1	UU7002001	1	SCANNER FRAME	
2	UU7012001	1	CIS SIDE SPRING	
3	UU7014001	1	SCANNER DRIVE UNIT	
3-1	UU7024001	1	SCANNER MOTOR	
3-2	0A4300605	1	SCREW, PAN (S/P WASHER) M3X6	
4	UU7029001	1	SCANNER GROUNDING LEAF SPRING	
5	087320616	1	TAPTITE, CUP S M3X6	
6	UU7030001	1	SEPARATION ROLLER GEAR	
7	UU7031001	1	SEPARATION ROLLER	
8	087310815	1	TAPTITE, CUP B M3X8	
9	UF4369000	1	PINCH ROLLER SHAFT	
10	UL6244002	2	PINCH ROLLER	
11	UU7032001	2	PRESSURE ROLLER LEAF SPRING	
12	UF4369000	1	PRESSURE ROLLER SHAFT	
13	UF9009001	2	PRESSURE ROLLER	
14	UU7033001	1	PINCH ROLLER LEAF SPRING	
15	087310815	1	TAPTITE, CUP B M3X8	
16	087320616	1	TAPTITE, CUP S M3X6	
17	UG4595001	1	GROUNDING WIRE	
18	UU7364001	1	ROLLER FILM	
19	UG4601001	1	CIS UNIT	
20	UU7035001	2	CIS LEAF SPRING	
21	UU7036001	1	CIS FILM	
22	UU7037001	1	DOCUMENT FEED ROLLER	
23	UU7039001	2	GEAR 27	
24	UU7284001	2	BEARING 6	
25	UU7040001	1	DOCUMENT EJECTION ROLLER	
26	UF7187001	1	SHIELD FILM	
27	UU7013001	2	CONTROL PANEL LOCK (LEAF SPRING)	
28	087310815	2	TAPTITE, CUP B M3X8	
29	UG4501001	1	SCANNER MOTOR HARNESS	
30	087311016	1	TAPTITE, CUP B M3X10	