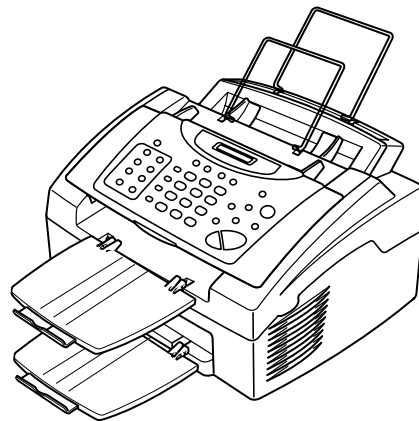




**FACSIMILE EQUIPMENT  
PARTS REFERENCE LIST**

**MODEL: FAX8060P / MFC9060**

**(For Germany / United Kingdom / France /  
Norway / Belgium / Netherlands /  
Switzerland / Ireland / Finland / Denmark /  
Austria / Spain / Italy / South Africa /  
Sweden / Euro Generic)**



## NOTES FOR USING THIS PARTS REFERENCE LIST

1. In the case of ordering parts, it needs mentioning the following items:

- (1) Code
- (2) Q' ty
- (3) Description

Note: No orders without Parts Code or Tool No. can be accepted.

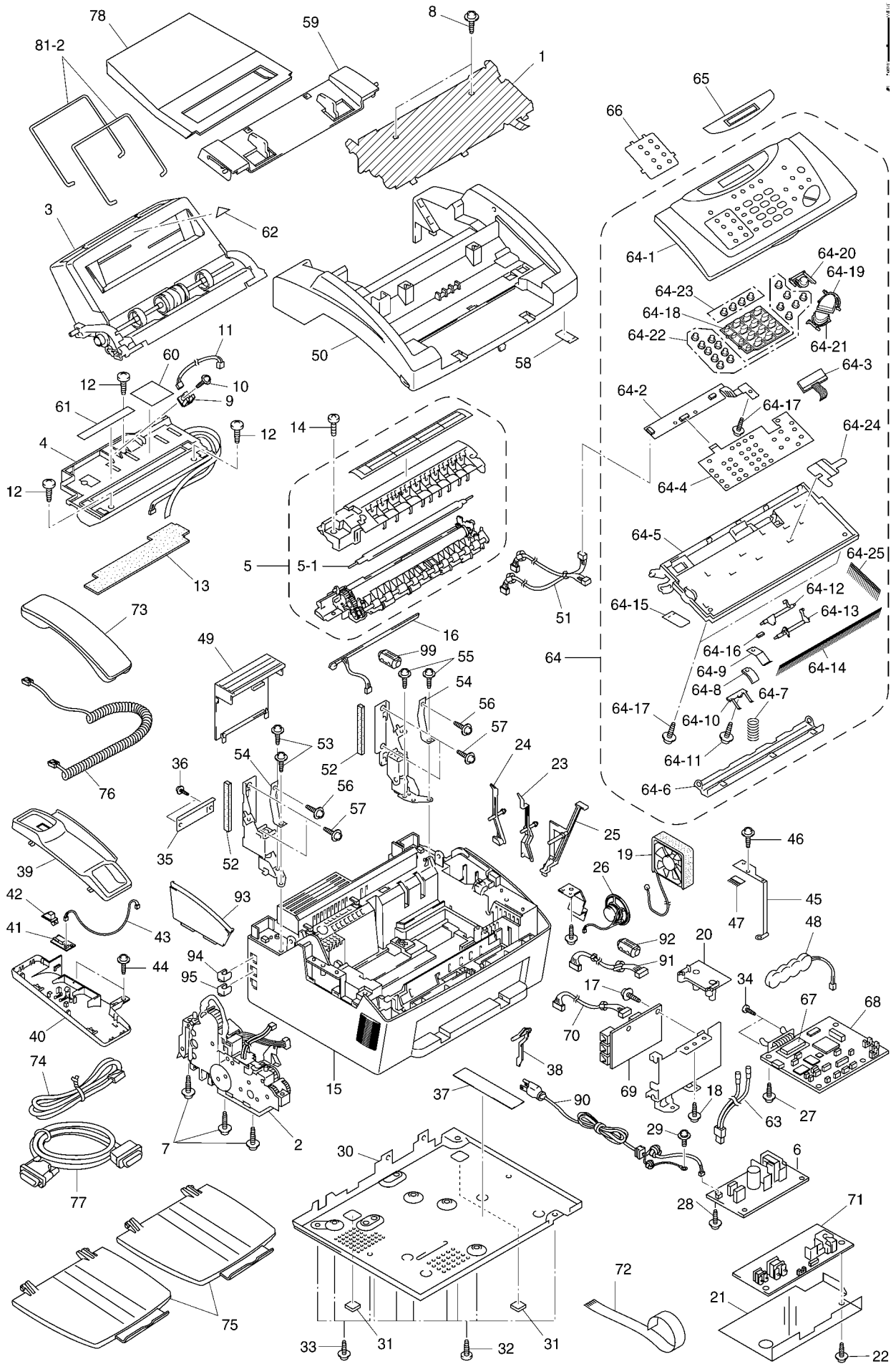
[Example]

REF.NO.	(1) CODE	(2) Q' TY	(3) DESCRIPTION	REMARKS

2. Parts change will be informed by the technical information.

## COUNTRIES

GERMANY ----- GER  
UNITED KINGDOM ----- UK  
FRANCE ----- FRA  
NORWAY ----- NOR  
BELGIUM ----- BEL  
NETHERLANDS ----- NLD  
SWITZERLAND ----- CHE  
IRELAND ----- IRE  
FINLAND ----- FIN  
DENMARK ----- DEN  
AUSTRIA ----- AUT  
SPAIN ----- SPA  
ITALY ----- ITA  
SOUTH AFRICA ----- ZAF  
SWEDEN ----- SWE  
EURO GENERIC ----- GNR



REF.NO.	CODE	Q'TY	DESCRIPTION	REMARKS
1			<b>SCANNER FRAME ATTACHMENT</b>	
2	LH0477001	1	GEAR DRIVE UNIT ASSY (SP)	
3	LH0478005	1	MULTI-PURPOSE SHEET FEEDER ASSY (SP), GLAY(1495)	
4	UU7134001	1	LASER UNIT ASSY (SP)	
5	UU7442001	1	HEAT-FIXING UNIT 240V ASSY (SP)	
5-1	UL6880001	1	FUSER LAMP, 240V (SP)	
(5-2)	UL6667001	1	THERMISTOR ASSY	
(5-3)	UL6681001	4	PINCH ROLLER ASSY	
(5-4)	UL6682001	4	PINCH ROLLER SPRING	
6	UG4557001	1	LOW-VOLTAGE POWER SUPPLY PCB ASSY, 230V, (EXCLUDING AC CORD)	
7	087412016	3	TAPTITE, CUP B M4X20	
8	087311016	2	TAPTITE, CUP B M3X10	
9	UG4220001	1	TONER SENSOR PCB ASSY	
10	087310815	1	TAPTITE, CUP B M3X8	
11	UG4144001	1	TONER SENSOR HARNESS	
12	085411215	3	TAPTITE, BIND B M4X12	
13	UU7043001	1	SCANNER SPONGE	
14	085411215	1	TAPTITE, BIND B M4X12	
15	LH0504001	1	MAIN COVER ASSY, GRAY(1495)	
16	UL6887001	1	EL PCB UNIT	
17	087320616	1	TAPTITE, CUP S M3X6	
18	085411215	1	TAPTITE, BIND B M4X12	
19	LH0367001	1	FAN	
20	UU7054001	1	FAN SUPPORT	
21	LH0417001	1	INSULATION FILM	
22	085411215	1	TAPTITE, BIND B M4X12	
23	UU7056001	1	REGISTRATION SENSOR ACTUATOR	
24	----		NOT USED	
25	UU7058001	1	TOP COVER SENSOR ACTUATOR	
26	UG4509001	1	SPEAKER	
27	085411215	1	TAPTITE, BIND B M4X12	
28	087320616	1	TAPTITE, CUP S M3X6	
29	UF6559001	1	SCREW, PAN (WASHER) M4X8DB	
30	UU7062001	1	BOTTOM PLATE	
31	UD4019001	2	RUBBER FOOT	
32	085411215	7	TAPTITE, BIND B M4X12	
33	087320616	3	TAPTITE, CUP S M3X6	
34	002300616	2	SCREW, PAN M3X6	
35	UU7064001	1	OPTION COVER, MFC9060	
36	0A5300805	2	SCREW, PAN (S/P WASHER) M3X8	
37	UU7322001	1	SPACER 30X145	
38	UL6717001	1	PAPER EJECTION SENSOR ACTUATOR (BLACK)	
39	----		NOT USED	
40	----		NOT USED	
41	----		NOT USED	
42	----		NOT USED	
43	----		NOT USED	
44	----		NOT USED	
45	UU7065001	1	SCANNER GROUNDING PLATE	
46	087310815	1	TAPTITE, CUP B M3X8	
47	UF7676001	1	ANTI-STATIC BRUSH	
48	----		NOT USED	
49	UU7006005	1	ROM COVER, GRAY(1495)	
50	UU7001005	1	TOP COVER, GRAY(1495)	
51	UG4502001	1	CIS & PANEL-MAIN HARNESSSES	
52	UU7168001	2	HARNESS SUPPORT SPONGE	
53	087411215	2	TAPTITE, CUP B M4X12	
54	UU7170001	2	TOP COVER STOPPER 12	
55	087411215	2	TAPTITE, CUP B M4X12	
56	087320616	2	TAPTITE, CUP S M3X6	
57	085411215	4	TAPTITE, BIND B M4X12	
58	UF7187001	1	SHIELD FILM	
59	UU7090005	1	DOCUMENT GUIDE BASE, GRAY(1495)	
60	UL6740001	1	LASER CAUTION LABEL	
61	UL6741001	1	TONER CAUTION LABEL	
62	----		NOT USED	
63	UG4634001	1	HEATER HARNESS(BROWN AND BLUE WIRES)	

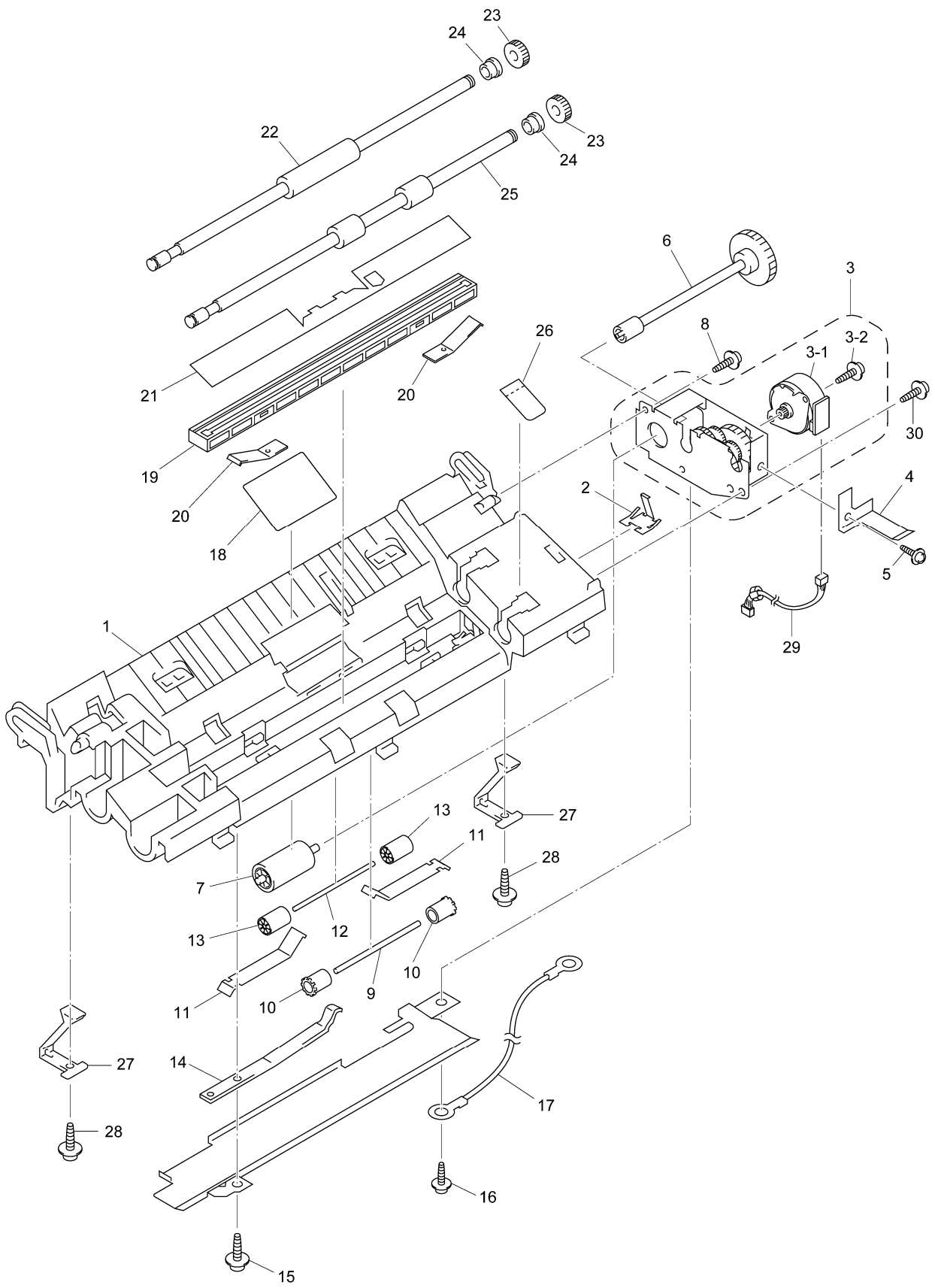
REF.NO.	CODE	Q'TY	DESCRIPTION	REMARKS
64	LH0507001	1	CONTROL PANEL ASSY, FAX8060P FOR GER	
64	LH0514001	1	CONTROL PANEL ASSY, FAX8060P FOR UK/BEL/CHE/ZAF	
64	LH0517001	1	CONTROL PANEL ASSY, FAX8060P FOR FRA	
64	LH0572001	1	CONTROL PANEL ASSY, FAX8060P FOR NLD	
64	LH0575001	1	CONTROL PANEL ASSY, FAX8060P FOR SPA	
64	LH0578001	1	CONTROL PANEL ASSY, FAX8060P FOR ITA	
64	LH0523001	1	CONTROL PANEL ASSY, MFC9060 FOR GER/AUT	
64	LH0530001	1	CONTROL PANEL ASSY, MFC9060 FOR UK/BEL/CHE/IRE/ZAF/GNR	
64	LH0533001	1	CONTROL PANEL ASSY, MFC9060 FOR FRA	
64	LH0582001	1	CONTROL PANEL ASSY, MFC9060 FOR NOR	
64	LH0585001	1	CONTROL PANEL ASSY, MFC9060 FOR NLD	
64	LH0588001	1	CONTROL PANEL ASSY, MFC9060 FOR FIN	
64	LH0591001	1	CONTROL PANEL ASSY, MFC9060 FOR DEN	
64	LH0594001	1	CONTROL PANEL ASSY, MFC9060 FOR SPA	
64	LH0597001	1	CONTROL PANEL ASSY, MFC9060 FOR ITA	
64	LH0600001	1	CONTROL PANEL ASSY, MFC9060 FOR SWE	
64-1	LH0508001	1	CONTROL PANEL, FAX8060P FOR GER	
64-1	LH0515001	1	CONTROL PANEL, FAX8060P FOR UK/BEL/CHE/ZAF	
64-1	LH0518001	1	CONTROL PANEL, FAX8060P FOR FRA	
64-1	LH0573001	1	CONTROL PANEL, FAX8060P FOR NLD	
64-1	LH0576001	1	CONTROL PANEL, FAX8060P FOR SPA	
64-1	LH0579001	1	CONTROL PANEL, FAX8060P FOR ITA	
64-1	LH0524001	1	CONTROL PANEL, MFC9060 FOR GER/AUT	
64-1	LH0531001	1	CONTROL PANEL, MFC9060 FOR UK/BEL/CHE/IRE/ZAF/GNR	
64-1	LH0534001	1	CONTROL PANEL, MFC9060 FOR FRA	
64-1	LH0583001	1	CONTROL PANEL, MFC9060 FOR NOR	
64-1	LH0586001	1	CONTROL PANEL, MFC9060 FOR NLD	
64-1	LH0589001	1	CONTROL PANEL, MFC9060 FOR FIN	
64-1	LH0592001	1	CONTROL PANEL, MFC9060 FOR DEN	
64-1	LH0595001	1	CONTROL PANEL, MFC9060 FOR SPA	
64-1	LH0598001	1	CONTROL PANEL, MFC9060 FOR ITA	
64-1	LH0601001	1	CONTROL PANEL, MFC9060 FOR SWE	
64-2	LH7095001	1	CONTROL PANEL PCB ASSY	
64-3	LG2567001	1	LCD	
64-4	LH7098001	1	FPC KEY	
64-5	UU7004001	1	PANEL REAR COVER	
64-6	UU7101001	1	DOCUMENT PRESSURE BAR	
64-7	UU7147001	1	DOCUMENT PRESSURE BAR SPRING	
64-8	UU7521001	1	SEPARATION RUBBER	
64-9	UU7105001	1	ADF SPRING PLATE	
64-10	UU7106001	1	SPRING PLATE, ADF FRONT	
64-11	087310815	1	TAPTITE, CUP B M3X8	
64-12	UU7107001	1	DOCUMENT FRONT SENSOR ACTUATOR	
64-13	UU7108001	1	DOCUMENT REAR SENSOR ACTUATOR	
64-14	UU7505001	1	ANTI-STATIC BRUSH 1	
64-15	UF7187001	1	SHIELD FILM	
64-16	UU7285001	1	ANTI-VIBRATION RUBBER	
64-17	087310815	2	TAPTITE, CUP B M3X8	
64-18	UF4393007	1	KEY, TEN, GRAY(1495)	
64-19	LE4074001	1	KEY, START, PURPLE(6255)	
64-20	LJ4285003	1	KEY, COPY, GRAY(1496)	
64-21	LE4075002	1	KEY, STOP, GRAY(1495)	
64-22	LE3295001	15	KEY, CYLINDER 6, GRAY(1495)	
64-23	LE3295002	4	KEY, CYLINDER 6, PURPLE(6255)	
64-24	LH0505001	1	FIT SHEET	
64-25	UU7506001	1	ANTI-STATIC BRUSH 22	
65	LH0509001	1	PANEL SHEET, FAX8060P	
65	LH0525001	1	PANEL SHEET, MFC9060 FOR GER/AUT	
65	LH0532001	1	PANEL SHEET, MFC9060 FOR UK/FRA/NOR/BEL/NLD/ CHE/IRE/FIN/DEN/SPA/ITA/ZAF/SWE/GNR	
66	LH0443001	1	ADDRESS LABEL, FAX8060P	
66	LH0407001	1	ADDRESS LABEL, MFC9060	
67	LH7048003	4	OPTROM, FOR GER/AUT	<Eliminated>
67	LH7141003	4	MASKED ROM, FAX8060P FOR GER	
67	LH7048004	1	OPTROM, FAX8060P FOR UK/ZAF, MFC9060 FOR UK/IRE/ZAF/GNR	
67	LH7048005	1	OPTROM, FAX8060P/MFC9060 FOR FRA	
67	LH7048007	1	OPTROM, FOR NOR/BEL/NLD/CHE/FIN/DEN/ITA/SWE	

REF.NO.	CODE	Q'TY	DESCRIPTION	REMARKS
67	LH7048015	1	OPTROM, FAX8060P/MFC9060 FOR SPA	
68	<del>LH7143034</del>	<del>4</del>	<del>MAIN PCB ASSY, FAX8060P FOR GER</del>	<Eliminated>
68	LH7130011	1	MAIN PCB ASSY (W/O FLASH), FAX8060P FOR GER/UK/FRA/BEL/NLD/CHE/SPA/ITA/ZAF	
68	LH7142031	1	MAIN PCB ASSY (W/ FLASH), MFC9060 FOR GER/UK/FRA/IRE/AUT/SPA/ZAF	
68	LH7131021	1	MAIN PCB ASSY (W/O FLASH), MFC9060 FOR NOR/BEL/NLD/CHE/FIN/DEN/ITA/SWE/GNR	
69	LG2810011	1	NCU PCB ASSY, FOR GER	
69	LG2810014	1	NCU PCB ASSY, FOR UK/FRA/NOR/BEL/ NLD/IRE/FIN/DEN/AUT/ZAF/SWE/GNR	
69	LG2810012	1	NCU PCB ASSY, FOR CHE	
69	LG2810013	1	NCU PCB ASSY, FOR SPA/ITA	
70	LH7050001	1	NCU-MAIN HARNESS	
71	LH7129001	1	HIGH-VOLTAGE POWER SUPPLY PCB ASSY	
72	UG4507001	1	HV FLAT CABLE 12	
73	----		NOT USED	
74	UG3625001	1	TELEPHONE LINE CORD, FOR GER	
74	UG3626001	1	TELEPHONE LINE CORD, FOR UK/ZAF	
74	UG3627001	1	TELEPHONE LINE CORD, FOR FRA	
74	UG3629001	1	TELEPHONE LINE CORD, FOR NOR	
74	UG1575001	1	TELEPHONE LINE CORD, FOR BEL	
74	UG3631001	1	TELEPHONE LINE CORD, FOR NLD	
74	UG3469000	1	TELEPHONE LINE CORD, FOR CHE	
74	UG3565001	1	TELEPHONE LINE CORD, FOR IRE/SPA/ZAF/GNR	
74	UG3632001	1	TELEPHONE LINE CORD, FOR FIN	
74	UG3633001	1	TELEPHONE LINE CORD, FOR DEN	
74	UG4205001	1	TELEPHONE LINE CORD, FOR AUT	
74	UG3634001	1	TELEPHONE LINE CORD, FOR ITA	
74	UG3635001	1	TELEPHONE LINE CORD, FOR SWE	
75	UU7114005	2	PAPER EJECTION TRAY, GRAY(1495)	
76	----		NOT USED	
77	UG4558001	1	I/F CABLE, MFC9060 FOR GER/UK/IRE/AUT/ZAF/GNR	
78	----		NOT USED	
79	----		NOT USED	
80	----		NOT USED	
(81)	LH0510001	1	OWNER'S MANUAL ASSY, FAX8060P FOR GER (INCLUDING OPERATIONS MANUAL(REF.NO.(81-1), WARRANTY CARD, REORDER FORM AND TRAY EXTENSION (REF.NO.81-2))	
(81)	LH0537001	1	OWNER'S MANUAL ASSY, MFC9060 FOR GER/AUT (INCLUDING OPERATIONS MANUAL (REF.NO.(81-1), WARRANTY CARD, TRAY EXTENSION (REF.NO.81-2))	
(81)	LH0516001	1	OWNER'S MANUAL ASSY, FAX8060P FOR UK (INCLUDING 2 OPERATIONS MANUAL(REF.NO.(81-1), WARRANTY CARD, SUFFOCATION CAUTION LABEL, TRAY EXTENSION(REF.NO.81-2))	
(81)	LH0664001	1	OWNER'S MANUAL ASSY, MFC9060P FOR UK (INCLUDING OPERATIONS MANUAL(REF.NO.(81-1), WARRANTY CARDS, SUFFOCATION CAUTION LABEL, LICENCE SHEET, TRAY EXTENSION(REF.NO.81-2))	
(81)	LH0519001	1	OWNER'S MANUAL ASSY, FAX8060P FOR FRA (INCLUDING OPERATIONS MANUAL(REF.NO.(81-1), WARRANTY CARD, TRAY EXTENSION (REF.NO.81-2))	
(81)	LH0665001	1	OWNER'S MANUAL ASSY, MFC9060P FOR FRA (INCLUDING OPERATIONS MANUAL(REF.NO.(81-1), WARRANTY CARDS, LICENCE SHEET, TRAY EXTENSION(REF.NO.81-2))	
(81)	LH0584001	1	OWNER'S MANUAL ASSY, MFC9060 FOR NOR (INCLUDING OPERATIONS MANUAL (REF.NO.(81-1), WARRANTY CARD, TRAY EXTENSION (REF.NO.81-2))	
(81)	LH0571001	1	OWNER'S MANUAL ASSY, FAX8060P FOR BEL (INCLUDING OPERATIONS MANUALS (REF.NO.(81-1), WARRANTY CARD, TRAY EXTENSION (REF.NO.81-2))	
(81)	LH0667001	1	OWNER'S MANUAL ASSY, MFC9060 FOR BEL (INCLUDING 2 OPERATIONS MANUALS (REF.NO.(81-1), WARRANTY CARD, LICENCE SHEET,	

REF.NO.	CODE	Q'TY	DESCRIPTION	REMARKS
(81)	LH0574001	1	TRAY EXTENSION (REF.NO.81-2)) OWNER'S MANUAL ASSY, FAX8060P FOR NLD (INCLUDING OPERATIONS MANUAL (REF.NO.(81-1), WARRANTY CARD, TRAY EXTENSION (REF.NO.81-2))	
(81)	LH0668001	1	OWNER'S MANUAL ASSY, MFC9060 FOR NLD (INCLUDING 2 OPERATIONS MANUALS (REF.NO.(81-1), WARRANTY CARD, LICENCE SHEET, TRAY EXTENSION (REF.NO.81-2))	
(81)	LH0520001	1	OWNER'S MANUAL ASSY, FAX8060P FOR CHE (INCLUDING OPERATIONS MANUALS (REF.NO.(81-1), WARRANTY CARD, TRAY EXTENSION (REF.NO.81-2))	
(81)	LH0669001	1	OWNER'S MANUAL ASSY, MFC9060 FOR CHE (INCLUDING 2 OPERATIONS MANUALS (REF.NO.(81-1), WARRANTY CARD, LICENCE SHEET, TRAY EXTENSION (REF.NO.81-2))	
(81)	LH0587001	1	OWNER'S MANUAL ASSY, FOR IRE (INCLUDING OPERATIONS MANUAL (REF.NO.(81-1), WARRANTY CARD, TRAY EXTENSION (REF.NO.81-2))	
(81)	LH0590001	1	OWNER'S MANUAL ASSY, FOR FIN (INCLUDING OPERATIONS MANUAL (REF.NO.(81-1), TRAY EXTENSION (REF.NO.81-2))	
(81)	LH0593001	1	OWNER'S MANUAL ASSY, FOR DEN (INCLUDING OPERATIONS MANUAL (REF.NO.(81-1), WARRANTY CARD, TRAY EXTENSION (REF.NO.81-2))	
(81)	LH0577001	1	OWNER'S MANUAL ASSY, FAX8060P FOR SPA (INCLUDING OPERATIONS MANUAL (REF.NO.(81-1), WARRANTY CARD, TRAY EXTENSION (REF.NO.81-2))	
(81)	LH0670001	1	OWNER'S MANUAL ASSY, MFC9060 FOR SPA (INCLUDING OPERATIONS MANUAL (REF.NO.(81-1), WARRANTY CARDS, LICENCE SHEET, TRAY EXTENSION (REF.NO.81-2))	
(81)	LH0580001	1	OWNER'S MANUAL ASSY, FAX8060P FOR ITA (INCLUDING OPERATIONS MANUAL (REF.NO.(81-1), WARRANTY CARD, TRAY EXTENSION (REF.NO.81-2))	
(81)	LH0671001	1	OWNER'S MANUAL ASSY, MFC9060 FOR ITA (INCLUDING OPERATIONS MANUAL (REF.NO.(81-1), WARRANTY CARD, LICENCE SHEET, TRAY EXTENSION (REF.NO.81-2))	
(81)	LH0677001	1	OWNER'S MANUAL ASSY, FAX8060P FOR ZAF (INCLUDING OPERATIONS MANUAL (REF.NO.(81-1), TRAY EXTENSION (REF.NO.81-2))	
(81)	LH0599001	1	OWNER'S MANUAL ASSY, MFC9060 FOR ZAF (INCLUDING OPERATIONS MANUAL (REF.NO.(81-1), TRAY EXTENSION (REF.NO.81-2))	
(81)	LH0602001	1	OWNER'S MANUAL ASSY, FOR SWE (INCLUDING OPERATIONS MANUAL (REF.NO.(81-1), WARRANTY CARD, TRAY EXTENSION (REF.NO.81-2))	
(81)	LH0648001	1	OWNER'S MANUAL ASSY, FOR GNR (INCLUDING OPERATIONS MANUAL (REF.NO.(81-1), TRAY EXTENSION (REF.NO.81-2))	
(81-1)	LH0536001	1	OPERATIONS MANUAL, FAX8060P FOR GER	
(81-1)	LH0538001	1	OPERATIONS MANUAL, MFC9060 FOR GER/AUT	
(81-1)	LH0511004	1	OPERATIONS MANUAL, FOR UK/IRE/ZAF/GNR	
(81-1)	LH0511005	1	OPERATIONS MANUAL, FOR FRA	
(81-1)	LH0511007	1	OPERATIONS MANUAL, FOR NOR	
(81-1)	LH0511008	1	OPERATIONS MANUAL, FOR BEL (DUTCH)	
(81-1)	LH0521008	1	OPERATIONS MANUAL, FOR BEL/CHE (FRENCH)	
(81-1)	LH0511009	1	OPERATIONS MANUAL, FOR NLD	
(81-1)	LH0511010	1	OPERATIONS MANUAL, FOR CHE (GERMAN)	
(81-1)	LH0511012	1	OPERATIONS MANUAL, FOR FIN	
(81-1)	LH0511013	1	OPERATIONS MANUAL, FOR DEN	
(81-1)	LH0511015	1	OPERATIONS MANUAL, FOR SPA	
(81-1)	LH0511016	1	OPERATIONS MANUAL, FOR ITA	
(81-1)	LH0511026	1	OPERATIONS MANUAL, FOR SWE	
81-2	UL6856000	2	TRAY EXTENSION	
(82)	LH0526001	1	CD-ROM ASSY, MFC9060 FOR GER/UK/FRA/CHE/IRE/AUT/ITA/ZAF/GNR	
(82)	LH0660001	1	CD-ROM ASSY, MFC9060 FOR NOR/FIN/DEN/SWE	

REF.NO.	CODE	Q'TY	DESCRIPTION	REMARKS
(82)	LH0657001	1	CD-ROM ASSY, MFC9060 FOR BEL/NLD/SPA	
(83)	----		NOT USED	
(84)	LH0513001	1	CARTON, BROTHER, FAX8060P	
(84)	LH0529001	1	CARTON, BROTHER, MFC9060	
(85)	LH0041001	1	STYROFOAM ASSY	
(86)	UE2136002	1	BAG, 700X1000H (FOR MACHINE) FOR FRA	
(86)	UE2136001	1	BAG, 700X1000H (FOR MACHINE) FOR COUNTRIES EXCEPT FRA	
(87)	UL7932001	1	PROCESS BAG 400X480	
(88)	UU0456001	1	PROTECTION PAPER	
(89)	----		NOT USED	
90	UG4575001	1	AC CORD ASSY, FOR GER/FRA/NOR/BEL/ NLD/FIN/AUT/SPA/ITA/SWE/GNR	
90	UG4576001	1	AC CORD ASSY, FOR UK/IRE	
90	UG4578001	1	AC CORD ASSY, FOR CHE	
90	LH7134001	1	AC CORD ASSY, FOR DEN	
90	LH7061001	1	AC CORD ASSY, FOR ZAF	
91	----		NOT USED	
92	LE0019001	1	FERRITE CORE BAG ASSY, MFC9060 FOR FRA/NOR/BEL/ NLD/CHE/FIN/DEN/SPA/ITA/SWE	
93	UU7165003	1	W/O HANDSET COVER	
94	UF5745000	1	MJ COVER, EXT, FOR GER/UK/FRA/BEL/ NLD/FIN/DEN/AUT/ITA/ZAF/SWE/GNR	
95-99	----		NOT USED	





### 1.SCANNER FRAME ATTACHMENT

REF.NO.	CODE	Q'TY	DESCRIPTION	REMARKS
1	UU7002001	1	SCANNER FRAME	
2	UU7012001	1	CIS SIDE SPRING	
3	LH0393001	1	SCANNER DRIVE UNIT	
3-1	UU7490001	1	SCANNER MOTOR	
3-2	0A4300605	1	SCREW, PAN (S/P WASHER) M3X6	
4	UU7029001	1	SCANNER GROUNDING LEAF SPRING	
5	087320616	1	TAPTITE, CUP S M3X6	
6	UU7030001	1	SEPARATION ROLLER GEAR	
7	UU7031001	1	SEPARATION ROLLER	
8	087310815	1	TAPTITE, CUP B M3X8	
9	UF4369000	1	PINCH ROLLER SHAFT	
10	UL6244002	2	PINCH ROLLER	
11	UU7032001	2	PRESSURE ROLLER LEAF SPRING	
12	UF4369000	1	PRESSURE ROLLER SHAFT	
13	UF9009001	2	PRESSURE ROLLER	
14	UU7033001	1	PINCH ROLLER LEAF SPRING	
15	087310815	1	TAPTITE, CUP B M3X8	
16	087320616	1	TAPTITE, CUP S M3X6	
17	UG4595001	1	GROUNDING WIRE	
18	UU7364001	1	ROLLER FILM	
19	LH7116001	1	CIS UNIT	
20	UU7035001	2	CIS LEAF SPRING	
21	UU7036001	1	CIS FILM	
22	UU7037001	1	DOCUMENT FEED ROLLER	
23	UU7039001	2	GEAR 27	
24	UU7284001	2	BEARING 6	
25	UU7040001	1	DOCUMENT EJECTION ROLLER	
26	UF7187001	1	SHIELD FILM	
27	UU7013001	2	CONTROL PANEL LOCK (LEAF SPRING)	
28	087310815	2	TAPTITE, CUP B M3X8	
29	UG4501001	1	SCANNER MOTOR HARNESS	
30	087311016	1	TAPTITE, CUP B M3X10	