

FACSIMILE EQUIPMENT

PARTS REFERENCE LIST

MODEL: FAX8070P / MFC9030 / MFC9070

**(For Germany / United Kingdom / France /
Norway / Belgium / Netherlands /
Switzerland / Ireland / Finland / Denmark /
Austria / Spain / Italy / South Africa /
Sweden / Poland / Euro Generic)**

NOTES FOR USING THIS PARTS REFERENCE LIST

1. In the case of ordering parts, it needs mentioning the following items:

- (1) Code
- (2) Q' ty
- (3) Description

Note: No orders without Parts Code or Tool No. can be accepted.

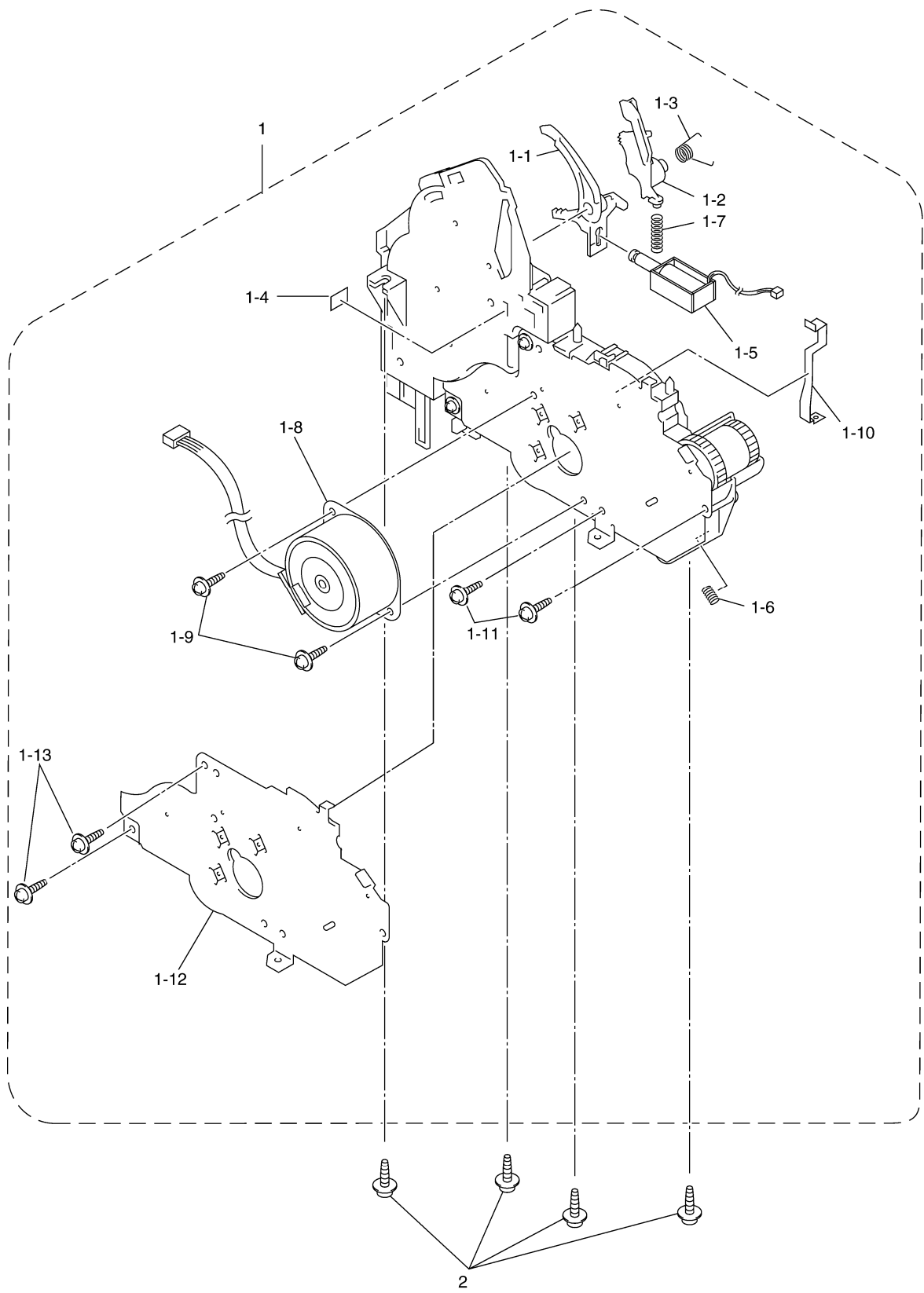
[Example]

REF.NO.	(1) CODE	(2) Q' TY	(3) DESCRIPTION	RECOMMEND	REMARKS

2. Parts change will be informed by the technical information.

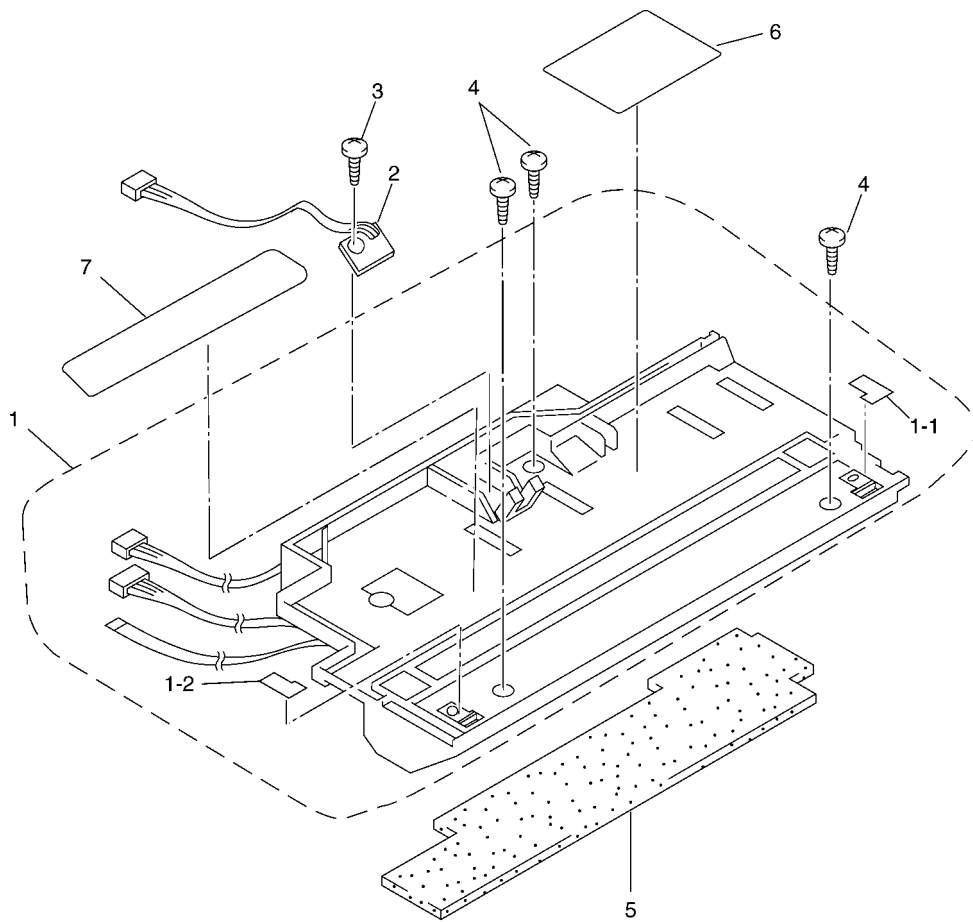
COUNTRIES

GERMANY ---- GER
UNITED KINGDOM ---- UK
FRANCE ---- FRA
NORWAY ---- NOR
BELGIUM ---- BEL
NETHERLANDS ---- NLD
SWITZERLAND ---- CHE
IRELAND ---- IRE
FINLAND ---- FIN
DENMARK ---- DEN
AUSTRIA ---- AUS
SPAIN ---- SPA
ITALY ---- ITA
SOUTH AFRICA ---- ZAF
SWEDEN ---- SWE
POLAND ---- POL
EURO GENERIC ---- GER



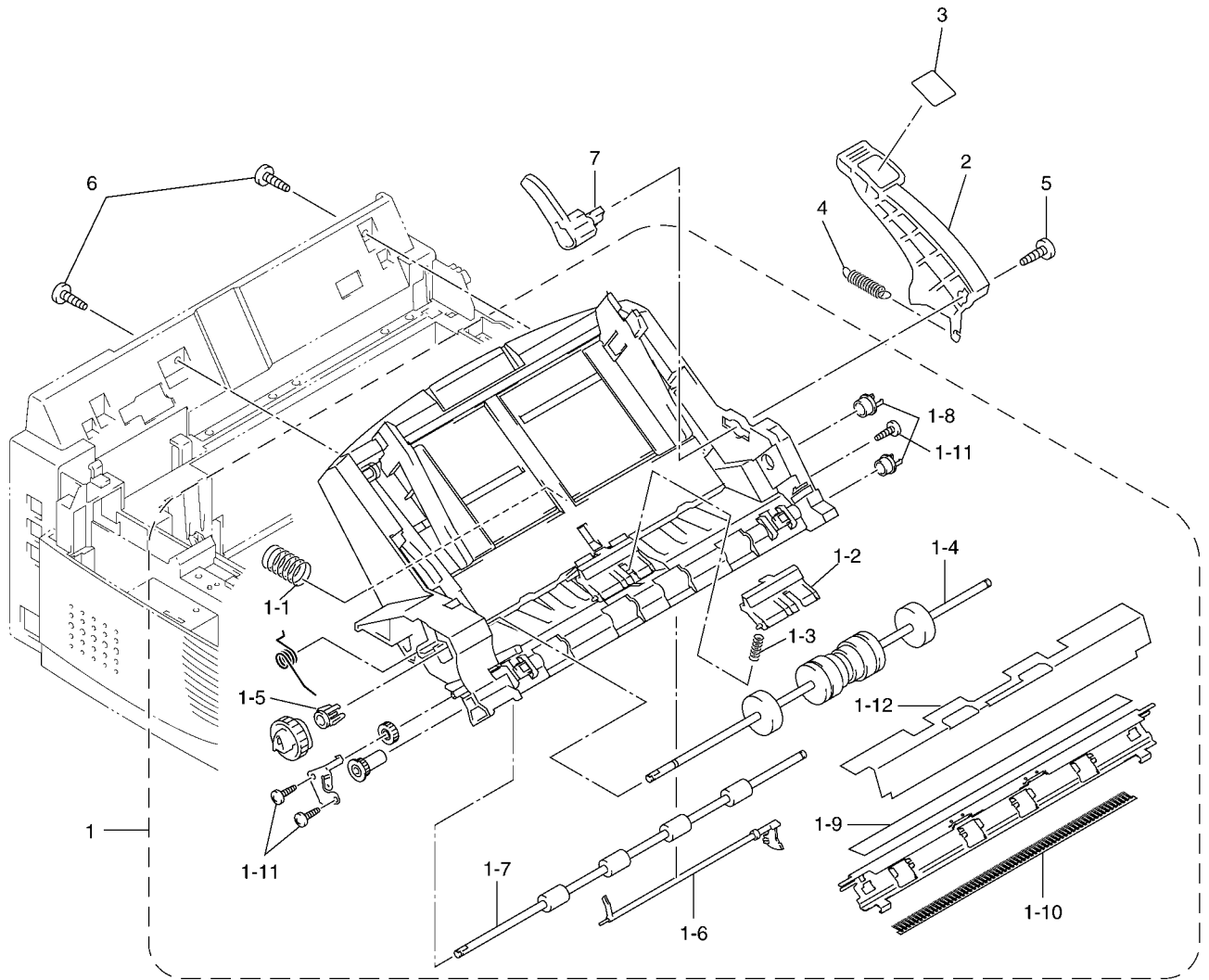
LIST1(PAPER DRIVE)

REF No.	CODE	QTY	DESCRIPTION	RECOMMEND	REMARK
1	LE1793001	1	DRIVE UNIT		
1-1	UL6573000	1	PAPER PICK-UP SOLENOID LEVER		
1-2	UL6574000	1	CLUTCH RELEASE LEVER		
1-3	UL6575001	1	SOLENOID LEVER RETURN SPRING		
1-4	LE7280001	1	SOLENOID LEVER SHEET		
1-5	LE7015001	1	PAPER FEED SOLENOID ASSY		
1-6	LE7419001	1	CLUTCH GEAR SPRING		
1-7	UL6579001	1	CLUTCH HOLDER SPRING		
1-8	LE1806001	1	MAIN MOTOR ASSY		
1-9	087320616	2	TAPTITE, CUP S M3X6		
1-10	LE1807001	1	ELECTRODE		
1-11	087311016	2	TAPTITE, CUP B M3X10		
1-12	LE1795001	1	MOTOR BRACKET		
1-13	087321615	2	TAPTITE, CUP S M3X16		
2	087411415	4	TAPTITE, CUP B M4X14		



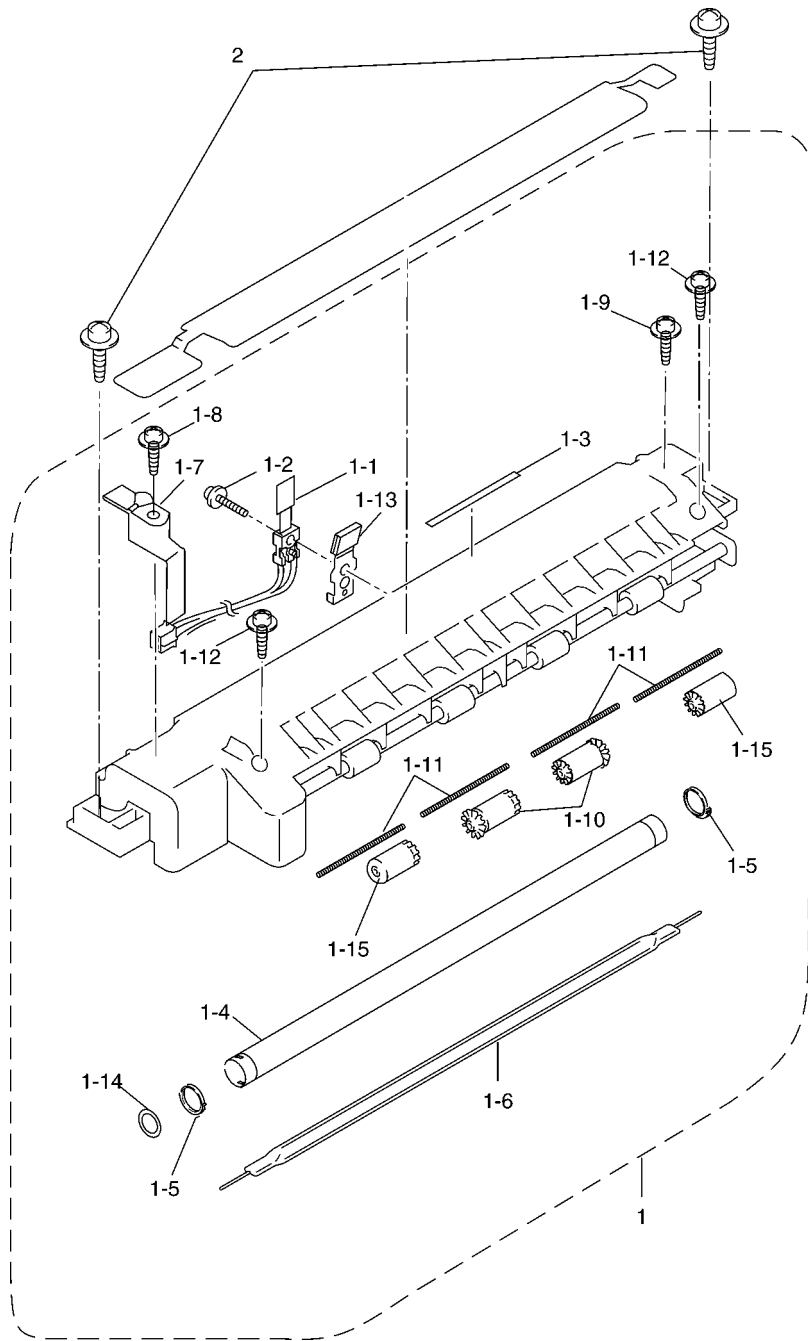
LIST2(LASER UNIT)

REF No.	CODE	QTY	DESCRIPTION	RECOMMEND	REMARK
1	LE7197001	1	LASER SCANNER ASSY(SP)	1	
1-1	UL6614001	1	SCANNER SHEET 1		
1-2	UL6615001	1	SCANNER SHEET 2		
2	LG3162001	1	TONER SENSOR PCB ASSY		
3	087310815	1	TAPTITE, CUP B M3X8		
4	085411215	3	SCREW, BIND B TITE 4X12		
5	UU7043001	1	SCANNER SEAL SPONGE		
6	UL6740001	1	LASER CAUTION LABEL		
7	UL6741001	1	TONER CAUTION LABEL		



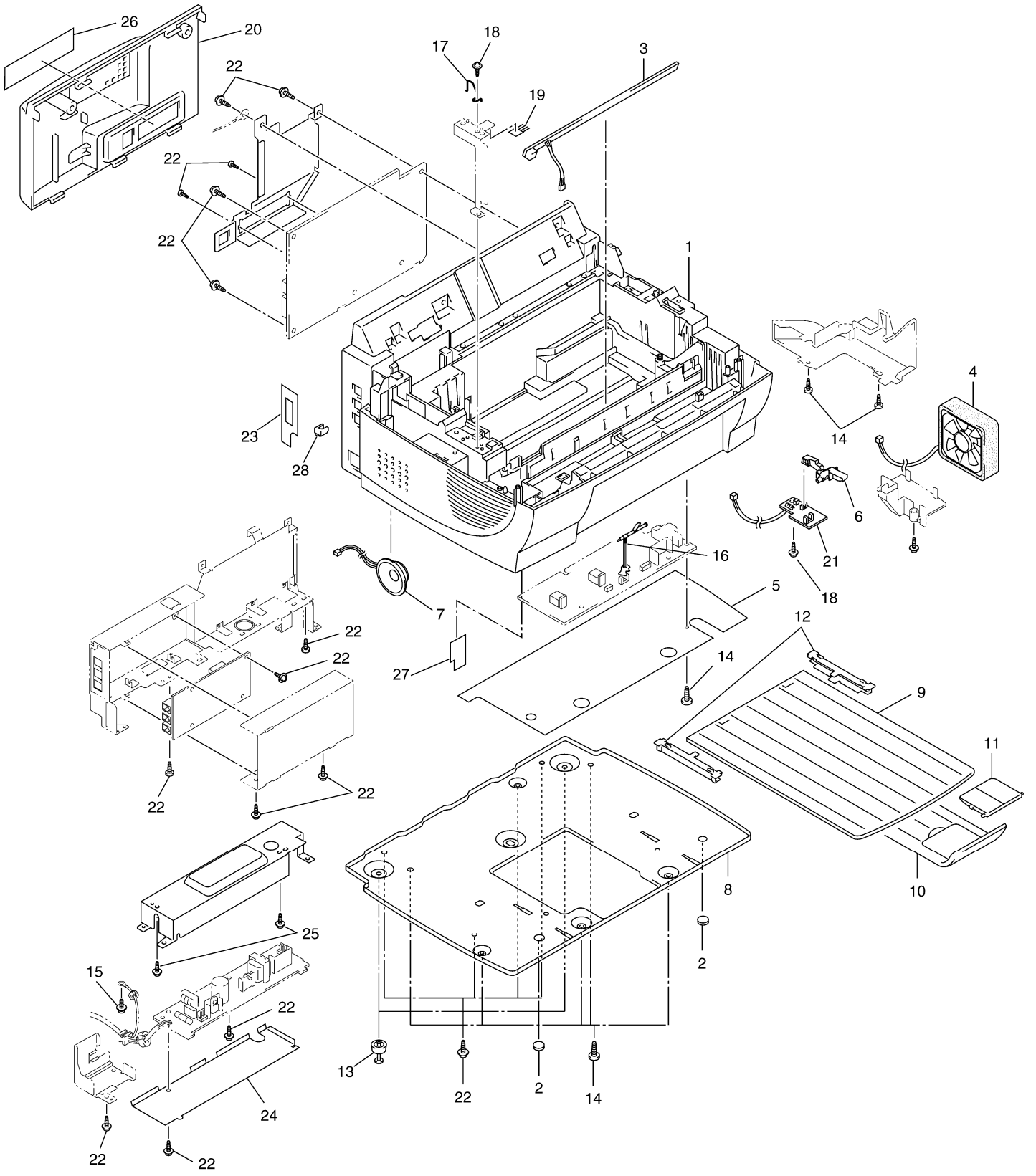
LIST3(PAPER FEED)

REF No.	CODE	QTY	DESCRIPTION	RECOMMEND	REMARK
1	LE1833001	1	PAPER FEED BASE ASSY, GRAY(1495)		
1-1	LE1844001	1	PLATE SPRING		
1-2	LE1943001	1	SEPARATION PAD ASSY		
1-3	UL5184001	1	SEPARATION PAD SPRING		
1-4	LE1945001	1	PAPER PULL-IN ROLLER		
1-5	UL6642000	1	PAWLED BUSHING L		
1-6	LE1845001	1	REGISTRATION SENSOR ACTUATOR		
1-7	UL6654001	1	PAPER FEED ROLLER		
1-8	UF0026001	2	PAWLED BUSHING R		
1-9	UL6659001	1	CHUTE FILM		
1-10	LJ5219001	1	ANTI-STATIC BRUSH		
1-11	U04887001	3	TAPTITE, BIND B M2.6X8		
1-12	LE7019001	1	BLACK FILM		
2	LE1834001	1	RELEASE LEVER, PURPLE(6255)		
3	LE7136001	1	RELEASE LEVER LABEL		
4	LE1835001	1	RELEASE LEVER SPRING		
5	085411015	1	TAPTITE, BIND B M4X10		
6	085411215	2	TAPTITE, BIND B M4X12		
7	LE1837001	1	RELEASE CAM		



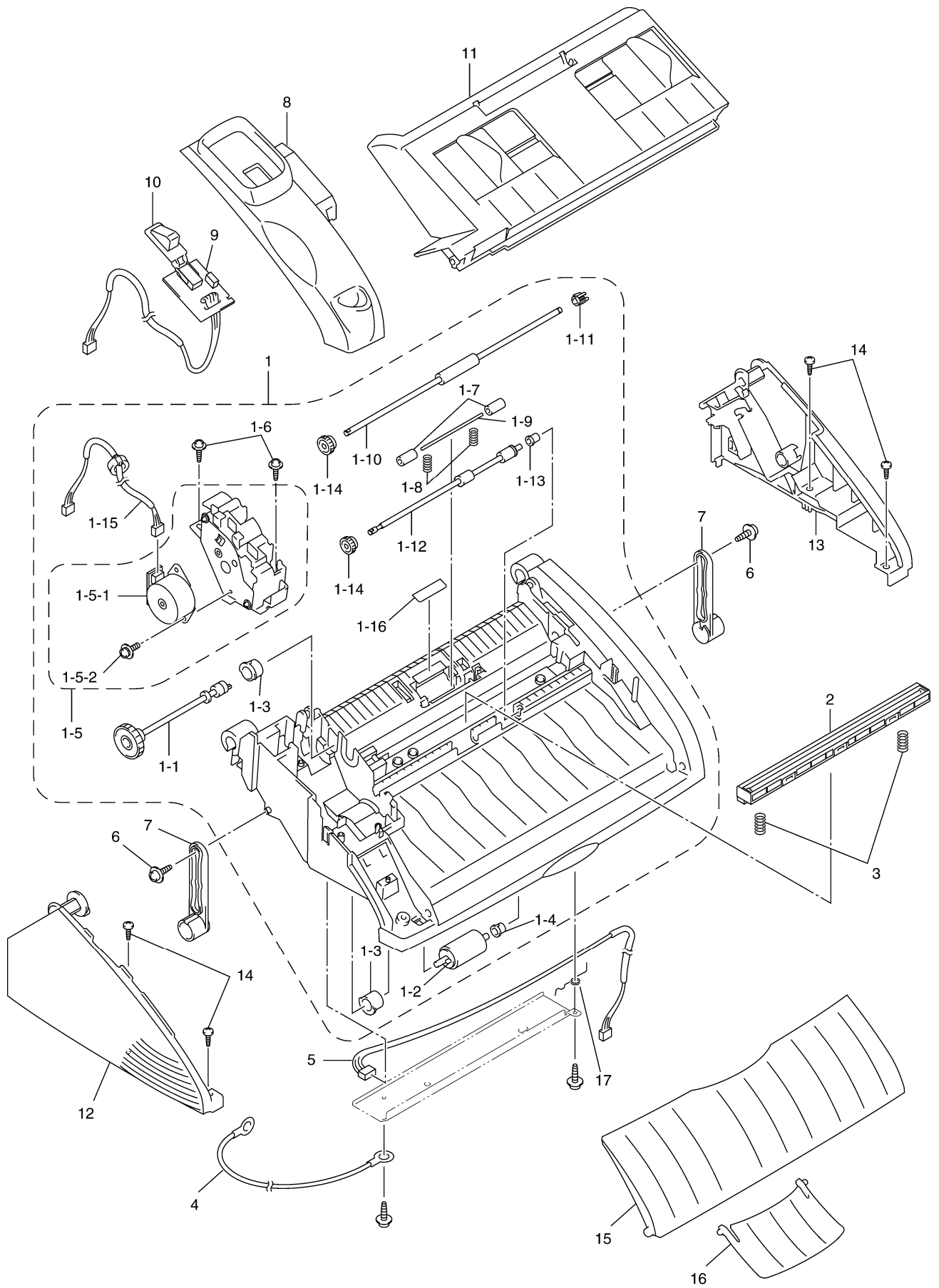
LIST4(FIXING UNIT)

REF No.	CODE	Q'TY	DESCRIPTION	RECOMMEND	REMARK
1	LE7343001	1	FIXING UNIT, 230V(SP)	1	
1-1	LE1849001	1	THERMISTER ASSY		
1-2	087311415	1	TAPTITE, CUP B M3X14		
1-3	LE7302001	1	HEAT ROLLER CLEANER FELT		
1-4	LE1850001	1	HEAT ROLLER		
1-5	UH3178000	2	HEAT ROLLER SHAFT HOLDER		
1-6	LE7133001	1	TUNGSTEN HOLOGEN LAMP, 230V		
1-7	UH3182000	1	FEEDER ELECTRODE PLATE		
1-8	083311017	1	TAPTITE, PAN B M3X10		
1-9	LJ4820001	1	SCREW, PAN(WASHER) M2.6X6DA		
1-10	UH3323001	2	EJECT PINCH ROLLER ASSY		
1-11	UL6682001	4	PINCH SPRING		
1-12	085311216	2	TAPTITE, BIND B M3X12		
1-13	LE7043001	1	CLEANER ASSY		
1-14	----		NOT USED		
1-15	UH3324001	2	EJECTION PRESSURE ROLLER		
2	087411616	2	TAPTITE, CUP B M4X16		



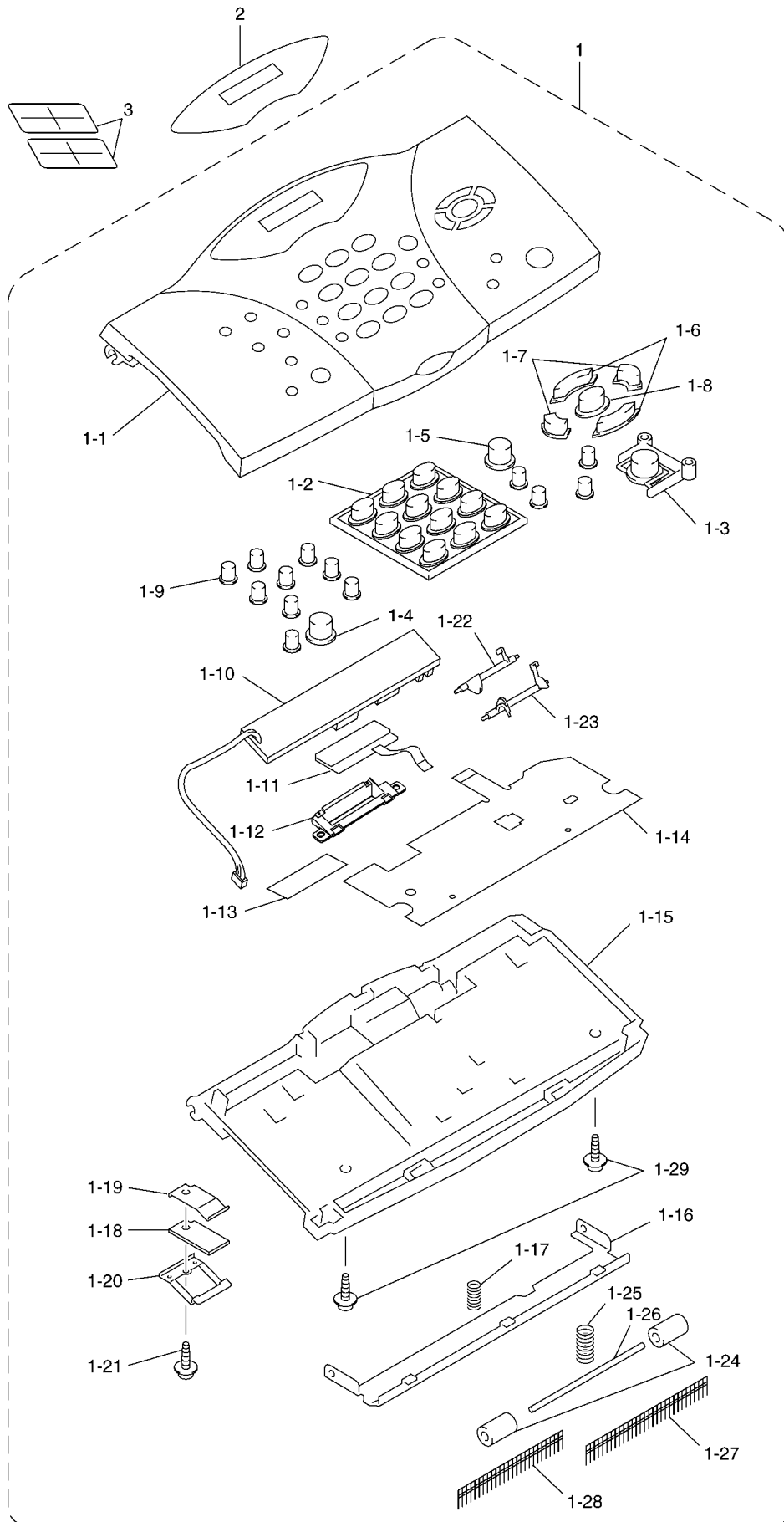
LIST5(MAIN COVER)

REF No.	CODE	QTY	DESCRIPTION	RECOMMEND	REMARK
1	LE1786001	1	MAIN COVER, GRAY(1495)		
2	LE7299001	2	RUBBER FOOT(FRONT)		
3	LE1863001	1	EL BOARD		
4	LE7059001	1	FAN MOTOR ASSY		
5	LE1865001	1	HIGH-VOLTAGE INSULATOR SHEET		
6	LE1866001	1	TOP COVER SENSOR ACTUATER		
7	LG3166001	1	SPEAKER UNIT		
8	LE1868001	1	BOTTOM PLATE		
9	LE1870001	1	PAPER EJECTION TRAY		
10	LE1871001	1	PAPER EJECTION SUB TRAY		
11	LJ5599001	1	PAPER STOPPER		
12	LE1872001	2	PAPER EJECT TRAY HOLDER		
13	UH2208001	2	RUBBER FOOT(REAR)		
14	085411215	12	SCREW, BIND B TITE 4X12		
15	UF6559001	1	SCREW, PAN (WASHER) M4X8DB		
16	LE1874001	1	PAPER EJECT SENSOR ACTUATOR		
17	LE1968001	1	SCANNING GROUND SPRING		
18	087310815	2	TAPTITE, CUP B M3X8		
19	LE1876001	1	ANTI-STATIC BRUSH		
20	LE1877001	1	BOARD ACCESS COVER		
21	LG3168001	1	REGISTRATION SENSOR PCB ASSY		
22	087320616	18	TAPTITE, CUP S M3X6		
23	----		NOT USED		
24	LE1881001	1	LOW VOLTAGE INSULATOR SHEET		
25	083321216	2	TAPTITE, PAN S M3X12		
26	LE7141001	1	ACCESS COVER SHEET, FAX8070P		
27	LE7898001	1	PROTECTION FILM		
28	UF5745000	1	MJ COVER, EXT FOR GER/UK/FRA/BEL/FIN/DEN/AUS/ITA/ZAF/SWE/GNR		



LIST6(TOP COVER)

REF No.	CODE	QTY	DESCRIPTION	RECOMMEND	REMARK
1	LE1950001	1	TOP COVER ASSY, GRAY(1495)		
1-1	LE1814001	1	SEPARATION ROLLER GEAR		
1-2	LE7296001	1	SEPARATION ROLLER		
1-3	LE6325001	2	BUSHING L		
1-4	LE6326001	1	BUSHING R		
1-5	LE1808001	1	SCANNER DRIVE UNIT		
1-5-1	LE7039001	1	SCANNER MOTOR		
1-5-2	0A4300605	1	SCREW, PAN (S/P WASHER) M3X6		
1-6	087310815	2	TAPTITE, CUP B M3X8		
1-7	UF9009001	2	PRESSURE ROLLER		
1-8	LE2472001	2	PRESSURE ROLLER SPRING		
1-9	LE2471001	1	PRESSURE ROLLER SHAFT		
1-10	LE1816001	1	DOCUMENT FEED ROLLER		
1-11	UL6642000	1	PAWLED BUSHING		
1-12	LE7135001	1	DOCUMENT EJECTION ROLLER ASSY		
1-13	UF9949001	1	EJECTION ROLLER BUSHING		
1-14	LE1196001	2	DOCUMENT FEED/EJECTION ROLLER GEAR		
1-15	LG3171001	1	SCANNER MOTOR HARNESS		
1-16	UU7364001	1	SEPARATION ROLLER FILM		
2	LG3157001	1	CIS UNIT	1	
3	UU2028001	2	CIS SPRING		
4	LG3207001	1	FG WIRE		
5	LG3741001	1	CIS HARNESS		
6	LE4199001	2	TAPTITE, PAN B M4X6D10		
7	LE1884001	2	LINK STOPPER		
8	LE7134001	1	W/O HANDSET COVER		
9	LG3397001	1	HOOK PCB ASSY, FAX8070P/MFC9070		
9	LG3735001	1	HOOK PCB ASSY, MFC9030		
10	UF8167008	4	ACTUATOR HOOK		
11	LE1885001	1	DOCUMENT BASE ASSY, GRAY(1495)		
12	LE1889001	1	SIDE COVER L		
13	LE1890001	1	SIDE COVER R		
14	085411215	4	SCREW, BIND B TITE 4X12		
15	LE1891001	1	DOCUMENT EJECTION TRAY		
16	LE1892001	1	DOCUMENT EJECTION SUB TRAY		
17	LE8109001	1	FEED ROLLER GROUNDING SPRING		

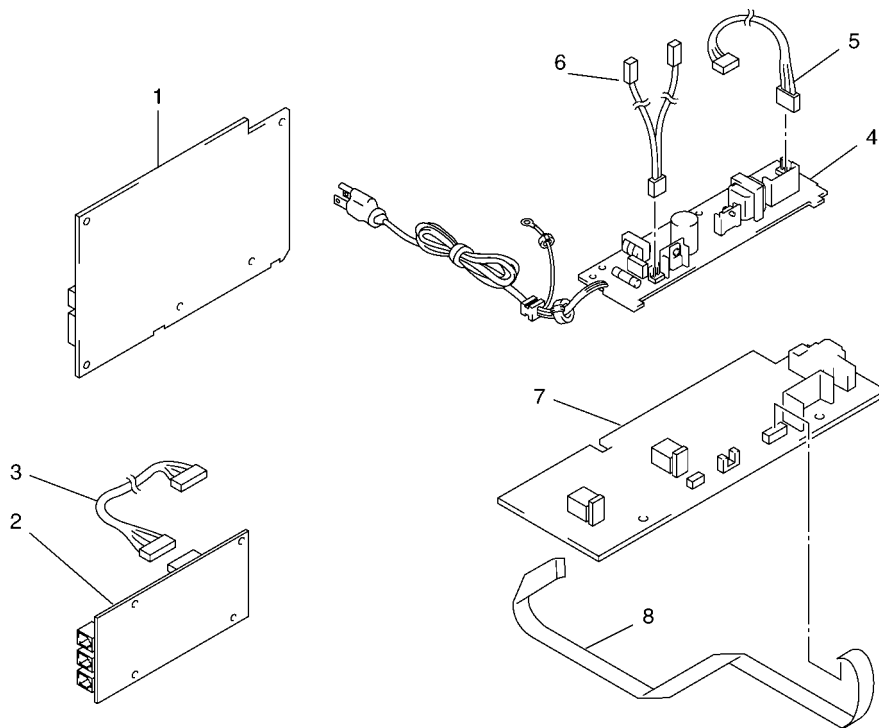


LIST7(CONTROL PANEL)

REF No.	CODE	QTY	DESCRIPTION	RECOMMEND	REMARK
1	LE7229001	1	CONTROL PANEL ASSY, GRAY(1495), FAX8070P FOR GER/AUS	1	
1	LE8033001	1	CONTROL PANEL ASSY, GRAY(1495), MFC9030 FOR GER	1	
1	LE7244001	1	CONTROL PANEL ASSY, GRAY(1495), MFC9070 FOR GER/AUS	1	
1	LE7235001	1	CONTROL PANEL ASSY, GRAY(1495), FAX8070P FOR UK/BEL/CHE/IRE/POL	1	
1	LE8042001	1	CONTROL PANEL ASSY, GRAY(1495), MFC9030 FOR UK	1	
1	LE7252001	1	CONTROL PANEL ASSY, GRAY(1495), MFC9070 FOR UK/BEL/CHE/IRE/ZAF/POL/GNR	1	
1	LE7241001	1	CONTROL PANEL ASSY, GRAY(1495), FAX8070P FOR FRA	1	
1	LE8046001	1	CONTROL PANEL ASSY, GRAY(1495), MFC9030 FOR FRA	1	
1	LE7255001	1	CONTROL PANEL ASSY, GRAY(1495), MFC9070 FOR FRA	1	
1	LE7507001	1	CONTROL PANEL ASSY, GRAY(1495), FAX8070P FOR NOR	1	
1	LE7484001	1	CONTROL PANEL ASSY, GRAY(1495), MFC9070 FOR NOR	1	
1	LE7525001	1	CONTROL PANEL ASSY, GRAY(1495), FAX8070P FOR NLD	1	
1	LE7497001	1	CONTROL PANEL ASSY, GRAY(1495), MFC9070 FOR NLD	1	
1	LE7705001	1	CONTROL PANEL ASSY, GRAY(1495), FAX8070P FOR FIN	1	
1	LE7544001	1	CONTROL PANEL ASSY, GRAY(1495), FAX8070P FOR DEN	1	
1	LE7513001	1	CONTROL PANEL ASSY, GRAY(1495), MFC9070 FOR DEN	1	
1	LE7549001	1	CONTROL PANEL ASSY, GRAY(1495), FAX8070P FOR SPA	1	
1	LE7520001	1	CONTROL PANEL ASSY, GRAY(1495), MFC9070 FOR SPA	1	
1	LE7553001	1	CONTROL PANEL ASSY, GRAY(1495), FAX8070P FOR ITA	1	
1	LE7529001	1	CONTROL PANEL ASSY, GRAY(1495), MFC9070 FOR ITA	1	
1	LE7557001	1	CONTROL PANEL ASSY, GRAY(1495), FAX8070P FOR SWE	1	
1	LE7534001	1	CONTROL PANEL ASSY, GRAY(1495), MFC9070 FOR SWE	1	
1-1	LE7126001	1	CONTROL PANEL, FAX8070P FOR GER/AUS		
1-1	LE7123001	1	CONTROL PANEL, MFC9030/MFC9070 FOR GER/AUS		
1-1	LE7128001	1	CONTROL PANEL, FAX8070P FOR UK/BEL/CHE/IRE/POL		
1-1	LE7125001	1	CONTROL PANEL, MFC9030/MFC9070 FOR UK/BEL/CHE/IRE/ZAF/POL/GNR		
1-1	LE7127001	1	CONTROL PANEL, FAX8070P FOR FRA		
1-1	LE7124001	1	CONTROL PANEL, MFC9030/MFC9070 FOR FRA		
1-1	LE7508001	1	CONTROL PANEL, FAX8070P FOR NOR		
1-1	LE7485001	1	CONTROL PANEL, MFC9070 FOR NOR		
1-1	LE7526001	1	CONTROL PANEL, FAX8070P FOR NLD		
1-1	LE7498001	1	CONTROL PANEL, MFC9070 FOR NLD		
1-1	LE7706001	1	CONTROL PANEL, FAX8070P FOR FIN		
1-1	LE7545001	1	CONTROL PANEL, FAX8070P FOR DEN		
1-1	LE7514001	1	CONTROL PANEL, MFC9070 FOR DEN		
1-1	LE7550001	1	CONTROL PANEL, FAX8070P FOR SPA		
1-1	LE7521001	1	CONTROL PANEL, MFC9070 FOR SPA		
1-1	LE7554001	1	CONTROL PANEL, FAX8070P FOR ITA		
1-1	LE7530001	1	CONTROL PANEL, MFC9070 FOR ITA		
1-1	LE7558001	1	CONTROL PANEL, FAX8070P FOR SWE		
1-1	LE7535001	1	CONTROL PANEL, MFC9070 FOR SWE		
1-2	LE4073003	1	KEY, TEN, GRAY(1495)		
1-3	LJ4285004	1	KEY, START, PURPLE(6255)		
1-4	LE6171002	1	KEY, COPY, GREEN(5159)		
1-5	LE6171004	1	KEY, STOP, PINK(2205)		
1-6	LE6168001	2	KEY, CURSOR L, PURPLE(6255)		
1-7	LE6169001	2	KEY, CURSOR S, PURPLE(6255)		
1-8	LE6350001	1	KEY, MENU FOR GER/AUS <GERMAN>		
1-8	LE6079001	1	KEY, MENU FOR UK/FRA/NOR/BEL/NLD/CHE/ IRE/FIN/DEN/SPA/ ITA/ZAF/POL/GNR <ENGLISH>		

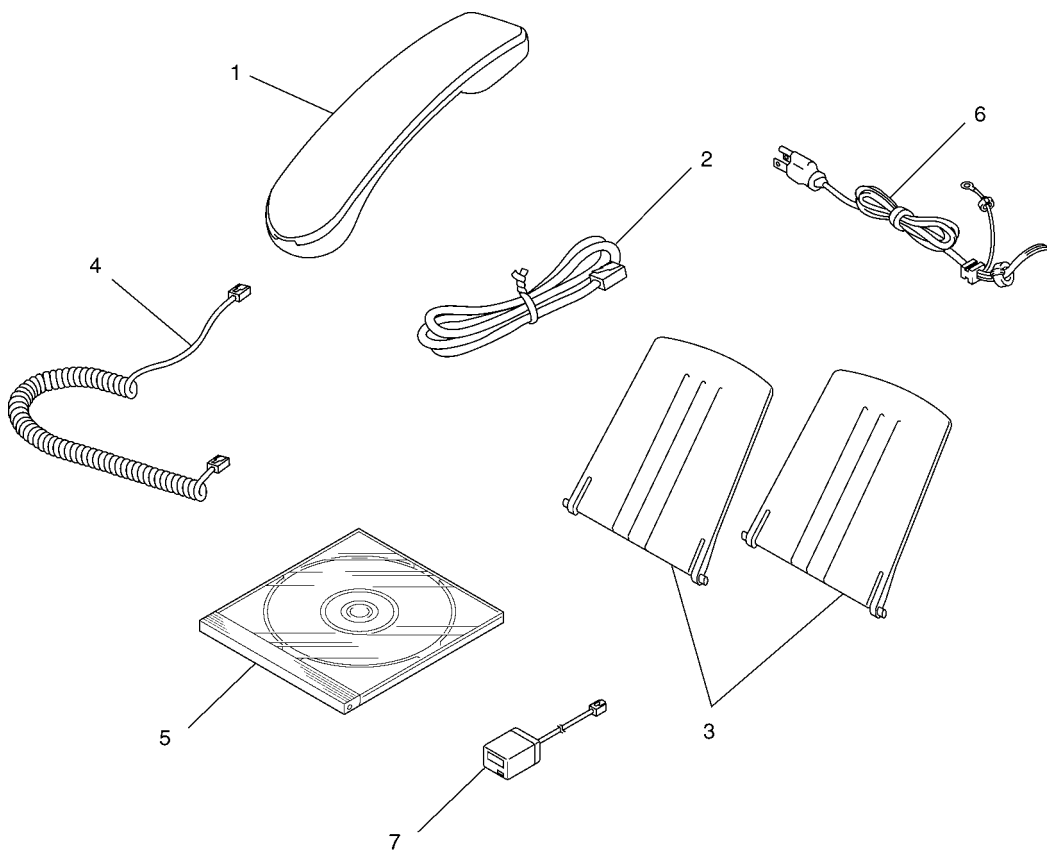
LIST7(CONTROL PANEL)

REF No.	CODE	QTY	DESCRIPTION	RECOMMEND	REMARK
1-9	LE7276001	13	KEY, CYLINDER 6, GRAY(1495)		
1-10	LG3394001	1	PANEL PCB ASSY, FAX8070P/MFC9070		
1-10	LG3173001	1	PANEL PCB ASSY, MFC9030		
1-11	LG3393001	1	LCD, FAX8070P/MFC9070		
1-11	LG3393001	1	LCD, MFC9030		
1-12	LE7129001	1	BACKLIGHT HOLDER, FAX8070P/MFC9030		
1-13	LE7130001	1	BACKLIGHT DIFFUSER, FAX8070P/MFC9030		
1-14	LG3248001	1	KEY, FPC ASSY		
1-15	LE1925001	1	PANEL REAR COVER		
1-16	LE6342001	1	DOCUMENT PRESSURE BAR ASSY		
1-17	UU2057001	1	DOCUMENT PRESSURE BAR SPRING		
1-18	LE1926001	1	SEPARATION RUBBER		
1-19	UU7105001	1	ADF PLATE SPRING		
1-20	LE1961001	1	FRONT PLATE SPRING		
1-21	UF5034001	1	TAPTITE, B 3X6		
1-22	LE6176001	1	ACTUATOR F		
1-23	LE6177001	1	ACTUATOR R		
1-24	UF9009001	2	PINCH ROLLER		
1-25	LE1927001	1	PINCH ROLLER SPRING		
1-26	LE2471001	1	PRESSURE ROLLER SHAFT		
1-27	LE1071001	1	ANTI-STATIC BRUSH 79MM		
1-28	LE7298001	1	ANTI-STATIC BRUSH 65MM		
1-29	087310815	2	TAPTITE, CUP B M3X8		
2	LE7132001	1	PANEL SHEET, FAX8070P		
2	LE8034001	1	PANEL SHEET, MFC9030		
2	LE7131001	1	PANEL SHEET, MFC9070		
3	LE5308001	1	ADDRESS LABEL, FAX8070P		



LIST8(PCB)

REF No.	CODE	QTY	DESCRIPTION	RECOMMEND	REMARK
1	LG3388001	1	MAIN PCB ASSY, FAX8070P	1	
1	LG3736001	1	MAIN PCB ASSY, MFC9030	1	
1	LG3385001	1	MAIN PCB ASSY, MFC9070	1	
2	LG3490031	1	NCU PCB ASSY FOR GER/CHE	1	
2	LG2810014	1	NCU PCB ASSY FOR UK/NOR/FIN/DEN/ZAF/SWE/GNR	1	
2	LG3490032	1	NCU PCB ASSY FOR FRA/BEL/NLD/IRE/AUS/SPA/ITA	1	
2	LG2821001	1	NCU PCB ASSY FOR POL	1	
3	LG3491001	1	NCU HARNESS		
4	LG3478001	1	LOW-VOLTAGE POWER SUPPLY PCB ASSY	1	
5	LG3195001	1	LV HARNESS		
6	LG3196001	1	HEATER HARNESS		
7	LG3197001	1	HIGH-VOLTAGE POWER SUPPLY PCB ASSY	1	
8	LG3198001	1	HV HARNESS		
(9)	LG3429001	1	BATTERY		



LIST9(Accessories)

REF No.	CODE	QTY	DESCRIPTION	RECOMMEND	REMARK
1	----		NOT USED		
2	UG3625001	1	TELEPHONE LINE CORD FOR GER		
2	UG3626001	1	TELEPHONE LINE CORD FOR UK/ZAF		
2	UG3627001	1	TELEPHONE LINE CORD FOR FRA		
2	UG3629001	1	TELEPHONE LINE CORD FOR NOR		
2	UG1575001	1	TELEPHONE LINE CORD FOR BEL		
2	LG3077001	1	TELEPHONE LINE CORD FOR NLD/IRE/SPA/POL/GNR		
2	UG3469000	1	TELEPHONE LINE CORD FOR CHE		
2	UG3632001	1	TELEPHONE LINE CORD FOR FIN		
2	UG3633001	1	TELEPHONE LINE CORD FOR DEN		
2	UG4205001	1	TELEPHONE LINE CORD FOR AUS		
2	UG3634001	1	TELEPHONE LINE CORD FOR ITA		
2	UG3635001	1	TELEPHONE LINE CORD FOR SWE		
3	UU2080008	2	DOCUMENT SET TRAY ASSY, CLEAR PURPLE(6342)		
4	----		NOT USED		
5	LE8035001	1	CD-ROM ASSY, MFC9030 FOR GER/UK/FRA		
5	LE7899001	1	CD-ROM ASSY<GERMAN/ENGLISH/FRENCH>, MFC9070 FOR GER/UK/FRA/BEL/CHE/IRE/AUS/ZAF/ POL		
5	LE7499001	1	CD-ROM ASSY<DUTCH/FRENCH/ITALIAN/SPANISH>, MFC9070 FOR BEL/NLD/SPA/ITA		
5	LE7486001	1	CD-ROM ASSY <ENGLISH/NORWEGIAN/DANISH/SWEDISH>, MFC9070 FOR NOR/DEN/SWE/GNR		
6	LG2085001	1	AC CORD FOR GER/FRA/NOR/BEL/NLD/FIN/AUS/SPA/ITA/SWE/ POL/GNR(VDE)	1	
6	LG2086001	1	AC CORD FOR UK/IRE(BS)	1	
6	LG2087001	1	AC CORD FOR CHE(SEV)		
6	LG2181001	1	AC CORD FOR DEN(DEMCO)	1	
6	LG3661001	1	AC CORD FOR ZAF(SAF)	1	
7	----		NOT USED		
(8)	----		NOT USED		
(9)	----		NOT USED		
(10)	UG4558001	1	PARALLEL INTERFACE CABLE, MFC9070 FOR GER/UK/IRE/AUS/ZAF/POL/GNR		

LIST10(PRINTED MATERIAL)

REF No.	CODE	QTY	DESCRIPTION	RECOMMEND	REMARK
(1)	LE7231001	1	OWNER'S MANUAL ASSY, FAX8070P FOR GER/AUS (INCLUDING OWNER'S MANUAL, WARRANTY CARD, ADDRESS LABEL)	1	
(1)	LE7248001	1	OWNER'S MANUAL ASSY, MFC9030/MFC9070 FOR GER/AUS (INCLUDING OWNER'S MANUAL, WARRANTY CARD, LICENSE AGREEMENT SHEET)	1	
(1)	LE7238001	1	OWNER'S MANUAL ASSY, FAX8070P FOR UK (INCLUDING OWNER'S MANUAL, 3 WARRANTY CARDS, ADDRESS LABEL)	1	
(1)	LE8101001	1	OWNER'S MANUAL ASSY, MFC9030/MFC9070 FOR UK (INCLUDING OWNER'S MANUAL, 3 WARRANTY CARDS, LICENSE AGREEMENT SHEET)	1	
(1)	LE7242001	1	OWNER'S MANUAL ASSY, FAX8070P FOR FRA (INCLUDING OWNER'S MANUAL, 2 WARRANTY CARDS, ADDRESS LABEL)	1	
(1)	LE8105001	1	OWNER'S MANUAL ASSY, MFC9030/MFC9070 FOR FRA (INCLUDING OWNER'S MANUAL, 2 WARRANTY CARDS, LICENSE AGREEMENT SHEET)	1	
(1)	LE7561001	1	OWNER'S MANUAL ASSY, FAX8070P FOR NOR (INCLUDING OWNER'S MANUAL, WARRANTY CARD, ADDRESS LABEL)	1	
(1)	LE7489001	1	OWNER'S MANUAL ASSY, MFC9070 FOR NOR (INCLUDING OWNER'S MANUAL, WARRANTY CARD, LICENSE AGREEMENT SHEET)	1	
(1)	LE7562001	1	OWNER'S MANUAL ASSY, FAX8070P FOR BEL (INCLUDING 2 OWNER'S MANUALS, WARRANTY CARD, ADDRESS LABEL)	1	
(1)	LE7492001	1	OWNER'S MANUAL ASSY, MFC9070 FOR BEL (INCLUDING 2 OWNER'S MANUALS, WARRANTY CARD, LICENSE AGREEMENT SHEET)	1	
(1)	LE7563001	1	OWNER'S MANUAL ASSY, FAX8070P FOR NLD (INCLUDING OWNER'S MANUAL, WARRANTY CARD, ADDRESS LABEL)	1	
(1)	LE7502001	1	OWNER'S MANUAL ASSY, MFC9070 FOR NLD (INCLUDING OWNER'S MANUAL, WARRANTY CARD, LICENSE AGREEMENT SHEET)	1	
(1)	LE7564001	1	OWNER'S MANUAL ASSY, FAX8070P FOR CHE (INCLUDING 2 OWNER'S MANUALS, WARRANTY CARD, ADDRESS LABEL)	1	
(1)	LE7504001	1	OWNER'S MANUAL ASSY, MFC9070 FOR CHE (INCLUDING 2 OWNER'S MANUALS, WARRANTY CARD, LICENSE AGREEMENT SHEET)	1	
(1)	LE7569001	1	OWNER'S MANUAL ASSY, FAX8070P FOR IRE (INCLUDING OWNER'S MANUAL, WARRANTY CARD, ADDRESS LABEL)	1	
(1)	LE7511001	1	OWNER'S MANUAL ASSY, MFC9070 FOR IRE (INCLUDING OWNER'S MANUAL, WARRANTY CARD, LICENSE AGREEMENT SHEET)	1	
(1)	LE7707001	1	OWNER'S MANUAL ASSY, FAX8070P FOR FIN (INCLUDING OWNER'S MANUAL, ADDRESS LABEL)	1	
(1)	LE7565001	1	OWNER'S MANUAL ASSY, FAX8070P FOR DEN (INCLUDING OWNER'S MANUAL, WARRANTY CARD, ADDRESS LABEL)	1	
(1)	LE7515001	1	OWNER'S MANUAL ASSY, MFC9070 FOR DEN (INCLUDING OWNER'S MANUAL, WARRANTY CARD, LICENSE AGREEMENT SHEET)	1	
(1)	LE7566001	1	OWNER'S MANUAL ASSY, FAX8070P FOR SPA (INCLUDING OWNER'S MANUAL, 2 WARRANTY CARDS, ADDRESS LABEL)	1	
(1)	LE7522001	1	OWNER'S MANUAL ASSY, MFC9070 FOR SPA (INCLUDING OWNER'S MANUAL, 2 WARRANTY CARDS, LICENSE AGREEMENT SHEET)	1	
(1)	LE7567001	1	OWNER'S MANUAL ASSY, FAX8070P FOR ITA (INCLUDING OWNER'S MANUAL, WARRANTY CARD, ADDRESS LABEL)	1	
(1)	LE7531001	1	OWNER'S MANUAL ASSY, MFC9070 FOR ITA (INCLUDING OWNER'S MANUAL, WARRANTY CARD, LICENSE AGREEMENT SHEET)	1	
(1)	LE7539001	1	OWNER'S MANUAL ASSY, MFC9070 FOR ZAF/GNR (INCLUDING OWNER'S MANUAL, LICENSE AGREEMENT SHEET)	1	
(1)	LE7568001	1	OWNER'S MANUAL ASSY, FAX8070P FOR SWE (INCLUDING OWNER'S MANUAL, 2 WARRANTY CARDS, ADDRESS LABEL)	1	

LIST10(PRINTED MATERIAL)

REF No.	CODE	QTY	DESCRIPTION	RECOMMEND	REMARK
(1)	LE7536001	1	OWNER'S MANUAL ASSY, MFC9070 FOR SWE (INCLUDING OWNER'S MANUAL, 2 WARRANTY CARDS, LICENSE AGREEMENT SHEET)	1	
(1)	LE8198001	1	OWNER'S MANUAL ASSY, FAX8070P FOR POL (INCLUDING OWNER'S MANUAL, WARRANTY CARD, ADDRESS LABEL)	1	
(1)	LE8202001	1	OWNER'S MANUAL ASSY, MFC9070 FOR POL (INCLUDING OWNER'S MANUAL, WARRANTY CARD, LICENSE AGREEMENT SHEET)	1	
(1-1)	LE7232001	1	OWNER'S MANUAL, FAX8070P FOR GER/AUS		
(1-1)	LE7249001	1	OWNER'S MANUAL, MFC9030 FOR GER		
(1-1)	LE8086001	1	OWNER'S MANUAL, MFC9030/MFC9070 FOR GER/AUS		
(1-1)	LE8087004	1	OWNER'S MANUAL FOR UK/IRE/ZAF/GNR		
(1-1)	LE8087005	1	OWNER'S MANUAL FOR FRA		
(1-1)	LE7237007	1	OWNER'S MANUAL FOR NOR		
(1-1)	LE7237008	1	OWNER'S MANUAL FOR BEL <DUTCH>		
(1-1)	LE7493008	1	OWNER'S MANUAL FOR BEL/CHE <FRENCH>		
(1-1)	LE7237009	1	OWNER'S MANUAL FOR NLD		
(1-1)	LE7237010	1	OWNER'S MANUAL FOR CHE <GERMAN>		
(1-1)	LE7237012	1	OWNER'S MANUAL FOR FIN		
(1-1)	LE7237013	1	OWNER'S MANUAL FOR DEN		
(1-1)	LE7237015	1	OWNER'S MANUAL FOR SPA		
(1-1)	LE7237016	1	OWNER'S MANUAL FOR ITA		
(1-1)	LE7237026	1	OWNER'S MANUAL FOR SWE		
(1-1)	LE8087039	1	OWNER'S MANUAL FOR POL		

LIST11(PACKAGING)

REF No.	CODE	QTY	DESCRIPTION	RECOMMEND	REMARK
(1)	LE7233001	1	CARTON, BROTHER, FAX8070P	1	
(1)	LE8038001	1	CARTON, BROTHER, MFC9030	1	
(1)	LE7250001	1	CARTON, BROTHER, MFC9070	1	
(2)	LE1938001	1	STYROFOAM ASSY		
(3)	LE7033001	1	PROTECTION SHEET(PANEL)		
(4)	LJ5584001	1	BAG, 700X800H		
(5)	LE7046001	1	CARTON, FOR MANUAL		
(6)	UU0456001	1	PROTECTION PAPER(ADF)		
(7)	LE7413001	1	START CARD, FAX8070P FOR GER/AUS		
(7)	LE8040001	1	START CARD, MFC9030 FOR GER		
(7)	LE7416001	1	START CARD, MFC9070 FOR GER/AUS		
(7)	LE7414001	1	START CARD, FAX8070P FOR UK/IRE		
(7)	LE8044001	1	START CARD, MFC9030/MFC9070 FOR UK/IRE/ZAF		
(7)	LE7417004	4	START CARD, MFC9070 FOR UK/IRE/ZAF		
(7)	LE7415001	1	START CARD, FAX8070P FOR FRA		
(7)	LE8048001	1	START CARD, MFC9030/MFC9070 FOR FRA		
(7)	LE7418004	4	START CARD, MFC9070 FOR FRA		
(7)	LE7510001	1	START CARD, FAX8070P FOR NOR		
(7)	LE7491001	1	START CARD, MFC9070 FOR NOR		
(7)	LE7791001	1	START CARD, FAX8070P FOR BEL/CHE <FRENCH>		
(7)	LE7506001	1	START CARD, MFC9070 FOR BEL/CHE <FRENCH>		
(7)	LE7528001	1	START CARD, FAX8070P FOR BEL <DUTCH>		
(7)	LE7496001	1	START CARD, MFC9070 FOR BEL <DUTCH>		
(7)	LE7789001	1	START CARD, FAX8070P FOR NLD		
(7)	LE7790001	1	START CARD, MFC9070 FOR NLD		
(7)	LE7542001	1	START CARD, FAX8070P FOR CHE <GERMAN>		
(7)	LE7792001	1	START CARD, MFC9070 FOR CHE <GERMAN>		
(7)	LE7709001	1	START CARD, FAX8070P FOR FIN		
(7)	LE7547001	1	START CARD, FAX8070P FOR DEN		
(7)	LE7517001	1	START CARD, MFC9070 FOR DEN		
(7)	LE7552001	1	START CARD, FAX8070P FOR SPA		
(7)	LE7524001	1	START CARD, MFC9070 FOR SPA		
(7)	LE7556001	1	START CARD, FAX8070P FOR ITA		
(7)	LE7533001	1	START CARD, MFC9070 FOR ITA		
(7)	LE7538001	1	START CARD, MFC9070 FOR SWE		
(7)	LE7560001	1	START CARD, FAX8070P FOR SWE		
(7)	LE7538001	1	START CARD, MFC9070 FOR SWE		
(7)	LE8200001	1	START CARD, FAX8070P FOR POL		
(7)	LE8204001	1	START CARD, MFC9070 FOR POL		
(7)	LE7633001	1	START CARD, MFC9070 FOR GNR		
(8)	UL7932001	1	BAG 400X480(FOR TONER/DRUM)		