



FACSIMILE EQUIPMENT

PARTS REFERENCE LIST

MODEL: MFC9660 / FAX8360P

FAX8370

**(For Germany / United Kingdom / France /
Norway / Belgium / Netherlands /
Switzerland / Ireland / Finland / Denmark /
Austria / Spain / Italy / South Africa /
Sweden)**

(For Australia / New Zealand / Asia / China)

NOTES FOR USING THIS PARTS REFERENCE LIST

1. In the case of ordering parts, it needs mentioning the following items:

- (1) Code
- (2) Q' ty
- (3) Description

Note: No orders without Parts Code or Tool No. can be accepted.

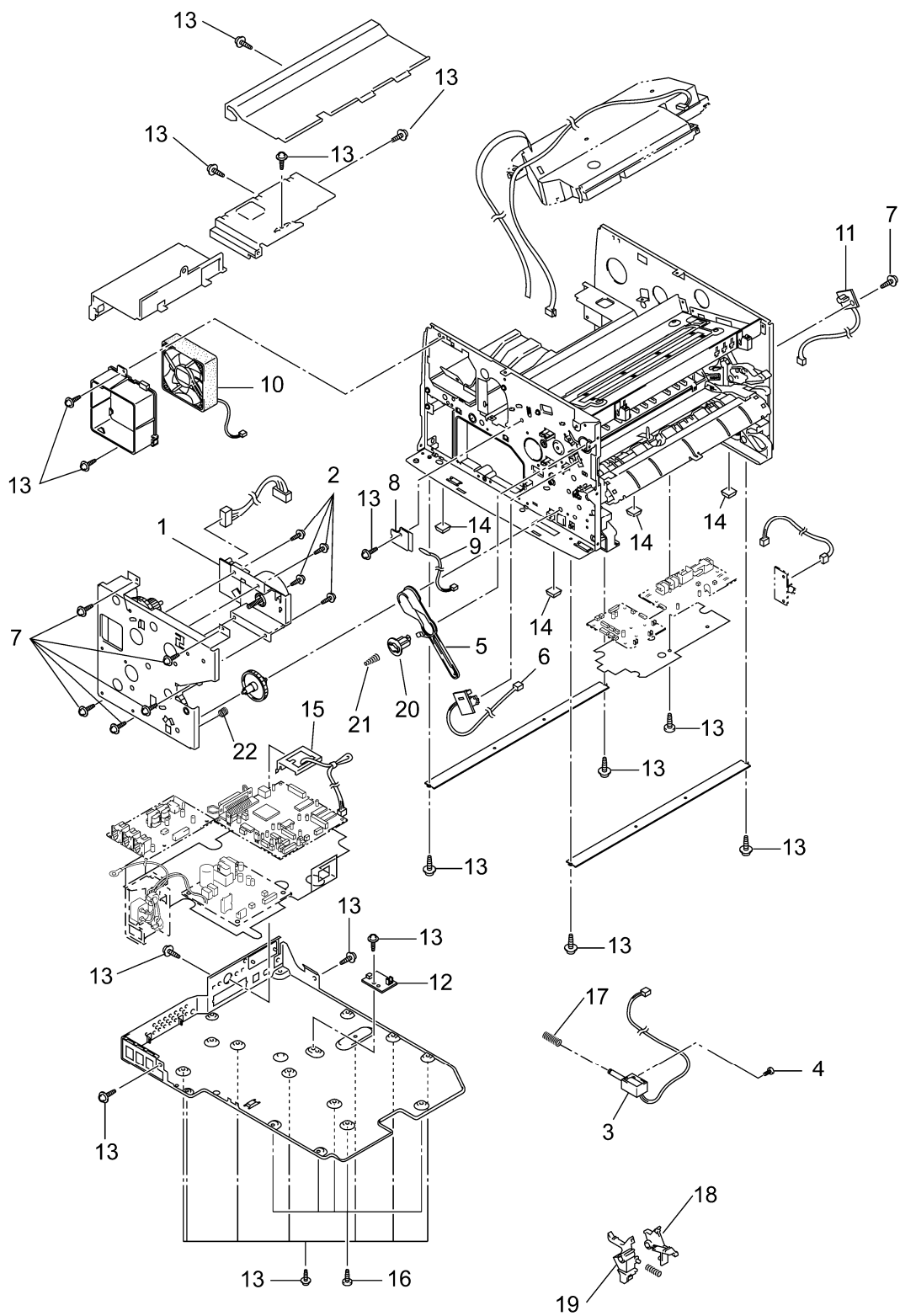
[Example]

REF.NO.	CODE	Q' TY	DESCRIPTION	RECOMMEND	REMARKS

2. Parts change will be informed by the technical information.

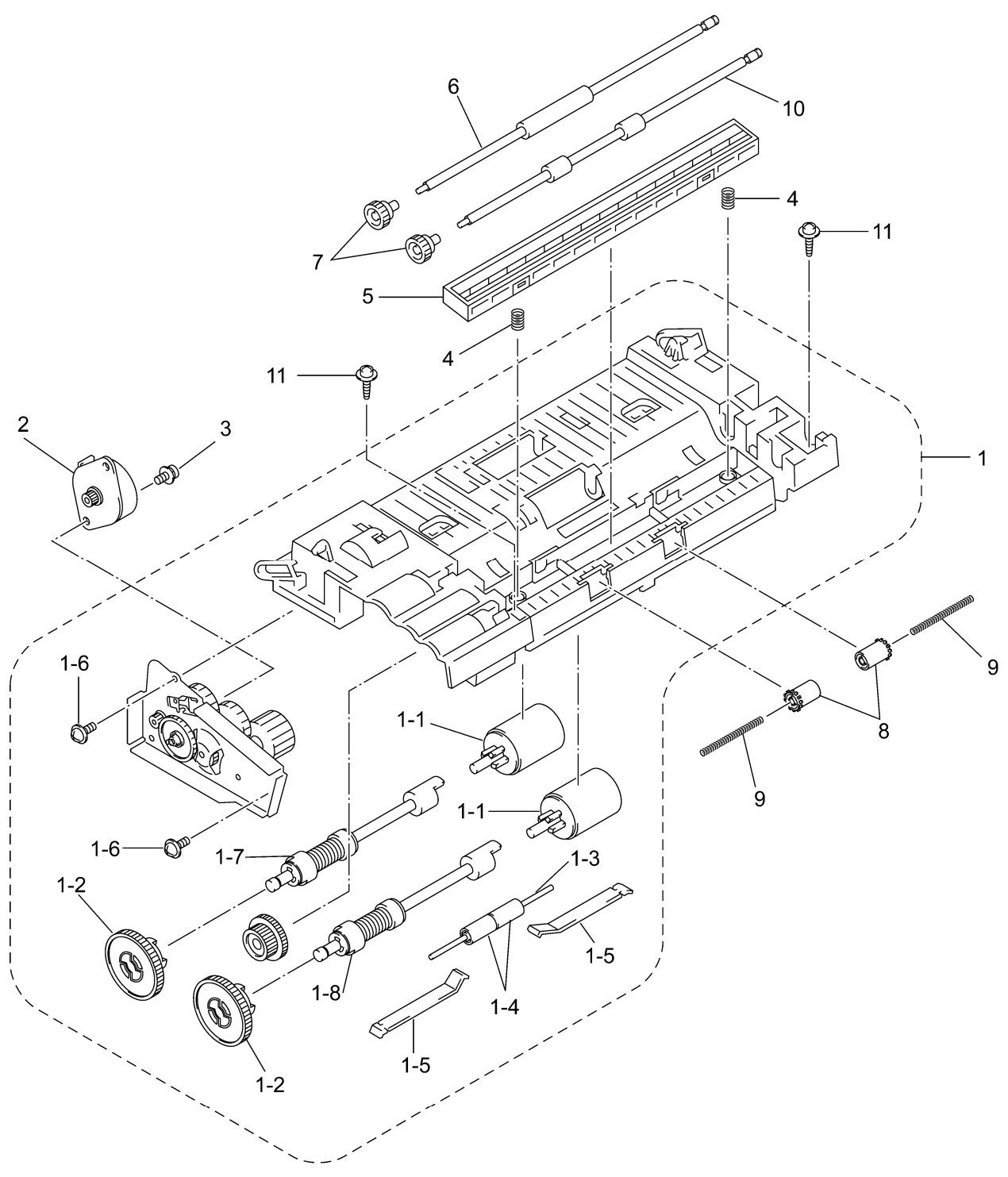
COUNTRIES

GERMANY ---- GER
UNITED KINGDOM ---- UK
FRANCE ---- FRA
NORWAY ---- NOR
BELGIUM ---- BEL
NETHERLANDS ---- NLD
SWITZERLAND ---- CHE
IRELAND ---- IRE
FINLAND ---- FIN
DENMARK ---- DEN
AUSTRIA ---- AUS
SPAIN ---- SPA
ITALY ---- ITA
SOUTH AFRICA ---- ZAF
SWEDEN ---- SWE
AUSTRALIA ---- ARL
ASIA ---- ASA
CHINA ---- CHN



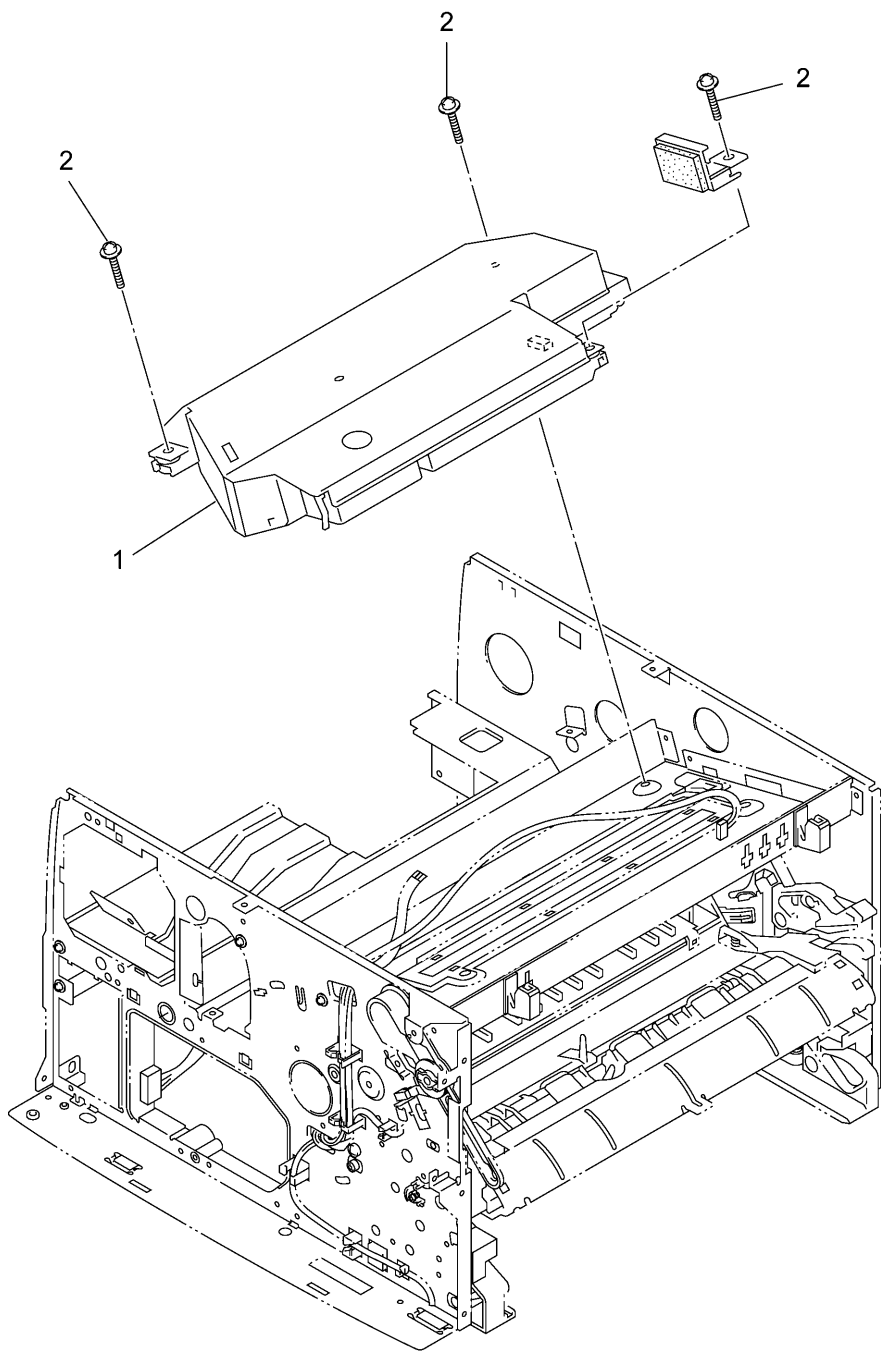
LIST1 (MAIN FRAME)

REF No.	CODE	QTY	DESCRIPTION	RECOMMEND	REMARK	ORDER TO BIUK
1	LE1744001	1	MAIN MOTOR ASSY			
2	087320616	4	TAPTITE, CUP S M3X6			
3	LJ5701001	1	SOLENOID ASSY			
4	000300415	1	SCREW, BIND M3X4			
5	UL8984001	1	FRONT COVER LINK			
6	LJ5704001	1	TONER SENSOR (LED) PCB			
7	087320616	6	TAPTITE, CUP S M3X6			
8	LE1166001	1	THERMISTOR FILM			
9	LG2423001	1	THERMISTOR ASSY			
10	LJ4745001	1	FAN MOTOR UNIT			
11	UL9104001	1	TONER SENSOR (RECEIVER) PCB			
12	UG6217001	1	PAPER EJECTION SENSOR PCB			
13	087320616	23	TAPTITE, CUP S M3X6			
14	LJ7403001	4	RUBBER FOOT			
15	LJ8031001	1	2ND CASSETTE RELAY PCB			
16	085411215	5	SCREW, BIND B TITE M4X12			
17	LJ5703001	1	SOLENOID RELEASE SPRING			
18	UL8972001	1	P/R CLUTCH LEVER			
19	UL8971001	1	F/R CLUTCH LEVER			
20	UL8982001	1	DEVELOP JOINT			
21	UL8983001	1	JOINT SPRING			
22	UL8959004	4	FRICTION SPRING			



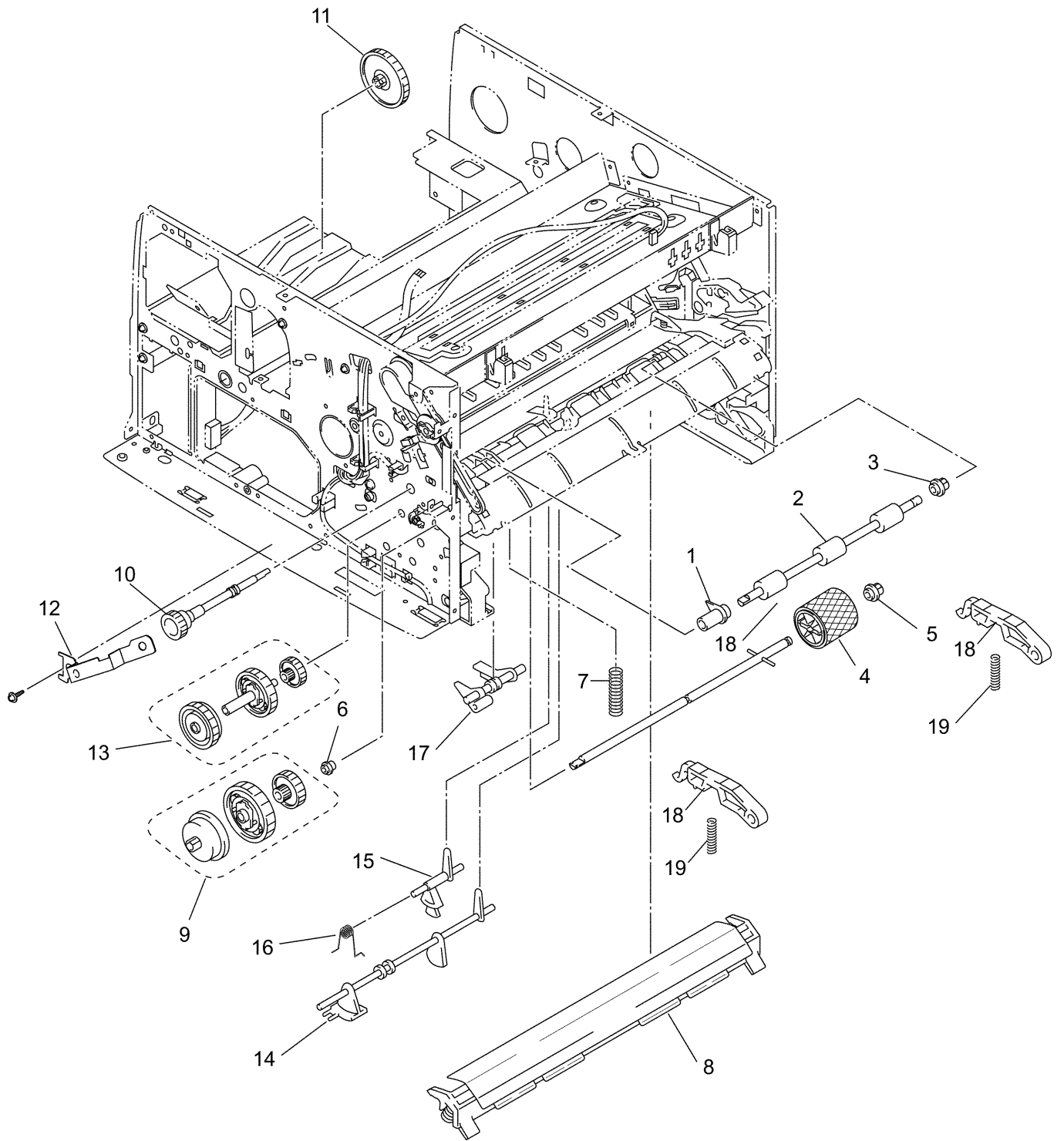
LIST2 (DOCUMENT SCANNER)

REF No.	CODE	QTY	DESCRIPTION	RECOMMEND	REMARK	ORDER TO BIUK
1	LE1164001	1	DOCUMENT SCANNER ASSY	1		
1-1	LE1072001	2	DOCUMENT SEPARATION ROLLER ZLM			
1-2	UL5632000	2	DOCUMENT SEPARATION ROLLER GEAR 43			
1-3	UF4369000	1	PRESSURE ROLLER SHAFT			
1-4	UF9009001	2	PRESSER ROLLER			
1-5	UU7032001	2	PRESSER ROLLER LEAF SPRING			
1-6	087310815	2	TAPTITE, CUP B M3X8			
1-7	UU2006001	1	DOCUMENT TAKE-IN ROLLER SHAFT ASSY, WHITE			
1-8	UU2008001	1	SEPARATION ROLLER SHAFT ASSY, BLACK			
2	UU2027001	1	SCANNER MOTOR			
3	0A4300605	1	SCREW, PAN (WASHER) M3X6			
4	UU2028001	2	CIS SPRING			
5	LE7949001	1	CIS UNIT (SP)	1		
6	UU2029001	1	DOCUMENT FEED ROLLER			
7	LE1196001	2	DOCUMENT FEED ROLLER GEAR			
8	UL6244002	2	PINCH ROLLER			
9	UU2009001	2	PINCH ROLLER SPRING			
10	UU2031001	1	EJECTION ROLLER			
11	087311016	2	TAPTITE, CUP B M3X10			



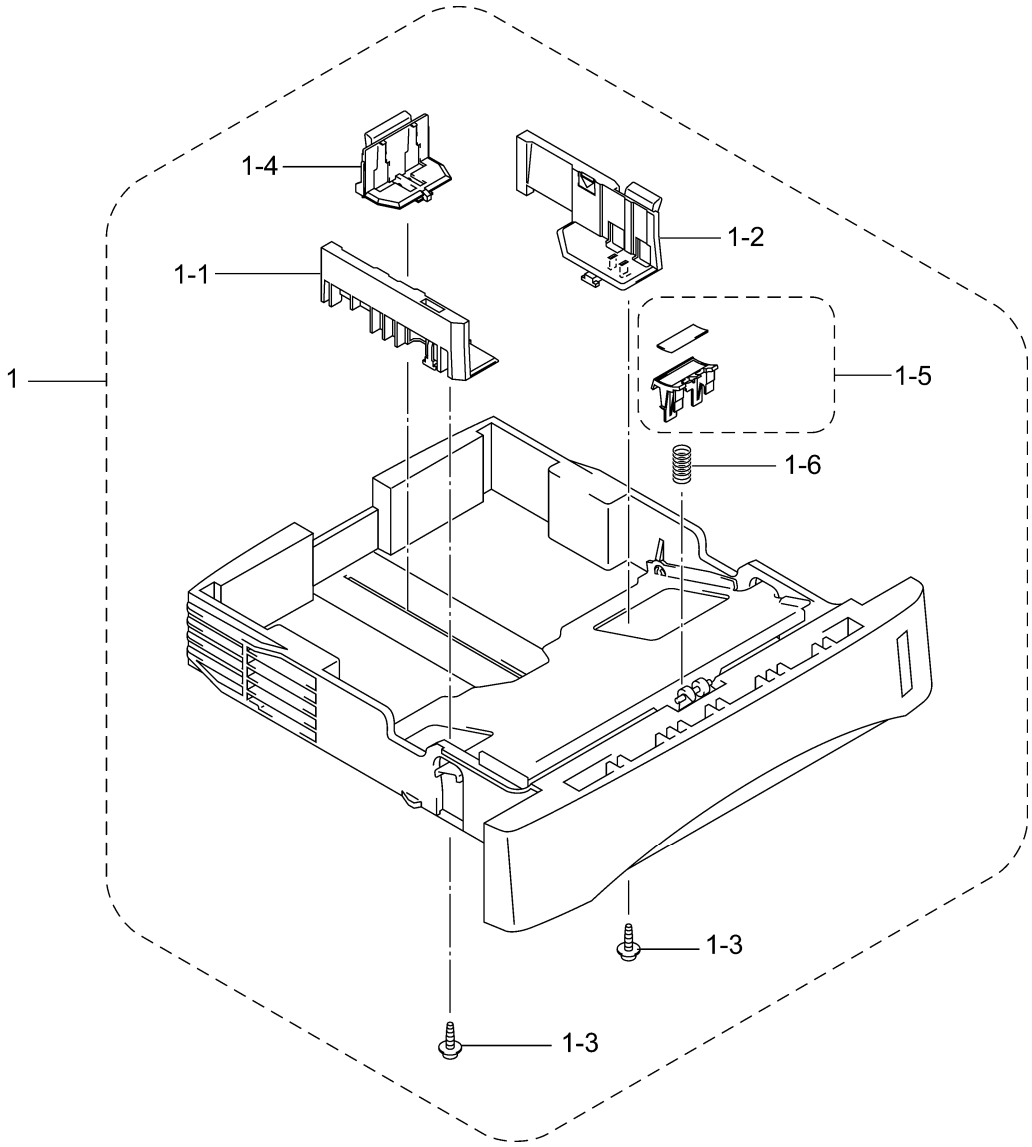
LIST3 (LASER UNIT)

REF No.	CODE	QTY	DESCRIPTION	RECOMMEND	REMARK	ORDER TO BIUK
1	LJ5828001	1	LASER UNIT ASSY(SP)	1		
2	087321615	3	TAPTITE, CUP S M3X16			



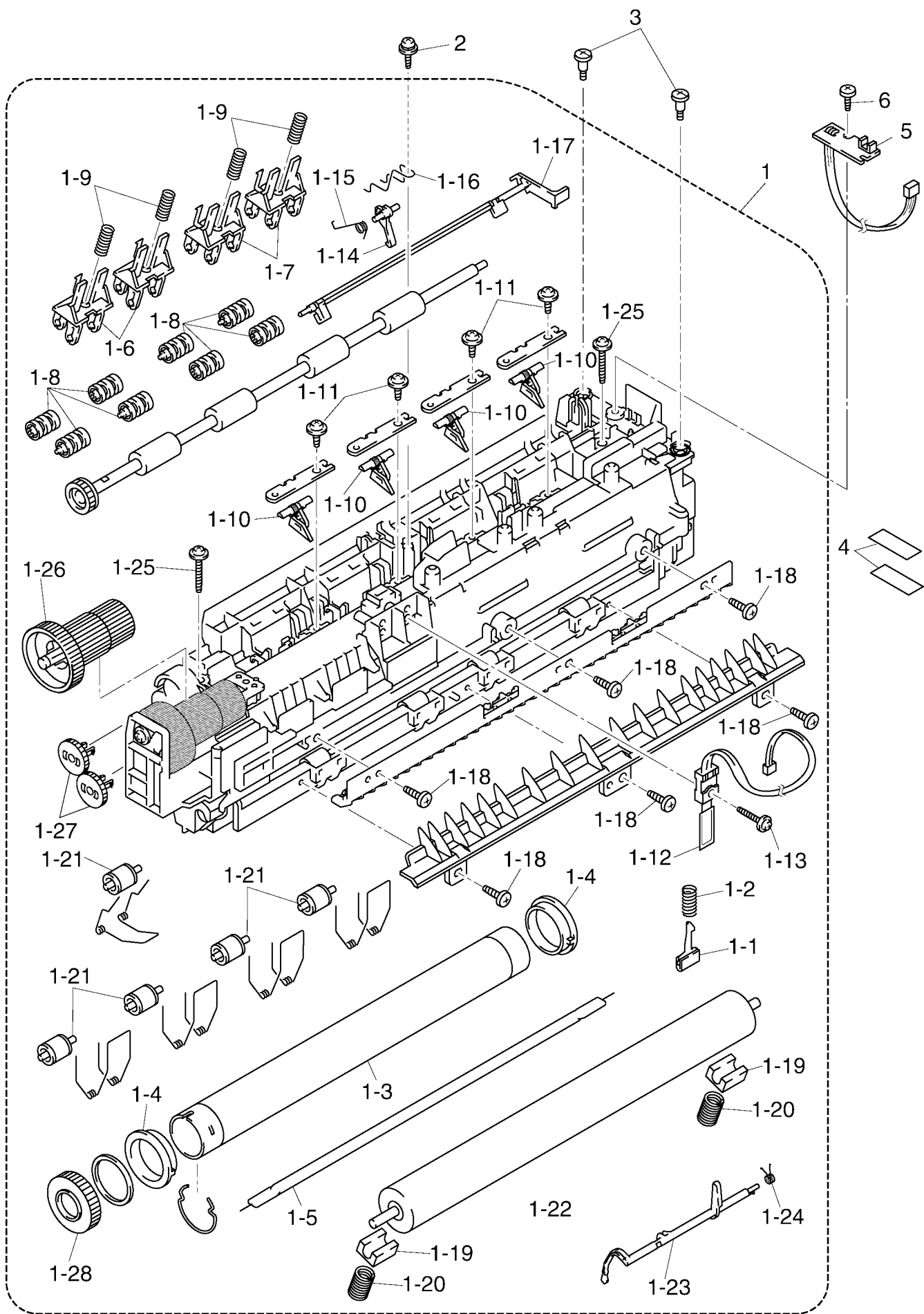
LIST4 (PAPER TRANSPORT)

REF No.	CODE	QTY	DESCRIPTION	RECOMMEND	REMARK	ORDER TO BIUK
1	UL9059001	1	JOINT			
2	UL9060001	1	PAPER FEED ROLLER ASSY			
3	UL9062001	1	PAWLED BUSHING			
4	UL9066001	1	PAPER PICK-UP ROLLER ASSY			
5	UL9062001	1	PAWLED BUSHING			
6	UL9069001	1	CONDUCTIVE BUSHING			
7	LJ4499001	1	ELECTRODE SPRING			
8	LJ4843001	1	OUTER CHUTE 1 (SP)			
9	LJ5591001	1	PLANET GEAR ASSY (SP)			
10	UL9070001	1	GEAR 21			
11	UL8985001	1	GEAR 59			
12	LJ5705001	1	GEAR 21 PRESSURE PLATE			
13	LJ5838001	1	PLANET GEAR ASSY B (SP)			
14	UL9049001	1	MANUAL INSERTION SENSOR ACTUATOR			
15	UL9050001	1	REGISTRATION SENSOR ACTUATOR			
16	UL9051001	1	REGISTRATION SENSOR SPRING			
17	UU2042001	1	CASSETTE SENSOR ACTUATOR			
18	UL9053001	2	TRANSFER ARM			ADD
19	UL9052001	2	TRANSFER SPRING			ADD



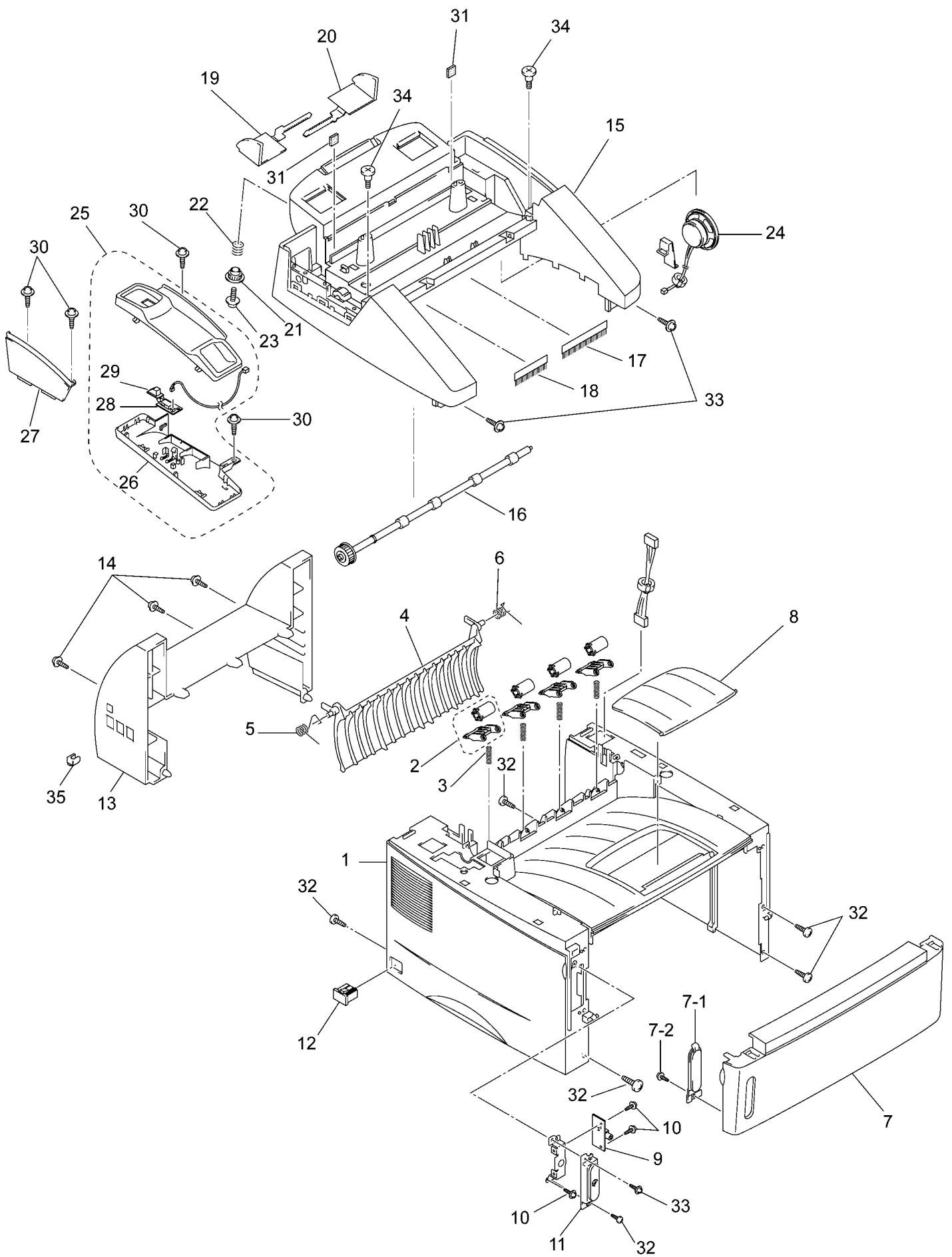
LIST5 (PAPER TRAY)

REF No.	CODE	QTY	DESCRIPTION	RECOMMEND	REMARK	ORDER TO BIUK
1	LE1162001	1	PAPER TRAY ASSY, LEGAL, MFC9660 FOR GER/UK/FRA/NOR/BEL/NLD/CHE/IRE/FIN/DEN/AUS/SPA/ITA/SWE (SP)	1		
1	LJ4181001	1	PAPER TRAY ASSY, MFC9660 FOR ARL/NZ/ASA, FAX8360P, FAX8370 (SP)	1		
1-1	UL9078001	1	SIDE GUIDE L, BLUE(6155)			
1-2	UL9079001	1	SIDE GUIDE R, BLUE(6155)			
1-3	U73515001	2	SCREW, CUP B M2.6X5			
1-4	UL9083001	1	PAPER REAR GUIDE, BLUE(6155)			
1-5	UL9084001	1	SEPARATION PAD SUPPORT ASSY			
1-6	UL9090001	1	SEPARATION PAD SPRING			



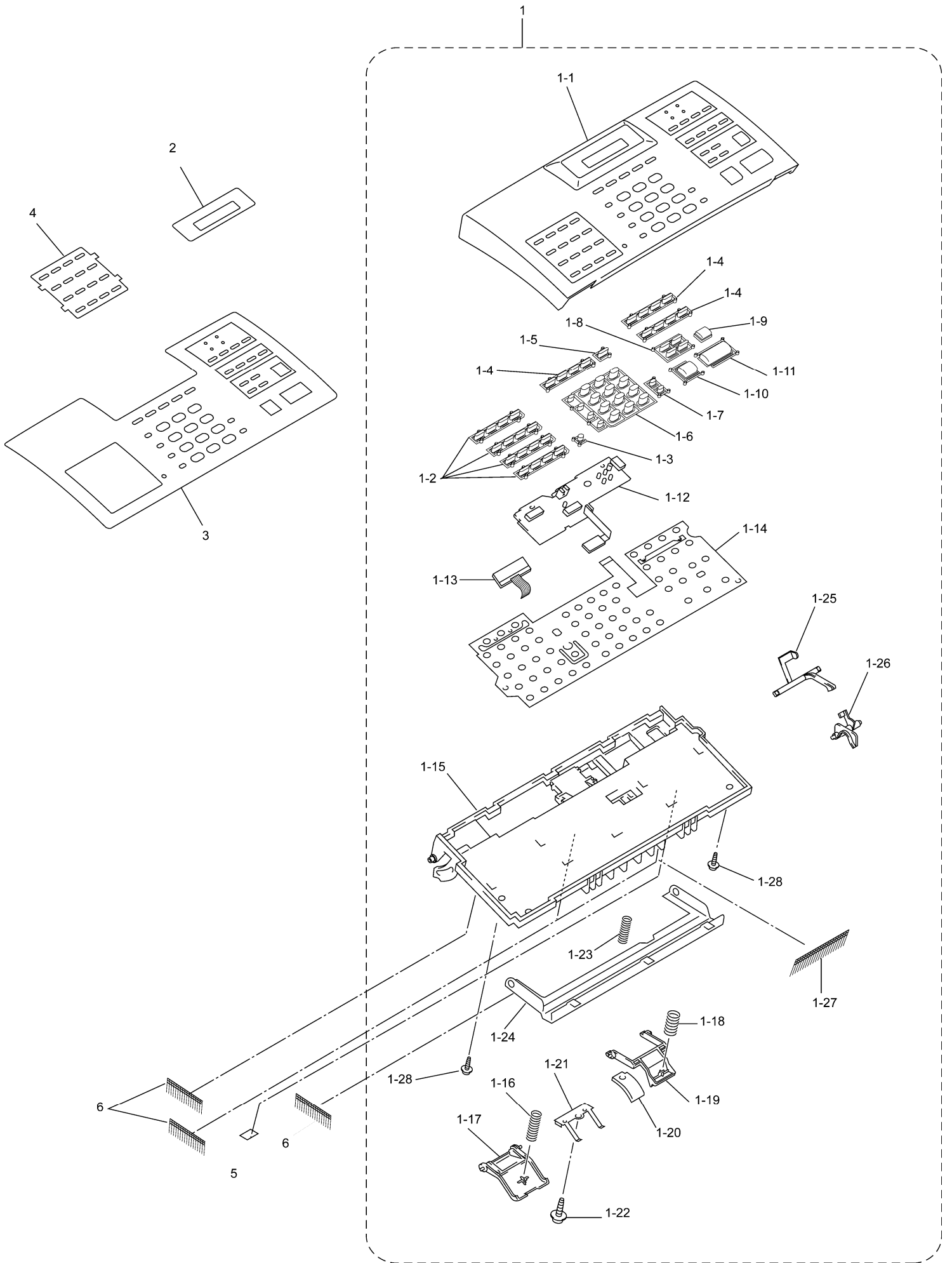
LIST6 (HEAT FIXING UNIT)

REF No.	CODE	QTY	DESCRIPTION	RECOMMEND	REMARK	ORDER TO BIUK
1	LJ7162001	1	FIXING UNIT, 230V (SP)	1		
1-1	LJ5682001	1	CLEANER ASSY			
1-2	UH3635001	1	CLEANER SPRING 30			
1-3	LJ5684001	1	HEAT ROLLER 25			
1-4	UL8908001	2	HR BEARING 25			
1-5	LJ5695001	1	HALOGEN LAMP, 230V			
1-6	LJ5276001	2	EJECT PINCH ROLLER HOLDER L			
1-7	LJ5277001	2	EJECT PINCH ROLLER HOLDER R			
1-8	LJ5278001	8	EJECT PINCH ROLLER			
1-9	LJ5279001	4	EJECT PINCH SPRING			
1-10	LJ7877001	4	PICK OFF FINGER ASSY C		CHG	
1-11	087310615	4	TAPTITE, CUP B M3X6			
1-12	LJ5686001	1	THERMISTOR ASSY			
1-13	085311216	1	SCREW, BIND B TITE 3X12			
1-14	LJ5734001	1	EJECT ACTUATOR 2			
1-15	LJ5732001	1	EJECT ACTUATOR SPRING 2			
1-16	LJ5736001	1	ACTUATOR HOLDER			
1-17	LJ5735001	1	EJECT ACTUATOR 3			
1-18	085311015	6	SCREW, BIND B TITE 3X10			
1-19	UL8916001	2	PR BEARING			
1-20	LJ5690001	2	PR SPRING			
1-21	LJ5268001	5	CLEANER PINCH ROLLER ASSY			
1-22	LJ5287001	1	PRESSURE ROLLER 25			
1-23	UL8920001	1	PAPER EJECT ACTUATOR			
1-24	UL8921001	1	EJECT ACTUATOR SPRING			
1-25	087312015	2	TAPTITE, CUP B M3X20			
1-26	UL8923001	1	FU DRIVER GEAR			
1-27	LM2047001	2	IDLE GEAR 13		chg	
1-28	UL8910001	1	HR GEAR 34		add	
2	087320815	1	TAPTITE, CUP S M3X8			
3	LJ4740001	2	SHOULDER SCREW			
4	LJ4432001	2	TAPE 32X12			
5	LJ8841001	1	JAM SENSOR PCB ASSY			
6	085311015	1	SCREW, BIND B TITE 3X10			



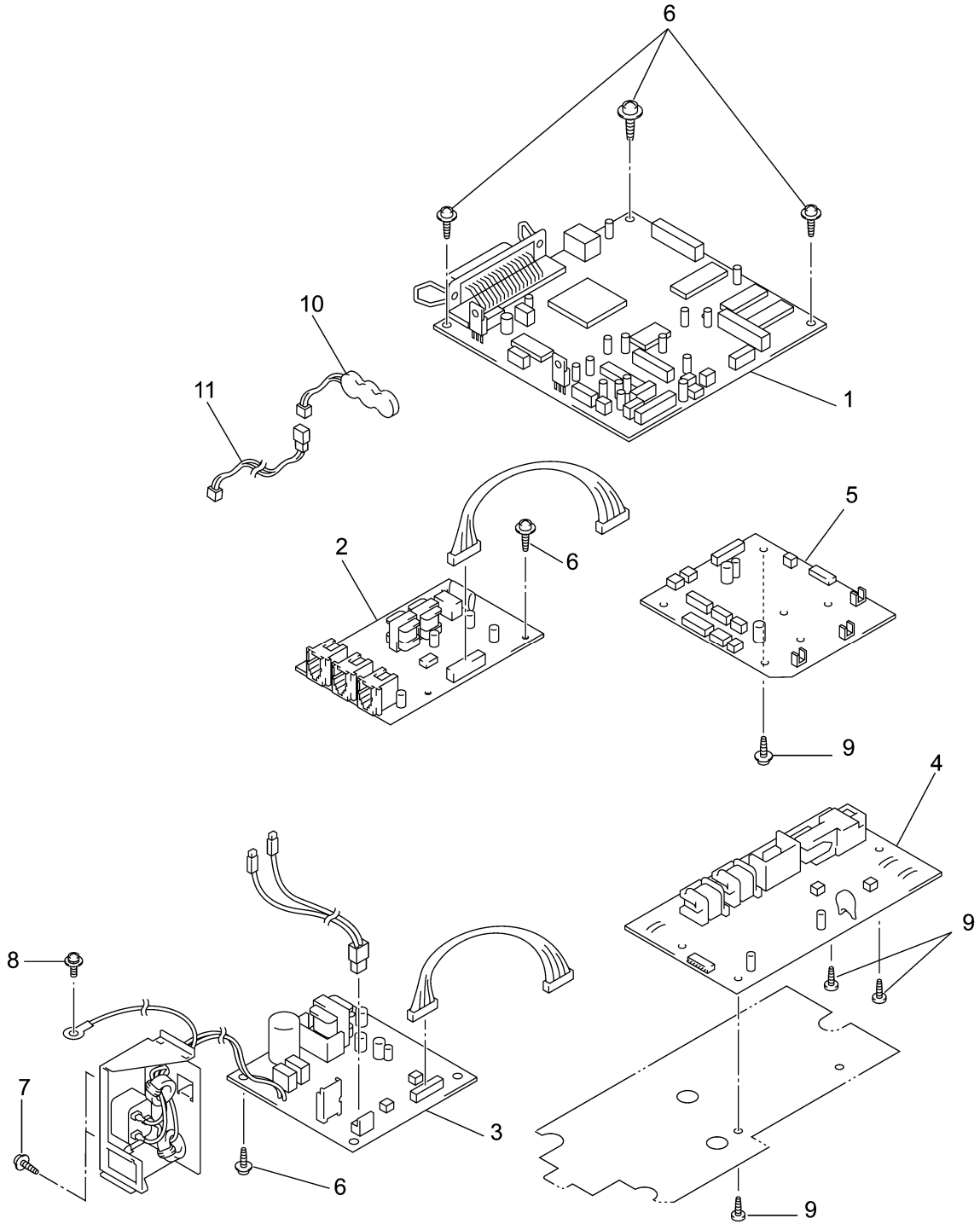
LIST7 (COVER)

REF No.	CODE	QTY	DESCRIPTION	RECOMMEND	REMARK	ORDER TO BIUK
1	LJ5751001	1	MAIN COVER ASSY, GRAY(1495)			
2	UL9122001	4	PINCH ROLLER ASSY			
3	UL9125001	4	PINCH ROLLER SPRING			
4	LJ5763001	1	OUTER CHUTE, GRAY(1495)			
5	UL9127001	1	CHUTE SPRING L			
6	UL9128001	1	CHUTE SPRING R			
7	UU2102003	1	FRONT COVER ASSY, EXCEPT FOR FAX8370, GRAY(1495)			
7	LE8478001	1	FRONT COVER ASSY, FAX8370, GRAY(1495)			
7-1	UU2094001	1	FRONT SUB COVER, GRAY(1495)			
7-2	087310815	1	TAPTITE, CUP B M3X8			
8	UL9140001	1	PAPER SUB TRAY, GRAY(1495)			
9	----		NOT USED			
10	----		NOT USED			
11	----		NOT USED			
12	UU2045001	1	SWITCH COVER, GRAY(1495)			
13	UU2002001	1	REAR COVER, GRAY(1495)			
14	0A5401006	3	SCREW, PAN (S/P WASHER) M4X10			
15	UU2003001	1	TOP COVER, GRAY(1495)			
16	UL9142001	1	EXIT ROLLER ASSY			
17	LJ4125001	1	ANTI-STATIC BRUSH (LONG)			
18	LE1242001	1	ANTI-STATIC BRUSH (SHORT)			
19	UF6114008	1	DOCUMENT GUIDE, L, EXCEPT FOR FAX8370, GRAY(1495)			
19	UF6114009	1	DOCUMENT GUIDE, L, FOR FAX8370, CLEAR PURPLE(6342)		added	
20	UF6115008	1	DOCUMENT GUIDE, R, EXCEPT FOR FAX8370, GRAY(1495)			
20	UF6115009	1	DOCUMENT GUIDE, R, FOR FAX8370, CLEAR PURPLE(6342)		added	
21	UF4417000	1	GUIDE GEAR			
22	UF4418001	1	SPRING, COMPRESSION			
23	UF5034001	1	TAPTITE, B 3X6			
24	LG2210001	1	SPEAKER UNIT			
25	UU2048001	1	HANDSET HOLDER ASSY, FAX8370		added	
26	UF8166008	1	LOWER HANDSET HOLDER, FAX8370		added	
27	LE1023001	1	DUMMY COVER, EXCEPT FOR FAX8370			
28	UG5030001	1	HOOK PCB ASSY, FAX8370		added	
29	UF8167008	1	ACTUATOR HOOK, FAX8370		added	
30	087311016	2	TAPTITE, CUP B M3X10			
31	----		NOT USED			
32	085320816	5	TAPTITE, BIND S M3X8			
33	087321015	2	TAPTITE, CUP S M3X10			
34	UF9823001	2	SHOULDER SCREW			
35	UF5745000	1	MJ COVER FOR GER/UK/FRA/BEL/FIN/DEN/AUS/ITA/ZAF/SWE			
36	LE8190001	1	SUB BACK COVER, FAX8360P		CHG	



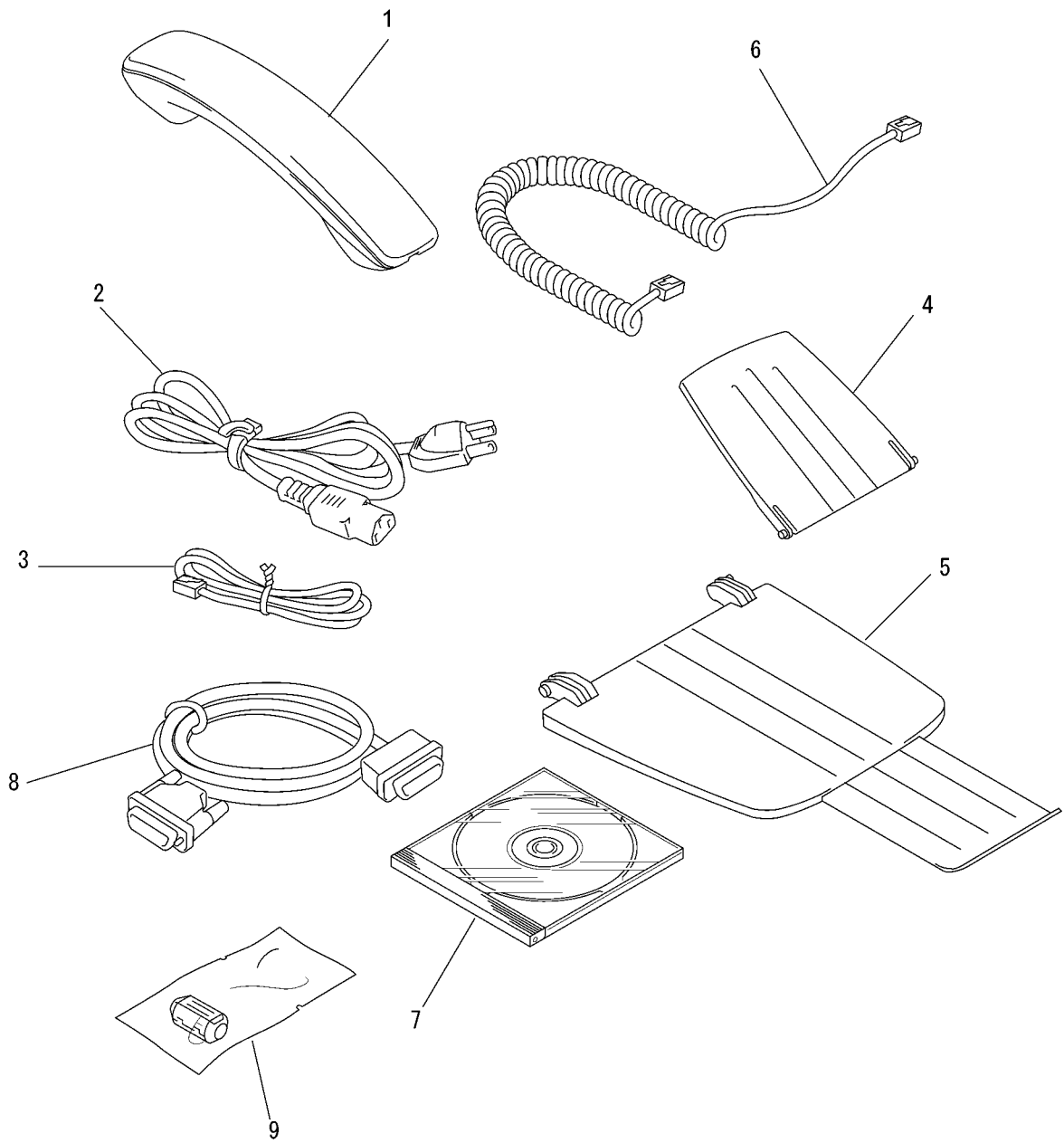
LIST8 (CONTROL PANEL)

REF No.	CODE	QTY	DESCRIPTION	RECOMMEND	REMARK	ORDER TO BIUK
1	LE7308001	1	CONTROL PANEL ASSY, MFC9660	1		
1	LE8071001	1	CONTROL PANEL ASSY, FAX8360P/FAX8370			
1-1	UU2004001	1	CONTROL PANEL, GRAY(1495)			
1-2	UF8176008	4	KEY, ONE TOUCH, GRAY(1495)			
1-3	UF4576008	1	KEY, SHIFT, GRAY(1495)			
1-4	UF9118006	3	KEY, FUNCTION, GRAY(1495), MFC9660			
1-4	UF9118006	2	KEY, FUNCTION, GRAY(1495), FAX8360P/FAX8370			
1-5	UF5581010	1	KEY, FUNCTION91, GRAY(1495)			
1-6	UF4393007	1	KEY, TEN, GRAY(1495)			
1-7	UU7099008	1	KEY, VOLUME, GRAY(1495)			
1-8	UU7100008	1	KEY, COPY AREA, GRAY(1495)			
1-9	UF8174009	1	KEY, COPY, GREEN(5159)			
1-10	UF8173004	1	KEY, STOP, PINK(2205)			
1-11	UF8172006	1	KEY, START, PURPLE(6255)			
1-12	LG2212001	1	CONTROL PANEL PCB ASSY			
1-13	UG4552000	1	LCD			
1-14	LE1155001	1	FPC KEY (SP)			
1-15	UU2005001	1	PANEL REAR COVER			
1-16	UU2051001	1	DOCUMENT NIP PIECE SPRING			
1-17	UU2052001	1	DOCUMENT NIP PIECE			
1-18	UU2053001	1	ADF SPRING			
1-19	UU2054001	1	SPILLING PLATE, B			
1-20	UU2055001	1	SEPARATION RUBBER			
1-21	UU2056001	1	SPRING PLATE, A			
1-22	UF5034001	1	TAPTITE, B 3X6			
1-23	UU2057001	1	DOCUMENT PRESSURE SPRING			
1-24	LE6342001	1	DOCUMENT PRESSURE BAR ASSY			
1-25	UU2061001	1	DOCUMENT FRONT SENSOR ACTUATOR			
1-26	UU2062001	1	DOCUMENT REAR SENSOR ACTUATOR			
1-27	LE7305001	1	ANTI-STATIC BRUSH			
1-28	087310815	2	TAPTITE, CUP B M3X8			
2	UU2063002	1	LCD SHEET			
3	LE7319001	1	PANEL SHEET, MFC9660 FOR GER/AUS	1		o
3	LE8173001	1	PANEL SHEET, FAX8360P FOR GER/AUS	1		o
3	LE7329001	1	PANEL SHEET, MFC9660 FOR UK/BEL/NLD/CHE/IRE	1		o
3	LE8177001	1	PANEL SHEET, FAX8360P FOR UK/BEL/NLD/CHE/IRE/ZAF/GNR	1		o
3	LE7333001	1	PANEL SHEET, MFC9660 FOR FRA	1		o
3	LE8181001	1	PANEL SHEET, FAX8360P FOR FRA	1		o
3	LE7691001	1	PANEL SHEET, MFC9660 FOR NOR	1		o
3	LE8209001	1	PANEL SHEET, FAX8360P FOR NOR	1		o
3	LE7692001	1	PANEL SHEET, MFC9660 FOR FIN	1		o
3	LE7693001	1	PANEL SHEET, MFC9660 FOR DEN	1		o
3	LE7694001	1	PANEL SHEET, MFC9660 FOR SPA	1		o
3	LE8219001	1	PANEL SHEET, FAX8360P FOR SPA	1		o
3	LE7695001	1	PANEL SHEET, MFC9660 FOR ITA	1		o
3	LE7696001	1	PANEL SHEET, MFC9660 FOR SWE	1		o
3	LE8222001	1	PANEL SHEET, FAX8360P FOR SWE	1		o
3	LE7856001	1	PANEL SHEET, MFC9660 FOR ARL/NZ/ASA	1		
3	LE8231001	1	PANEL SHEET, FAX8360P FOR ARL/NZ/ASA	1		
3	LE8450001	1	PANEL SHEET, FAX8370	1		
4	UU2067001	1	ADDRESS LABEL, GRAY(1495)		added	
5	LE1706001	2	HOLE SHIELD FILM			
6	LE7304001	3	ANTI-STATIC SUB BRUSH			



LIST9 (PCB ASSY)

REF No.	CODE	QTY	DESCRIPTION	RECOMMEND	REMARK	ORDER TO BIUK
1	LG4034001	1	MAIN PCB ASSY, MFC9660	1		
1	LG3928001	1	MAIN PCB ASSY, FAX8360P	1		
1	LG4039001	1	MAIN PCB ASSY, FAX8370	1	added	
2	LG2295061	1	NCU PCB ASSY FOR GER/UK/FRA/NOR/BEL/NLD/CHE/IRE/FIN/DEN/AUS/SPA/ ITA/ZAF/SWE/GNR	1		
2	LG2819002	1	NCU PCB ASSY FOR ARL/NZ	1		
2	LG2821002	1	NCU PCB ASSY FOR ASA	1		
2	LG2820070	1	NCU PCB ASSY, FAX8370	1	added	
3	LG4016001	1	LOW VOLTAGE POWER SUPPLY PCB ASSY, 230V EXCEPT FOR ASA/CHN	1		
3	LG4023001	1	LOW VOLTAGE POWER SUPPLY PCB ASSY, 230V FOR ASA/CHN	1		
4	LJ5831001	1	HIGH-VOLTAGE POWER SUPPLY ASSY (SP)	1		
5	LG3256001	1	ENGINE PCB ASSY	1		
6	087320616	5	TAPTITE, CUP S M3X6			
7	084320815	2	SCREW, FLAT S M3X8			
8	0A5350606	1	SCREW, PAN(WASHER)M3.5X6			
9	085411215	4	SCREW, BIND B TITE M4X12			
10	LG3623001	1	BATTERY			
11	LG3624001	1	BATTERY HARNESS			



LIST10 (ACCESSORIES)

REF No.	CODE	QTY	DESCRIPTION	RECOMMEND	REMARK	ORDER TO BIUK
1	UF6857010	1	HANDSET ASSY, FAX8370		add	
2	LG2358001	1	AC CORD ASSY, EUR VDE FOR GER/FRA/NOR/BEL/NLD/FIN/AUS/SPA/ITA/SWE/GNR	1		o
2	LG2359001	1	AC CORD ASSY, EUR BS FOR UK/IRE	1		o
2	LG2360001	1	AC CORD ASSY, EUR SEV FOR CHE	1		o
2	LG2361001	1	AC CORD ASSY, EUR DEMCO, FOR DEN	1		o
2	LG2162001	1	AC CORD ASSY, SAA FOR ARL/NZ	1		
2	LG3661001	1	AC CORD ASSY, SAF FOR ZAF	1		o
2	LG2085001	1	AC CORD ASSY, VDE FOR ASA	1		
2	LG2086001	1	AC CORD ASSY, BS, FOR ASA	1		
2	LJ9353001	1	AC CORD ASSY LF FOR CHN	1	CHG	
3	UG3625001	1	TELEPHONE LINE CORD FOR GER			o
3	UG3626001	1	TELEPHONE LINE CORD FOR UK/ZAF			o
3	UG3627001	1	TELEPHONE LINE CORD FOR FRA			o
3	UG3629001	1	TELEPHONE LINE CORD FOR NOR			o
3	UG1575001	1	TELEPHONE LINE CORD FOR BEL			o
3	LG3077001	1	TELEPHONE LINE CORD FOR NLD/IRE/SPA/ASA/ARL/GNR/CHN, FAX8360P FOR NZ			
3	UG3469000	1	TELEPHONE LINE CORD FOR CHE			o
3	UG3632001	1	TELEPHONE LINE CORD FOR FIN			
3	UG3633001	1	TELEPHONE LINE CORD FOR FIN			
3	UG4205001	1	TELEPHONE LINE CORD FOR AUS			o
3	UG3634001	1	TELEPHONE LINE CORD FOR ITA			
3	UG3635001	1	TELEPHONE LINE CORD FOR SWE			o
3	UG3290001	1	TELEPHONE LINE CORD FOR NZ, FAX8360P FOR ARL			
4	UU2080008	1	DOCUMENT SUPPORT, CLEAR PURPLE(6342)			
5	UU2069008	1	DOCUMENT TRAY, CLEAR PURPLE(6342)			
6	UF7204008	1	HANDSET CURLED CORD LL ASSY, FAX8370		add	
7	LE7320001	1	CD-ROM ASSY, MFC9660 FOR GER/UK/FRA/CHE/IRE/AUS			o
7	LE7860001	1	CD-ROM ASSY, MFC9660 FOR NOR/DEN/SWE			o
7	LE7857001	1	CD-ROM ASSY, MFC9660 FOR SPA/ITA			o
7	LE7960001	1	CD-ROM ASSY, MFC9660 FOR BEL/NLD/FIN			o
7	LE8155001	1	CD-ROM ASSY, MFC9660 FOR ARL/NZ/ASA			
8	UG4558001	1	I/F CABLE, MFC9660 FOR GER/UK/IRE/AUS/ARL/NZ/ASA			
9	LE7699004	4	FERRITE CORE BAG ASSY FOR ARL/ASA		del	
(10)	LG3622001	1	TELEPHONE PLUG FOR NLD			
(10)	LG3509001	1	TELEPHONE PLUG FOR ARL, FAX8360P FOR NZ			
(10)	UG1573000	1	TELEPHONE PLUG FOR BEL			
(11)	LE8773001	1	CD-ROM ASSY XP, MFC9660 FOR GER/UK/FRA/CHE/IRE/AUS		add	
(11)	LE8775001	1	CD-ROM ASSY XP, MFC9660 FOR NOR/DEN/SWE		add	
(11)	LE8776001	1	CD-ROM ASSY XP, MFC9660 FOR BEL/NLD/FIN		add	
(11)	LE8774001	1	CD-ROM ASSY XP, MFC9660 FOR SPA/ITA		add	
(11)	LE8917001	1	CD-ROM ASSY , FOR FAX8370		add	

LIST11 (PRINTED MATERIAL)

REF No.	CODE	QTY	DESCRIPTION	RECOMMEND	REMARK	ORDER TO BIUK
(1)	LE7324001	1	OWNER'S MANUAL ASSY, MFC9660 FOR GER/AUS (INCLUDING OWNER'S MANUAL(1-1), PAN EURO WARRANTY LEAFLET, LICENSE AGREEMENT SHEET)	1		o
(1)	LE8174001	1	OWNER'S MANUAL ASSY, FAX8360P FOR GER/AUS (INCLUDING OWNER'S MANUAL(1-1), PAN EURO WARRANTY LEAFLET)	1		o
(1)	LE7330001	1	OWNER'S MANUAL ASSY, MFC9660 FOR UK (INCLUDING OWNER'S MANUAL(1-1), PAN EURO WARRANTY LEAFLET, LICENSE AGREEMENT SHEET,	1		o
(1)	LE8178001	1	2 WARRANTY CARDS) OWNER'S MANUAL ASSY, FAX8360P FOR UK (INCLUDING OWNER'S MANUAL(1-1), PAN EURO WARRANTY LEAFLET, 2 WARRANTY CARDS)	1		o
(1)	LE7334001	1	OWNER'S MANUAL ASSY, MFC9660 FOR FRA (INCLUDING OWNER'S MANUAL(1-1), PAN EURO WARRANTY LEAFLET, LICENSE AGREEMENT SHEET, WARRANTY CARD)	1		o
(1)	LE8182001	1	OWNER'S MANUAL ASSY, FAX8360P FOR FRA (INCLUDING OWNER'S MANUAL(1-1), PAN EURO WARRANTY LEAFLET, WARRANTY CARD)	1		o
(1)	LE7902001	1	OWNER'S MANUAL ASSY, MFC9660 FOR NOR (INCLUDING OWNER'S MANUAL(1-1), PAN EURO WARRANTY LEAFLET, LICENSE AGREEMENT SHEET)	1		o
(1)	LE8210001	1	OWNER'S MANUAL ASSY, FAX8360P FOR NOR (INCLUDING OWNER'S MANUAL(1-1), PAN EURO WARRANTY LEAFLET)	1		o
(1)	LE7922001	1	OWNER'S MANUAL ASSY, MFC9660 FOR BEL (INCLUDING 2 OWNER'S MANUALS(1-1), PAN EURO WARRANTY LEAFLET, LICENSE AGREEMENT SHEET)	1		o
(1)	LE8212001	1	OWNER'S MANUAL ASSY, FAX8360P FOR BEL (INCLUDING 2 OWNER'S MANUALS(1-1), PAN EURO WARRANTY LEAFLET)	1		o
(1)	LE7905001	1	OWNER'S MANUAL ASSY, MFC9660 FOR NLD (INCLUDING OWNER'S MANUAL(1-1), PAN EURO WARRANTY LEAFLET, LICENSE AGREEMENT SHEET)	1		o
(1)	LE8216001	1	OWNER'S MANUAL ASSY, FAX8360P FOR NLD (INCLUDING OWNER'S MANUAL(1-1), PAN EURO WARRANTY LEAFLET)	1		o
(1)	LE7907001	1	OWNER'S MANUAL ASSY, MFC9660 FOR CHE (INCLUDING 2 OWNER'S MANUALS(1-1), PAN EURO WARRANTY LEAFLET, LICENSE AGREEMENT SHEET)	1		o
(1)	LE8217001	1	OWNER'S MANUAL ASSY, FAX8360P FOR CHE (INCLUDING 2 OWNER'S MANUALS(1-1), PAN EURO WARRANTY LEAFLET)	1		o
(1)	LE7909001	1	OWNER'S MANUAL ASSY, MFC9660 FOR IRE (INCLUDING OWNER'S MANUAL(1-1), PAN EURO WARRANTY LEAFLET, LICENSE AGREEMENT SHEET)	1		o
(1)	LE8229001	1	OWNER'S MANUAL ASSY, FAX8360P FOR IRE (INCLUDING OWNER'S MANUAL(1-1), PAN EURO WARRANTY LEAFLET)	1		o
(1)	LE7912001	1	OWNER'S MANUAL ASSY, MFC9660 FOR FIN (INCLUDING OWNER'S MANUAL(1-1), LICENSE AGREEMENT SHEET)	1		o
(1)	LE7913001	1	OWNER'S MANUAL ASSY, MFC9660 FOR DEN (INCLUDING OWNER'S MANUAL(1-1), PAN EURO WARRANTY LEAFLET, LICENSE AGREEMENT SHEET)	1		o
(1)	LE7917001	1	OWNER'S MANUAL ASSY, MFC9660 FOR SPA (INCLUDING OWNER'S MANUAL(1-1), PAN EURO WARRANTY LEAFLET, LICENSE AGREEMENT SHEET, WARRANTY CARD)	1		o
(1)	LE8228001	1	OWNER'S MANUAL ASSY, FAX8360P FOR SPA (INCLUDING OWNER'S MANUAL(1-1), PAN EURO WARRANTY LEAFLET, WARRANTY CARD)	1		o
(1)	LE7919001	1	OWNER'S MANUAL ASSY, MFC9660 FOR ITA (INCLUDING OWNER'S MANUAL(1-1), PAN EURO WARRANTY LEAFLET, LICENSE AGREEMENT SHEET)	1		o
(1)	LE8225001	1	OWNER'S MANUAL ASSY, FAX8360P FOR ZAF/GNR (INCLUDING OWNER'S MANUAL(1-1))	1		o
(1)	LE7920001	1	OWNER'S MANUAL ASSY, MFC9660 FOR SWE (INCLUDING OWNER'S MANUAL(1-1), PAN EURO WARRANTY LEAFLET, LICENSE AGREEMENT SHEET, WARRANTY CARD)	1		o
(1)	LE8223001	1	OWNER'S MANUAL ASSY, FAX8360P FOR SWE (INCLUDING OWNER'S MANUAL(1-1), PAN EURO WARRANTY LEAFLET, WARRANTY CARD)	1		o
(1)	LE8553001	1	USER'S GUIDE ASSY, MFC9660 FOR ARL (INCLUDING USER'S GUIDE(1-1), LICENSE GUIDE)	1		o

LIST11 (PRINTED MATERIAL)

REF No.	CODE	QTY	DESCRIPTION	RECOMMEND	REMARK	ORDER TO BIUK
(1)	LE8554001	1	USER'S GUIDE ASSY, MFC9660 FOR NZ (INCLUDING USER'S GUIDE(1-1), WARRANTY CARD, LICENSE GUIDE)	1		
(4)	LE8237004	4	OWNER'S MANUAL ASSY, FAX8360P FOR ARL/NZ (INCLUDING OWNER'S MANUAL(1-1), WARRANTY CARD)	4		
(1)	LE8555001	1	USER'S GUIDE ASSY, MFC9660 FOR ASA (INCLUDING USER'S GUIDE(1-1), LICENSE GUIDE, QUICK REFERENCE GUIDE)	1		
(1)	LE8232001	1	OWNER'S MANUAL ASSY, FAX8360P FOR ARL/NZ/ASA (INCLUDING OWNER'S MANUAL(1-1))	1		
(1)	LE8480001	1	USER'S GUIDE ASSY, FAX8370 (INCLUDING USER'S GUIDE(1-1), WARRANTY CARD)	1	add	
(1-1)	LE7325003	1	OWNER'S MANUAL, MFC9660 FOR GER			o
(1-1)	LE8175003	1	OWNER'S MANUAL, FAX8360P FOR GER/AUS			o
(1-1)	LE7331004	1	OWNER'S MANUAL, MFC9660 FOR UK/IRE			o
(1-1)	LE8179004	1	OWNER'S MANUAL, FAX8360P FOR UK/IRE/ZAF/GNR			o
(1-1)	LE7331005	1	OWNER'S MANUAL, MFC9660 FOR FRA			o
(1-1)	LE8179005	1	OWNER'S MANUAL, FAX8360P FOR FRA			o
(1-1)	LE7331007	1	OWNER'S MANUAL, MFC9660 FOR NOR			o
(1-1)	LE8179007	1	OWNER'S MANUAL, FAX8360P FOR NOR			o
(1-1)	LE7331008	1	OWNER'S MANUAL, MFC9660 FOR BEL/NLD <DUTCH>			o
(1-1)	LE8179008	1	OWNER'S MANUAL, FAX8360P FOR BEL/NLD <DUTCH>			o
(1-1)	LE7788008	1	OWNER'S MANUAL, MFC9660 FOR BEL/CHE <FRENCH>			o
(1-1)	LE8213008	1	OWNER'S MANUAL, FAX8360P FOR BEL/CHE <FRENCH>			o
(1-1)	LE7331010	1	OWNER'S MANUAL, MFC9660 FOR CHE <GERMAN>			o
(1-1)	LE8179010	1	OWNER'S MANUAL, FAX8360P FOR CHE <GERMAN>			o
(1-1)	LE7331012	1	OWNER'S MANUAL, MFC9660 FOR FIN			o
(1-1)	LE7331013	1	OWNER'S MANUAL, MFC9660 FOR DEN			o
(1-1)	LE7331015	1	OWNER'S MANUAL, MFC9660 FOR SPA			o
(1-1)	LE8179015	1	OWNER'S MANUAL, FAX8360P FOR SPA			o
(1-1)	LE7331016	1	OWNER'S MANUAL, MFC9660 FOR ITA			o
(1-1)	LE7331026	1	OWNER'S MANUAL, MFC9660 FOR SWE			o
(1-1)	LE8179026	1	OWNER'S MANUAL, FAX8360P FOR SWE			o
(1-1)	LE8519001	1	USER'S GUIDE, MFC9660 FOR ARL/NZ/ASA			
(1-1)	LE8233001	1	OWNER'S MANUAL, FAX8360P FOR ARL/NZ/ASA			
(1-1)	LE8461001	1	USER'S GUIDE, FAX8370		add	
(1-1)	LE8919001	1	PRINTER SET UP GUIDE, FAX8370		ADD	

LIST12 (CARTON)

REF No.	CODE	QTY	DESCRIPTION	RECOMMEND	REMARK	ORDER TO BIUK
(1)	LE7313001	1	CARTON, BROTHER, MFC9660 FOR GER/UK/FRA/NOR/BEL/NLD/CHE/FIN/DEN/SPA/ITA/SWE	1		
(1)	LE8170001	1	CARTON, BROTHER, FAX8360P FOR GER/UK/FRA/NOR/BEL/NLD/CHE/IRE/AUS/SPA/ZAF/SWE/GNR	1		
(1)	LE8114001	1	CARTON, BROTHER, MFC9660 FOR ARL/NZ/ASA	1		
(1)	LE8234001	1	CARTON, BROTHER, FAX8360P FOR ARL/NZ/ASA	1		
(1)	LE8482001	1	CARTON, BROTHER, FAX8370	1		
(2)	LE1292001	1	POLYSTYRENE FORM ASSY EXCEPT FOR FAX8370			
(2)	UE3119001	1	POLYSTYRENE FORM ASSY, FAX8370		add	
(3)	UE1688001	1	PE BAG 1000X1000H			
(4)	UE3122001	1	CARTON FOR MANUAL			
(5)	UU0456001	1	PROTECTION PAPER			
(6)	LJ5557001	1	PROCESS BAG 400X480			
(7)	LE7328001	1	START CARD, MFC9660 FOR GER/AUS			o
(7)	LE8176001	1	START CARD, FAX8360P FOR GER/AUS			o
(7)	LE7332001	1	START CARD, MFC9660 FOR UK/IRE			o
(7)	LE8180001	1	START CARD, FAX8360P FOR UK/IRE/ZAF			o
(7)	LE7335001	1	START CARD, MFC9660 FOR FRA			o
(7)	LE8183001	1	START CARD, FAX8360P FOR FRA			o
(7)	LE7778001	1	START CARD, MFC9660 FOR NOR			o
(7)	LE8211001	1	START CARD, FAX8360P FOR NOR			o
(7)	LE7779001	1	START CARD, MFC9660 FOR BEL/NLD <DUTCH>			o
(7)	LE8214001	1	START CARD, FAX8360P FOR BEL/NLD <DUTCH>			o
(7)	LE7782001	1	START CARD, MFC9660 FOR BEL/CHE <FRENCH>			o
(7)	LE8215001	1	START CARD, FAX8360P FOR BEL/CHE <FRENCH>			o
(7)	LE7781001	1	START CARD, MFC9660 FOR CHE <GERMAN>			o
(7)	LE8218001	1	START CARD, FAX8360P FOR CHE <GERMAN>			o
(7)	LE7783001	1	START CARD, MFC9660 FOR FIN			o
(7)	LE7784001	1	START CARD, MFC9660 FOR DEN			o
(7)	LE7785001	1	START CARD, MFC9660 FOR SPA			o
(7)	LE8220001	1	START CARD, FAX8360P FOR SPA			o
(7)	LE7786001	1	START CARD, MFC9660 FOR ITA			o
(7)	LE7787001	1	START CARD, MFC9660 FOR SWE			o
(7)	LE8224001	1	START CARD, FAX8360P FOR SWE			o
(7)	LE7854001	1	START CARD, MFC9660 FOR ARL/NZ/ASA			
(7)	LE8235001	1	START CARD, FAX8360P FOR ARL/NZ/ASA			
(7)	LE8226001	1	START CARD, FAX8360P FOR GNR			o
(7)	LE8921001	1	START CARD, FAX8370		CHG	
(8)	LE8254001	1	QUICK SET UP GUIDE XP, MFC9660 FOR GER/CHE/AUS <GERMAN>		chg	
(8)	LE8252001	1	QUICK SET UP GUIDE XP, MFC9660 FOR UK/IRE		chg	
(8)	LE8253001	1	QUICK SET UP GUIDE XP, MFC9660 FOR FRA/BEL/CHE <FRENCH>		chg	
(8)	LE8258001	1	QUICK SET UP GUIDE XP, MFC9660 FOR NOR		chg	
(8)	LE8255001	1	QUICK SET UP GUIDE XP, MFC9660 FOR BEL/NLD <DUTCH>		chg	
(8)	LE8261001	1	QUICK SET UP GUIDE XP, MFC9660 FOR FIN		chg	
(8)	LE8260001	1	QUICK SET UP GUIDE XP, MFC9660 FOR DEN		chg	
(8)	LE8257001	1	QUICK SET UP GUIDE XP, MFC9660 FOR SPA		chg	
(8)	LE8256001	1	QUICK SET UP GUIDE XP, MFC9660 FOR ITA		chg	
(8)	LE8259001	1	QUICK SET UP GUIDE XP, MFC9660 FOR SWE		chg	
(9)	LE8923001	1	USB BLIND SEAL, FAX8370		ADD	