



FACSIMILE EQUIPMENT

PARTS REFERENCE LIST

MODEL: FAX-T78

**(For Germany / United Kingdom / France /
Belgium / Netherlands / Switzerland /
Austria / Spain / Italy / European Generic)**

NOTES FOR USING THIS PARTS REFERENCE LIST

1. In the case of ordering parts, it needs mentioning the following items:

- (1) Code
- (2) Q' ty
- (3) Description

Note: No orders without Parts Code or Tool No. can be accepted.

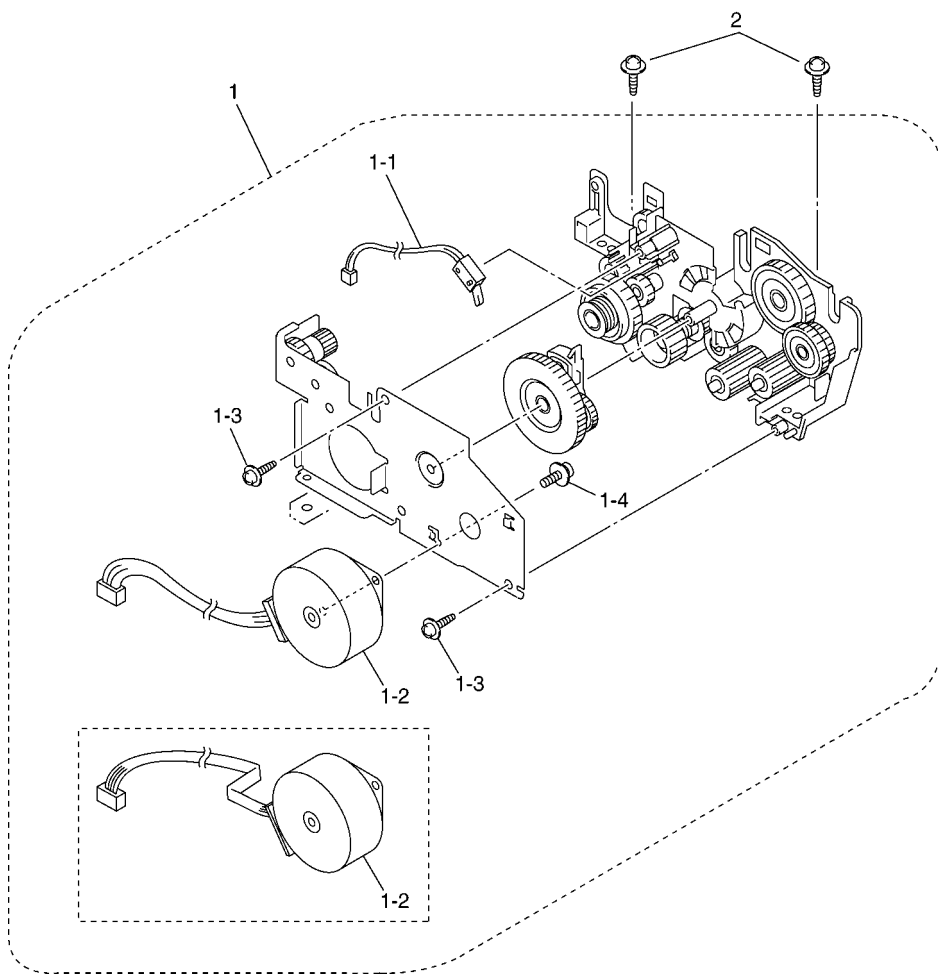
[Example]

REF.NO.	CODE	Q' TY	DESCRIPTION	RECOMMEND	REMARKS

2. Parts change will be informed by the technical information.

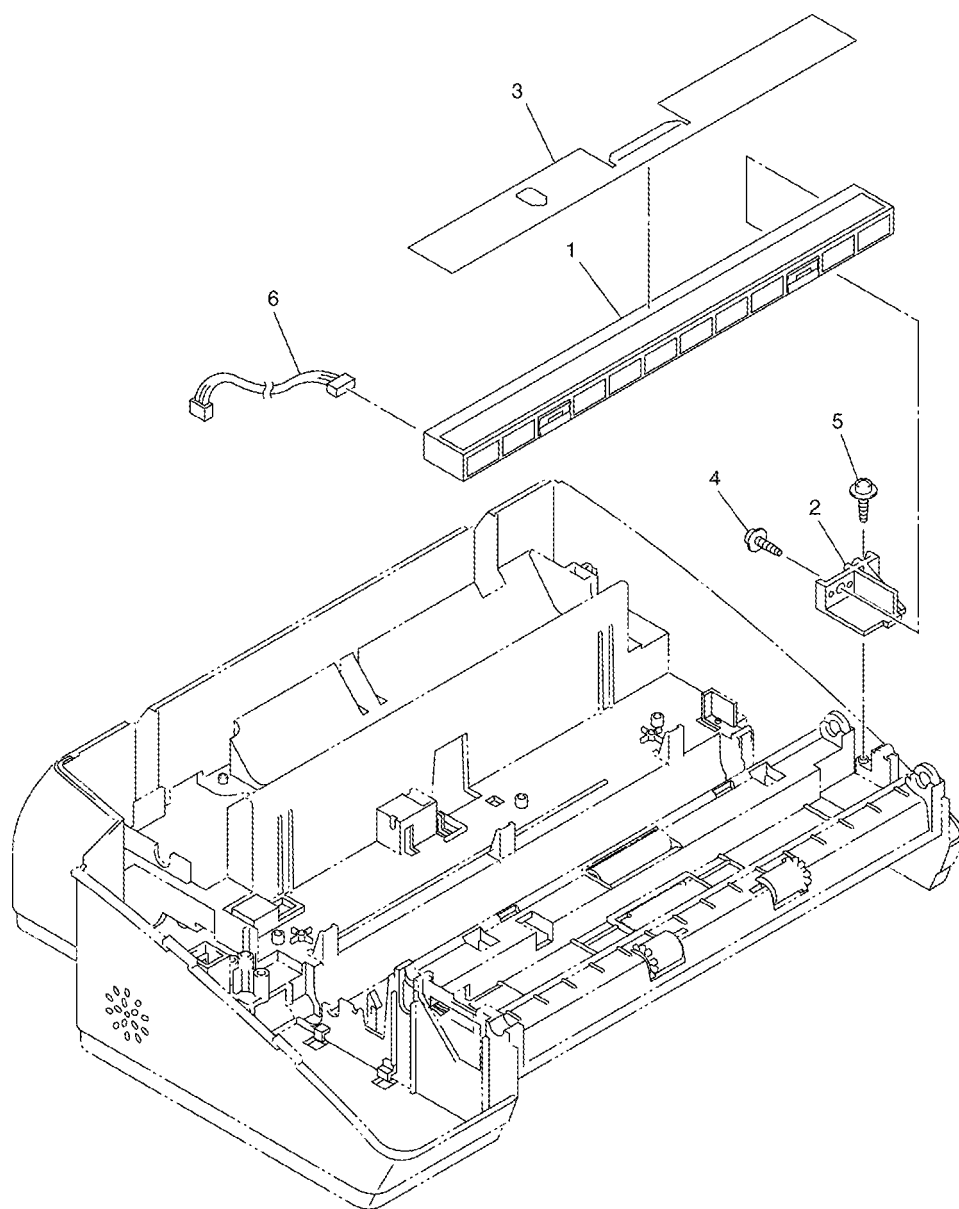
COUNTRIES

GERMANY ---- GER
UNITED KINGDOM ---- UK
FRANCE ---- FRA
BELGIUM ---- BEL
SWITZERLAND ---- CHE
AUSTRIA ---- AUS
SPAIN ---- SPA
ITALY ---- ITA
EUROPEAN GENERIC ---- GNR



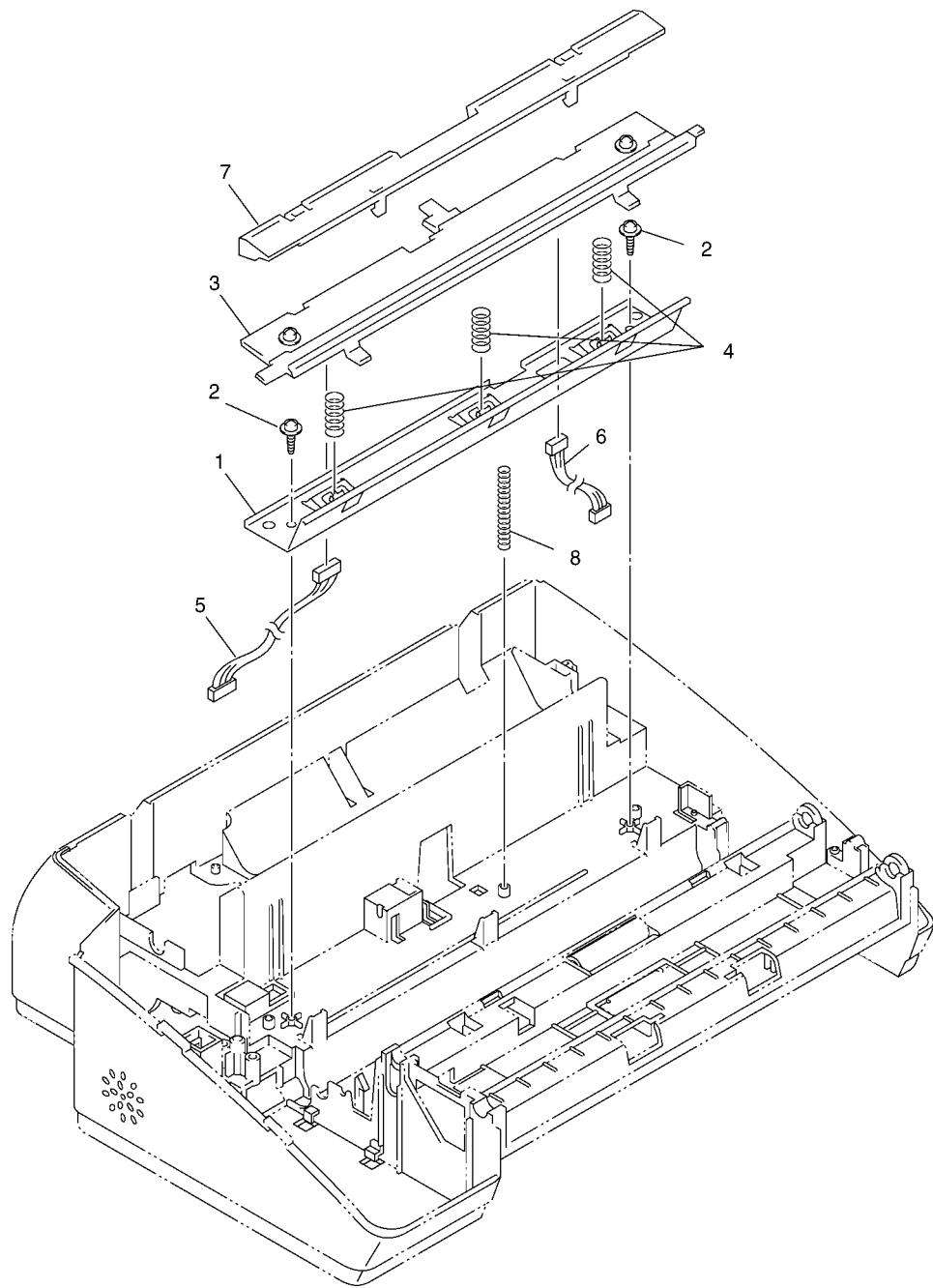
LIST1 (DRIVING)

REF No.	CODE	Q'TY	DESCRIPTION	REMARKS	ORDER TO BIUK
1	LE5262001	1	DRIVE GEAR FRAME ASSY		
1-1	LG2581001	1	ARM HP SWITCH ASSY		
1-2	LE4028001	1	MOTOR WITH HARNESS		
1-3	087310815	2	TAPTITE, CUP B M3X8		o
1-4	U09759001	1	SCREW, PAN (S/P WASHER) M3X6		o
2	087311016	2	TAPTITE, CUP B M3X10		



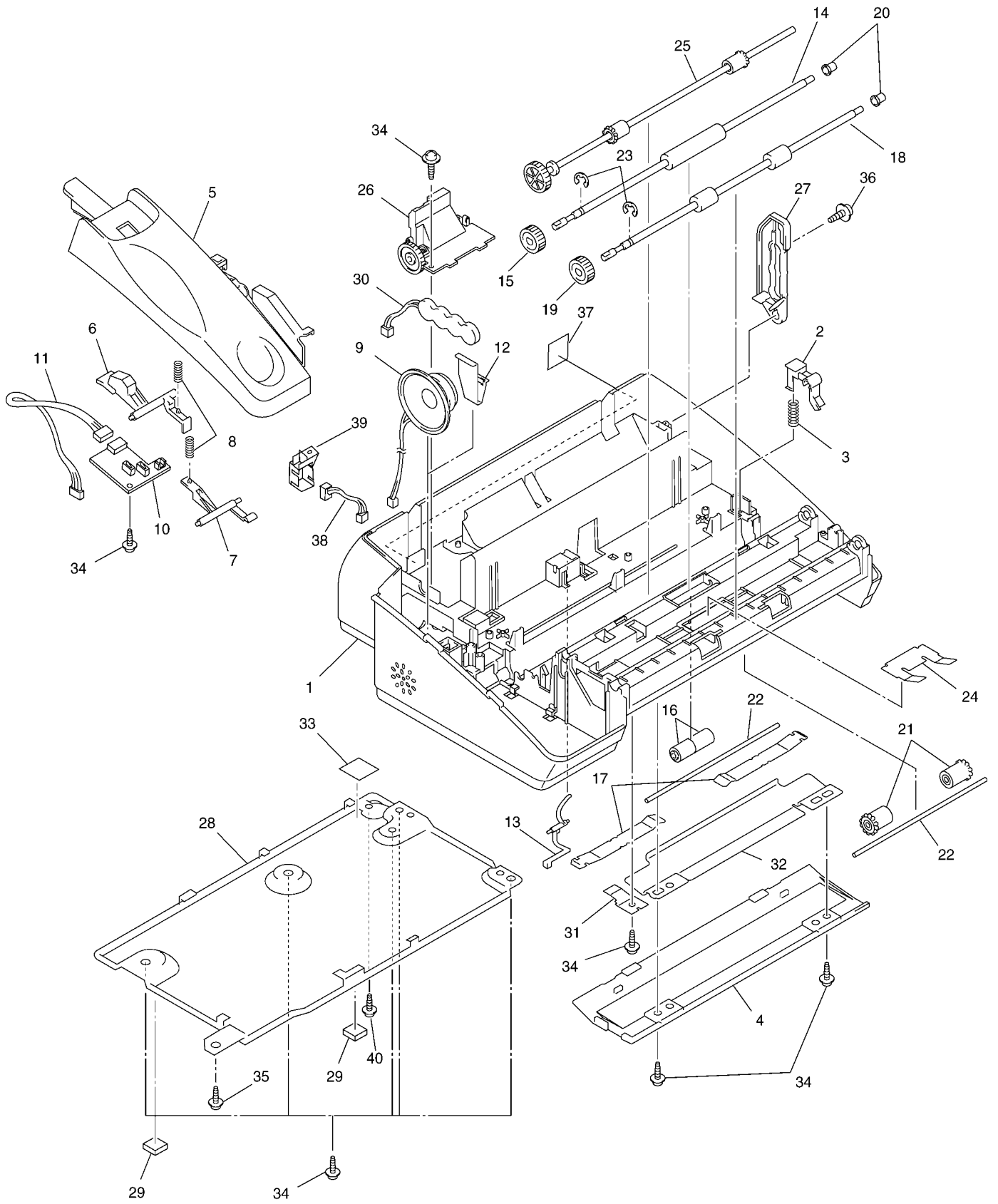
LIST2 (SCANNING)

REF No.	CODE	QTY	DESCRIPTION	REMARKS	ORDER TO BIUK
1	LG3076001	1	CIS UNIT		
2	LE4029001	1	CIS HOLDER		
3	LE4030001	1	CIS FILM (BLACK)		
4	085310815	1	TAPTITE, BIND B M3X8		
5	087310815	1	TAPTITE, CUP B M3X8		o
6	LG2557001	1	CIS-MAIN HARNESS		
(7)	UG3005000	1	FERRITE CORE:16X8X10		



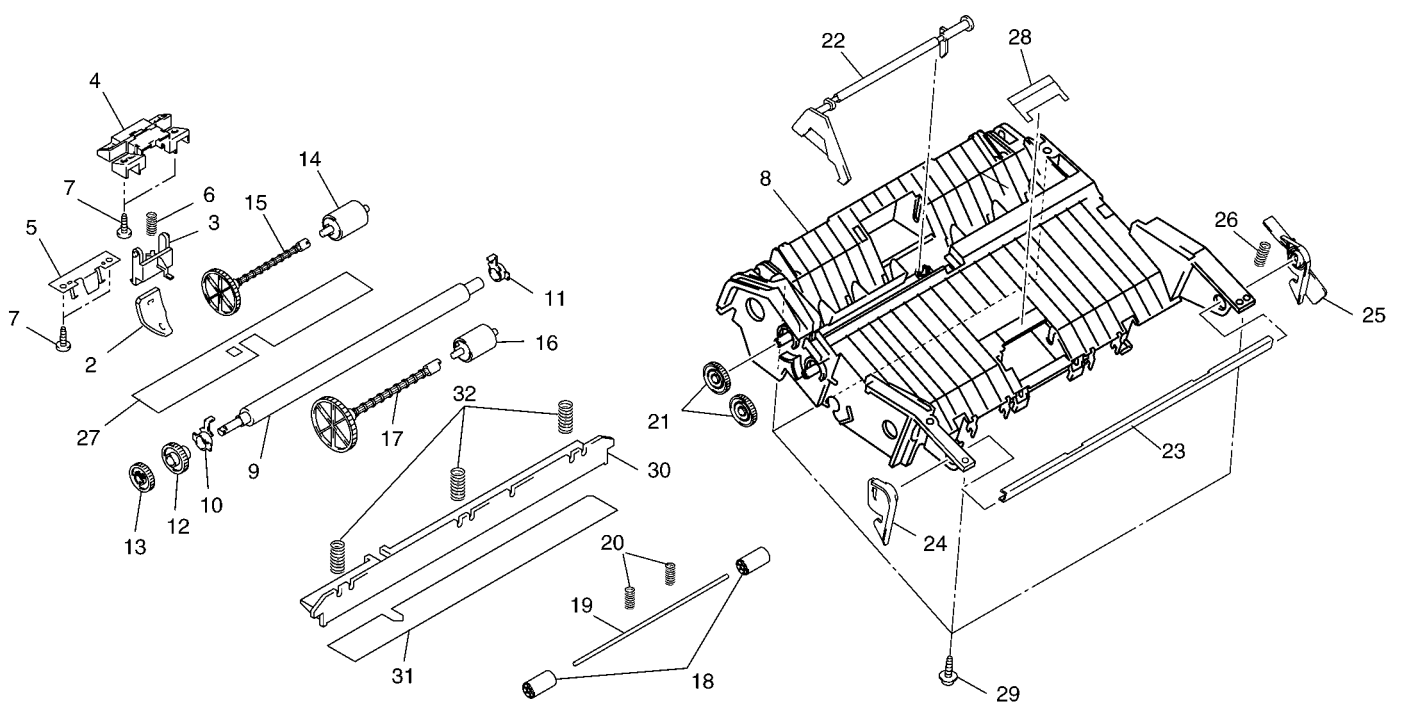
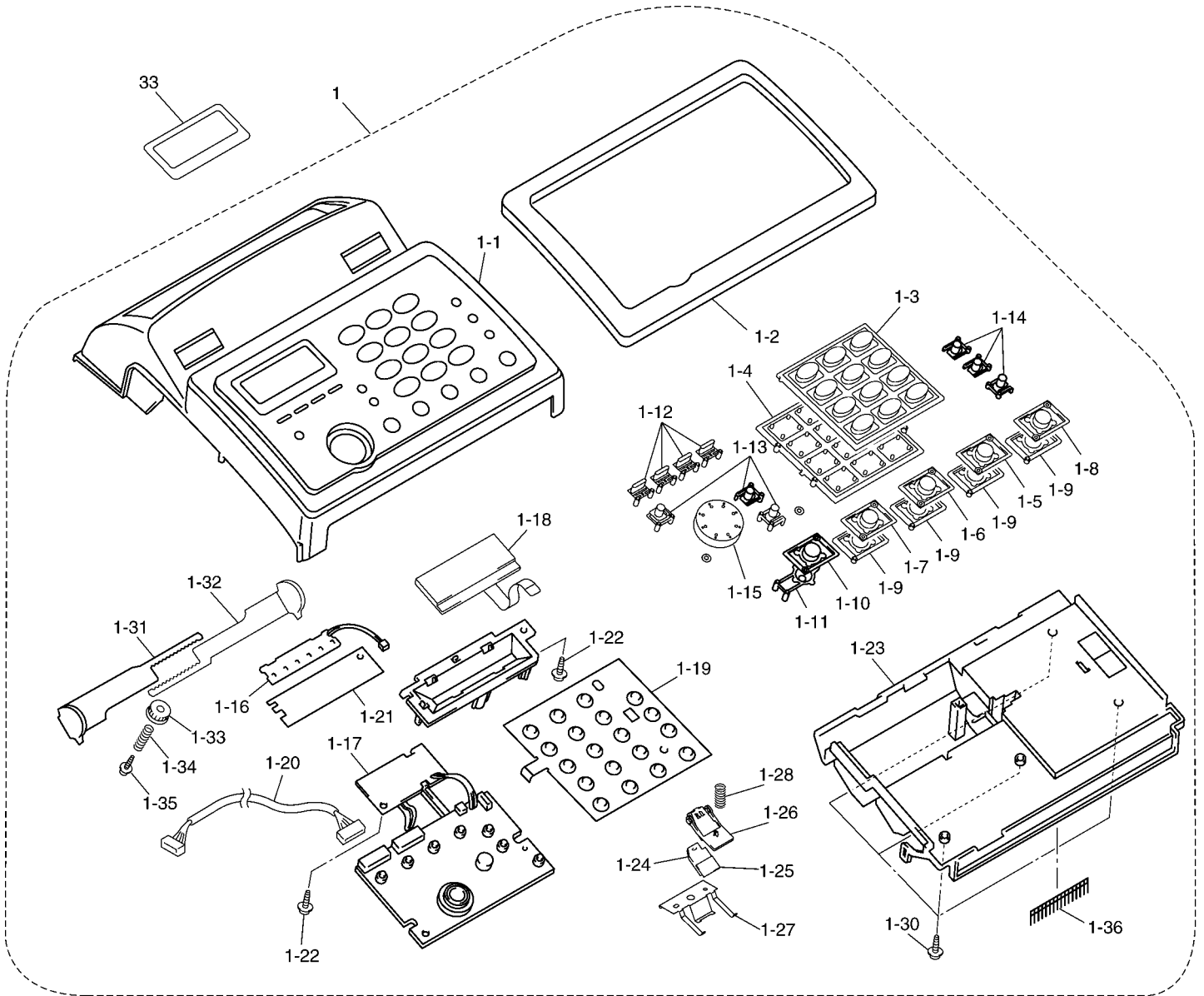
LIST3 (RECORDING)

REF No.	CODE	Q'TY	DESCRIPTION	REMARKS	ORDER TO BIUK
1	LE4031001	1	RECORDER FRAME		
2	087310815	2	TAPTITE, CUP B M3X8		o
3	UF9852001	1	RECORDING HEAD ASSY		
4	UF8072001	3	HEAD SPRING		o
5	LG2558001	1	MAIN-HEAD HARNESS		
6	LG2559001	1	HEAD-POWER HARNESS		
7	UF9856001	1	HEAD PROTECTOR		
8	LE4034001	1	GROUNDING SPRING		



LIST4 (COVER)

REF No.	CODE	Q'TY	DESCRIPTION	REMARKS	ORDER TO BIUK
1	LE5405003	1	MAIN FRAME GREY(1267)		o
2	LE4036001	1	RIBBON SHAFT STOPPER		
3	LE4037001	1	RIBBON STOPPER SPRING		
4	LE4038003	1	LOWER COVER		
5	LE4039004	1	HANDSET MOUNT		
6	LE4040001	1	HOOK SWITCH ACTUATOR		
7	LE4041001	1	COVER SENCER ACTUATOR(BLACK)		
8	LE4042001	2	ACTUATOR SPRING		
9	LG2630001	1	SPEAKER		
10	LG2576001	1	SENSOR PCB ASSY		
11	LG2560001	1	SENSOR-MAIN HARNESS		
12	UF9847001	1	SPEAKER SUPPORT SPRING		
13	LE4043001	1	RIBBON SENCER ACTUATOR		
14	LE4044001	1	DOCUMENT LF ROLLER		
15	LE4047001	1	GEAR, 23		
16	LE4501001	2	DOCUMENT PINCH ROLLER		
17	LE4048001	2	PINCH ROLLER SPRING		
18	LE4049001	1	DOCUMENT EJECTION ROLLER ASSY		
19	LE4047001	1	GEAR, 23		
20	UF9949001	2	ROLLER BUSHINGS		
21	UL6244002	2	DOCUMENT PRESSURE ROLLER		
22	UF6267000	2	PRESSURE ROLLER SHAFT		
23	048050346	2	RETAINING RING		
24	LE4051001	1	DOCUMENT PRESSURE ROLLER SPRING		
25	LE4052001	1	PAPER EJECTION ROLLER		
26	LE4054001	1	ROM COVER		
27	LE4061001	1	COVER STOPPER LINK		
28	LE4062001	1	BOTTOM PLATE		
29	UF6761001	2	RUBBER FOOT		o
30	LG2861001	1	BATTERY ASSY		
31	LE4204001	1	CIS SPRING		
32	LE4205001	1	SUPPORT PLATE		
33	LE4214001	1	INSULATION FILM		
34	087310815	10	TAPTITE, CUP B M3X8		o
35	U24014002	1	TAPTITE, CUP S M3.0X6		
36	LE4199001	1	TAPTITE, PAN B M4X6D10		
37	----		NOT USED		
38	----		NOT USED		
39	----		NOT USED		
40	----		NOT USED		
(41)	UF5745000	1	MJ COVER FOR GER/UK/FRA/BEL/AUS/ITA		

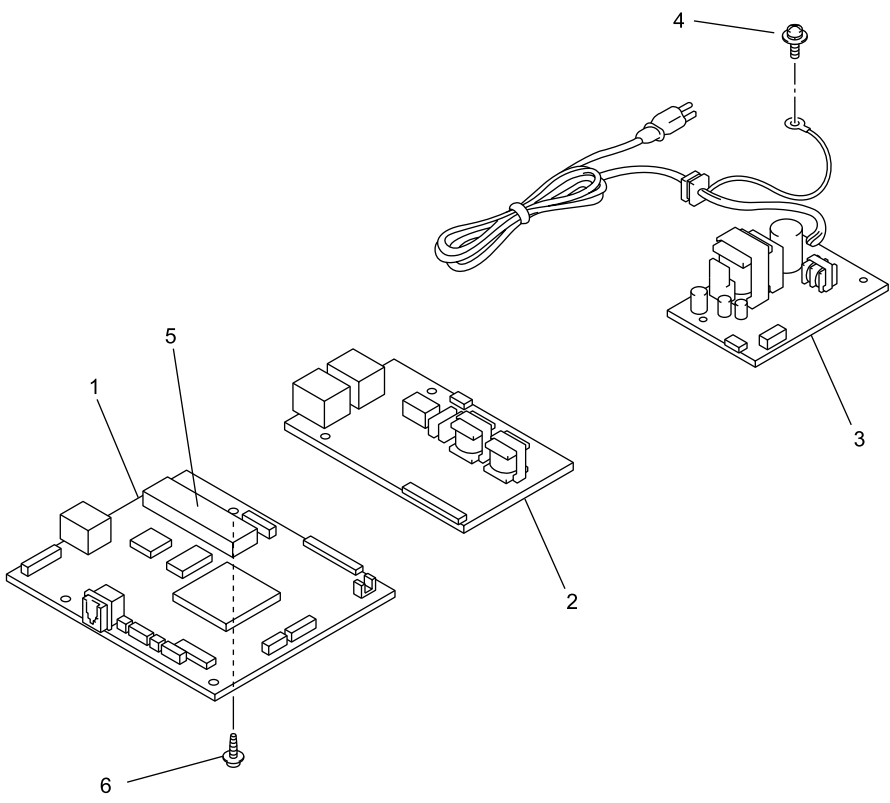


LIST5 (CONTROL PANEL)

REF No.	CODE	Q'TY	DESCRIPTION	REMARKS	ORDER TO BIUK
1	LE5271001	1	CONTROL PANEL ASSY FOR GER/AUS [GERMAN]		o
1	LE4920001	1	CONTROL PANEL ASSY FOR UK/BEL/CHE/GNR [ENGLISH]		o
1	LE5278001	1	CONTROL PANEL ASSY FOR FRA [FRENCH]		o
1	LE5570001	1	CONTROL PANEL ASSY FOR NLD [DUTCH]		o
1	LE4924001	1	CONTROL PANEL ASSY FOR SPA [SPANISH]		o
1	LE4926001	1	CONTROL PANEL ASSY FOR ITA [ITALIAN]		o
1-1	LE4879008	1	CONTROL PANEL FOR UK/BEL/CHE/GNR [ENGLISH]		o
1-1	LE4879009	1	CONTROL PANEL FOR NLD [DUTCH]		o
1-1	LE4879015	1	CONTROL PANEL FOR SPA [SPANISH]		o
1-1	LE4879016	1	CONTROL PANEL FOR ITA [ITALIAN]		o
1-1	LE4879003	1	CONTROL PANEL FOR GER/AUS [GERMAN]		o
1-1	LE4879005	1	CONTROL PANEL FOR FRA [FRENCH]		o
1-2	LE4563003	1	CONTROL PANEL FRAME, SMOKED GREY(1561)		
1-3	LE4927001	1	KEY, TEN, METALIC SILVER(1562)		o
1-4	UF9971001	1	BASE, TEN KEY		
1-5	LE4575001	1	KEY, START		
1-6	LE4576001	1	KEY, COPY		
1-7	LE4577001	1	KEY, STOP		
1-8	LE4578001	1	KEY, SPEAKER PHONE		
1-9	LE4565001	4	BASE, CLEAR KEY		
1-10	LE4579001	1	KEY, TAD		
1-11	LE4566001	1	BASE, TAD KEY		
1-12	LE4548001	4	KEY, MODE, WHITE(1522)		
1-13	LE4549001	3	KEY, MENU, WHITE(1522)		
1-14	LE4576012	3	KEY, HOLD, WHITE(1522)		
1-15	LE4580002	1	DIAL, JOG, METALIC SILVER(1562)		
1-16	LG2505001	1	BACKLIGHT PCB ASSY		
1-17	LG2889001	1	PANEL PCB ASSY		
1-18	LG3051001	1	LCD		o
1-19	LG2891001	1	FPC KEY		
1-20	LG3483001	1	PANEL-MAIN HARNESS		
1-21	LE4553001	1	DIFFUSION FILM		
1-22	087310815	2	TAPTITE, CUP B M3X8		o
1-23	LE5784001	1	PANEL REAR COVER		
1-24	LE4082001	1	ADF SEPARATION RUBBER		
1-25	LE4190001	1	SEPARATION RUBBER FILM		
1-26	LE4083001	1	ADF HOLDER		
1-27	LE4084001	1	ADF SPRING PLATE		
1-28	LE4085001	1	ADF SPRING		
1-29	UF6116001	1	TAPTITE, PAN B M3X6		o
1-30	087310815	4	TAPTITE, CUP B M3X8		o
1-31	LE4556001	1	DOCUMENT GUIDE B-L, WHITE(1517)		
1-32	LE4557001	1	DOCUMENT GUIDE B-R, WHITE(1517)		
1-33	UF4417000	1	GUIDE GEAR		

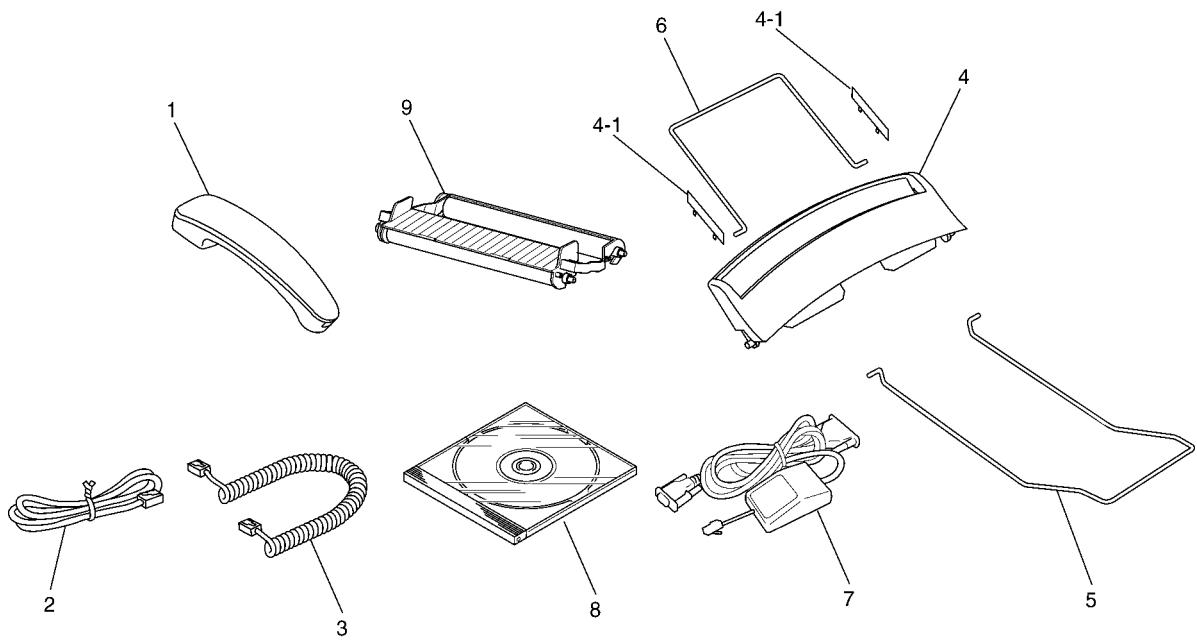
LIST5 (CONTROL PANEL)

REF No.	CODE	Q'TY	DESCRIPTION	REMARKS	ORDER TO BIUK
1-34	UF4418001	1	SPRING, COMPRESSION		
1-35	UF6116001	1	TAPTITE, PAN B M3X6		
1-36	UU0243001	1	ANTI-STATIC BRUSH		
2	LE4092001	1	ACF SEPARATION RUBBER		
3	LE4093001	1	ACF PLATE		
4	LE4094001	1	ACF HOLDER		
5	LE4187001	1	ACF LEAF SPRING		
6	LE4096001	1	ACF SPRING		
7	085310815	4	TAPTITE, BIND B M3X8		
8	LE4098001	1	CHUTE COVER, WHITE		
9	LE4102001	1	PLATEN		o
10	LE4104001	1	PLATEN SHAFT BUSHING L, BLACK		o
11	LE4105001	1	PLATEN SHAFT BUSHING R, WHITE		
12	LE4111001	1	GEAR, 24		
13	LE4047001	1	GEAR, 23		
14	LE4106001	1	PAPER FEED ROLLER 32		
15	LE4108001	1	PAPER FEED ROLLER GEAR 37		
16	UF6613001	1	SEPARATION ROLLER		
17	LE4109001	1	SEPARATION ROLLER GEAR 46		
18	LE4147001	2	PAPER PRESSURE ROLLER		
19	LE4110001	1	PRESSURE ROLLER SHAFT		
20	UF9781001	2	PRESSURE ROLLER SPRING		o
21	LE4012001	2	GEAR, 32		
22	LE4099001	1	REGISTRATION SENSOR ACTUATOR		
23	LE4113001	1	LOCK BAR		
24	LE4114001	1	LOCK LEVER L, WHITE		
25	LE4115001	1	LOCK LEVER R, GRAY(1473)		
26	LE4373001	1	LOCK SPRING		
27	LE4117001	1	CHUTE FILM		
28	LE4203001	1	ADF FILM		
29	087310815	4	TAPTITE, CUP B M3X8		
30	LE4087001	1	DOCUMENT PRESSURE BAR		
31	LE4088001	1	WHITE FILM		
32	UF9781001	3	SPRING		
33	LE4856001	1	LCD SHEET FOR GER/AUS		o
33	LE4870001	1	LCD SHEET FOR UK/BEL/CHE/GNR		o
33	LE4875001	1	LCD SHEET FOR FRA		o
33	LE5571001	1	LCD SHEET FOR NLD		o
33	LE4901001	1	LCD SHEET FOR SPA		o
33	LE4902001	1	LCD SHEET FOR ITA		o



LIST6 (PCB)

REF No.	CODE	QTY	DESCRIPTION	REMARKS	ORDER TO BIUK
1	LG3052041	1	MAIN PCB ASSY		0
2	LG2878003	1	NCU PCB ASSY FOR GER/AUS		0
2	LG2726004	1	NCU PCB ASSY FOR UK		0
2	LG2726026	1	NCU PCB ASSY FOR NLD		0
2	LG3238005	1	NCU PCB ASSY FOR FRA		0
2	LG3238008	1	NCU PCB ASSY FOR BEL/SPA/ITA/GNR		0
2	LG3238010	1	NCU PCB ASSY FOR CHE		0
			POWER SUPPLY PCB ASSY (W/ AC CORD)		
3	LG3495003	1	FOR GER/FRA/BEL/NLD/AUS/SPA/ITA/GNR		0
3	LG3495004	1	POWER SUPPLY PCB ASSY (W/ AC CORD) FOR UK		0
3	LG2863010	1	POWER SUPPLY PCB ASSY (W/ AC CORD) FOR CHE		0
4	UF4444001	1	SCREW, PAN(P WASHER) M4X6		0
5	LG0277003	1	OTPROM FOR GER/AUS		0
5	LG0277004	1	OTPROM FOR UK		0
5	LG0277005	1	OTPROM FOR FRA		0
5	LG0275008	1	OTPROM FOR BEL/CHE		0
5	LG0277009	1	OTPROM FOR NLD		0
5	LG0277015	1	OTPROM FOR SPA		0
5	LG0277016	1	OTPROM FOR ITA		0
5	LG0277054	1	OTPROM FOR GNR		0
6	087310815	1	TAPTITE, CUP B M3X8		0



LIST7 (ACCESSORIES)

REF No.	CODE	Q'TY	DESCRIPTION	REMARKS	ORDER TO BIUK
1	LE5499009	1	HANDSET ASSY, WHITE(1517)		
2	UG3625001	1	TELEPHONE LINE CORD FOR GER		o
2	UG3626001	1	TELEPHONE LINE CORD FOR UK		o
2	UG3627001	1	TELEPHONE LINE CORD FOR FRA		o
2	UG1575001	1	TELEPHONE LINE CORD FOR BEL		o
2	UG3469000	1	TELEPHONE LINE CORD FOR CHE		o
2	UG4205001	1	TELEPHONE LINE CORD FOR AUS		
2	LG3077001	1	TELEPHONE LINE CORD FOR NLD/SPA/GNR		
2	UG3634001	1	TELEPHONE LINE CORD FOR ITA		o
3	UG3543009	1	CURLED CORD ASSY		
4	LE4375004	1	PAPER TRAY ASSY, SMOKED GREY(1561)		o
4-1	LE4234004	2	PAPER GUIDE, SMOKED GRAY(1561)		o
5	----		NOT USED		
6	UF9869001	1	PAPER WIRE EXTENSION		
7	----		NOT USED		
8	----		NOT USED		
9	LE4537001	1	PRINTING CARTRIDGE (10M)		o
(9-1)	LE4464001	1	PRINTING CARTRIDGE FRAME		o
(9-2)	LE4143001	1	REFILL ROLL (10M)		
(10)	LG3622001	1	TELEPHONE PLUG FOR NLD		

LIST8 (PRINTED MATERIAL)

REF No.	CODE	QTY	DESCRIPTION	REMARKS	ORDER TO BIUK
1	LE5272003	1	OWNER'S MANUAL ASSY FOR GER/AUS (INCLUDING OWNER'S MANUAL(REF. No.(1-1), WARRANTY CARD, START CARD)		o
1	LE5274004	1	OWNER'S MANUAL ASSY FOR UK (INCLUDING OWNER'S MANUAL(REF. No.(1-1), WARRANTY CARDS, START CARD)		o
1	LE5279005	1	OWNER'S MANUAL ASSY FOR FRA (INCLUDING OWNER'S MANUAL(REF. No.(1-1), WARRANTY CARDS, START CARD)		o
1	LE4899008	1	OWNER'S MANUAL ASSY FOR BEL (INCLUDING OWNER'S MANUAL(REF. No.(1-1), WARRANTY CARD, START CARD)		o
1	LE5572009	1	OWNER'S MANUAL ASSY FOR NLD (INCLUDING OWNER'S MANUAL(REF. No.(1-1), WARRANTY CARD, START CARD)		o
1	LE5280010	1	OWNER'S MANUAL ASSY FOR CHE (INCLUDING OWNER'S MANUAL(REF. No.(1-1), WARRANTY CARD, START CARD)		o
1	LE5933014	1	OWNER'S MANUAL ASSY FOR AUS (INCLUDING OWNER'S MANUAL(REF. No.(1-1), WARRANTY CARD, START CARD)		o
1	LE4904015	1	OWNER'S MANUAL ASSY FOR SPA (INCLUDING OWNER'S MANUAL(REF. No.(1-1), WARRANTY CARDS, START CARD)		o
1	LE4903016	1	OWNER'S MANUAL ASSY FOR ITA (INCLUDING OWNER'S MANUAL(REF. No.(1-1), WARRANTY CARD, START CARD)		o
1	LE4897054	1	OWNER'S MANUAL ASSY FOR GNR (INCLUDING OWNER'S MANUAL(REF. No.(1-1)), START CARD)		o
(1-1)	LE5273003	1	OWNER'S MANUAL FOR GER/AUS		o
(1-1)	LE4872004	1	OWNER'S MANUAL FOR UK/GNR		o
(1-1)	LE4872005	1	OWNER'S MANUAL FOR FRA		o
(1-1)	LE4878008	1	OWNER'S MANUAL FOR BEL (DUTCH)		o
(1-1)	LE4872008	1	OWNER'S MANUAL FOR BEL/CHE (FRENCH)		o
(1-1)	LE4872010	1	OWNER'S MANUAL FOR CHE (GERMAN)		o
(1-1)	LE4872009	1	OWNER'S MANUAL FOR NLD		o
(1-1)	LE4872015	1	OWNER'S MANUAL FOR SPA		o
(1-1)	LE4872016	1	OWNER'S MANUAL FOR ITA		o
(2)	UF8263001	1	TEST CHART-027		

LIST9 (PACKING)

REF No.	CODE	Q'TY	DESCRIPTION	REMARKS	ORDER TO BIUK
(1)	LE4900001	1	CARTON, BROTHER, FAX-T78		o
(2)	LE4864001	1	STYROFOAM ASSY		o
(3)	UE1172001	1	BAG, 570X650H		
(3-1)	163528001	1	SUFFOCATION CAUTION LABEL FOR UK		
(4)	----		NOT USED		
(5)	LE4219001	2	PANEL CUSHION PROTECTION SHEET		
(6)	LE4544001	1	FOR GER/FRA/BEL/NLD/CHE/AUS/SPA/ITA/GNR		o
(6)	LE4632001	1	PROTECTION SHEET FOR UK		o