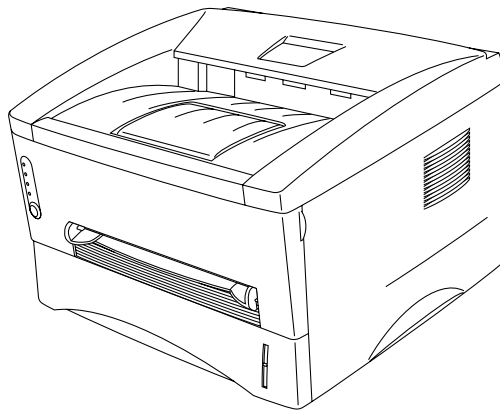




Brother Laser Printer **PARTS REFERENCE LIST**

MODEL: HL-1030/1240/1250/1270N



Read this list thoroughly before maintenance work.

Keep this list in a convenient place for quick and easy reference at all times.

NOTE FOR USING THIS PARTS REFERENCE LIST

1. In the case of ordering parts, it needs mentioning the following items:

- (1) Code
- (2) Q'ty
- (3) Description
- (4) Symbol (PCB No., Revision , and Parts location mounted on the PCB.)

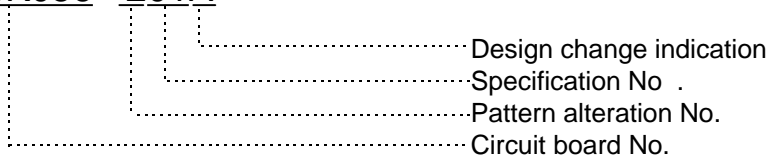
Note : No orders without Parts Code or Tool No. can be accepted.

< Example >

| REF.NO. | CODE | Q'TY | DESCRIPTION | SYMBOL | REMARK |
|---------|------|------|-------------|--------|--------|
| | | | | | |

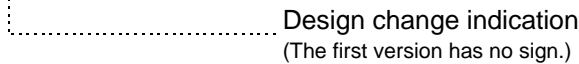
Revision No.: marked on the **main printed circuit board**.

B48K056 - 201A



Revision No.: marked on the **power supply printed circuit board**.

Rev. A



2. Design-changed parts :

If the parts are changed, any one of the following symbols is indicated in the REMARKS column.

- #A : compatible between old and new
- #B : replaceable from old to new
- #D : incompatible
- # : newly established

3. The original of this list was made based on the information available in September, 1999.

4. Parts are subject to change in design without prior notice.

CONTENTS

| | | |
|-----|-------------------------------------|----|
| 1. | FRAME / DRIVE UNIT | 1 |
| 2. | LASER UNIT | 1 |
| 3. | PAPER FEEDER | 3 |
| 4. | FIXING UNIT | 3 |
| 5. | PAPER CASSETTE | 5 |
| 6. | COVERS | 7 |
| 7. | MAIN PCB | 9 |
| 8. | ENGINE PCB | 11 |
| 9. | LOW-VOLTAGE POWER SUPPLY PCB | 11 |
| 10. | HIGH-VOLTAGE POWER SUPPLY PCB | 13 |
| 11. | AC CORD | 13 |
| 12. | ACCESSORIES | 15 |
| 13. | PACKING MATERIALS | 17 |
| 14. | NETWORK BOARD | 17 |
| 15. | ADJUSTING TOOL | 19 |

1. FRAME / DRIVE UNIT

| REF.NO. | CODE | Q'TY | DESCRIPTION | SYMBOL | REMARK |
|---------|-----------|------|--|---------|--------|
| 1 | UL9311001 | 1 | MAIN MOTOR ASSY | | |
| 2 | 087320616 | 4 | TAPTITE, CUP S M3X6 | | |
| 3 | LJ4069001 | 1 | SOLENOID ASSY | | |
| 4 | 000300415 | 1 | SCREW, BIND M3X4 | | |
| 5 | LJ4432001 | 1 | TAPE 32X12 | | |
| 6 | UL8984001 | 1 | LINK | | |
| 7 | LJ4015001 | 1 | FAN MOTOR UNIT | | |
| 8 | UL9099001 | 1 | TONER EMPTY PCB UNIT (LIGHT EMISSION) | B512038 | |
| 9 | UK4405001 | 1 | PANEL PCB ASSY | B512048 | |
| 10 | 087320616 | 3 | TAPTITE, CUP S M3X6 | | |
| 11 | UL8507001 | 4 | RUBBER FOOT | | |
| 12 | UL9104001 | 1 | TONER EMPTY PCB UNIT (LIGHT RECEPTION) | B512037 | |
| 13 | 087320616 | 1 | TAPTITE, CUP S M3X6 | | |
| 14 | LJ8031001 | 1 | LT RELAY PCB ASSY, HL-1250/1270N | B512060 | |
| 15 | 087320616 | 1 | TAPTITE, CUP S M3X6 | | |
| 16 | LE1169001 | 1 | USB GROUND PLATE, HL-1270 | | |
| 17 | UL8970001 | 1 | SOLENOID RELEASE SPRING 30/99 | | |

MODEL HL-1030/1240/1250/1270/1270N 84U-Z05/Z04/Z01/Z02/03-010

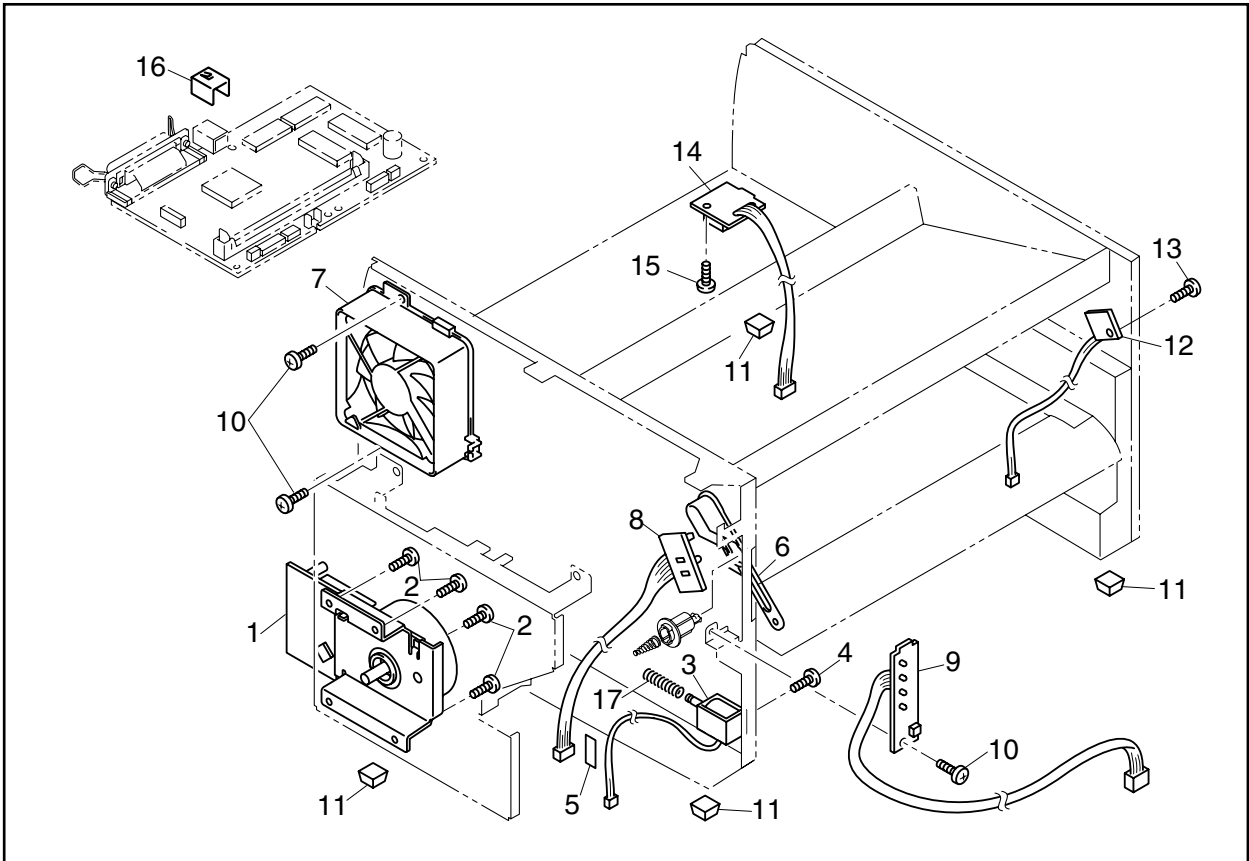
T/I NO. PR99165 / PR2000014

2. LASER UNIT

| REF.NO. | CODE | QTY | DESCRIPTION | SYMBOL | REMARK |
|---------|-----------|-----|----------------------|-----------|--------|
| 1 | LJ4157001 | 1 | LASER UNIT (SP) | (B512033) | |
| 2 | 087321615 | 3 | TAPTITE, CUP S M3X16 | | |

MODEL HL-1030/1240/1250/1270/1270N 84U-Z05/Z04/Z01/Z02/03-020

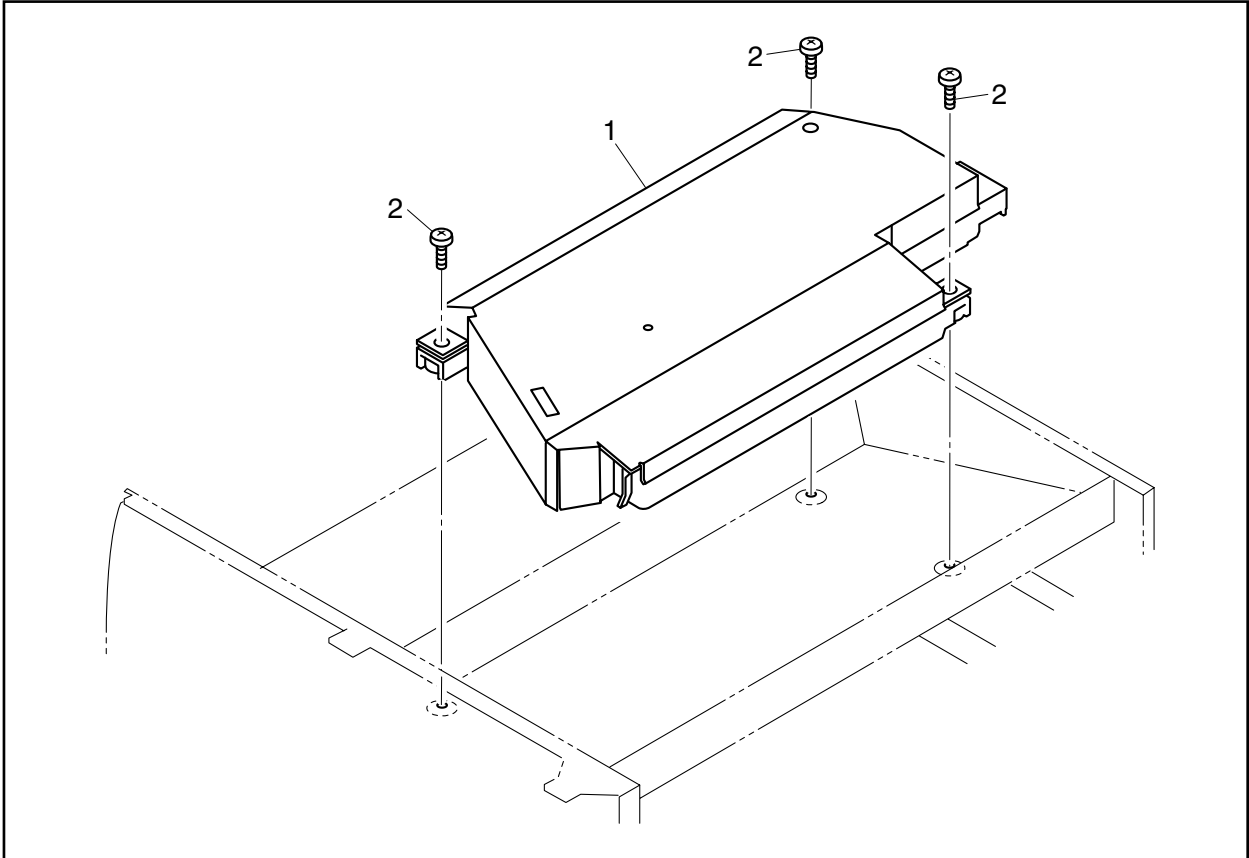
1. FRAME / DRIVE UNIT



MODEL HL-1030/1240/1250/1270N 84U-Z04/Z01/Z02/Z03-010

T/I NO. PR99165 / PR2000014

2. LASER UNIT



MODEL HL-1030/1240/1250/1270N 84U-Z04/Z01/Z02/Z03-020

3. PAPER FEEDER

| REF.NO. | CODE | Q'TY | DESCRIPTION | REMARK |
|---------|-----------|------|-------------------------------|--------|
| 1 | UL9060001 | 1 | PAPER FEED ROLLER ASSY | |
| 2 | UL9066001 | 1 | PAPER PICK-UP ROLLER ASSY | |
| 3 | UL9071001 | 1 | TR ELECTRODE HELICAL SPRING A | |
| 3 | LJ4499001 | 1 | TR ELECTRODE HELICAL SPRING B | |

CAUTION:

1) The new version of the TR electrode helical spring, **TR ELECTRODE HELICAL SPRING B (LJ4499001)** should be used for ALL HL-1030/1270N printers and the HL-1240/1250 printers whose serial No. is the following number or later;

HL-1240: **J9J211817** - (EXCEPT J9J212235 - J9J217459, J9J219423 - J9J219997)
 HL-1250: **J9J221758** -

2) The old version of the TR electrode helical spring, **TR ELECTRODE HELICAL SPRING A (UL9071001)** should be used for HL-1240/1250 whose serial No. is before the number above and the numbers in the range of J9J212235 - J9J217459 & J9J219423 - J9J219997.

3) The old and new versions of the TR electrode helical spring are incompatible each other.

MODEL HL-1030/1240/1250/1270/1270N 84U-Z04/Z01/Z02/Z05/Z03-040

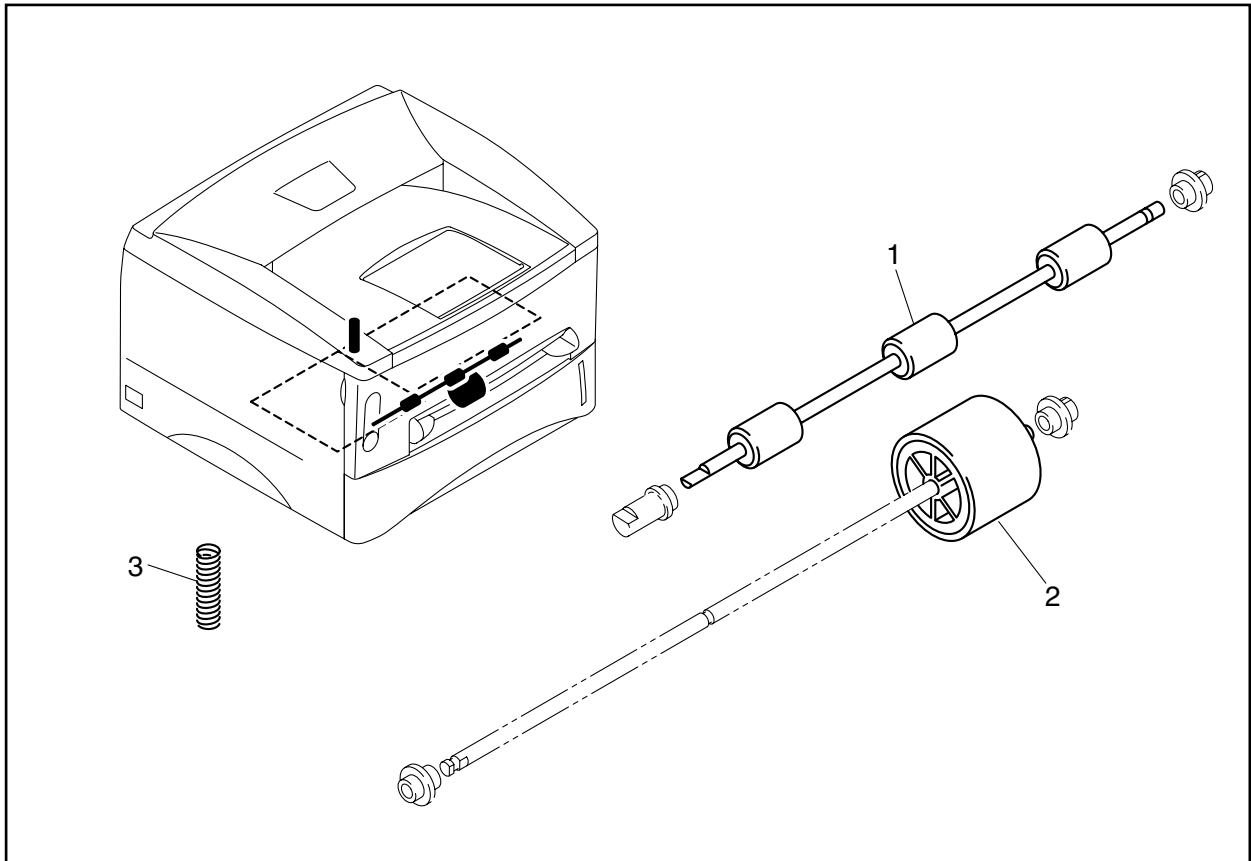
4. FIXING UNIT

| REF.NO. | CODE | QTY | DESCRIPTION | REMARK |
|---------|-----------|-----|----------------------------|--------|
| 1 | LJ4164001 | 1 | FIXING UNIT, 115V (SP) | |
| 1 | LJ4168001 | 1 | FIXING UNIT, 230V (SP) | |
| 1 | LJ4718001 | 1 | FIXING UNIT, 230V LEG (SP) | |
| 1-1 | UL8902001 | 1 | THERMISTOR ASSY | |
| 1-2 | 087311215 | 1 | TAPTITE, CUP B M3X12 | |
| 1-3 | LJ4169001 | 1 | HEAT ROLLER 25 (SP) | |
| 1-3 | LJ4719001 | 1 | HEAT ROLLER 25 LEG (SP) | |
| 1-4 | UL8908001 | 2 | HR BEARING 25 | |
| 1-5 | LJ4160001 | 1 | HALOGEN LAMP, 115V (SP) | |
| 1-5 | LJ4163001 | 1 | HALOGEN LAMP, 230V (SP) | |
| 1-6 | UL8929001 | 8 | EJECT PINCH ROLLER | |
| 1-7 | LJ4431001 | 8 | PINCH SPRING | |
| 1-8 | LJ4407001 | 2 | CLEANER ROLLER ASSY | |
| 1-9 | LJ4409001 | 2 | CLEANER SPRING | |
| 1-10 | 087312015 | 2 | TAPTITE, CUP B M3X20 | |
| 1-11 | Z07200001 | 1 | TAPTITE, PAN B M3X10 | |
| 1-12 | LJ4845001 | 4 | PICK OFF FINGER (SP) | |
| 2 | 087320815 | 1 | TAPTITE, CUP S M3X8 | |
| 3 | LJ4740001 | 2 | SHOULDER SCREW | |

MODEL HL-1030/1240/1250/1270/1270N 84U-Z04/Z01/Z02/Z05/Z03-050/051

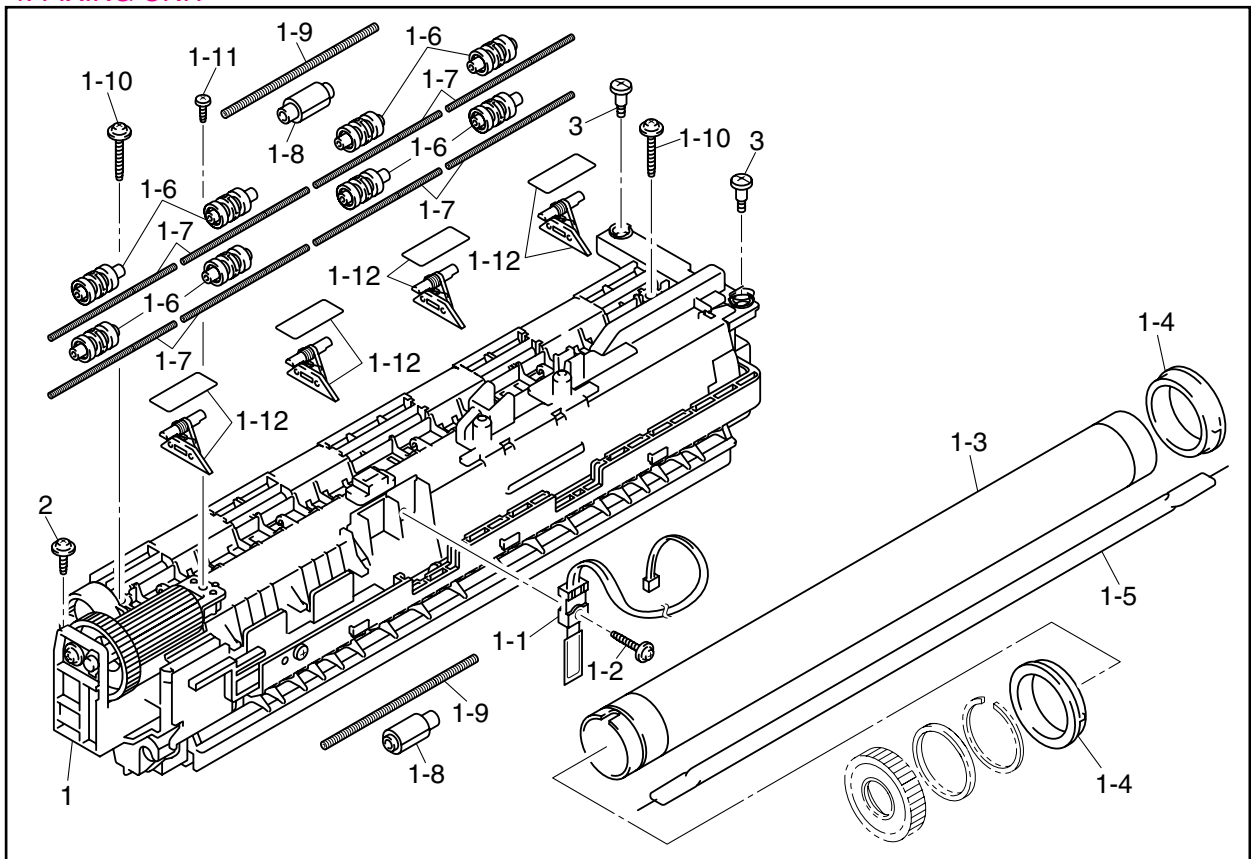
T/I NO. PR99179, PR99186, PR2000029

3. PAPER FEEDER



MODEL HL-1030/1240/1250/1270/1270N 84U-Z04/Z01/Z02/Z05/Z03-040

4. FIXING UNIT



MODEL HL-1030/1240/1250/1270/1270N 84U-Z04/Z01/Z02/Z05/Z03-050/051

T/I NO. PR2000029

5-1. PAPER CASSETTE, LGL

| REF.NO. | CODE | Q'TY | DESCRIPTION | REMARK |
|---------|-----------|------|--------------------------------|--------|
| 1 | LE1162001 | 1 | PAPER TRAY ASSY, LGL (SP) | |
| 1-1 | LJ4537001 | 1 | PRESSURE PLATE ASSY, LGL | |
| 1-2 | UL9077001 | 2 | PRESSURE PLATE SPRING | |
| 1-3 | UL9078001 | 1 | SIDE GUIDE L | |
| 1-4 | UL9079001 | 1 | SIDE GUIDE R | |
| 1-5 | U73515001 | 2 | TAPTITE, CUP B M2.6X5 | |
| 1-6 | UL9080001 | 2 | SIDE GUIDE RACK | |
| 1-7 | UL9081001 | 1 | SIDE GUIDE GEAR | |
| 1-8 | UL9082001 | 1 | FRICITION SPRING | |
| 1-9 | 087310815 | 1 | TAPTITE, CUP B M3X8 | |
| 1-10 | UL9083001 | 1 | REAR PAPER GUIDE | |
| 1-11 | UL9084001 | 1 | SEPARATION PAD HOLDER ASSY | |
| 1-12 | UL9090001 | 1 | SEPARATION PAD SPRING | |
| 1-13 | UL9091001 | 1 | PAPER INDICATOR | |
| 1-14 | UL9092001 | 1 | LOCK LEVER | |
| 1-15 | LJ4534001 | 1 | PRESSURE ROLLER HOLDER, LGL | |
| 1-16 | LJ4195001 | 1 | PRESSURE ROLLER COLLAR | |
| 1-17 | LJ4226001 | 1 | PRESSURE ROLLER SHAFT | |
| 1-18 | UL9095001 | 1 | RELEASE LEVER EXTENSION SPRING | |
| 1-19 | LJ2061001 | 1 | PAPER TRAY COVER | |
| 1-20 | UF8709001 | 1 | TAPTITE, TORX PAN B M3X8 | |
| 1-21 | LJ4272001 | 1 | TRAY COVER FILM | |
| 1-22 | LJ4221001 | 1 | SCRATCH SPONGE HOLDER ASSY | |
| 1-23 | LJ4200001 | 2 | SCRATCH SPONGE SPRING | |

MODEL HL-1030/1240/1250/1270N 84U-Z04/Z01/Z02/03-045

5-2. PAPER CASSETTE, A4

| REF.NO. | CODE | Q'TY | DESCRIPTION | REMARK |
|---------|-----------|------|--------------------------------|--------|
| 1 | LJ4181001 | 1 | PAPER TRAY ASSY, A4 (SP) | |
| 1-1 | UL9074001 | 1 | PRESSURE PLATE ASSY, A4 | |
| 1-2 | UL9077001 | 2 | PRESSURE PLATE SPRING | |
| 1-3 | UL9078001 | 1 | SIDE GUIDE L | |
| 1-4 | UL9079001 | 1 | SIDE GUIDE R | |
| 1-5 | U73515001 | 2 | TAPTITE, CUP B M2.6X5 | |
| 1-6 | UL9080001 | 2 | SIDE GUIDE RACK | |
| 1-7 | UL9081001 | 1 | SIDE GUIDE GEAR | |
| 1-8 | UL9082001 | 1 | FRICITION SPRING | |
| 1-9 | 087310815 | 1 | TAPTITE, CUP B M3X8 | |
| 1-10 | UL9083001 | 1 | REAR PAPER GUIDE | |
| 1-11 | UL9084001 | 1 | SEPARATION PAD HOLDER ASSY | |
| 1-12 | UL9090001 | 1 | SEPARATION PAD SPRING | |
| 1-13 | UL9091001 | 1 | PAPER INDICATOR | |
| 1-14 | UL9092001 | 1 | LOCK LEVER | |
| 1-15 | LJ4196001 | 1 | PRESSURE ROLLER HOLDER, A4 | |
| 1-16 | LJ4195001 | 1 | PRESSURE ROLLER COLLAR | |
| 1-17 | LJ4226001 | 1 | PRESSURE ROLLER SHAFT | |
| 1-18 | UL9095001 | 1 | RELEASE LEVER EXTENSION SPRING | |
| 1-19 | LJ2061001 | 1 | PAPER TRAY COVER | |
| 1-20 | UF8709001 | 1 | TAPTITE, TORX PAN B M3X8 | |
| 1-21 | LJ4272001 | 1 | TRAY COVER FILM | |
| 1-22 | LJ4221001 | 1 | SCRATCH SPONGE HOLDER ASSY | |
| 1-23 | LJ4200001 | 2 | SCRATCH SPONGE SPRING | |

MODEL HL-1030/1240/1250/1270N 84U-Z04/Z01/Z02/03-047

5-3. PAPER CASSETTE, PB

| REF.NO. | CODE | Q'TY | DESCRIPTION | REMARK |
|---------|-----------|------|--------------------------------|--------|
| 1 | LJ4639001 | 1 | PAPER TRAY ASSY 3 (SP) | |
| 1-1 | UL9074001 | 1 | PRESSURE PLATE ASSY, A4 | |
| 1-2 | LJ4621001 | 2 | PRESSURE PLATE SPRING 340 | |
| 1-3 | UL9078001 | 1 | SIDE GUIDE L | |
| 1-4 | UL9079001 | 1 | SIDE GUIDE R | |
| 1-5 | U73515001 | 2 | TAPTITE, CUP B M2.6X5 | |
| 1-6 | UL9080001 | 2 | SIDE GUIDE RACK | |
| 1-7 | UL9081001 | 1 | SIDE GUIDE GEAR | |
| 1-8 | UL9082001 | 1 | FRICTION SPRING | |
| 1-9 | 087310815 | 1 | TAPTITE, CUP B M3X8 | |
| 1-10 | UL9083001 | 1 | REAR PAPER GUIDE | |
| 1-11 | UL9084001 | 1 | SEPARATION PAD HOLDER ASSY | |
| 1-12 | LJ4705001 | 1 | SEPARATION PAD SPRING 300 | |
| 1-13 | UL9091001 | 1 | PAPER INDICATOR | |
| 1-14 | UL9092001 | 1 | LOCK LEVER | |
| 1-15 | LJ4196001 | 1 | PRESSURE ROLLER HOLDER | |
| 1-16 | LJ4195001 | 1 | PRESSURE ROLLER COLLAR | |
| 1-17 | LJ4226001 | 1 | PRESSURE ROLLER SHAFT | |
| 1-18 | UL9095001 | 1 | RELEASE LEVER EXTENSION SPRING | |
| 1-19 | LJ2061001 | 1 | PAPER TRAY COVER | |
| 1-20 | UF8709001 | 1 | TAPTITE, TORX PAN B M3X8 | |
| 1-21 | LJ4272001 | 1 | TRAY COVER FILM | |
| 1-22 | LJ4221001 | 1 | SCRATCH SPONGE HOLDER ASSY | |
| 1-23 | LJ4200001 | 2 | SCRATCH SPONGE SPRING | |

MODEL HL-1240 84U-Z01-049

T/I NO. PR99179

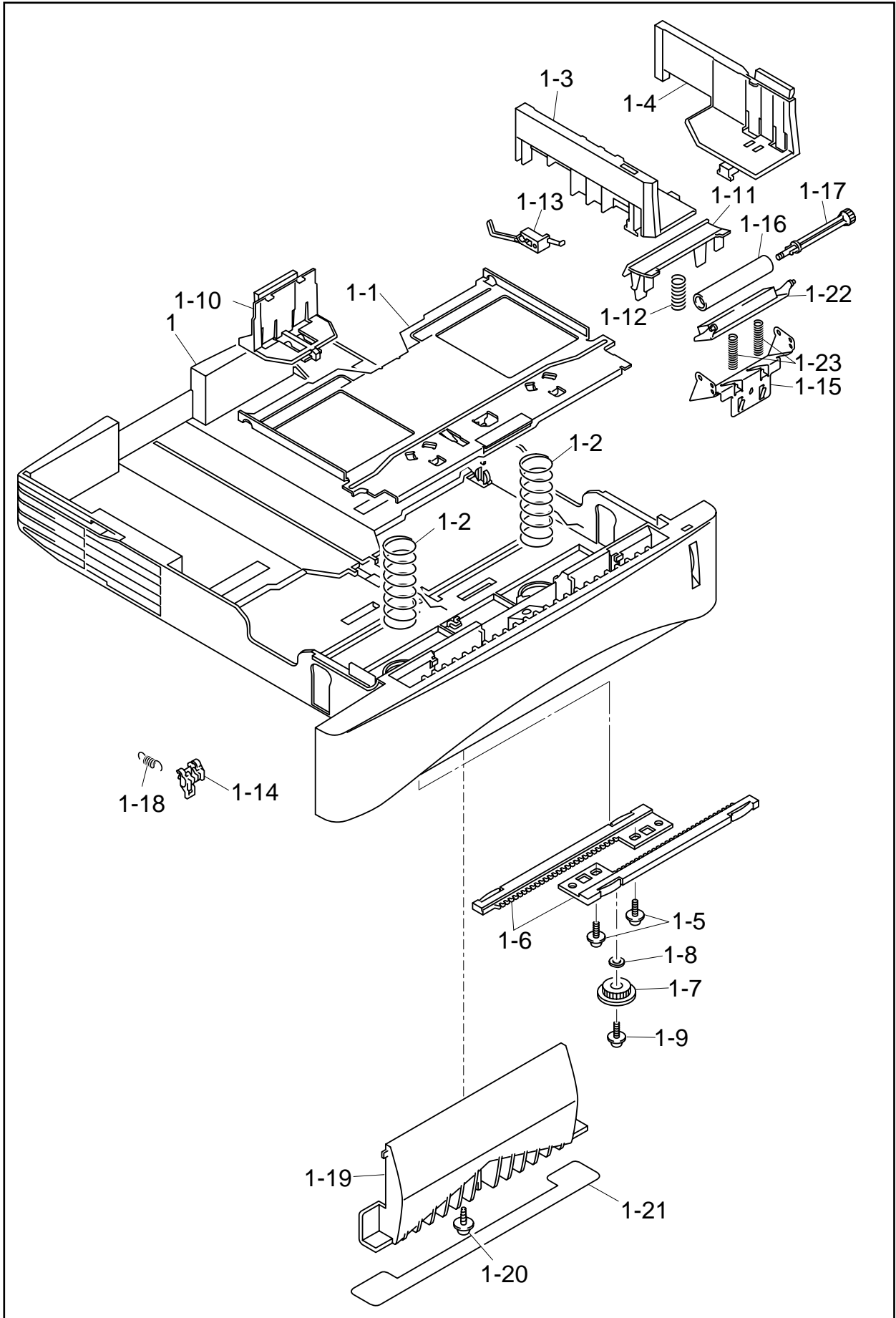
5-4. PAPER CASSETTE, LEG

| REF.NO. | CODE | Q'TY | DESCRIPTION | REMARK |
|---------|-----------|------|--------------------------------|--------|
| 1 | LJ4684001 | 1 | PAPER TRAY ASSY, LEG (SP) | |
| 1-1 | UL9074001 | 1 | PRESSURE PLATE ASSY, A4 | |
| 1-2 | UL9077001 | 2 | PRESSURE PLATE SPRING | |
| 1-3 | UL9078001 | 1 | SIDE GUIDE L | |
| 1-4 | UL9079001 | 1 | SIDE GUIDE R | |
| 1-5 | U73515001 | 2 | TAPTITE, CUP B M2.6X5 | |
| 1-6 | UL9080001 | 2 | SIDE GUIDE RACK | |
| 1-7 | UL9081001 | 1 | SIDE GUIDE GEAR | |
| 1-8 | UL9082001 | 1 | FRICTION SPRING | |
| 1-9 | 087310815 | 1 | TAPTITE, CUP B M3X8 | |
| 1-10 | UL9083001 | 1 | REAR PAPER GUIDE | |
| 1-11 | UL9084001 | 1 | SEPARATION PAD HOLDER ASSY | |
| 1-12 | LJ4622001 | 1 | SEPARATION PAD SPRING 250 | |
| 1-13 | UL9091001 | 1 | PAPER INDICATOR | |
| 1-14 | UL9092001 | 1 | LOCK LEVER | |
| 1-15 | LJ4196001 | 1 | PRESSURE ROLLER HOLDER, A4 | |
| 1-16 | LJ4195001 | 1 | PRESSURE ROLLER COLLAR | |
| 1-17 | LJ4226001 | 1 | PRESSURE ROLLER SHAFT | |
| 1-18 | UL9095001 | 1 | RELEASE LEVER EXTENSION SPRING | |
| 1-19 | LJ2061001 | 1 | PAPER TRAY COVER | |
| 1-20 | UF8709001 | 1 | TAPTITE, TORX PAN B M3X8 | |
| 1-21 | LJ4272001 | 1 | TRAY COVER FILM | |
| 1-22 | LJ4221001 | 1 | SCRATCH SPONGE HOLDER ASSY | |
| 1-23 | LJ4200001 | 2 | SCRATCH SPONGE SPRING | |

MODEL HL-1240/1250/1270N 84U-Z06/Z07/08-043

T/I NO. PR99179

5. PAPER CASSETTE



MODEL HL-1030/1240/1250/1270N 84U-Z04/Z01/Z02/Z03-045/047

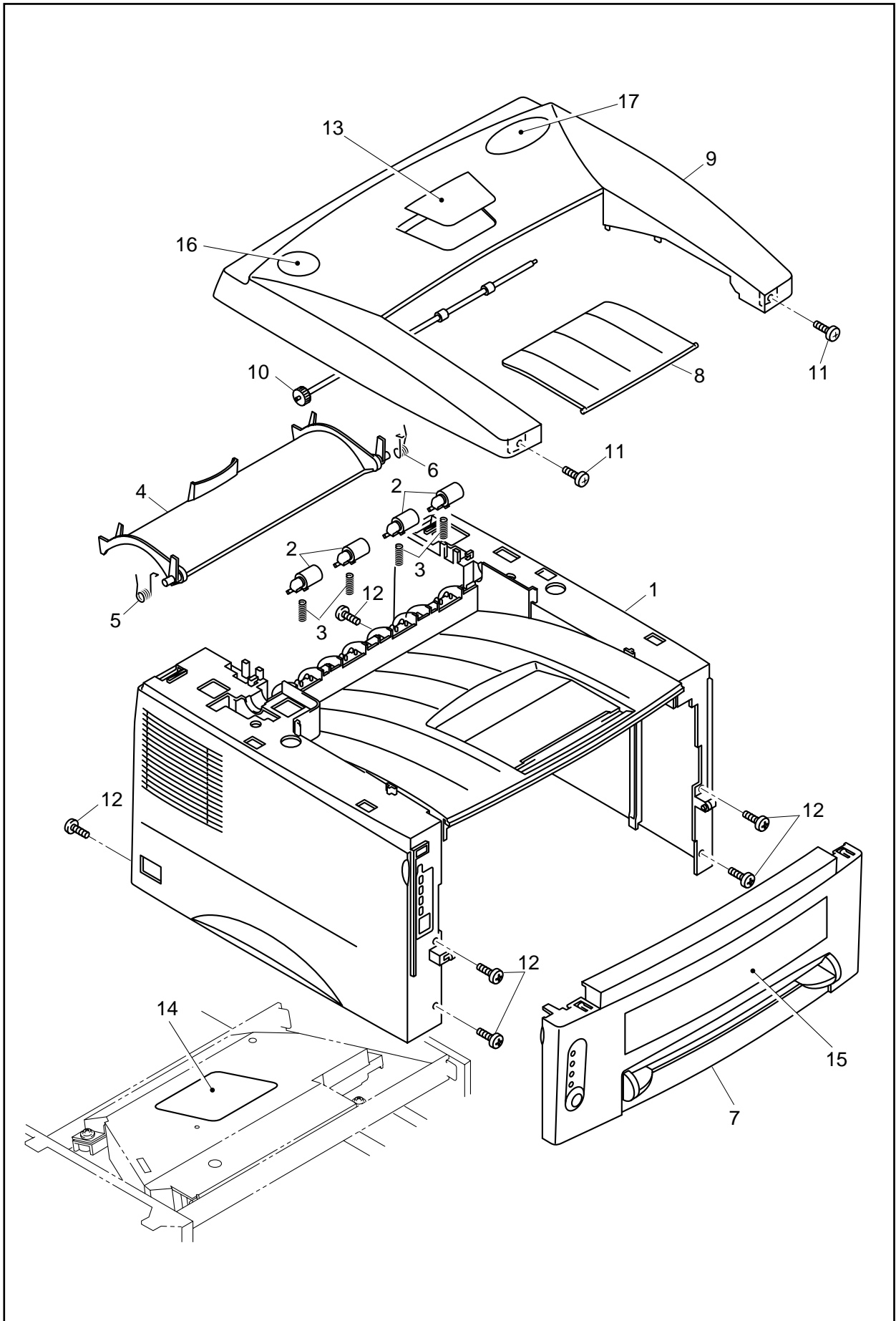
6. COVERS

| REF.NO. | CODE | Q'TY | DESCRIPTION | REMARK |
|---------|-----------|------|------------------------------------|--------|
| 1 | LJ4122001 | 1 | MAIN COVER ASSY | |
| 2 | UL9122001 | 4 | PINCH ROLLER ASSY | |
| 3 | UL9125001 | 4 | PINCH ROLLER SPRING | |
| 4 | UL9126001 | 1 | REAR COVER | |
| 5 | UL9127001 | 1 | REAR COVER SPRING L | |
| 6 | UL9128001 | 1 | REAR COVER SPRING R | |
| 7 | UL9129001 | 1 | FRONT COVER ASSY | |
| 7 | LJ4526001 | 1 | FRONT COVER ASSY LE | |
| 8 | UL9140001 | 1 | TRAY EXTENSION FLAP | |
| 9 | UL9088001 | 1 | TOP COVER | |
| 10 | UL9142001 | 1 | SECOND EJECT ROLLER ASSY | |
| 11 | 087321015 | 2 | TAPTITE, CUP S M3X10 | |
| 12 | 085320816 | 6 | TAPTITE, BIND S M3X8 | |
| 13 | LJ8166001 | 1 | MODEL PLATE 1030 | |
| 13 | UL9143001 | 1 | MODEL PLATE 1240 | |
| 13 | UL9315001 | 1 | MODEL PLATE 1250 | |
| 13 | LJ4794001 | 1 | MODEL PLATE 1270 | |
| 13 | LJ4135001 | 1 | MODEL PLATE 1270N | |
| 13 | LJ4452001 | 1 | MODEL PLATE J624 | |
| 13 | LJ4460001 | 1 | MODEL PLATE 2312P | |
| 13 | LJ4496001 | 1 | MODEL PLATE 2412P | |
| 13 | LJ4724001 | 1 | MODEL PLATE 8212N | |
| 14 | UL6740001 | 1 | LASER CAUTION LABEL, EUR | |
| 14 | UL7931001 | 1 | LASER LABEL LEGEND | |
| 15 | LJ8167001 | 1 | MYLAR LABEL 1030, CAN | |
| 15 | LJ8172001 | 1 | MYLAR LABEL 1030, EUR | |
| 15 | UL9146001 | 1 | MYLAR LABEL 1240, US | |
| 15 | UL9249001 | 1 | MYLAR LABEL 1240, CAN | |
| 15 | UL9250001 | 1 | MYLAR LABEL 1240, EUR | |
| 15 | UL9316001 | 1 | MYLAR LABEL 1250, US | |
| 15 | LJ4078001 | 1 | MYLAR LABEL 1250, CAN | |
| 15 | UL9317001 | 1 | MYLAR LABEL 1250, EUR | |
| 15 | LJ4136001 | 1 | MYLAR LABEL 1270N, US | |
| 15 | LJ4232001 | 1 | MYLAR LABEL 1270N, CAN | |
| 15 | LJ4137001 | 1 | MYLAR LABEL 1270N, EUR | |
| 16 | LJ4048001 | 1 | MYLAR LABEL 1240/1250/1270N, US 2 | |
| 16 | LJ4050001 | 1 | MYLAR LABEL 1240/1250/1270N, CAN 2 | |
| 17 | LJ4049001 | 1 | MYLAR LABEL 1240/1250/1270N, US 3 | |
| 17 | LJ4051001 | 1 | MYLAR LABEL 1240/1250/1270N, CAN 3 | |

MODEL HL-1030/1240/1250/1270/1270N 84U-Z05/Z04/Z01/Z02/03-060

T/I NO. PR99165, PR99179, PR99204, PR2000005

6. COVERS



MODEL HL-1030/1240/1250/1270N 84U-Z04/Z01/Z02/Z03-060

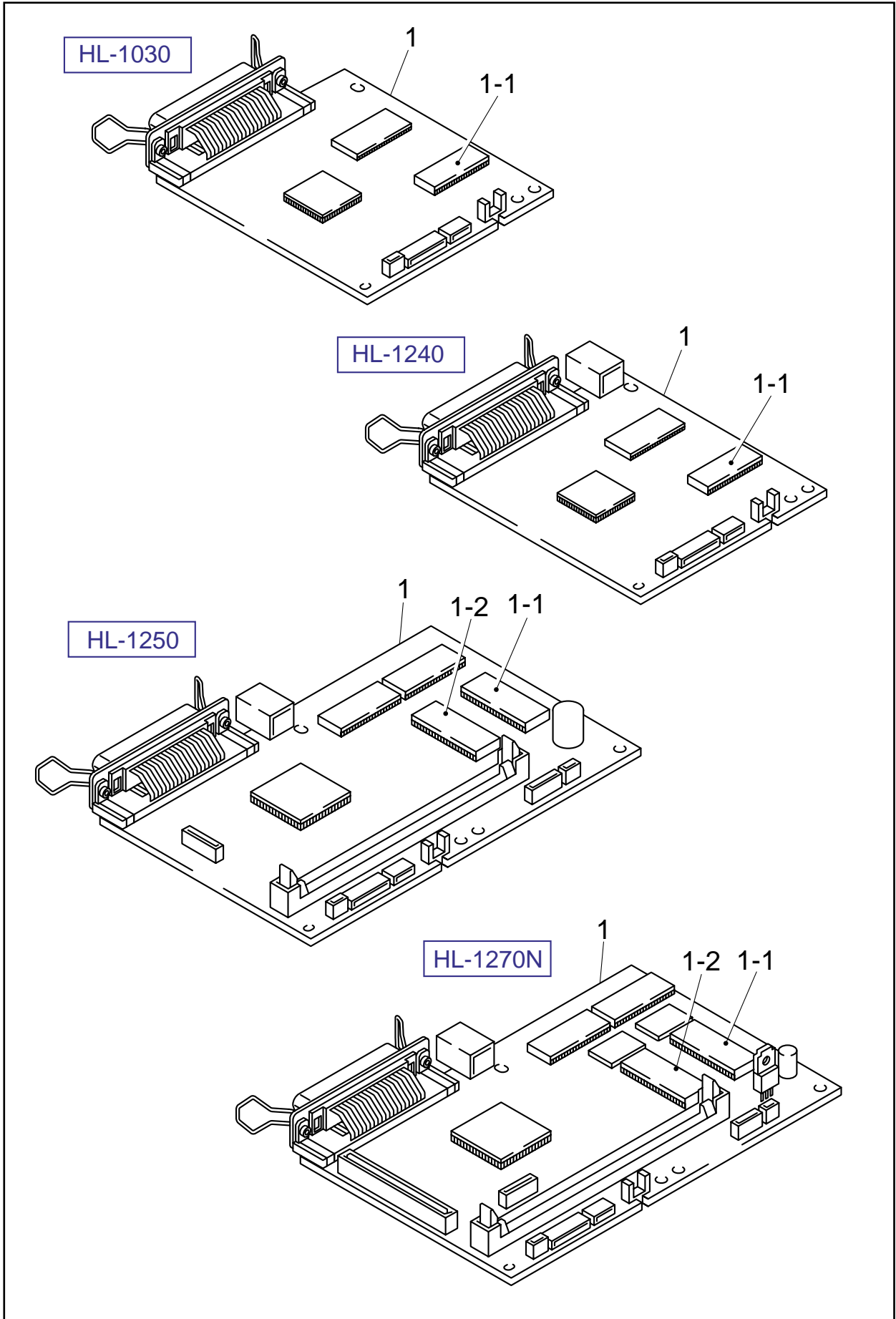
7. MAIN PCB

| REF.NO. | CODE | Q'TY | DESCRIPTION | SYMBOL | REMARK |
|---------|-----------|------|---------------------------------|--------------|--------|
| 1 | LJ8239001 | 1 | MAIN PCB ASSY, HL-1030 (SP) | B512040-350B | |
| 1 | LJ8066001 | 1 | MAIN PCB ASSY, HL-1240 (SP) | B512040-410E | |
| 1 | LJ8067001 | 1 | MAIN PCB ASSY, HL-1240 HEB (SP) | B512040-311 | |
| 1 | LJ8251001 | 1 | MAIN PCB ASSY, HL-1240 PB (SP) | B512040-445E | |
| 1 | LJ8160001 | 1 | MAIN PCB ASSY, 2312P LEG (SP) | B512040-313D | |
| 1 | LJ8080001 | 1 | MAIN PCB ASSY, HL-1250 (SP) | B512049-210H | |
| 1 | LJ8233001 | 1 | MAIN PCB ASSY, 2412P LEG (SP) | B512049-113D | |
| 1 | LJ8082001 | 1 | MAIN PCB ASSY, HL-1270N (SP) | B512049-100G | |
| 1 | LJ8041001 | 1 | MAIN PCB ASSY, 8212N LEG (SP) | B512049-113 | |
| 1-1 | LJ8253001 | 1 | MASK ROM, HL-1030/1240 | | |
| 1-1 | LJ8047001 | 1 | MASK ROM, HL-1240 HEB | | |
| 1-1 | LJ8254001 | 1 | MASK ROM, HL-1250 LOW | | |
| 1-1 | LJ8248001 | 1 | MASK ROM, HL-1270N LOW | | |
| 1-1 | LJ8248001 | 1 | MASK ROM, 8212N LEG LOW | | |
| 1-2 | LJ8255001 | 1 | MASK ROM, HL-1250 HIGH | | |
| 1-2 | LJ8249001 | 1 | MASK ROM, HL-1270N HIGH | | |
| 1-2 | LJ8249001 | 1 | MASK ROM, 8212N LEG HIGH | | |

MODEL HL-1030/1240/1250/1270/1270N 84U-Z05/Z04/Z01/Z02/03-101/103

T/I NO. PR99165, PR99179, PR99194, PR99198, PR99203, PR99207, PR2000015

7.MAIN PCB



MODEL HL-1030/1240/1250/1270N 84U-Z04/Z01/Z02/Z03-101/103

T/I NO. PR99165

8. ENGINE PCB

| REF.NO. | CODE | Q'TY | DESCRIPTION | SYMBOL | REMARK |
|--|-----------|------|-----------------------------------|--------------|--------|
| 1 | LJ4178001 | 1 | ENGINE PCB ASSY A, 1240 (SP) | B512059-501C | |
| 1 | LJ8157001 | 1 | ENGINE PCB ASSY B, 1030/1240 (SP) | B512075-121D | |
| 1 | LJ4222001 | 1 | ENGINE PCB ASSY A, 1250 (SP) | B512059-502C | |
| 1 | LJ8158001 | 1 | ENGINE PCB ASSY B, 1250/1270 (SP) | B512059-522B | |
| <p>CAUTION:</p> <p>1) The new versions of the engine PCB, ENGINE PCB ASSY B, 1240/1030 (LJ8157001) & ENGINE PCB ASSY B, 1250/1270 (LJ8158001) should be used for ALL HL-1030/1270N printers and the HL-1240/1250 printers whose serial No. is the following number or later;</p> <p>HL-1240: J9J211817 - (EXCEPT J9J212235 - J9J217459, J9J219423 - J9J219997) HL-1250: J9J221758 -</p> <p>2) The old versions of the engine PCB, ENGINE PCB ASSY A, 1240 (LJ4178001) & ENGINE PCB ASSY A, 1250 (LJ4222001) should be used for HL-1240/1250 whose serial No. is before the number above and the numbers in the range of J9J212235 - J9J217459 & J9J219423 - J9J219997.</p> <p>3) The old and new versions of the engine PCB are incompatible each other.</p> | | | | | |

MODEL HL-1030/1240/1250/1270/1270N 84U-Z05/Z04/Z01/Z02/03-151

T/I NO. PR99165 / PR99197 / PR99202 / PR99213 / PR2000016

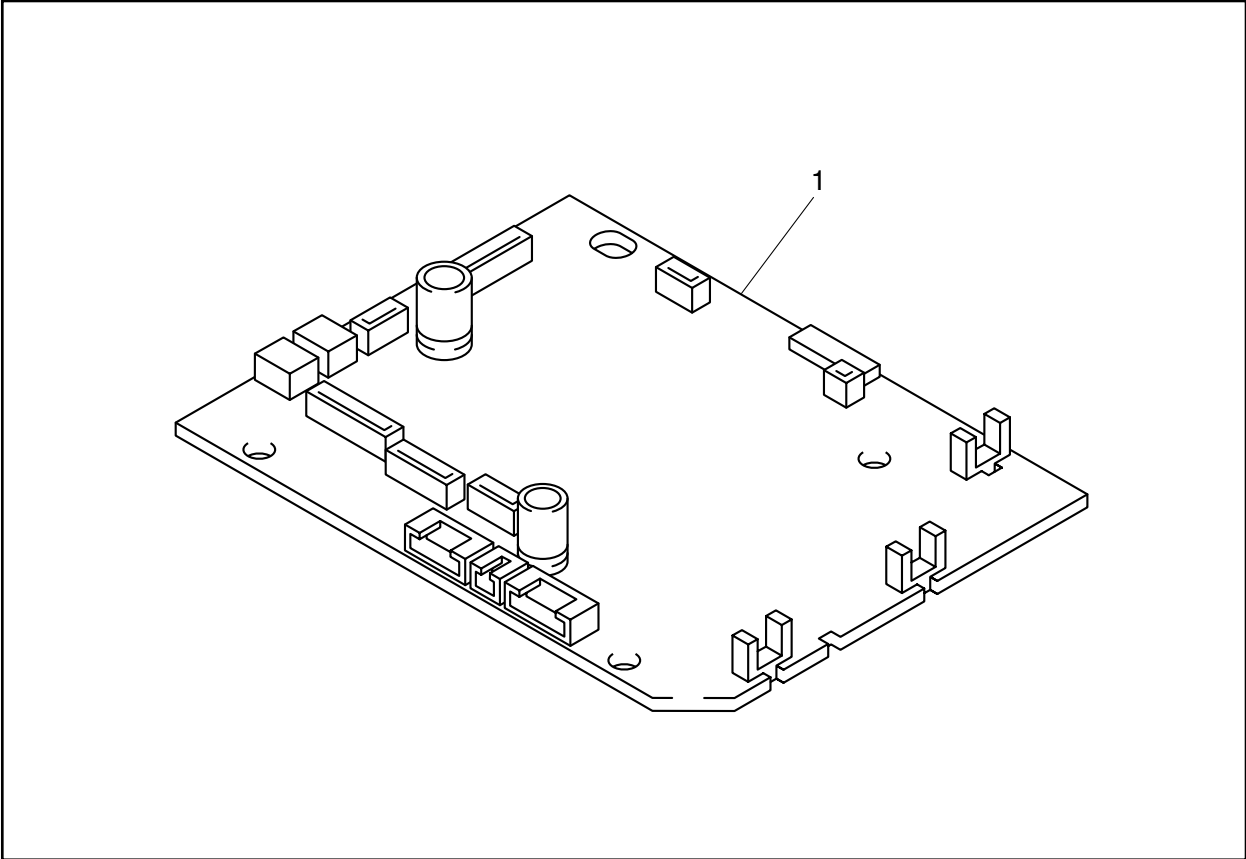
9. LOW-VOLTAGE POWER SUPPLY PCB

| REF.NO. | CODE | Q'TY | DESCRIPTION | SYMBOL | REMARK |
|---------|-----------|------|--------------------------------|--------|--------|
| 1 | LE1539001 | 1 | LOW-VOLTAGE PS ASSY, 115V (SP) | | |
| 1 | LJ4175001 | 1 | LOW-VOLTAGE PS ASSY, 230V (SP) | | |
| 2 | UK4426001 | 1 | INLET UNIT, 115V | | |
| 2 | UK4430001 | 1 | INLET UNIT, 230V | | |
| 3 | 085320816 | 1 | TAPTITE, BIND S M3X8 | | |
| 4 | 087320616 | 1 | TAPTITE, CUP S M3X6 | | |
| 5 | LJ4756001 | 1 | AC INLET FILM | | |

MODEL HL-1030/1240/1250/1270/1270N 84U-Z05/Z04/Z01/Z02/03-200/201

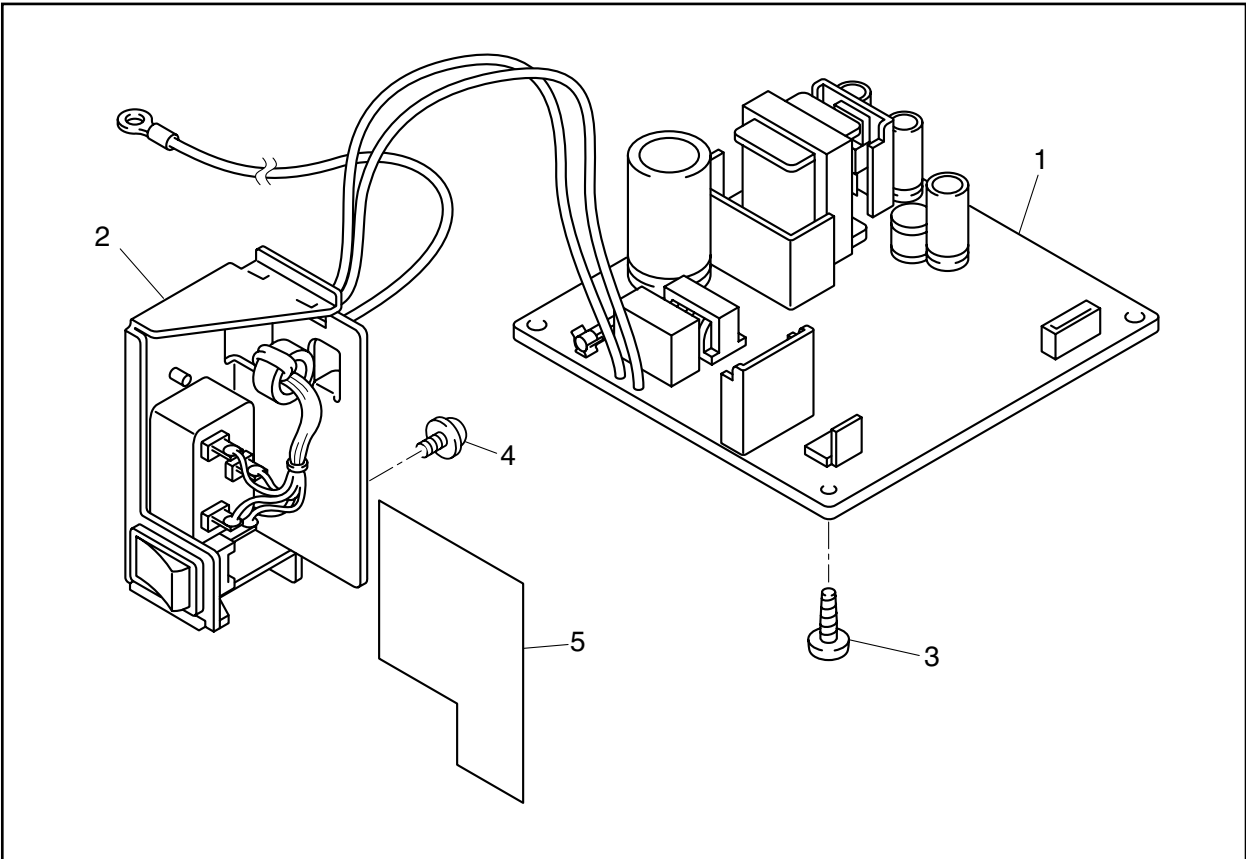
T/I NO. PR99188, PR99189

8. ENGINE PCB



MODEL HL-1030/1240/1250/1270N 84U-Z04/Z01/Z02/Z03-151

9. LOW-VOLTAGE POWER SUPPLY PCB



MODEL HL-1030/1240/1250/1270N 84U-Z04/Z01/Z02/Z03-200/201

10. HIGH-VOLTAGE POWER SUPPLY PCB

| REF.NO. | CODE | Q'TY | DESCRIPTION | REMARK |
|---|-----------|------|-----------------------------|--------|
| 1 | LJ4176001 | 1 | HIGH-VOLTAGE PS ASSY A (SP) | |
| 1 | LJ8156001 | 1 | HIGH-VOLTAGE PS ASSY B (SP) | |
| 2 | 085411215 | 4 | SCREW BIND B TITE M4X12 | |
| <p>CAUTION:</p> <p>1) The new version of the high-voltage power supply PCB, HIGH-VOLTAGE PS ASSY B (LJ8156001) should be used for ALL HL-1030/1270N printers and the HL-1240/1250 printers whose serial No. is the following number or later;</p> <p>HL-1240: J9J211817 - (EXCEPT J9J212235 - J9J217459, J9J219423 - J9J219997) HL-1250: J9J221758 -</p> <p>2) The old version of the high-voltage power supply PCB, HIGH-VOLTAGE PS ASSY A (LJ4176001) should be used for HL-1240/1250 whose serial No. is before the number above and the numbers in the range of J9J212235 - J9J217459 & J9J219423 - J9J219997.</p> <p>3) The old and new versions of the high-voltage power supply PCB are incompatible each other.</p> | | | | |

MODEL HL-1030/1240/1250/1270N 84U-Z04/Z01/Z02/03-220

T/I NO. PR99153, PR99165

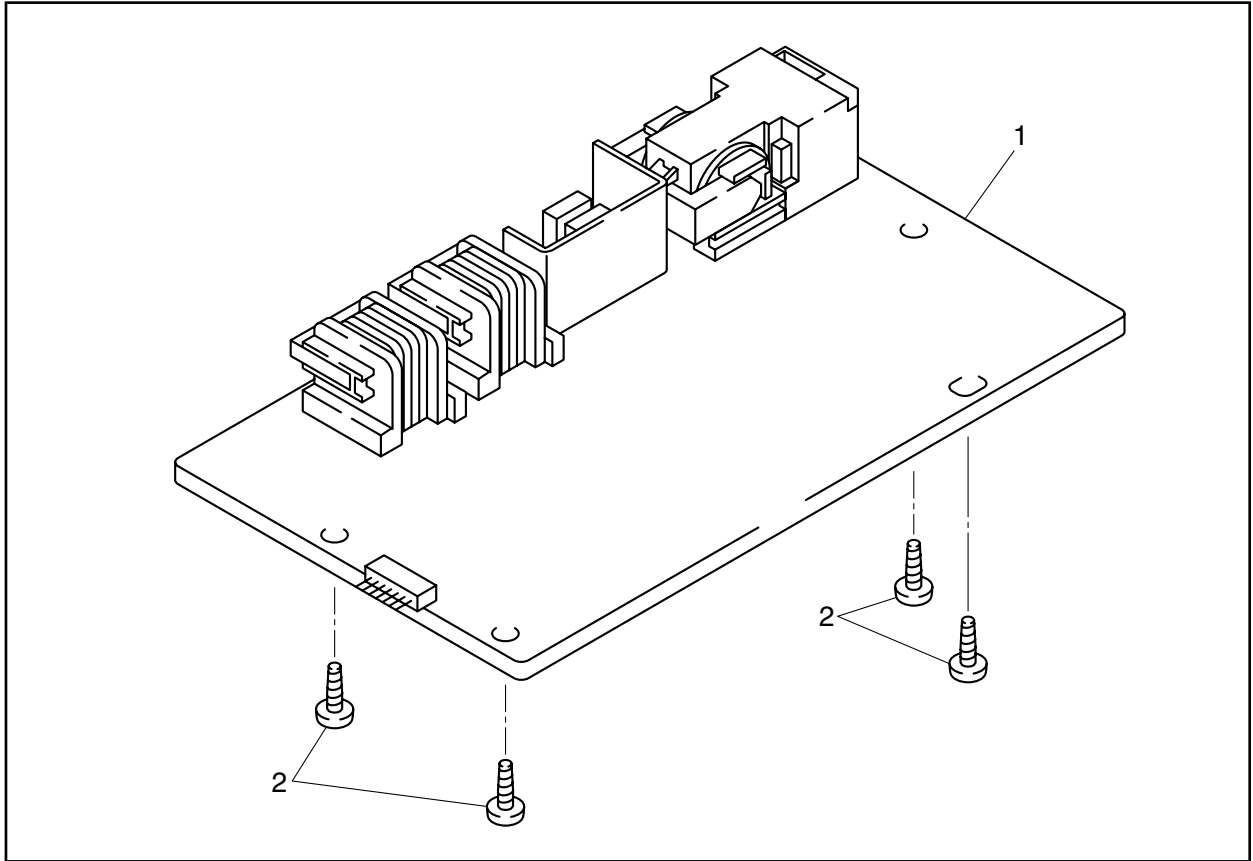
11. AC CORDS

| REF.NO. | CODE | Q'TY | DESCRIPTION | REMARK |
|---------|-----------|------|---------------------|--------|
| 1A | UH1051001 | 1 | AC CORD, UL/CSA | |
| 1B | UK4503001 | 1 | AC CORD ASSY, SAA | |
| 1C | UK4502001 | 1 | AC CORD ASSY, SEV | |
| 1D | UK4099001 | 1 | AC CORD, CHLI | |
| 1E | UH1054001 | 1 | AC CORD, BS | |
| 1F | U34322001 | 1 | AC CORD #6, ISRAEL | |
| 1G | U34320001 | 1 | AC CORD #4, BS | |
| 1H | UK4094001 | 1 | AC CORD, DEMKO | |
| 1I | UK4501001 | 1 | AC CORD ASSY, VDE | |
| 1J | UK3610001 | 1 | AC CORD ASSY, CHN96 | |

MODEL HL-1030/1240/1250/1270N 84U-Z04/Z01/Z02/03-230

T/I NO. PR99179

10. HIGH VOLTAGE POWER SUPPLY PCB



MODEL HL-1030/1240/1250/1270N 84U-Z04/Z01/Z02/Z03-220

11. AC CORD

| | | | |
|----|--|----|--|
| 1A | | 1F | |
| 1B | | 1G | |
| 1C | | 1H | |
| 1D | | 1I | |
| 1E | | 1J | |

MODEL HL-1030/1240/1250/1270N 84U-Z04/Z01/Z02/Z03-23 0

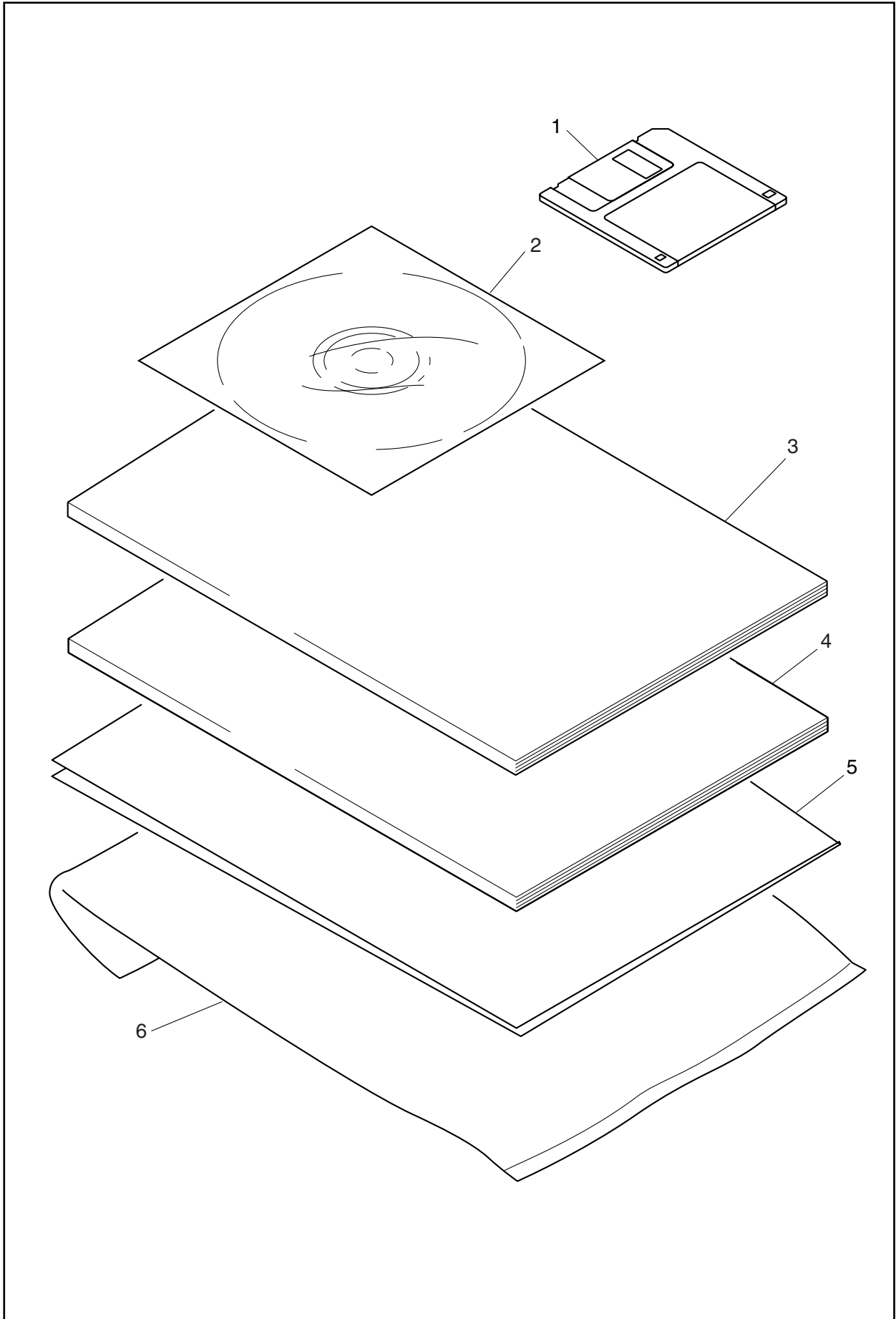
12. ACCESSORIES

| REF.NO. | CODE | Q'TY | DESCRIPTION | REMARK |
|---------|-----------|------|-------------------------------------|--------|
| 1 | LJ8161001 | 1 | PR DRIVER DISK ASSY 1, HL-1030 | |
| 1 | LJ8162001 | 1 | PR DRIVER DISK ASSY 2, HL-1030 | |
| 1 | UK4387001 | 1 | PR DRIVER DISK ASSY 1, HL-1240 | |
| 1 | UK4392001 | 1 | PR DRIVER DISK ASSY 2, HL-1240 | |
| 1 | UK4390001 | 1 | PR DRIVER DISK ASSY 1, HL-1250 | |
| 1 | UK4394001 | 1 | PR DRIVER DISK ASSY 2, HL-1250 | |
| 1 | LJ8035001 | 1 | PR DRIVER DISK ASSY 1, HL-1270N | |
| 1 | LJ8036001 | 1 | PR DRIVER DISK ASSY 2, HL-1270N | |
| 1 | LJ8090001 | 1 | PR DRIVER DISK ASSY LEG 2312P | |
| 1 | LJ8244001 | 1 | PR DRIVER DISK ASSY LEG 2412P | |
| 1 | LJ4728001 | 1 | PR DRIVER DISK ASSY LEG 8212N | |
| 2 | LJ8141001 | 1 | CD ASSY | |
| 2 | LJ8040001 | 1 | CD ASSY, PB | |
| 2 | LJ4727001 | 1 | CD ASSY, LEG | |
| 2 | L8261001 | 1 | CD ASSY, KOR | |
| 3 | LJ4746001 | 1 | SETUP GUIDE, US | |
| 3 | LJ4748001 | 1 | SETUP GUIDE, FRA | |
| 3 | LJ4747001 | 1 | SETUP GUIDE, GER | |
| 3 | LJ4750001 | 1 | SETUP GUIDE, NL | |
| 3 | LJ4749001 | 1 | SETUP GUIDE, NOR | |
| 3 | LJ4754001 | 1 | SETUP GUIDE, SWE | |
| 3 | LJ4751001 | 1 | SETUP GUIDE, DEN | |
| 3 | LJ4752001 | 1 | SETUP GUIDE, SPA | |
| 3 | LJ4753001 | 1 | SETUP GUIDE, ITA | |
| 3 | LJ4650001 | 1 | SETUP GUIDE, PB | |
| 4 | LJ4585001 | 1 | NETWORK SETUP GUIDE, US (HL-1270N) | |
| 4 | LJ4586001 | 1 | NETWORK SETUP GUIDE, FRA (HL-1270N) | |
| 4 | LJ4587001 | 1 | NETWORK SETUP GUIDE, GER (HL-1270N) | |
| 4 | LJ4588001 | 1 | NETWORK SETUP GUIDE, NL (HL-1270N) | |
| 4 | LJ4590001 | 1 | NETWORK SETUP GUIDE, SPA (HL-1270N) | |
| 4 | LJ4589001 | 1 | NETWORK SETUP GUIDE, ITA (HL-1270N) | |
| 5 | LJ4802001 | 1 | WIN2000 QUICK SETUP GUIDE, US | |
| 5 | LJ4803001 | 1 | WIN2000 QUICK SETUP GUIDE, FRA | |
| 5 | LJ4804001 | 1 | WIN2000 QUICK SETUP GUIDE, GER | |
| 5 | LJ4805001 | 1 | WIN2000 QUICK SETUP GUIDE, NL | |
| 5 | LJ4806001 | 1 | WIN2000 QUICK SETUP GUIDE, NOR | |
| 5 | LJ4807001 | 1 | WIN2000 QUICK SETUP GUIDE, SWE | |
| 5 | LJ4808001 | 1 | WIN2000 QUICK SETUP GUIDE, ITA | |
| 5 | LJ4809001 | 1 | WIN2000 QUICK SETUP GUIDE, DEN | |
| 5 | LJ4810001 | 1 | WIN2000 QUICK SETUP GUIDE, SPA | |
| 6 | UE2014001 | 1 | BAG, 215X350H | |

MODEL HL-1030/1240/1250/1270/1270N 84U-Z04/Z01/Z02/Z05/Z03-920

T/I NO. PR99165, PR99179, PR99206, PR99211, PR99212, PR2000022

12. ACCESSORIES



MODEL HL-1030/1240/1250/1270/1270N 84U-Z04/Z01/Z02/Z05/Z03-920

T/I NO. PR99165 / PR2000022

13. PACKING MATERIALS

| REF.NO. | CODE | Q'TY | DESCRIPTION | REMARK |
|---------|-----------|------|-------------------------|--------|
| 1 | LL0125001 | 1 | CARTON, HL-1030 EU | |
| 1 | LL0124001 | 1 | CARTON, HL-1030 CAN | |
| 1 | UE0818001 | 1 | CARTON, HL-1240 US | |
| 1 | UE0822001 | 1 | CARTON, HL-1240 CAN | |
| 1 | UE0820001 | 1 | CARTON, HL-1240 EU | |
| 1 | LL0014001 | 1 | CARTON, HL-1250 US | |
| 1 | LL0015001 | 1 | CARTON, HL-1250 CAN | |
| 1 | LL0016001 | 1 | CARTON, HL-1250 EU | |
| 1 | LL0194001 | 1 | CARTON, HL-1270 A4 | |
| 1 | LJ4186001 | 1 | CARTON, HL-1270N US | |
| 1 | LJ4538001 | 1 | CARTON, HL-1270N CAN | |
| 1 | LJ4188001 | 1 | CARTON, HL-1270N EU | |
| 1 | LL0046001 | 1 | CARTON, OEM | |
| 1 | LL0045001 | 1 | CARTON, LEG 2312P | |
| 1 | LL0047001 | 1 | CARTON, LEG 2412P | |
| 1 | LL0151001 | 1 | CARTON, LEG 8212N | |
| 2 | UE2280001 | 1 | STYROFORM PAD ASSY, LGL | |
| 2 | LJ4038001 | 1 | STYROFORM PAD ASSY, A4 | |
| 3 | UE2283001 | 1 | ACCESSORY CARTON | |
| 4 | UE2126001 | 1 | BAG, 700X800H | |

MODEL HL-1030/1240/1250/1270/1270N 84U-Z05/Z04/Z01/Z02/03-930

T/I NO. PR99165, PR99179, PR99206, PR99211, PR2000005

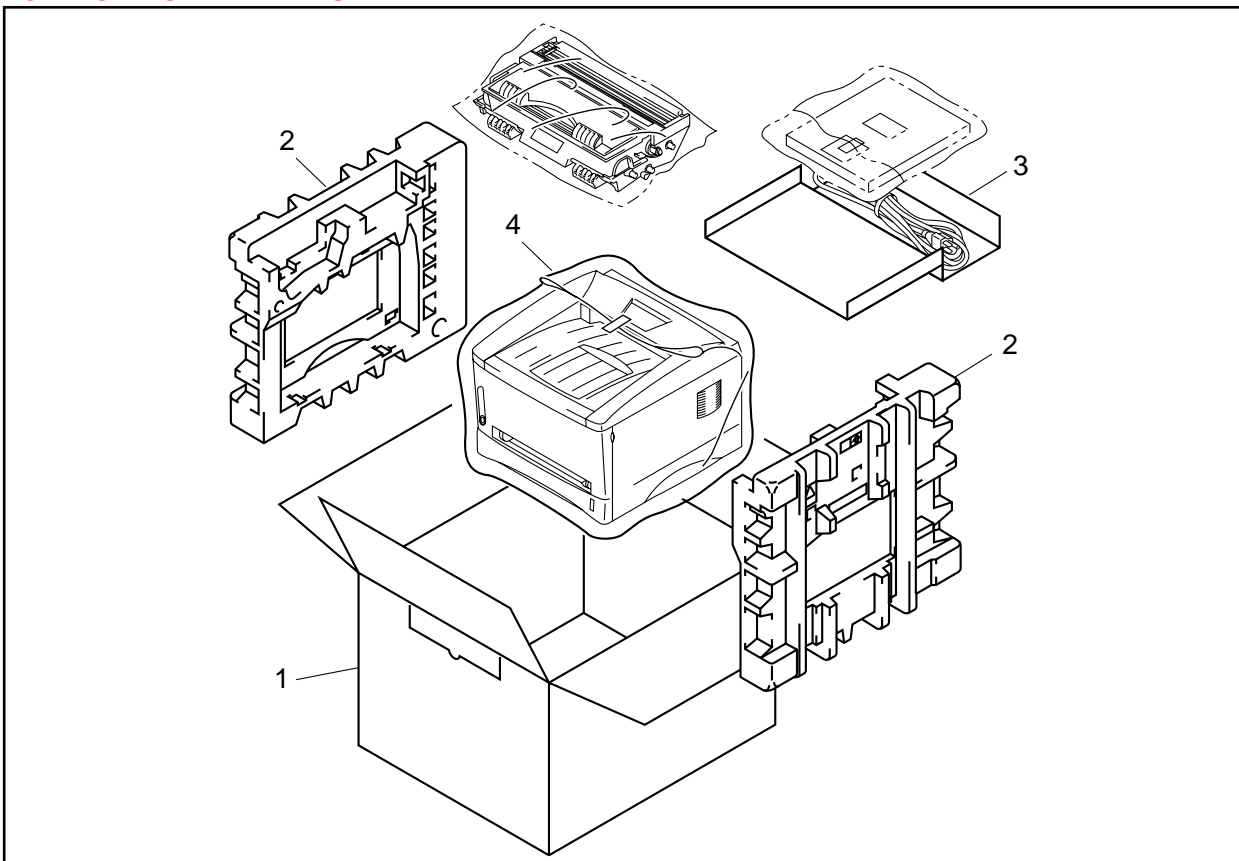
14. NETWORK BOARD

| REF.NO. | CODE | Q'TY | DESCRIPTION | SYMBOL | REMARK |
|---------|-----------|------|---------------------|--------------|--------|
| 1 | LJ8083001 | 1 | BRNET PCB UNIT (SP) | B512058-100A | |
| 1-1 | 087320616 | 2 | TAPTITE, CUP S M3X6 | | |

MODEL HL-1270N 84U-Z03-150

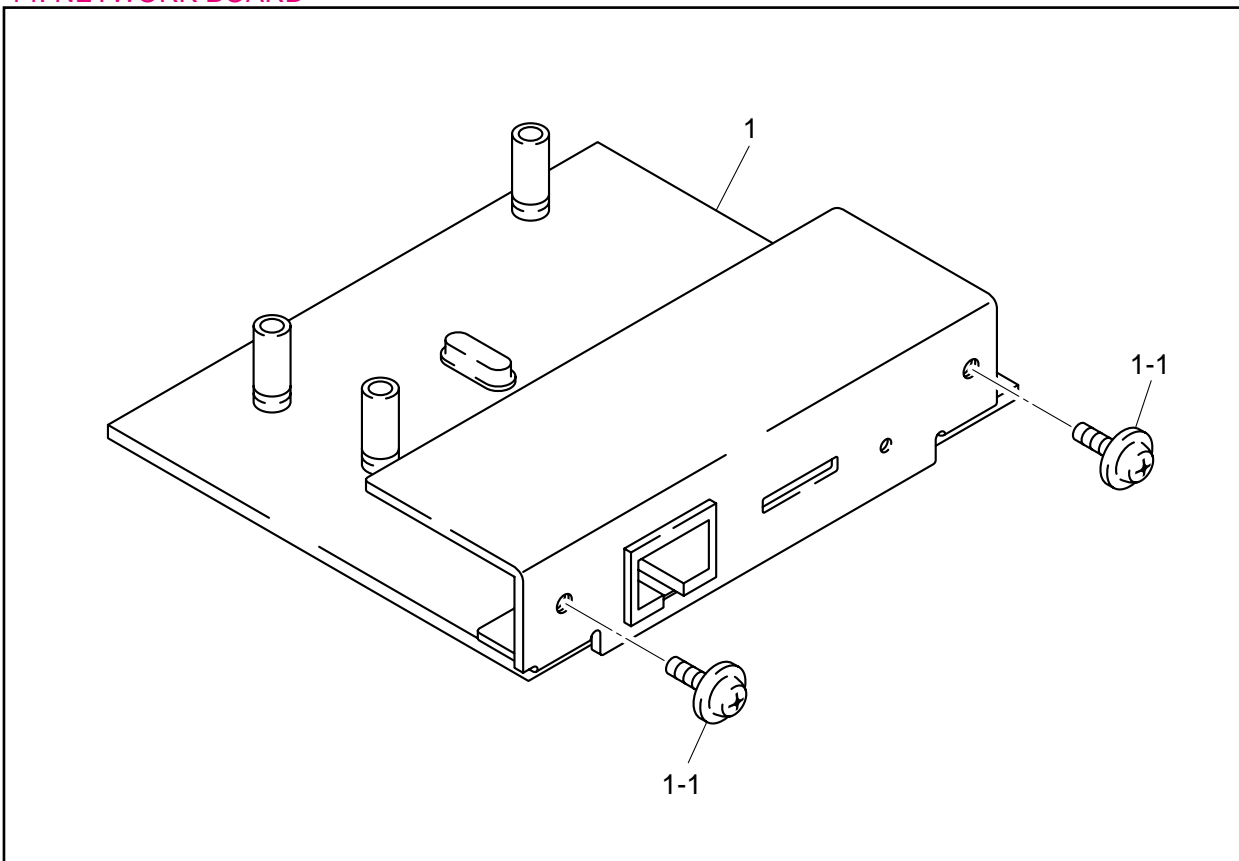
T/I NO. PR99165

13. PACKING MATERIALS



MODEL HL-1030/1240/1250/1270N 84U-Z04/Z01/Z02/Z03-930

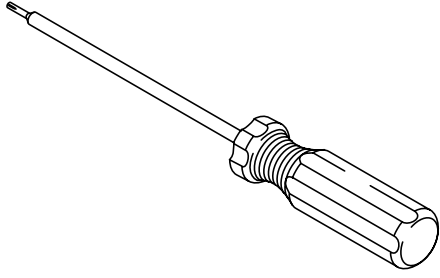
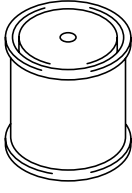
14. NETWORK BOARD



MODEL HL-1270N 84U-Z03-150

T/I NO. PR99165

15. ADJUSTING TOOLS

| <div style="display: flex; justify-content: space-around; align-items: center;"> <div style="text-align: center;"> <p>PRT-402</p>  </div> <div style="text-align: center;"> <p>PRT-001f</p>  </div> </div> | | |
|---|-------------------|--------|
| TOOL NO. | TOOL NAME | REMARK |
| PRT-402 | TORX SCREW DRIVER | |
| PRT-001f | MOLYKOTE PG-662 | |

MODEL HL-1030/1240/1250/1270N 84U-Z04/Z01/Z02/Z03

T/I NO. PR99165