

**brother**<sup>®</sup>

**LASER PRINTER  
PARTS REFERENCE LIST**

**MODEL:HL-1060**

**brother**<sup>®</sup>

Mar., '97  
54U007BE0  
Printed in Japan

**MECHANISMS & ELECTRONICS**

## NOTE FOR USING THIS PARTS REFERENCE LIST

1. In the case of ordering parts, it needs mentioning the following items:

- (1) Code
- (2) Q'ty
- (3) Description
- (4) Symbol ( PCB No., Revision , and Parts location mounted on the PCB.)

Note : No orders without Parts Code or Tool No. can be accepted.

< Example >

REF.NO.	SYMBOL	CODE	Q'TY	DESCRIPTION	REMARKS

Revision No. : marked on the printed circuit board.

B48K056 - 201A



2. Design-changed parts:

If the parts are changed, any one of the following symbols is indicated in the REMARKS column.

- #A : compatible between old and new
- #B : replaceable from old to new
- #D : incompatible
- # : newly established

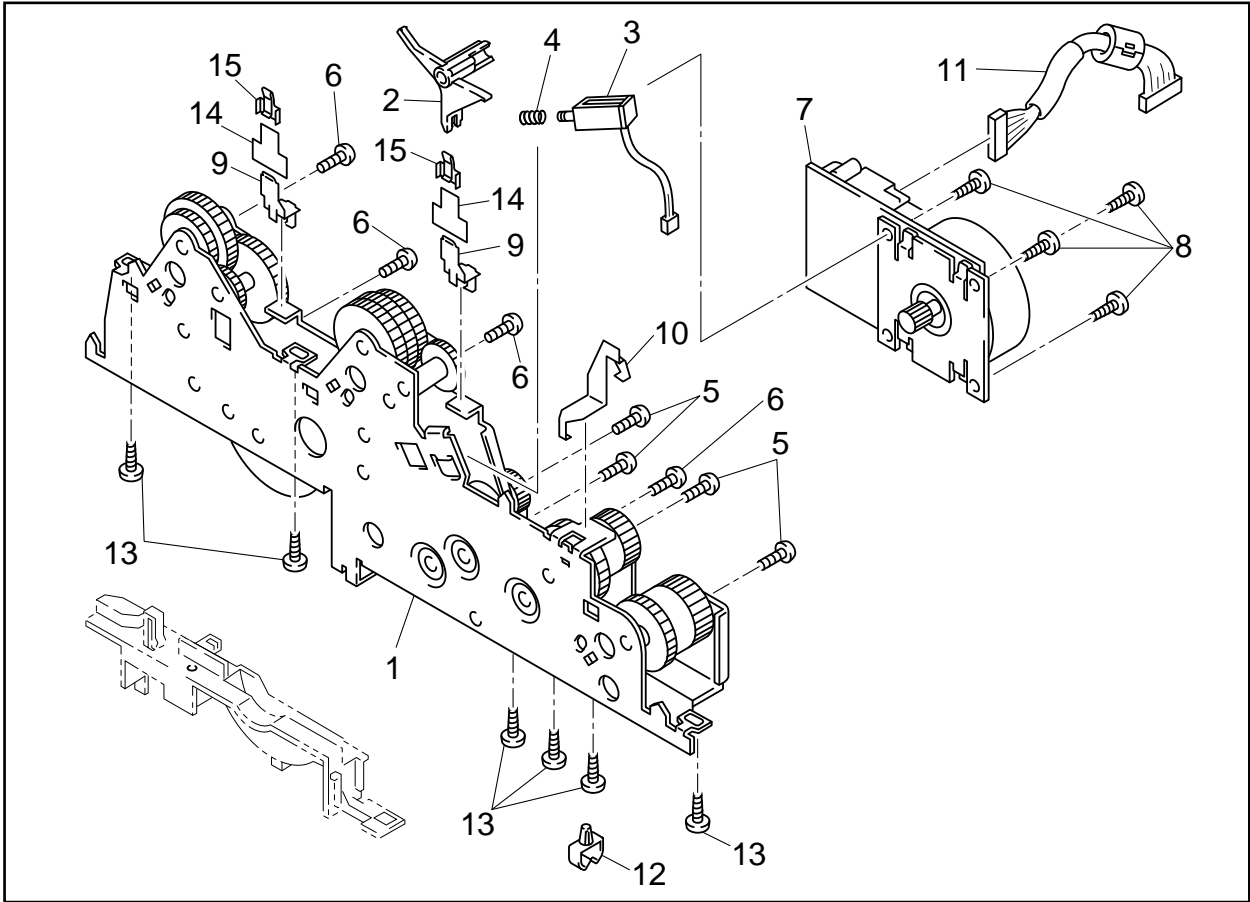
3. The original of this list was made based on the information available in Mar.,1997.

4. Parts are subject to change in design without prior notice.

# CONTENTS

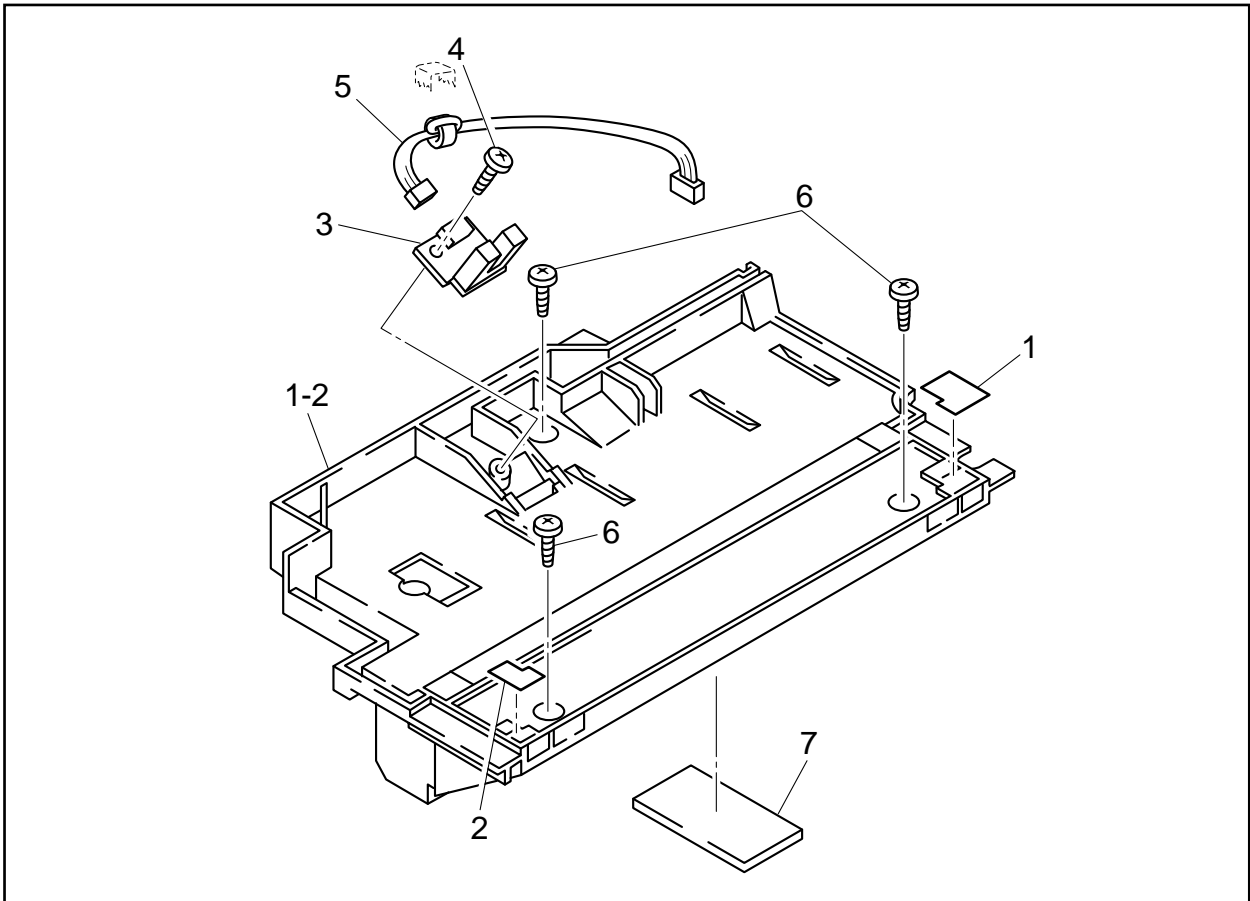
1. DRIVE UNIT .....	1
2. SCANNER UNIT .....	1
3. MP SHEET FEEDER .....	3
4. PAPER FEEDER UNIT .....	3
5. FIXING UNITS .....	5
6. COVERS .....	7
7. MAIN PCB .....	5
8. DRIVER PCB .....	10
9. POWER SUPPLY PCB .....	10
10. HIGH-VOLTAGE POWER SUPPLY .....	12
11. AC CORDS .....	12
12. ACCESORRIES .....	14
13. PACKING MATERIALS .....	16

1. DRIVE UNIT



MODEL HL-1060 54U-S01-010

2. SCANNER UNIT



MODEL HL-1060 54U-S01-020

## 1. DRIVE UNIT

1997/2/13

REF.NO	CODE	Q'TY	DESCRIPTION	REMARK
1	UH3302001	1	DRIVE UNIT Y (SP)	
2	UH3031000	1	REGIST SOLENOID LEVER	
3	UH3032001	1	REGIST SOLENOID	
4	UH3033001	1	REGIST SOLENOID SPRING	
5	060300605	4	SCREW, BIND M3X6	
6	060300605	4	SCREW, BIND M3X6	
7	UH3036001	1	MAIN MOTOR ASSY	
8	085320516	4	TAPTITE, BIND S M3X4	
9	UH3037000	2	GROUND PLATE SPRING	
10	UH3038000	1	STATIC REMOVAL PLATE SPRING	
11	UK3584001	1	MAIN MOTOR HARNESS ASSY	
12	UH3040000	1	HEATER HARNESS HOOK	
13	087411215	6	TAPTITE, CUP B M4X12	
14	UH3046000	2	PLATE SPRING FILM	
15	UH3047000	2	PLATE SPRING CAP	

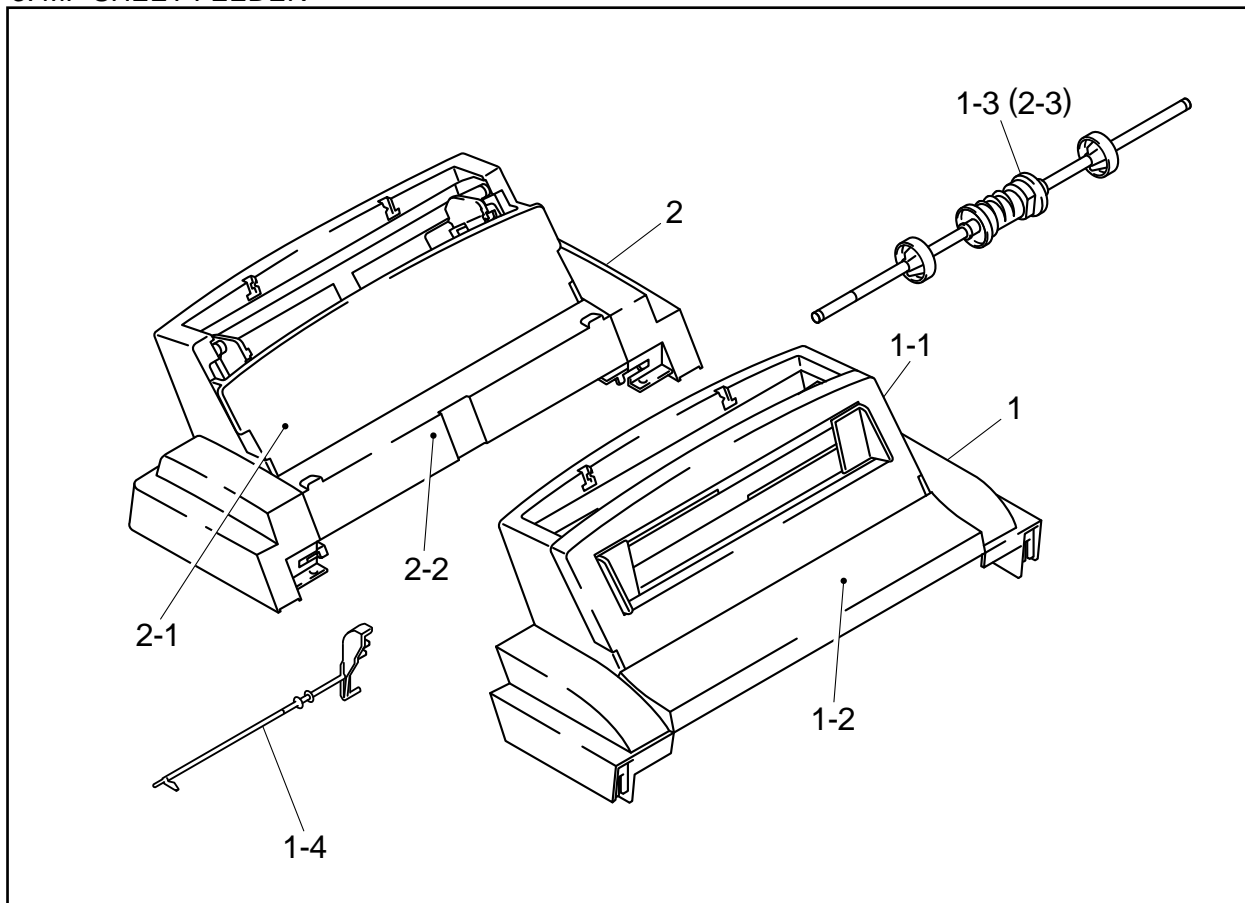
MODEL HL-1060 54U-S01-010

## 2. SCANNER UNIT

REF.NO	CODE	Q'TY	DESCRIPTION	SYMBOL	REMARK
1-2	UH3301001	1	SCANNER UNIT Y (SP)	(B48K226)	
1	UL6614001	1	S SHEET 1		
2	UL6615001	1	S SHEET 2		
3	UG4142001	1	TONER SENSOR PCB ASSY F	B53K268	
4	087310815	1	TAPTITE, CUP B M3X8		
5	UK3588001	1	TONER SENSOR HARNESS ASSY		
6	085411215	3	TAPTITE, BIND B M4X12		
7	UH3067001	1	S SHEET 4		

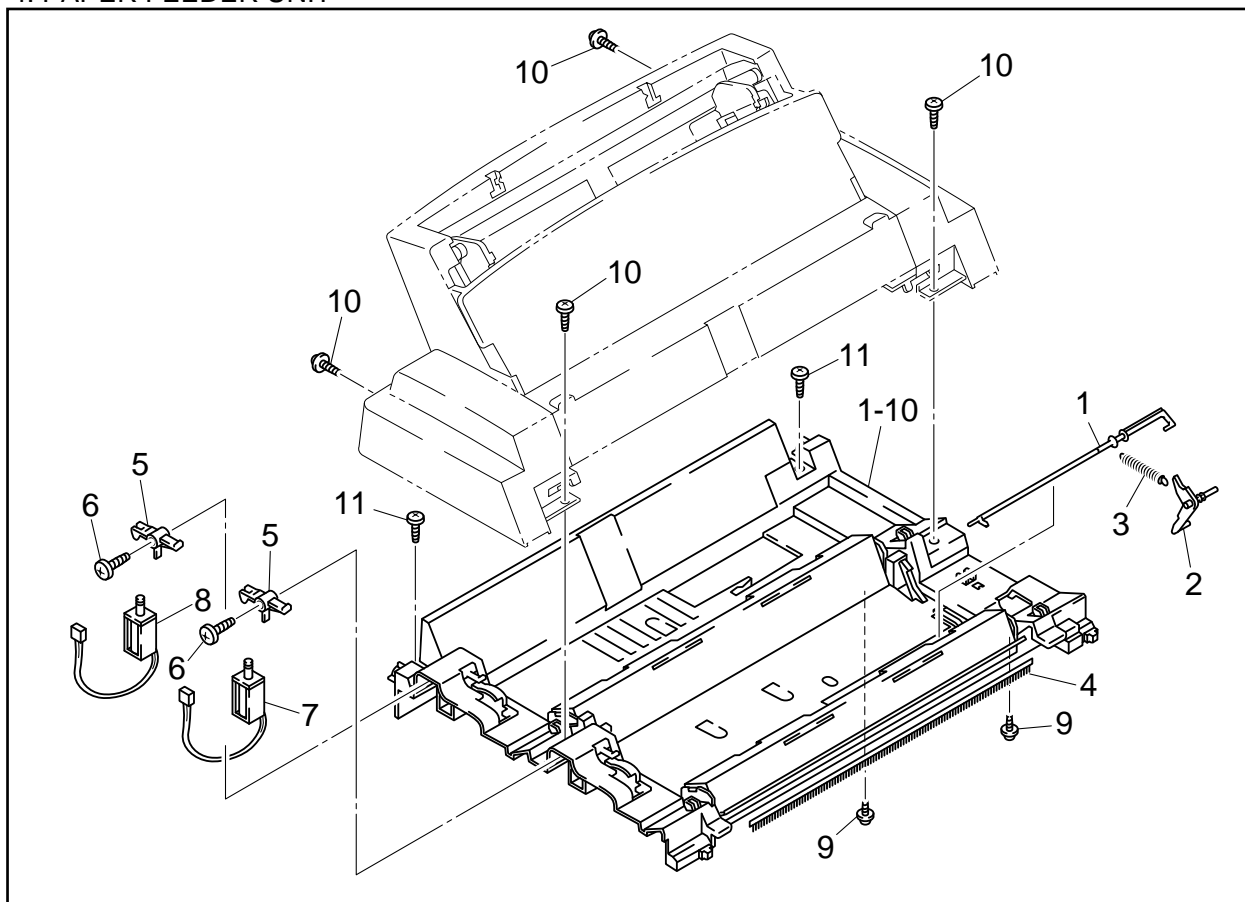
MODEL HL-1060 54U-S01-020

### 3. MP SHEET FEEDER



MODEL HL-1060 54U-S01-040/041

### 4. PAPER FEEDER UNIT



MODEL HL-1060 54U-S01-042

3. MP SHEET FEEDER

REF.NO	CODE	Q'TY	DESCRIPTION	REMARK
1	UH3303001	1	MP SHEET FEEDER 1 ASSY Y (SP)	
1-1	UH3314001	1	MP FEEDER 1 COVER ASSY HY (SP)	
1-2	UH3078001	1	PICK-UP ROLLER COVER 1, GRAY1227	
1-3	UH3074001	1	P PICK-UP ROLLER SHAFT ASSY Y	
1-4	UH3077001	1	REGIST SENSOR ACTUATOR 1Y	
2	UH3304001	1	MP SHEET FEEDER 2 ASSY Y (SP)	
2-1	UD4344001	1	MP FEEDER 2 COVER HY	
2-2	UH3104001	1	PICK-UP ROLLER COVER 2, GRAY1227	
2-3	UH3074001	1	P PICK-UP ROLLER SHAFT ASSY Y	

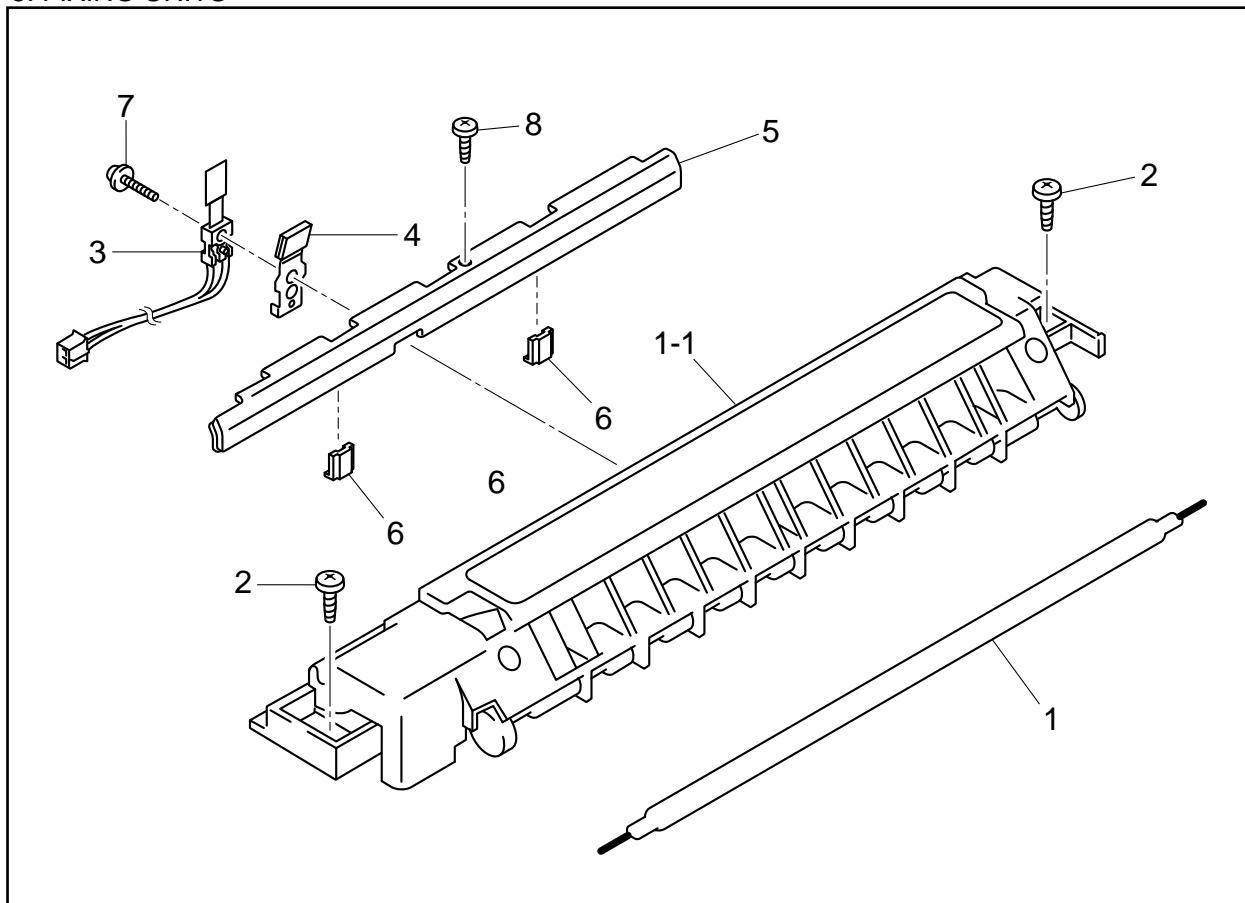
MODEL HL-1060 54U-S01-040/041

4. PAPER FEEDER UNIT

REF.NO	CODE	Q'TY	DESCRIPTION	REMARK
1-10	UH3305001	1	PAPER FEED UNIT Y (SP)	
1	UH3139001	1	REGIST SENSOR ACTUATOR 2 Y	
2	UH3140001	1	REGIST SENSOR LINK, BLACK	
3	UH3141001	1	SPRING, EXTENSION	
4	UL6933001	1	PAPER DUST REMOVING BRUSH S	
5	UH3145000	2	PAPER PICK-UP SOLENOID LEVER	
6	087270815	2	TAPTITE, CUP B M2.6X8	
7	UH3146001	1	PAPER PICK-UP SOLENOID ASSY 1	
8	UH3147001	1	PAPER PICK-UP SOLENOID ASSY 2	
9	087310815	2	TAPTITE, CUP B M3X8	
10	085411416	4	TAPTITE, BIND B M4X14	
11	085411216	2	TAPTITE, BIND B M4X12	

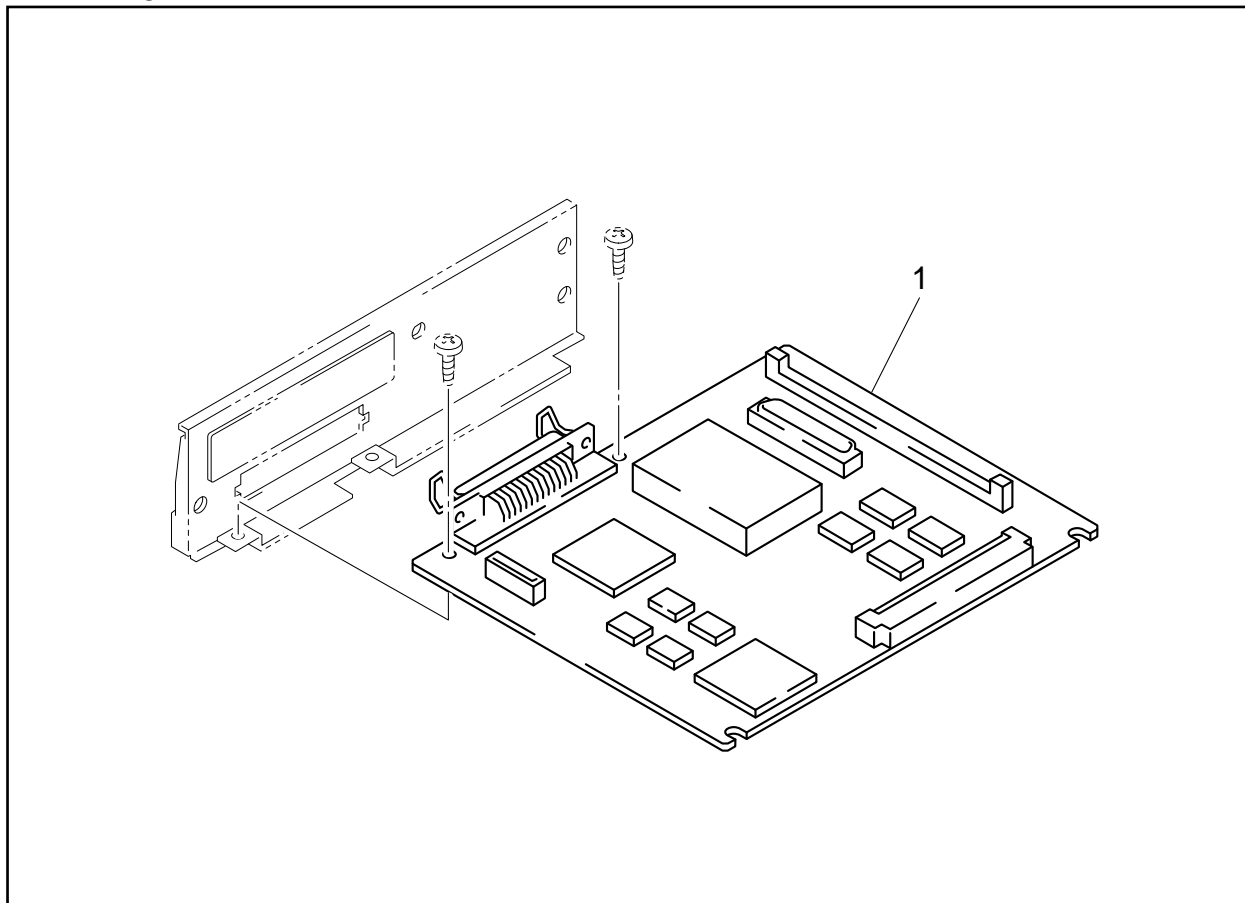
MODEL HL-1060 54U-S01-042

5. FIXING UNITS



MODEL HL-1060 54U-S01-051

7. MAIN PCB



MODEL HL-1060 54U-S01-101



5. FIXING UNITS

REF.NO	CODE	Q'TY	DESCRIPTION	REMARK
1-1	UH3308001	1	FIXING UNIT Y, 120V (SP)	
1-1	UH3309001	1	FIXING UNIT Y, 230V (SP)	
1	UH3306001	1	HALOGEN LAMP Y, 120V (SP)	
1	UH3307001	1	HALOGEN LAMP Y, 230V (SP)	
2	087411616	2	TAPTITE, CUP B M4X16	
3	UH3196001	1	THERMISTOR ASSY Y	
4	UH3188001	1	CLEANER ASSY Y	
5	UH3310001	1	CLEANER ASSY HR (SP)	
6	UH3195001	3	CLEANER LOCK	
7	087311415	1	TAPTITE, CUP B 3X14	
8	085270817	1	TAPTITE, BIND B 2.6X8	

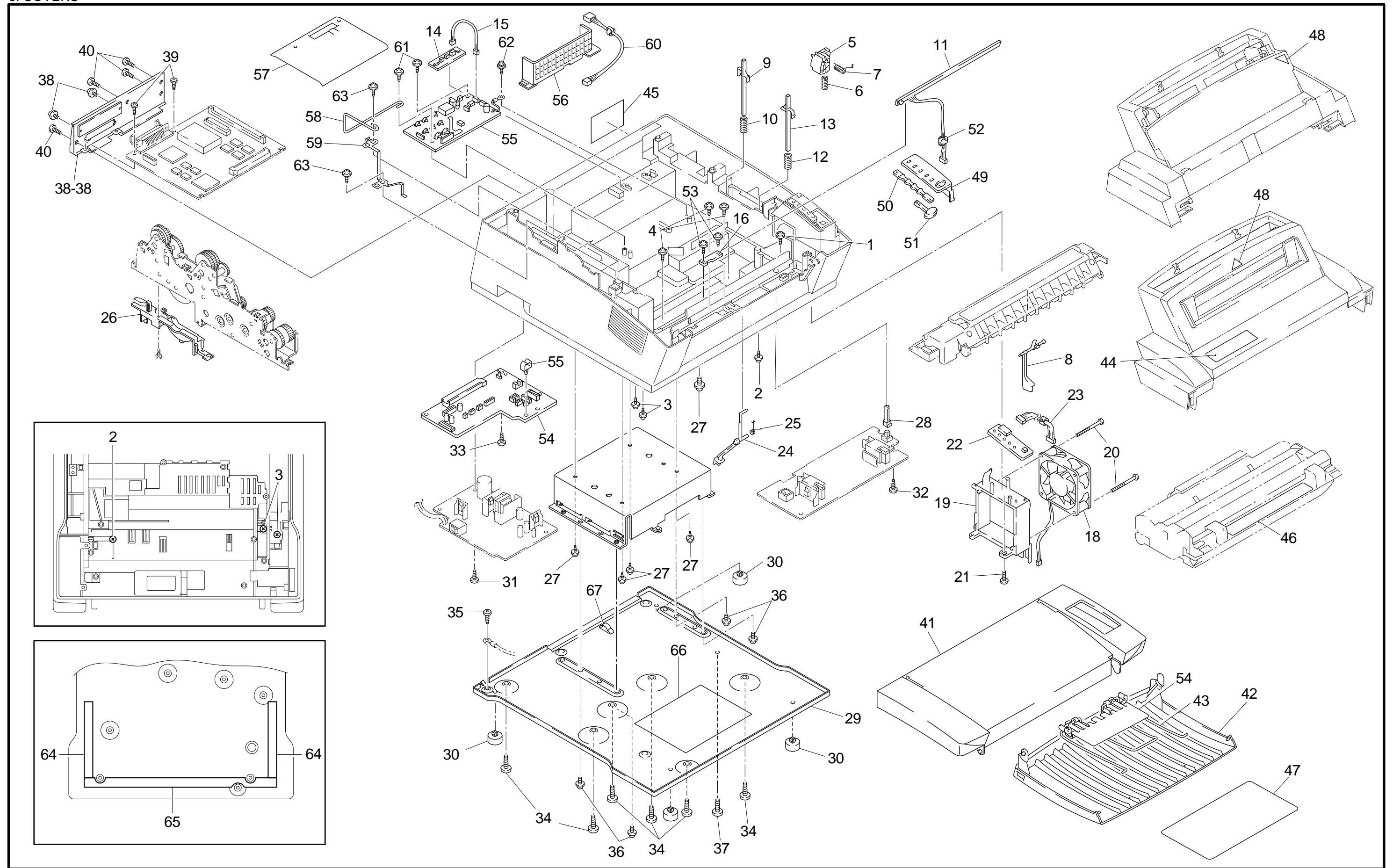
MODEL HL-1060 54U-S01-051

7. MAIN PCB

REF.NO	CODE	Q'TY	DESCRIPTION	SYMBOL	REMARK
1	UK3439001	1	MAIN PCB ASSY, PCL5 2M(SP)	B48K246-100	

MODEL HL-1060 54U-S01-101

6. COVERS



MODEL HL-1060 54U-S01-060

6. COVERS

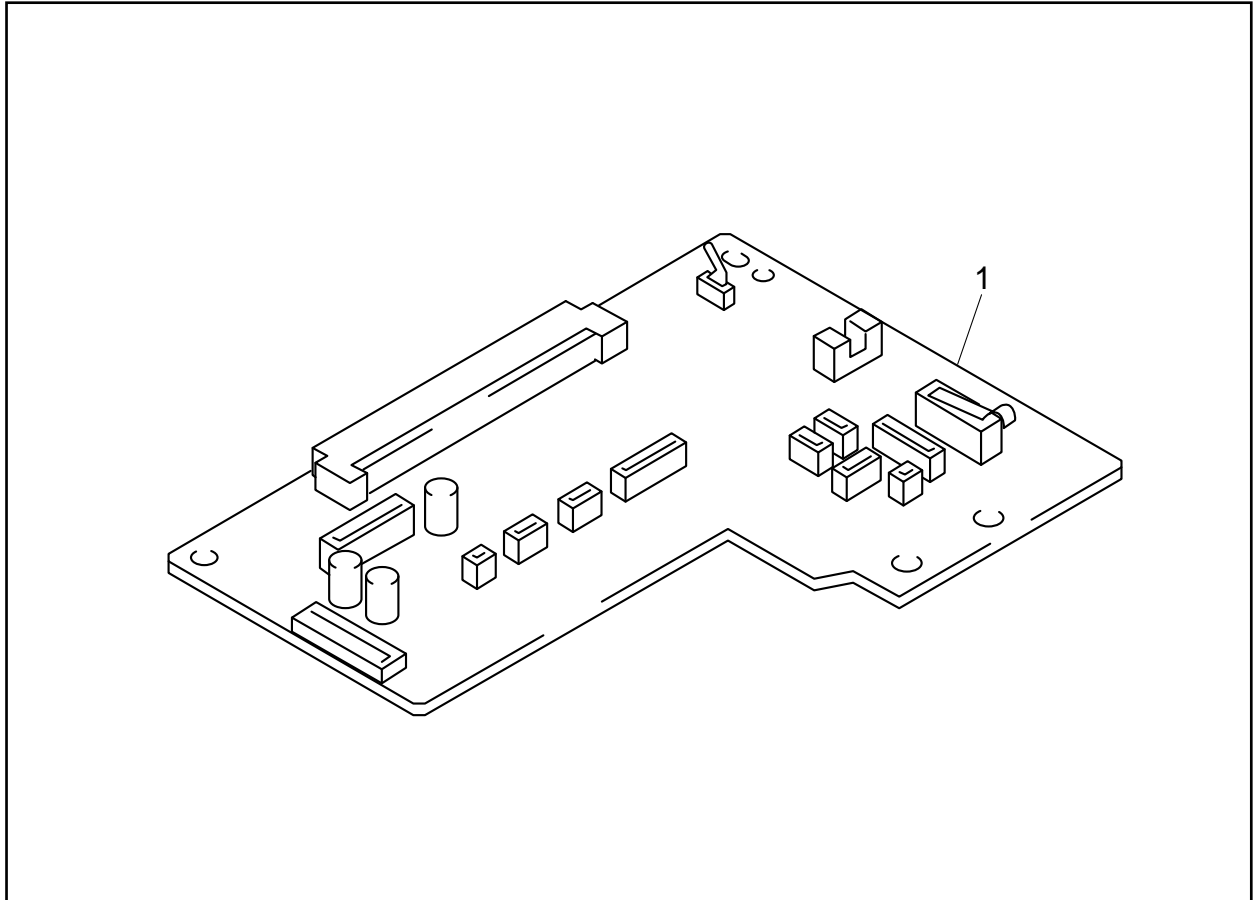
REF.NO	CODE	Q'TY	DESCRIPTION	SYMBOL	REMARK
1	087310815	1	TAPTITE, CUP B M3X8		
2	087310815	1	TAPTITE, CUP B M3X8		
3	087310815	2	TAPTITE, CUP B M3X8		
4	087310815	2	TAPTITE, CUP B M3X8		
5	UL6721000	1	LOCK LEVER		
6	UL6722001	1	SPRING, COMPRESSION		
7	UH3244001	1	SPRING, PR LOCK Y		
8	UH3207001	1	PAPER EJECT ACTUATOR, BLACK		
9	UH3208000	1	SENSOR LEVER		
10	UH3245001	1	SPRING,LEVER		
11	UK3432001	1	EL PCB UNIT Y	B48K228	
12	UH3245001	1	SPRING,LEVER		
13	UH3242001	1	INTERLOCK LEVER		
14	UK3632001	1	RELAY PCB ASSY	B48K282	
15	UK3621001	1	RELAY HARNESS ASSY		
16	UK3633001	1	TRANSFER PCB ASSY	B48K283	
18	UH3210001	1	FAN MOTOR 80		
19	UH3211000	1	FAN HOLDER		
20	083313515	2	TAPTITE, PAN B M3X35		
21	085411215	1	TAPTITE, BIND B M4X12		
22	UK3631001	1	CONTROL PANEL PCB ASSY	B48K281	
23	UK3586001	1	SW PANEL HARNESS ASSY		
24	UH3212001	1	REGIST SENSOR ACTUATOR, BODY BLACK		
25	UH3237001	1	REGIST SENSOR SPRING		
26	UH3213000	1	GEAR COVER		
27	087310815	4	TAPTITE, CUP B M3X8		
28	UH3215001	1	DENSITY DIAL Y, GRAY1252		
29	UH3216000	1	BASE PLATE		
30	UH2208001	4	RUBBER FOOT		
31	085411215	1	TAPTITE, BIND B M4X12		
32	085411215	1	TAPTITE, BIND B M4X12		
33	085411215	1	TAPTITE, BIND B M4X12		
34	085411215	5	TAPTITE, BIND B M4X12		
35	0A5350605	1	SCREW, PAN (S/P WASHER) M3.5X6		
36	087320616	4	TAPTITE, CUP S M3X6		
37	UF3043001	1	TAPTITE, PAN (WASHER) 3X6DB		
38-38	UH3217001	1	I/F SHIELD ASSY		
38	002300616	2	SCREW, PAN M3X6		
39	087320616	2	TAPTITE, CUP S M3X6		
40	002400616	4	SCREW, PAN M4X6		
41	UH3219001	1	TOP COVER		
42	UH3313001	1	OUTPUT TRAY ASSY (SP)		
43	UH3401001	1	EXTENSION SUPPORT WIRE LTR		
43	UH3250001	1	EXTENSION SUPPORT WIRE A4		
44	UH3221001	1	MODEL PLATE, HL-1060		
44	UH3239001	1	MODEL PLATE, HL-1060 EUR		
45	UH0905001	1	PATENT LABEL, US/CSA		
46	UL6741001	1	CAUTION LABEL, TONER		
47	UH3224001	1	MYLAR LABEL, HL-1060 US		
47	UH3243001	1	MYLAR LABEL, HL-1060 CAN		
48	UH3225001	2	PAPER SETTING LABEL Y		
49	UH3227001	1	PANEL COVER, GRAY1227		
50	UH3228000	1	PANEL RIGHT GUIDE Y		
51	UH3229001	1	SWITCH KEY		
52	UG3005000	1	FERRITE CORE:16X8X10		
53	087311216	2	TAPTITE, CUP B M3X12		
54	UH3249001	1	PAPER STOPPER LTR		
54	UH3248001	1	PAPER STOPPER A4		
55	UK3608001	1	SR PS ASSY (SP)		

MODEL HL-1060 54U-S01-060

REF.NO	CODE	Q'TY	DESCRIPTION	SYMBOL	REMARK
56	UH3370001	1	HIGH-VALTAGE COVER		
57	UH3371001	1	SR PROTECT SHEET		
58	UH3368001	1	ELECTRODE SR1		
59	UH3369001	1	ELECTRODE SR2		
60	UK3624001	1	SR HARNESS ASSY		
61	087411415	2	TAPTITE, CUP B M4X14		
62	OA5350605	1	SCREW, PAN (S/P WASHER) M3.5X6		
63	087310815	1	TAPTITE, CUP B M3X8		
64	UH3405001	2	SOUNDPROOF SPONGE A		
65	UH3406001	1	SOUNDPROOF SPONGE B		
66	UH3412001	1	DAMPING MATERIAL		
67	UH3372000	1	SHIELD FINGER		

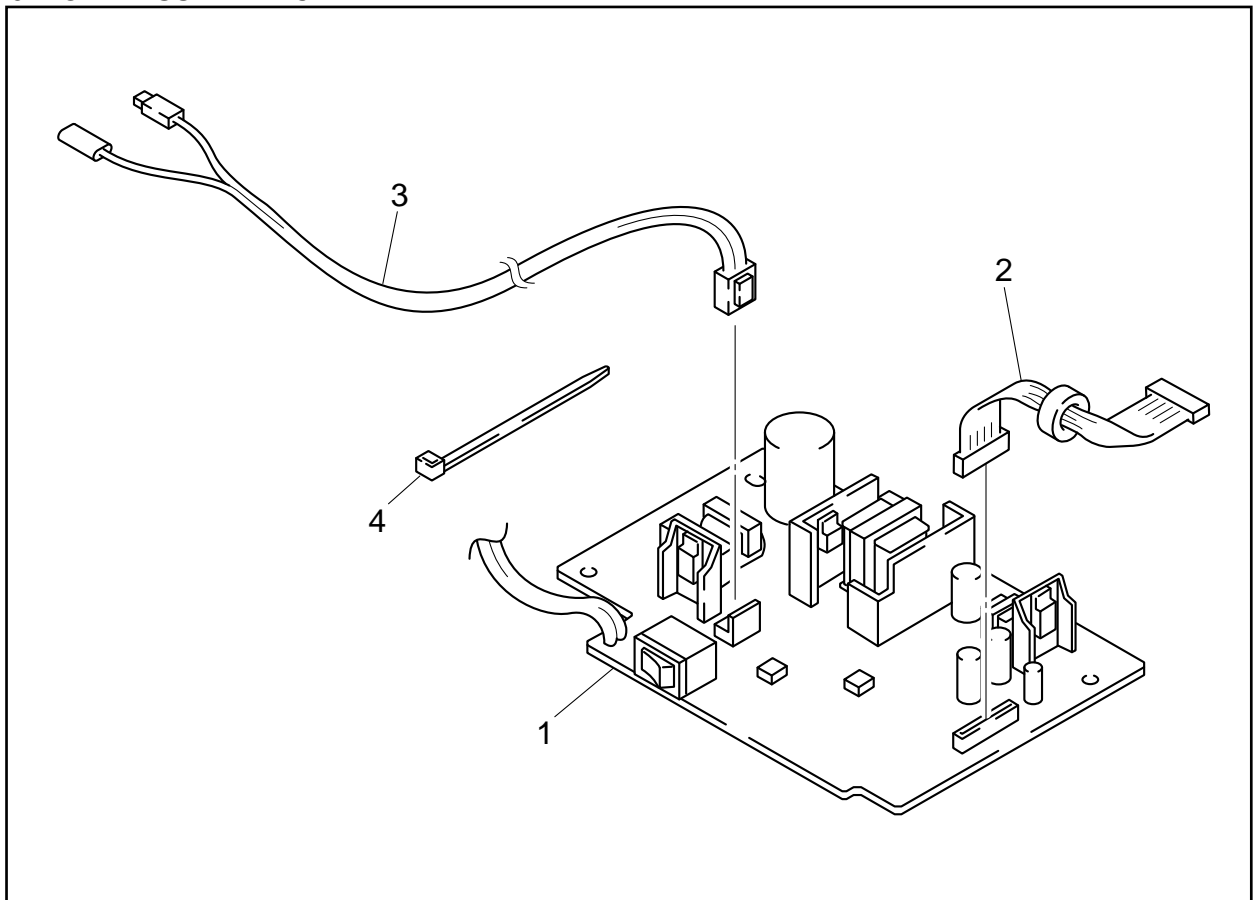
MODEL HL-1060 54U-S01-060

### 8. DRIVER PCB



MODEL HL-1060 54U-S01-151

### 9. POWER SUPPLY PCB



MODEL HL-1060 54U-S01-210

8. DRIVER PCB

REF.NO	CODE	Q'TY	DESCRIPTION	SYMBOL	REMARK
1	UK3440001	1	DRIVER PCB ASSY (SP)	B48K280	

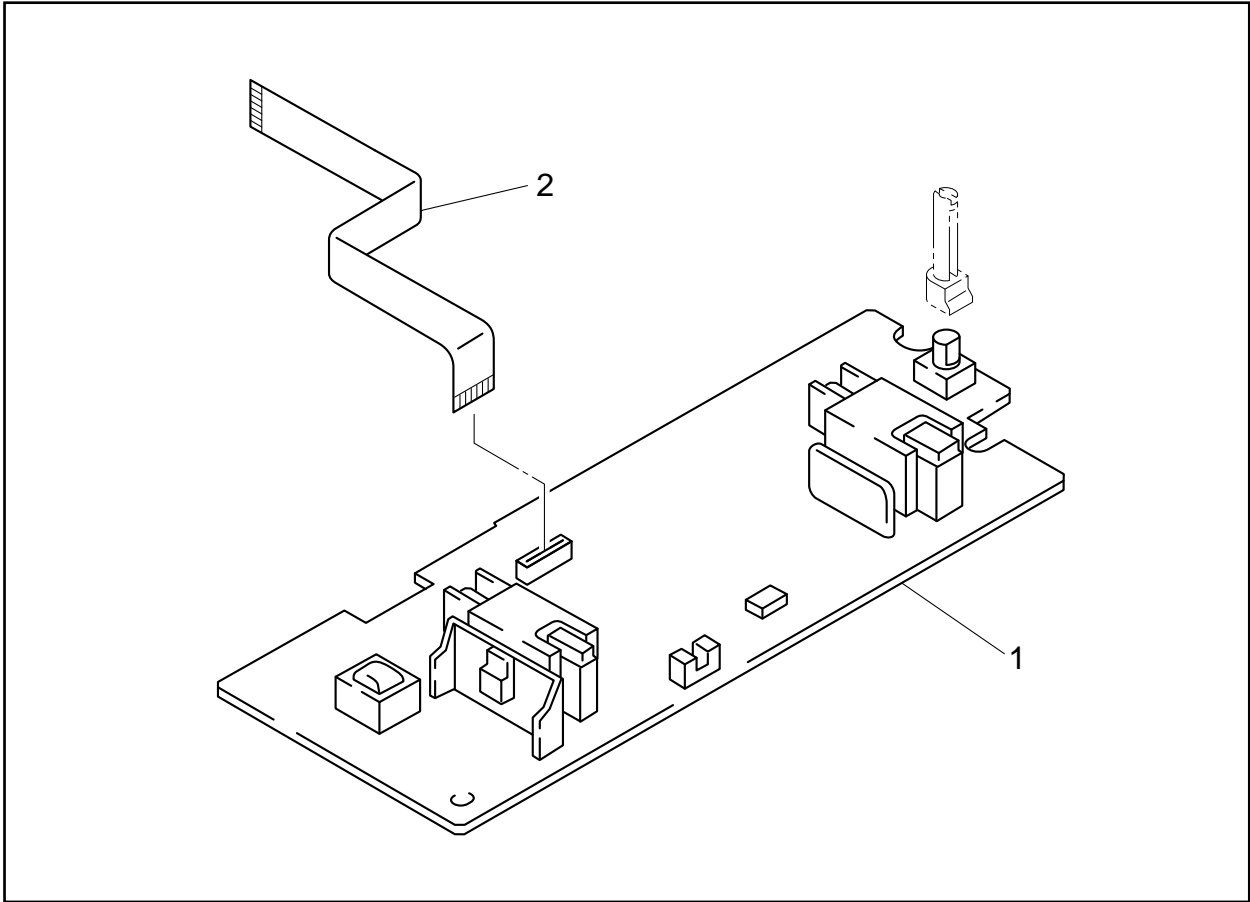
MODEL HL-1060 54U-S01-151

9. POWER SUPPLY PCB

REF.NO	CODE	Q'TY	DESCRIPTION	REMARK
1	UK3441001	1	LOW-VOLTAGE PS ASSY, 115V (SP)	
1	UK3442001	1	LOW-VOLTAGE PS ASSY, 230V (SP)	
2	UK3585001	1	LV HARNESS ASSY	
3	UK3461001	1	HEATER HARNESS ASSY	
4	J02101051	1	BINDER 2.3X79	

MODEL HL-1060 54U-S01-201

10. HIGH-VOLTAGE POWER SUPPLY



MODEL HL-1060 54U-S01-220

11. AC CORDS

11-	
1A	1F
1B	1G
1C	1H
1D	1I
1E	

MODEL HL-1060 54U-S01-230

10. HIGH VOLTAGE POWER SUPPLY

REF.NO	CODE	Q'TY	DESCRIPTION	SYMBOL	REMARK
1	UK3443001	1	HIGH-VOLTAGE PS ASSY (SP)		
2	UK3433001	1	HV FLAT CABLE 11		

MODEL HL-1060 54U-S01-220

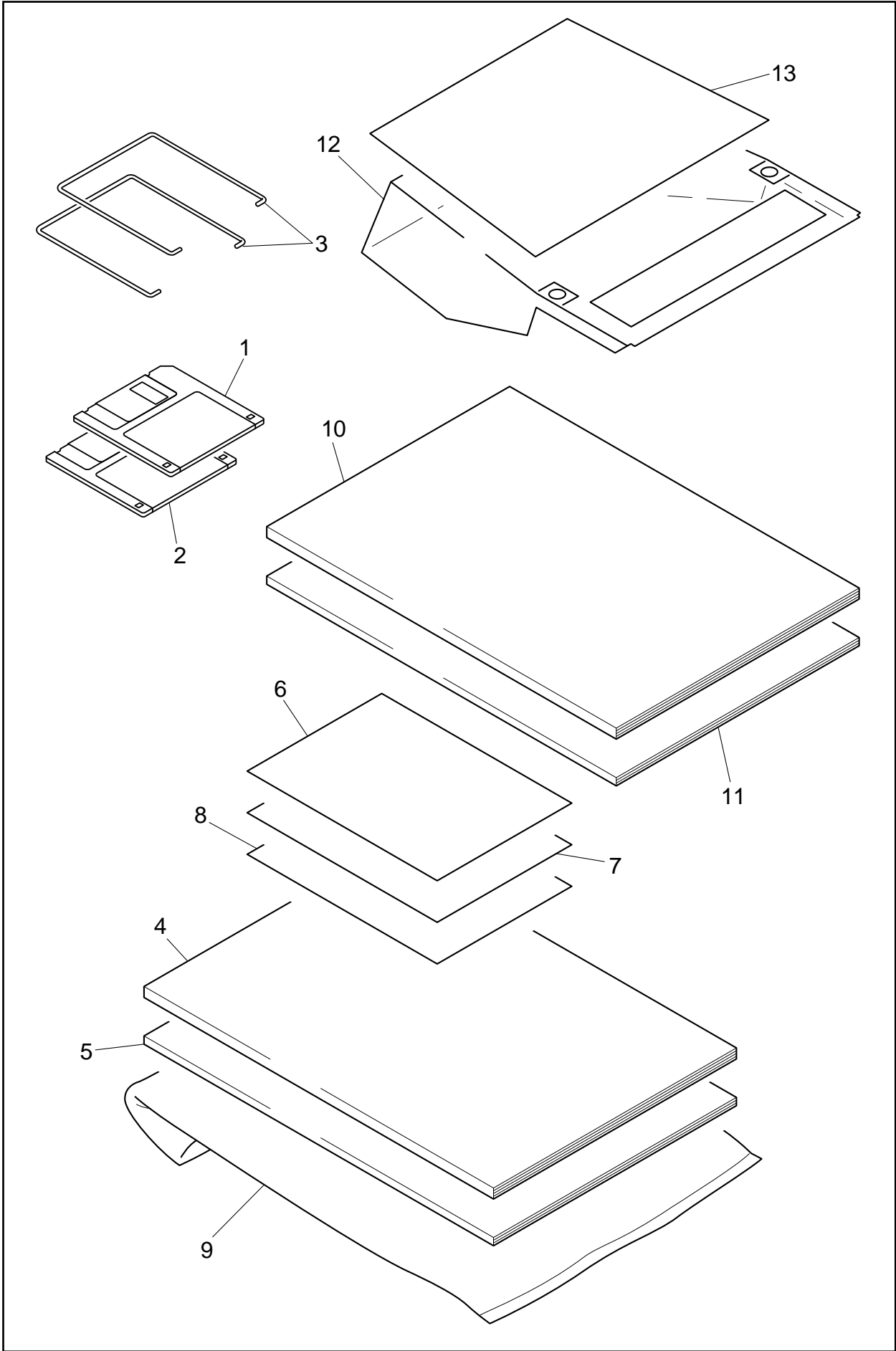
11. AC CORDS

REF.NO	CODE	Q'TY	DESCRIPTION	REMARK
1	UK3483001	1	AC CORD ASSY, US	
1	UK3485001	1	AC CORD ASSY, UK	
1	UK3487001	1	AC CORD ASSY, EUR	
1	UK3489001	1	AC CORD ASSY, SAA	
1	UK3491001	1	AC CORD ASSY, SEV	
1	UK3493001	1	AC CORD ASSY, DEMKO	
1	UK3495001	1	AC CORD ASSY, HEB	
1	UK3496001	1	AC CORD ASSY, S.AF	
1	UK3498001	1	AC CORD ASSY, CHLI	
2	UH3298001	1	CORE/SPONGE LVPS ASSY	

MODEL HL-1060 54U-S01-230



12. ACCESSORIES



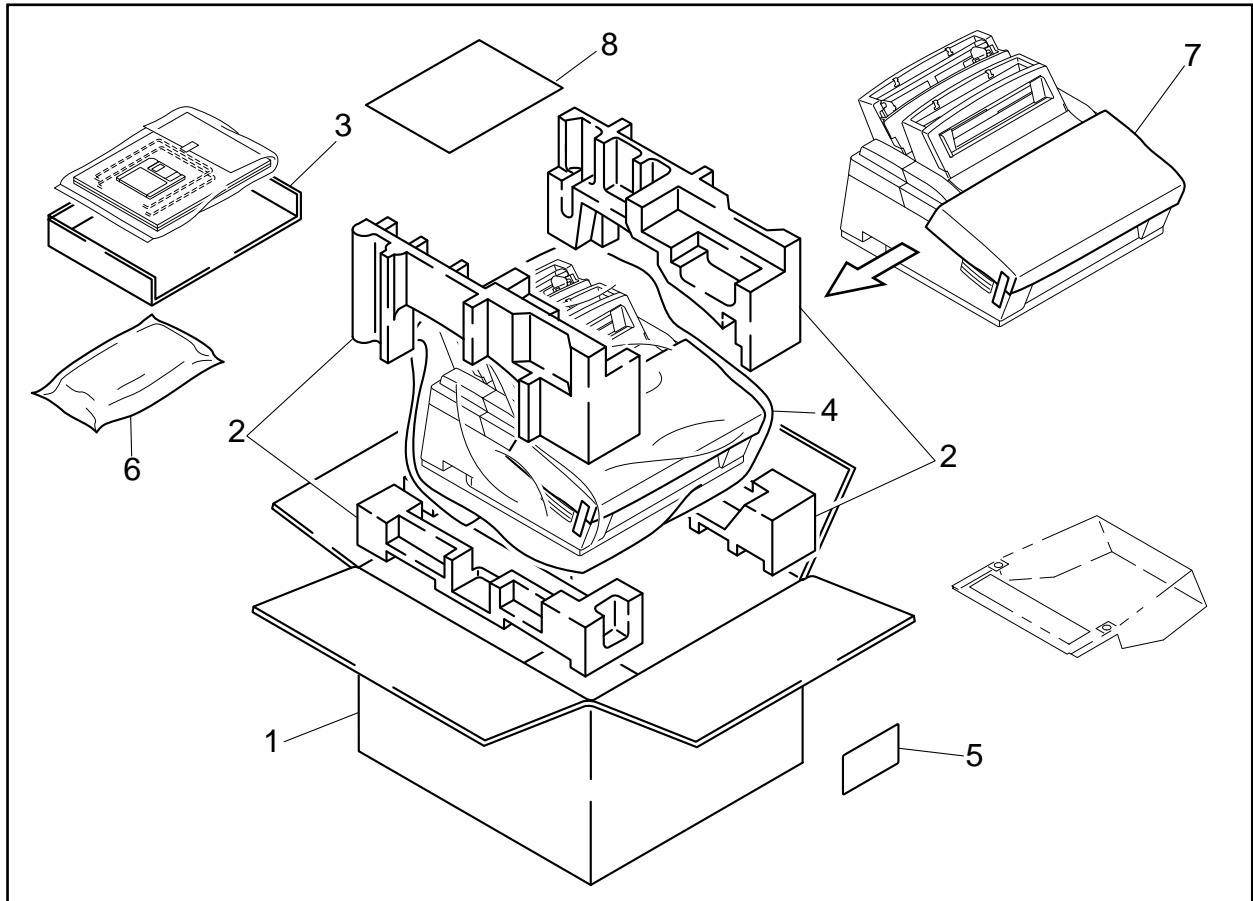
MODEL HL-1060 54U-S01-920

## 12. ACCESORRIES

REF.NO	CODE	Q'TY	DESCRIPTION	REMARK
1	UK3507001	1	PR DRIVER DISK ASSY 1, WINDOWS	
2	UK3509001	1	PR DRIVER DISK ASSY 2, FONT&DOS	
3	UL6856000	2	PAPER SUPPORT	
4	UH3252001	1	USER'S MANUAL, US	
4	UH3255001	1	USER'S MANUAL, GER	
4	UH3276001	1	USER'S MANUAL, NOR	
4	UH3284001	1	USER'S MANUAL, DEN	
4	UH3287001	1	USER'S MANUAL, ITA	
4	UH3290001	1	USER'S MANUAL, SWE	
5	UH3253001	1	SET GUIDE, US	
5	UH3256001	1	SET GUIDE, GER	
5	UH3277001	1	SET GUIDE, NOR	
5	UH3285001	1	SET GUIDE, DEN	
5	UH3288001	1	SET GUIDE, ITA	
5	UH3291001	1	SET GUIDE, SWE	
6	UL6859001	1	WARRANTY CARD, USA	
6	UH2693001	1	WARRANTY CARD, CAN	
6	UD4086001	1	WARRANTY CARD, UK	
6	UL7581001	1	WARRANTY CARD, FRA2	
7	UL7426001	1	SC INSERTION SHEET, US	
8	UH3261001	1	ACCESSORY ORDER FORM (USA)	
8	UH3294001	1	ACCESSORY ORDER FORM (CANADA)	
9	UE2014001	1	BAG, 215X350H	
10	UH3265001	1	USER'S MANUAL, FRA	
10	UH3279001	1	USER'S MANUAL, NL	
11	UH3266001	1	SET GUIDE, FRA	
11	UH3280001	1	SET GUIDE, NL	
12	UH3257001	1	DUST COVER Y	
13	UH3260001	1	INSERTION DC	

MODEL HL-1060 54U-S01-920

### 13. PACKING MATERIALS



MODEL HL-1060 54U-S01-930

## 13. PACKING MATERIALS

REF.NO	CODE	Q'TY	DESCRIPTION	REMARK
1	UE0507001	1	CARTON, USA/CAN HL-1060	
1	UE0508001	1	CARTON, EUR HL-1060	
2	UE0529000	1	STYROFOAM PAD ASSY HL-Y	
3	UE0533000	1	CARTON, ACCESORRIES	
4	UE0534001	1	BAG, 800X1000 (BODY)	
5	UH3351001	1	BAR CODE LABEL, 52438 USA HL-1060	
5	UH3352001	1	BAR CODE LABEL, 52562 EUR HL-1060	
6	UE2125001	1	BAG, ZIPLOCK (DRUM UNIT)	
7	UE0596001	1	PE SHEET 220X450	
8	UH3259001	1	NO RETURN FORM (USA)	
8	UH3295001	1	NO RETURN FORM (CANADA)	

MODEL HL-1060 54U-S01-930