



Brother Laser Printer **PARTS REFERENCE LIST**

MODEL: HL-2700CN / DX-2700 / LT-27CL

Read this list thoroughly before maintenance work.

Keep this list in a convenient place for quick and easy reference at all times.

<NOTE FOR USING THIS PARTS REFERENCE LIST>

1. In the case of ordering parts, it needs mentioning the following items:

- (1) Code
- (2) Q'ty
- (3) Description

Note : No orders without Parts Code or Tool No. can be accepted.

< Example >

REF.NO.	(1) CODE	(2) Q'TY	(3) DESCRIPTION	REMARK

2. Design-changed parts :

If the parts are changed, any one of the following symbols is indicated in the REMARKS column.

CHG(chg) : The part is changed to a new part.

ADD(add) : The part is newly added.

DEL(del) : The part is deleted.

Symbol in capital letters indicates that the change is the latest one in the page.

3. The original of this list was made based on the information available in December, 2003.

4. Parts are subject to change in design without prior notice.

<CONTENTS>

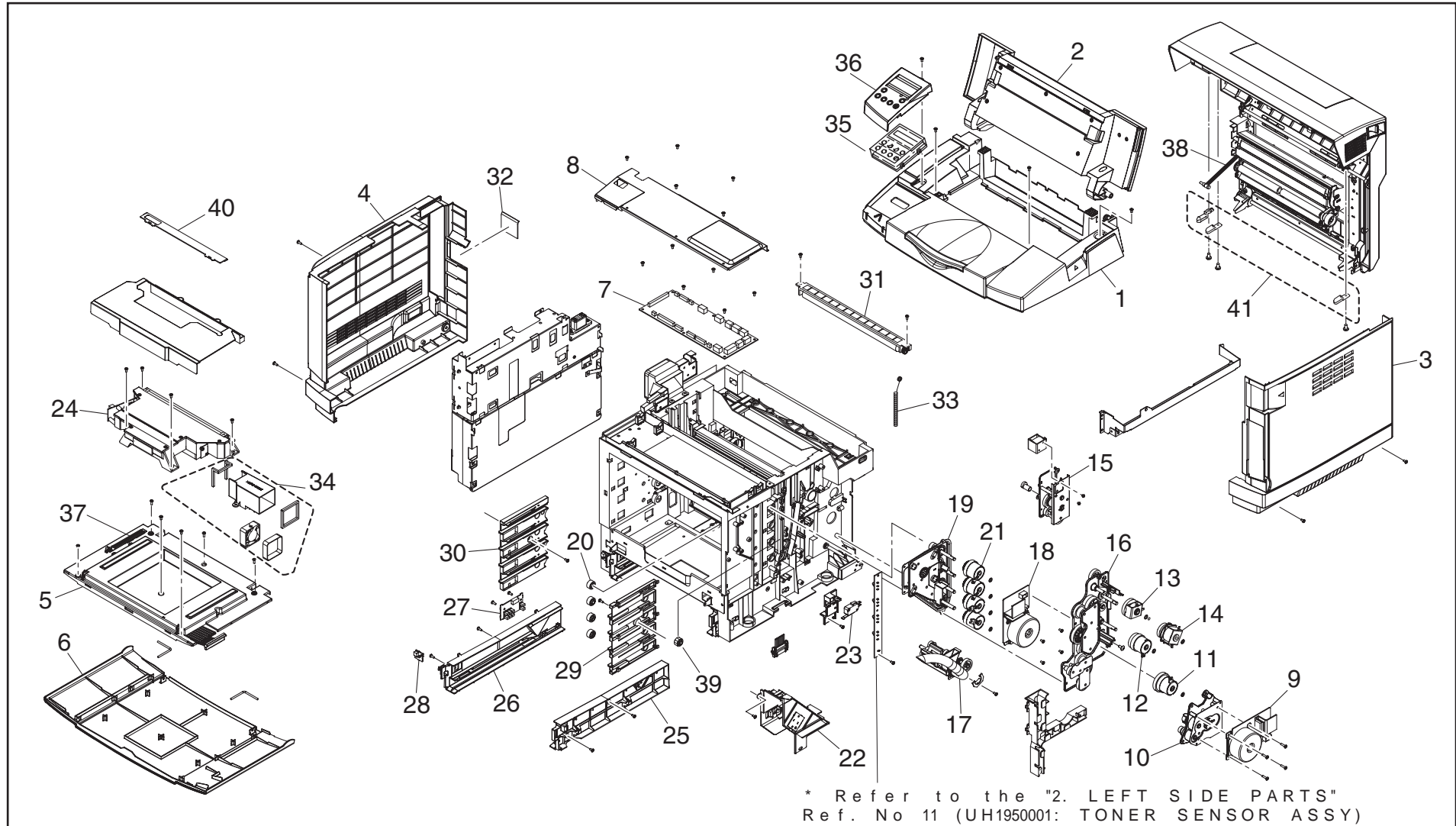
1.	TOP AND RIGHT SIDE PARTS.....	1
2.	LEFT SIDE PARTS.....	3
3.	REAR SIDE PARTS.....	5
4.	FUSER UNIT PARTS.....	7
5.	PAPER TRAY	9
6.	TRANSFER UNIT PU	11
7.	PAPER EXIT UNIT PARTS.....	13
8.	MAIN PCB.....	15
9.	ACCESSORIES & PACKING.....	17
10.	AC CORD	19
11.	PERIODICAL REPLACEMENT PARTS.....	21
12.	DUPLEX UNIT	23
13.	LOWER FEEDER	25

1. TOP AND RIGHT SIDE PARTS

REF.NO	CODE	Q'TY	DESCRIPTION	REMARK
1	LM0592001	1	TOP COVER ASSY PU	
2	LM0593001	1	TOP COVER PU	
3	LM0594001	1	RIGHT SIDE COVER PU	
4	LM0595001	1	LEFT SIDE COVER PU	
5	LM0596001	1	INNER FRONT COVER PU	
6	LM0597001	1	FRONT COVER PU	
7	LM0598001	1	I/O BOARD PU	
8	LM0599001	1	I/O BOARD COVER PU	
9	LM0600001	1	MAIN MOTOR PU	
10	LM0601001	1	OPC DRIVE GEAR ASSY PU	
11	LM0602001	1	PAPER FEED CLUTCH PU	
12	LM0603001	1	REGISTRATION CLUTCH PU	
13	LM0604001	1	FUSER CLUTCH PU	
14	LM0976001	1	TRANSFER ROLLER CLUTCH 2 PU	chg (PrPn050008)
15	LM0605001	1	CLEANING ROLLER CLUTCH PU	
16	LM0606001	1	MAIN DRIVE GEAR ASSY PU	
17	LM0607001	1	WASTE TONER FEEDER PU	
18	LM0608001	1	DEVELOPER MOTOR PU	
19	LM0609001	1	DEVELOPER DRIVE ASSY PU	
20	LM0610001	1	DEVELOPER GEAR PU	
21	LM0611001	4	DEVELOPER CLUTCH PU	
22	LM0612001	1	WASTE TONER HOLDER ASSY PU	
23	LM0613001	1	INTERLOCK SWITCH PU	
24	LM0614001	1	LASER ASSY PU	
25	LM0615001	1	RIGHT TRAY GUIDE PU	
26	LM0961001	1	LEFT TRAY GUIDE PU 2	chg (PrPn040059)
27	LM0617001	1	PAPER SIZE SENSOR PU	
28	LM0618001	1	ROOM TEMP THERMISTOR PU	
29	LM0619001	1	RIGHT TONER GUIDE PU	
30	LM0620001	1	LEFT TONER GUIDE PU	

REF.NO	CODE	Q'TY	DESCRIPTION	REMARK
31	LM0621001	1	WASTE TONER AUGER PU	
32	LM0622001	1	DUPLEX CONNECTOR COVER PU	
33	LM0623001	1	WASTE TONER AGITATOR PU	
34	LM0624001	1	LASER UNIT FAN ASSY PU	
35	LM0918001	1	OP PANEL (B)PU	
36	LM0919001	1	OP PANEL COVER (B)PU	
37	LM0942001	1	FRONT BAND PU	add
38	LM0943001	1	REAR BAND PU	add
39	LM0941001	1	DD5 DRIVE GEAR R28 PU	add
40	LM0975001	1	SCANNER GLASS COVER	add
41	LM0992001	1	REAR COVER LATCH SET	ADD

1. TOP AND RIGHT SIDE PARTS

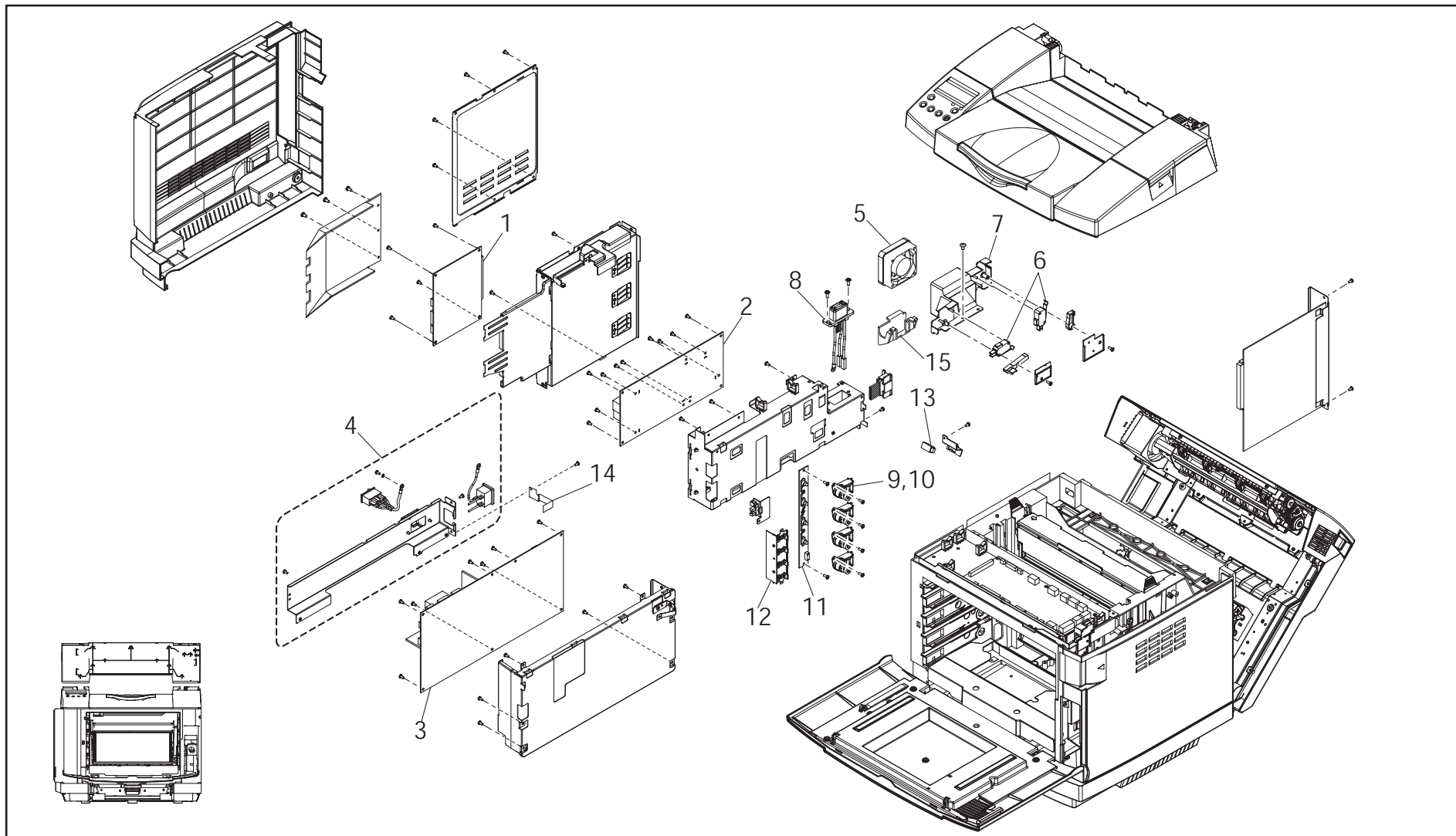


2. LEFT SIDE PARTS

REF.NO	CODE	Q'TY	DESCRIPTION	REMARK
1	LJ9798001	1	ENGINE CONTROLLER BOARD PU	chg (prpn040043)
2	LJ9521001	1	HV POWER SUPPLY PU	
3	LJ9522001	1	LV POWER SUPPLY (110V) PU	
3	LG6736001	1	LV POWER SUPPLY (220V) ROHS	CHG (PrPn050060)
4	LM0625001	1	POWER SUPPLY BRACKET (110V) PU	
4	LM0626001	1	POWER SUPPLY BRACKET (220V) PU	
5	LM0627001	1	POWER SUPPLY FAN PU	
6	LM0613001	2	INTERLOCK SWITCH PU	
7	LM0629001	1	POWER SUPPLY FAN DUCT PU	
8	LM0630001	1	FUSER CONNECTOR PU	
9	LM0631001	1	TONER RETRACT SOLENOID PU	
10	LM0632001	1	TONER RETRACT CAM PU	
11	UH1950001	1	TONER SENSOR ASSY *1	
12	LM0633001	1	TONER PRESENT SENSOR PU	
13	UH1949001	1	BELT SENSOR	
14	LM0928001	1	EARTH TERMINAL (L) PU	add (prpn040001)
15	LM0963001	4	SL5-PS DUCT	del (PrPn040064)
-				(PrPn040069)
			*1	
			This part is a combination of the right side and the left side part. Refer to the illustration page of "1. TOP AND RIGHT SIDE PARTS" as well.	

REF.NO.	CODE	Q'TY	DESCRIPTION	REMARK

2. LEFT SIDE PARTS



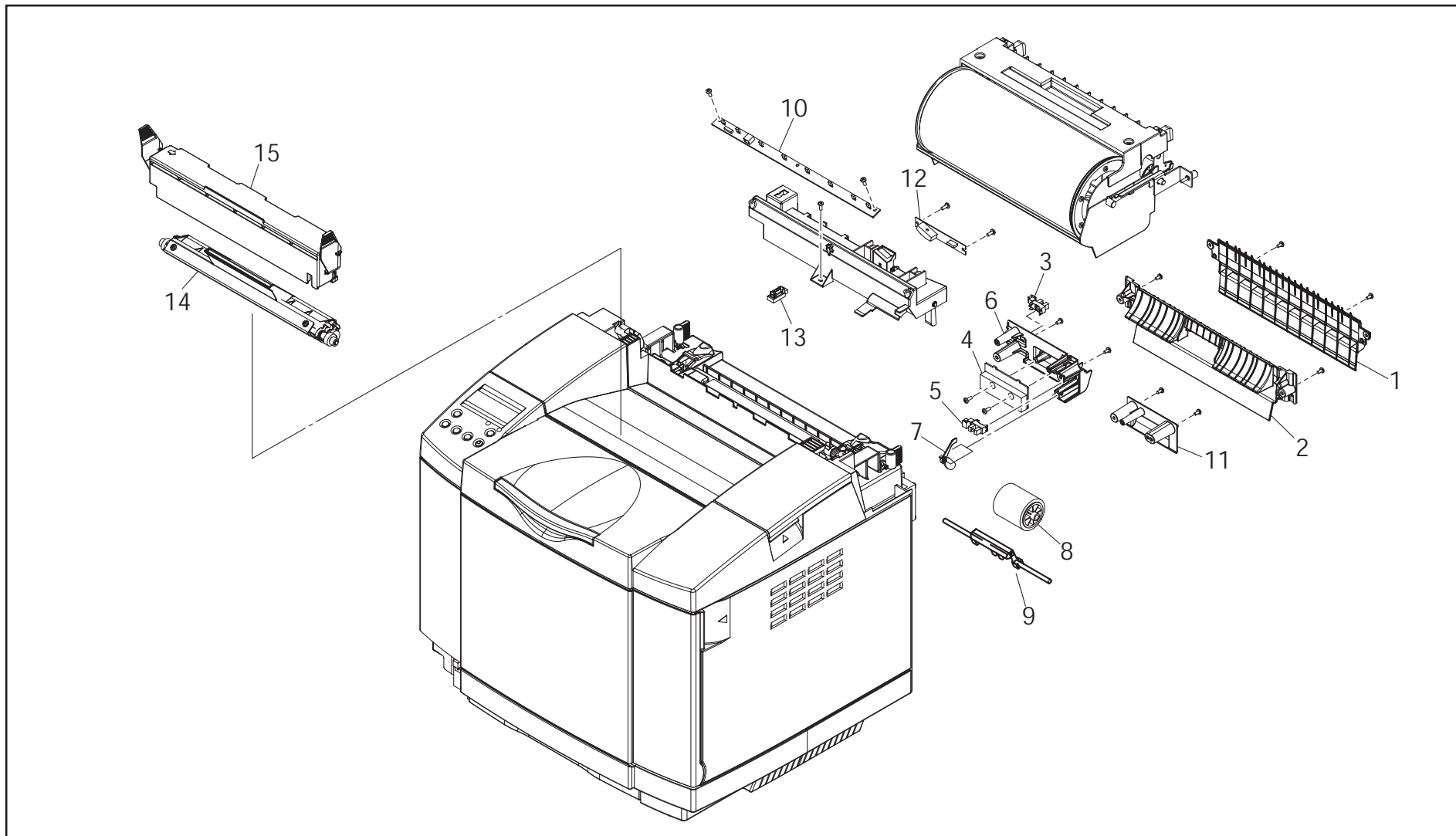
MODEL HL-2700CN 54S304 (4)

3. REAR SIDE PARTS

REF.NO	CODE	Q'TY	DESCRIPTION	REMARK
1	LM0634001	1	PAPER GUIDE (A) PU	
2	LM0635001	1	PAPER GUIDE (B) PU	
3	UH1948001	1	PAPER SENSOR	
4	LJ2243001	1	OHP SENSOR	
5	UH1948001	1	PAPER SENSOR	
6	LM0637001	1	PAPER GUIDE (C) PU	
7	LM0638001	1	TRAY EMPTY ACTUATOR PU	
8	UH3485001	1	PAPER FEED ROLLER	
9	LM0965001	1	SEPARATOR PAD 5 PU	CHG (PrPn040067)
10	LM0639001	1	ERASE LAMP PU	
11	LM0640001	1	PAPER GUIDE (D) PU	
12	LM0641001	1	TONER DENSITY SENSOR PU	
13	UH1949001	1	MARKER SENSOR	
14	LM0590001	1	CLEANING ROLLER PU	
15	LM0591001	1	CLEANING ROLLER COVER PU	

REF.NO.	CODE	Q'TY	DESCRIPTION	REMARK

3. REAR SIDE PARTS



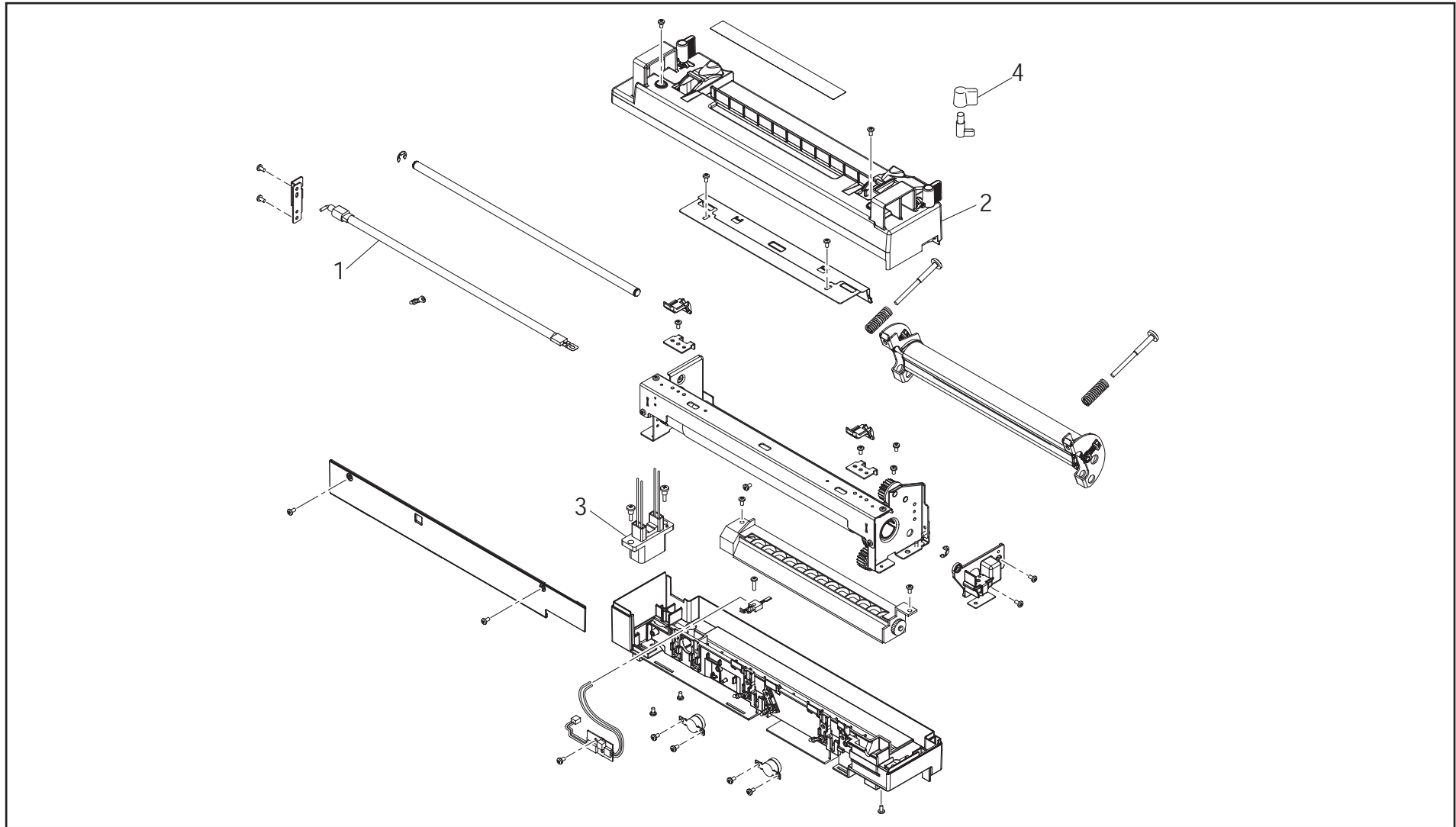
MODEL HL-2700CN 54S304 (6)

4. FUSER UNIT PARTS

REF.NO	CODE	Q'TY	DESCRIPTION	REMARK
1	LM0643001	1	FUSER LAMP (110V) FU	
1	LM0644001	1	FUSER LAMP (220V) FU	
2	LM0645001	1	TOP FUSER COVER FU	
3	LM0649001	1	FUSER CONNECTOR FU	
4	LM0653001	1	LOCK KNOB KIT FU	

REF.NO.	CODE	Q'TY	DESCRIPTION	REMARK

4. FUSER UNIT PARTS



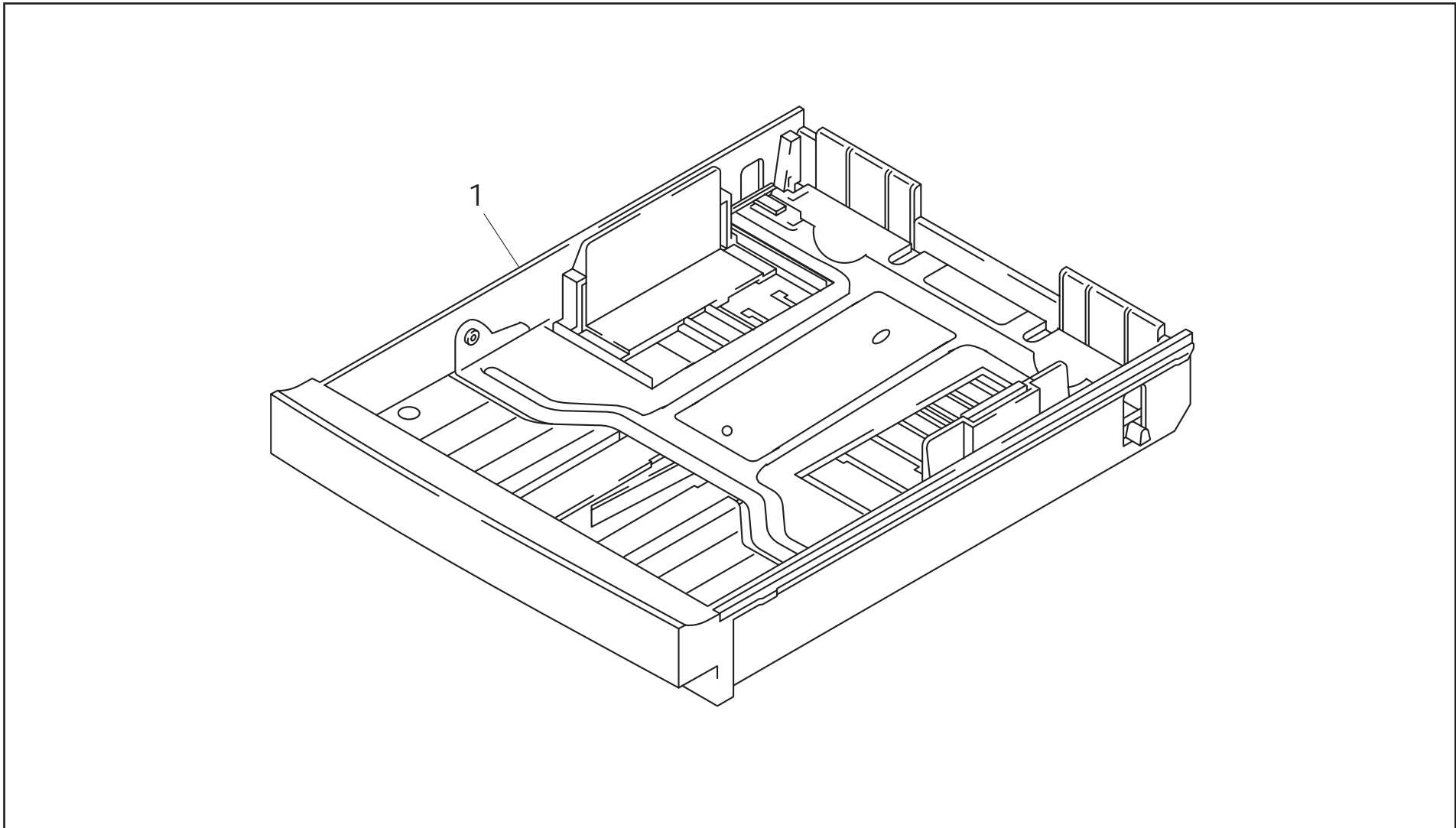
MODEL HL-2700CN 54S304 (8)

5. PAPER TRAY

REF.NO	CODE	Q'TY	DESCRIPTION	REMARK
1	LM0893001	1	PAPER CASSETTE (A4) PU	

REF.NO.	CODE	Q'TY	DESCRIPTION	REMARK
---------	------	------	-------------	--------

5. PAPER TRAY



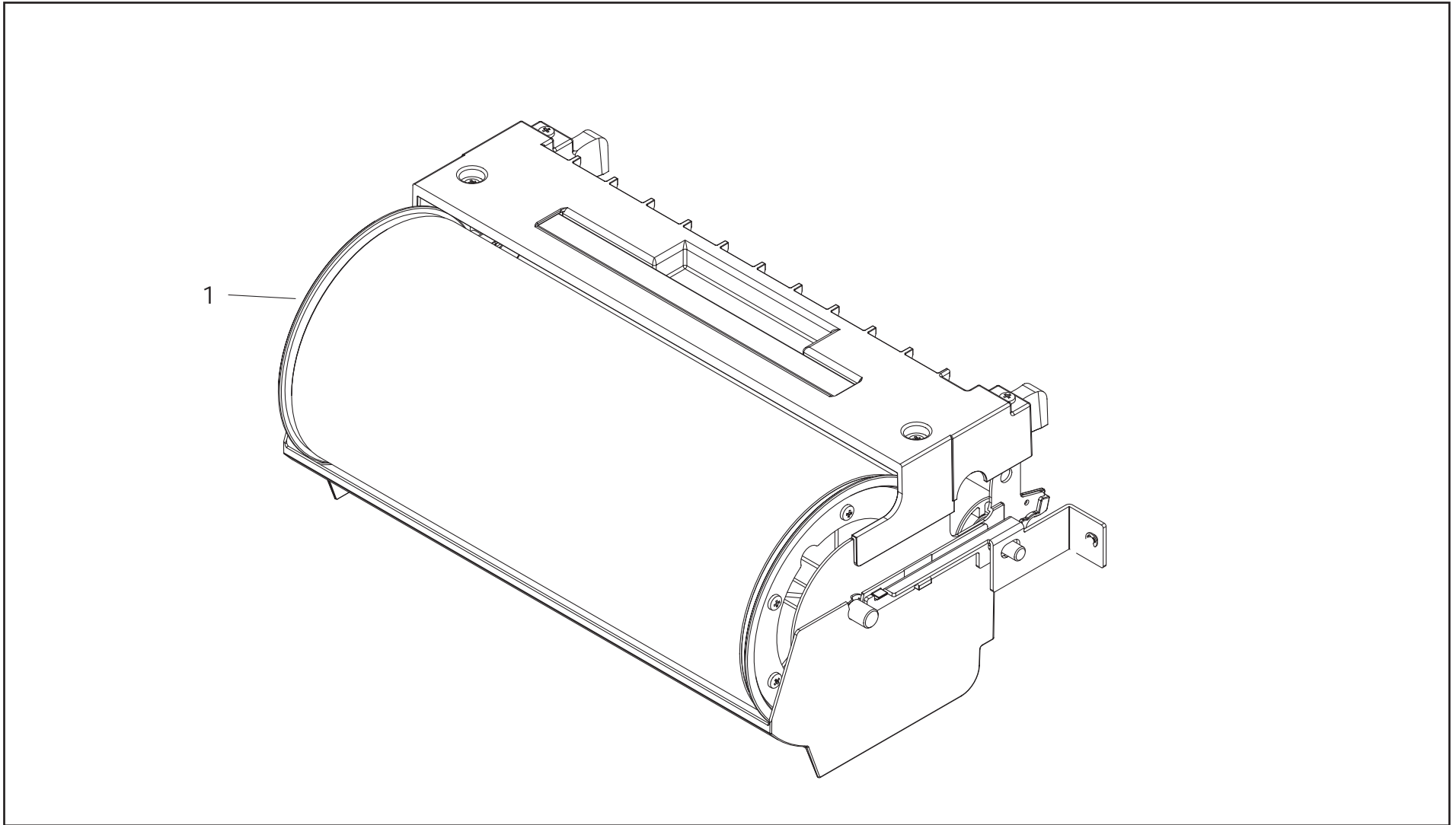
MODEL HL-2700CN 54S304 (10)

6. TRANSFER UNIT PARTS

REF.NO	CODE	Q'TY	DESCRIPTION	REMARK
1	LM0894001	1	TRANSFER UNIT PU	

REF.NO.	CODE	Q'TY	DESCRIPTION	REMARK

6. TRANSFER UNIT PARTS



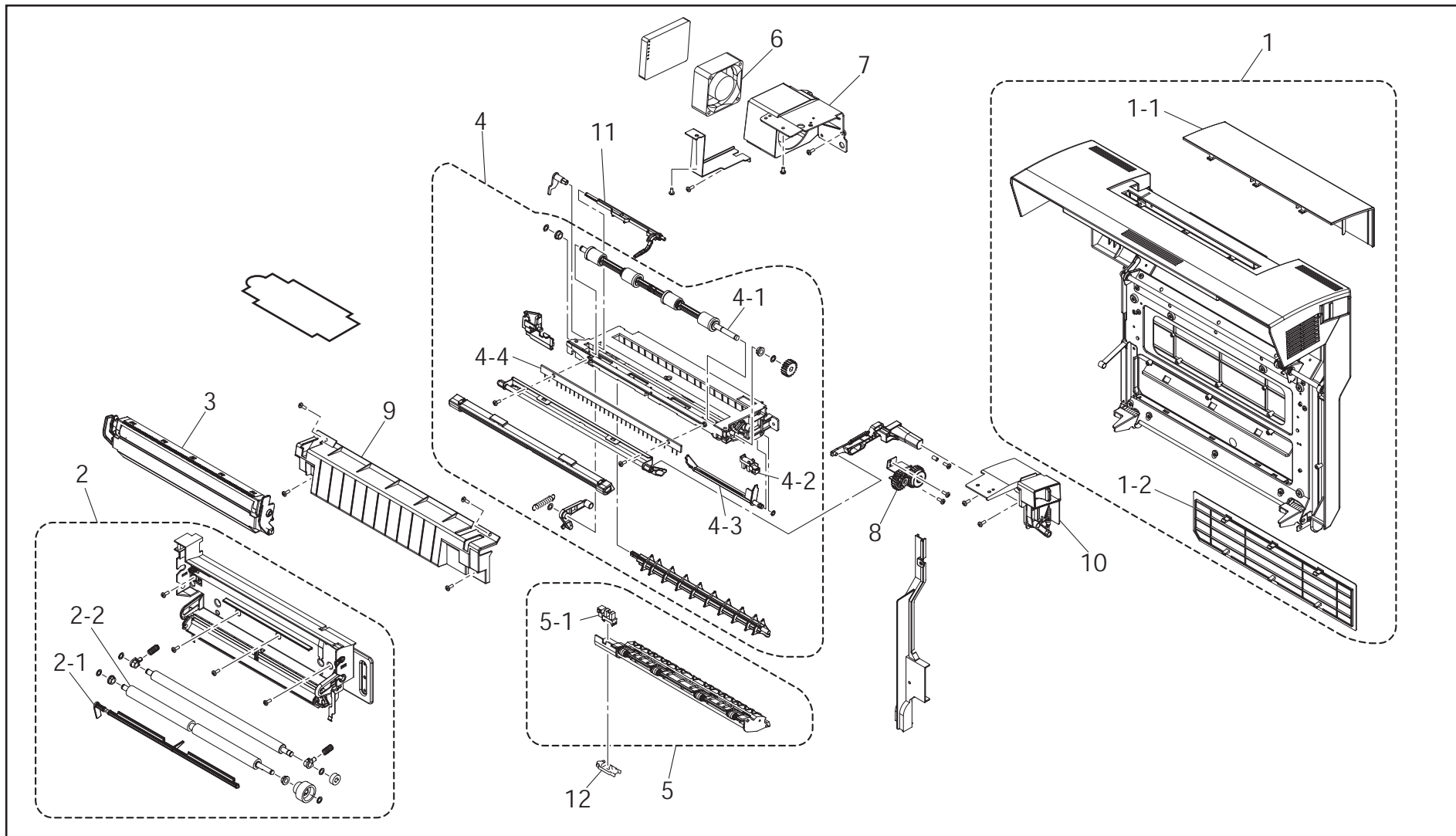
MODEL HL-2700CN 54S304 (12)

7. PAPER EXIT UNIT PARTS

REF.NO	CODE	Q'TY	DESCRIPTION	REMARK
1	LM0654001	1	REAR COVER ASSY PU	
1-1	LM0655001	1	UPPER DUPLEX COVER PU	
1-2	LM0656001	1	LOWER DUPLEX COVER PU	
2	LM0657001	1	TRANSFER BASE ASSY PU	
2-1	LM0658001	1	REGISTRATION ACTUATOR PU	
2-2	LM0659001	1	REGISTRATION ROLLER ASSY PU	
3	LM0660001	1	TRANSFER ROLLER ASSY PU	
4	LM0661001	1	EXIT GUIDE ASSY PU	
4-1	LM0662001	1	EXIT ROLLER ASSY PU	
4-2	UH1948001	1	PAPER SENSOR	
4-3	LM0664001	1	FUSER EXIT ACTUATOR PU	
4-4	UH3463001	1	DISCHARGE BRUSH	
5	LM0665001	1	EXIT IDLE ROLLER ASSY PU	
5-1	UH1948001	1	PAPER SENSOR	
6	LM0667001	1	EXIT FAN PU	
7	LM0668001	1	EXIT FAN DUCT PU	
8	LM0669001	1	EXIT DRIVE ASSY PU	
9	LM0670001	1	TRANSFER ROLLER GUIDE PU	
10	LM0671001	1	REAR COVER LATCH ASSY PU	
11	LM0672001	1	PAPER EXIT ACTUATOR PU	
12	LM0962001	1	PP5 SENSOR HOLDER 2	ADD (PrPn040060)

REF.NO.	CODE	Q'TY	DESCRIPTION	REMARK

7. PAPER EXIT UNIT PARTS



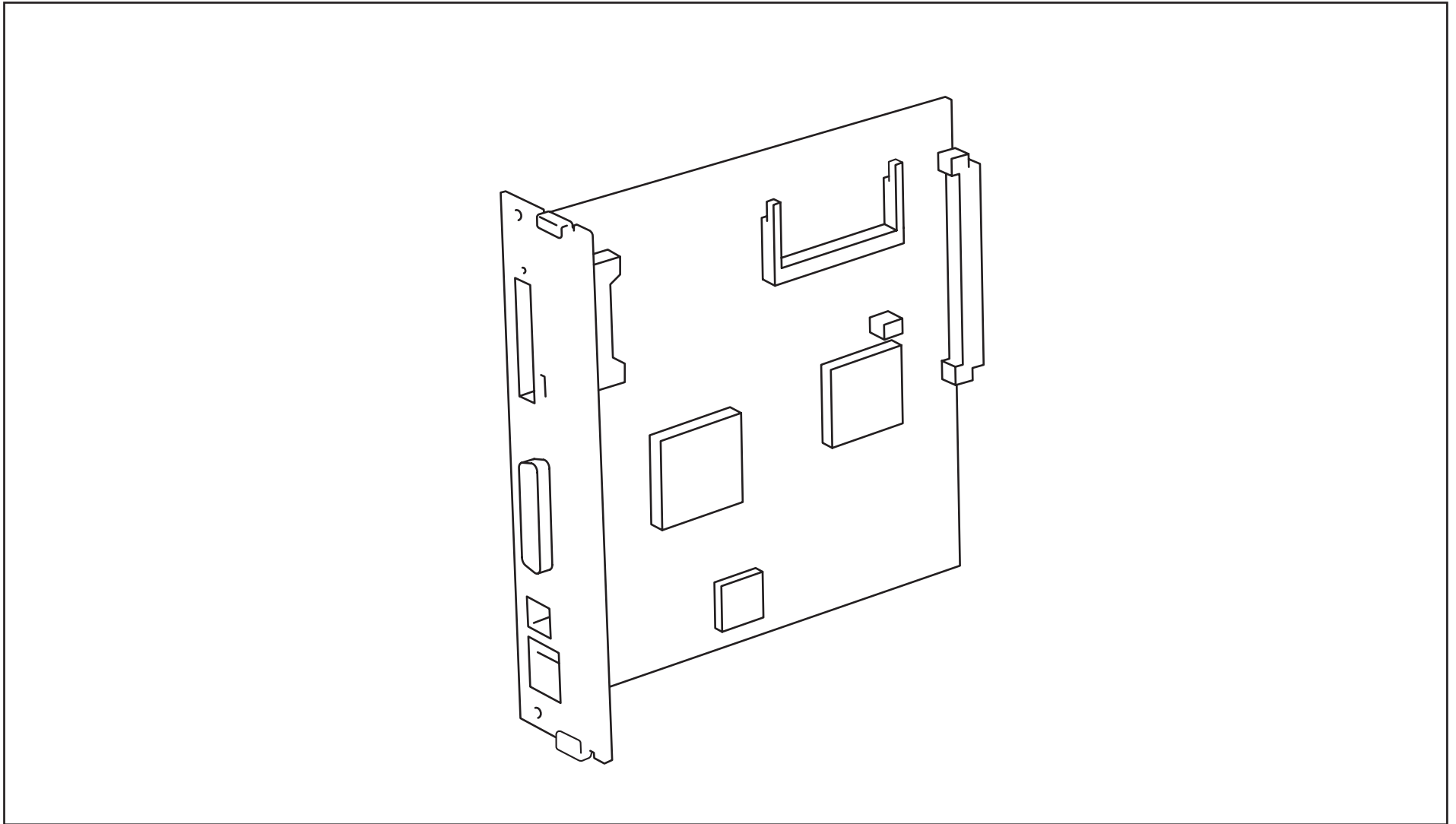
MODEL HL-2700CN 54S304 (14)

8. MAIN PCB

REF.NO	CODE	Q'TY	DESCRIPTION	REMARK
1	LJ9472001	1	MAIN PCB UNIT, HL2700CN	

REF.NO.	CODE	Q'TY	DESCRIPTION	REMARK
---------	------	------	-------------	--------

8. MAIN PCB

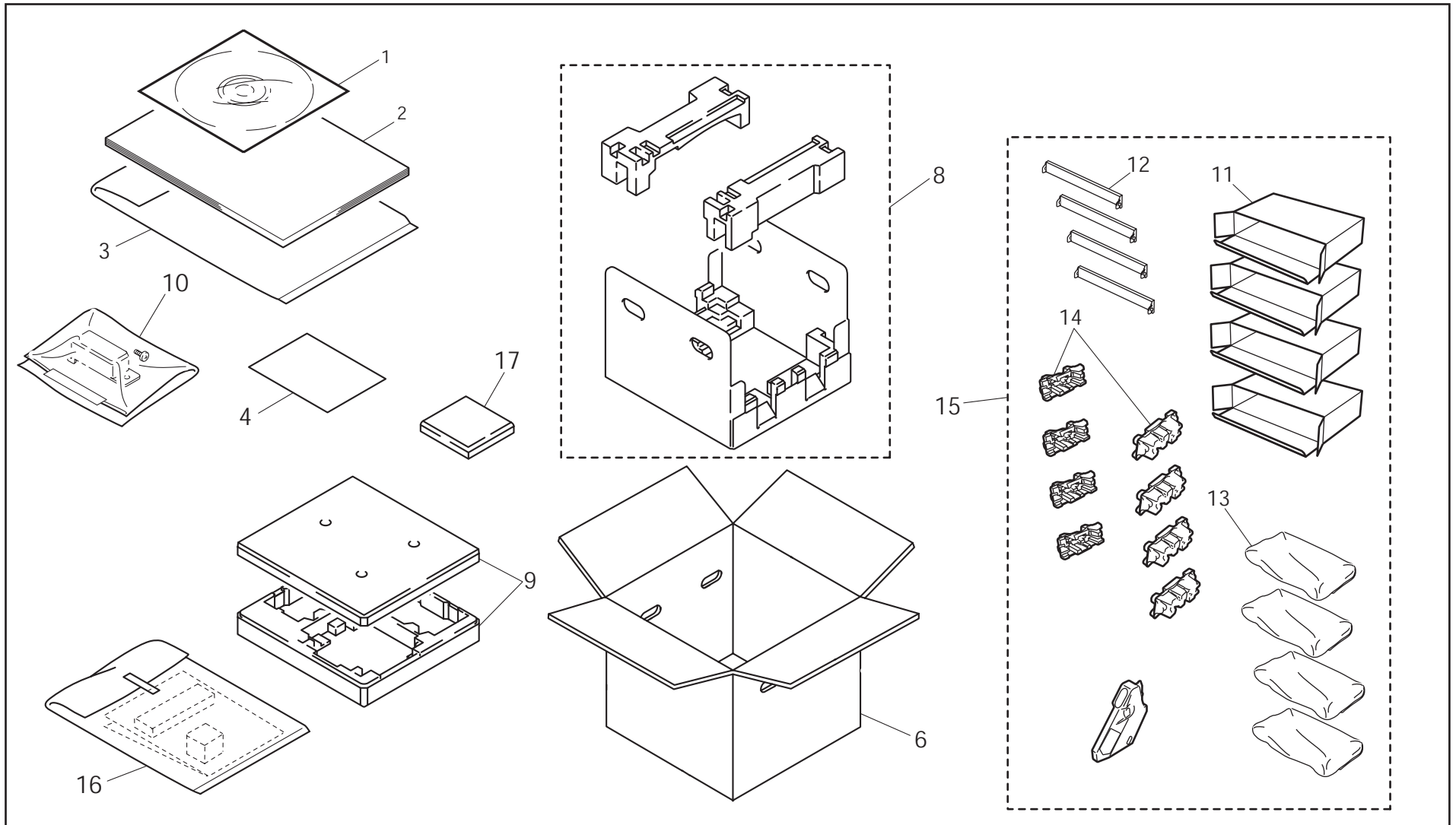


MODEL HL-2700CN 54S304 (16)

9. ACCESSORIES & PACKING

REF.NO	CODE	Q'TY	DESCRIPTION	REMARK	REF.NO.	CODE	Q'TY	DESCRIPTION	REMARK
1	LM0937001	1	CD ASSY, HL-2700	chg (PrPn040033)	17	LM0955001	1	FRONT CUSHION 5	ADD (PrPn040050)
2	LM0511001	1	SET GUIDE HL-2700 GER						
2	LM0478001	1	SET GUIDE HL-2700 ENG						
2	LM0479001	1	SET GUIDE HL-2700 FRE						
2	LM0512001	1	SET GUIDE HL-2700 NL						
2	LM0513001	1	SET GUIDE HL-2700 DEN						
2	LM0514001	1	SET GUIDE HL-2700 SPA/POR						
2	LM0515001	1	SET GUIDE HL-2700 ITA						
2	LM0516001	1	SET GUIDE HL-2700 NOR/SWE						
3	LE5794001	1	BAG, 240x350H P						
4	LM0879001	1	READ ME FIRST SHEET						
5	LL0488001	4	JOINT	DEL (PrPn040050)					
6	LM0951001	1	CARTON, HL-2700CN	CHG (PrPn040050)					
6	LM0952001	1	CARTON, HL-2700CN OSS	CHG (PrPn040050)					
7	LM0897001	4	UPPER CUSHION U 5(B)	DEL (PrPn040050)					
8	LM0953001	1	BASE/U CUSHION 5(B-2)	CHG (PrPn040050)					
9	LM0954001	1	STARTER CUSHION 5(B-2)	CHG (PrPn040050)					
10	LM3470001	1	COMPACT FLASH GUARD ASSY						
11	LM0920001	1	TO5 SINGLE BOX						
12	LM0921001	1	DE5 SHIPPING COVER						
13	LM0922001	1	TO5 POLYETHYLENE BAG						
14	LM0923001	1	TO5 PM CUSHION						
15	LM0924001	1	TO5 SINGLE BOX KIT						
16	LM0930001	1	REPACKING GUIDE ASSY	add (PrPn040007)					

9. ACCESSORIES & PACKING



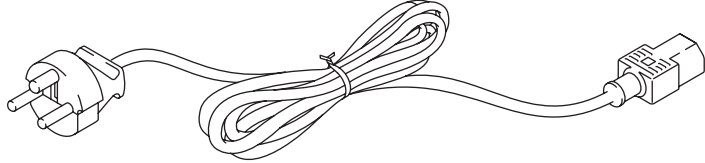
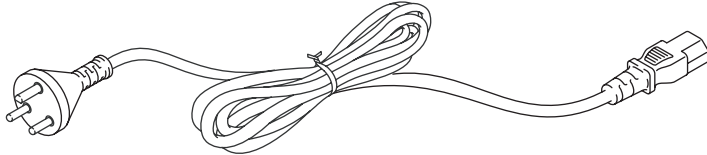
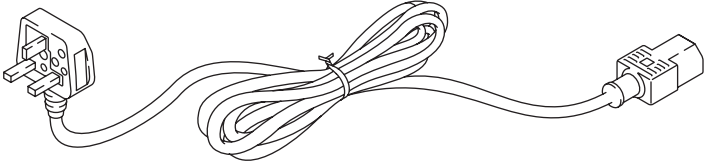
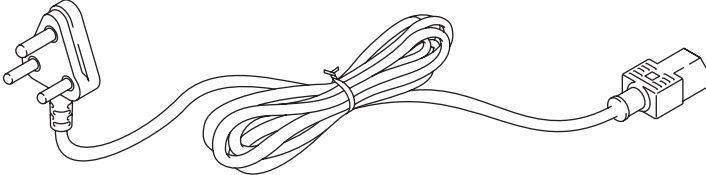
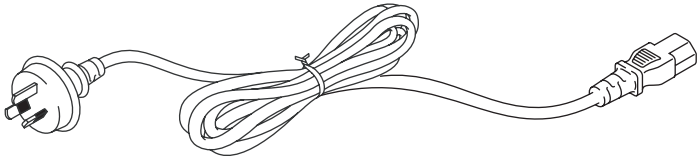
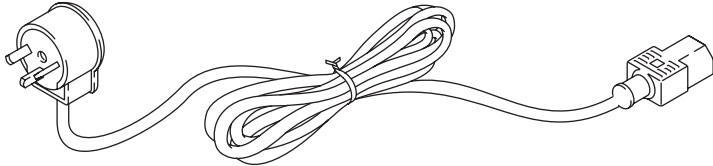
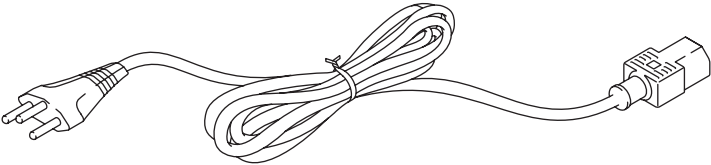
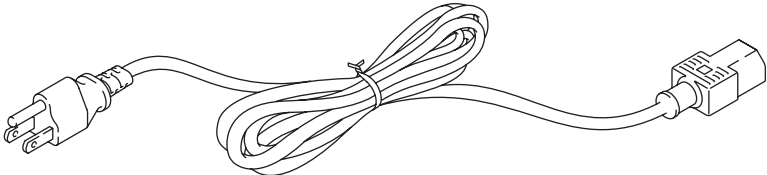
MODEL HL-2700CN 54S304 (18)

10. AC CORD

REF.NO	CODE	Q'TY	DESCRIPTION	REMARK
1	LJ9103001	1	AC CORD ASSY LF, VDE	
2	LJ9257001	1	AC CORD ASSY LF, BS	
3	LJ9255001	1	AC CORD ASSY LF, SAA	
4	LJ9254001	1	AC CORD ASSY LF, SEV	
5	LJ9256001	1	AC CORD ASSY LF, DEMKO	
6	LJ9295001	1	AC CORD ASSY LF, SOUTH AFRICA	
7	LJ9298001	1	AC CORD ASSY LF, ISRAEL	
8	LJ9519001	1	AC CORD, UL/CSA	

REF.NO.	CODE	Q'TY	DESCRIPTION	REMARK

10. AC CORDS

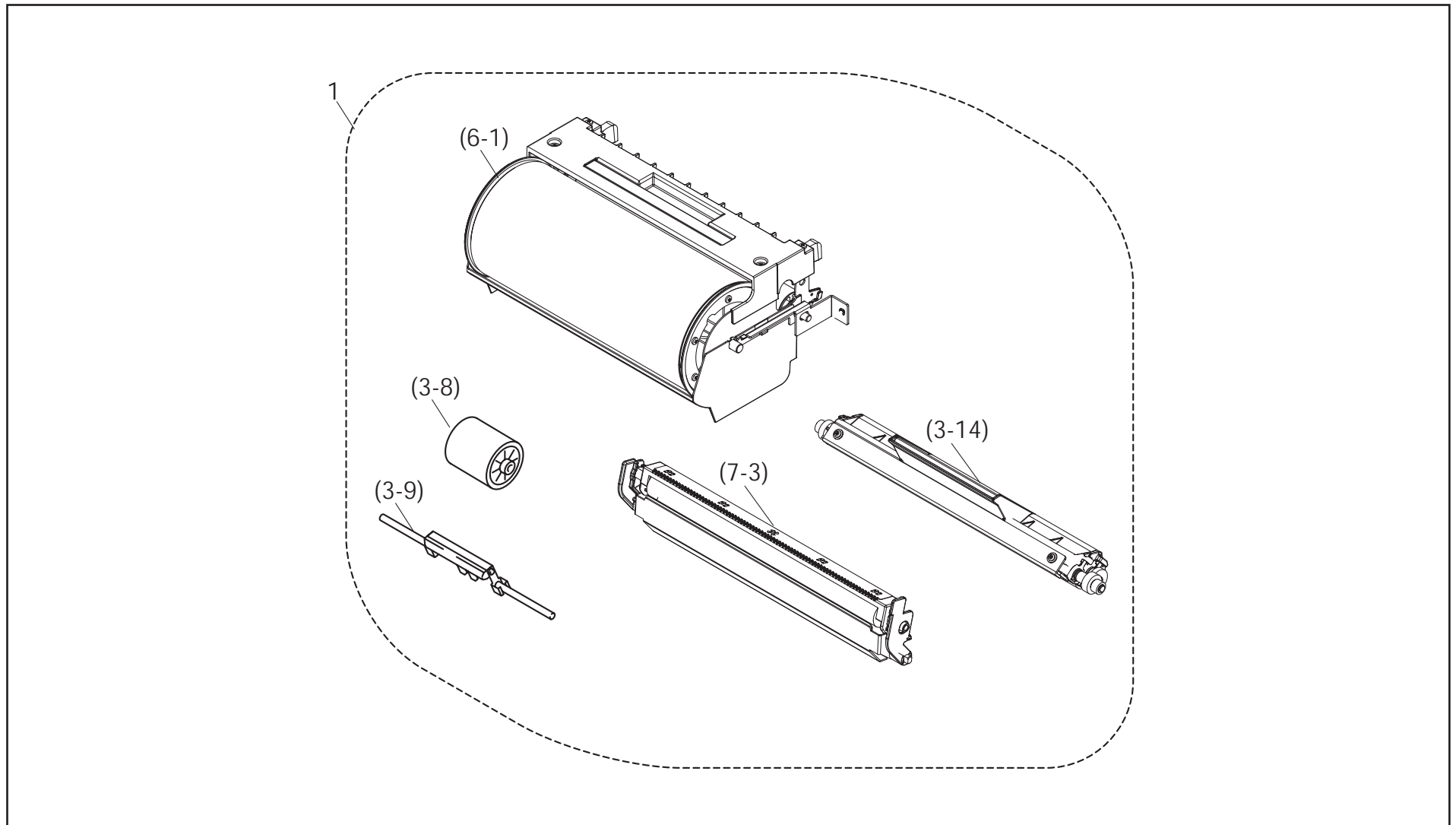
1		5	
2		6	
3		7	
4		8	

11. PERIODICAL REPLACEMENT PARTS

REF.NO	CODE	Q'TY	DESCRIPTION	REMARK
1 (6-1) (3-8) (3-9) (3-14) (7-3)	LM0895001	1	120K KIT PU TRANSFER UNIT PU PAPER FEED ROLLER SEPARATOR PAD CLEANING ROLLER PU TRANSFER ROLLER ASSY PU	

REF.NO.	CODE	Q'TY	DESCRIPTION	REMARK

11. PERIODICAL REPLACEMENT PARTS

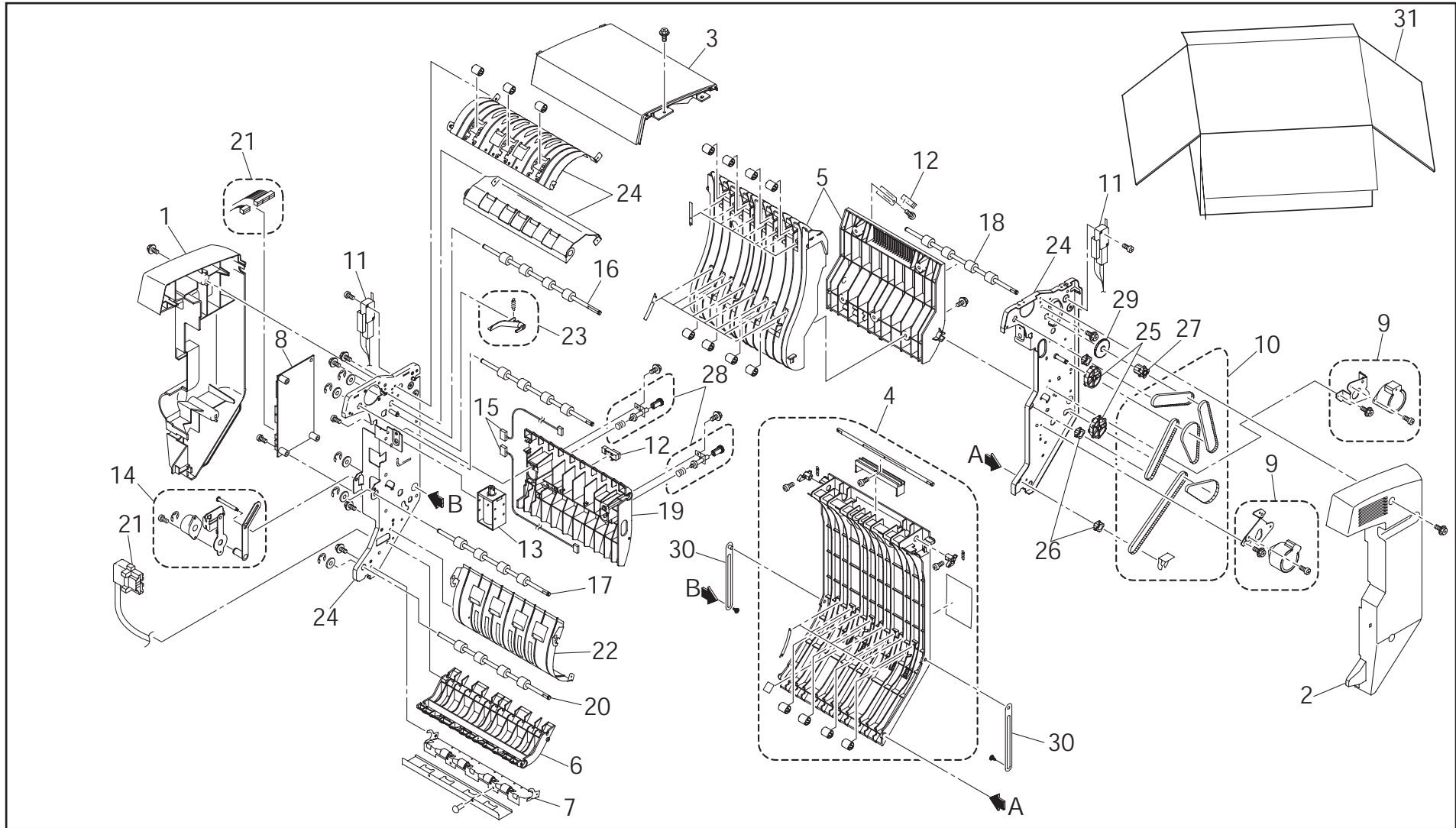


12. DUPLEX UNIT

REF.NO	CODE	Q'TY	DESCRIPTION	REMARK
1	LM0673001	1	LEFT SIDE COVER DU	
2	LM0674001	1	RIGHT SIDE COVER DU	
3	LM0675001	1	TOP COVER DU	
4	LM0676001	1	REAR COVER DU	
5	LM0677001	1	INNER PAPER GUIDE ASSY DU	
6	LM0678001	1	LOWER PAPER GUIDE ASSY DU	
7	LM0679001	1	EXIT ROLLER ASSY DU	
8	LJ9524001	1	CONTROLLER BOARD DU	
9	LM0680001	1	DRIVE MOTOR DU	
10	LM0681001	1	DRIVE BELT KIT DU	
11	LM0682001	1	REAR COVER INTERLOCK DU	
12	LM0683001	1	OPTICAL PAPER SENSOR DU	
13	LM0684001	1	DIVERter SOLENOID DU	
14	LM0685001	1	HINGE RESTRAINT DU	
15	LM0686001	1	HARNESs KIT DU	
16	LM0687001	1	PAPER FEED ROLLER (2) DU	
17	LM0688001	1	PAPER FEED ROLLER (3) DU	
18	LM0689001	1	PAPER FEED ROLLER (4) DU	
19	LM0690001	1	MEDIAN. PAPER GUIDE ASSY DU	
20	LM0691001	1	PAPER FEED ROLLER (5) DU	
21	LM0692001	1	COMMUNICATION CABLE DU	
22	LM0693001	1	UPPER PAPER GUIDE ASSY DU	
23	LM0694001	1	DIVERter LEVER DU	
24	LM0695001	1	COMPOUND GEAR KIT DU	
25	LM0696001	1	BELT GEAR (A) KIT DU	
26	LM0697001	1	BELT GEAR (B) DU	
27	LM0698001	1	LOCK SCREW KIT DU	
28	LM0699001	1	PAPER FEED KNOB DU	
29	LM0700001	1	REAR COVER ARM DU	
30	LM0701001	1	PAPER FEED ROLLER (1) DU	

REF.NO	CODE	Q'TY	DESCRIPTION	REMARK
31	LM0901001	1	DUP OUTER BOX 5(B)	

12. DUPLEX UNIT



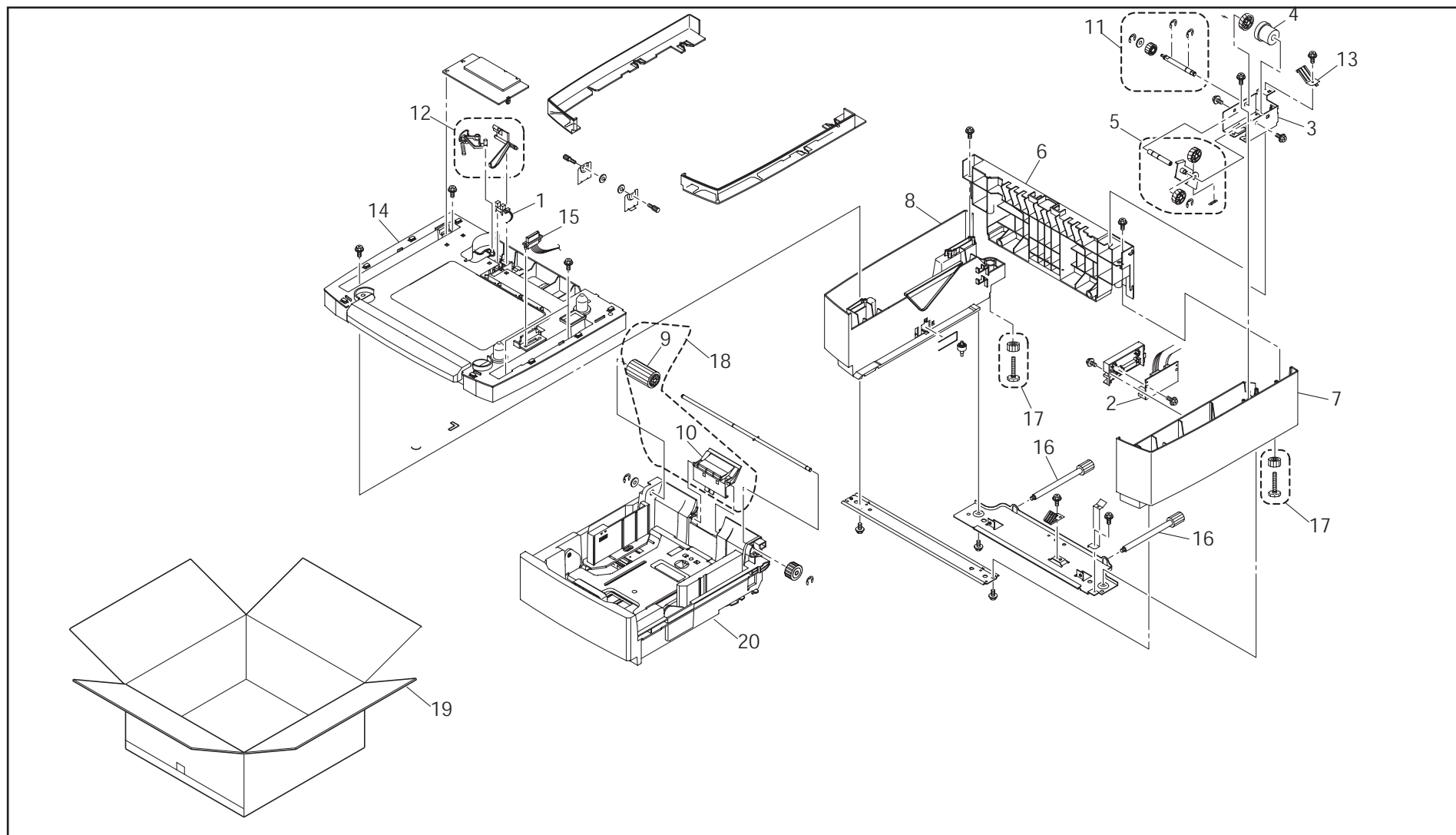
MODEL DX-2700 54SX5A (24)

13. LOWER FEEDER

REF.NO	CODE	Q'TY	DESCRIPTION	REMARK
1	LM0702001	1	TRAY EMPTY SENSOR LFU	
2	LM0703001	1	PAPER SIZE SENSOR LFU	
3	LM0704001	1	PAPER FEED ASSY LFU	
4	LM0705001	1	PAPER FEED CLUTCH LFU	
5	LM0706001	1	DRIVE GEAR ASSY LFU	
6	LM0707001	1	REAR COVER LFU	
7	LM0708001	1	RIGHT SIDE COVER LFU	
8	LM0709001	1	LEFT SIDE COVER LFU	
9	LM0710001	1	PAPER FEED ROLLER LFU	
10	LM0711001	1	SEPARATOR PAD LFU	
11	LM0712001	1	PAPER FEED DRIVE LFU	
12	LM0713001	1	TRAY EMPTY LINKAGE LFU	
13	LM0714001	1	GROUND PLATE LFU	
14	LM0715001	1	TOP COVER LFU	
15	LM0716001	1	COMMUNICATION CONNECTOR LFU	
16	LM0717001	1	STABILIZING STUD KIT LFU	
17	LM0718001	1	STABILIZING FOOT KIT LFU	
18	LM0900001	1	PAPER FEED KIT LFU	
19	LM0902001	1	LF OUTER BOX 5(B)	
20	LM0903001	1	LF5 PAPER CASSETTE	

REF.NO.	CODE	Q'TY	DESCRIPTION	REMARK

13. LOWER FEEDER



MODEL LT-27CL 54SX56 (26)