

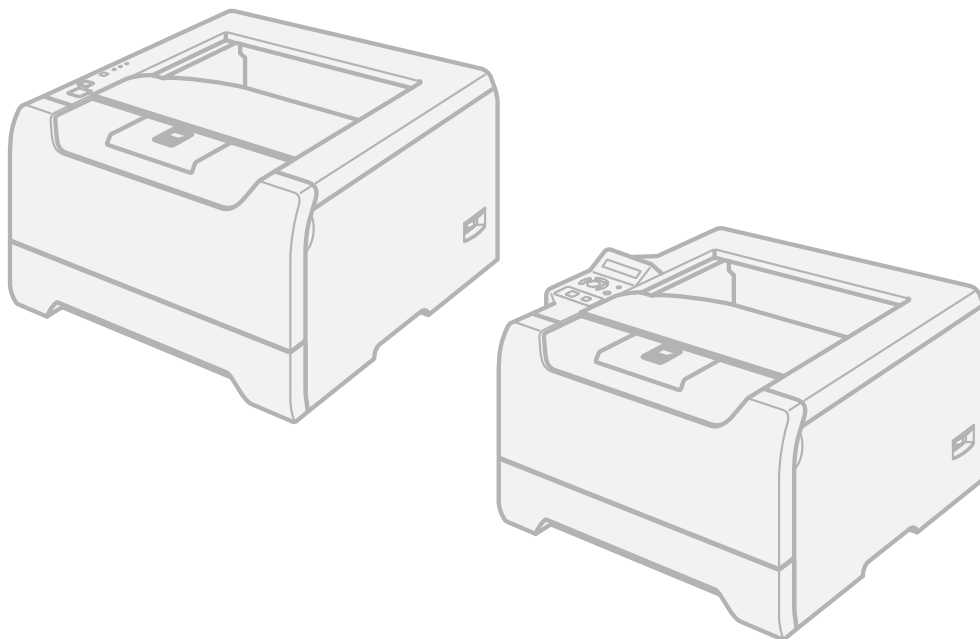


# Brother Laser Printer **PARTS REFERENCE LIST**

---

---

**MODEL:  
HL-5240/5250DN/5270DN/  
5280DW/5250DNT**



Read this list thoroughly before maintenance work.

Keep this list in a convenient place for quick and easy reference at all times.

# NOTE FOR USING THIS PARTS REFERENCE LIST

1. In the case of ordering parts, it needs mentioning the following items:

- (1) Code
- (2) Q'ty
- (3) Description
- (4) Symbol ( PCB No. etc )

< Example >

	(1) CODE	(2) Q'TY	(3) DESCRIPTION	(4) SYMBOL	REMARK
REF.NO.					

Revision No.: marked on the **main printed circuit board**.

B48K056

----- Circuit board No.

2. Design-changed parts :

If the parts are changed, any one of the following symbols is indicated in the REMARKS column.

CHG(chg) : The part is changed to a new part.

ADD(add) : The part is newly added.

DEL(del) : The part is deleted.

Symbol in capital letters indicates that the change is the latest one in the page.

3. The original of this list was made based on the information available in September 2005.

4. Parts are subject to change in design without prior notice.

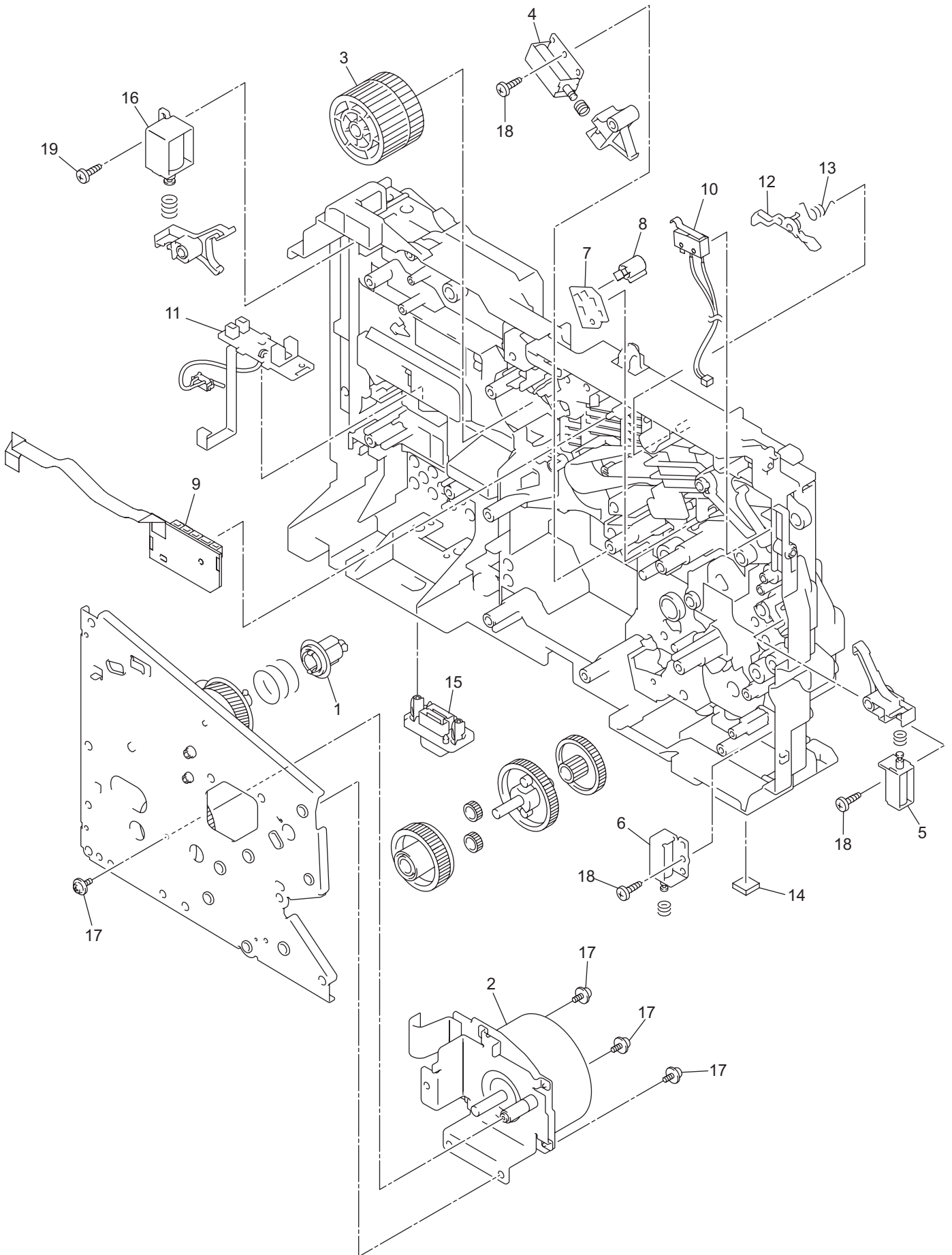
# CONTENTS

1.	<u>FRAME L/ DRIVE UNIT</u> .....	1
2.	<u>FRAME R UNIT</u> .....	3
3.	<u>FRAME UNIT</u> .....	5
4.	<u>LASER UNIT</u> .....	7
5.	<u>PAPER FEEDER</u> .....	9
6.	<u>DX</u> .....	11
7.	<u>PAPER TRAY</u> .....	13
8.	<u>FUSER UNIT</u> .....	15
9.	<u>COVERS/ LABELS</u> .....	17
10.	<u>MAIN PCB</u> .....	19
11.	<u>LVPS</u> .....	21
12.	<u>HVPS</u> .....	23
13.	<u>AC CORDS</u> .....	25
14.	<u>ACCESSORIES</u> .....	27
15.	<u>PACKING MATERIALS</u> .....	29
16.	<u>PERIODICAL MAINTENANCE PARTS</u> .....	31

1. FRAME L-DRIVE UNIT

REF No.	CODE	Q'TY	DESCRIPTION	REMARK
1	LM4227001	1	DEVELOP JOINT	
2	LM5047001	1	MAIN MOTOR ASSY AL	
3	LM5048001	1	FUSER GEAR 39 H/R DRIVE	
4	LM5058001	1	REGISTER SOLENOID ASSY	
5	LM5062001	1	MP SOLENOID ASSY	
6	LM5067001	1	T1 SOLENOID ASSY	
7	LJ9935001	1	TONER SENSOR PCB ASSY AL	
8	UL9037001	1	PT SENSOR HOLDER	
9	LJ9938001	1	RELAY FRONT PCB ASSY AL	
10	LJ9940001	1	INTERLOCK SW ASSY AL	
11	LJ9942001	1	RELAY REAR PCB ASSY AL	
11	LM9168001	1	RELAY REAR PCB 2 ASSY AL (HL-5240)	CHG
12	LM5085001	1	NEW TONER ACTUATOR	
13	LM5086001	1	NEW TONER ACTUATOR SPRING	
14	LJ7403001	1	RUBBER FOOT	
15	LJ9945001	1	CONNECTOR 54702-1219	
16	LM5011001	1	EJECTOR SOLENOID (HL-5250DN/5270DN/5280DW)	
17	087320616	4	TAPTITE CUP S M3x6	
18	085311016	3	TAPTITE BIND B M3x10	
19	085311016	1	TAPTITE BIND B M3x10 (HL-5250DN/5270DN/5280DW)	

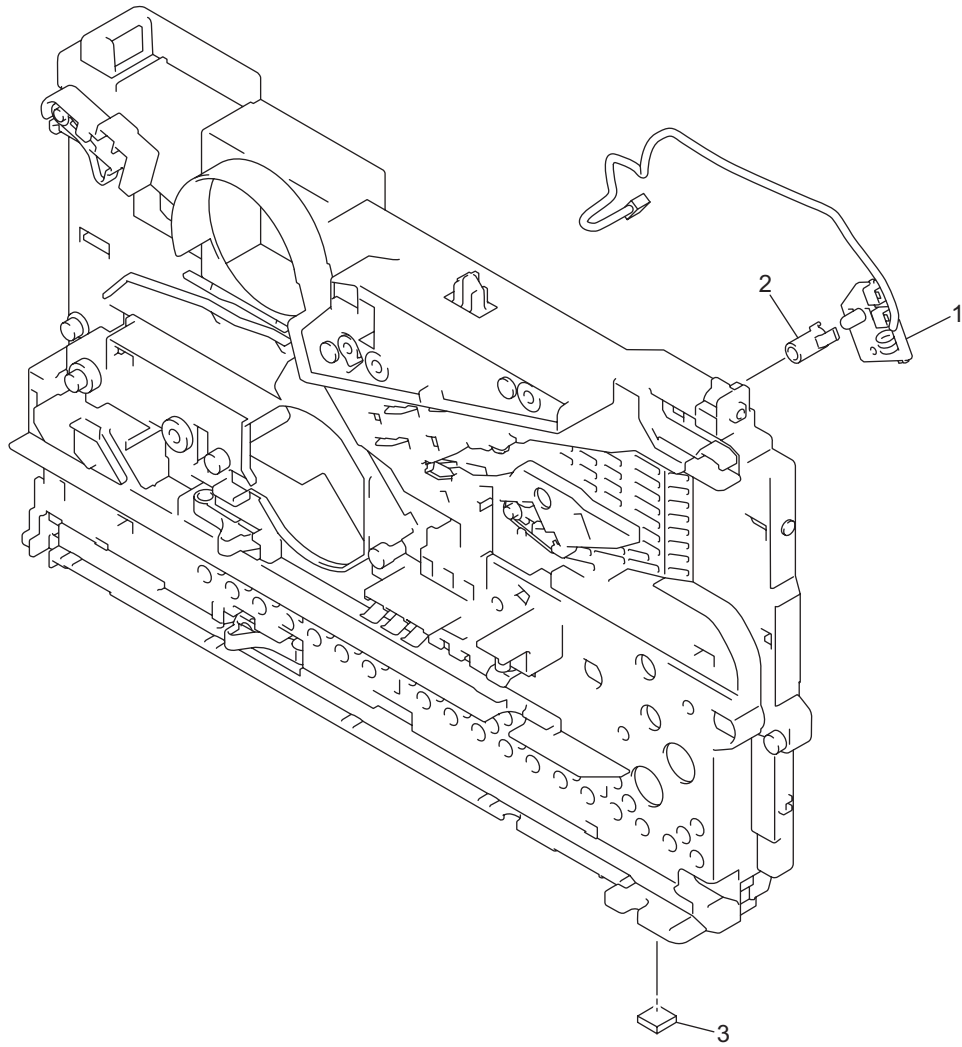
# 1. FRAME L/ DRIVE UNIT



## 2. FRAME R UNIT

REF No.	CODE	Q'TY	DESCRIPTION	REMARK
1	LM9022001	1	TONER LED PCB ASSY AL	
2	LM4267001	1	LED HOLDER	
3	LJ7403001	1	RUBBER FOOT	

## 2. FRAME R UNIT

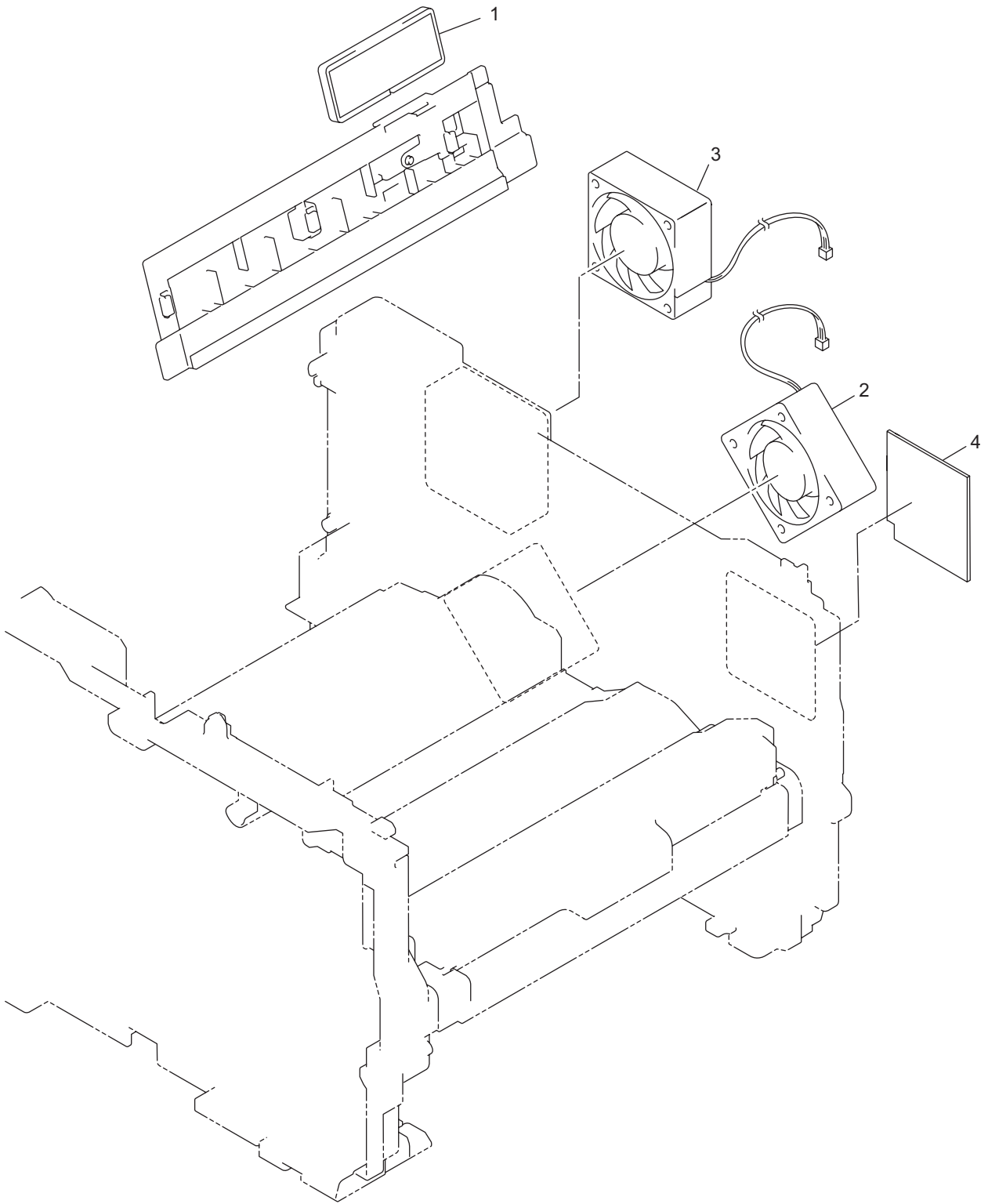


### 3. FRAME UNIT

REF No.	CODE	Q'TY	DESCRIPTION	REMARK
1	LM2445001	1	FILTER	
2	LM5114001	1	FAN MOTOR 60 UNIT LV	
3	LM5116001	1	FAN MOTOR 60 UNIT	
4	LG6846001	1	PCB T60H929.00 ASSY 02 (HL-5280DW)	CHG



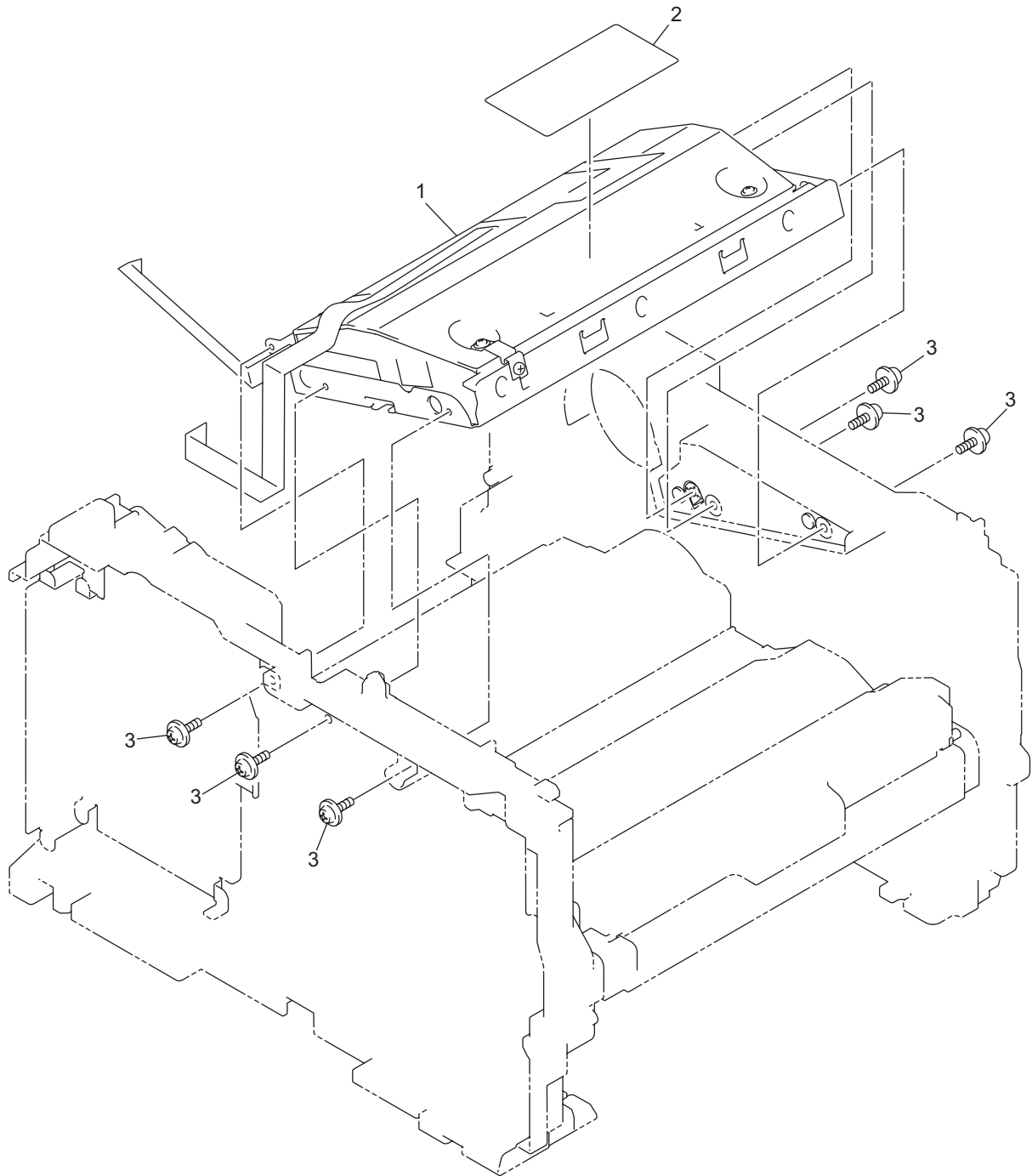
### 3. FRAME UNIT



#### 4. LASER UNIT

REF No.	CODE	Q'TY	DESCRIPTION	REMARK
1	LM5750001	1	LASER UNIT AL (SP)	
2	LJ0908001	1	LASER CAUTION LABEL B	
2	UL7931001	1	LASER CAUTION LABEL CHN	
3	087320616	6	TAPTAITE CUP S M3x6	

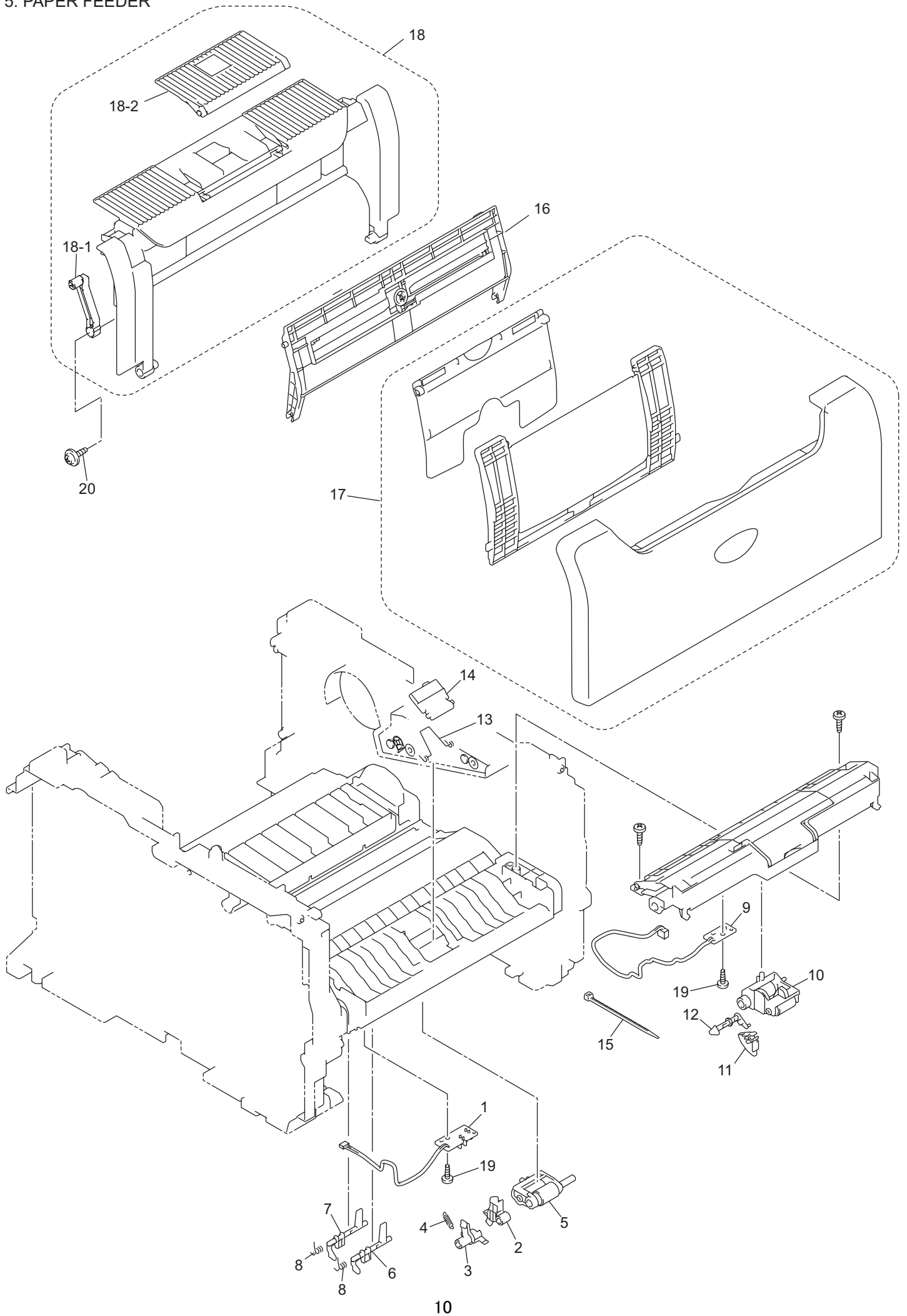
#### 4. LASER UNIT



5. PAPER FEEDER

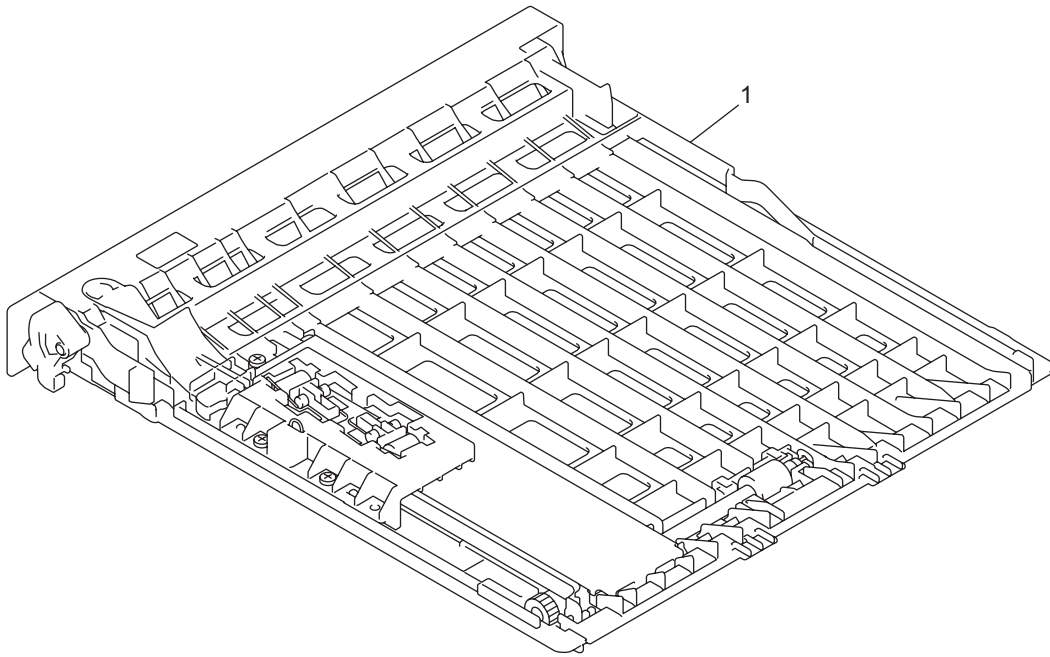
REF No.	CODE	Q'TY	DESCRIPTION	REMARK
1	LM9001001	1	PE EG SENSOR ASSY	
2	LM5131001	1	PE ACTUATOR	
3	LM5132001	1	EDGE ACTUATOR	
4	LM5133001	1	EDGE ACTUATOR SPRING	
5	LM5140001	1	ROLLER HOLDER ASSY	
6	LM5150001	1	REGIST ACTUATOR FRONT	
7	LM5151001	1	REGIST ACTUATOR REAR	
8	LM5152001	2	REGIST ACTUATOR SPRING	
9	LJ9999001	1	MP PE SENSOR ASSY	
10	LM5165001	1	MP ROLLER HOLDER ASSY	
11	LM5171001	1	PE ACTUATOR MP	
12	LM5172001	1	PE ACTUATOR MP B	
13	LM5180001	1	MP SEPARATION SPRING	
14	LM5182001	1	SEPARATION PAD ASSY MP	
15	LJ8657001	1	BINDER 2.3X7.9	
16	LM5196001	1	TRAY MP ASSY	
17	LM5201001	1	MP TRAY COVER ASSY	
18	LM5205001	1	PROCESS COVER ASSY AL	
18	LM5962001	1	PROCESS COVER ASSY AL CHN	ADD
18-1	LM5124001	1	PROCESS COVER STOPPER	
18-2	LM5208001	1	SUPPORT FLAP AL	
19	085310816	2	TAPTITE BIND B M3x8	
20	087411016	1	TAPTITE BIND B M4X10	

# 5. PAPER FEEDER



6. DX

REF No.	CODE	Q'TY	DESCRIPTION	REMARK
1	LM5209001	1	DX FEED ASSY LTR AL	
1	LM5421001	1	DX FEED ASSY A4 AL	

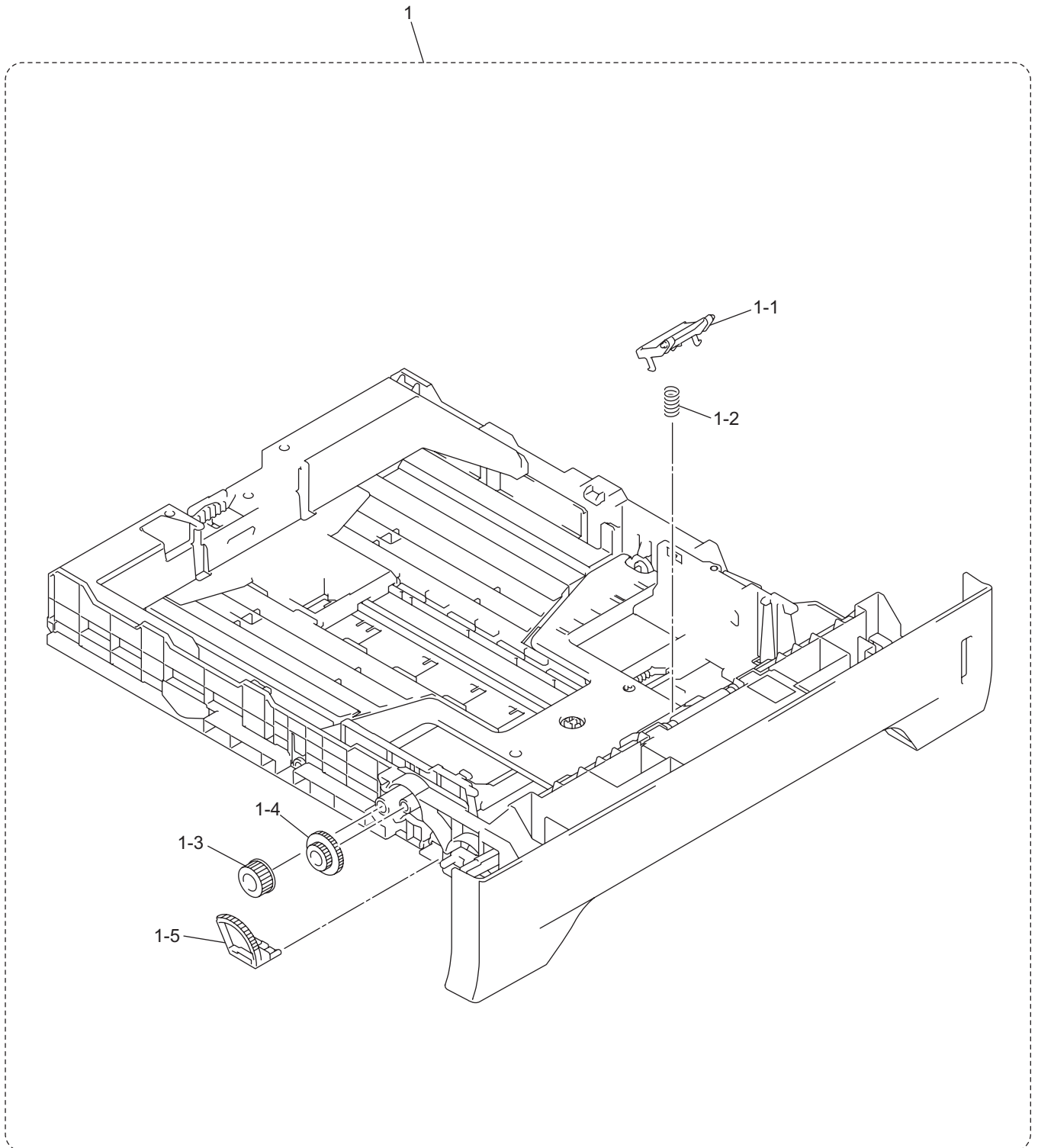


7. PAPER TRAY

REF No.	CODE	Q'TY	DESCRIPTION	REMARK
1	LM5738001	1	PAPER TRAY UNIT US	
1	LM5739001	1	PAPER TRAY UNIT EUR	
1-1	LM5237001	1	SEPARATION PAD ASSY	
1-2	LM5239001	1	SEPARATION PAD SPRING	
1-3	LM5245001	1	GEAR 15	
1-4	LM5246001	1	GEAR 21-16	
1-5	LM5247001	1	LIFT GEAR 46	



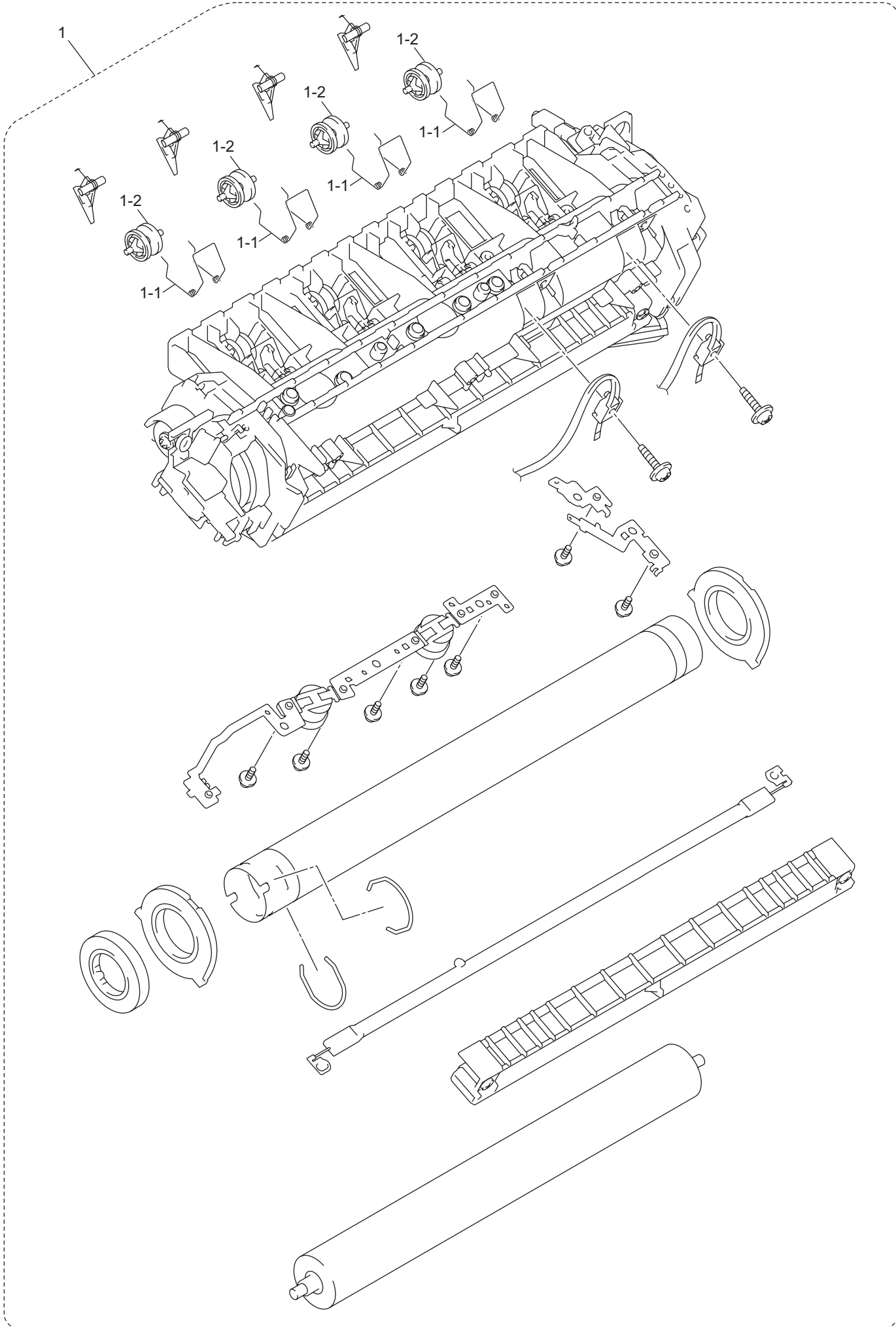
## 7. PAPER TRAY



8. FUSER UNIT

REF No.	CODE	Q'TY	DESCRIPTION	SYMBOL	REMARK
1	LM5906001	1	FUSER UNIT 115V (SP)		CHG
1	LM5908001	1	FUSER UNIT 230V (SP)		CHG
1-1	LM5408001	4	PRESSURE SPRING		ADD
1-2	LM5513001	4	EJECT PINCH ROLLER M		ADD

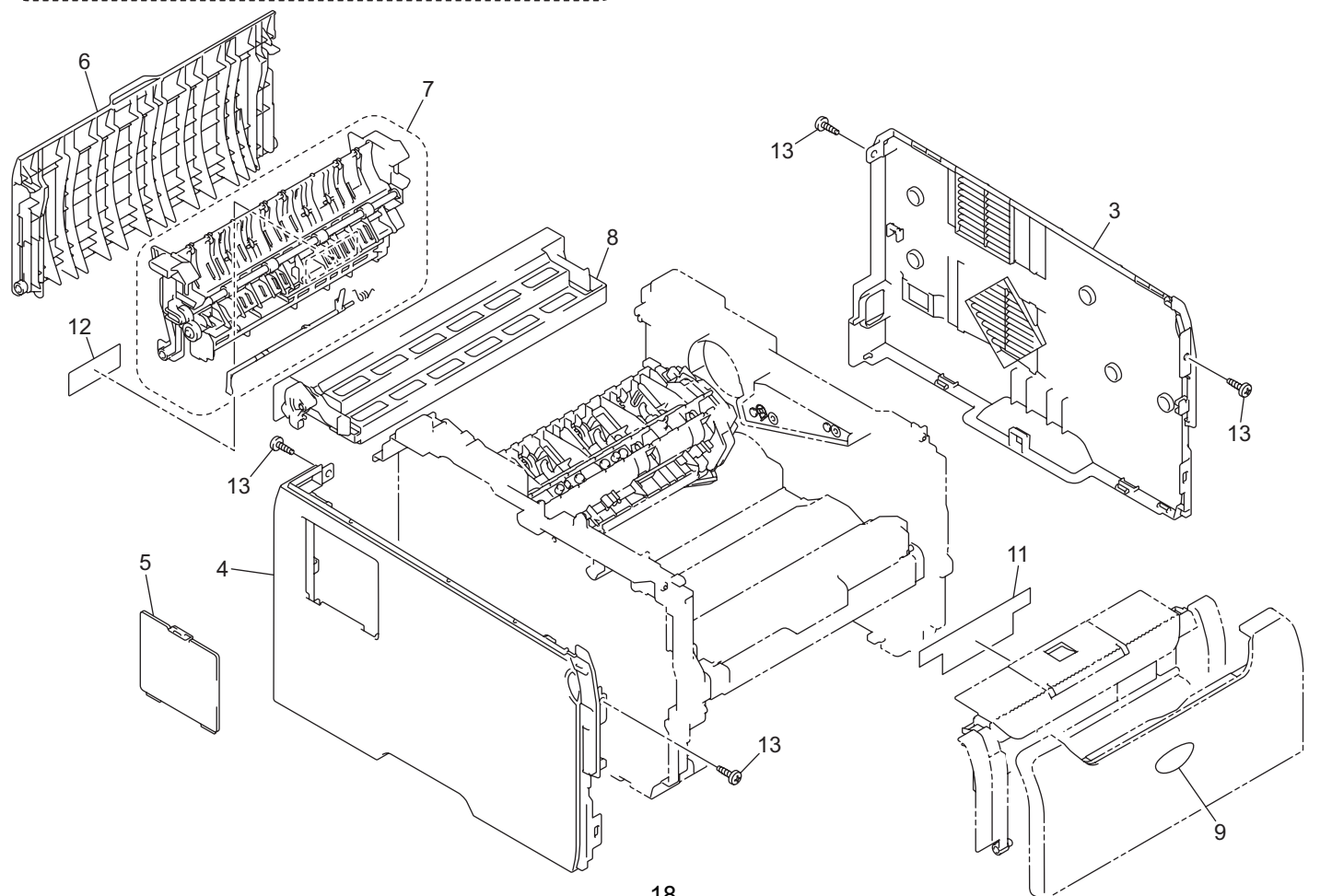
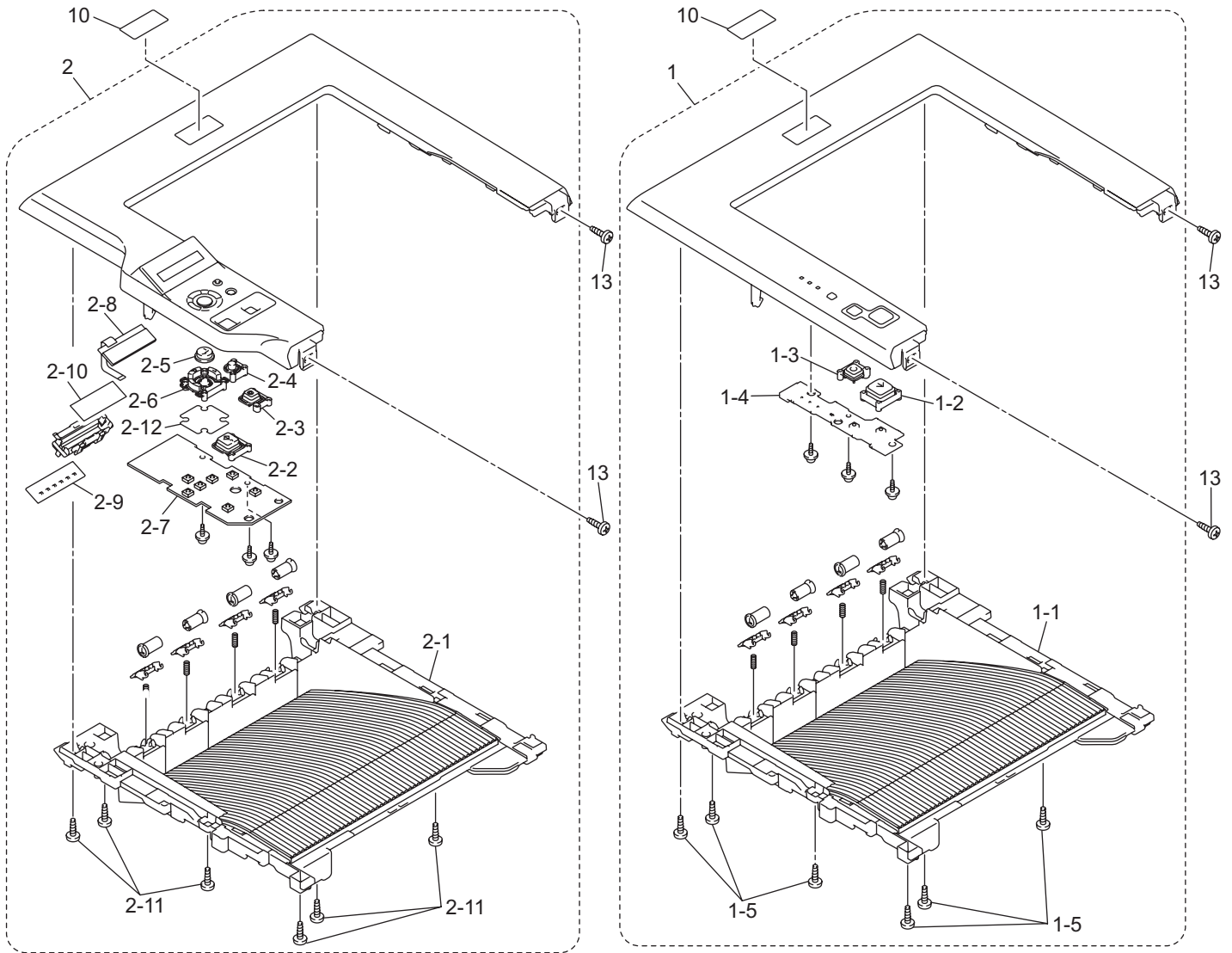
# 8. FUSER UNIT



9. COVERS-LABELS

REF No.	CODE	Q'TY	DESCRIPTION	REMARK
1	LM5262001	1	TOP COVER ASSY AL (HL-5240/5250DN)	
1	LM6487001	1	TOP COVER ASSY AL MOF BEL (HL-5240 MOF BEL)	add
1-1	LM5269001	1	INNER CHUTE AL	
1-2	LM5083001	1	SW KEY A	
1-3	LM5084001	1	SW KEY B	
1-4	LJ9933001	1	PANEL PCB ASSY AL	
1-5	085411216	6	TAPTITE BIND B M4x12	
2	LM5526001	1	TOP COVER 2 ASSY 5270	
2	LM5769001	1	TOP COVER 2 ASSY 5280	
2-1	LM5269001	1	INNER CHUTE AL	
2-2	LM5530001	1	SW KEY A	
2-3	LM5531001	1	SW KEY B	
2-4	LM5532001	1	SW KEY C	
2-5	LM5635001	1	SET KEY PRINTED ASSY	
2-6	LM5534001	1	KEY TOP	
2-7	LM9041001	1	LCD PANEL PCB ASSY AL	
2-8	LM5535001	1	PANEL PLATE PRINTED ASSY 5270	
2-8	LM5768001	1	PANEL PLATE PRINTED ASSY 5280	
2-9	LM9043001	1	BACK LIGHT PCB ASSY AL	
2-10	LE7130001	1	BACK LIGHT FILM	
2-11	085411216	7	TAPTITE BIND B M4x12	
2-12	LM5882001	1	SET KEY FILM	
3	LM5778001	1	SIDE COVER R ASSY AL	
4	LM5780001	1	SIDE COVER L ASSY AL (HL-5240/5250DN)	
4	LM5779001	1	SIDE COVER L 2 ASSY AL (HL-5270DN/5280DW)	
5	LM5273001	1	ACCESS COVER AL	
6	LM5274001	1	REAR COVER AL	
7	LM5983001	1	OUTER CHUTE ASSY2	CHG
8	LM5424001	1	DX COVER	chg
9	LM5771001	1	BROTHER EMBLEM AL	
10	LM5521001	1	MODEL PLATE 5240	
10	LM5284001	1	MODEL PLATE 5250	
10	LM5537001	1	MODEL PLATE 5270	
10	LM5604001	1	MODEL PLATE 5280	
11	LM5542001	1	PROCESS UNIT OP LABEL AL US	
11	LM5834001	1	PROCESS UNIT OP LABEL AL EUR	
11	LM5835001	1	PROCESS UNIT OP LABEL AL AP	
11	LM5836001	1	PROCESS UNIT OP LABEL AL CHN	
12	LM5758001	1	RELEASE LABEL	
13	085411216	6	TAPTITE BIND B M4x12	

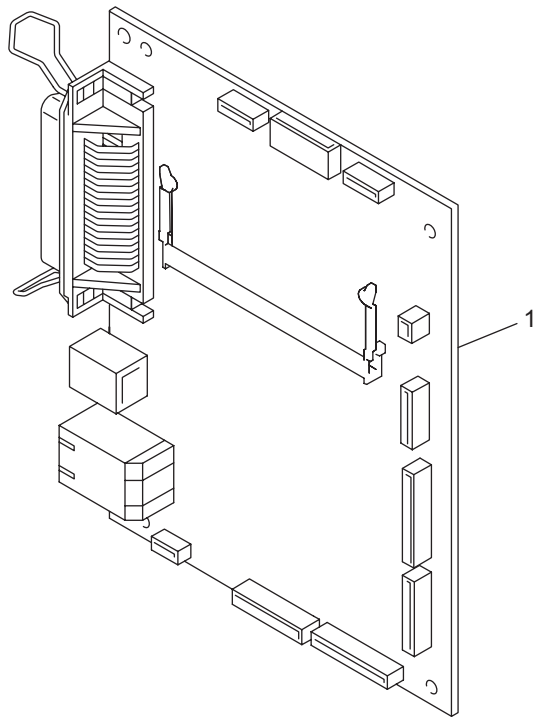
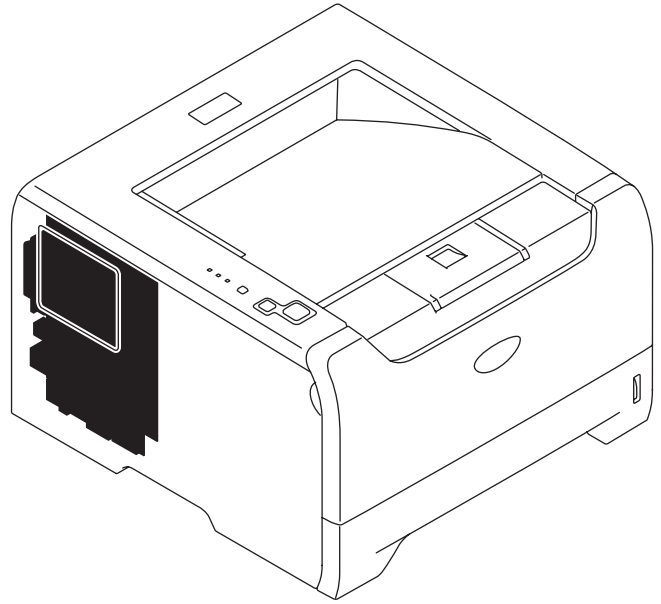
9. COVERS/ LABELS



10. MAIN PCB

REF No.	CODE	Q'TY	DESCRIPTION	SYMBOL	REMARK
1	LM9076001	1	MAIN PCB ASSY 5240		
1	LM9077001	1	MAIN PCB ASSY 5250		
1	LM9110001	1	MAIN PCB ASSY 5270		
1	LM9064001	1	MAIN PCB ASSY 5280DW US		
1	LM9138001	1	MAIN PCB ASSY 5280DW EU		
1	LM9169001	1	MAIN PCB ASSY 5240 CHN		ADD
1	LM9170001	1	MAIN PCB ASSY 5250 CHN		ADD

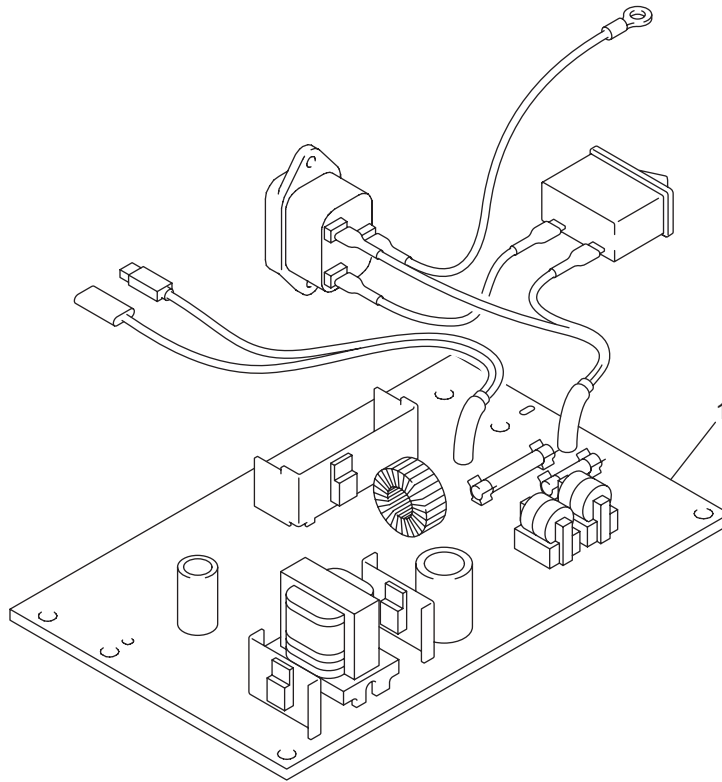
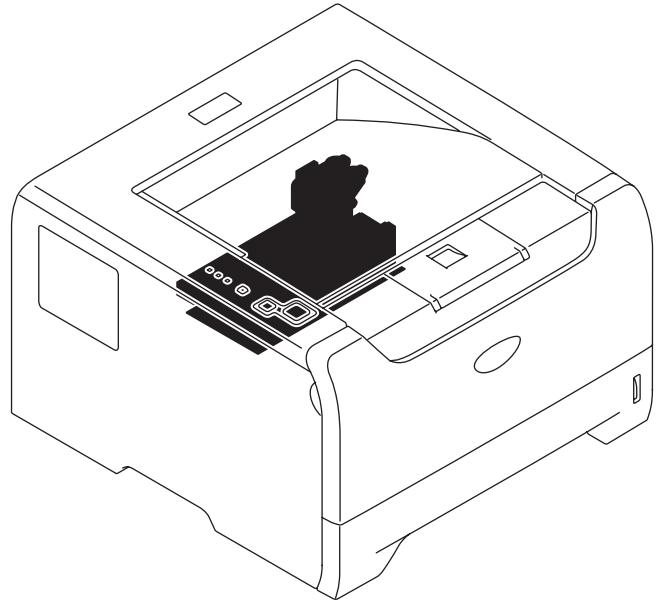
10. MAIN PCB



11. LVPS

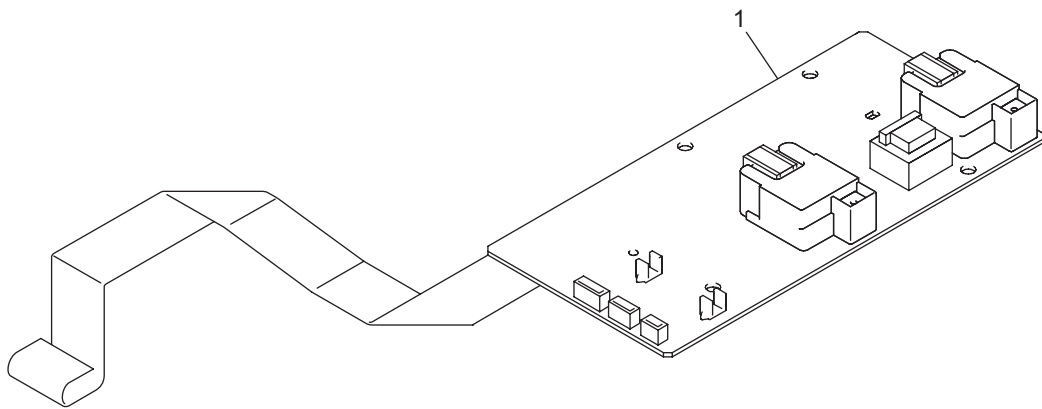
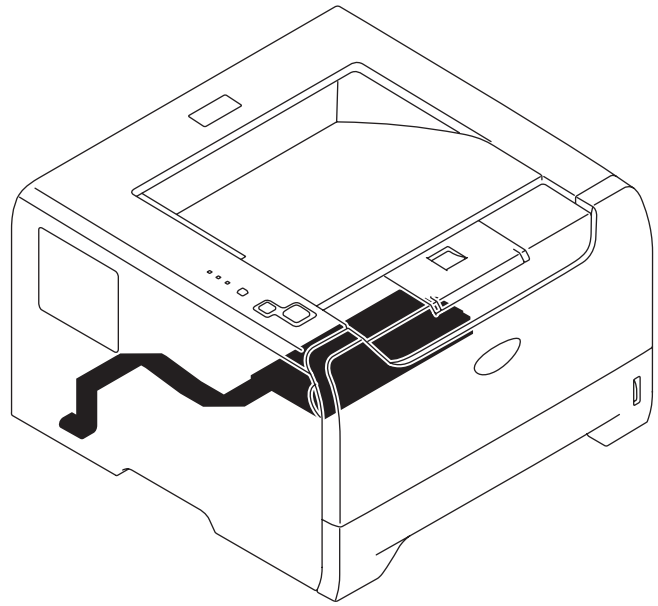
REF No.	CODE	Q'TY	DESCRIPTION	REMARK
1	LJ9979001	1	PS PCB UNIT AL 115V	
1	LJ9983001	1	PS PCB UNIT AL 230V	
1	LM9088001	1	PS PCB UNIT AL CHN	





12. HVPS

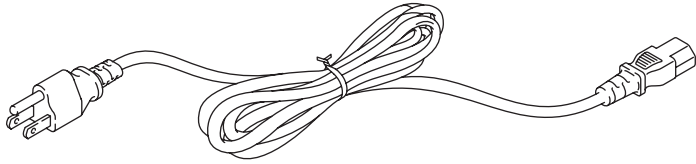
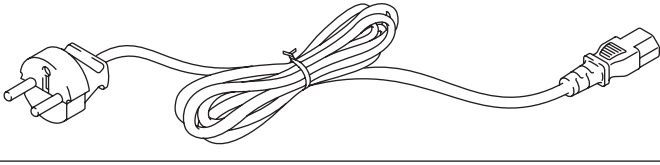
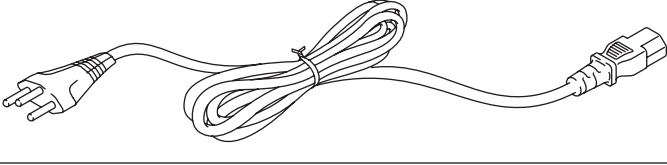
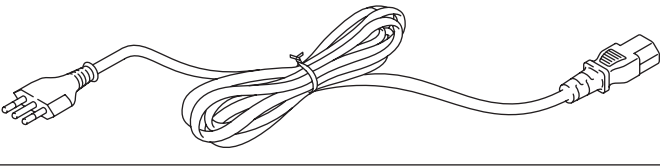
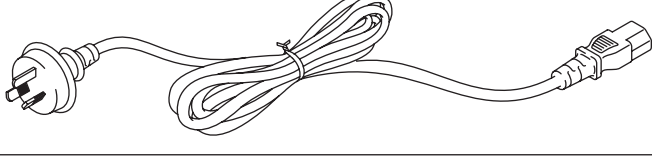
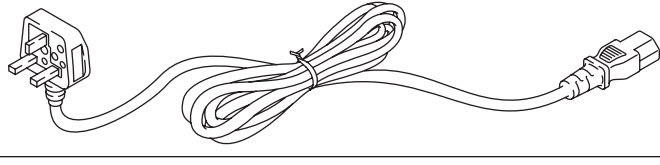
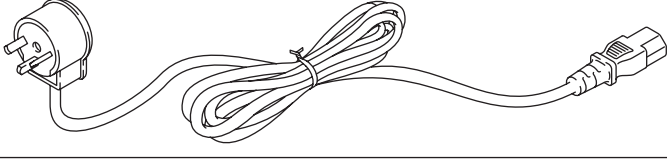
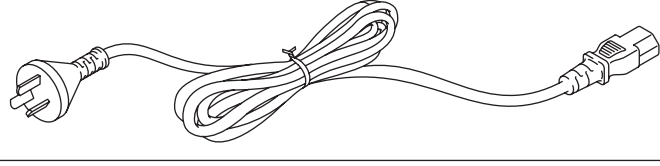
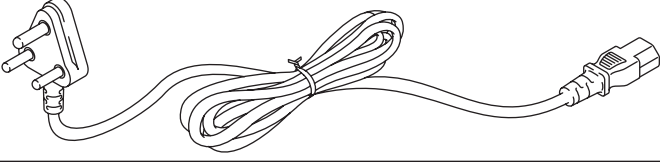
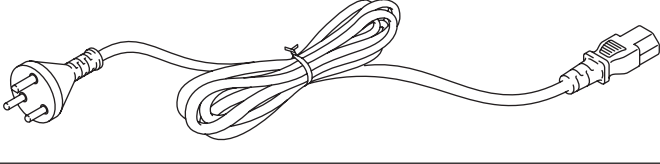
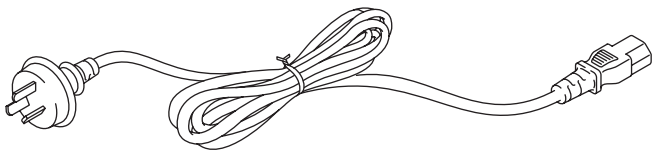
REF No.	CODE	Q'TY	DESCRIPTION	REMARK
1	LJ9978001	1	HIGH-VOLTAGE PS PCB ASSY AL	



13. AC CORDS

REF No.	CODE	Q'TY	DESCRIPTION	REMARK
1A	LJ9271001	1	AC CORD ASSY LF UL/CSA 10A	
1B	LJ9103001	1	AC CORD ASSY LF VDE	
1C	LJ9254001	1	AC CORD ASSY LF SEV	
1D	LJ9294001	1	AC CORD ASSY LF CHILE	
1E	LJ9666001	1	AC CORD LF SAA	
1F	LJ9921001	1	AC CORD ASSY LF, BS/PSB	
1G	LJ9298001	1	AC CORD ASSY LF, ISRAEL	
1H	LJ9338001	1	AC CORD ASSY LF, CHINA	
1I	LJ9295001	1	AC CORD ASSY LF, SOUTH AFRICA	
1J	LJ9256001	1	AC CORD ASSY LF, DEMKO	
1K	LJ9727001	1	AC CORD LF, ARG	

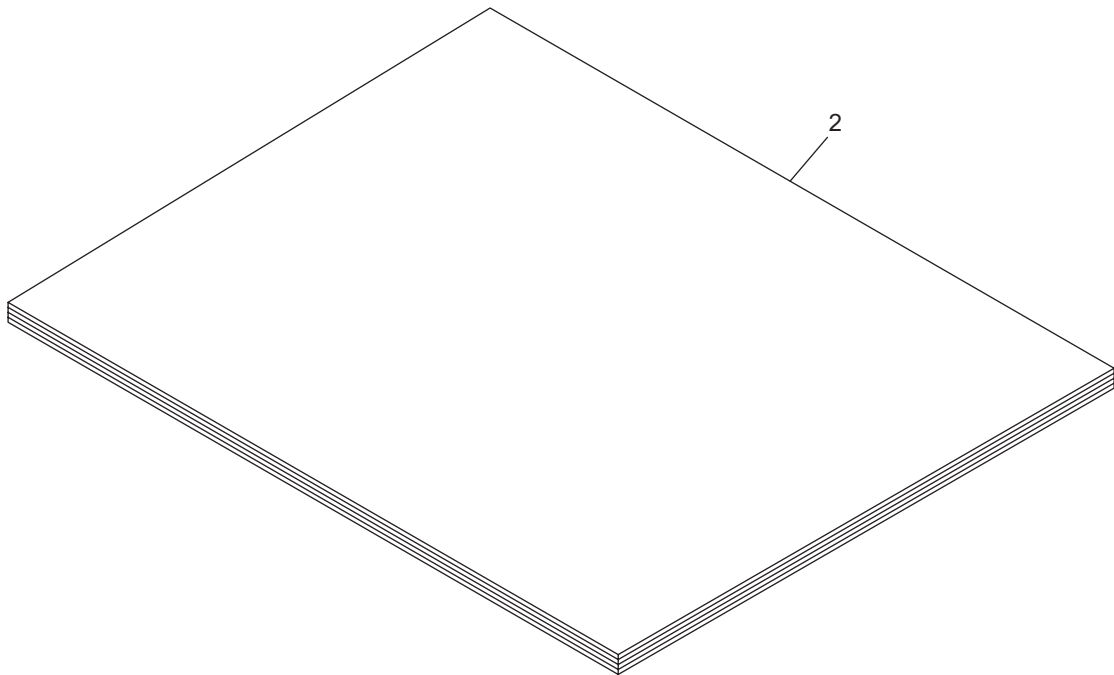
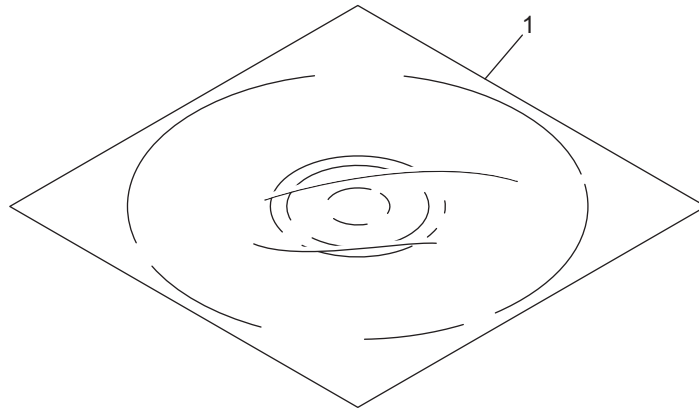
13. AC CORDS

1A	
1B	
1C	
1D	
1E	
1F	
1G	
1H	
1I	
1J	
1K	

14. ACCESSORIES

REF No.	CODE	Q'TY	DESCRIPTION	REMARK
1	LM6463001	1	CD ASSY 40/50 AL	CHG
4	<del>LM5594004</del>	4	<del>CD ASSY 70 AL</del>	DEL
1	LM6464001	1	CD ASSY 70/80 AL	CHG
1	LM6232001	1	CD ASSY AL CHN	
4	<del>LM5997004</del>	4	<del>CD ASSY 40/50AL EEU/RUS</del>	DEL
1	LM5903001	1	CD ASSY AL EEU/RUS	add
2	LM5292001	1	SET GUIDE AL ENG	
2	LM6472001	1	SET GUIDE AL ENG UNIV	chg
2	LM5668001	1	SET GUIDE AL-LCD ENG	
2	LM5678001	1	SET GUIDE AL-W ENG	
2	LM6475001	1	SET GUIDE AL-W ENG UNIV	chg
2	LM5628001	1	SET GUIDE AL FRE	
2	LM6473001	1	SET GUIDE AL FRE UNIV	chg
2	LM5667001	1	SET GUIDE AL-LCD FRE	
2	LM5680001	1	SET GUIDE AL-W FRE	
2	LM6476001	1	SET GUIDE AL-W FRE UNIV	chg
2	LM5618001	1	SET GUIDE AL GER	
2	LM5666001	1	SET GUIDE AL-LCD GER	
2	LM5679001	1	SET GUIDE AL-W GER	
2	LM5651001	1	SET GUIDE AL SPA	
2	LM6474001	1	SET GUIDE AL SPA UNIV	chg
2	LM5671001	1	SET GUIDE AL-LCD SPA	
2	LM5683001	1	SET GUIDE AL-W SPA	
2	LM5652001	1	SET GUIDE AL POR	
2	LM5672001	1	SET GUIDE AL-LCD POR	
2	LM5684001	1	SET GUIDE AL-W POR	
2	LM5638001	1	SET GUIDE AL ITA	
2	LM5670001	1	SET GUIDE AL-LCD ITA	
2	LM5682001	1	SET GUIDE AL-W ITA	
2	LM5657001	1	SET GUIDE AL CHN	
2	LM5653001	1	SET GUIDE AL NOR	
2	LM5673001	1	SET GUIDE AL-LCD NOR	
2	LM5685001	1	SET GUIDE AL-W NOR	
2	LM5662001	1	SET GUIDE AL SWE	
2	LM5674001	1	SET GUIDE AL-LCD SWE	
2	LM5686001	1	SET GUIDE AL-W SWE	
2	LM5663001	1	SET GUIDE AL DAN	
2	LM5675001	1	SET GUIDE AL-LCD DAN	
2	LM5687001	1	SET GUIDE AL-W DAN	
2	LM5664001	1	SET GUIDE AL FIN	
2	LM5676001	1	SET GUIDE AL-LCD FIN	
2	LM5688001	1	SET GUIDE AL-W FIN	
2	LM5665001	1	SET GUIDE AL DUT	
2	LM5669001	1	SET GUIDE AL-LCD DUT	
2	LM5681001	1	SET GUIDE AL-W DUT	
2	LM5893001	1	SET GUIDE AL RUS	add
2	LM5896001	1	SET GUIDE AL-LCD RUS	add
2	LM5891001	1	SET GUIDE AL ENG/CZE/HUN	add
2	LM5894001	1	SET GUIDE AL-LCD ENG/CZE/HUN	add
2	LM5892001	1	SET GUIDE AL POL/BUL/ROM	add
2	LM5895001	1	SET GUIDE AL-LCD POL/BUL/ROM	add

14. ACCESSORIES

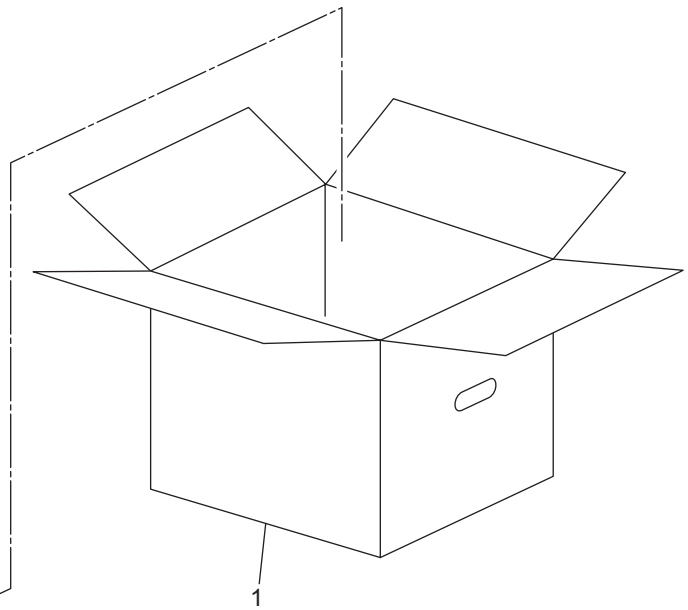
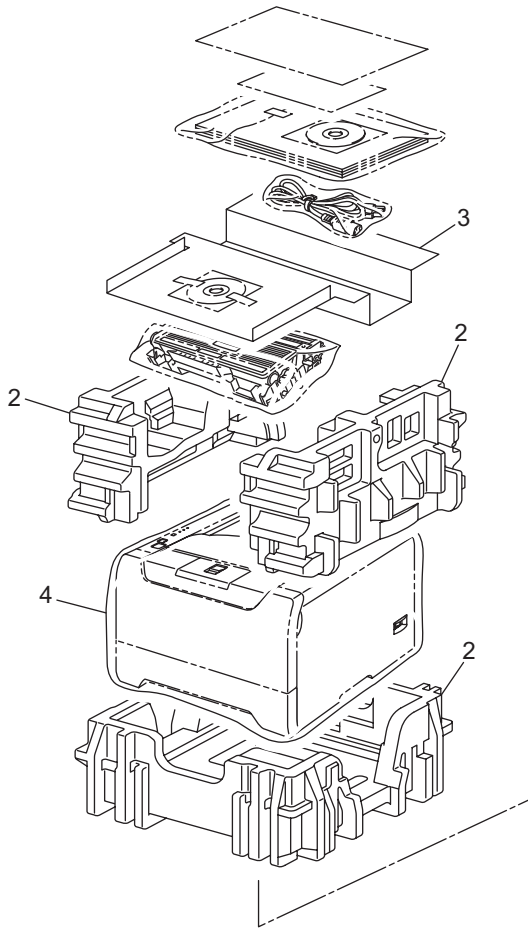


15. PACKING MATERIALS

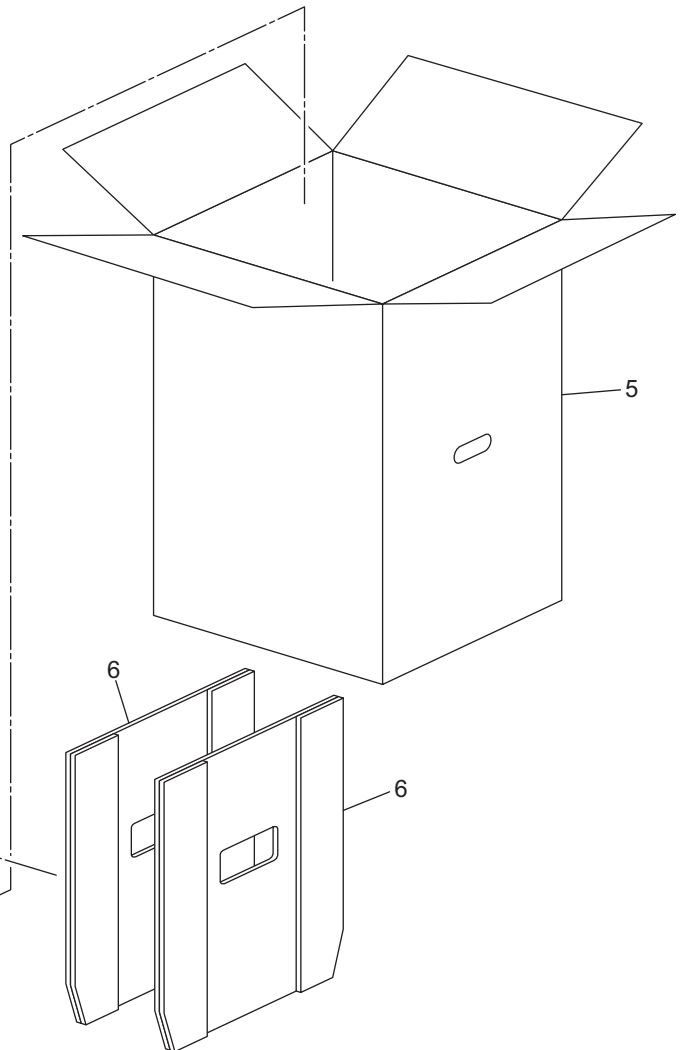
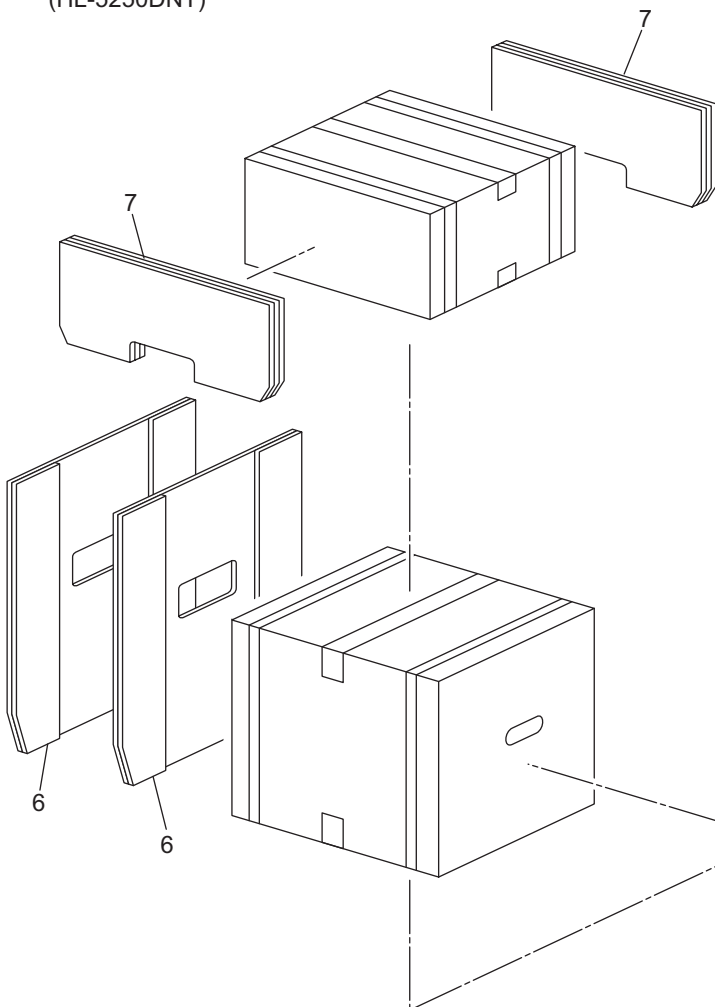
REF No.	CODE	Q'TY	DESCRIPTION	REMARK
1	LM5616001	1	CARTON HL-5240 US	
1	LL0943001	1	CARTON HL-5250 US/ HL-5250DNT US	
1	LM5841001	1	CARTON HL-5280DW US	
1	LM5639001	1	CARTON HL-5240 EU	
1	LM5699001	1	CARTON HL-5250DN EU	
1	LM5765001	1	CARTON HL-5270DN EU	
1	LM5837001	1	CARTON HL-5280DW EU	
1	LM5655001	1	CARTON HL-5240 CHN	
1	LM5722001	1	CARTON HL-5250DN CHN	
2	LM5294001	1	POLYSTYRENE PAD ASSY AL 40/50	
2	LM5599001	1	POLYSTYRENE PAD ASSY AL 70/80	
3	LM5298001	1	OPTION CARTON AL	
4	LJ5584001	1	BAG, 700X800H	
5	LM5826001	1	CARTON OUTER 5250DNT US	
6	LM5829001	4	PAD 5250DNT A (HL-5250DNT US)	
7	LM2042001	2	PAD 5250LT B (HL-5250DNT US)	



15. PACKING MATERIALS



(HL-5250DNT)



16. PERIODICAL MAITENANCE PARTS

REF No.	CODE	Q'TY	DESCRIPTION	REMARK
1	LM5852001	1	ROLLER HOLDER SP ASSY	
2	LM5853001	1	MP ROLLER HOLDER SP ASSY	

16. PERIODICAL MAINTENANCE PARTS

