



LOWER TRAY UNIT

PARTS REFERENCE LIST



LT-1200/LT-1600

NOTE FOR USING THIS PARTS REFERENCE LIST

1. In the case of ordering parts, it needs mentioning the following items:

- (1) Code
- (2) Q'ty
- (3) Description
- (4) Symbol (PCB No., Revision , and Parts location mounted on the PCB.)

Note : No orders without Parts Code or Tool No. can be accepted.

< Example >

REF.NO.	SYMBOL	CODE	Q'TY	DESCRIPTION	REMARKS

Revision No. : marked on the printed circuit board.

B48K056 - 201A



2. Design-changed parts:

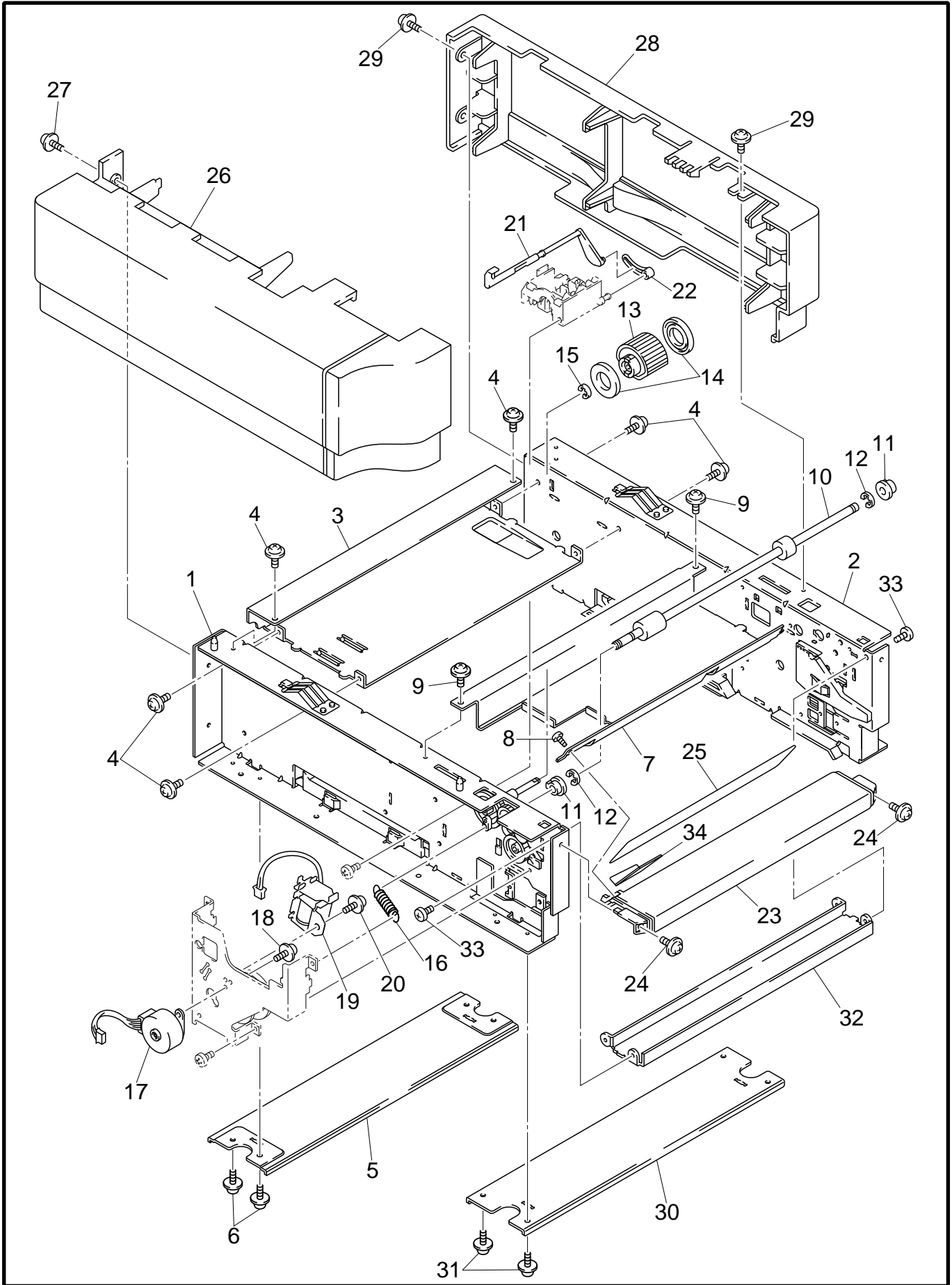
If the parts are changed, any one of the following symbols is indicated in the REMARKS column.

- #A : compatible between old and new
- #B : replaceable from old to new
- #D : incompatible
- # : newly established

3. The original of this list was made based on the information available in September, 1996.

4. Parts are subject to change in design without prior notice.

1 . FEEDER UNIT



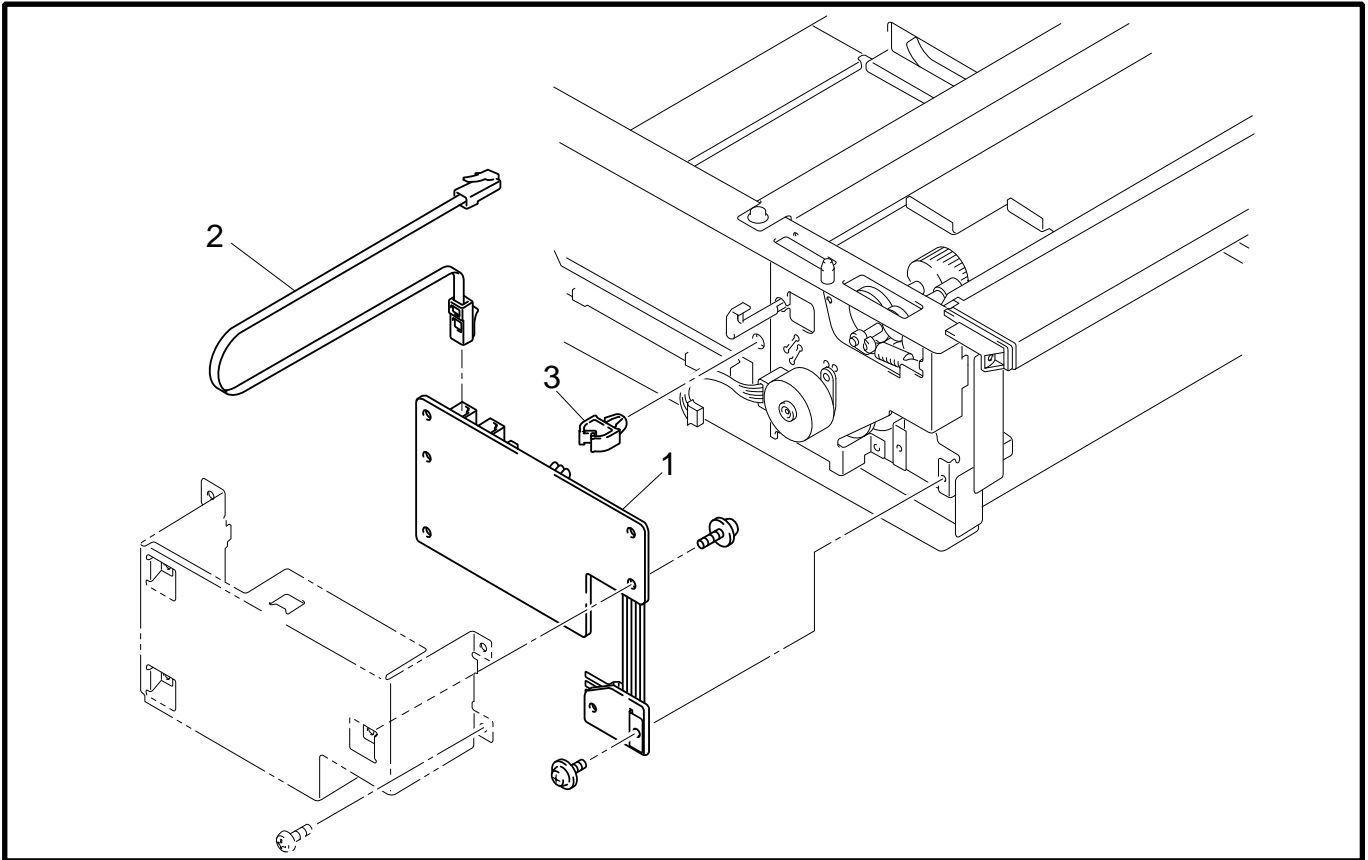
MODEL LT-1200/1600 54X-U01/U02-630

1 . FEEDER UNIT

REF.NO.	CODE	Q'TY	DESCRIPTION	REMARKS
1	UH2901001	1	FEEDER CHASSIS L ASSY	
2	UH2952001	1	FEEDER CHASSIS R ASSY	
3	UH2905000	1	STIFFENER PLATE UPPER	
4	087320616	6	TAPTITE, CUP S M3X6	
5	UH2906000	1	STIFFENER PLATE LOWER	
6	087320616	4	TAPTITE, CUP S M3X6	
7	UH2907000	1	FEEDER GUIDE	
8	085310615	1	TAPTITE, BIND B M3X6	
9	087320616	2	TAPTITE, CUP S M3X6	
10	UH2954001	1	FEEDER ROLLER ASSY	
11	UH2960000	2	BEARING S	
12	048040346	2	RETAINING RING, E4	
13	UH2362001	1	PAPER PICK-UP ROLLER ASSY	
14	UH2364000	2	PAPER PICK-UP ROLLER COLLAR	
15	048040346	1	RETAINING RING, E4	
16	UH2967000	1	SPRING, EXTENSION	
17	UH2357001	1	PAPER FEED MOTOR ASSY	
18	087320616	2	TAPTITE, CUP S M3X6	
19	UH2369001	1	PAPER PICK-UP SOLENOID	
20	087320616	1	TAPTITE, CUP S M3X6	
21	UH2911000	1	PAPER EMPTY SENSOR ACTUATOR	
22	UH2381000	1	PE ACTUATOR LINK	
23	UH2913000	1	FRONT COVER, GRAY1227	
24	087320616	2	TAPTITE, CUP S M3X6	
25	UH2918001	1	PAPER PATH FILM	
26	UH2914000	1	SIDE COVER L, GRAY1227	
27	087320616	4	TAPTITE, CUP S M3X6	
28	UH2915000	1	SIDE COVER R, GRAY1227	
29	087320616	5	TAPTITE, CUP S M3X6	
30	UH2957000	1	FRONT STIFFENER CHASSIS	
31	087320616	4	TAPTITE, CUP S M3X6	
32	UH2958000	1	FRONT CHASSIS	
33	087320616	4	TAPTITE, CUP S M3X6	
34	UH2959000	1	GUIDE PLATE	

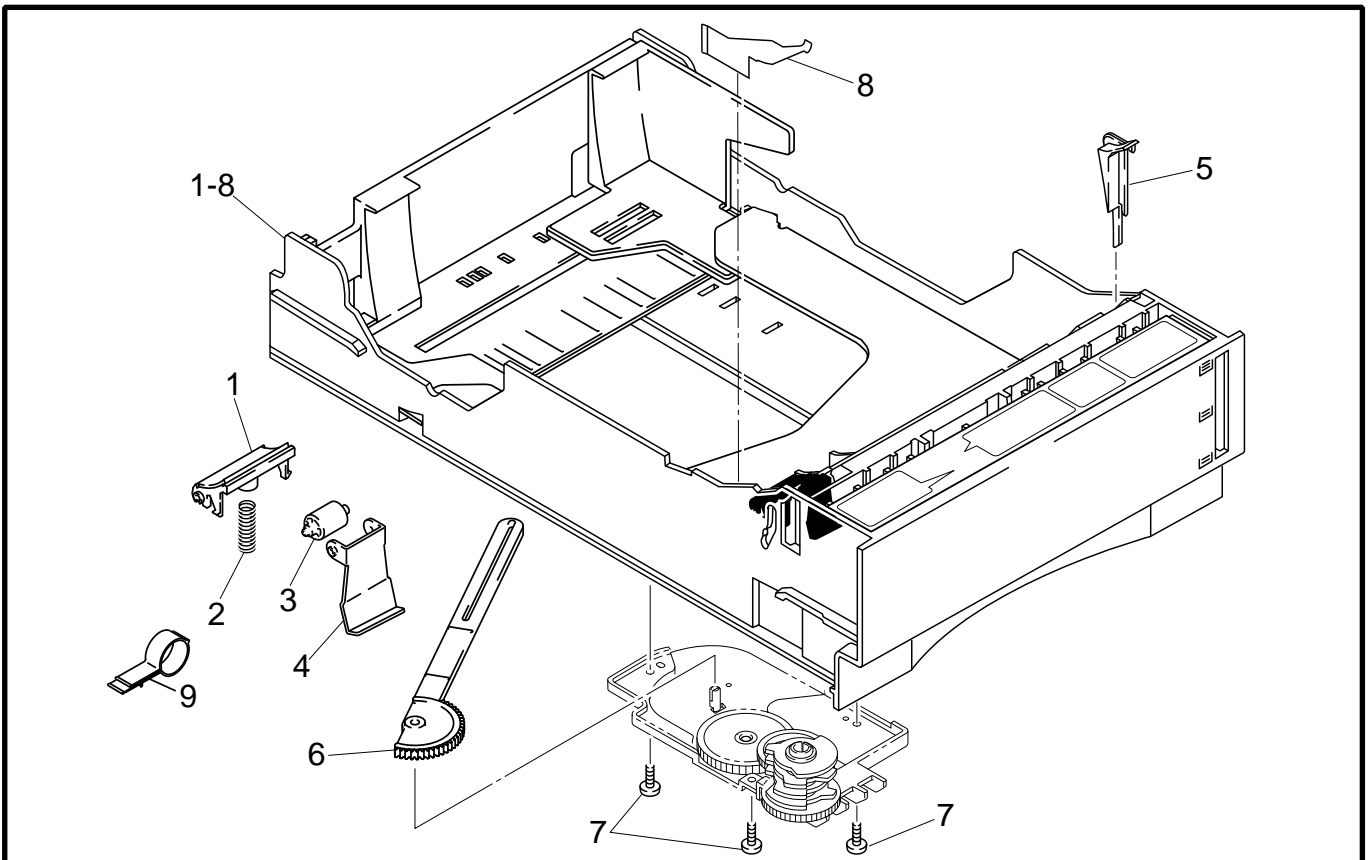
MODEL LT-1200/1600 54X-U01/U02-630

2 . PCB ASSEMBLY



MODEL LT-1200/1600 54X-U01/U02-100

3 . PAPER TRAY UNIT



MODEL LT-1200/1600 54X-U01/U02-650/651

2 . PCB ASSEMBLY

REF.NO.	SYMBOL	CODE	Q'TY	DESCRIPTION	REMARKS
1	B48K167/168-200E/100	UK2695001	1	TRAY 2 PCB ASSY, LT-1200 (SP)	
1	B48K167/168-201A/101	UK3292001	1	TRAY 2 PCB ASSY, LT-1600 (SP)	
2		UK2540000	1	MODULAR CORD 8P	
3		UH2962000	1	CLAMP:UAMS-05L-0	

MODEL LT-1200/1600 54X-U01/U02-100

3 . PAPER TRAY UNIT

REF.NO.	CODE	Q'TY	DESCRIPTION	REMARKS
1-8	UH2806001	1	PAPER TRAY UNIT SO, USA (SP) (B BRAND/GENERIC)	
1-8	UH2799001	1	PAPER TRAY UNIT S, EUR (SP) (B BRAND)	
1-8	UH2802001	1	PAPER TRAY UNIT S, CAN (SP) (B BRAND)	
1	UH2487001	1	SEPARATION PAD ASSY T	
2	UH2490001	1	SEPARATION PAD SPRING T	
3	UH2360000	1	ROLLER	
4	UH2459000	1	ROLLER HOLDER	
5	UH2469000	1	PAPER FRONT GUIDE, BLUE6155	
6	UH2463001	1	GEAR 56T LINK	
7	085310815	3	TAPTITE, BIND B M3X8	
8	UH2472001	1	TRAY GUIDE PLATE 1	
9	UH2804001	1	ADJUST KNOB STOPPER (LT-1600)	

MODEL LT-1200/1600 54X-U01/U02-650/651