



**LASER PRINTER
PARTS REFERENCE LIST**

MODEL:LT-2000

MECHANISMS & ELECTRONICS

NOTE FOR USING THIS PARTS REFERENCE LIST

1. In the case of ordering parts, it needs mentioning the following items:

- (1) Code
- (2) Q'ty
- (3) Description
- (4) Symbol (PCB No., Revision , and Parts location mounted on the PCB.)

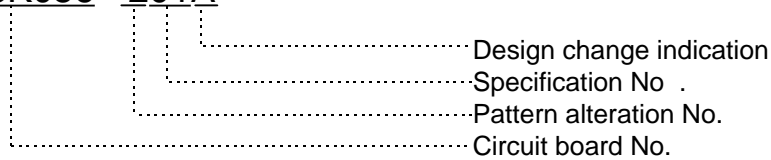
Note : No orders without Parts Code or Tool No. can be accepted.

< Example >

REF.NO.	CODE	Q'TY	DESCRIPTION	SYMBOL	REMARK

Revision No.: marked on the printed circuit board.

B48K056 - 201A



2. Design-changed parts :

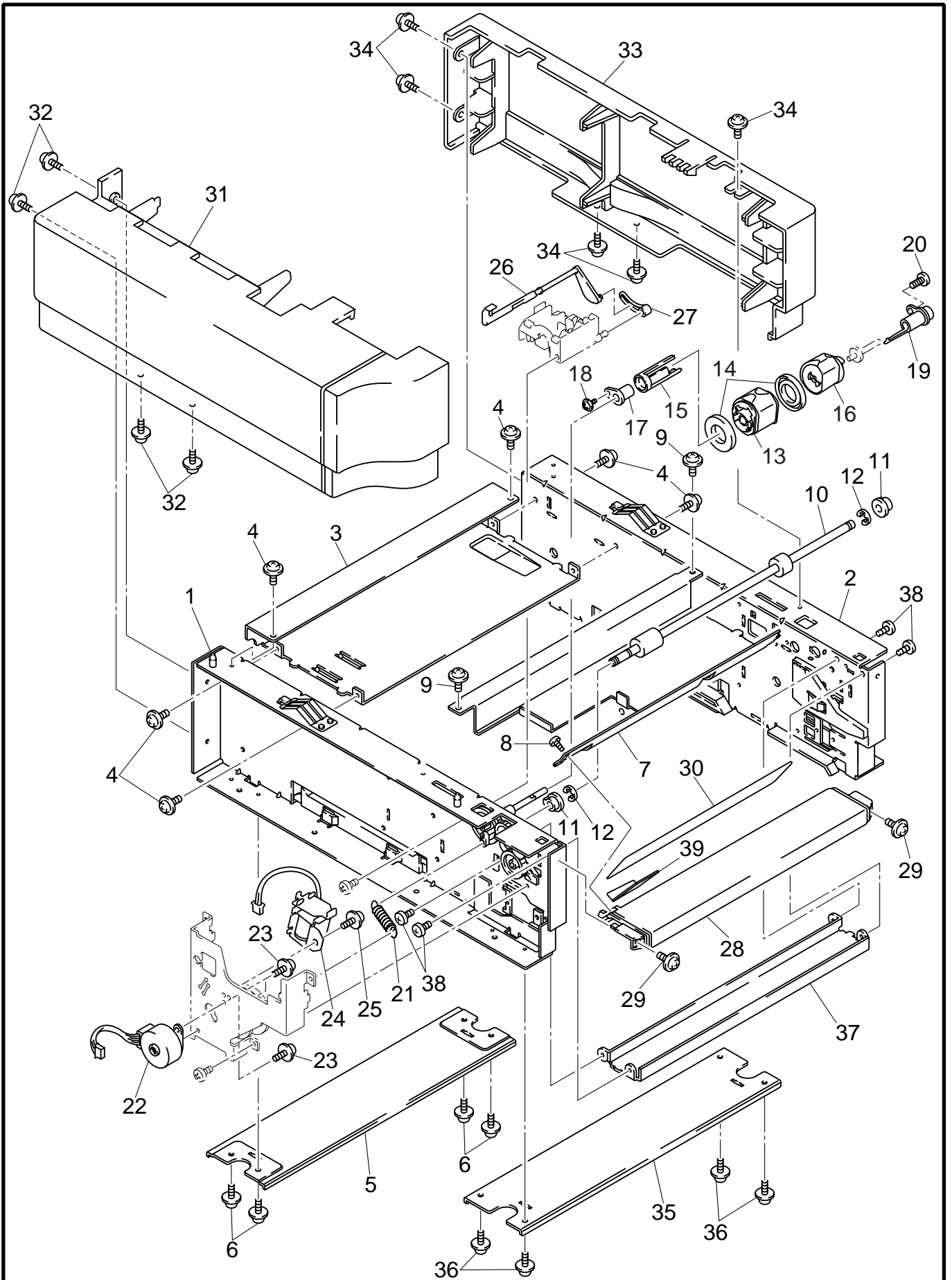
If the parts are changed, any one of the following symbols is indicated in the REMARKS column.

- #A : compatible between old and new
- #B : replaceable from old to new
- #D : incompatible
- # : newly established

3. The original of this list was made based on the information available in November, 1997.

4. Parts are subject to change in design without prior notice.

1 . FEEDER UNIT



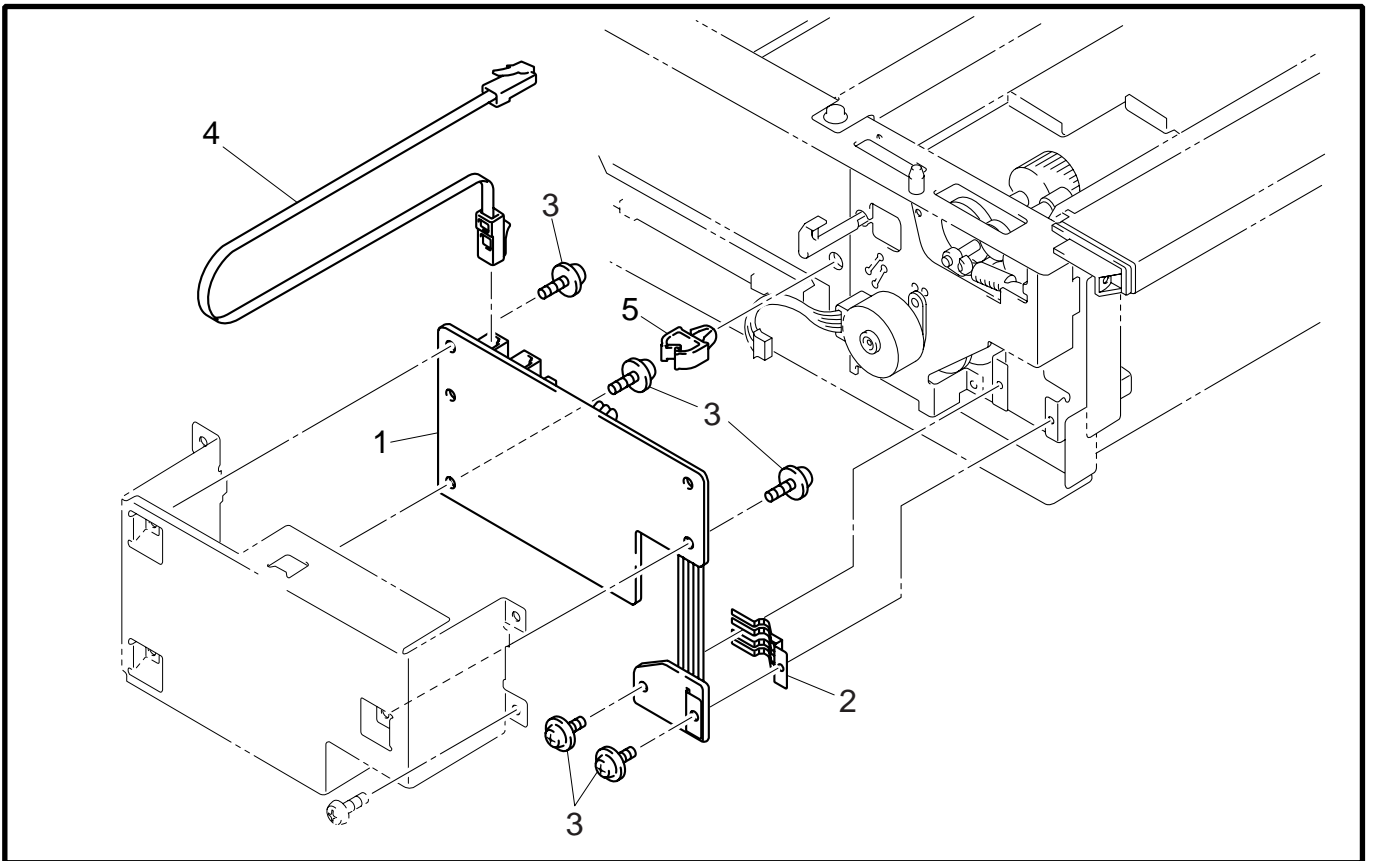
MODEL LT-2000 54T-X01-630

1. FEEDER UNIT

REF.NO.	CODE	Q'TY	DESCRIPTION	REMARK
1	UH2901001	1	FEEDER CHASSIS L ASSY	
2	UH2952001	1	FEEDER CHASSIS R ASSY	
3	UH2905000	1	STIFFENER PLATE UPPER	
4	087320616	6	TAPTITE, CUP S M3X6	
5	UH2906000	1	STIFFENER PLATE LOWER	
6	087320616	4	TAPTITE, CUP S M3X6	
7	UH1467000	1	FEEDER GUIDE OP	
8	085310615	1	TAPTITE, BIND B M3X6	
9	087320616	2	TAPTITE, CUP S M3X6	
10	UH1466001	1	FEEDER ROLLER ASSY OP	
11	UH2960000	2	BEARING S	
12	048040346	2	RETAINING RING, E4	
13	UH2821001	1	PAPER PICK-UP ROLLER ASSY 3	
14	UH1487001	2	PAPER ROLLER COLLAR LOW	
15	UH1477001	1	COLLAR STOPPER	
16	UH1494001	1	PAPER PICK-UP ROLLER ASSY 5	
17	UH2366000	1	BEARING	
18	085320616	1	TAPTITE, BIND S M3X6	
19	UH1497001	1	BEARING R	
20	087320616	1	TAPTITE, CUP S M3X6	
21	UH2967000	1	SPRING, EXTENSION	
22	UH1565001	1	PAPER FEED MOTOR ASSY	
23	087320616	2	TAPTITE, CUP S M3X6	
24	UH2369001	1	PAPER PICK-UP SOLENOID	
25	087320616	1	TAPTITE, CUP S M3X6	
26	UH2911000	1	PAPER EMPTY SENSOR ACTUATOR	
27	UH2381000	1	PE ACTUATOR LINK	
28	UH2913000	1	FRONT COVER, GRAY1227	
29	087320616	2	TAPTITE, CUP S M3X6	
30	UH2918001	1	PAPER PATH FILM	
31	UH2914000	1	SIDE COVER L, GRAY1227	
32	087320616	4	TAPTITE, CUP S M3X6	
33	UH2915000	1	SIDE COVER R, GRAY1227	
34	087320616	5	TAPTITE, CUP S M3X6	
35	UH2957000	1	FRONT STIFFENER CHASSIS	
36	087320616	4	TAPTITE, CUP S M3X6	
37	UH2958000	1	FRONT CHASSIS	
38	087320616	4	TAPTITE, CUP S M3X6	
39	UH2959000	1	GUIDE PLATE	

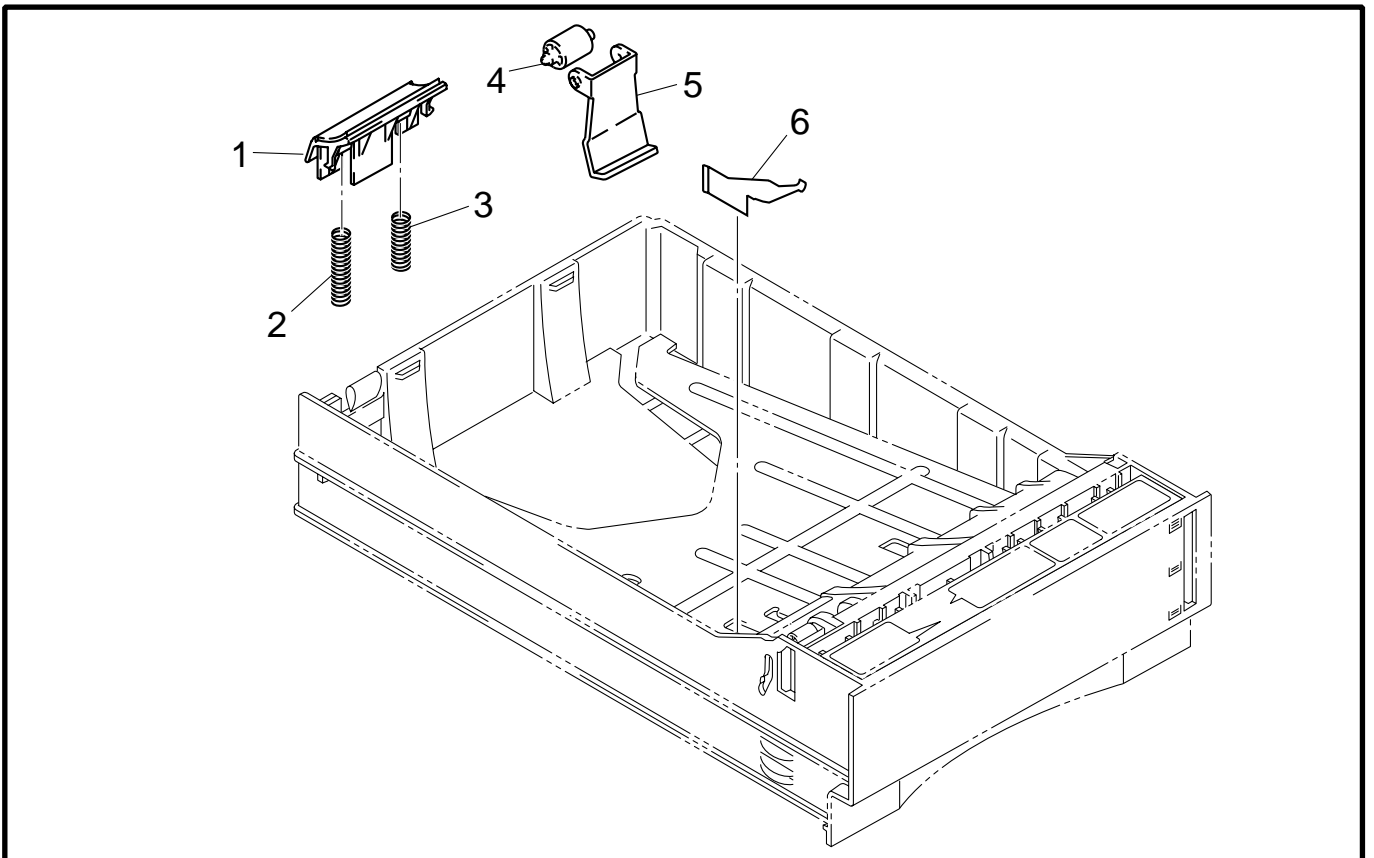
MODEL LT-2000 54T-X01-630

2 . PCB ASSEMBLY



MODEL LT-2000 54T-X01-100

3 . PAPER TRAY UNIT



MODEL LT-2000 54T-X01-650/651

2. PCB ASSEMBLY

REF.NO.	CODE	Q'TY	DESCRIPTION	SYMBOL	REMARK
1	UK4117001	1	TRAY 2 PCB ASSY (SP)		
2	UH2410000	1	SIZE SWITCH SPRING		
3	087320616	3	TAPTITE, CUP S M3X6		
4	UK2540000	1	MODULAR CORD 8P		
5	UH2962000	1	CLAMP:UAMS-05L-0		

MODEL LT-2000 54T-X01-100

3. PAPER TRAY

REF.NO.	CODE	Q'TY	DESCRIPTION	REMARK
1	UH1500001	1	SEPARATION PAD ASSY W	
2	UH1582001	1	SEPARATION PAD SPRING 100	
3	UH1583001	1	SEPARATION PAD SPRING 50	
4	UH2360000	1	ROLLER	
5	UH2459000	1	ROLLER HOLDER	
6	UH2472001	1	TRAY GUIDE PLATE 1	

MODEL LT-2000 54T-X01-650