



**Lower Tray Unit for HL-3400CN
Color Laser Printer**

PARTS REFERENCE LIST

MODEL: LT-34CL

Read this list thoroughly before maintenance work.
Keep this list in a convenient place for quick and easy reference at all times.

March, 2000
PL-PRN007

NOTE FOR USING THIS PARTS REFERENCE LIST

1. In the case of ordering parts, it needs mentioning the following items:

- (1) Code
- (2) Q'ty
- (3) Description

Note : No orders without Parts Code can be accepted.

< Example >

REF.NO.	(1) CODE	(2) Q'TY	(3) DESCRIPTION	REMARK

2. Design-changed parts :

If the parts are changed, any one of the following symbols is indicated in the REMARKS column.

- #A : compatible between old and new
- #B : replaceable from old to new
- #D : incompatible
- # : newly established

3. The original of this list was made based on the information available in March, 2000.

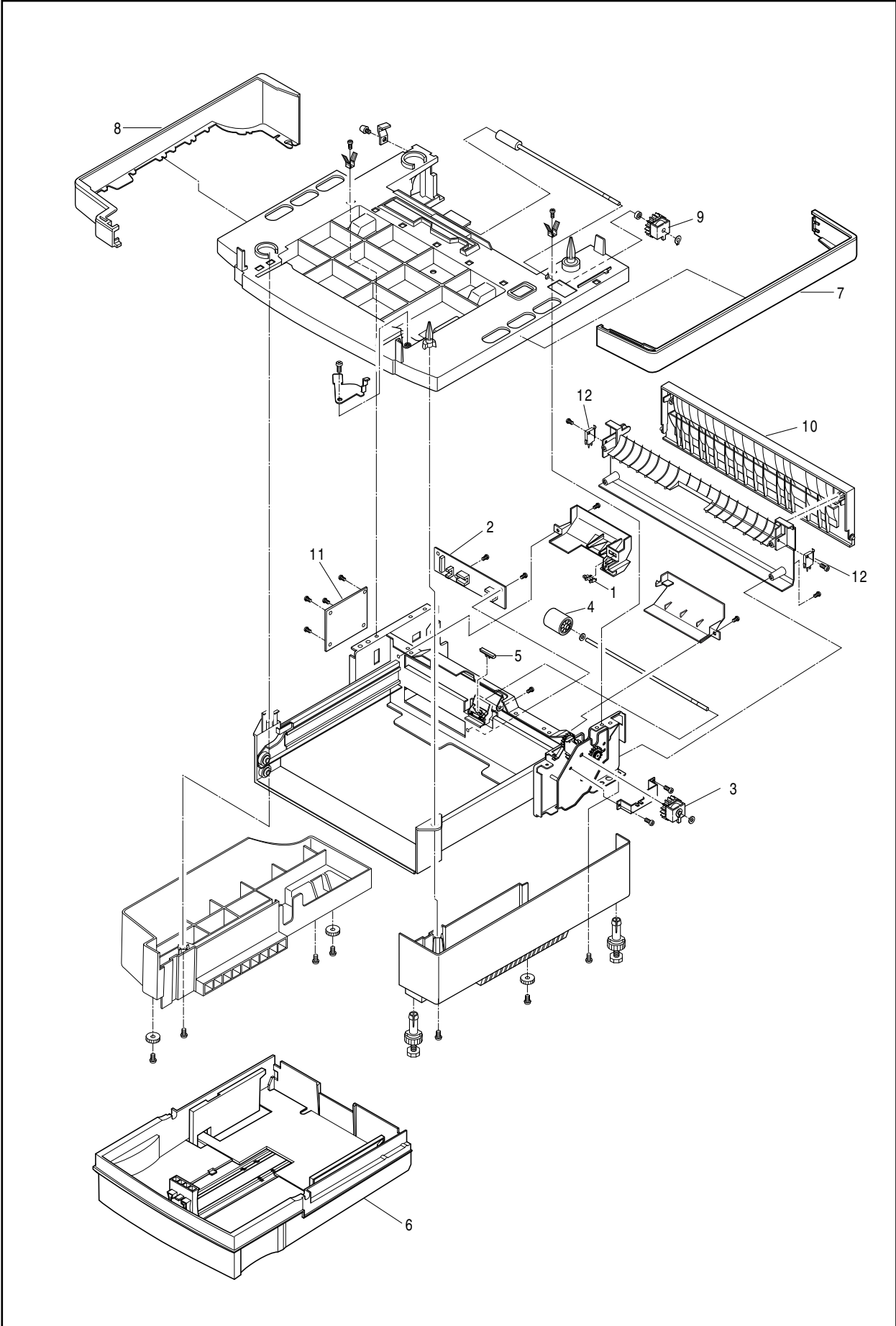
4. Parts are subject to change in design without prior notice.

LOWER TRAY UNIT

REF.NO	CODE	Q'TY	DESCRIPTION	REMARK
1	UH1948001	1	PAPER SENSOR	
2	LJ2239001	1	PAPER SIZE SENSOR 3	
3	UH3494001	1	PAPER FEEDING CLUTCH	
4	UH3485001	1	PAPER FEEDING ROLLER	
5	LJ2317001	1	SEPARATOR PAD (2)	
6	LJ2189001	1	LF PAPER CASSETTE 3	
7	LJ2053001	1	LF3 SIDE COVER R	
8	LJ2136001	1	LF3 SIDE COVER L	
9	LJ2175001	1	LF3 CLUTCH D	
10	LJ2265001	1	LF3 REAR COVER ASSY	
11	LJ2188001	1	IOD3 PWB	
12	UH1946001	2	INTERLOCK SWITCH	

MODEL LT-34CL 54S-X16

GENERAL DRAWING



MODEL LT-34CL 54S-X16