



**Optional Lower Tray Unit for
Laser Printer**

PARTS REFERENCE LIST

MODEL: LT-400

NOTE FOR USING THIS PARTS REFERENCE LIST

1. In the case of ordering parts, it needs mentioning the following items:

- (1) Code
- (2) Q'ty
- (3) Description
- (4) Symbol (PCB No., Revision , and Parts location mounted on the PCB.)

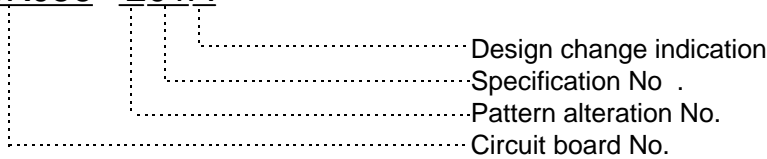
Note : No orders without Parts Code or Tool No. can be accepted.

< Example >

REF.NO.	CODE	Q'TY	DESCRIPTION	SYMBOL	REMARK

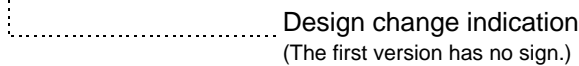
Revision No.: marked on the **main printed circuit board**.

B48K056 - 201A



Revision No.: marked on the **power supply printed circuit board**.

Rev. A



2. Design-changed parts :

If the parts are changed, any one of the following symbols is indicated in the REMARKS column.

- #A : compatible between old and new
- #B : replaceable from old to new
- #D : incompatible
- # : newly established

3. The original of this list was made based on the information available in July, 1999.

4. Parts are subject to change in design without prior notice.

1. LOWER TRAY PCB

PR99152

REF.NO.	CODE	Q'TY	DESCRIPTION	SYMBOL	REMARK
1	LJ8015001	1	LOWER TRAY PCB ASSY	B512055	
2	LJ2008001	1	CABLE, 6PIN		
3	087320616	1	TAPTITE, CUP S M3X6		

MODEL LT-400 84U-X01-100

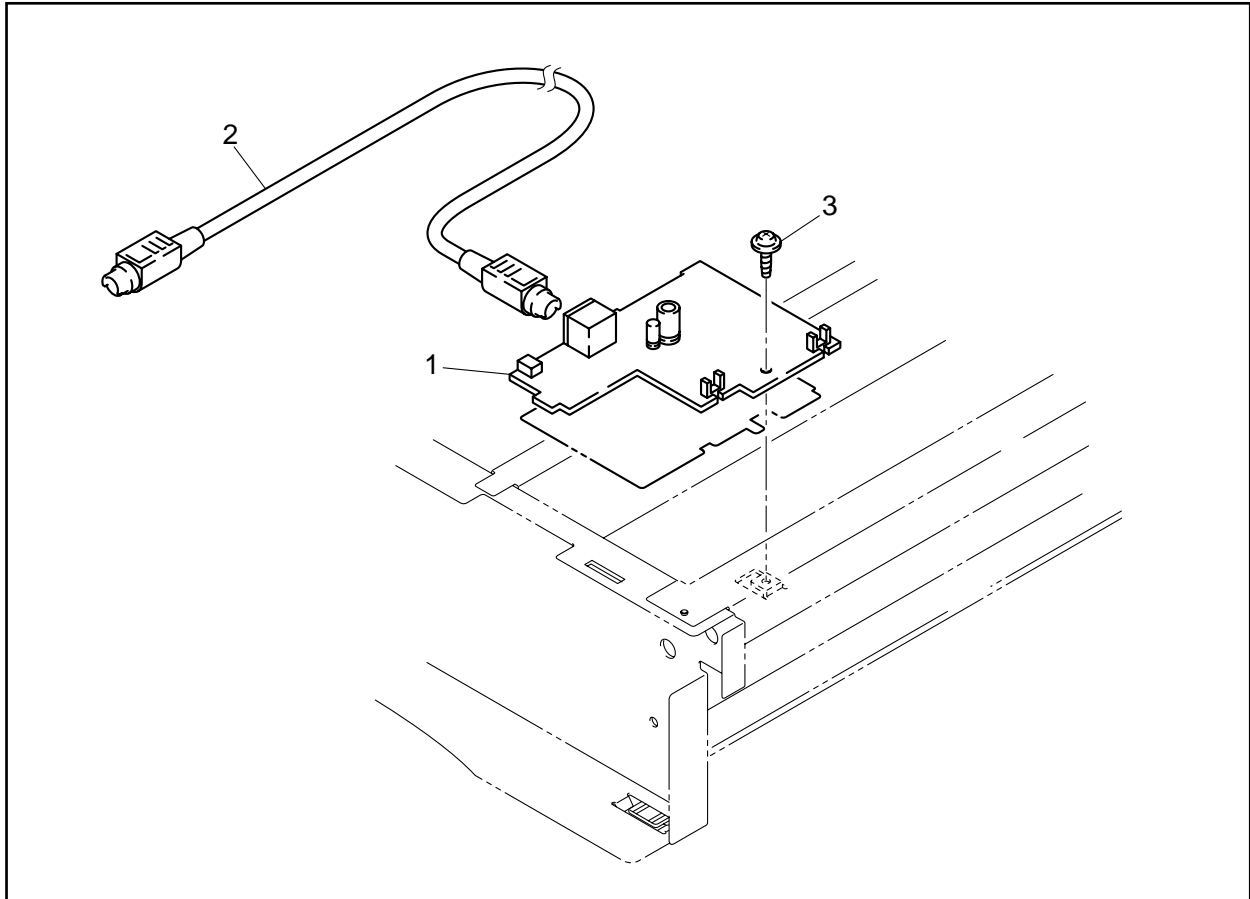
2. PAPER CASSETTE

REF.NO.	CODE	QTY	DESCRIPTION	REMARK
1	LJ4181001	1	PAPER TRAY ASSY, A4 (SP)	
1	LE1162001	1	PAPER TRAY ASSY, LGL (SP)	
1-1	UL9074001	1	PRESSURE PLATE ASSY, A4	
1-1	LJ4537001	1	PRESSURE PLATE ASSY, LGL	
1-2	UL9077001	2	PRESSURE PLATE SPRING	
1-3	UL9078001	1	SIDE GUIDE L	
1-4	UL9079001	1	SIDE GUIDE R	
1-5	U73515001	2	TAPTITE, CUP B M2.6X5	
1-6	UL9080001	2	SIDE GUIDE RACK	
1-7	UL9081001	1	SIDE GUIDE GEAR	
1-8	UL9082001	1	FRICTION SPRING	
1-9	087310815	1	TAPTITE, CUP B M3X8	
1-10	UL9083001	1	REAR PAPER GUIDE	
1-11	UL9084001	1	SEPARATION PAD HOLDER ASSY	
1-12	UL9090001	1	SEPARATION PAD SPRING	
1-13	UL9091001	1	PAPER INDICATOR	
1-14	UL9092001	1	LOCK LEVER	
1-15	LJ4196001	1	PRESSURE ROLLER HOLDER, A4	
1-15	LJ4534001	1	PRESSURE ROLLER HOLDER, LGL	ADD
1-16	LJ4195001	1	PRESSURE ROLLER COLLAR	
1-17	LJ4226001	1	PRESSURE ROLLER SHAFT	
1-18	UL9095001	1	HELICAL EXTENSION SPRING	
1-19	LJ2061001	1	PAPER TRAY COVER	
1-20	UF8709001	1	TAPTITE, TORX PAN B M3X8	
1-21	LJ4272001	1	TRAY COVER FILM	
1-22	LJ4221001	1	SCRATCH SPONGE HOLDER ASSY	
1-23	LJ4200001	2	SCRATCH SPONGE SPRING	

MODEL LT-400 84U-X01-650

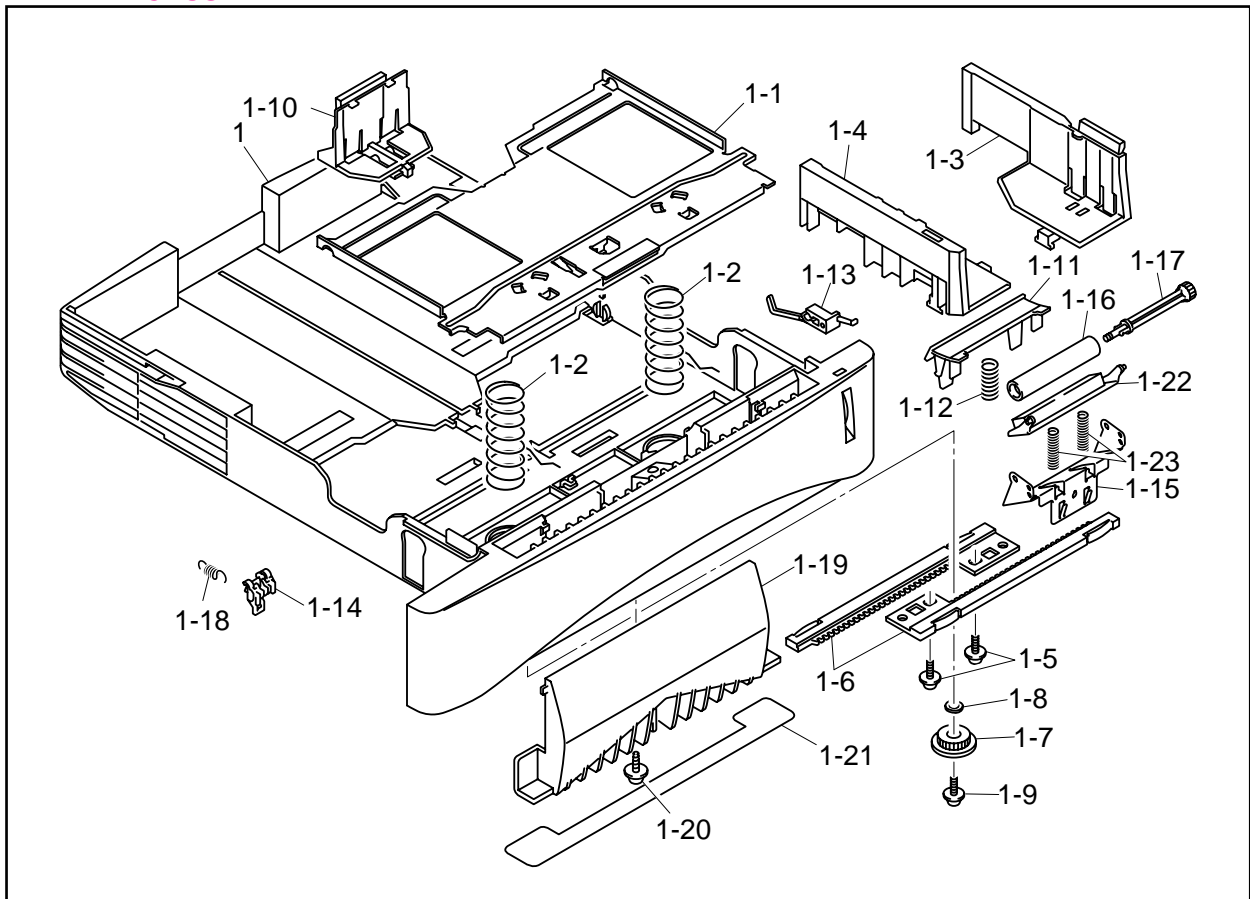
T/I NO. PR99152

1. LOWER TRAY PCB



MODEL LT-400 84U-X01-100

2. PAPER CASSETTE



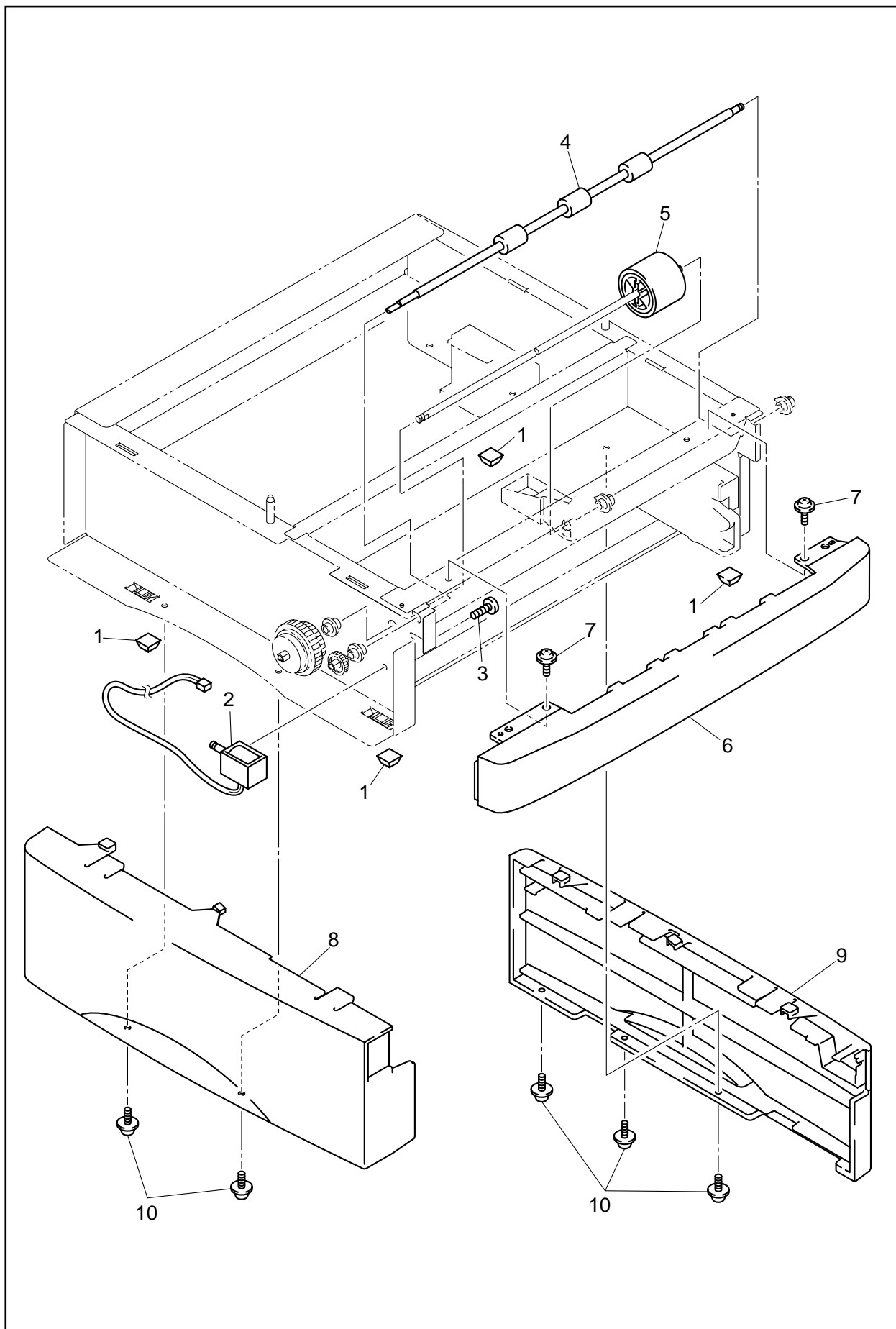
MODEL LT-400 84U-X01-650

3. PAPER FEEDER

REF.NO.	CODE	Q'TY	DESCRIPTION	REMARK
1	UL8507001	4	RUBBER FOOT	
2	LJ4069001	1	SOLENOID ASSY	
3	000300415	1	SCREW, BIND M3X4	
4	LJ2018001	1	PAPER FEED ROLLER ASSY	
5	UL9066001	1	PAPER PICK UP ROLLER ASSY	
6	LJ2026001	1	FRONT COVER ASSY	
7	087320616	2	TAPTITE, CUP S M3X6	
8	LJ2031001	1	SIDE COVER L	
9	LJ2032001	1	SIDE COVER R	
10	087321015	5	TAPTITE, CUP S M3X10	

MODEL LT-400 84U-X01-630

3. PAPER FEEDER



MODEL LT-400 84U-X01-630