



FACSIMILE EQUIPMENT

PARTS REFERENCE LIST

MODEL: MFC580

**(For Germany / United Kingdom / France /
Belgium / Netherlands /
Switzerland / Ireland / Denmark /
Austria / Spain / Italy / Euro Generic /
Pan Nordic)**

NOTES FOR USING THIS PARTS REFERENCE LIST

1. In the case of ordering parts, it needs mentioning the following items:

- (1) Code
- (2) Q' ty
- (3) Description

Note: No orders without Parts Code or Tool No. can be accepted.

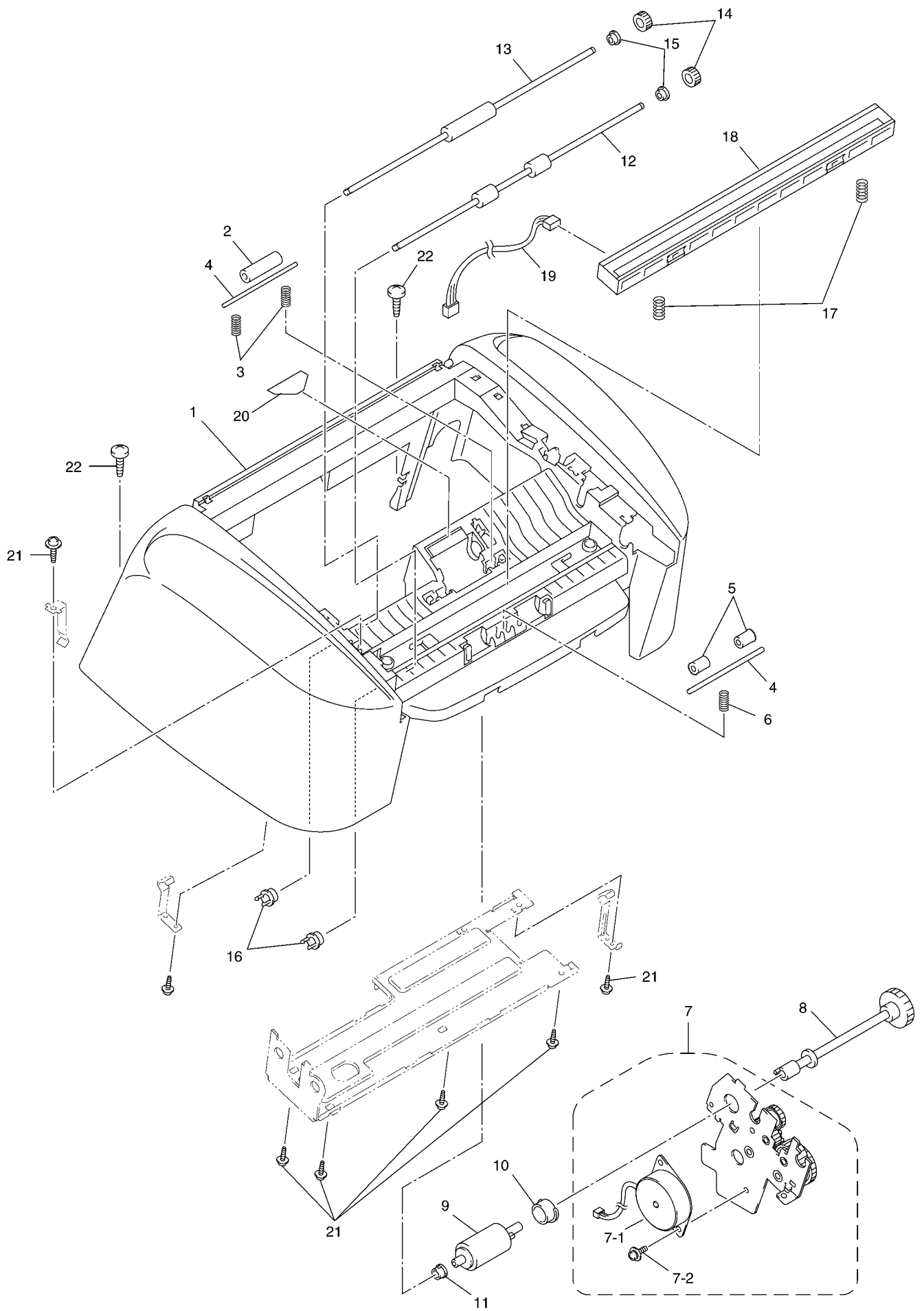
[Example]

REF.NO.	(1) CODE	(2) Q' TY	(3) DESCRIPTION	RECOMMEND	REMARKS

2. Parts change will be informed by the technical information.

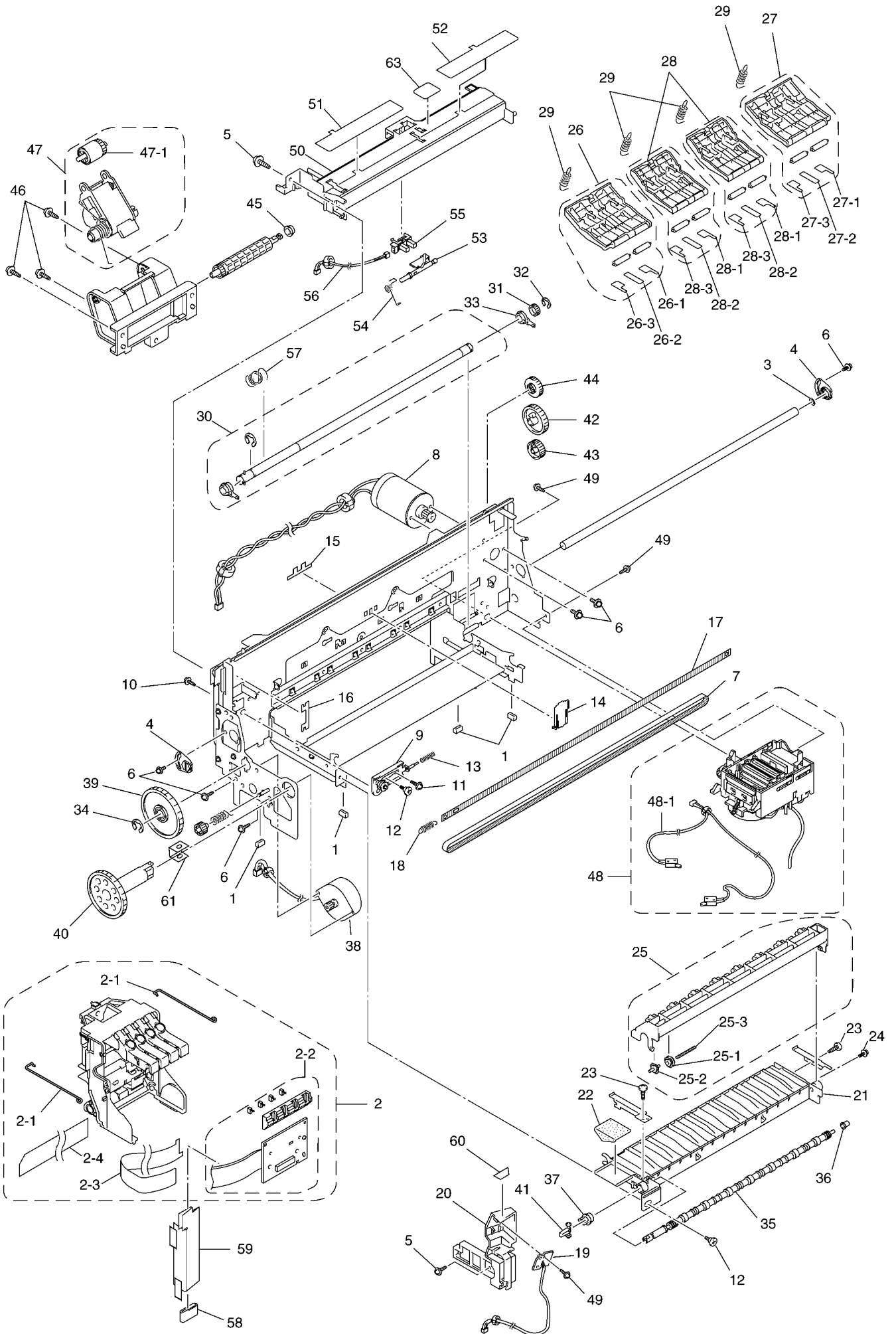
COUNTRIES

GERMANY ---- GER
UNITED KINGDOM ---- UK
FRANCE ---- FRA
BELGIUM ---- BEL
NETHERLANDS ---- NLD
SWITZERLAND ---- CHE
IRELAND ---- IRE
DENMARK ---- DEN
AUSTRIA ---- AUS
SPAIN ---- SPA
ITALY ---- ITA
EURO GENERIC ---- GNR
PAN NORDIC ---- NOR



LIST1 (SCANNER)

REF No.	CODE	QTY	DESCRIPTION	RECOMMEND	REMARK
1	LE6124001	1	UPPER COVER, GRAY(1495)		
2	UU0021001	1	PRESSURE ROLLER		
3	LE2472001	2	PRESSURE ROLLER SPRING		
4	LE2471001	2	PRESSURE ROLLER SHAFT		
5	UL6244002	2	PINCH ROLLER		
6	LE6126001	1	PINCH ROLLER SPRING		
7	LE6127001	1	SCANNER DRIVE UNIT		
7-1	LE6130001	1	SCANNER MOTOR		
7-2	0A4300605	1	SCREW, PAN (S/P WASHER) M3X6		
8	UU7030001	1	SEPARATION ROLLER GEAR		
9	UU7031001	1	SEPARATION ROLLER		
10	LE6325001	1	BUSHING 12		
11	LE6326001	1	BUSHING 6		
12	LE6301001	1	DOCUMENT EJECTION ROLLER		
13	LE6302001	1	DOCUMENT FEED ROLLER		
14	UU7039001	2	GEAR 27		
15	UF8105001	2	CONDUCTIVE BUSHING		
16	UF0026001	2	PAWLED PLASTIC BUSHING		
17	UU2028001	2	CIS SPRING		
18	LG3117001	1	CIS UNIT, COLOR	1	
19	LG3118001	1	CIS HARNESS		
20	LE6479001	1	SEPARATION ROLLER FILM		
21	087311016	6	TAPTITE, CUP B M3X10		
22	085411216	2	TAPTITE, BIND B M4X12		



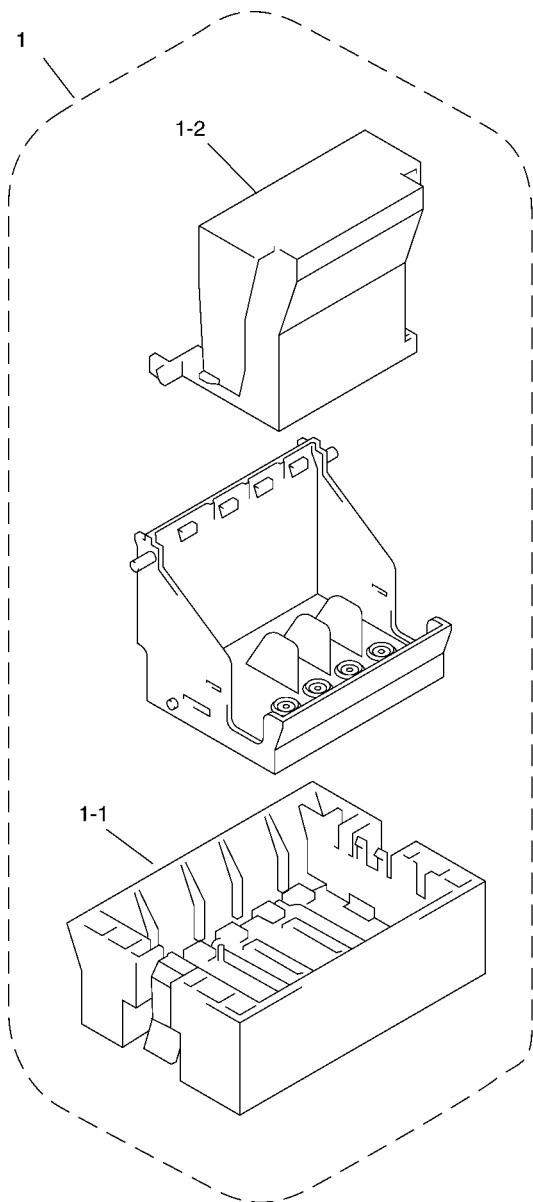
LIST2(ENGINE)

* You have to use the same color spare part with the original part for the replacement.

REF No.	CODE	QTY	DESCRIPTION	RECOMMEND	REMARK
1	LE6053001	4	RUBBER BUSH		
2	LE6198001	1	CARRIAGE ASSY		
2-1	LE6062001	2	HEAD CLAMP SPRING		
2-2	LE6715001	1	CARRIAGE PCB ASSY	1	
3	LE6421001	1	WAVY WASHER		
4	LE6722001	2	ECCENTRIC BUSHING		
5	087320616	2	TAPTITE, CUP S M3X6		
6	0A5300605	4	SCREW, PAN (S/P WASHER) M3X6		
7	LE6074001	1	TIMING BELT		
8	LE6434001	1	CARRIAGE MOTOR		
9	LE6424001	1	IDLE PULLEY HOLDER ASSY		
10	087320616	1	TAPTITE, CUP S M3X6		
11	0A5300805	1	SCREW, PAN (S/P WASHER) M3X8		
12	UF9823001	2	SHOULDER SCREW		
13	LE3171001	1	PULLEY SPRING		
14	LE6078001	1	FLAT CABLE CLAMP		
15	LE6571001	1	CABLE CLAMP STOPPER FILM		
16	LE6152001	1	FFC CLAMP FILM		
17	LE6425001	1	ENCODER STRIP		
18	UD6012001	1	ENCODER STRIP SPRING		
19	LG3124001	1	INK EMPTY SENSOR PCB		
20	LE6081001	1	SENSOR SUPPORT		
21	LE6082001	1	PLATEN		
22	LE6385001	1	FLUSHING SPONGE		
23	085271015	2	TAPTITE, BIND B M2.6X10		
24	085311015	1	SCREW, BIND B TITE 3X10		
25	LE6430001	1	STAR WHEEL SUPPORT ASSY		
25-1	LE6504001	7	STAR WHEEL W		
25-2	LE6805001	8	STAR WHEEL B		
25-3	LE6107001	7	STAR WHEEL SPRING		
26	LE6427001	1	PRESSURE ROLLER HOLDER L ASSY		
26-1	LE6390001	1	PRESSURE HOLDER FILM A		
26-2	LE6391001	1	PRESSURE HOLDER FILM B		
26-3	LE6392001	1	PRESSURE HOLDER FILM C		
27	LE6428001	1	PRESSURE ROLLER HOLDER R ASSY		
27-1	LE6390001	1	PRESSURE HOLDER FILM A		
27-2	LE6391001	1	PRESSURE HOLDER FILM B		
27-3	LE6392001	1	PRESSURE HOLDER FILM C		
28	LE6429001	2	PRESSURE ROLLER HOLDER ASSY		
28-1	LE6390001	1	PRESSURE HOLDER FILM A		
28-2	LE6391001	1	PRESSURE HOLDER FILM B		
28-3	LE6392001	1	PRESSURE HOLDER FILM C		
29	LE6090001	4	PRESSURE ROLLER SPRING		
*30	LE6091003	1	PAPER FEED ROLLER ASSY, RED (INCLUDING PF BUSHING L)		
*30	LE6091004	1	PAPER FEED ROLLER ASSY, BLUE (INCLUDING PF BUSHING L)		
31	LE6093001	1	PF ROLLER GEAR R		
32	LE6121001	1	RETAINING RING, EXTERNAL C5		
33	LE6095001	1	PF BUSHING R		
34	LE6122001	1	RETAINING RING, EXTERNAL C8		
35	LE6096001	1	PAPER EJECTION ROLLER ASSY		
36	UU1290001	1	CONDUCTIVE BUSHING		
37	UF9949001	1	EJECTION ROLLER BUSHING		
38	LE6489001	1	PAPER FEED MOTOR ASSY		
39	LE6101001	1	PF ROLLER GEAR		
40	LE6103001	1	PAPER EJECTION ROLLER GEAR		
41	LE6104001	1	JOINT		
42	UF8034001	1	GEAR,39		
43	LE6108001	1	GEAR, 25		
44	LE6109001	1	GEAR, 31 MF		
45	UF8105001	1	CONDUCTIVE BUSHING		
46	087320616	3	TAPTITE, CUP S M3X6		
47	LE6576001	1	GEAR HOLDER ASSY		
47-1	LE3432001	1	ASF ROLLER		
48	LE6002001	1	PURGE UNIT ASSY	1	
48-1	LG3083001	1	PURGE SWITCH ASSY		
49	087310815	3	TAPTITE, CUP B M3X8		
50	LE6134001	1	PAPER CHUTE		
51	LE6393001	1	CHUTE FILM L		
52	LE6394001	1	CHUTE FILM R		
53	LE3194001	1	REGISTRATION SENSOR ACTUATOR		
54	LE6153001	1	TORSION SPRING 7.2X140		

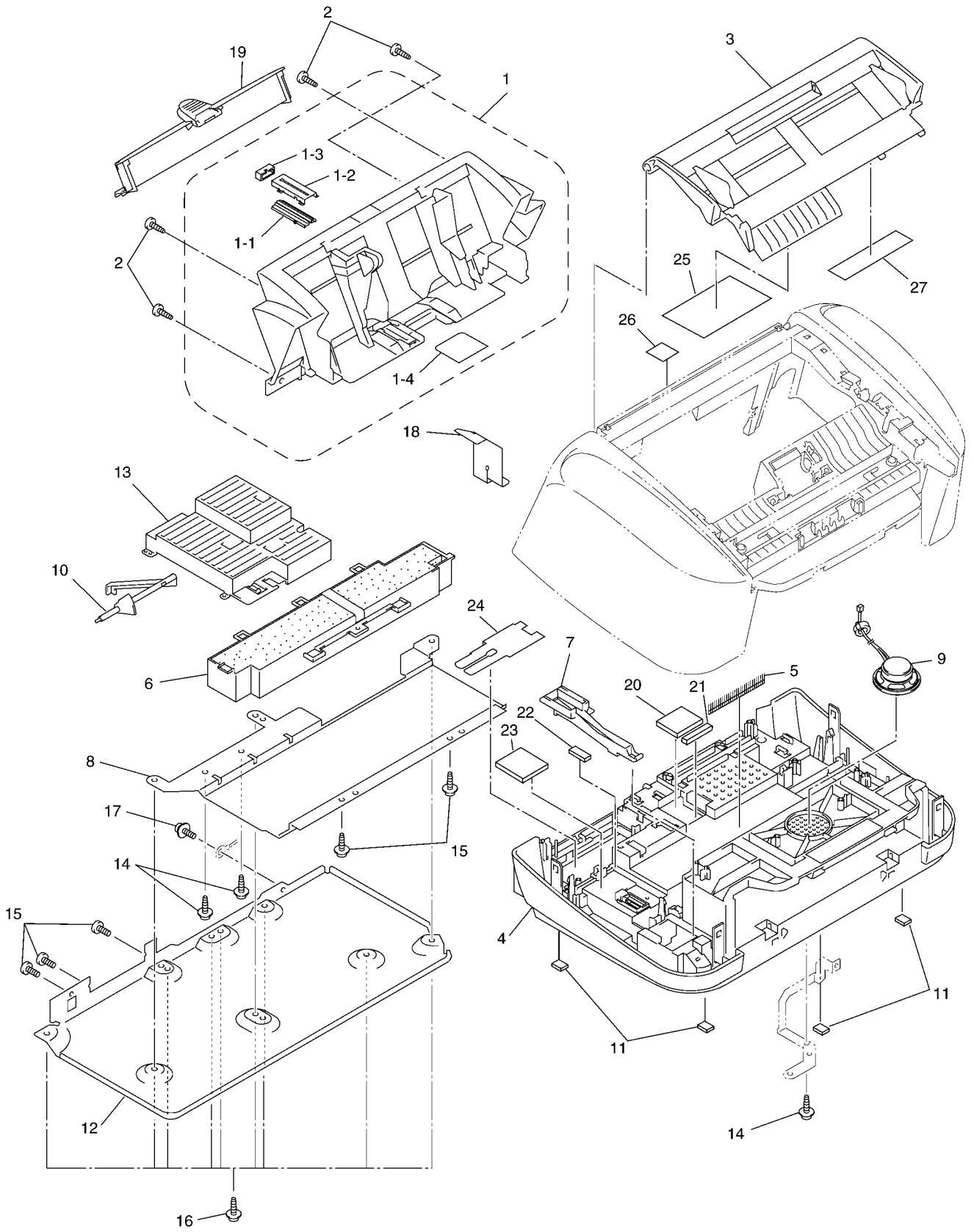
LIST2(ENGINE)

REF No.	CODE	QTY	DESCRIPTION	RECOMMEND	REMARK
55	LG2239001	1	REGISTRATION SENSOR		
56	LG3156001	1	REGISTRATION SENSOR HARNESS		
57	LE6356001	1	PF SPRING		
58	UG5577000	1	FLAT CORE		
59	LE6438001	1	FLAT CABLE GUIDE		
60	LE6440001	1	INK EMPTY SENSOR LIGHT BLOCK FILM		
61	LE6626001	1	SUPPORT SPRING		
62	0A5300805	2	SCREW, PAN (S/P WASHER) M3X6		
63	LE6863001	1	CHUTE FILM		<addtion>



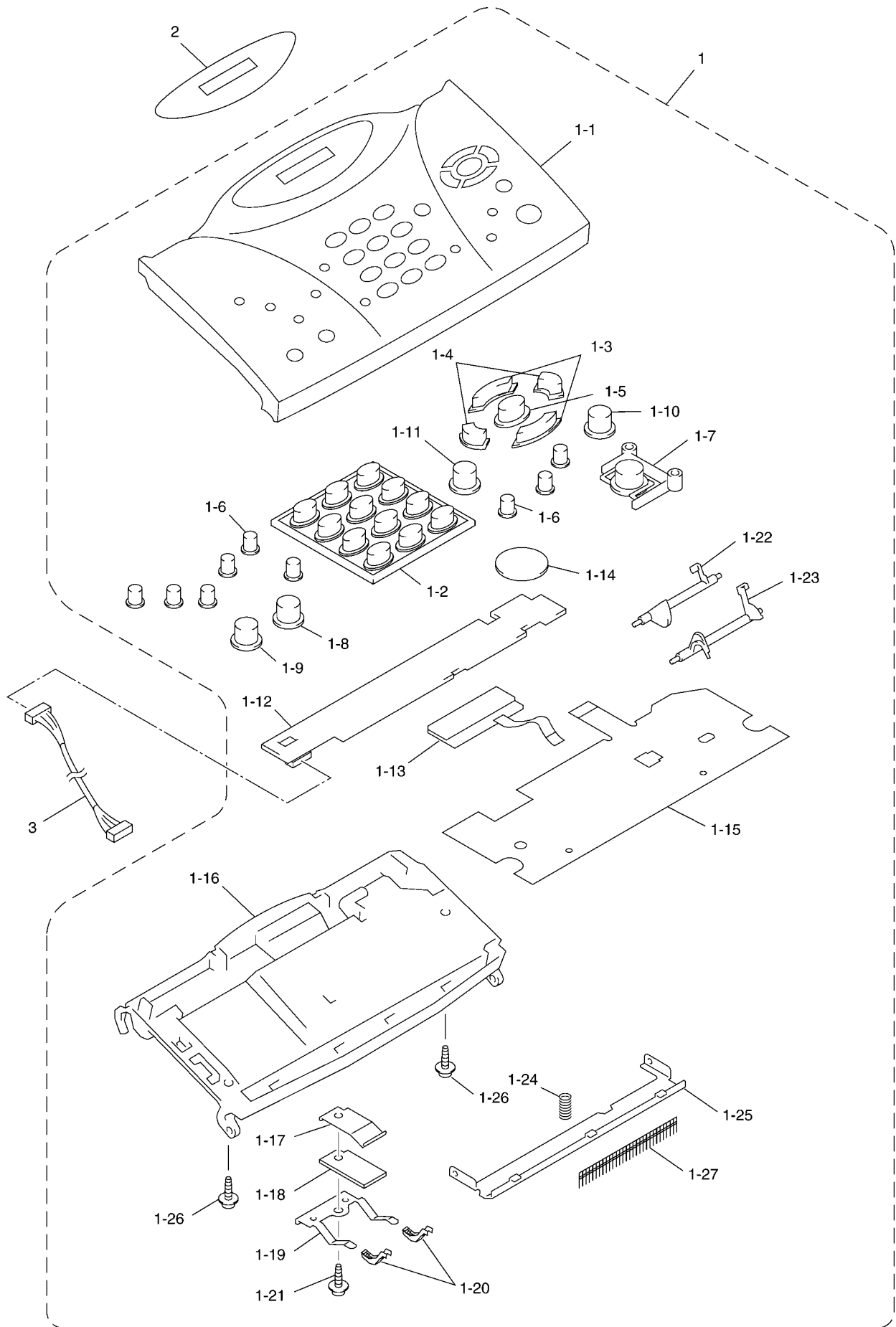
LIST3(HEAD UNIT)

REF No.	CODE	Q'TY	DESCRIPTION	RECOMMEND	REMARK
1	LK0517001	1	PRINT HEAD (SP)	1	
1-1	LK0516001	1	NOZZLE PROTECTOR SEALS(SP)	1	
1-2	LK0536001	1	HEAD FILTER SEALS(SP)	1	



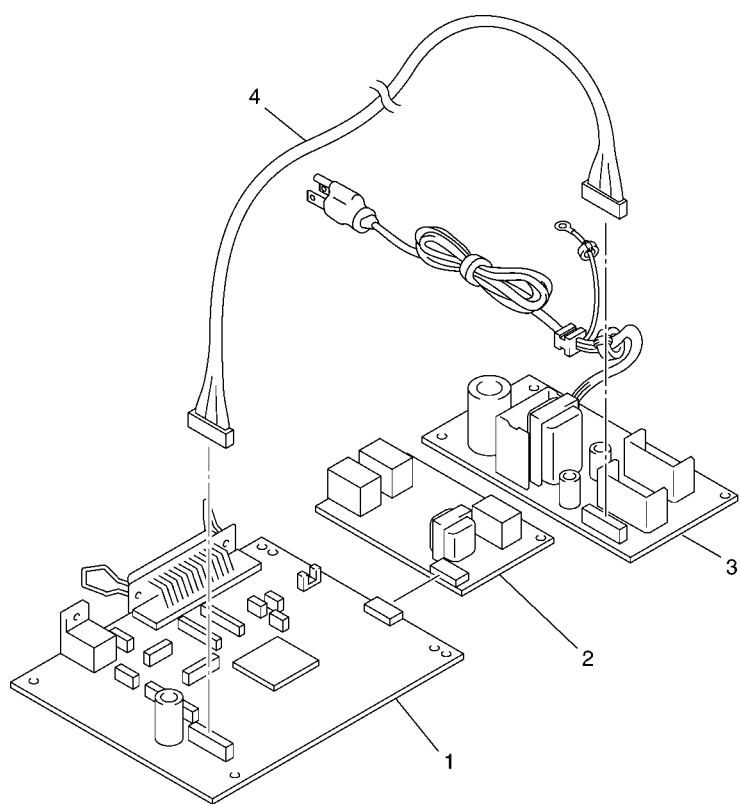
LIST4(COVER)

REF No.	CODE	Q'TY	DESCRIPTION	RECOMMEND	REMARK
1	LE6135001	1	ACF ASSY, GRAY(1495)		
1-1	LE3254001	1	SEPARATION PAD		
1-2	LE3255001	1	SEPARATION PAD HOLDER		
1-3	LE3434001	1	HOLDER CAP		
1-4	LE6442001	1	ACF FILM		
2	085411216	4	TAPTITE, BIND B M4X12		
3	LE6143001	1	TOP COVER ASSY, GRAY(1495)		
4	LE6671001	1	LOWER COVER		
5	LE6568001	1	ANTI-STATIC BRUSH		
6	LE6148001	1	INK ABSORBER BOX ASSY		
7	LE6463001	1	FLUSHING BOX ASSY		
8	LE6322001	1	BOTTOM SHIELD PLATE		
9	----		NOT USED		
10	LE6154001	1	PAPER WIDTH SENSOR ACTUATOR		
11	LE6185001	4	RUBBER FOOT		
12	LE6824001	1	BOTTOM PLATE		
13	LE6156001	1	ENCLOSURE COVER		
14	087320516	3	TAPTITE, CUP S M3X5		
15	002300616	3	SCREW, PAN M3X6		
16	087311216	11	TAPTITE, CUP B M3X12		
17	UF6559001	1	SCREW, PAN (WASHER) M4X8DB		
18	LE6813001	1	FENCE FILM		
19	LE6142001	1	JAM CLEAR COVER		
20	LE6553001	1	INK FENCE A		
21	LE6554001	1	INK FENCE B		
22	LE6555001	1	INK FENCE C		
23	LE6556001	1	INK FENCE D		
24	LE6557001	1	PCB COVER SHEET		
25	LE6160001	1	INK REPLACEMENT INSTRUCTION LABEL		
26	LE6525001	1	JAM MARK LABEL		
27	LE6649001	1	CONSUMABLE LABEL		
(28)	UU0456001	1	PROTECTION PAPER		
(29)	----		NOT USED		
(30)	----		NOT USED		
(31)	----		NOT USED		
(32)	----		NOT USED		
(33)	UF5745000	1	MJ COVER, EXT FOR GER/UK/FRA/BEL/DEN/AUS/ITA		



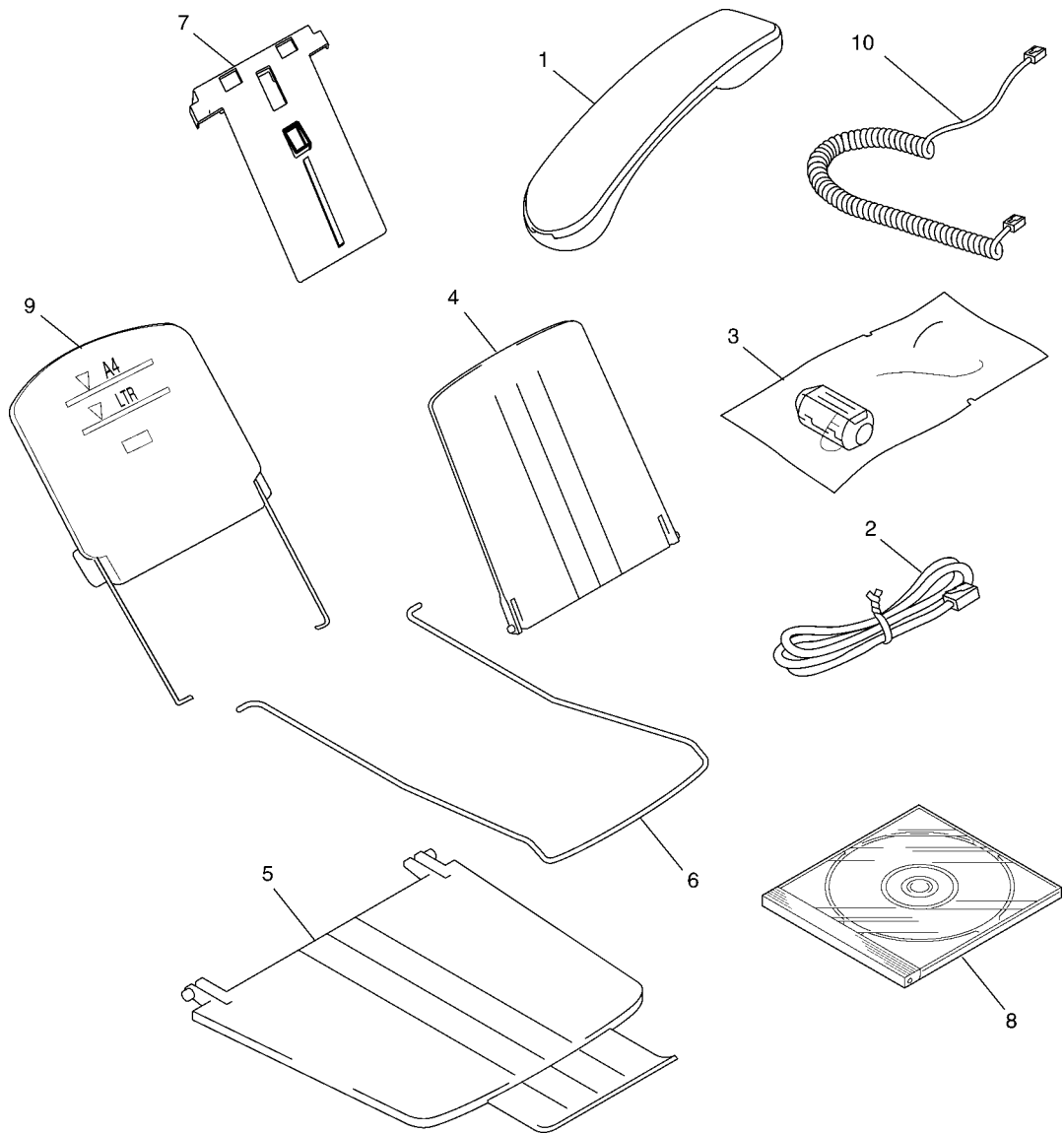
LIST5(CONTROL PANEL)

REF No.	CODE	QTY	DESCRIPTION	RECOMMEND	REMARK
1	LE6346001	1	CONTROL PANEL ASSY, MFC580 FOR GER/AUS	1	
1	LE6338001	1	CONTROL PANEL ASSY, MFC580 FOR UK/BEL/CHE/IRE/GNR	1	
1	LE6348001	1	CONTROL PANEL ASSY, MFC580 FOR FRA	1	
1	LE6781001	1	CONTROL PANEL ASSY, MFC580 FOR NLD	1	
1	LE6788001	1	CONTROL PANEL ASSY, MFC580 FOR DEN/NOR	1	
1	LE6793001	1	CONTROL PANEL ASSY, MFC580 FOR SPA	1	
1	LE6797001	1	CONTROL PANEL ASSY, MFC580 FOR ITA	1	
1-1	LE6347001	1	CONTROL PANEL, MFC580 FOR GER/AUS		
1-1	LE6339001	1	CONTROL PANEL, MFC580 FOR UK		
1-1	LE6349001	1	CONTROL PANEL, MFC580 FOR FRA		
1-1	LE6782001	1	CONTROL PANEL, MFC580 FOR NLD		
1-1	LE6789001	1	CONTROL PANEL, MFC580 FOR DEN/NOR		
1-1	LE6794001	1	CONTROL PANEL, MFC580 FOR SPA		
1-1	LE6798001	1	CONTROL PANEL, MFC580 FOR ITA		
1-2	LE4073003	1	KEY, TEN, GRAY(1495)		
1-3	LE6168001	2	KEY, CURSOR L, PURPLE(6255)		
1-4	LE6169001	2	KEY, CURSOR S, PURPLE(6255)		
1-5	LE6350001	1	KEY, MENU, MFC580 FOR GER/AUS		
1-5	LE6079001	1	KEY, MENU, MFC580 FOR UK/FRA/BEL/NLD/CHE/IRE/DEN/SPA/ITA/GNR/NOR		
1-6	LE3295001	9	KEY, CYLINDER 6, GRAY(1495), MFC580 FOR GER		
1-7	LE9228003	1	KEY, BLACK FAX START, GRAY(1496)		
1-8	LE6171005	1	KEY, BLACK COPY, GRAY(1496)		
1-9	LE6171002	1	KEY, COLOR COPY, GREEN(5159)		
1-10	LE6171003	1	KEY, COLOR FAX START, PURPLE(6255)		
1-11	LE6171004	1	KEY, STOP, PINK(2205)		
1-12	LG3127001	1	CONTROL PANEL PCB ASSY, MFC580		
1-13	LG2567001	1	LCD		
1-14	UG3803000	1	PIEZO RINGER		
1-15	LG3258001	1	FPC KEY		
1-16	LE6174001	1	PANEL REAR COVER		
1-17	LE3330001	1	ADF SPRING PLATE B		
1-18	LE3299001	1	SEPARATION RUBBER		
1-19	LE3300001	1	ADF SPRING PLATE A		
1-20	LE3323001	2	ADF GUIDE CAP		
1-21	UF5034001	1	TAPTITE, B 3X6		
1-22	LE6176001	1	DOCUMENT FRONT SENSOR ACTUATOR		
1-23	LE6177001	1	DOCUMENT REAR SENSOR ACTUATOR		
1-24	UU2057001	1	DOCUMENT PRESSURE BAR SPRING		
1-25	LE6652001	1	DOCUMENT PRESSURE BAR		
1-26	087310815	2	TAPTITE, CUP B M3X8		
1-27	LE1071001	1	ANTI-STATIC BRUSH		
2	LE6340001	1	LCD SHEET, MFC580	1	
3	LG3135001	1	PANEL-MAIN HARNESS		



LIST6(PCB)

REF No.	CODE	QTY	DESCRIPTION	RECOMMEND	REMARK
1	LG3577021	1	MAIN PCB ASSY, MFC580	1	
2	LG3558001	1	NCU PCB ASSY, MFC580	1	
3	LG3666001	1	POWER SUPPLY PCB ASSY	1	
4	LG3154001	1	POWER SUPPLY HARNESS		



LIST7(Accessories)

REF No.	CODE	Q'TY	DESCRIPTION	RECOMMEND	REMARK
1	----		NOT USED		
2	UG3625001	1	TELEPHONE LINE CORD, FOR GER		
2	UG3626001	1	TELEPHONE LINE CORD, FOR UK		
2	UG3627001	1	TELEPHONE LINE CORD, FOR FRA		
2	UG1575001	1	TELEPHONE LINE CORD, FOR BEL		
2	LG3077001	1	TELEPHONE LINE CORD, FOR NLD/IRE/SPA/GNR		
2	UG3469000	1	TELEPHONE LINE CORD, FOR CHE		
2	UG3633001	1	TELEPHONE LINE CORD, FOR DEN		
2	UG4205001	1	TELEPHONE LINE CORD, FOR AUS		
2	UG3634001	1	TELEPHONE LINE CORD, FOR ITA		
2	UG3629001	1	TELEPHONE LINE CORD, FOR NOR (NORWAY)		
2	UG3635001	1	TELEPHONE LINE CORD, FOR NOR (SWEDEN)		
2	UG3632001	1	TELEPHONE LINE CORD, FOR NOR (FINLAND)		
3	LE7699001	1	FERRITE CORE ASSY, FOR GER/UK/IRE/AUS/GNR		
3	LE3602001	1	FERRITE CORE ASSY (INCL. 2 PCS) FOR FRA/BEL/NLD/CHE/DEN/SPA/ITA/NOR		
4	LE6396001	1	DOCUMENT SET TRAY ASSY, GRAY(1495)		
5	LE6398001	1	PAPER EJECT TRAY ASSY, GRAY(1495)		
6	LE3305001	1	DOCUMENT EJECTION WIRE		
7	LE6808001	1	SP ATTACHMENT BAG ASSY		
8	LE6674001	1	CD-ROM ASSY<GERMAN/ENGLISH/FRENCH>, MFC580 FOR GER/UK/FRA/BEL/CHE/IRE/AUS		
	LE6702001	1	CD-ROM ASSY<DUTCH/FRENCH/ITALIAN/SPANISH>, MFC580 FOR BEL/NLD/SPA/ITA		
8	LE6705001	1	CD-ROM ASSY <ENGLISH/NORWEGIAN/DANISH/SWEDISH>, MFC580 FOR DEN/GNR/NOR		
9	LE6823001	1	TRAY EXTENSION (W/ PAPER SUPPORT)		
10	----		NOT USED		
(11)	LK0504001	1	GLYCEROL CLEANING FLUID (INCLUDING 120CC FLUID IN A BOTTLE AND SYRINGE)	1	
(12)	LK0505001	1	INITIAL LIQUID CARTRIDGE ASSY(SP) (INCLUDING 4 CARTRIDGES)	1	
(13)	ZA0310001	1	HEAD CLEANER STICK ASSY(SP)	1	
(14)	LE6455001	1	FOAM EMPTY CARTRIDGE (FOR INK EMPTY SENSOR COMPENSATION)	1	
(15)	UF9258001	1	COLOR TEST CHART CTC-001		
16	LG2085001	1	AC CORD ASSY, FOR GER/FRA/BEL/NLD/AUS/SPA/ITA/GNR/NOR (VDE)	1	
16	LG2086001	1	AC CORD ASSY, FOR UK/IRA (BS)	1	
16	LG2087001	1	AC CORD ASSY, FOR CHE (SEV)	1	
16	LG2181001	1	AC CORD ASSY, FOR DEN (DEMCO)	1	
(17)	LG3622001	1	TELEPHONE PLUG, FOR NLD		
(18)	UG4558001	1	I/F CABLE, FOR GER/UK/IRE/AUS/GNR		

LIST8(PRINTED MATERIAL)

REF No.	CODE	Q'TY	DESCRIPTION	RECOMMEND	REMARK
(1)	LE6845003	1	OWNER'S MANUAL ASSY, MFC580 FOR GER/AUS (INCLUDING OWNER'S MANUAL(REF.No.(1-1), WARRANTY CARD, LICENSE AGREEMENT SHEET, TRAY EXTENSION(REF.No.7-9), WINXP INSERTION)	1	
(1)	LE6846004	1	OWNER'S MANUAL ASSY, MFC580 FOR UK (INCLUDING OWNER'S MANUAL(REF.No.(1-1), 3 WARRANTY CARDS, LICENSE AGREEMENT SHEET, TRAY EXTENSION(REF.No.7-9), WINXP INSERTION)	1	
(1)	LE6847005	1	OWNER'S MANUAL ASSY, MFC580 FOR FRA (INCLUDING OWNER'S MANUAL(REF.No.(1-1), 2 WARRANTY CARDS, LICENSE AGREEMENT SHEET, TRAY EXTENSION(REF.No.7-9), WINXP INSERTION)	1	
(1)	LE6848008	1	OWNER'S MANUAL ASSY, MFC580 FOR BEL (INCLUDING 2 OWNER'S MANUALS(REF.No.(1-1), WARRANTY CARD, LICENSE AGREEMENT SHEET, TRAY EXTENSION(REF.No.7-9), WINXP INSERTION)	1	
(1)	LE6849009	1	OWNER'S MANUAL ASSY, MFC580 FOR NLD (INCLUDING OWNER'S MANUAL(REF.No.(1-1), WARRANTY CARD, LICENSE AGREEMENT SHEET, TRAY EXTENSION(REF.No.7-9), WINXP INSERTION)	1	
(1)	LE6850010	1	OWNER'S MANUAL ASSY, MFC580 FOR CHE (INCLUDING 2 OWNER'S MANUALS(REF.No.(1-1), WARRANTY CARD, LICENSE AGREEMENT SHEET, TRAY EXTENSION(REF.No.7-9), WINXP INSERTION)	1	
(1)	LE6851011	1	OWNER'S MANUAL ASSY, MFC580 FOR IRE/NOR (INCLUDING OWNER'S MANUAL(REF.No.(1-1), WARRANTY CARD, LICENSE AGREEMENT SHEET, TRAY EXTENSION(REF.No.7-9), WINXP INSERTION)	1	
(1)	LE6852013	1	OWNER'S MANUAL ASSY, MFC580 FOR DEN (INCLUDING OWNER'S MANUAL(REF.No.(1-1), WARRANTY CARD, LICENSE AGREEMENT SHEET, TRAY EXTENSION(REF.No.7-9), WINXP INSERTION)	1	
(1)	LE6853015	1	OWNER'S MANUAL ASSY, MFC580 FOR SPA (INCLUDING WARRANTY CARD, LICENSE AGREEMENT SHEET, TRAY EXTENSION(REF.No.7-9), WINXP INSERTION)	1	
(1)	LE6854016	1	OWNER'S MANUAL ASSY, MFC580 FOR ITA (INCLUDING OWNER'S MANUAL(REF.No.(1-1), WARRANTY CARD, LICENSE AGREEMENT SHEET, TRAY EXTENSION(REF.No.7-9), WINXP INSERTION)	1	
(1)	LE6855054	1	OWNER'S MANUAL ASSY, MFC580 FOR GNR (INCLUDING OWNER'S MANUAL(REF.No.(1-1), WARRANTY CARD, LICENSE AGREEMENT SHEET, TRAY EXTENSION(REF.No.7-9), WINXP INSERTION)	1	
(1-1)	LE6528003	1	OWNER'S MANUAL, MFC580 FOR GER/AUS		
(1-1)	LE6528004	1	OWNER'S MANUAL, MFC580 FOR UK/IRE/GNR/NOR		
(1-1)	LE6528005	1	OWNER'S MANUAL, MFC580 FOR FRA		
(1-1)	LE6528008	1	OWNER'S MANUAL, MFC580 FOR BEL <DUTCH>		
(1-1)	LE6776008	1	OWNER'S MANUAL, MFC580 FOR BEL/CHE <FRENCH>		
(1-1)	LE6528009	1	OWNER'S MANUAL, MFC580 FOR NLD		
(1-1)	LE6528010	1	OWNER'S MANUAL, MFC580 FOR CHE <GERMAN>		
(1-1)	LE6528015	1	OWNER'S MANUAL, MFC580 FOR SPA		
(1-1)	LE6528016	1	OWNER'S MANUAL, MFC580 FOR ITA		

LIST9(PACKING)

REF No.	CODE	QTY	DESCRIPTION	RECOMMEND	REMARK
(1)	LE6678001	1	CARTON, BROTHER, MFC580	1	
(2)	LE6191001	1	STYROFOAM ASSY		
(3)	LE3605001	1	BAG, 800X900H		
(4)	LE6195001	1	CARTON, FOR OPTION		
(5)	LE6680001	1	START CARD, MFC580 FOR GER/AUS		
(5)	LE6719001	1	START CARD, MFC580 FOR UK/IRE		
(5)	LE6725001	1	START CARD, MFC580 FOR FRA		
(5)	LE6774001	1	START CARD, MFC580 FOR BEL/CHE <FRENCH>		
(5)	LE6775001	1	START CARD, MFC580 FOR BEL <DUTCH>		
(5)	LE6765001	1	START CARD, MFC580 FOR NLD		
(5)	LE6772001	1	START CARD, MFC580 FOR CHE <GERMAN>		
(5)	LE6766001	1	START CARD, MFC580 FOR DEN		
(5)	LE6767001	1	START CARD, MFC580 FOR SPA		
(5)	LE6768001	1	START CARD, MFC580 FOR ITA		
(5)	LE6558001	1	START CARD, MFC580 FOR GNR		
(5)	LE6773001	1	START CARD, MFC580 FOR NOR		
(5)	LE6769001	1	START CARD, MFC580 FOR NOR (NORWAY)		
(5)	LE6770001	1	START CARD, MFC580 FOR NOR (SWEDEN)		
(5)	LE6771001	1	START CARD, MFC580 FOR NOR (FINLAND)		
(6)	LE6476001	1	CARRIAGE RETAINER		