



**FACSIMILE EQUIPMENT
PARTS REFERENCE LIST**

MODEL: MFC590

**(For Germany / United Kingdom / France /
Belgium / Netherlands /
Switzerland / Ireland / Denmark /
Austria / Spain / Italy / Euro Generic /
Pan Nordic)**

NOTES FOR USING THIS PARTS REFERENCE LIST

1. In the case of ordering parts, it needs mentioning the following items:

- (1) Code
- (2) Q' ty
- (3) Description

Note: No orders without Parts Code or Tool No. can be accepted.

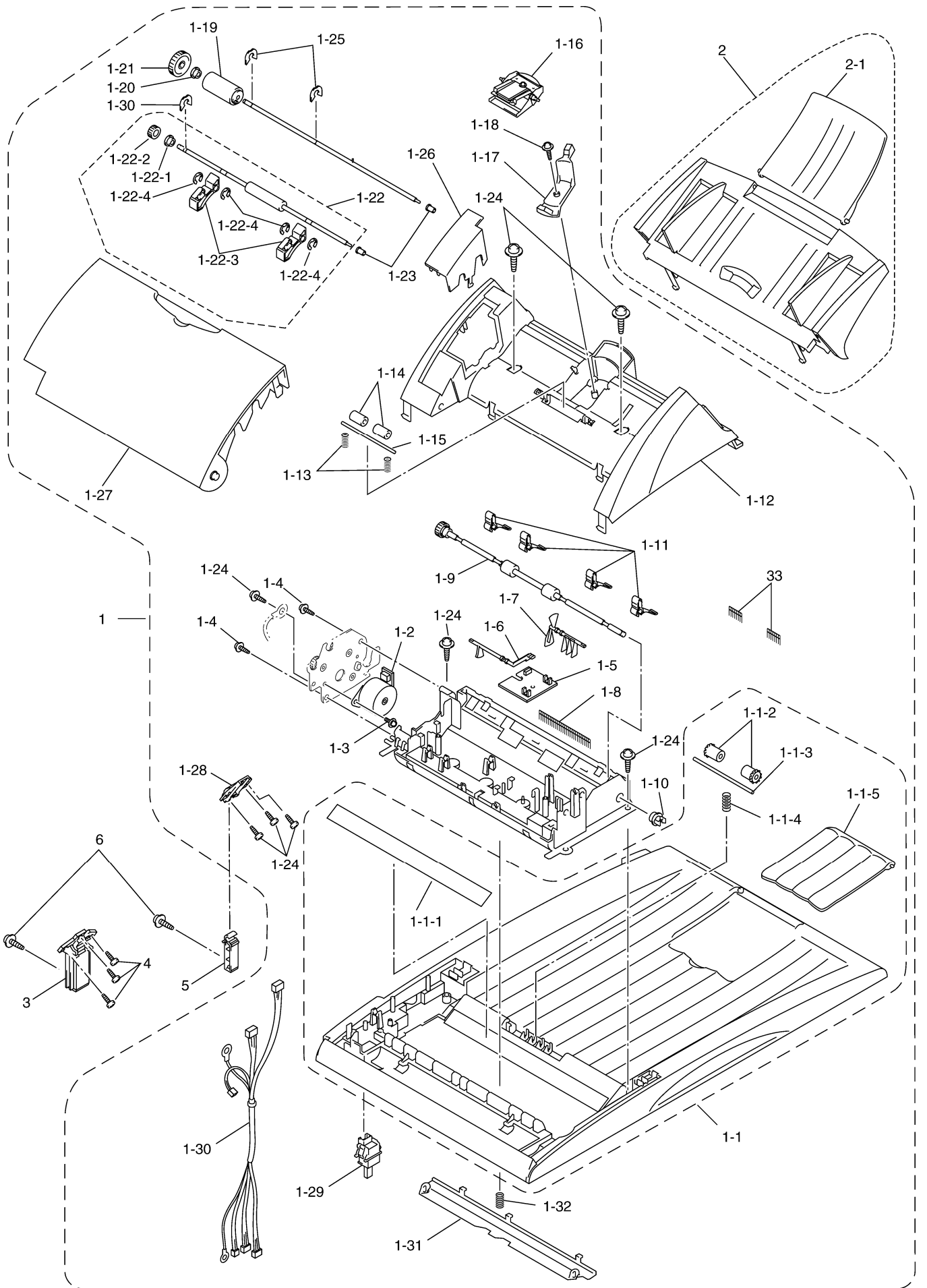
[Example]

	(1)	(2)	(3)		
REF.NO.	CODE	Q' TY	DESCRIPTION	RECOMMEND	REMARKS

2. Parts change will be informed by the technical information.

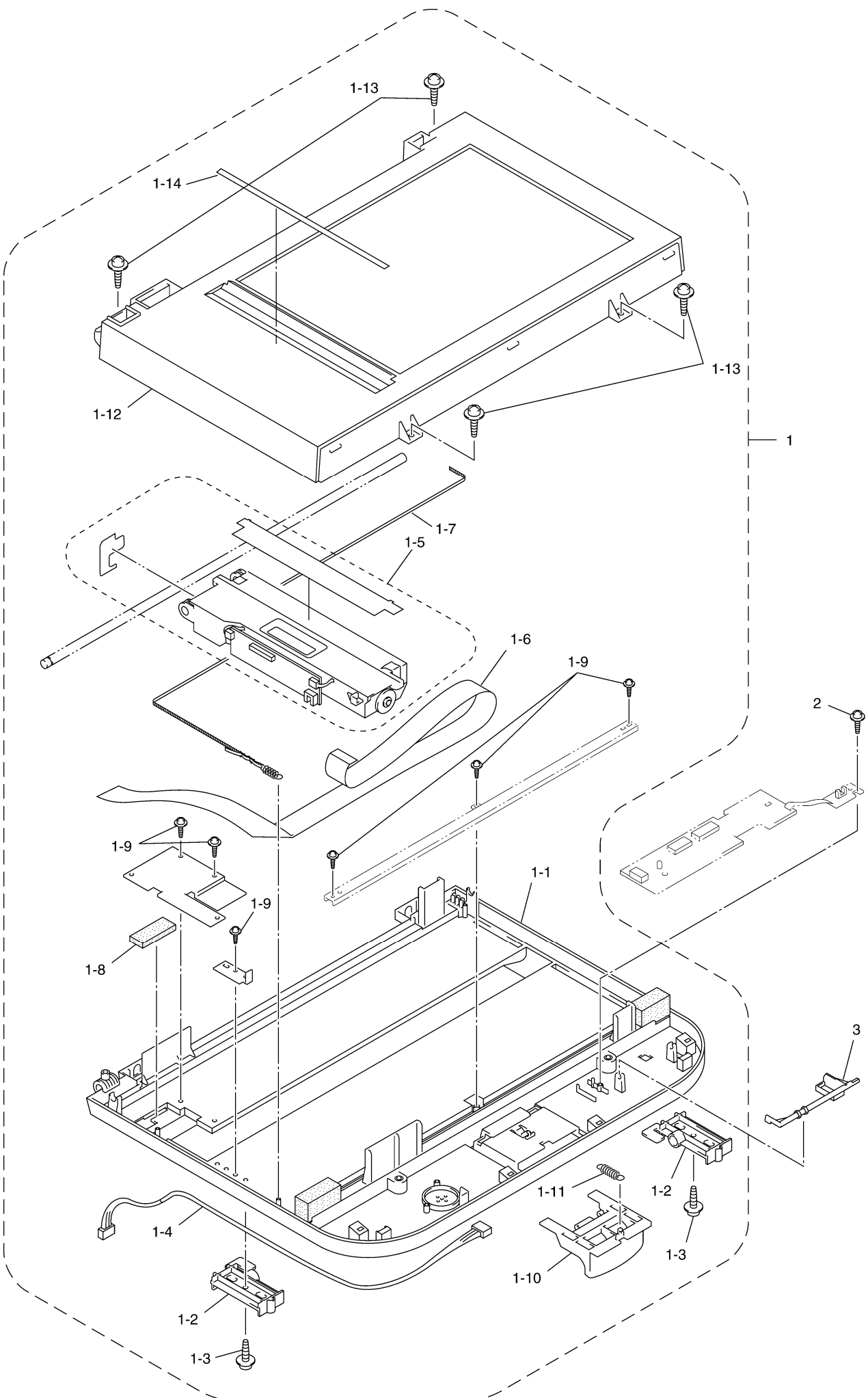
COUNTRIES

GERMANY ---- GER
UNITED KINGDOM ---- UK
FRANCE ---- FRA
BELGIUM ---- BEL
NETHERLANDS ---- NLD
SWITZERLAND ---- CHE
IRELAND ---- IRE
DENMARK ---- DEN
AUSTRIA ---- AUS
SPAIN ---- SPA
ITALY ---- ITA
EURO GENERIC ---- GNR
PAN NORDIC ---- NOR



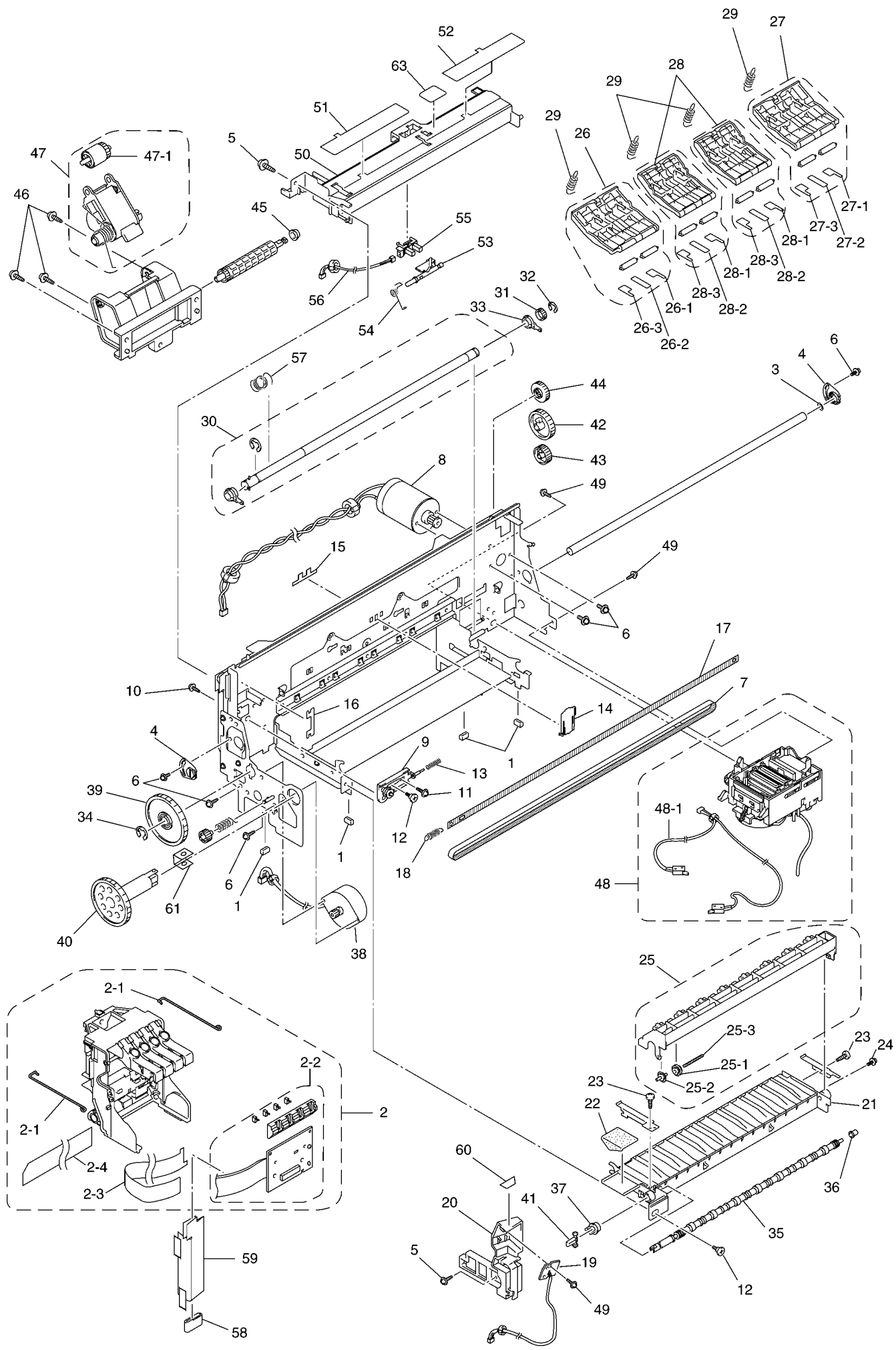
LIST1(ADF)

REF.NO.	CODE	Q'TY	DESCRIPTION	RECOMMEND	REMARKS
1	LE6201001	1	ADF/DOCUMENT TRAY ASSY	1	
1-1	LE6202001	1	DOCUMENT TRAY		
1-1-1	LE6205001	1	CHUTE FILM ASSY		
1-1-2	UL6244002	2	PINCH ROLLER		
1-1-3	LE2471001	1	PINCH ROLLER SHAFT		
1-1-4	LE6206001	1	PINCH ROLLER SPRING		
1-1-5	LE6207001	1	DOCUMENT STOPPER		
1-2	LE6214001	1	ADF MOTOR		
1-3	0A4300605	1	SCREW, PAN WASHER M3X6		
1-4	087310815	2	TAPTITE, CUP B M3X8		
1-5	LG3216001	1	DOCUMENT SENSOR PCB ASSY		
1-6	LE6219001	1	DOCUMENT REAR SENSOR ACTUATOR		
1-7	LE6220001	1	DOCUMENT FRONT SENSOR ACTUATOR		
1-8	LE6221001	1	ANTI-STATIC BRUSH		
1-9	LE6222001	1	DOCUMENT EJECTION ROLLER ASSY		
1-10	UF0026001	1	PAWLED BUSHING		
1-11	LE6334001	4	DOCUMENT GUIDE CLIP		
1-12	LE6226001	1	UPPER ADF CHUTE		
1-13	LE2472001	2	PRESSURE ROLLER SPRING		
1-14	UF9009001	2	PRESSURE ROLLER		
1-15	LE2471001	1	PRESSURE ROLLER SHAFT		
1-16	LE6345001	1	SEPARATION RUBBER UNIT		
1-17	LE6330001	1	ADF THICKNESS ADJUSTER		
1-18	UF5034001	1	TAPTITE, B M3X6		
1-19	LE2037001	1	SEPARATION ROLLER		
1-20	LE6494001	1	BUSHING		
1-21	LE6230001	1	SEPARATION ROLLER GEAR		
1-22	LE6233001	1	DOCUMENT FEED ROLLER ASSY		
1-22-1	LE6494001	1	BUSHING		
1-22-2	LE6495001	1	DOCUMENT FEED ROLLER GEAR		
1-22-3	LE6492001	2	DOCUMENT FEED PAPER CHUTE		
1-22-4	048050346	4	RETAINING RING		
1-23	UF9949001	2	BUSHING S (SEPARATION ROLLER, FEED ROLLER)		
1-24	087311016	8	TAPTITE, CUP B M3X10		
1-25	LE2537001	2	PLASTIC RETAINING RING		
1-26	LE6236001	1	GEAR COVER, GRAY(1495)		
1-27	LE6237001	1	ADF COVER, GRAY(1495)		
1-28	LE6245001	1	HINGE ARM		
1-29	LG3218001	1	DOCUMENT TRAY OPEN SENSOR		
1-30	LG3219001	1	ADF MOTOR SENSOR HARNESS ASSY		
1-31	LE6215001	1	DOCUMENT PRESSURE BAR		
1-32	LE6218001	1	SPRING		
1-33	LE6609001	2	ANTI-STATIC BRUSH S		
2	LE6246001	1	DOCUMENT GUIDE BASE		
2-1	LE6250001	1	DOCUMENT SUPPORT, CLEAR PURPLE(6342)		
3	LE6238001	1	HINGE L		
4	087311016	3	TAPTITE, CAP B 3X10		
5	LE6244001	1	HINGE BASE R		
6	085411215	2	SCREW, BIND B M4X12		



LIST2(SCANNER)

REF.NO.	CODE	Q'TY	DESCRIPTION	RECOMMEND	REMARKS
1	LE6466001	1	SCANNER UNIT (SP)	1	
1-1	LE1789001	1	SCANNER BASE, GRAY(1495)		
1-2	LE6253001	2	FRONT COVER CONNECTOR		
1-3	087411216	2	TAPTITE, CUP B M4X12		
1-4	LG3233001	1	PANEL HARNESS		
1-5	LE6533001	1	CCD UNIT		
1-6	LE6351001	1	CCD FLAT CABLE		
1-7	LE6353001	1	CCD DRIVE BELT ASSY		
1-8	LE6260001	1	SPONGE		
1-9	087310816	6	TAPTITE, CUP B M3X8		
1-10	LE6263001	1	SCANNER OPEN LEVER, PURPLE(6255)		
1-11	LE6264001	1	LEVER SPRING		
1-12	LE6267001	1	SCANNER TOP COVER ASSY		
1-13	087411216	4	TAPTITE, CUP B M4X12		
1-14	LE8107004	4	CCD-PROTECTOR-R	<Deleted>	
1-15	LE8108004	4	CCD-PROTECTOR-F	<Deleted>	
1-1614	LE6355001	1	DOCUMENT SET LABEL		
1-1715	LE7947004	4	BELT-STOPPER	<Deleted>	
2	087310815	1	TAPTITE, CUP B M3X8		
3	LE2095001	1	SCANNER OPEN SENSOR ACTUATOR		



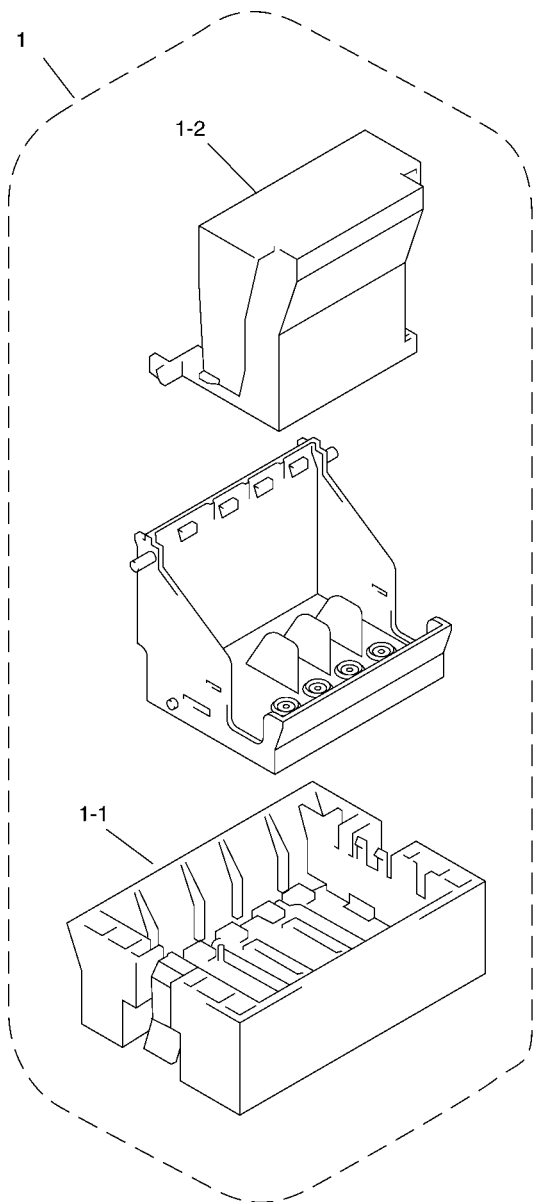
LIST2(ENGINE)

* You have to use the same color spare part with the original part for the replacement.

REF No.	CODE	QTY	DESCRIPTION	RECOMMEND	REMARK
1	LE6053001	4	RUBBER BUSH		
2	LE6198001	1	CARRIAGE ASSY		
2-1	LE6062001	2	HEAD CLAMP SPRING		
2-2	LE6715001	1	CARRIAGE PCB ASSY	1	
3	LE6421001	1	WAVY WASHER		
4	LE6722001	2	ECCENTRIC BUSHING		
5	087320616	2	TAPTITE, CUP S M3X6		
6	0A5300605	4	SCREW, PAN (S/P WASHER) M3X6		
7	LE6074001	1	TIMING BELT		
8	LE6434001	1	CARRIAGE MOTOR		
9	LE6424001	1	IDLE PULLEY HOLDER ASSY		
10	087320616	1	TAPTITE, CUP S M3X6		
11	0A5300805	1	SCREW, PAN (S/P WASHER) M3X8		
12	UF9823001	2	SHOULDER SCREW		
13	LE3171001	1	PULLEY SPRING		
14	LE6078001	1	FLAT CABLE CLAMP		
15	LE6571001	1	CABLE CLAMP STOPPER FILM		
16	LE6152001	1	FFC CLAMP FILM		
17	LE6425001	1	ENCODER STRIP		
18	UD6012001	1	ENCODER STRIP SPRING		
19	LG3124001	1	INK EMPTY SENSOR PCB		
20	LE6081001	1	SENSOR SUPPORT		
21	LE6082001	1	PLATEN		
22	LE6385001	1	FLUSHING SPONGE		
23	085271015	2	TAPTITE, BIND B M2.6X10		
24	085311015	1	SCREW, BIND B TITE 3X10		
25	LE6430001	1	STAR WHEEL SUPPORT ASSY		
25-1	LE6504001	7	STAR WHEEL W		
25-2	LE6805001	8	STAR WHEEL B		
25-3	LE6107001	7	STAR WHEEL SPRING		
26	LE6427001	1	PRESSURE ROLLER HOLDER L ASSY		
26-1	LE6390001	1	PRESSURE HOLDER FILM A		
26-2	LE6391001	1	PRESSURE HOLDER FILM B		
26-3	LE6392001	1	PRESSURE HOLDER FILM C		
27	LE6428001	1	PRESSURE ROLLER HOLDER R ASSY		
27-1	LE6390001	1	PRESSURE HOLDER FILM A		
27-2	LE6391001	1	PRESSURE HOLDER FILM B		
27-3	LE6392001	1	PRESSURE HOLDER FILM C		
28	LE6429001	2	PRESSURE ROLLER HOLDER ASSY		
28-1	LE6390001	1	PRESSURE HOLDER FILM A		
28-2	LE6391001	1	PRESSURE HOLDER FILM B		
28-3	LE6392001	1	PRESSURE HOLDER FILM C		
29	LE6090001	4	PRESSURE ROLLER SPRING		
*30	LE6091003	1	PAPER FEED ROLLER ASSY, RED (INCLUDING PF BUSHING L)		
*30	LE6091004	1	PAPER FEED ROLLER ASSY, BLUE (INCLUDING PF BUSHING L)		
31	LE6093001	1	PF ROLLER GEAR R		
32	LE6121001	1	RETAINING RING, EXTERNAL C5		
33	LE6095001	1	PF BUSHING R		
34	LE6122001	1	RETAINING RING, EXTERNAL C8		
35	LE6096001	1	PAPER EJECTION ROLLER ASSY		
36	UU1290001	1	CONDUCTIVE BUSHING		
37	UF9949001	1	EJECTION ROLLER BUSHING		
38	LE6489001	1	PAPER FEED MOTOR ASSY		
39	LE6101001	1	PF ROLLER GEAR		
40	LE6103001	1	PAPER EJECTION ROLLER GEAR		
41	LE6104001	1	JOINT		
42	UF8034001	1	GEAR,39		
43	LE6108001	1	GEAR, 25		
44	LE6109001	1	GEAR, 31 MF		
45	UF8105001	1	CONDUCTIVE BUSHING		
46	087320616	3	TAPTITE, CUP S M3X6		
47	LE6576001	1	GEAR HOLDER ASSY		
47-1	LE3432001	1	ASF ROLLER		
48	LE6002001	1	PURGE UNIT ASSY	1	
48-1	LG3083001	1	PURGE SWITCH ASSY		
49	087310815	3	TAPTITE, CUP B M3X8		
50	LE6134001	1	PAPER CHUTE		
51	LE6393001	1	CHUTE FILM L		
52	LE6394001	1	CHUTE FILM R		
53	LE3194001	1	REGISTRATION SENSOR ACTUATOR		
54	LE6153001	1	TORSION SPRING 7.2X140		

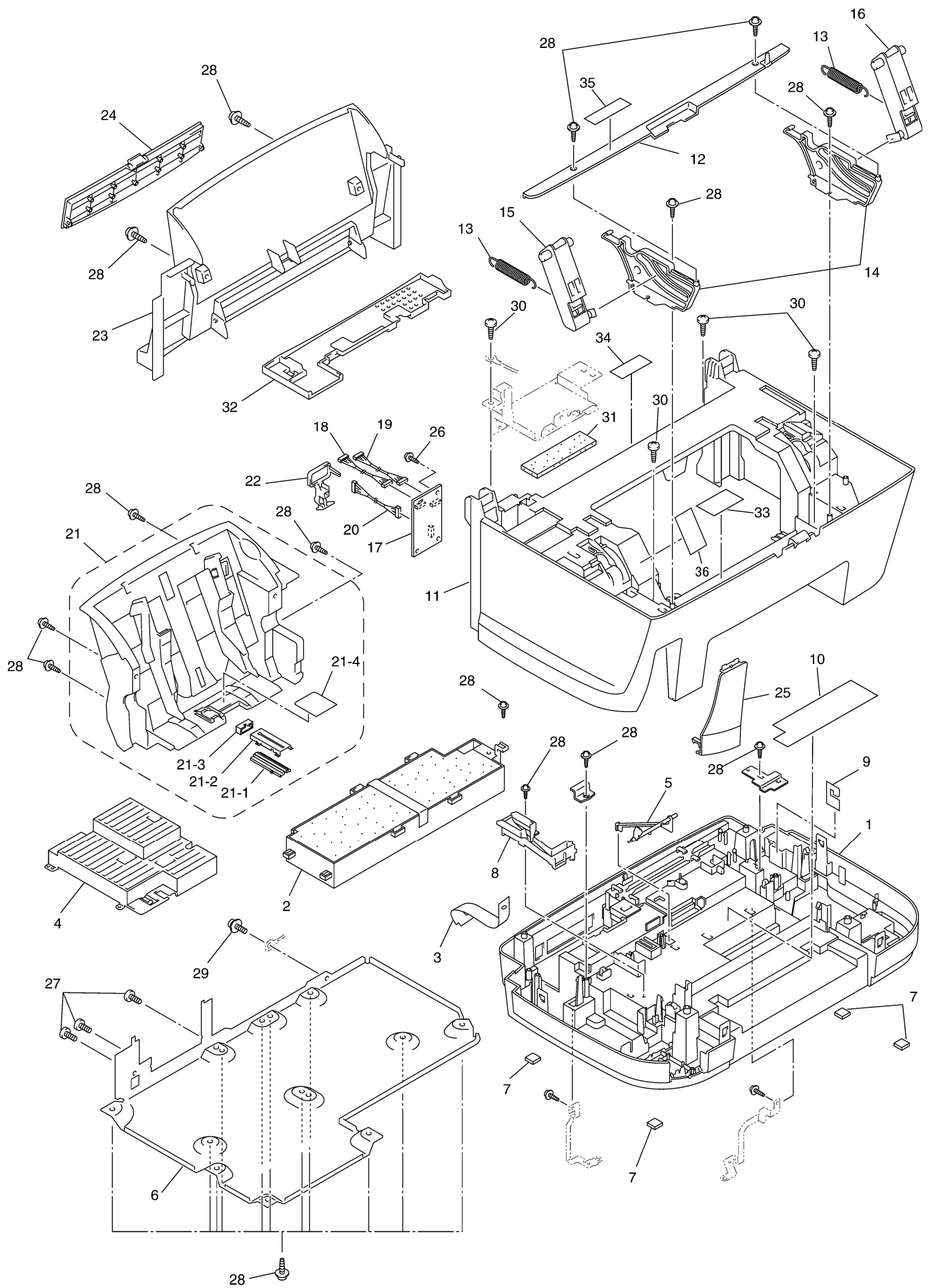
LIST2(ENGINE)

REF No.	CODE	QTY	DESCRIPTION	RECOMMEND	REMARK
55	LG2239001	1	REGISTRATION SENSOR		
56	LG3156001	1	REGISTRATION SENSOR HARNESS		
57	LE6356001	1	PF SPRING		
58	UG5577000	1	FLAT CORE		
59	LE6438001	1	FLAT CABLE GUIDE		
60	LE6440001	1	INK EMPTY SENSOR LIGHT BLOCK FILM		
61	LE6626001	1	SUPPORT SPRING		
62	0A5300805	2	SCREW, PAN (S/P WASHER) M3X6		
63	LE6863001	1	CHUTE FILM		<addtion>



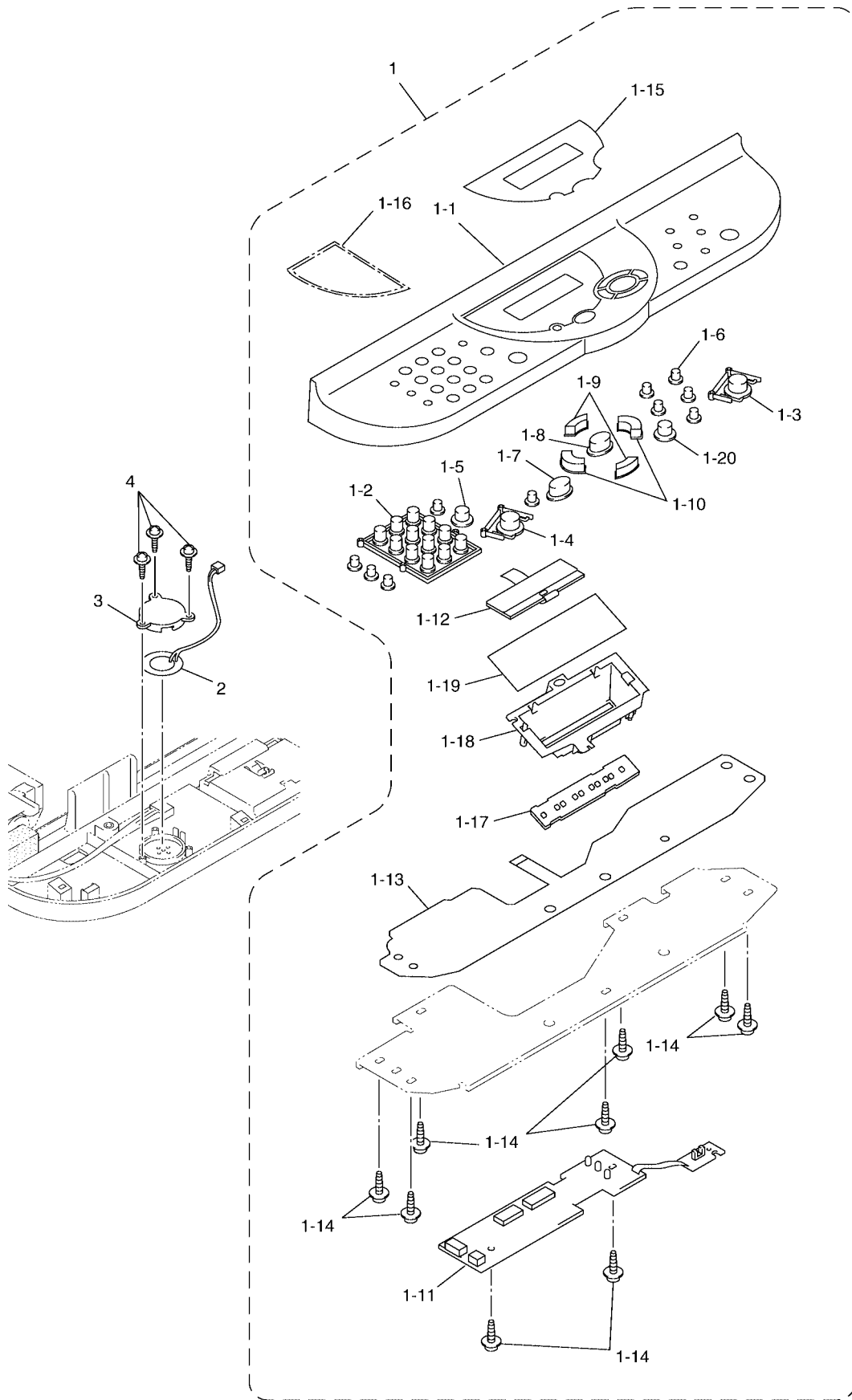
LIST4(HEAD UNIT)

REF.NO	CODE	Q'TY	DESCRIPTION	RECOMMEND	REMARKS
1	LK0517001	1	PRINT HEAD UNIT(SP)	1	
1-1	LK0516001	1	HEAD NOZZLE SEAL 2(SP)	1	
1-2	LK0536001	1	HEAD FILTER SEAL(SP)	1	



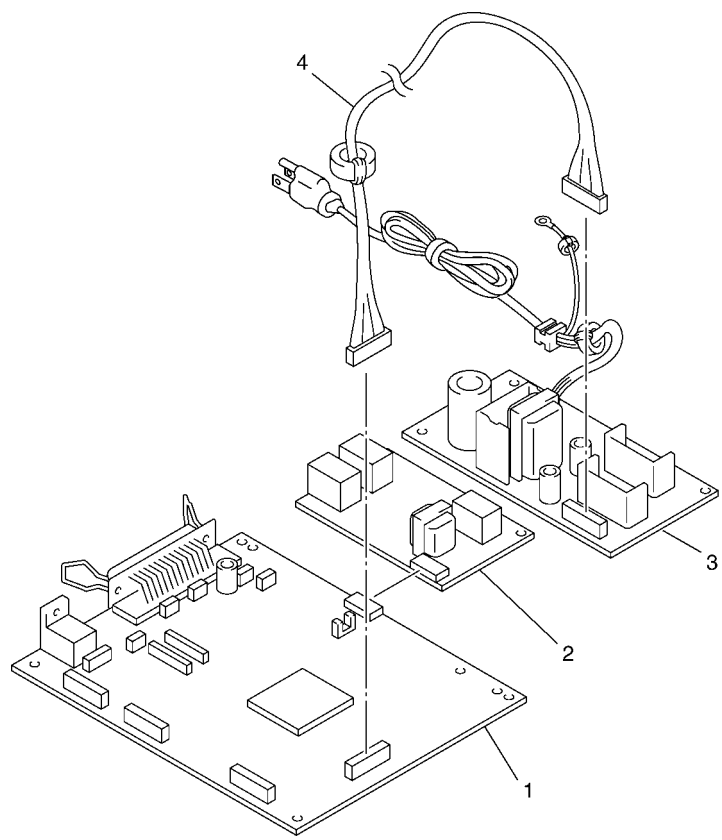
LIST5(COVER)

REF.NO	CODE	QTY	DESCRIPTION	RECOMMEND	REMARKS
1	LE6441001	1	LOWER COVER, GRAY(1495)		
2	LE6272001	1	INK ABSORBER BOX ASSY		
3	LE6475001	1	SHIELD FILM		
4	LE6156001	1	ENCLOSURE COVER		
5	LE6278001	1	PAPER WIDTH SENSOR ACTUATOR		
6	LE6277001	1	BOTTOM PLATE		
7	UD4019001	4	RUBBER FOOT		
8	LE6550001	1	FLUSHING GUTTER ASSY		
9	LE6581001	1	HARNESS FILM		
10	LE6573001	1	INK FORM FB		
11	LE6280001	1	MAIN COVER		
12	LE6331001	1	EDGE COVER		
13	LE6282001	2	SCANNER LINK SPRING		
14	LE6283001	2	SCANNER LINK GUIDE		
15	LE6284001	1	SCANNER LINK L		
16	LE6285001	1	SCANNER LINK R		
17	LG3223001	1	RELAY PCB ASSY	1	
18	LG3227001	1	RELAY HARNESS 1(12PIN)		
19	LG3228001	1	RELAY HARNESS 2(11PIN)		
20	LG3229001	1	RELAY HARNESS 3(9PIN)		
21	LE6286001	1	AUTO SHEET FEEDER ASSY		
21-1	LE3254001	1	SEPARATION PAD		
21-2	LE3255001	1	PAD HOLDER		
21-3	LE3434001	1	CAP		
21-4	LE6442001	1	AUTO SHEET FEEDER FILM		
22	LE6457001	1	RELAY PCB COVER		
23	LE6289001	1	REAR COVER, GRAY(1495)		
24	LE3282001	1	JAM CLEAR COVER, GRAY(1495)		
25	LE6290001	1	MEDIA COVER, GRAY(1495)		
26	087320615	2	SCREW, CUP S TITE 3X6		
27	002300616	3	SCREW, PAN M3X6		
28	087311216	25	TAPTITE, CUP B M3X12		
29	UF6559001	1	SCREW, PAN (WASHER) M4X8DB		
30	085411616	4	TAPTITE, BIND B M4X16		
31	LE6357001	1	SPONGE FFC		
32	LE6491001	1	INNER COVER		
33	LE6160001	1	INK REPLACE INSTRUCTION LABEL		
34	LE6525001	1	JAM MARK LABEL		
35	LE6649001	1	CONSUMABLES LABEL		
36	LE6861001	1	INK SET INSTRUCTION LABEL		
(37)	UU0456001	1	PROTECTION PAPER		
(38)	UF5745000	1	MJ COVER FOR GER/UK/FRA/BEL/DEN/AUS/ITA		



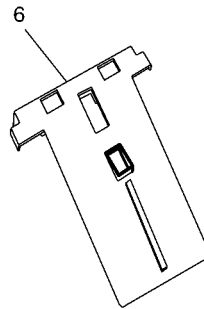
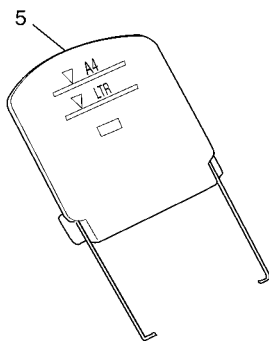
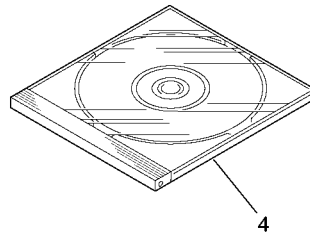
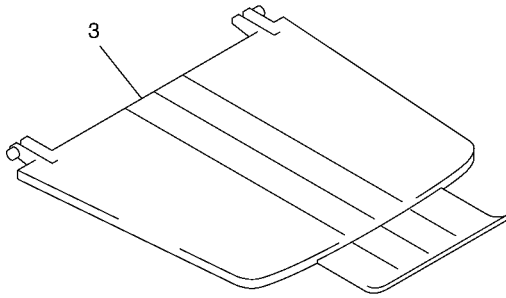
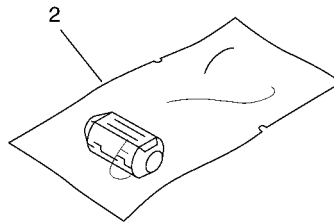
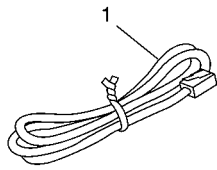
LIST6(PANEL)

REF.NO	CODE	QTY	DESCRIPTION	RECOMMEND	REMARKS
1	LE6377001	1	CONTROL PANEL ASSY, MFC590 FOR GER	1	
1	LE6380001	1	CONTROL PANEL ASSY, MFC590 FOR UK/BEL/CHE/IRE/GNR	1	
1	LE6382001	1	CONTROL PANEL ASSY, MFC590 FOR FRA	1	
1	LE6731001	1	CONTROL PANEL ASSY, MFC590 FOR NLD	1	
1	LE6739001	1	CONTROL PANEL ASSY, MFC590 FOR DEN/NOR	1	
1	LE6745001	1	CONTROL PANEL ASSY, MFC590 FOR SPA	1	
1	LE6750001	1	CONTROL PANEL ASSY, MFC590 FOR ITA	1	
1-1	LE6378001	1	CONTROL PANEL, MFC590 FOR GER		
1-1	LE6381001	1	CONTROL PANEL, MFC590 FOR UK/BEL/CHE/IRE/GNR		
1-1	LE6383001	1	CONTROL PANEL, MFC590 FOR FRA		
1-1	LE6732001	1	CONTROL PANEL, MFC590 FOR NLD		
1-1	LE6740001	1	CONTROL PANEL, MFC590 FOR DEN/NOR		
1-1	LE6746001	1	CONTROL PANEL, MFC590 FOR SPA		
1-1	LE6751001	1	CONTROL PANEL, MFC590 FOR ITA		
1-2	LE3431001	1	KEY, TEN, GRAY(1495)		
1-3	LE9228001	1	KEY, COLOR COPY, GREEN(5159)		
1-4	LE9228003	1	KEY, BLACK FAX START, GRAY(1496)		
1-5	LE6171005	1	KEY, COLOR FAX START, GRAY(1496)		
1-6	LE3295001	10	KEY, CYLINDER 6, GRAY(1495)		
1-7	LE6170002	1	KEY, STOP, PINK(2205)		
1-8	LE6350001	1	KEY, MENU FOR GER		
1-8	LE6079001	1	KEY, MENU FOR UK/FRA/BEL/NLD/CHE/IRE/DEN/AUS/SPA/ITA/GNR/NOR		
1-9	LE6168001	2	KEY, CURSOR L, PURPLE(6255)		
1-10	LE6169001	2	KEY, CURSOR S, PURPLE(6255)		
1-11	LG3665001	1	CONTROL PANEL PCB ASSY, MFC590		
1-12	LG3393001	1	LCD		
1-13	LG3230001	1	FPC KEY		
1-14	087310615	9	TAPTITE, CUP B M3X6		
1-15	LE6379001	1	LCD SHEET	1	
1-16	----		NOT USED		
1-17	LG3682001	1	BACK LIGHT PCB ASSY		
1-18	LE6628001	1	BACK LIGHT HOLDER		
1-19	LE6629001	1	BACK LIGHT FILM		
1-20	LE6171003	1	KEY, BLACK COPY, PURPLE(6255)		
2	LG3221001	1	PIEZO RINGER ASSY		
3	LE6172001	1	PIEZO RINGER CAP		
4	087310815	3	TAPTITE, CUP B M3X8		



LIST7(PCB)

REF.NO	CODE	QTY	DESCRIPTION	RECOMMEND	REMARKS
1	LG3602021	1	MAIN PCB ASSY	1	
2	LG3558001	1	NCU PCB ASSY	1	
3	LG3666001	1	POWER SUPPLY PCB ASSY	1	
4	LG3154001	1	POWER SUPPLY HARNESS		



LIST8(Accessories)

REF.NO	CODE	QTY	DESCRIPTION	RECOMMEND	REMARKS
1	UG3625001	1	TELEPHONE LINE CORD FOR GER		
1	UG3626001	1	TELEPHONE LINE CORD FOR UK		
1	UG3627001	1	TELEPHONE LINE CORD FOR FRA		
1	UG1575001	1	TELEPHONE LINE CORD FOR BEL		
1	LG3077001	1	TELEPHONE LINE CORD FOR NLD/IRE/SPA/GNR		
1	UG3469000	1	TELEPHONE LINE CORD FOR CHE		
1	UG3633001	1	TELEPHONE LINE CORD FOR DEN		
1	UG4205001	1	TELEPHONE LINE CORD FOR AUS		
1	UG3634001	1	TELEPHONE LINE CORD FOR ITA		
1	UG3629001	1	TELEPHONE LINE CORD FOR NOR (NORWAY)		
1	UG3635001	1	TELEPHONE LINE CORD FOR NOR (SWEDEN)		
1	UG3632001	1	TELEPHONE LINE CORD FOR NOR (FINLAND)		
2	LE0019001	1	FERRITE CORE BAG ASSY FOR FRA/BEL/NLD/CHE/DEN/SPA/ITA/NOR		
3	LE6398001	1	PAPER EJECT TRAY ASSY, GRAY(1495)		
4	LE6632001	1	CD-ROM ASSY<GERMAN/ENGLISH/FRENCH>, MFC590 FOR GER/UK/FRA/BEL/CHE/IRE/AUS		
4	LE6708001	1	CD-ROM ASSY<DUTCH/FRENCH/ITALIAN/SPANISH>, MFC590 FOR BEL/NLD/SPA/ITA		
4	LE6711001	1	CD-ROM ASSY <ENGLISH/NORWEGIAN/DANISH/SWEDISH>, MFC590 FOR DEN/GNR/NOR		
5	LE6822001	1	TRAY EXTENSION		
6	LE6807001	1	SP ATTACHMENT BAG ASSY		
(7)	ZA0310001	1	HEAD CLEANER STICK ASSY(SP)	1	
(8)	LK0504001	1	GLYCEROL CLEANING FLUID(SP) (INCLUDING 120CC FLUID IN A BOTTLE AND SYRINGE)	1	
(9)	LE6455001	1	FORM EMPTY CARTRIDGE(SP) (FOR INK EMPTY SENSOR COMPENSATION)		
(10)	UF9258001	1	COLOR TEST CHART CTC-001		
(11)	LK0505001	1	INITIAL LIQUID CARTRIDGE ASSY(SP)	1	
(12)	UF4600001	1	CONTRAST CHART TC-023		
(13)	----		NOT USED		
(14)	LG2085001	1	AC CORD ASSY FOR GER/FRA/BEL/NLD/AUS/SPA/ITA/GNR/NOR (VDE)	1	
(14)	LG2086001	1	AC CORD ASSY FOR UK/IRE (BS)	1	
(14)	LG2087001	1	AC CORD ASSY FOR CHE (SEV)	1	
(14)	LG2181001	1	AC CORD ASSY FOR DEN (DEMCO)	1	
(15)	UG4558001	1	I/F CABLE FOR GER/UK/IRE/AUS/GNR		
(16)	----		N/A		
(17)	UF8263001	1	TEST CHART TC-027		

LIST9(PRINTED MATERIAL)

REF.NO	CODE	Q'TY	DESCRIPTION	RECOMMEND	REMARKS
(1)	LE6829003	1	OWNER'S MANUAL ASSY, MFC590 FOR GER/AUS (INCLUDING OWNER'S MANUAL(REF. No.(1-1), WARRANTY CARD, LICENSE AGREEMENT SHEET, TRAY EXTENSION(REF.No.8-5))	1	
(1)	LE6830004	1	OWNER'S MANUAL ASSY, MFC590 FOR UK (INCLUDING OWNER'S MANUAL(REF. No.(1-1), 3 WARRANTY CARDS, LICENSE AGREEMENT SHEET, TRAY EXTENSION(REF.No.8-5))	1	
(1)	LE6831005	1	OWNER'S MANUAL ASSY, MFC590 FOR FRA (INCLUDING OWNER'S MANUAL(REF. No.(1-1), 2 WARRANTY CARDS, LICENSE AGREEMENT SHEET, TRAY EXTENSION(REF.No.8-5))	1	
(1)	LE6832008	1	OWNER'S MANUAL ASSY, MFC590 FOR BEL (INCLUDING 2 OWNER'S MANUALS(REF. No.(1-1), WARRANTY CARD, LICENSE AGREEMENT SHEET, TRAY EXTENSION(REF.No.8-5))	1	
(1)	LE6833009	1	OWNER'S MANUAL ASSY, MFC590 FOR NLD (INCLUDING OWNER'S MANUAL(REF. No.(1-1), WARRANTY CARD, LICENSE AGREEMENT SHEET, TRAY EXTENSION(REF.No.8-5))	1	
(1)	LE6834010	1	OWNER'S MANUAL ASSY, MFC590 FOR CHE (INCLUDING 2 OWNER'S MANUALS(REF. No.(1-1), WARRANTY CARD, LICENSE AGREEMENT SHEET, TRAY EXTENSION(REF.No.8-5))	1	
(1)	LE6835011	1	OWNER'S MANUAL ASSY, MFC590 FOR IRE/NOR (INCLUDING OWNER'S MANUAL(REF. No.(1-1), WARRANTY CARD, LICENSE AGREEMENT SHEET, TRAY EXTENSION(REF.No.8-5))	1	
(1)	LE6836013	1	OWNER'S MANUAL ASSY, MFC590 FOR DEN (INCLUDING WARRANTY CARD, LICENSE AGREEMENT SHEET, TRAY EXTENSION(REF.No.8-5))	1	
(1)	LE6837015	1	OWNER'S MANUAL ASSY, MFC590 FOR SPA (INCLUDING OWNER'S MANUAL(REF. No.(1-1), 2 WARRANTY CARDS, LICENSE AGREEMENT SHEET, TRAY EXTENSION(REF.No.8-5))	1	
(1)	LE6838016	1	OWNER'S MANUAL ASSY, MFC590 FOR ITA (INCLUDING OWNER'S MANUAL(REF. No.(1-1), WARRANTY CARD, LICENSE AGREEMENT SHEET, TRAY EXTENSION(REF.No.8-5))	1	
(1)	LE6839054	1	OWNER'S MANUAL ASSY, MFC590 FOR GNR (INCLUDING OWNER'S MANUAL(REF. No.(1-1), LICENSE AGREEMENT SHEET, TRAY EXTENSION(REF.No.8-5))	1	
(1-1)	LE6518003	1	OWNER'S MANUAL, MFC590 FOR GER		
(1-1)	LE6518004	1	OWNER'S MANUAL, MFC590 FOR UK/IRE/GNR/NOR		
(1-1)	LE6518005	1	OWNER'S MANUAL, MFC590 FOR FRA		
(1-1)	LE6518008	1	OWNER'S MANUAL, MFC590 FOR BEL <DUTCH>		
(1-1)	LE6728008	1	OWNER'S MANUAL, MFC590 FOR BEL/CHE <FENCH>		
(1-1)	LE6518009	1	OWNER'S MANUAL, MFC590 FOR NLD		
(1-1)	LE6518010	1	OWNER'S MANUAL, MFC590 FOR CHE <GERMAN>		
(1-1)	LE6518015	1	OWNER'S MANUAL, MFC590 FOR SPA		
(1-1)	LE6518016	1	OWNER'S MANUAL, MFC590 FOR ITA		

LIST10(PACKAGING)

REF.NO	CODE	QTY	DESCRIPTION	RECOMMEND	REMARKS
(1)	LE6636001	1	CARTON, BROTHER, MFC590	1	
(2)	LE6314001	1	BODY STYROFOAM ASSY		
(3)	LE6625001	1	SHEET, 400X450		
(4)	LE3645001	1	BAG, 900X850H		
(5)	LE6317001	1	CARTON FOR MANUAL		
(6)	LE6638001	1	START CARD, MFC590 FOR GER/AUS		
(6)	LE6642001	1	START CARD, MFC590 FOR UK/IRE		
(6)	LE6646001	1	START CARD, MFC590 FOR FRA		
(6)	LE6764001	1	START CARD, MFC590 FOR BEL <DUTCH>		
(6)	LE6763001	1	START CARD, MFC590 FOR BEL/CHE <FRENCH>		
(6)	LE6730001	1	START CARD, MFC590 FOR NLD		
(6)	LE6761001	1	START CARD, MFC590 FOR CHE <GERMAN>		
(6)	LE6743001	1	START CARD, MFC590 FOR DEN		
(6)	LE6749001	1	START CARD, MFC590 FOR SPA		
(6)	LE6754001	1	START CARD, MFC590 FOR ITA		
(6)	LE6559001	1	START CARD, MFC590 FOR GNR		
(6)	LE6758001	1	START CARD, MFC590 FOR NOR (NORWAY)		
(6)	LE6759001	1	START CARD, MFC590 FOR NOR (SWEDEN)		
(6)	LE6760001	1	START CARD, MFC590 FOR NOR (FINLAND)		
(7)	LE6476001	1	CARRIAGE RETAINER		