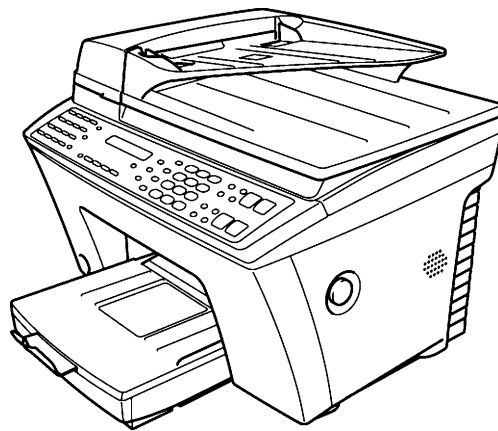




**FACSIMILE EQUIPMENT
PARTS REFERENCE LIST**

MODEL: MFC760

**(For Germany / United Kingdom
/ France / Norway / Belgium
/ Netherlands / Switzerland
/ Denmark / Spain / Italy
/ Sweden)**



NOTES FOR USING THIS PARTS REFERENCE LIST

1. In the case of ordering parts, it needs mentioning the following items:

- (1) Code
- (2) Q' ty
- (3) Description

Note: No orders without Parts Code or Tool No. can be accepted.

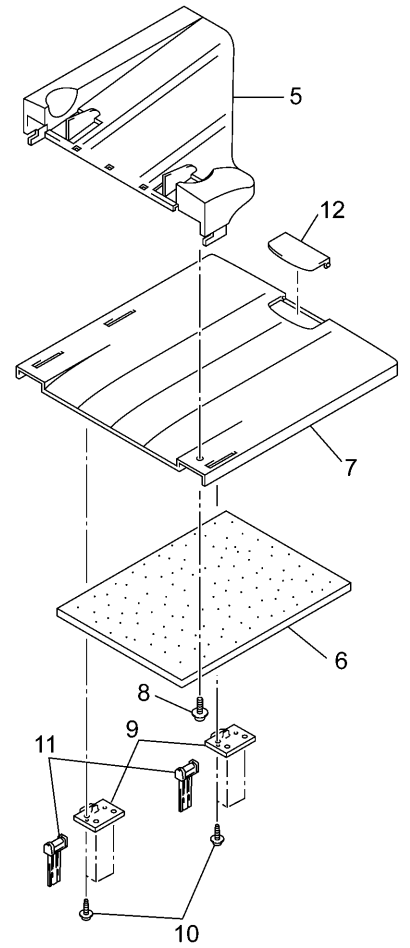
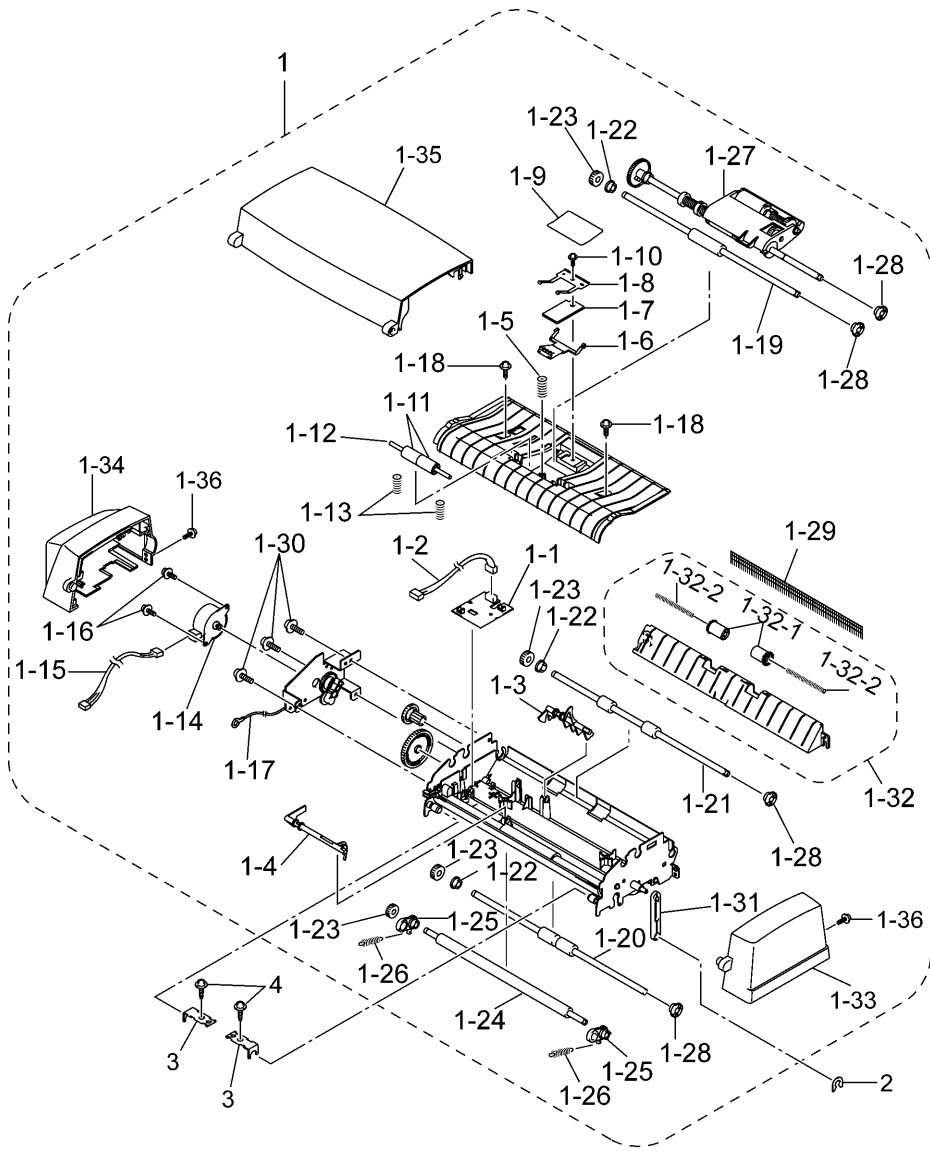
[Example]

REF.NO.	(1) CODE	(2) Q' TY	(3) DESCRIPTION	REMARKS

2. Parts change will be informed by the technical information.

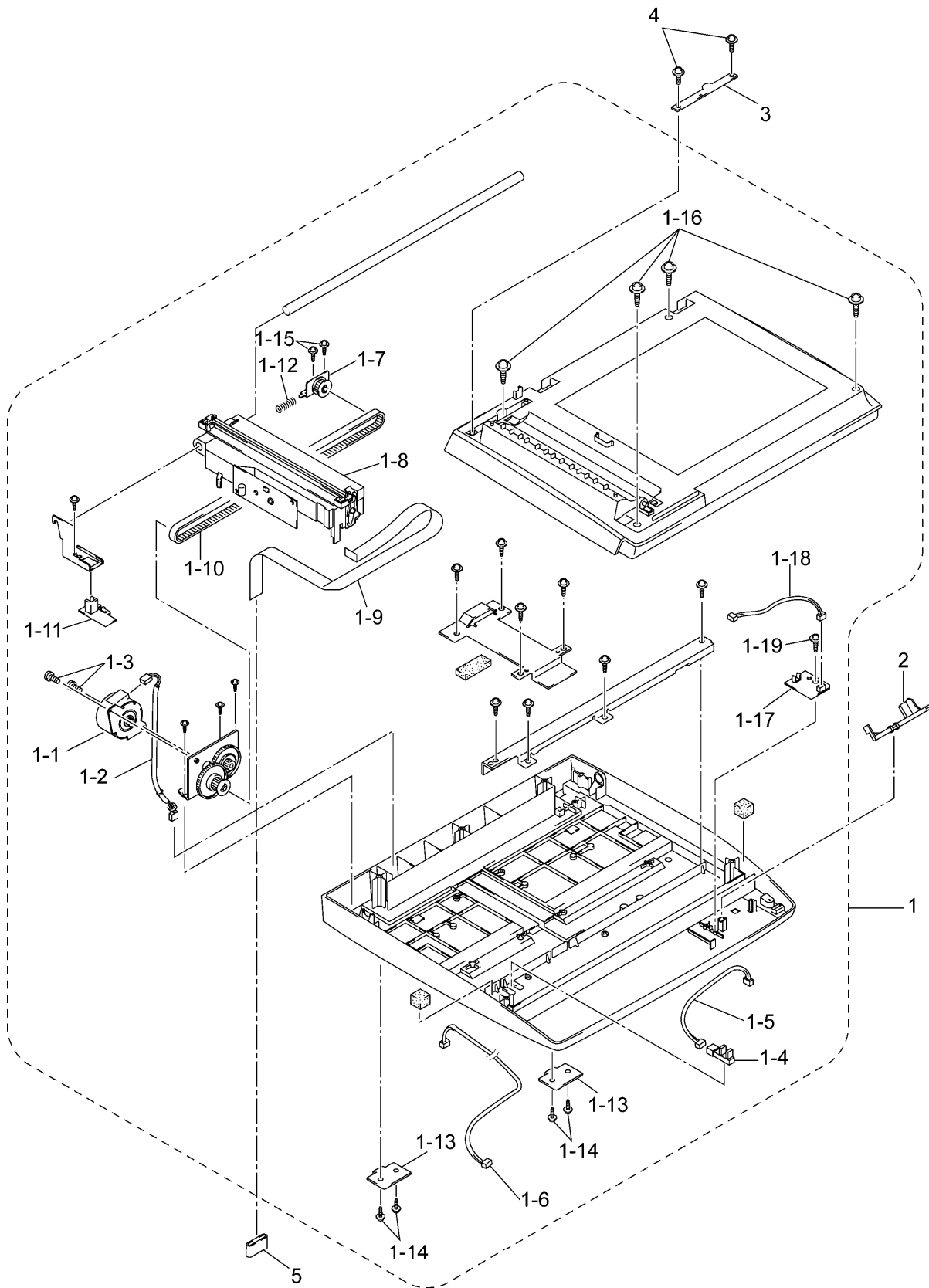
COUNTRIES

Germany ----- GER
United Kingdom ----- UK
France ----- FRA
Norway ----- NOR
Belgium ----- BEL
Netherlands ----- NLD
Switzerland ----- CHE
Denmark ----- DEN
Spain ----- SPA
Italy ----- ITA
Sweden ----- SWE



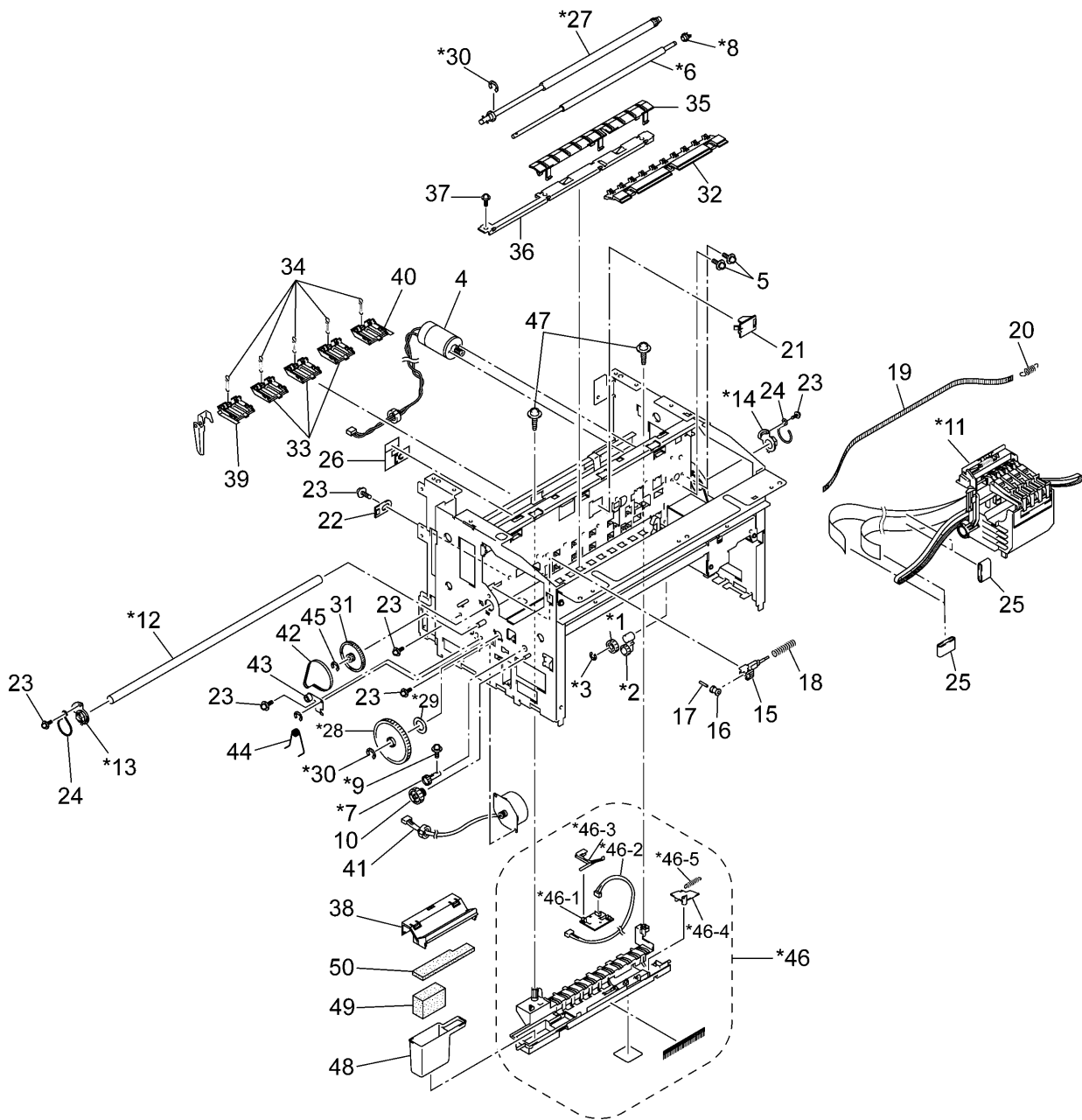
List1(ADF&TRAY)

REF.NO.	CODE	Q'TY	DESCRIPTION	REMARKS
1	LE2005001	1	ADF UNIT	
1-1	UG6609001	1	DOCUMENT SENSOR PCB	
1-2	LG2014001	1	DOCUMENT SENSOR HARNESS	
1-3	UF7026001	1	DOCUMENT FRONT SENSOR ACTUATOR	
1-4	LE2008001	1	DOCUMENT REAR SENSOR ACTUATOR	
1-5	LE2011001	1	COMPRESSION SPRING	
1-6	LE2551001	1	RUBBER HOLDER A	
1-7	UU2055001	1	SEPARATION RUBBER	
1-8	LE2550001	1	SPRING PLATE A	
1-9	LE2470001	1	ADF FILM	
1-10	UF6116001	1	TAPTITE, PAN B M3X6	
1-11	UF9009001	2	PRESSURE ROLLER	
1-12	LE2471001	1	PRESSURE ROLLER SHAFT	
1-13	LE2472001	2	PRESSURE ROLLER SPRING	
1-14	LE2566001	1	ADF MOTOR	
1-15	LG2015001	1	ADF MOTOR HARNESS	
1-16	0A4300605	2	SCREW, PAN (S/P WASHER) M3X6	
1-17	LG2016001	1	GROUNDING WIRE	
1-18	087310815	2	TAPTITE, CUP B M3X8	
1-19	LE2026001	1	UPPER LF ROLLER (GRAY)	
1-20	LE2029001	1	LOWER LF ROLLER (BLACK)	
1-21	LE2028001	1	DOCUMENT EJECTION ROLLER	
1-22	UF8105001	3	CONDUCTIVE BUSHING	
1-23	UU7039001	4	LF ROLLER GEAR 27	
1-24	LE2030001	1	WHITE ROLLER	
1-25	LE2032001	2	WHITE ROLLER BUSHING	
1-26	LE2033001	2	EXTENSION SPRING	
1-27	LE2919001	1	DOCUMENT FEED ROLLER HOLDER ASSY	
(1-27-1)	LE2037001	2	DOCUMENT FEED ROLLER (RUBBER)	
1-28	UU1290001	4	CONDUCTIVE BUSHING	
1-29	UU7505001	1	ANTI-STATIC BRUSH	
1-30	087320616	3	TAPTITE, CUP S M3X6	
1-31	UF0208001	1	ADF ARM	
1-32	LE2048001	1	DOCUMENT EJECTION CHUTE ASSY	
1-32-1	LE2582001	2	PINCH ROLLER	
1-32-2	UU2009001	2	PINCH ROLLER SPRING	
1-33	LE2050001	1	ADF SIDE COVER F, WHITE(1495)	
1-34	LE2051001	1	ADF SIDE COVER R, WHITE(1495)	
1-35	LE2534001	1	ADF COVER ASSY, WHITE(1495)	
1-36	087320816	2	TAPTITE, CUP S M3X8	
2	UF8088001	1	PLASTIC RETAINING RING	
3	LE2053001	2	ADF SUPPORT	
4	087310816	2	TAPTITE, CUP B M3X8	
5	LE2059001	1	DOCUMENT CHUTE, WHITE(1495)	
6	LE2487001	1	DOCUMENT SPONGE	
7	LE2056001	1	DOCUMENT TRAY, WHITE(1495)	
8	087320816	1	TAPTITE, CUP S M3X8	
9	LE2567001	2	HINGE A	
10	087311015	6	TAPTITE, CUP B M3X10	
11	LE2568001	2	HINGE HOLDER A	
12	LE2777001	1	DOCUMENT SUPPORT, WHITE(1495)	



List2(SCANNER UNIT)

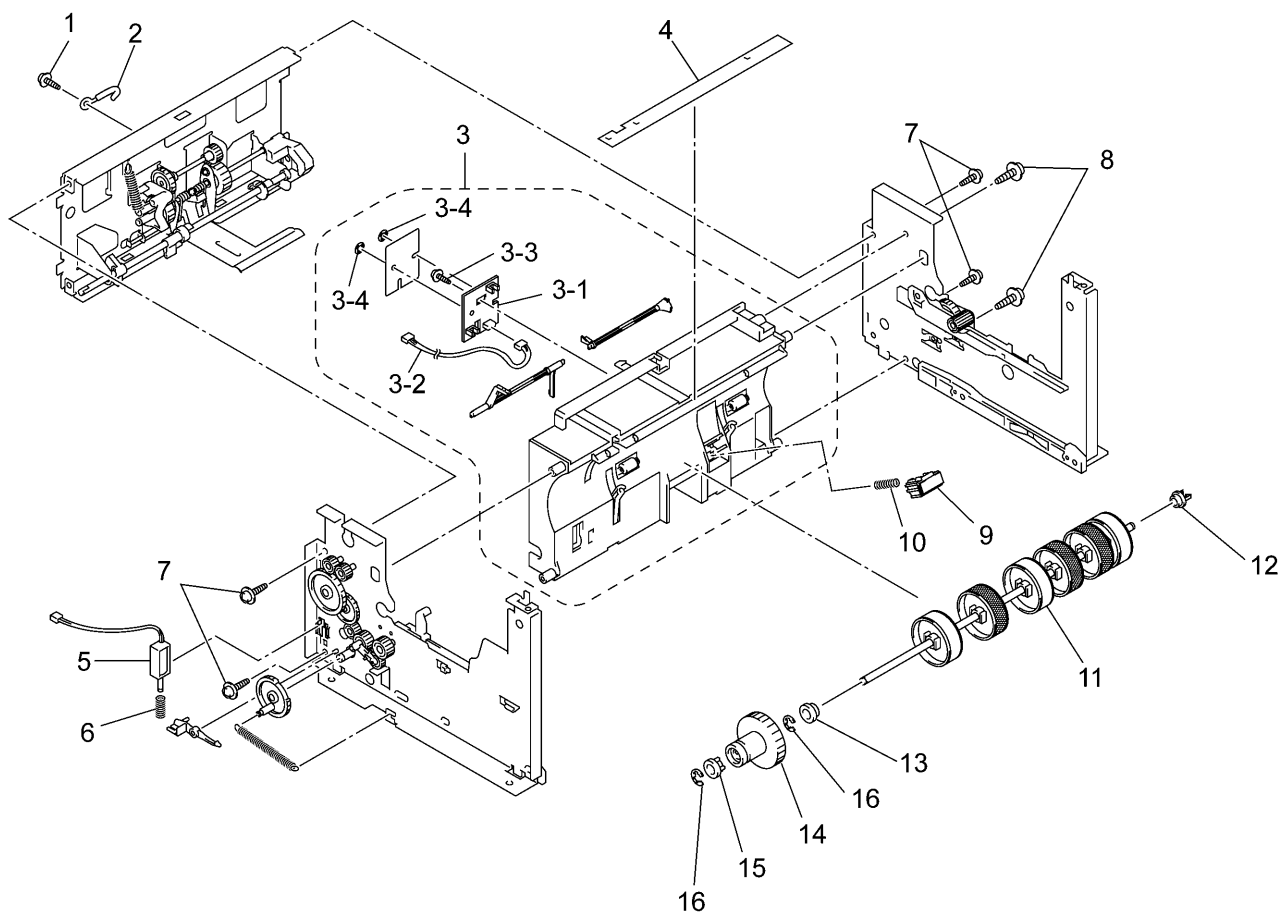
REF.NO.	CODE	Q'TY	DESCRIPTION	REMARKS
1	LE2883001	1	SCANNER UNIT SUPPLY ASSY	
1-1	UU7490001	1	CCD MOTOR	
1-2	LG2017001	1	CCD MOTOR HARNESS	
1-3	0A4300605	2	SCREW, PAN (S/P WASHER) M3X6	
1-4	LG2239001	1	CCD HP SENSOR	
1-5	LG2019001	1	CCD HP SENSOR HARNESS	
1-6	LG2025001	1	PANEL-MAIN HARNESS	
1-7	LE2074001	1	CCD IDLE PULLEY HOLDER ASSY	
1-8	LE2884001	1	CCD UNIT SUPPLY ASSY	
1-9	LG2196001	1	CCD FLAT CABLE	
1-10	LE2297001	1	CCD DRIVE BELT	
1-11	LE2082001	1	CCD LOCK	
1-12	LE2079001	1	COMPRESSION SPRING	
1-13	LE2098001	2	HINGE PLATE	
1-14	085411216	4	TAPTITE, BIND B M4X12	
1-15	LE2805001	2	TAPTITE, PAN B M3X10	
1-16	087411216	4	TAPTITE, CUP B M4X12	
1-17	LG2018001	1	COVER SENSOR PCB	
1-18	LG2137001	1	COVER SENSOR HARNESS	
1-19	087310815	1	TAPTITE, CUP B M3X8	
2	LE2095001	1	COVER SENSOR ACTUATOR	
3	LE2092001	1	HARNESS SUPPORT	
4	087310816	2	TAPTITE, CUP B M3X8	
5	LG2020001	1	FLAT CORE (CCD)	



List3(MAIN CHASIS)

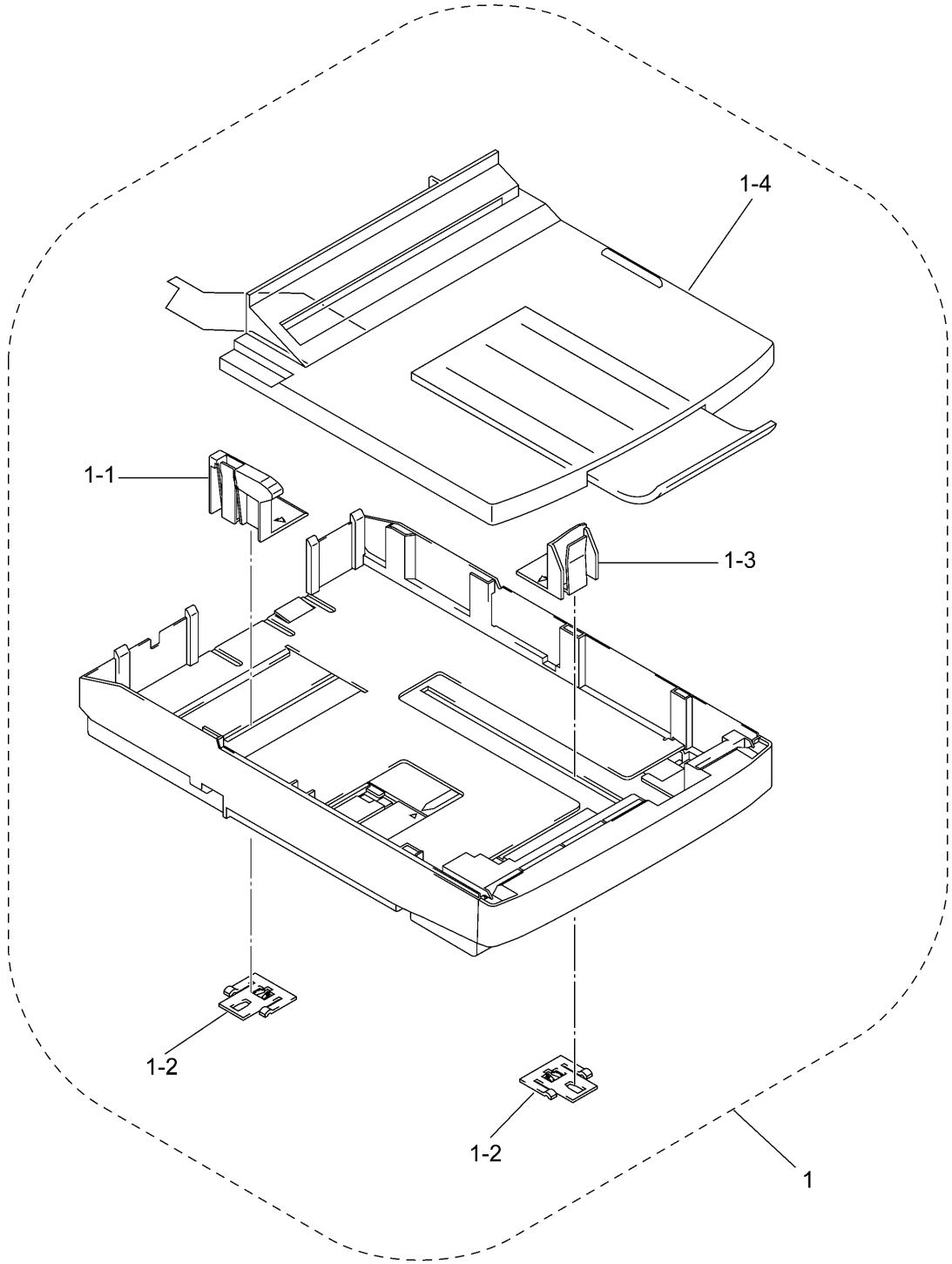
To replace part marked with an asterisk(*), you need the special adjustment jig set. If your service center has no special adjustment jig set, you cannot handle those parts as spare parts.

REF.NO.	CODE	Q'TY	DESCRIPTION	REMARKS
*1	LE2110001	1	IDLE GEAR 23	
*2	LE2111001	1	ARM 12.3 ASSY	
*3	048030345	1	RETAINING RING, E3	
4	UU1042001	1	CARRIAGE MOTOR	
5	0A5300605	2	SCREW, PAN (S/P WASHER) M3X6	
*6	UU1047001	1	PAPER EJECTION ROLLER	
*7	UU1049001	1	PAPER EJECTION ROLLER GEAR	
*8	UU1290001	1	CONDUCTIVE BUSHING	
*9	0A5260805	1	TAPTITE, PAN 2.6X8DB	
10	UU1050001	1	IDLE GEAR EJECTION	
*11	LE3079001	1	CARRIAGE ASSY (SUPPLY ASSY INCLUDING CR DRIVE BELT AND FLAT CABLES)	
*12	UU1077001	1	CARRIAGE RAIL	
*13	UU1078001	1	ECCENTRIC BUSHING L	
*14	UU1079001	1	ECCENTRIC BUSHING R	
15	UU1081001	1	IDLE PULLEY HOLDER	
16	UD6023000	1	IDLE PULLEY	
17	UD6025001	1	IDLE PULLEY SHAFT	
18	LE0010001	1	TENSION SPRING	
19	UD6014001	1	ENCODER STRIP	
20	UD6012001	1	SPRING, EXTENSION	
21	UU1088001	1	FFC HOLDER	
22	UU1286001	1	IDLE PULLEY STOPPER	
23	0A5300805	6	SCREW, PAN (S/P WASHER) M3X8	
24	UU1476001	2	BUSHING LOCK	
25	UG5569000	2	FLAT CORE	
26	UU1459001	1	CORE SUPPORT	
*27	LE2933001	1	PAPER FEED ROLLER	
*28	UU1094001	1	PAPER FEED ROLLER GEAR L	
*29	UU1092001	1	SPACER	
*30	048080345	2	RETAINING RING, E8	
31	UU1428001	1	IDLE GEAR P720	
32	UU1108001	1	STAR WHEEL HOLDER ASSY	
33	LE2759001	3	PAPER PRESSURE HOLDER ASSY	
34	UU1115001	5	PRESSER ROLLER SPRING	
35	UU1116001	1	PLATEN	
36	UU1117001	1	PLATEN FRAME	
37	087320616	1	TAPTITE, CUP S M3X6	
38	UU1315001	1	FLUSHING FOAM GUTTER	
39	LE2760001	1	PAPER PRESSURE HOLDER L	
40	LE2761001	1	PAPER PRESSURE HOLDER R	
41	LE2479001	1	PAPER FEED MOTOR	
42	UU1446001	1	PF DRIVE BELT	
43	UU1450001	1	TENSION PLATE ASSY	
44	UU1444001	1	SPRING	
45	048040345	1	RETAINING RING, E4	
*46	LE2117001	1	LOWER CHUTE ASSY	
*46-1	UG6609001	1	PAPER EJECTION/CASSETTE SENSOR PCB	
*46-2	LG2021001	1	PAPER EJECTION/CASSETTE SENSOR HARNESS	
*46-3	LE2119001	1	PAPER EJECTION SENSOR ACTUATOR	
*46-4	LE2120001	1	CASSETTE SENSOR ACTUATOR	
*46-5	UD4336001	1	ACTUATOR SPRING	
47	087411015	2	TAPTITE, CUP B M4X10	
48	UU1449001	1	FLUSHING FOAMS PACK	
49	UU1199001	2	LOWER FLUSHING FOAM	
50	UU1200001	1	UPPER FLUSHING FOAM	



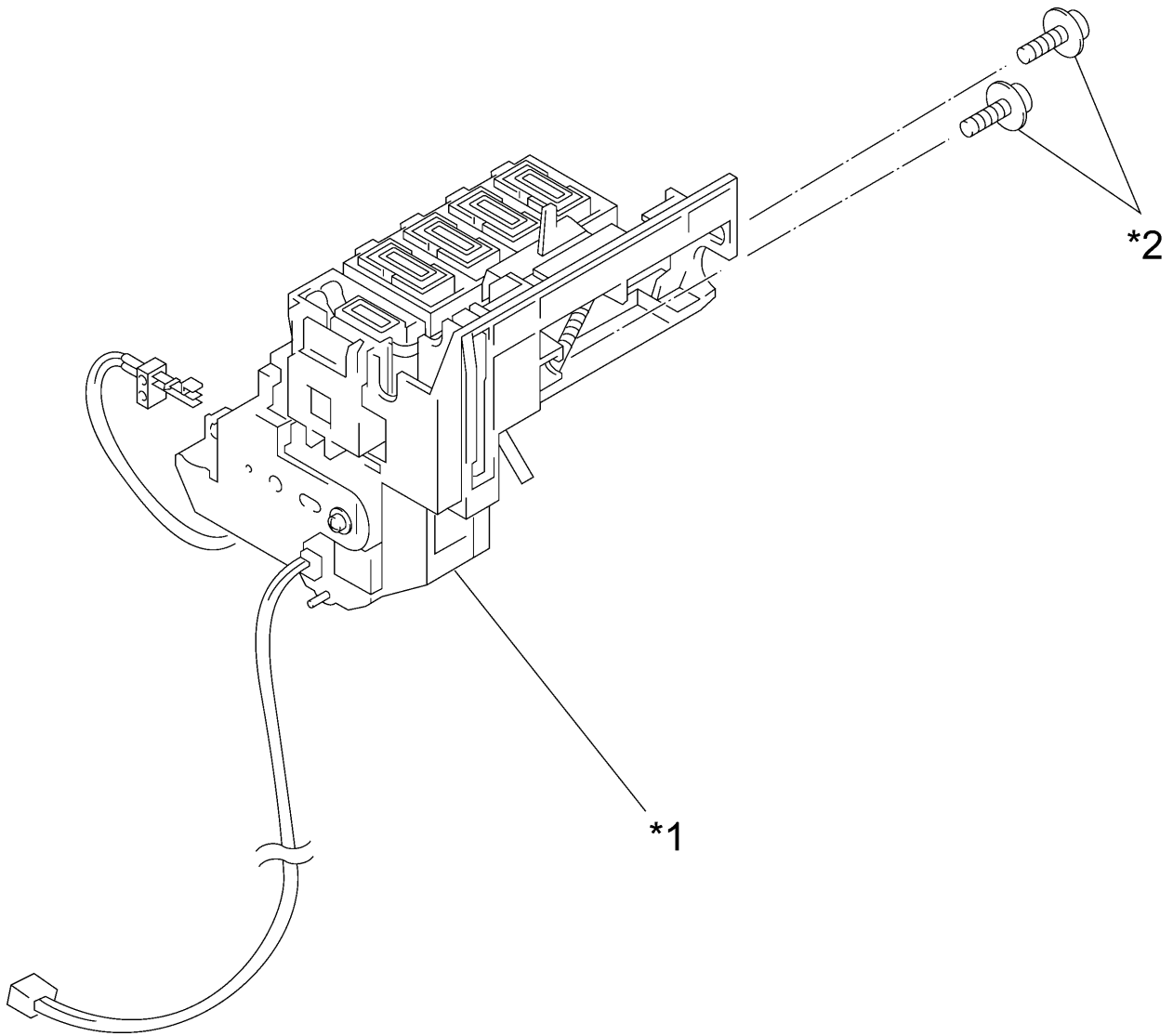
List4(PAPER TRANSPORT)

REF.NO.	CODE	Q'TY	DESCRIPTION	REMARKS
1	087320616	1	TAPTITE, CUP S M3X6	
2	LE2489001	1	CABLE CLIP	
3	LE2157001	1	UPPER PAPER CHUTE ASSY	
3-1	UG6609001	1	PAPER WIDTH/REGISTRATION SENSOR PCB	
3-2	LG2022001	1	PAPER WIDTH/REGISTRATION SENSOR HARNESS	
3-3	087270816	1	TAPTITE, CUP B M2.6X8	
3-4	UF0250000	2	PUSH NUT 3	
4	LE2169001	1	CHUTE FILM	
5	LE2481001	1	SOLENOID	
6	UD4319001	1	SOLENOID SPRING	
7	087320616	4	TAPTITE, CUP S M3X6	
8	087311017	2	TAPTITE, CUP B M3X10	
9	LE2208001	1	SEPARATION PAD HOLDER ASSY	
10	LE2211001	1	SEPARATION PAD SPRING	
11	LE2213001	1	PAPER PICK-UP ROLLER ASSY	
12	UU1290001	1	PAWLED BUSHING	
13	UF8105001	1	CONDUCTIVE BUSHING	
14	LE2220001	1	PAPER PICK-UP ROLLER GEAR ASSY	
15	LE2482001	1	COLLAR STOPPER	
16	048050346	2	RETAINING RING, E5	



List5(PAPER CASSETTE)

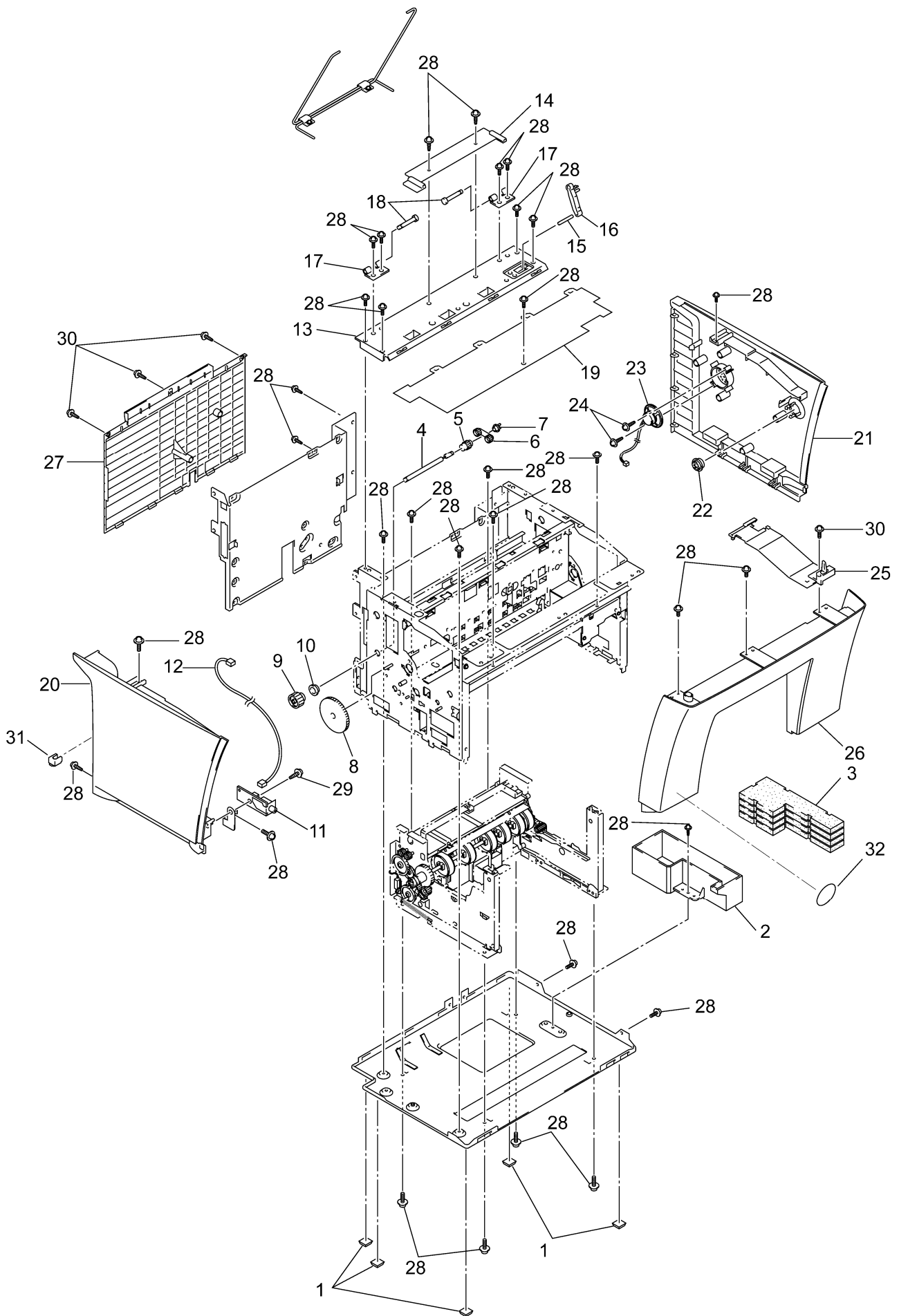
REF.NO.	CODE	Q'TY	DESCRIPTION	REMARKS
1	LE2228001	1	PAPER CASSETTE ASSY	
1-1	LE2234001	1	SIDE PAPER GUIDE	
1-2	LE2235001	2	GUIDE STOPPER	
1-3	LE2236001	1	FRONT PAPER GUIDE	
1-4	LE2239001	1	CASSETTE COVER	



List6(PURGE UNIT)

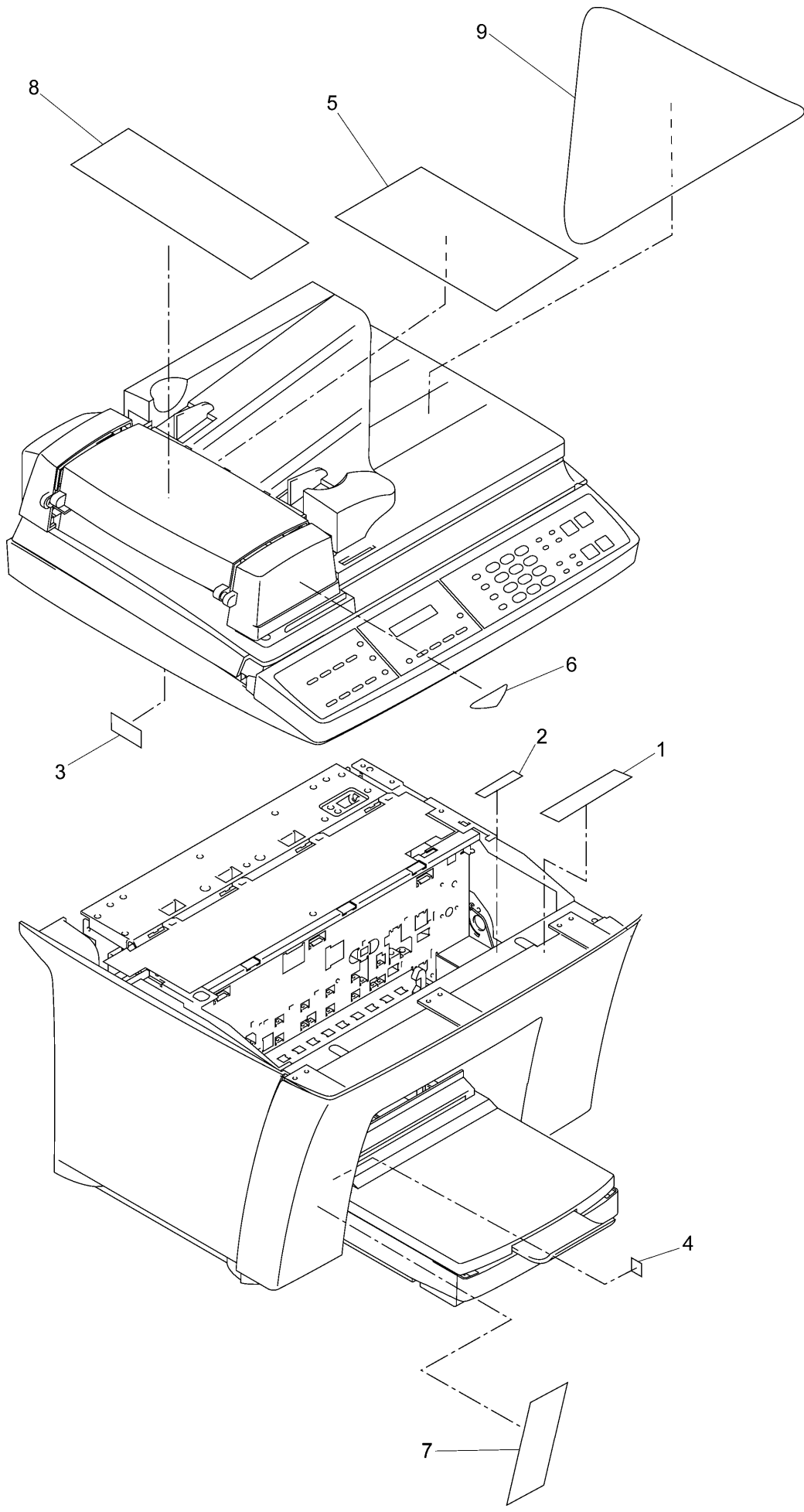
To replace part marked with an asterisk(*), you need the special adjustment jig set. If your service center has no special adjustment jig set, you cannot handle those parts as spare parts.

REF.NO.	CODE	Q'TY	DESCRIPTION	REMARKS
*1	LE2242001	1	PURGE UNIT ASSY	
*2	0A5300605	2	SCREW, PAN (S/P WASHER) M3X6	



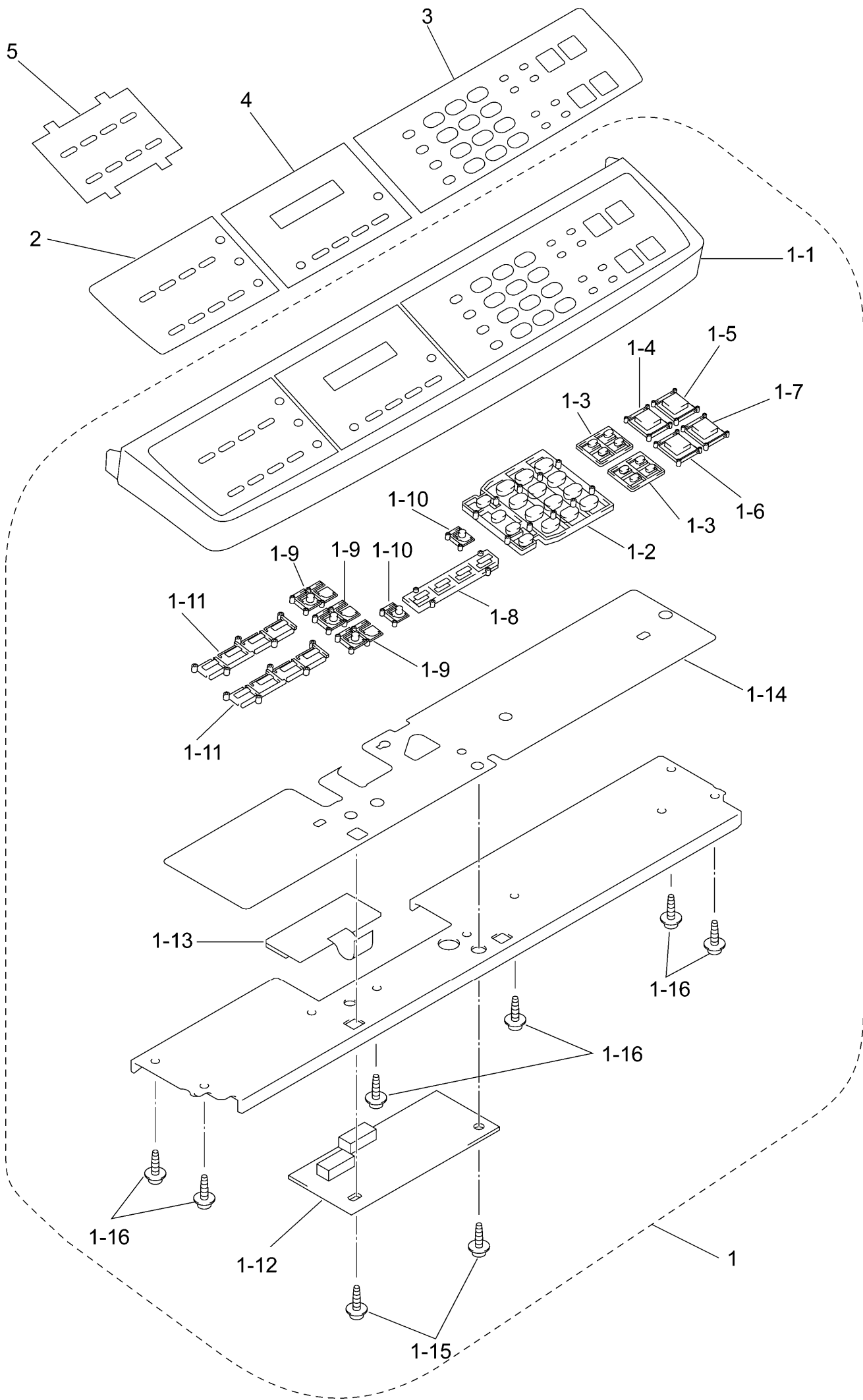
List7(COVER)

REF.NO.	CODE	Q'TY	DESCRIPTION	REMARKS
1	UL5600001	5	RUBBER FOOT	
2	LE2246001	1	DRAIN TANK	
3	UU1198001	4	INK ABSORBER	
4	LE2223001	1	PAPER FEED SHAFT ASSY	
5	LE2225001	1	GEAR M0.5/25	
6	LE2226001	1	ONE WAY ARM ASSY	
7	UU1290001	1	CONDUCTIVE BUSHING	
8	LE2221001	1	IDLE GEAR	
9	LE2222001	1	GEAR M0.6/25	
10	UF0022000	1	BUSHING	
11	UG5717001	1	VC CONNECTOR PCB ASSY FOR GER/UK/NOR/BEL/NLD/CHE/DEN/SPA/ITA/SWE	
12	LG2195001	1	VC HARNESS FOR GER/UK/NOR/BEL/NLD/CHE/DEN/SPA/ITA/SWE	
13	LE2248001	1	REAR FRAME	
14	LE2577001	1	TORSION BAR SUPPORT	
15	LE2773001	1	LINK SHAFT	
16	LE2758001	1	LINK	
17	LE2252001	2	HINGE PLATE	
18	LE2253001	2	PIVOT PIN	
19	LE2545001	1	COVER SHEET	
20	LE2260001	1	SIDE COVER L, WHITE(1495)	
21	LE2263001	1	SIDE COVER R, WHITE(1495)	
22	LE2264001	1	OPEN BUTTON	
23	LG2187001	1	SPEAKER	
24	UU1225001	2	TAPTITE, CUP B M4X10	
25	LE2265001	1	INNER COVER, WHITE(1495)	
26	LE3471001	1	FRONT COVER, WHITE(1495)	
27	LE2499001	1	REAR COVER, WHITE(1495)	
28	087320616	32	TAPTITE, CUP S M3X6	
29	087310815	1	TAPTITE, CUP B M3X8 FOR GER/UK/NOR/BEL/NLD/CHE/DEN/SPA/ITA/SWE	
30	087321016	4	TAPTITE, CUP S M3X10	
31	UF5745000	1	MJ COVER, EXT FOR FOR GER/UK/FRA/BEL/NLD/DEN/ITA/SWE	
32	LE2778001	1	VIDEO CAPTURE COVER SEAL FOR FRA	



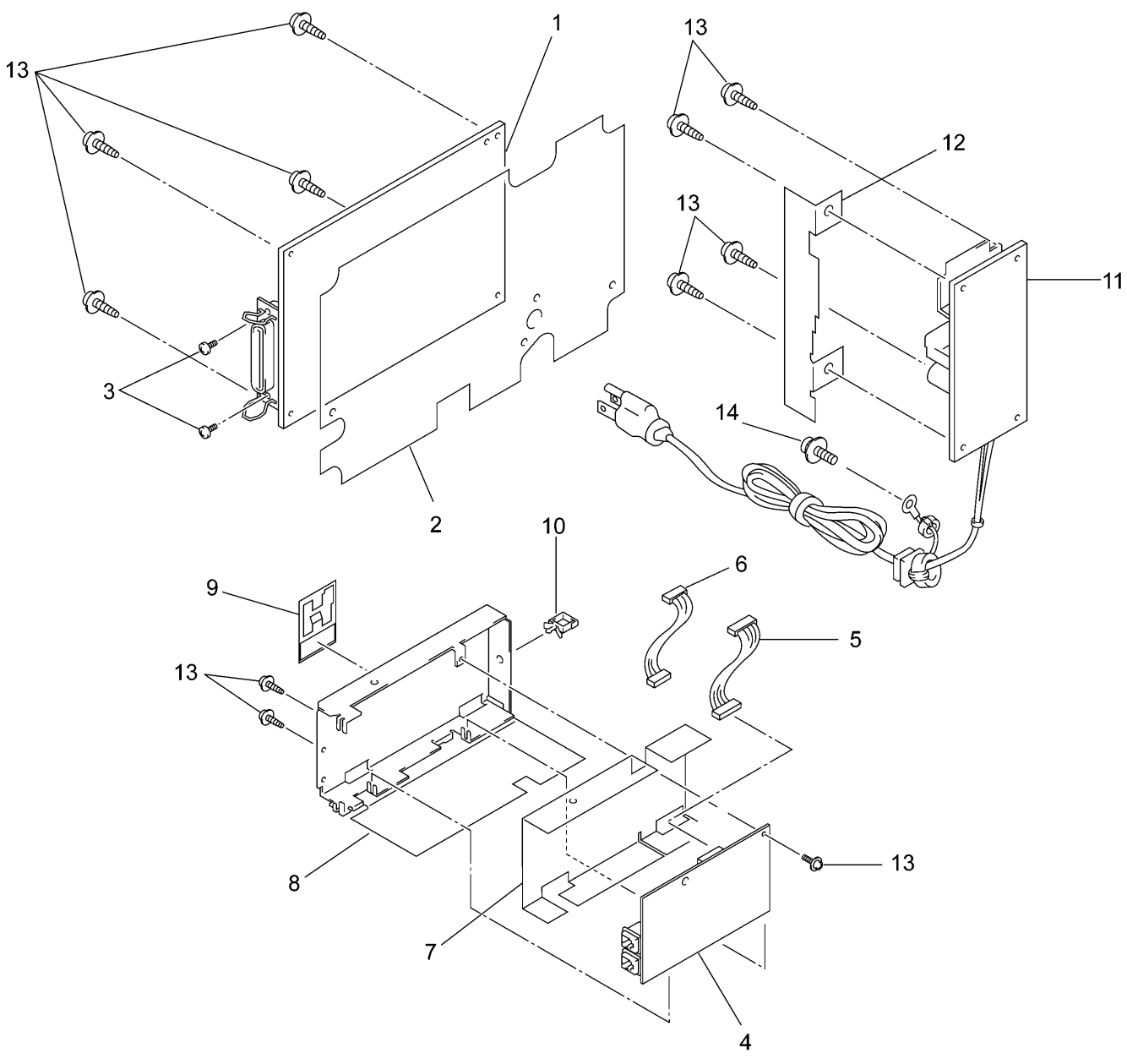
List8(LABEL)

REF.NO.	CODE	Q'TY	DESCRIPTION	REMARKS
1	UU1235001	1	INK REPLACEMENT INSTRUCTION LABEL	
2	UU1236001	1	HEAD GAP ADJUSTMENT INSTRUCTION LABEL	
4	LE2859001	1	PAPER JAM CLEARANCE INSTRUCTION LABEL	
5	UU0456001	1	PROTECTION PAPER	
6	LE2498001	1	COLOR MARK	
7	UU1351001	1	VIDEO MYLAR LABEL BY2, EUR FOR GER/UK/NOR/BEL/NLD/CHE/DEN/SPA/ITA/SWE	
8	LE2501003	1	MYLAR LABEL 760 FOR GER	
8	LE2501004	1	MYLAR LABEL 760 FOR UK/CHE	
8	LE2501005	1	MYLAR LABEL 760 FOR FRA	
9	---		NOT USE	



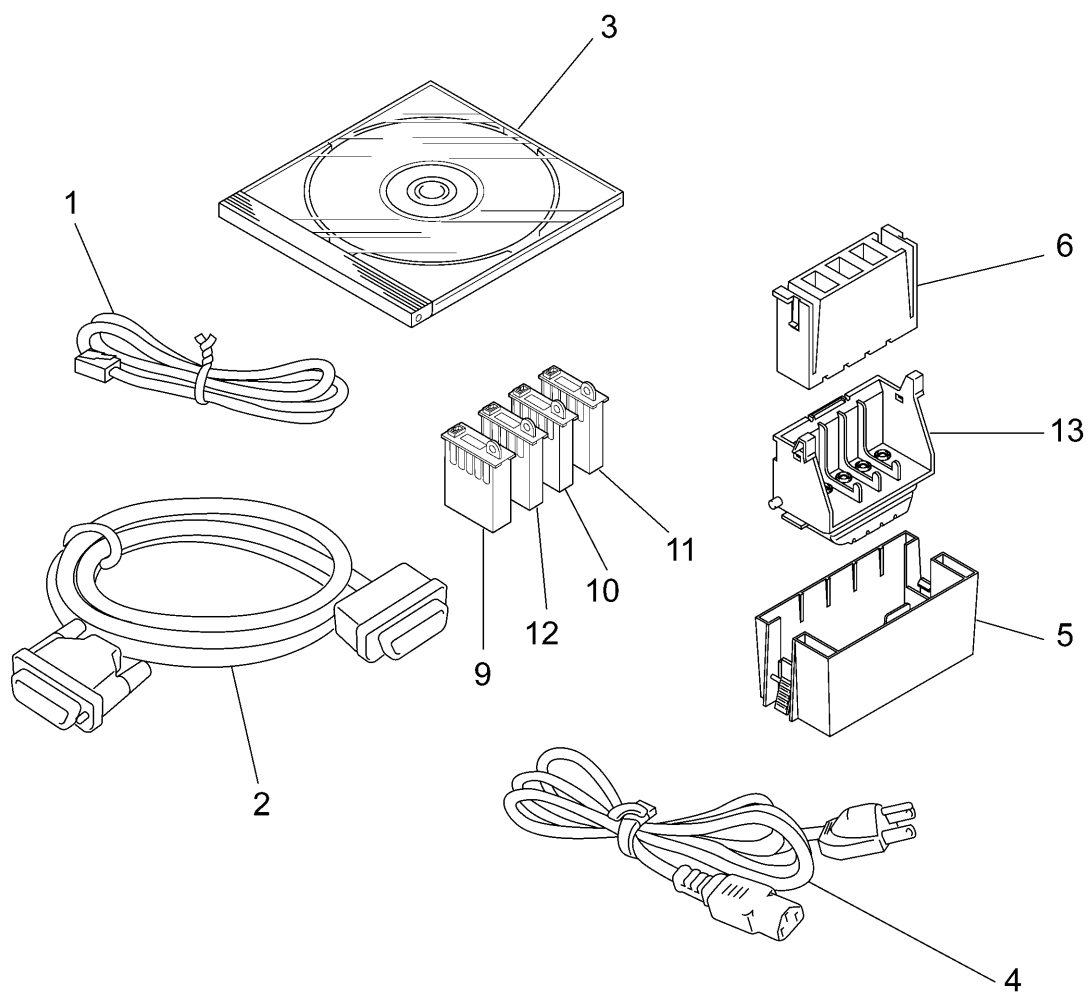
List9(CONTROL PANEL)

REF.NO.	CODE	Q'TY	DESCRIPTION	REMARKS
1	LE2272001	1	CONTROL PANEL ASSY, WHITE(1495)	
1-1	LE2273001	1	CONTROL PANEL, WHITE(1495)	
1-2	UF4393007	1	KEY, TEN, WHITE(1495)	
1-3	LE2274001	2	KEY, COPY/FAX AREA, WHITE(1495)	
1-4	UF8174008	1	KEY, MONO COPY, WHITE(1495)	
1-5	UF8174009	1	KEY, COLOR COPY, GREEN(5159)	
1-6	UF8174010	1	KEY, STOP, PINK(2205)	
1-7	UF8174011	1	KEY, START, PURPLE(6255)	
1-8	UF8176009	1	KEY, FUNCTION4, GRAY(1509)	
1-9	UF4576008	3	KEY, SHIFT, WHITE(1495)	
1-10	UF4576010	2	KEY, SHIFT, GRAY(1509)	
1-11	UF9118006	2	KEY, ONE TOUCH, WHITE(1495)	
1-12	LG2138001	1	CONTROL PANEL PCB ASSY	
1-13	UG4552000	1	LCD	
1-14	LG2190001	1	FPC KEY ASSY	
1-15	087270815	2	TAPTITE, CUP B M2.6X8	
1-16	087310615	6	TAPTITE, CUP B M3X6	
2	LE2508001	1	PANEL SHEET-1 FOR GER	
2	LE2277001	1	PANEL SHEET-1 FOR UK/BEL/NLD/CHE	
2	LE2514001	1	PANEL SHEET-1 FOR FRA	
2	LE2811001	1	PANEL SHEET-1 FOR NOR	
2	LE2814001	1	PANEL SHEET-1 FOR DEN	
2	LE2817001	1	PANEL SHEET-1 FOR SPA	
2	LE2820001	1	PANEL SHEET-1 FOR ITA	
2	LE2823001	1	PANEL SHEET-1 FOR SWE	
3	LE2509001	1	PANEL SHEET-2 FOR GER	
3	LE2512001	1	PANEL SHEET-2 FOR UK/BEL/NLD/CHE	
3	LE2515001	1	PANEL SHEET-2 FOR FRA	
3	LE2812001	1	PANEL SHEET-2 FOR NOR	
3	LE2815001	1	PANEL SHEET-2 FOR DEN	
3	LE2818001	1	PANEL SHEET-2 FOR SPA	
3	LE2821001	1	PANEL SHEET-2 FOR ITA	
3	LE2824001	1	PANEL SHEET-2 FOR SWE	
4	LE2510001	1	LCD SHEET FOR GER	
4	LE2513001	1	LCD SHEET FOR UK/BEL/NLD/CHE	
4	LE2516001	1	LCD SHEET FOR FRA	
4	LE2813001	1	LCD SHEET FOR NOR	
4	LE2816001	1	LCD SHEET FOR DEN	
4	LE2819001	1	LCD SHEET FOR SPA	
4	LE2822001	1	LCD SHEET FOR ITA	
4	LE2825001	1	LCD SHEET FOR SWE	
5	LE2280001	1	ADDRESS LABEL	



List10(PCB ASSY)

REF.NO.	CODE	Q'TY	DESCRIPTION	REMARKS
1	LG2233001	1	MAIN PCB ASSY	
2	LE2258001	1	INSULATION FILM (MAIN)	
3	002300615	2	SCREW, PAN M3X6	
4	LG2295001	1	NCU PCB ASSY	
5	LG2140001	1	NCU MAIN HARNESS	
6	LG2231001	1	NCU MAIN HARNESS 2	
7	LE2257001	1	INSULATION FILM (NCU)	
8	LE2484001	1	INSULATION FILM 2 (NCU)	
9	LE2543001	1	CORE SUPPORT	
10	UG4163000	1	CABLE CLAMP	
11	UG5573001	1	POWER SUPPLY PCB (EXCLUDING AC CORD)	
12	LE2483001	1	INSULATION FILM (POWER SUPPLY)	
13	087320616	11	TAPTITE, CUP S M3X6	
14	UF6559001	1	SCREW, PAN (WASHER) M4X8DB	



List11(Accessories&Others)

REF.NO.	CODE	Q'TY	DESCRIPTION	REMARKS
1	UG3565001	1	TELEPHONE LINE CORD FOR GER	
1	UG3626001	1	TELEPHONE LINE CORD FOR UK	
1	UG3627001	1	TELEPHONE LINE CORD FOR FRA	
1	UG3290001	1	TELEPHONE LINE CORD FOR NOR	
1	UG1575001	1	TELEPHONE LINE CORD FOR BEL	
1	UG3631001	1	TELEPHONE LINE CORD FOR NLD	
1	UG3469000	1	TELEPHONE LINE CORD FOR CHE	
1	UG3633001	1	TELEPHONE LINE CORD FOR DEN	
1	UG3634001	1	TELEPHONE LINE CORD FOR ITA	
1	UG3635001	1	TELEPHONE LINE CORD FOR SWE	
1	UG1570001	1	TELEPHONE LINE CORD FOR SPA	
2	UG4558001	1	INTERFACE CABLE FOR GER/UK	
3	LE2502001	1	CD-ROM ASSY	
4	LG2085001	1	AC CORD FOR GER/FRA/NOR/BEL/NLD/SPA/ITA/SWE	
4	LG2086001	1	AC CORD FOR UK	
4	LG2087001	1	AC CORD FOR CHE	
4	LG2181001	1	AC CORD FOR DEN	
5	ZA0423001	1	HEAD NOZZLE SEALS (INCLUDING 10PCS)	
6	ZA0424001	1	HEAD FILTER SEALS (INCLUDING 10PCS)	
(7)	ZA0310001	1	HEAD CLEANER STICK ASSY	
(8)	ZA0509001	1	INITIAL LIQUID CARTRIDGE ASSY (INCLUDING 4 EMPTY CARTRIDGES)	
9	ZA0492001	1	BLACK INK CARTRIDGES (INCLUDING 100PCS)	
10	ZA0495001	1	CYAN INK CARTRIDGES (INCLUDING 100PCS)	
11	ZA0498001	1	MAGENTA INK CARTRIDGES (INCLUDING 100PCS)	
12	ZA0501001	1	YELLOW INK CARTRIDGES (INCLUDING 100PCS)	
13	LK0045001	1	PRINT HEADS HD002 (INCLUDING 10PCS)	
(14)	ZA0304001	1	INITIAL LIQUID ASSY (INCLUDING INITIAL LIQUID (120CC) AND SYRINGE (25CC))	
(15)	LE0026001	1	FOAM EMPTY CARTRIDGE FOR INK SENSOR ADJUSTMENT	
(16)	LE0025001	1	EMPTY CARTRIDGE FOR INK SENSOR ADJUSTMENT	
(17)	UF9258001	1	COLOR TEST CHART CTC-001	
(18)	UF4600001	1	CONTRAST CHECK CHART TC-023	

List12(PRINTED MATERIAL)

REF.NO.	CODE	Q'TY	DESCRIPTION	REMARKS
(1)	LE2517001	1	OWNER'S MANUAL ASSY FOR GER (INCLUDING OWNER'S MANUAL(1-1), WARRANTY CARD AND MFL MANUAL(1-2))	
(1)	LE2518001	1	OWNER'S MANUAL ASSY FOR UK (INCLUDING OWNER'S MANUAL(1-1), 3 WARRANTY CARDS AND MFL MANUAL(1-2))	
(1)	LE2519001	1	OWNER'S MANUAL ASSY FOR FRA (INCLUDING OPERATIONS MANUAL(1-1), 2 WARRANTY CARDS AND MFL MANUAL(1-2))	
(1)	LE2826001	1	OWNER'S MANUAL ASSY FOR NOR (INCLUDING OPERATIONS MANUAL(1-1), 2 WARRANTY CARDS AND MFL MANUAL(1-2))	
(1)	LE2827001	1	OWNER'S MANUAL ASSY FOR BEL (INCLUDING 2 OPERATIONS MANUALS(1-1), WARRANTY CARD AND MFL MANUAL(1-2))	
(1)	LE2828001	1	OWNER'S MANUAL ASSY FOR NLD (INCLUDING OPERATIONS MANUAL(1-1), WARRANTY CARD AND MFL MANUAL(1-2))	
(1)	LE2520001	1	OWNER'S MANUAL ASSY FOR CHE (INCLUDING 2 OPERATIONS MANUALS(1-1), WARRANTY CARD AND MFL MANUAL(1-2))	
(1)	LE2829001	1	OWNER'S MANUAL ASSY FOR DEN (INCLUDING OPERATIONS MANUAL(1-1), WARRANTY CARD AND MFL MANUAL(1-2))	
(1)	LE2830001	1	OWNER'S MANUAL ASSY FOR SPA (INCLUDING OPERATIONS MANUAL(1-1), 2 WARRANTY CARDS AND MFL MANUAL(1-2))	
(1)	LE2831001	1	OWNER'S MANUAL ASSY FOR ITA (INCLUDING OPERATIONS MANUAL(1-1), WARRANTY CARD AND MFL MANUAL(1-2))	
(1)	LE2832001	1	OWNER'S MANUAL ASSY FOR SWE (INCLUDING OPERATIONS MANUAL(1-1), 2 WARRANTY CARDS AND MFL MANUAL(1-2))	
(1-1)	LE2535003	1	OWNER'S MANUAL FOR GER	
(1-1)	LE2505004	1	OWNER'S MANUAL FOR UK	
(1-1)	LE2505005	1	OWNER'S MANUAL FOR FRA	
(1-1)	LE2505007	1	OWNER'S MANUAL FOR NOR	
(1-1)	LE2505008	1	OWNER'S MANUAL FOR BEL/NLD	
(1-1)	LE2506008	1	OWNER'S MANUAL FOR BEL/CHE	
(1-1)	LE2505010	1	OWNER'S MANUAL FOR CHE	
(1-1)	LE2505013	1	OWNER'S MANUAL FOR DEN	
(1-1)	LE2505015	1	OWNER'S MANUAL FOR SPA	
(1-1)	LE2505016	1	OWNER'S MANUAL FOR ITA	
(1-1)	LE2505026	1	OWNER'S MANUAL FOR SWE	
(1-2)	LE1051003	1	MFL MANUAL FOR GER/UK/FRA/BEL/NLD/CHE	
(1-2)	LE1051007	1	MFL MANUAL FOR NOR/DEN/SPA/ITA/SWE	

List13(CARTON)

REF.NO.	CODE	Q'TY	DESCRIPTION	REMARKS
(1)	LE2507003	1	CARTON, BROTHER MFC760 FOR GER	
(1)	LE2507004	1	CARTON, BROTHER MFC760 FOR UK/CHE	
(1)	LE2507005	1	CARTON, BROTHER MFC760 FOR FRA	
(1)	LE2833001	1	CARTON, BROTHER MFC760 FOR NOR/BEL/NLD/DEN/SPA/ITA/SWE	
(2)	LE2288001	1	STYROFOAM ASSY	
(3)	LE2565001	1	POLY-ETHYLENE BAG FOR MACHINE, 900X850	
(3)	LE2565002	1	POLY-ETHYLENE BAG FOR MACHINE, 900X850 ONLY FOR FRA	
(4)	LE2291001	1	CARTON, FOR MANUAL	
(5)	LE2292001	1	PAD, 320X240	