



**FACSIMILE EQUIPMENT
PARTS REFERENCE LIST**

MODEL: MFC8220

**(For Germany / United Kingdom / France /
Belgium / Netherlands / Switzerland /
Ireland / Denmark / Austria / Spain / Italy /
Portugal / China / Asia /
Oceania (Australia & New Zealand) /
Pan-Nordic (Norway, Finland & Sweden) /
Euro Generic)**

© Copyright Brother 2004

All rights reserved

No part of this publication may be reproduced in any form
or by any means without permission in writing from the
publisher.

Specifications are subject to change without prior notice.

NOTES FOR USING THIS PARTS REFERENCE LIST

1. In the case of ordering parts, it needs mentioning the following items:

- (1) Code
- (2) Q' ty
- (3) Description

Note: No orders without Parts Code or Tool No. can be accepted.

[Example]

REF.NO.	(1) CODE	(2) Q' TY	(3) DESCRIPTION	REMARKS

2. Design-changed parts:

When the parts are changed, any one of the following symbols is mentioned in the REMARKS column.

CHG (chg): The part is changed to a new part.

ADD (add): The part is newly added.

DEL (del): The part is deleted.

Symbol in capital letters indicates that the change is the latest one in the page.

3. Parts change will be informed by the technical information.

COUNTRIES

GERMAN ----- GER

UNITED KINGDOM ----- UK

FRANCE ---- FRA

BELGIUM ---- BEL

NETHERLANDS ---- NLD

SWITZERLAND ---- CHE

IRELAND ---- IRE

DENMARK ---- DEN

AUSTRIA ---- AUS

SPAIN ---- SPA

ITALY ---- ITA

PORTUGAL ---- POR

CHINA----CHN

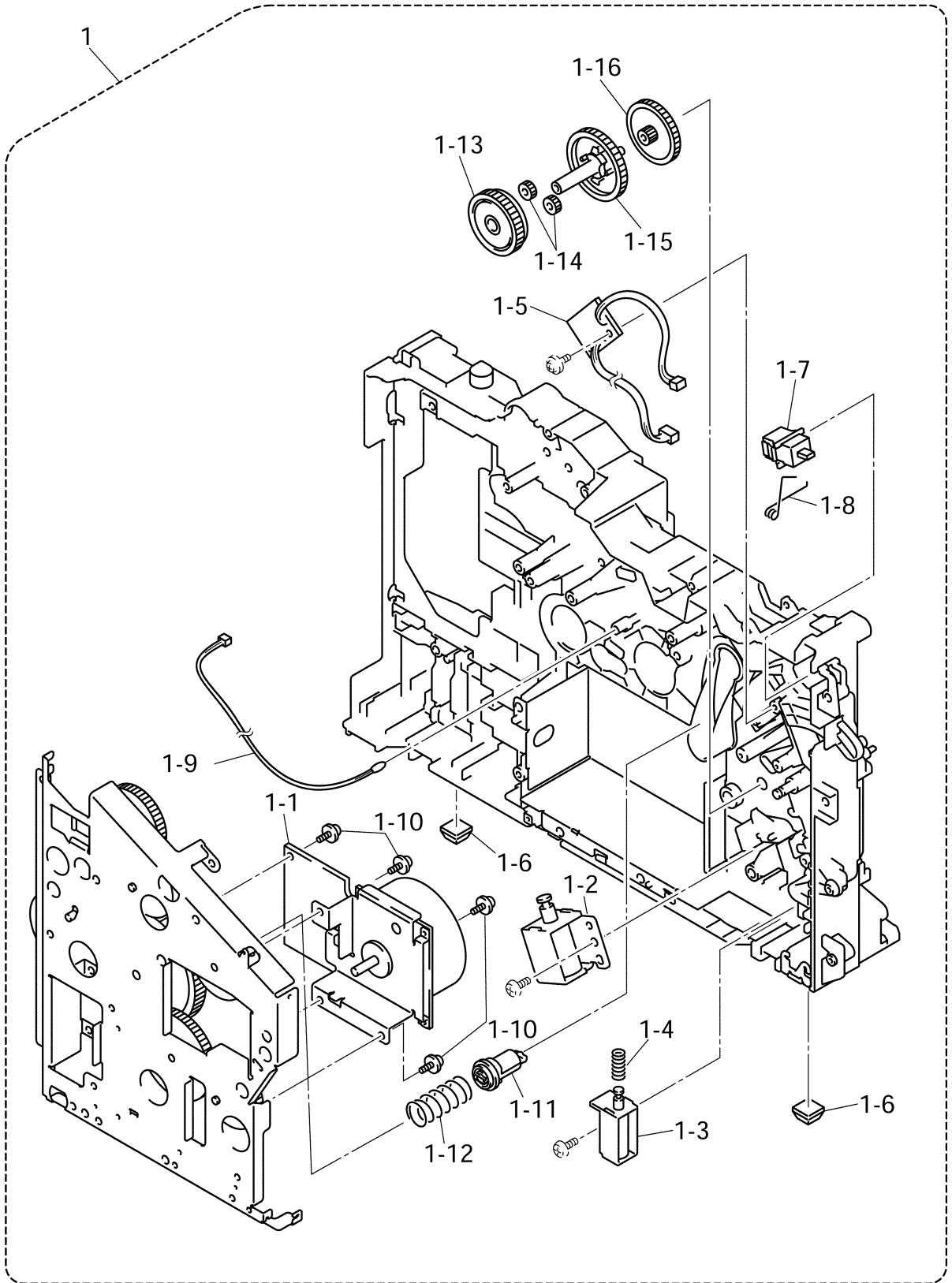
ASIA ---- ASA

OCEANIA (ARL & NZ) ---- OCE

PAN NORDIC (NOR, FIN & SWE) ---- PND

EURO GENERIC ---- GNR

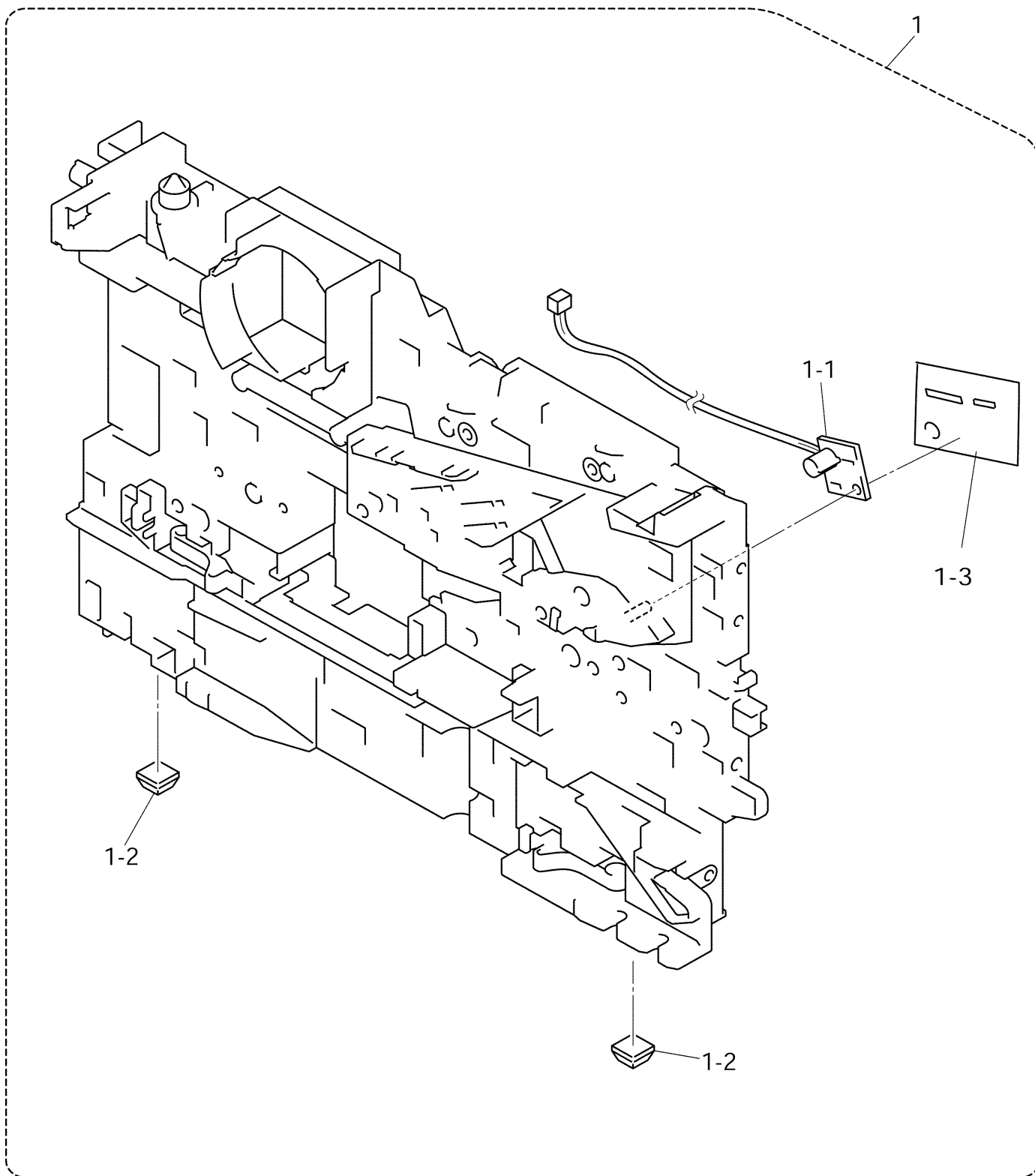
1. FRAME L



LIST1(FRAME L)

REF No.	CODE	Q'TY	DESCRIPTION	RECOMMEND	ORDER TO BIUK	REMARK
1	LF2561001	1	MAIN FRAME L UNIT			
1-1	LM2440001	1	MAIN MOTOR ASSY			
1-2	LJ7386001	1	F/R SOLENOID ASSY			
1-3	LJ7391001	1	P/R SOLENOID ASSY			
1-4	LJ5014001	1	SOLENOID RELEASE SPRING P/R			
1-5	LJ9166001	1	TONER LED PCB UNIT ASSY			
1-6	LJ7403001	2	RUBBER FOOT			
1-7	LG3218001	1	DOCUMENT COVER SENSOR			
1-8	LJ7784001	1	SENSOR CLIP			
1-9	LG4518001	1	THERMISTOR ASSY			
1-10	087320616	4	TAPTITE, CUP S M3X6			
1-11	LJ7377001	1	DEVELOP JOINT			
1-12	LJ7376001	1	JOINT SPRING			
1-13	UH3044000	1	GEAR, 40/54Y			
1-14	UL6569000	2	GEAR 17 PLANETARY			
1-15	UL8977001	1	GEAR 45 ARM F/R			
1-16	LM2444001	1	GEAR 20 CENTER F/R			

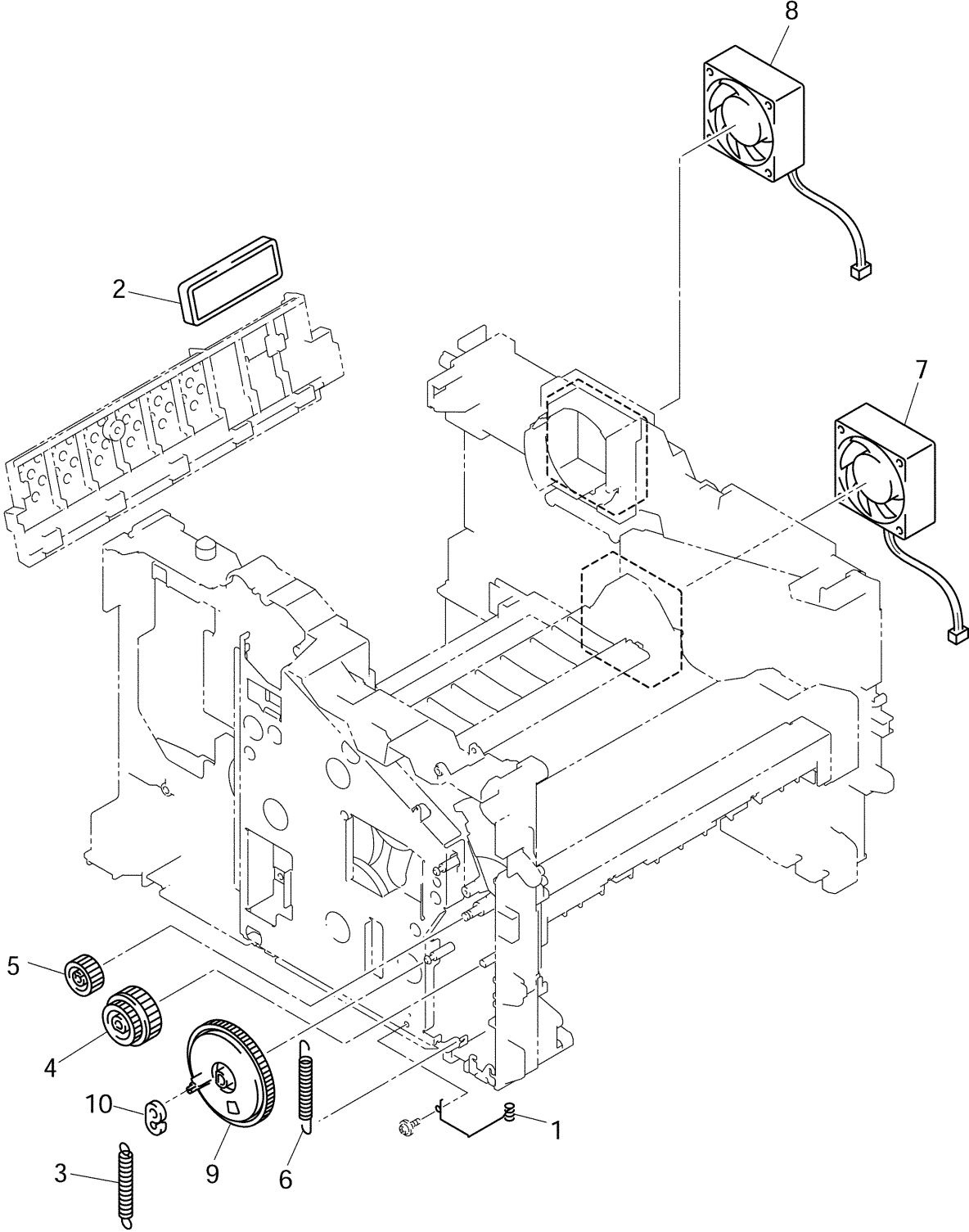
2. FRAME R



LIST2(FRAME R)

REF No.	CODE	Q'TY	DESCRIPTION	RECOMMEND	ORDER TO BIUK	REMARK
1	LM2733001	1	MAIN FRAME R UNIT			
1-1	LJ9612001	1	TONER SENSOR PCB UNIT			
1-2	LJ7403001	2	RUBBER FOOT			
1-3	LM2731001	1	TE FILM			

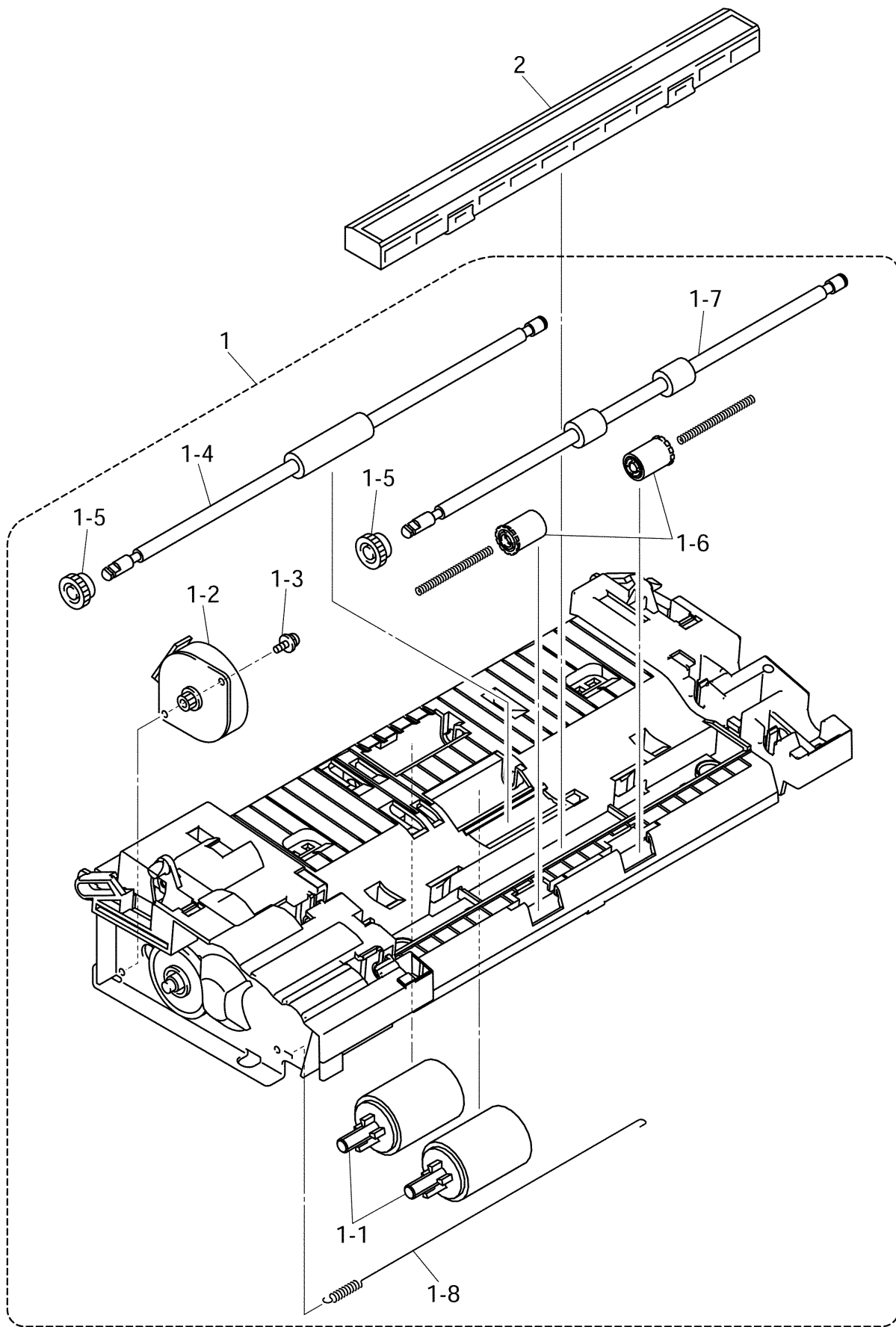
3. FRAME UNIT



LIST3(FRAME UNIT)

REF No.	CODE	Q'TY	DESCRIPTION	RECOMMEND	ORDER TO BIUK	REMARK
1	LJ7490001	1	GROUND SPRING			
2	LM2445001	1	FILTER			
3	LJ7496001	1	SPRING, EXTENSION P/R			
4	LJ7501001	1	MIDDLE ROLLER GEAR			
5	LJ7502001	1	IDLE GEAR 22			
6	LJ7504001	1	GROUND WIRE			
7	LM2473001	1	FAN MOTOR 60 UNIT LV			
8	LM2474001	1	FAN MOTOR 60 UNIT			
9	LM2720001	1	SECTOR GEAR PR ASSY			
10	UH2378000	1	SPRING HOOK			

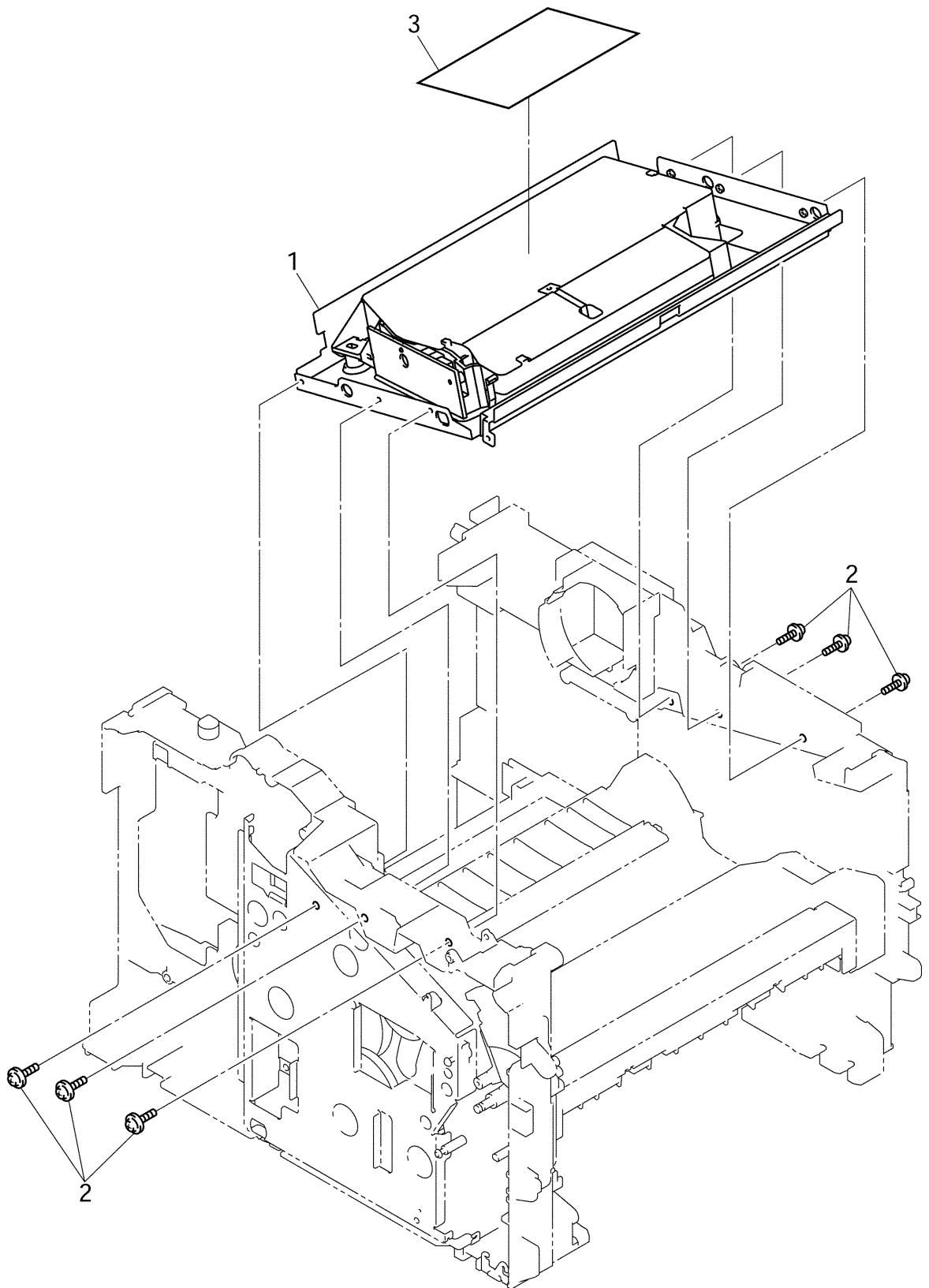
4. DOCUMENT SCANNER



LIST4(DOCUMENT SCAN)

REF No.	CODE	Q'TY	DESCRIPTION	RECOMMEND	ORDER TO BIUK	REMARK
1	LF2320001	1	DOCUMENT CHUTE ASSY			
1-1	LF2361001	2	DOCUMENT SEPARATION ROLLER			
1-2	LF2136001	1	SCANNING MOTOR			
1-3	0A4300605	1	SCREW, PAN (S/P WASHER) M3X6			
1-4	UU2029001	1	LF ROLLER			
1-5	LE1196001	2	LF ROLLER GEAR			
1-6	UL6244002	2	EJECTION ROLLER B4			
1-7	UU2031001	1	EJECTION ROLLER			
1-8	LF2336001	1	LF GROUND SPRING			
2	LE7949001	1	CIS SUPPLY ASSY	√		

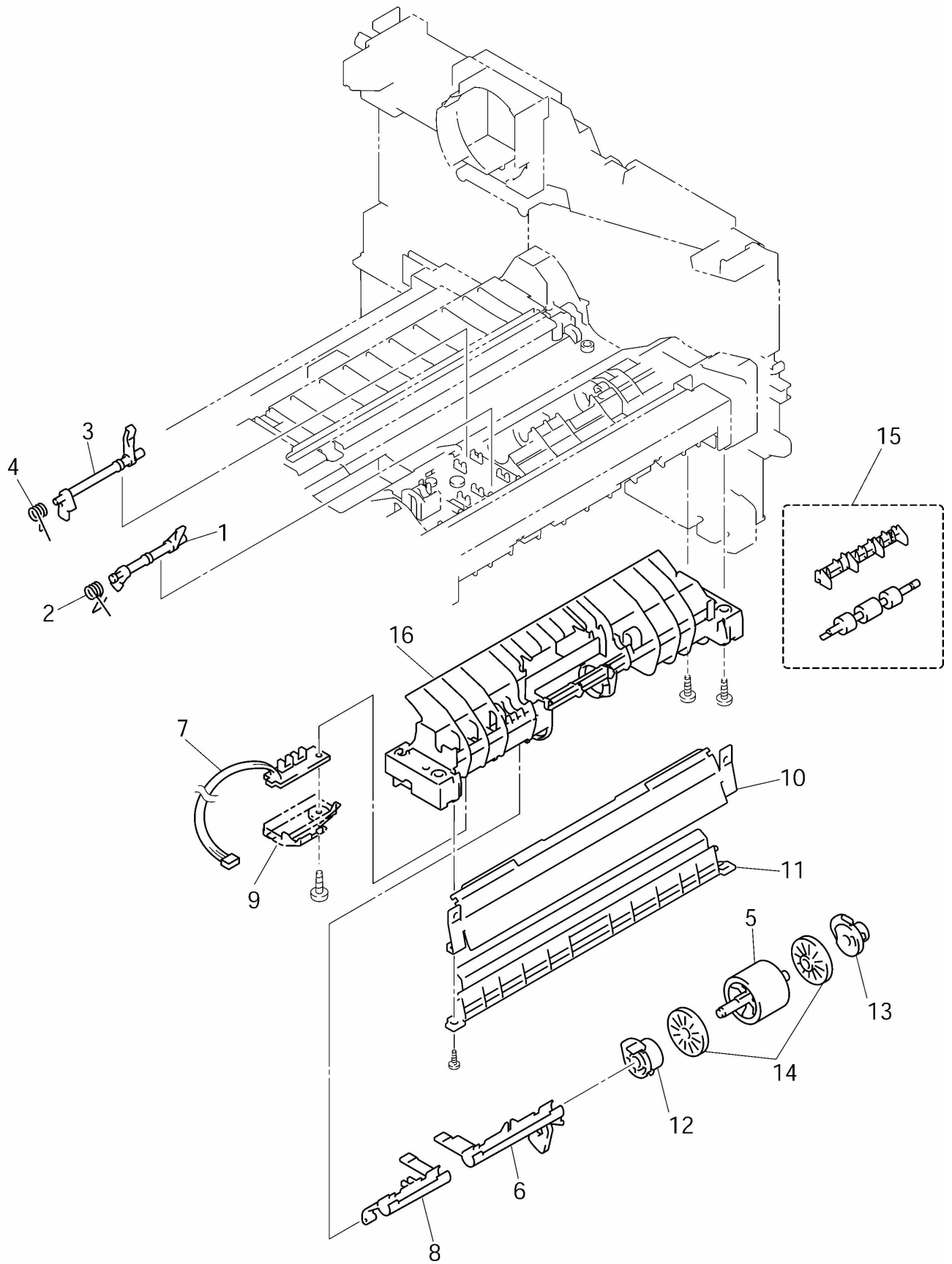
5. LASER UNIT



LIST5(LASER UNIT)

REF No.	CODE	Q'TY	DESCRIPTION	RECOMMEND	ORDER TO BIUK	REMARK
1	LM2835001	1	LASER UNIT (SP)	√		
2	087320815	6	TAPTITE, CUP S M3X8			
3	LJ0908001	1	LASER CAUTION LABEL EXCEPT FOR CHN			
3	UL7931001	1	LASER CAUTION LABEL FOR CHN			ADD

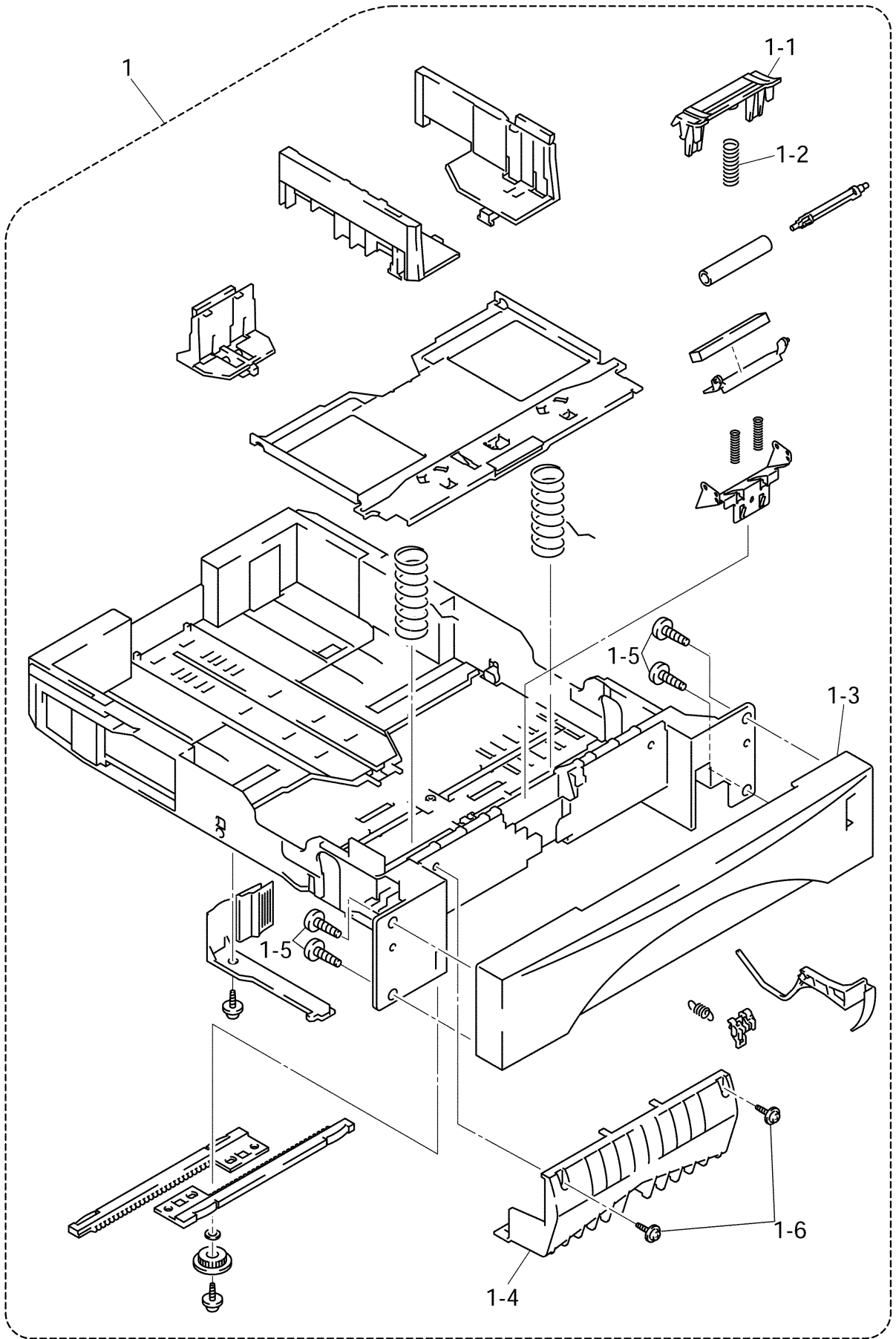
6. PAPER FEEDER



LIST6(PAPER FEEDER)

REF No.	CODE	Q'TY	DESCRIPTION	RECOMMEND	ORDER TO BIUK	REMARK
1	LJ7322001	1	REGIST FRONT ACTUATOR			
2	LM2590001	1	REGIST FRONT ACTUATOR SPRING			
3	LJ7324001	1	REGIST REAR ACTUATOR			
4	LJ7325001	1	REGIST REAR ACTUATOR SPRING			
5	LJ7703001	1	PAPER PICK-UP ROLLER ASSY			
6	LM2601001	1	PE ACTUATOR			
7	LJ9235001	1	CASSETTE SENSOR PCB ASSY			
8	LJ5155001	1	CA ACTUATOR			
9	LJ5211001	1	PE SENSOR COVER			
10	LM2033001	1	FRONT CHUTE GUIDE ASSY			
11	LM2032001	1	FRONT TRAY CHUTE ASSY			
12	LJ5020001	1	BUSH L			
13	LJ5021001	1	BUSH R			
14	LJ7730001	2	ROLLER COLLAR			
15	LM2953001	1	ROLLER 6 GUIDE ASSY (SP)			CHG
16	LJ7342001	1	FRONT CHUTE			

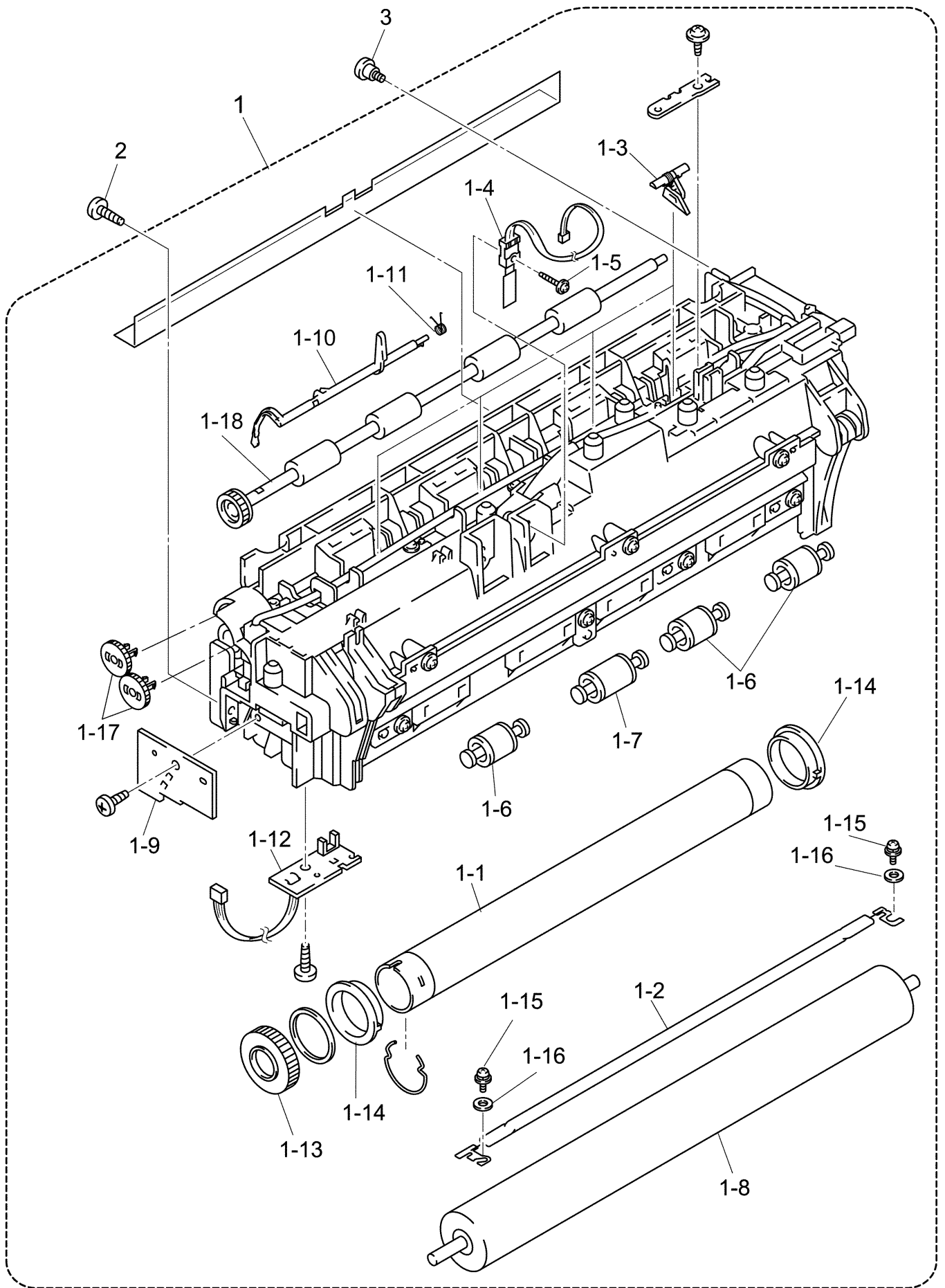
7. PAPER TRAY



LIST7(PAPER TRAY)

REF No.	CODE	Q'TY	DESCRIPTION	RECOMMEND	ORDER TO BIUK	REMARK
1	LJ7607001	1	PAPER TRAY ASSY			
1-1	LJ7307001	1	PAD HOLDER			
1-2	LJ5923001	1	SEPARATION PAD SPRING			
1-3	LJ7608001	1	PAPER TRAY FRONT COVER LT			
1-4	LJ7616001	1	PAPER TRAY COVER			
1-5	085411216	4	TAPTITE, BIND B M4X12			
1-6	087311016	2	TAPTITE, CUP B M3X10			

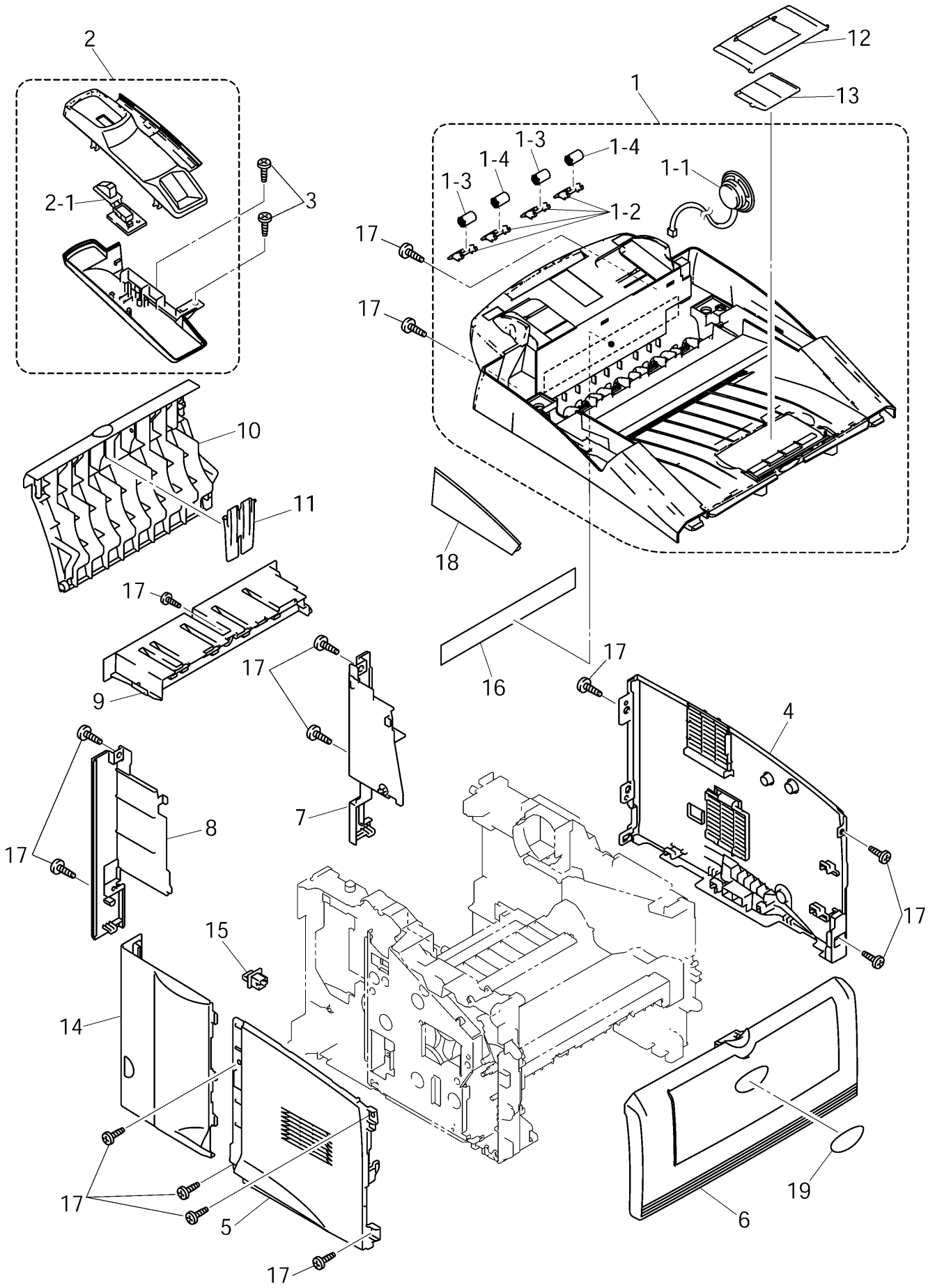
8. FIXING UNIT



LIST8(FIXING UNIT)

REF No.	CODE	Q'TY	DESCRIPTION	RECOMMEND	ORDER TO BIUK	REMARK
1	LM2578001	1	FIXING UNIT, 230V (SP)	√		
1-1	LM2706001	1	HEAT ROLLER 25			
1-2	LJ7539001	1	HALOGEN LAMP, 230V			
1-3	LJ7877001	4	SEPARATE CLAW ASSY			
1-4	LJ7419001	1	THERMISTOR ASSY			
1-5	087311215	1	TAPTITE, CUP B M3X12			
1-6	LJ7428001	3	CLEANER PINCH ROLLER ASSY S			
1-7	LJ7432001	1	CLEANER PINCH ROLLER ASSY L			
1-8	LM2477001	1	PRESSURE ROLLER 25			
1-9	LJ9174001	1	THERMISTOR RELAY PCB ASSY			
1-10	LJ5289001	1	PAPER EJECT ACTUATOR			
1-11	LJ5066001	1	EJECT ACTUATOR SPRING			
1-12	LJ9176001	1	EJECT SENSOR PCB ASSY			
1-13	LJ7416001	1	HR GEAR 34			
1-14	LJ7414001	2	HR BEARING 25			
1-15	LM2254001	2	SCREW, PAN (S/P WASHER) M26X8			
1-16	LM2255001	2	WASHER, PLAIN 26			
1-17	LM2047001	2	IDLE GEAR 13			
1-18	LJ4118001	1	EJECT ROLLER ASSY			
2	085411216	1	TAPTITE, BIND B M4X12			
3	LJ4740001	1	SHOULDER SCREW			

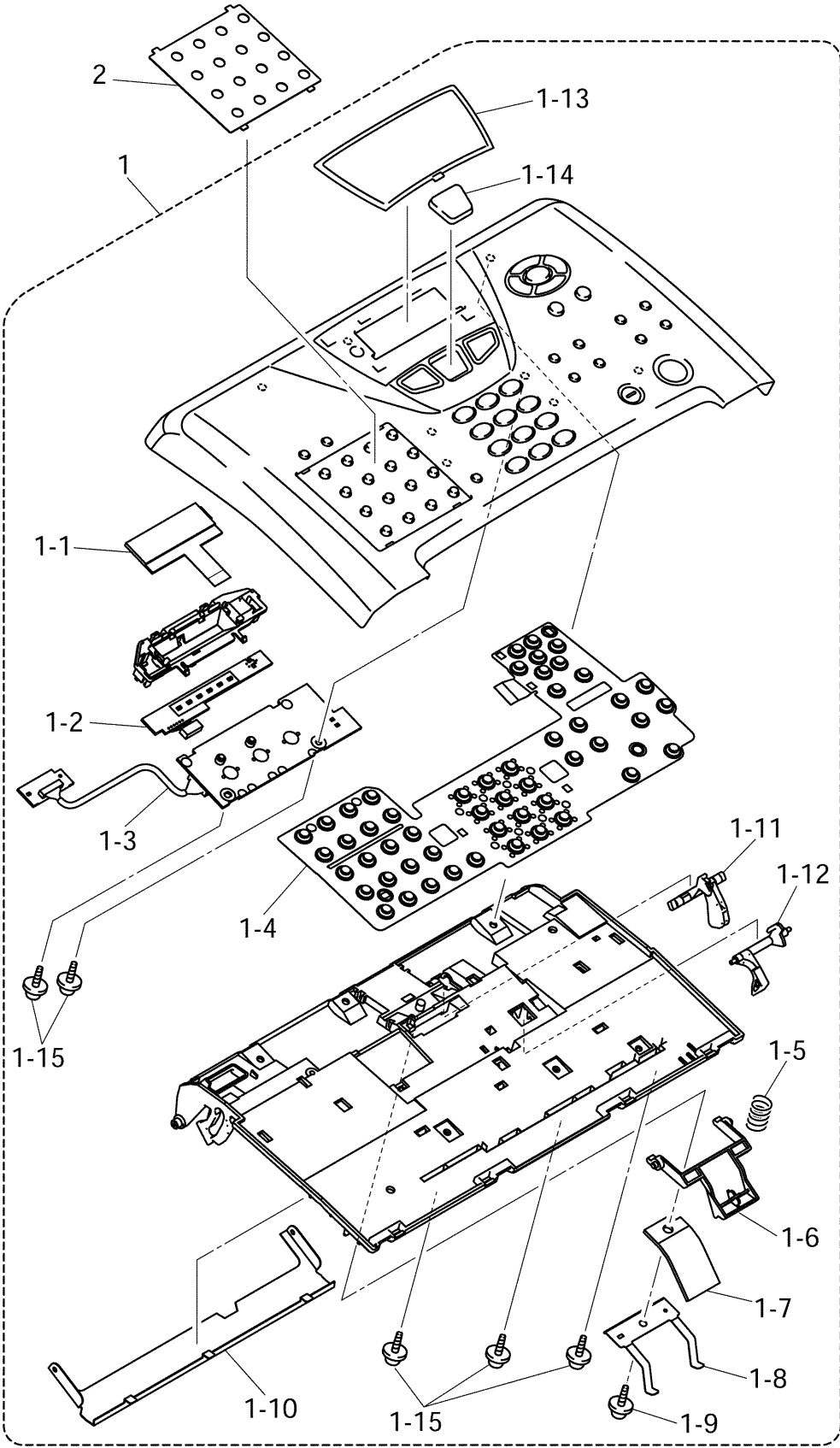
9. COVERS



LIST9(COVERS)

REF No.	CODE	Q'TY	DESCRIPTION	RECOMMEND	ORDER TO BIUK	SYMBOL	REMARK
1	LF6245001	1	TOP COVER ASSY				chg
1-1	LG5021001	1	SPEAKER ASSY				
1-2	UL9123001	4	PINCH ROLLER HOLDER				
1-3	LJ7912001	2	CORRUGATION PINCH ROLLER L				
1-4	LJ7911001	2	CORRUGATION PINCH ROLLER R				
2	LF2341001	1	HANDSET HOLDER ASSY FOR ASA/OCE				
2-1	LG4419002	1	HOOK PCB ASSY FOR ASA/OCE			B53K651	
3	087311016	2	TAPTITE, CUP B M3X10				
4	LJ7453001	1	SIDE COVER R				
5	LM2448001	1	SIDE COVER L				
6	LM2724001	1	FRONT COVER ASSY EXCEPT FOR CHN				
6	LF6615001	1	FRONT COVER ASSY FOR CHN				ADD
7	LJ7465001	1	REAR COVER R				
8	LE8767001	1	REAR COVER L EXCEPT FOR ASA/OCE				
8	LF2277001	1	REAR COVER L FOR ASA/OSE				
9	LJ7467001	1	REAR COVER C				
10	LJ7469001	1	OUTER CHUTE				
11	----		NOT USED				
12	LJ7895001	1	PAPER STOPPER				
13	LJ7896001	1	PAPER STOPPER S				
14	LF2455001	1	ACCESS COVER				
15	UF5745000	1	MJ COVER, EXT FOR GER/UK/FRA/BEL/DEN/AUS/ITA				chg
16	LJ7353001	1	HEATER CAUTION LABEL REAR				
17	085411216	14	TAPTITE, BIND B M4X12				
18	LF2545001	1	W/O HANDSET COVER EXCEPT FOR ASA/OCE				
19	LE8812001	1	BROTHER EMBLEM				add

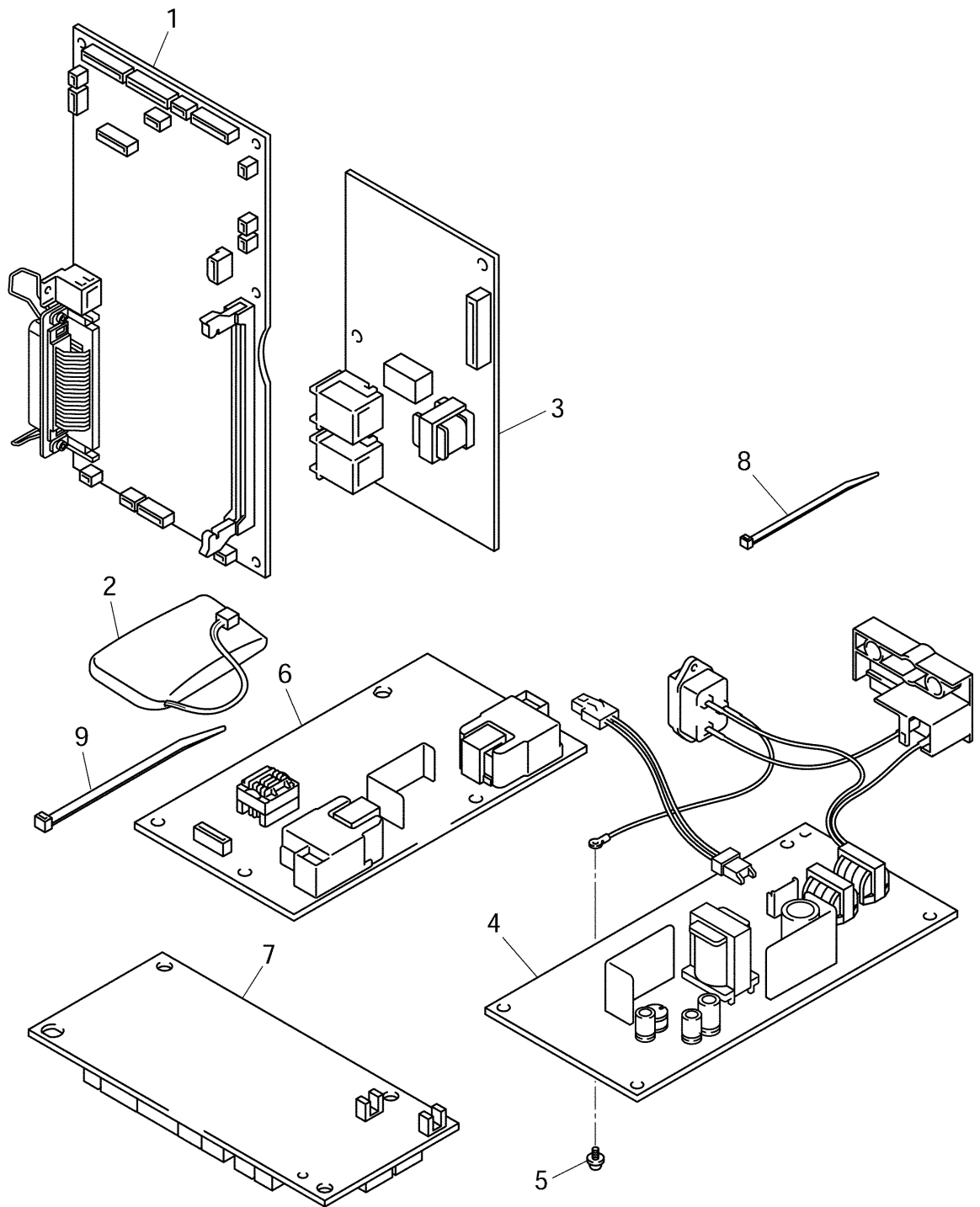
10. PANEL



LIST10(PANEL)

REF No.	CODE	Q'TY	DESCRIPTION	RECOMMEND	ORDER TO BIUK	SYMBOL	REMARK
1	LF6240001	1	PANEL ASSY, FOR GER/AUS				chg
1	LF6223001	1	PANEL ASSY, FOR UK/IRE/GNR				chg
1	LF6225001	1	PANEL ASSY, FOR FRA				chg
1	LF6227001	1	PANEL ASSY, FOR BEL/NLD/CHE	√	√		chg
1	LF6230001	1	PANEL ASSY, FOR DEN/PND	√	√		chg
1	LF6231001	1	PANEL ASSY, FOR SPA	√	√		chg
1	LF6237001	1	PANEL ASSY, FOR ITA	√	√		chg
1	LF6232001	1	PANEL ASSY, FOR POR	√	√		chg
1	LF6610001	1	PANEL ASSY, FOR CHN				add
1	LF6235001	1	PANEL ASSY, FOR ASA/OCE				chg
1-1	LG5063001	1	LCDLMG162C53-TT				
1-2	LG5064001	1	BACK LIGHT PCB ASSY			B53K721	
1-3	LG5276001	1	PANEL PCB ASSY			B53K720	
1-4	LG5225001	1	KEY, FPC ASSY				CHG
1-5	LF2233001	1	RUBBER HOLDER SPRING				
1-6	UU2054001	1	RUBBER HOLDER				
1-7	UU2055001	1	SEPARATION RUBBER				
1-8	UU2056001	1	SPRING PLATE, ADF FRONT				
1-9	087310615	1	TAPTITE, CUP B M3X6				
1-10	LE6342001	1	DOCUMENT HOLD ASSY				
1-11	LF2203001	1	ACTUATOR F				
1-12	LF2204001	1	ACTUATOR R				
1-13	LF2206001	1	LCD SHEET				
1-14	----		NOT USED				
1-15	087310815	5	TAPTITE, CUP B M3X8				
2	LF2209001	1	ADDRESS LABEL				

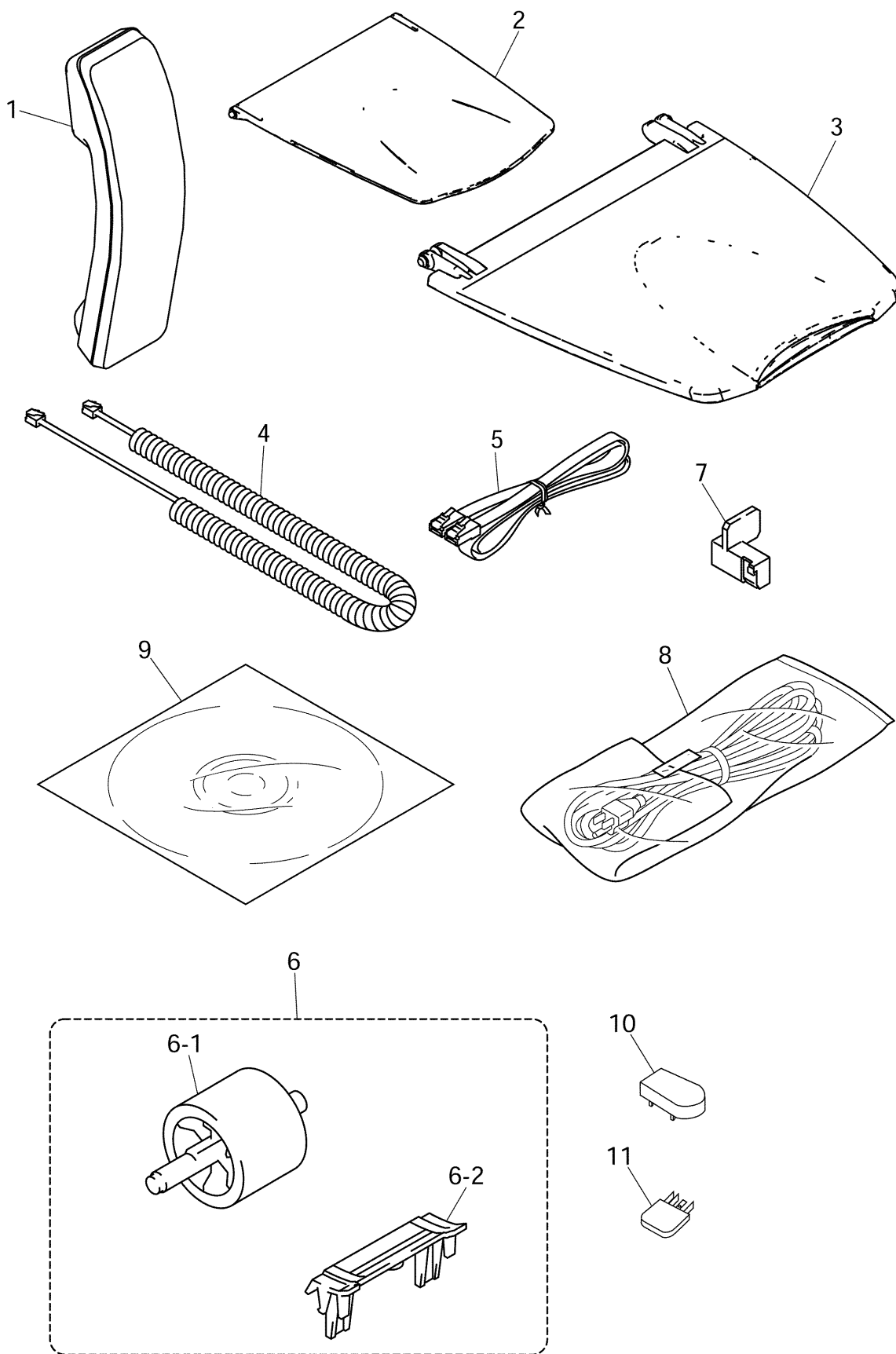
11. PCB



LIST11(PCB)

REF No.	CODE	Q'TY	DESCRIPTION	RECOMMEND	ORDER TO BIUK	SYMBOL	REMARK
1	LG5277001	1	MAIN PCB ASSY EXCEPT FOR CHN/OCE	√		B53K692	
1	LG5792020	1	MAIN PCB ASSY FOR CHN	√		B53K692	ADD
1	LG5277056	1	MAIN PCB ASSY FOR OCE	√		B53K692	add
2	LG5307001	1	BATTERY ASSY				
3	LG5602001	1	NCU PCB ASSY EXCEPT FOR CHN/ASA/OCE	√		B53K666	
3	LG5568090	1	NCU PCB ASSY FOR ASA/CHN	√		B53K666	
3	LG5568056	1	NCU PCB ASSY FOR OCE	√		B53K666	
4	LG5288001	1	PS PCB UNIT 230V EXCEPT FOR ASA				chg
4	LG5564001	1	PS PCB UNIT 230V FOR ASA				chg
5	LM2048001	1	SCREW, PAN (S/P WASHER) M3.5X6				
6	LJ9200001	1	HIGH-VOLTAGE PS PCB ASSY				
7	LG4404001	1	ENGINE PCB ASSY				
8	LJ8657001	1	BINDER 2.3X79				
9	LF2607001	1	BINDER 3.6X137				

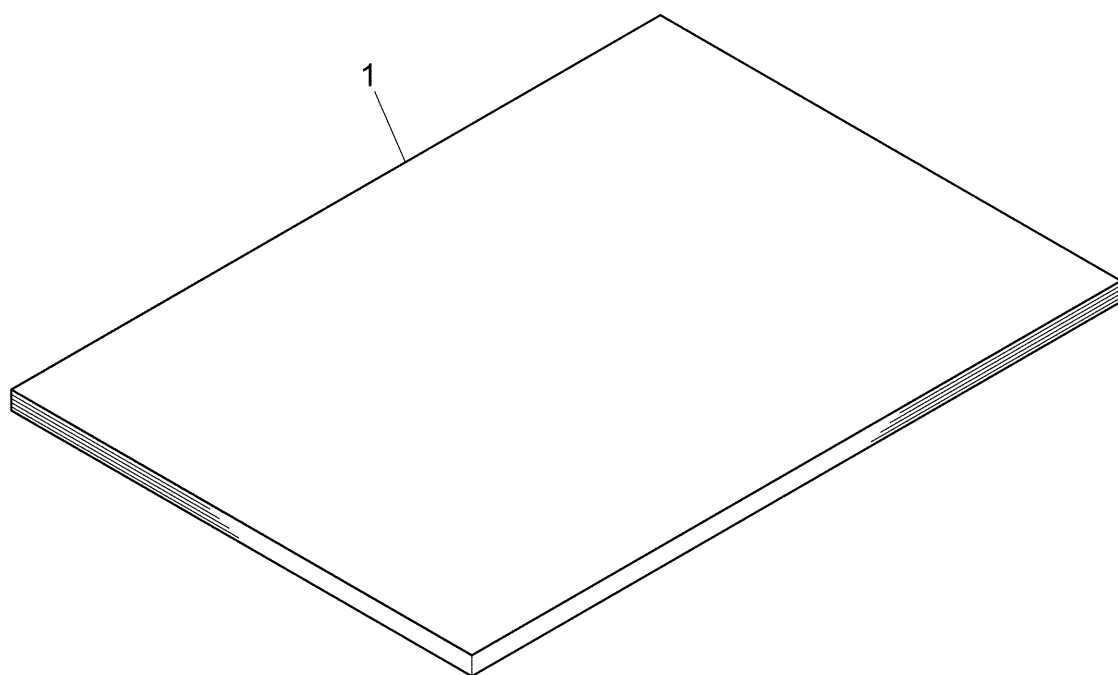
12. ACCESSORIES



LIST12(Accessories)

REF No.	CODE	Q'TY	DESCRIPTION	RECOMMEND	ORDER TO BIUK	REMARK
1	UF6857010	1	HANDSET ASSY FOR CHN/ASA/OCE			
2	LF2369001	1	DOCUMENT SET TRAY ASSY2			
3	LF2370001	1	PAPER EJECT TRAY ASSY2			
4	LF2519008	1	HANDSET CURLED CORD ASSY FOR CHN/ASA/OCE			
5	UG3625001	1	TELEPHONE LINE CORD FOR GER			
5	UG3626001	1	TELEPHONE LINE CORD FOR UK			
5	UG3627001	1	TELEPHONE LINE CORD FOR FRA			
5	UG1575001	1	TELEPHONE LINE CORD FOR BEL			
5	LG3077001	1	TELEPHONE LINE CORD FOR NLD/IRE/SPA/POR/CHN/ASA/OCE/GNR			
5	UG3469000	1	TELEPHONE LINE CORD FOR CHE			
5	LG5827001	1	TELEPHONE LINE CORD FOR DEN/PND			chg
5	UG4205001	1	TELEPHONE LINE CORD FOR AUS			
5	UG3634001	1	TELEPHONE LINE CORD FOR ITA			
5	UG3629001	4	TELEPHONE LINE CORD FOR PND			del
5	UG3635001	4	TELEPHONE LINE CORD FOR PND			del
5	UG3632001	4	TELEPHONE LINE CORD FOR PND			del
5	UG3290001	1	TELEPHONE LINE CORD FOR OCE			
6	LJ7920001	1	PAPER FEEDING KIT			
6-1	LJ7703001	1	PAPER PICK-UP ROLLER ASSY			
6-2	LJ7307001	1	PAD HOLDER			
7	LM2102001	1	FU LAMP ASSEMBLY JIG ASSY			
8	LG4424001	1	AC CORD BAG ASSY, VDE FOR GER/FRA/ BEL/NLD/AUS/SPA/ITA/POR/ASA/PND/GNR			
8	LG6208001	1	AC CORD BAG ASSY LF BS/PSB, FOR UK/IRE/ASA			CHG
8	LG4718001	1	AC CORD BAG ASSY, SEV FOR CHE			
8	LG4720001	1	AC CORD BAG ASSY, DEMKO FOR DEN			
8	LJ9353001	1	AC CORD BAG ASSY, FOR CHN			add
8	LJ9667001	1	AC CORD BAG ASSY, SAA FOR OCE			
9	LF2712001	1	CD-ROM ASSY <Windows> FOR GER/UK/FRA/CHE/IRE/AUS/ASA/OCE			
9	LF2750001	1	CD-ROM ASSY <Windows> FOR BEL/NLD/PND/GNR			
9	LF2766001	1	CD-ROM ASSY <Windows> FOR DEN/PND			
9	LF2773001	1	CD-ROM ASSY <Windows> FOR SPA/ITA/POR			
9	LF6417001	1	CD-ROM ASSY FOR CHN			add
9	LF6050001	4	CD-ROM ASSY <Macintosh> FOR GER/UK/FRA/IRE/AUS/ASA/OCE			del
9	LF6659001	1	CD-ROM ASSY <Macintosh> EXCEPT FOR CHN			chg
10	LG3622001	1	TELEPHONE LINE PLUG FOR NLD			
10	LG5828001	1	TELEPHONE LINE PLUG FOR DEN/PND <DENMARK>			add
10	LG5829001	1	TELEPHONE LINE PLUG FOR PND <FINLAND>			add
10	LG5830001	1	TELEPHONE LINE PLUG FOR PND <SWEDEN>			add
11	LG3509001	1	TELEPHONE LINE PLUG FOR OCE			

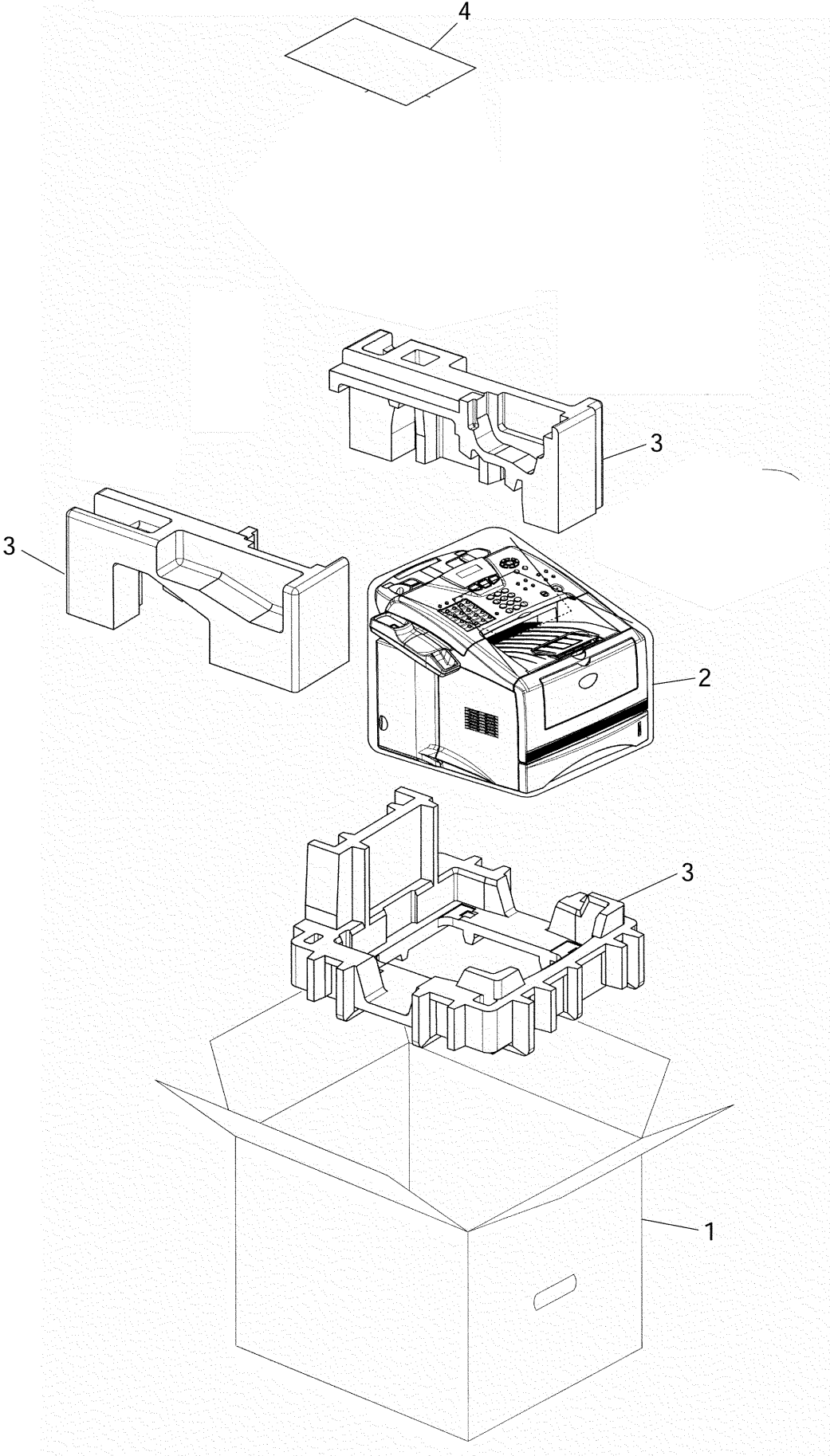
13. PRINTED MATTER



LIST13(PRINTED MATERIALS)

REF No.	CODE	Q'TY	DESCRIPTION	RECOMMEND	ORDER TO BIUK	REMARK
1	LF2732001	1	USER'S GUIDE FOR GER/AUS			
1	LF2714004	1	USER'S GUIDE FOR UK/IRE/PND			
1	LF2714005	1	USER'S GUIDE FOR FRA			
1	LF2714008	1	USER'S GUIDE FOR BEL/NLD <DUTCH>			
1	LF2756008	1	USER'S GUIDE FOR BEL/CHE <FRENCH>			
1	LF2714010	1	USER'S GUIDE FOR CHE <GERMAN>			
1	LF2714013	1	USER'S GUIDE FOR DEN			
1	LF2714015	1	USER'S GUIDE FOR SPA			
1	LF2714016	1	USER'S GUIDE FOR ITA			
1	LF2714018	1	USER'S GUIDE FOR POR			
1	LF2714020	1	USER'S GUIDE FOR CHN			ADD
1	LF2714040	1	USER'S GUIDE FOR ASA/OCE			

14. PACKING MATERIALS



LIST14(PACKING MATERIALS)

REF No.	CODE	Q'TY	DESCRIPTION	RECOMMEND	ORDER TO BIUK	REMARK
1	LF2709001	1	CARTON, BROTHER EXCEPT FOR CHN/ASA/OCE	√		
1	LF6265001	1	CARTON, BROTHER FOR CHN	√		ADD
1	LF2903001	1	CARTON, BROTHER FOR ASA/OCE	√		
2	UE1688001	1	PE BAG 1000X1000H			
3	LF2574001	1	POLYSTYRENE PAD ASSY EXCEPT FOR CHN/ASA/OCE			
3	LF2396001	1	POLYSTYRENE PAD ASSY FOR CHN/ASA/OCE			add
4	LF2742001	1	QUICK SETUP GUIDE FOR GER/AUS			
4	LF2717001	1	QUICK SETUP GUIDE FOR UK/IRE			
4	LF2745001	1	QUICK SETUP GUIDE FOR FRA			
4	LF2758001	1	QUICK SETUP GUIDE FOR BEL/NLD <DUTCH>			
4	LF2759001	1	QUICK SETUP GUIDE FOR BEL/CHE <FRENCH>			
4	LF2764001	1	QUICK SETUP GUIDE FOR CHE <GERMAN>			
4	LF2771001	1	QUICK SETUP GUIDE FOR DEN/PND			
4	LF2776001	1	QUICK SETUP GUIDE FOR SPA			
4	LF2780001	1	QUICK SETUP GUIDE FOR ITA			
4	LF2784001	1	QUICK SETUP GUIDE FOR POR			
4	LF6614001	1	QUICK SETUP GUIDE FOR CHN			ADD
4	LF2787001	1	QUICK SETUP GUIDE FOR PND			
4	LF2788001	1	QUICK SETUP GUIDE FOR PND <NORWEGIAN>			
4	LF2789001	1	QUICK SETUP GUIDE FOR PND <SWEDISH>			
4	LF2790001	1	QUICK SETUP GUIDE FOR PND <FINNISH>			
4	LF2753001	1	QUICK SETUP GUIDE FOR GNR			
4	LF2904001	1	QUICK SETUP GUIDE FOR ASA/OCE			

brother[®]

PL-FAX082
8X5943
Ver .H-1