



FACSIMILE EQUIPMENT

PARTS REFERENCE LIST

MODEL: MFC860

**(For Germany / United Kingdom / France
Norway / Belgium / Netherlands /
Switzerland / Ireland / Denmark / Austria /
Spain / Italy / Sweden)**

© Copyright Brother 2000

All rights reserved

No part of this publication may be reproduced in any form
or by any means without permission in writing from the
publisher.

Specifications are subject to change without prior notice.

NOTES FOR USING THIS PARTS REFERENCE LIST

1. In the case of ordering parts, it needs mentioning the following items:

- (1) Code
- (2) Q' ty
- (3) Description

Note: No orders without Parts Code or Tool No. can be accepted.

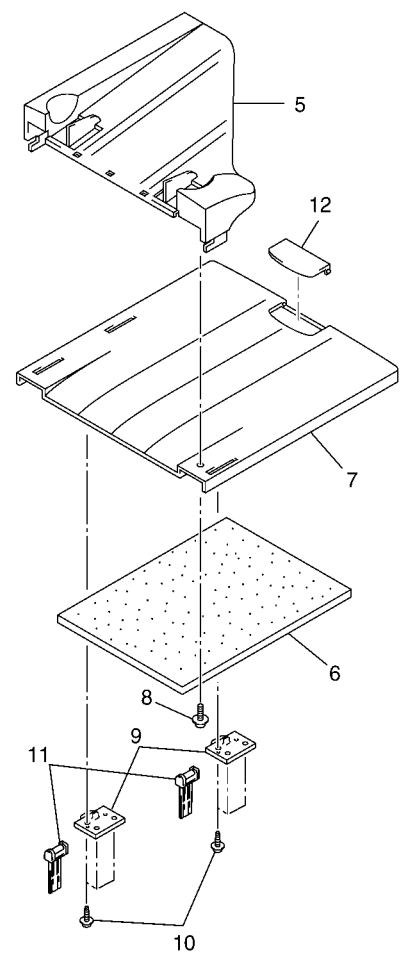
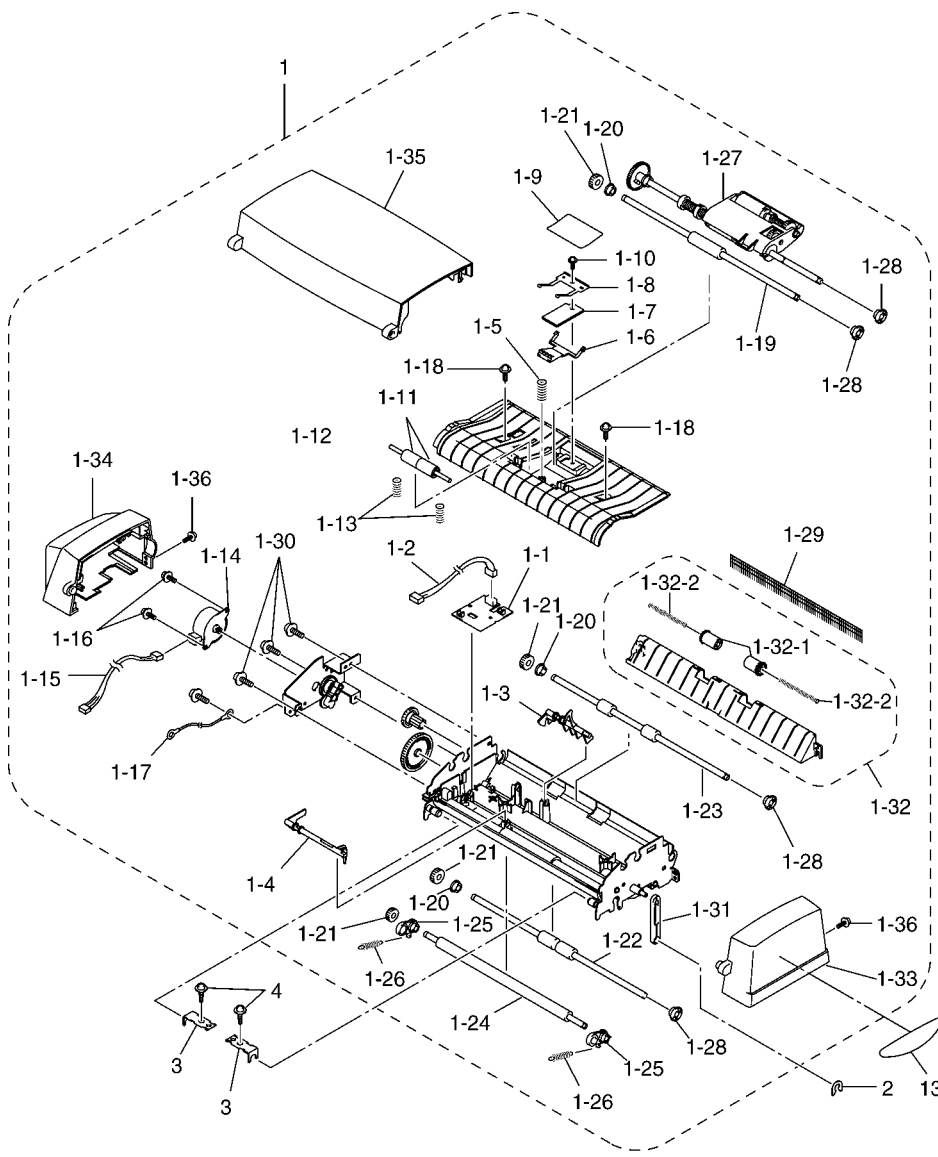
[Example]

REF.NO.	CODE	Q' TY	DESCRIPTION	REMARKS

2. Parts change will be informed by the technical information.

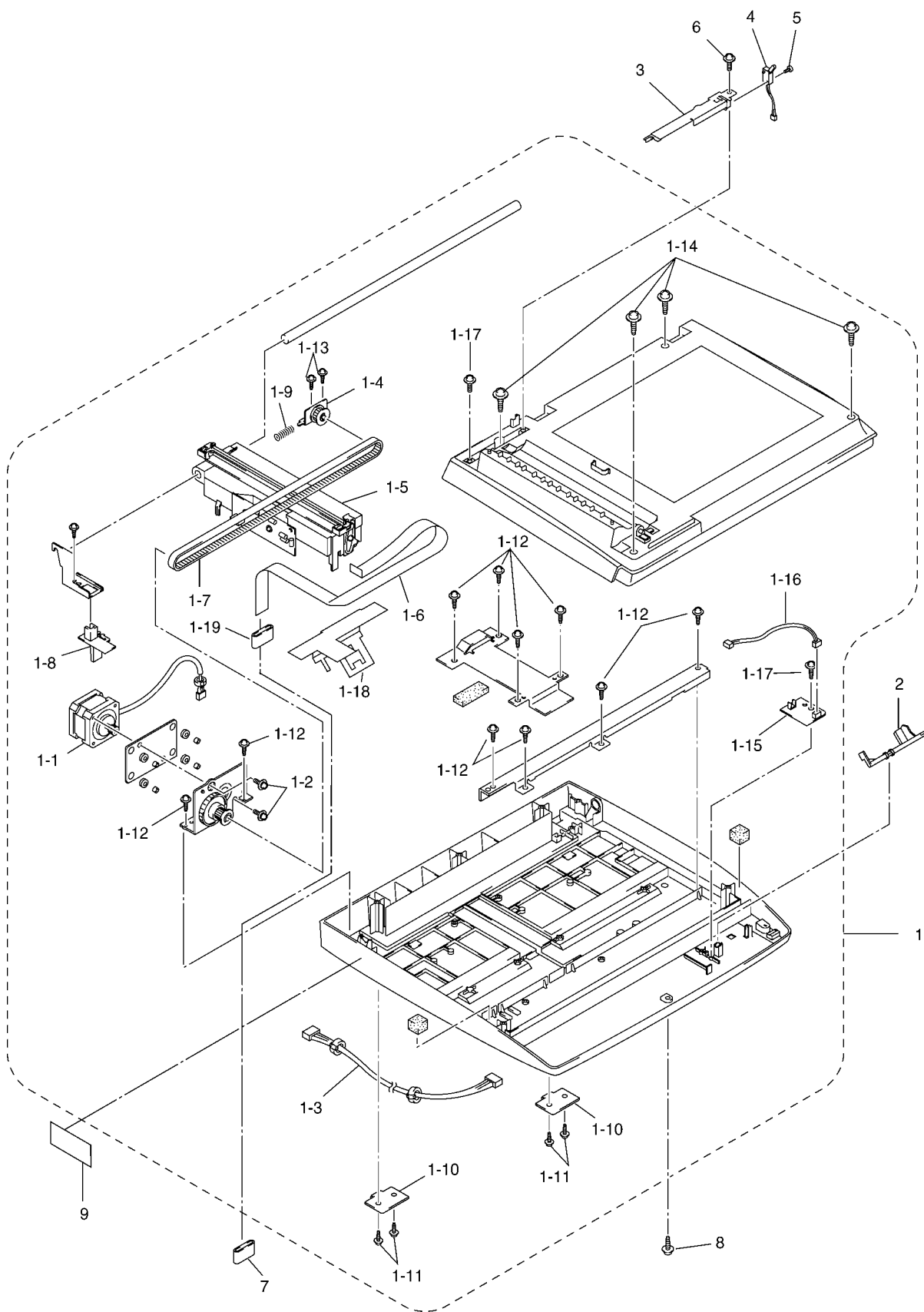
COUNTRIES

GERMANY ----- GER
UNITED KINGDOM ----- UK
FRANCE ---- FRA
NOEWAY ---- NOR
BELGIUM ---- BEL
NETHERLANDS ---- NLD
SWITZERLAND ---- CHE
IRELAND ----- IRE
DENMARK ----- DEN
AUSTRIA ----- AUT
SPAIN ---- SPA
ITALY ---- ITA
SWEDEN ---- SWE



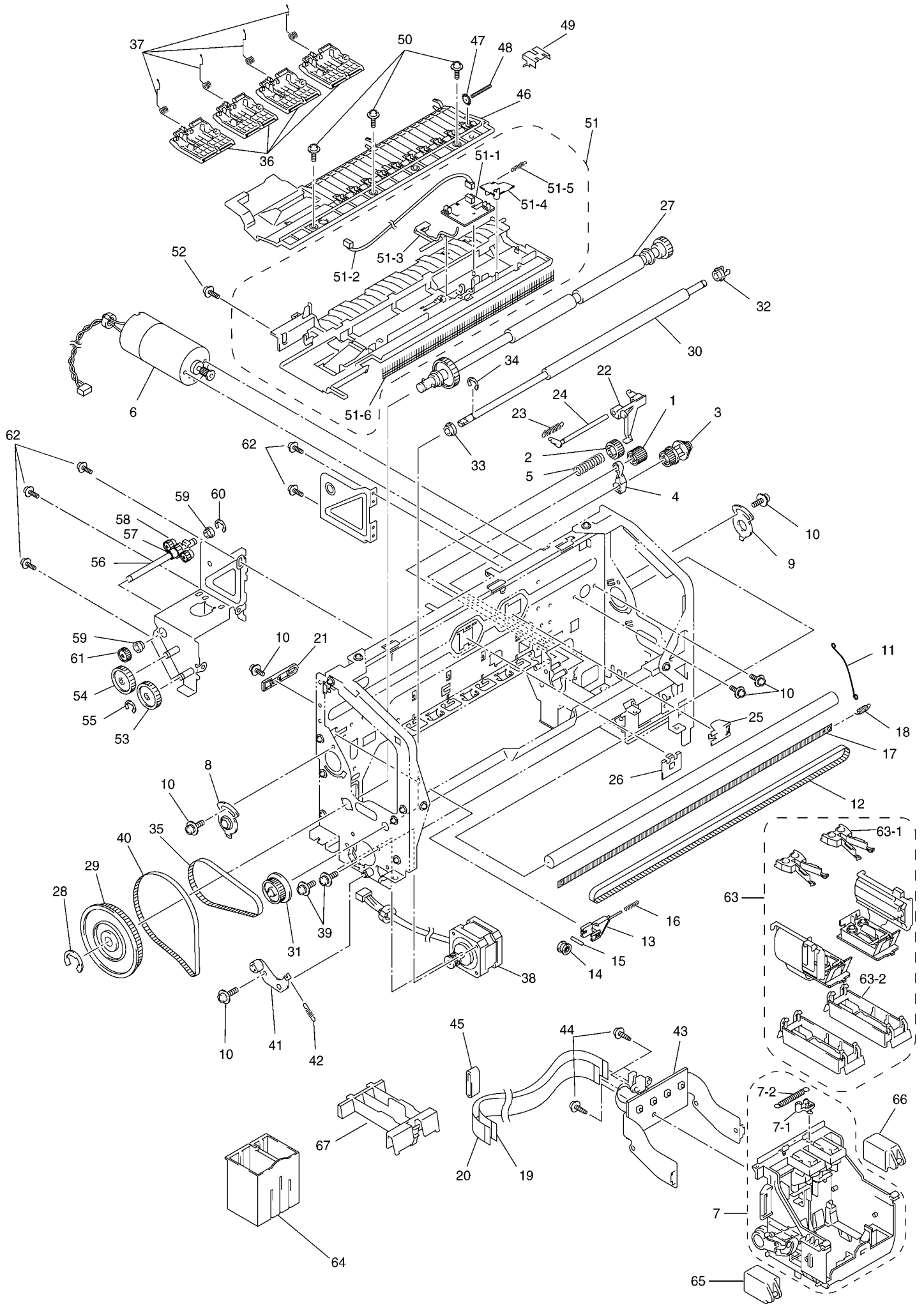
LIST 1(ADF)

REF No.	CODE	Q'TY	DESCRIPTION	REMARKS
1	LE3857001	1	ADF UNIT	
1-1	UG6609001	1	DOCUMENT SENSOR PCB ASSY	
1-2	LG2926001	1	DOCUMENT SENSOR HARNESS	
1-3	UF7026001	1	DOCUMENT FRONT SENSOR ACTUATOR	
1-4	LE2008001	1	DOCUMENT REAR SENSOR ACTUATOR	
1-5	LE2011001	1	COMPRESSION SPRING	
1-6	LE2551001	1	RUBBER HOLDER	
1-7	UU2055001	1	SEPARATION RUBBER	
1-8	LE2550001	1	SPRING PLATE A	
1-9	LE2470001	1	ADF FILM	
1-10	UF6116001	1	TAPTITE, PAN B M3X6	
1-11	UF9009001	2	PRESSURE ROLLER	
1-12	LE2471001	1	PRESSURE ROLLER SHAFT	
1-13	LE2472001	2	PRESSURE ROLLER SPRING	
1-14	LE2566001	1	ADF MOTOR	
1-15	LG2015001	1	ADF MOTOR HARNESS	
1-16	0A4300605	2	SCREW, PAN (S/P WASHER) M3X6	
1-17	LG2016001	1	GROUNDING WIRE	
1-18	087310815	2	TAPTITE, CUP B M3X8	
1-19	LE2026001	1	UPPER LF ROLLER(GRAY)	
1-20	UF8105001	3	CONDUCTIVE BUSHING	
1-21	UU7039001	4	LF ROLLER GEAR 27	
1-22	LE2029001	1	LOWER LF ROLLER(BLACK)	
1-23	LE2028001	1	DOCUMENT EJECTION ROLLER	
1-24	LE2030001	1	WHITE ROLLER	
1-25	LE2032001	2	WHITE ROLLER BUSHING	
1-26	LE2033001	2	SPRING	
1-27	LE2919001	1	DOCUMENT FEED ROLLER ASSY	
(1-27-1)	LE2037001	2	DOCUMENT FEED ROLLER(RUBBER)	
1-28	UU1290001	4	PAWLED BUSHING	
1-29	UU7505001	1	ANTI-STATIC BRUSH	
1-30	087320616	3	TAPTITE, CUP S M3X6	
1-31	UF0208001	1	ARM	
1-32	LE2048001	1	DOCUMENT EJECTION CHUTE ASSY	
1-32-1	LE2582001	2	PINCH ROLLER	
1-32-2	UU2009001	2	PINCH ROLLER SHAFT(SPRING)	
1-33	LE2050001	1	ADF SIDE COVER F, WHITE(1495)	
1-34	LE2051001	1	ADF SIDE COVER R, WHITE(1495)	
1-35	LE2534001	1	ADF COVER ASSY, WHITE(1495)	
1-36	087320816	2	TAPTITE, CUP S M3X8	
2	UF8088001	1	PLASTIC RETAINING RING	
3	LE2053001	2	ADF SUPPORT	
4	087310816	2	TAPTITE, CUP B M3X8	
5	LE3426001	1	DOCUMENT CHUTE ASSY	
6	LE2487001	1	SPONGE	
7	LE2056001	1	DOCUMENT TRAY	
8	087320816	1	TAPTITE, CUP S M3X8	
9	LE2567001	2	HINGE A	
10	087311017	6	TAPTITE, CUP B M3X10	
11	LE2568001	2	HINGE HOLDER A	
12	LE2777001	1	DOCUMENT SUPPORT, WHITE(1495)	
13	LE2498001	1	COLOR MARK	



LIST 2(SCANNER)

REF No.	CODE	Q'TY	DESCRIPTION	REMARKS
1	LE3763001	1	SCANNER UNIT (SP)	
1-1	LE3338001	1	CCD MOTOR	
1-2	0A4300605	2	SCREW, PAN (S/P WASHER) M3X6	
1-3	LG2776001	1	PANEL-MAIN HARNESS	
1-4	LE3417001	1	CCD IDOL PULLEY HOLDER	
1-5	LE3764001	1	CCD UNIT (SP)	
1-6	LG2196001	1	CCD FLAT CABLE	
1-7	LE3423001	1	CCD DRIVE BELT	
1-8	LE2082001	1	CCD LOCK	
1-9	LE2079001	1	SPRING	
1-10	LE2098001	2	HINGE PLATE	
1-11	085411216	4	TAPTITE, BIND B M4X12	
1-12	087310815	10	TAPTITE, CUP B M3X8	
1-13	LE2805001	2	TAPTITE, PAN B M3X10	
1-14	087411216	4	TAPTITE, CUP B M4X12	
1-15	LG2018001	1	SCANNER OPEN SENSOR PCB ASSY	
1-16	LG2137001	1	COVER SENSOR HARNESS	
1-17	087310815	2	TAPTITE, CUP B M3X8	
1-18	LE2542001	1	CORE STOPPER	
1-19	LG2020001	1	FLAT CORE	
2	LE2095001	1	OPEN SENSOR ACTUATOR	
3	LE3500001	1	HARNESS SUPPORT	
4	LG2737001	1	FB COVER SWITCH ASSY	
5	LE0832001	1	TAPTITE, PAN P 1.6X8	
6	087310816	1	TAPTITE, CUP B M3X8	
7	LG2020001	1	FLAT CORE	
8	087310815	1	TAPTITE, CUP B M3X8	
9	LE2808001	1	CCD LOCK LABEL	

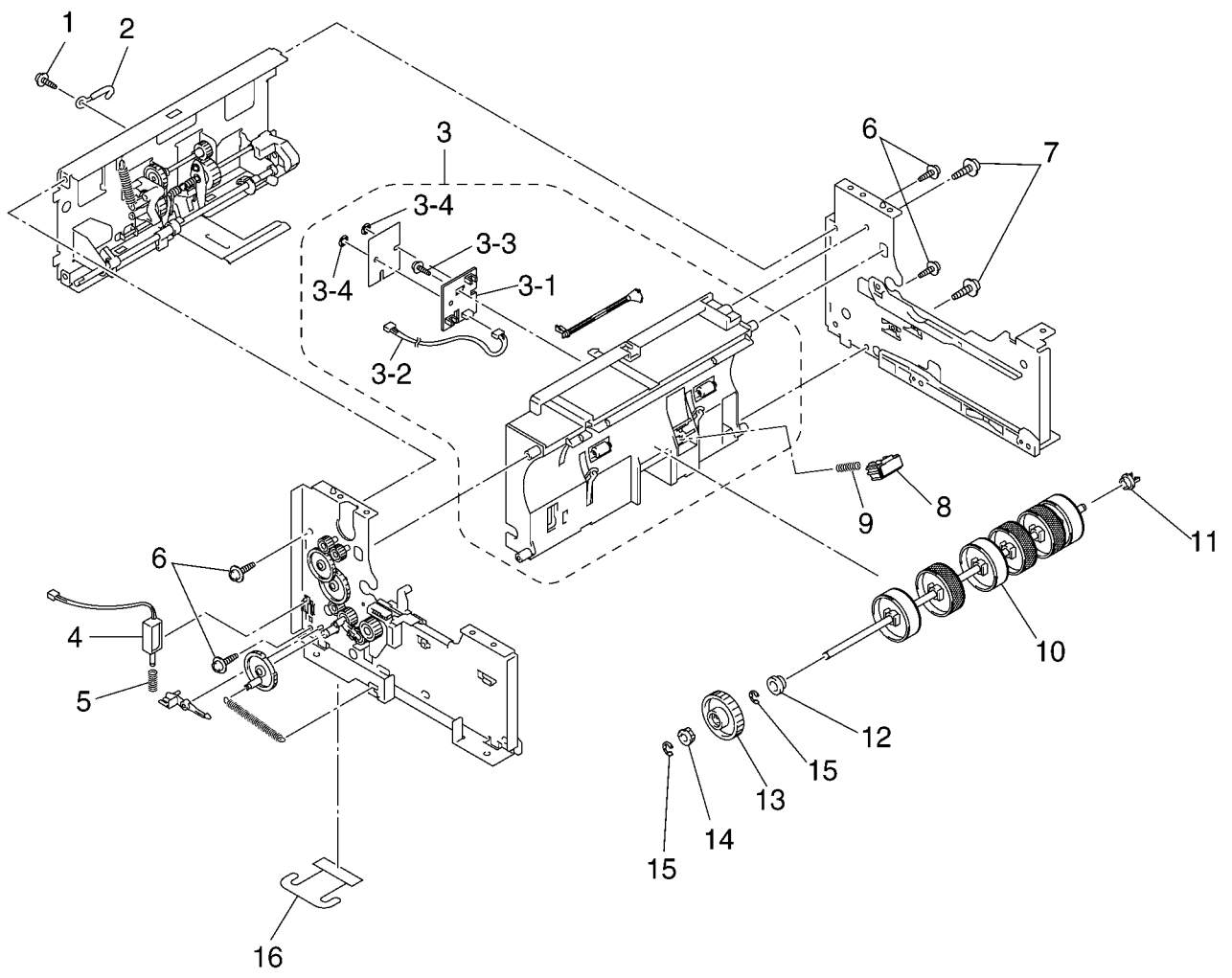


LIST 3(MAIN FRAME)

REF No.	CODE	Q'TY	DESCRIPTION	REMARKS
1	LE3132001	1	PURGE GEAR 18	
2	LE3133001	1	PURGE GEAR 19	
3	LE3134001	1	PURGE BEVEL GEAR 18	
4	LE3135001	1	GEAR STOPPER	
5	LE3136001	1	PURGE GEAR SPRING	
6	LE3140001	1	CARRIAGE MOTOR	
7	LE3142001	1	CARRIAGE ASSY	
7-1	UU1061001	1	CARRIAGE PRESSER	
7-2	UU1062001	1	PRESSER SPRING	
8	LE3166001	1	ECCENTRIC BEARING L	
9	LE3167001	1	ECCENTRIC BEARING R	
10	0A5300605	5	SCREW, PAN (S/P WASHER) M3X6	
11	UU1080001	1	REEL PRESSURE SPRING	
12	UU1454001	1	CARRIAGE TIMING BELT	
13	LE3169001	1	IDLE PULLEY HOLDER	
14	LE3170001	1	IDLE PULLEY	
15	UD6025001	1	IDLE PULLEY SHAFT	
16	LE3171001	1	SPRING	
17	LE3172001	1	ENCODER STRIP	
18	UD6012001	1	ENCODER STRIP SPRING	
19	LG2606001	1	HEAD FLAT CABLE 2, (23-PIN)	
20	LG2605001	1	HEAD FLAT CABLE 1, (22-PIN)	
21	LE3175001	1	IDLE PULLEY STOPPER	
22	LE3178001	1	PURGE LEVER	
23	LE3179001	1	PURGE LEVER SPRING	
24	LE3180001	1	PURGE SHAFT	
25	UU1088001	1	FFC HOLDER 1	
26	LE3176001	1	FFC HOLDER 2	
27	LE3183001	1	PAPER FEED ROLLER ASSY	
28	048080345	1	RETAINING RING, E8	
29	LE3187001	1	PF ROLLER PULLEY L	
30	LE3188001	1	PAPER EJECTION ROLLER	
31	LE3190001	1	EJECTION ROLLER PULLEY	
32	UF0026001	1	PAWLED BUSHING	
33	UF8105001	1	BUSHING	
34	048050345	1	RETAINING RING, E5	
35	LE3191001	1	PF TIMING BELT S	
36	LE3195001	4	PAPER PRESSURE HOLDER	
37	LE3198001	4	SPRING	
38	LE3201001	1	PAPER FEED MOTOR	
39	0A4300605	2	SCREW, PAN (S/P WASHER) M3X6	
40	LE3207001	1	PF TIMING BELT L	
41	LE3208001	1	TENSION PLATE	
42	LE3600001	1	SPRING, EXTENSION 4.2X10	
43	LG2597001	1	CARRIAGE PCB ASSY	
44	087310616	3	TAPTITE, CUP S M3X6	
45	UG5569000	1	FLAT CORE 33.5-12	
46	LE3809001	1	PLATEN SUB ASSY	
47	US2967001	10	STAR WHEEL	
48	LE3606001	10	STAR WHEEL SPRING	
49	LE3678001	10	STAR WHEEL FILM	
50	087320516	3	TAPTITE, CUP S M3X5	
51	LE3347001	1	LOWER PAPER CHUTE ASSY	
51-1	UG6609001	1	PAPER EJECTION/CASSETTE SENSOR PCB ASSY	
51-2	LG2827001	1	PAPER EJECTION/CASSETTE SENSOR HARNESS	
51-3	LE3349001	1	PAPER EJECTION SENSOR ACTUATOR	
51-4	LE2120001	1	CASSETTE SENSOR ACTUATOR	
51-5	UD4336001	1	ACTUATOR SPRING	
51-6	LE2491001	1	ANTI-STATIC BRUSH	
52	087320616	2	TAPTITE, CUP S M3X6	
53	UF7010000	1	GEAR 45	
54	UF8034001	1	GEAR 39	
55	048060345	1	RETAINING RING, E6	
56	LE3355001	1	PAPER FEED SHAFT ASSY	
57	LE2225001	1	GEAR M0.5/25	
58	LE2226001	1	ONE WAY ARM ASSY	
59	UF8105001	2	CONDUCTIVE BUSHING	
60	048050345	1	RETAINING RING, E5	
61	UF5519000	1	LF ROLLER GEAR	
62	087320515	5	TAPTITE, CUP S M3X5	
63	LK0220001	0.1	PRINT HEAD UNIT(INCLUDING 10 PAIRS OF UNITS)	
63-1	LK0198001	2	MANIFOLD CAP S	
63-2	LK0199001	2	NOZZLE PROTECTOR	
64	LE3182001	1	MANIFOLD CAP L	
65	LE3155001	1	HEAD DRIVER CLAMP L	

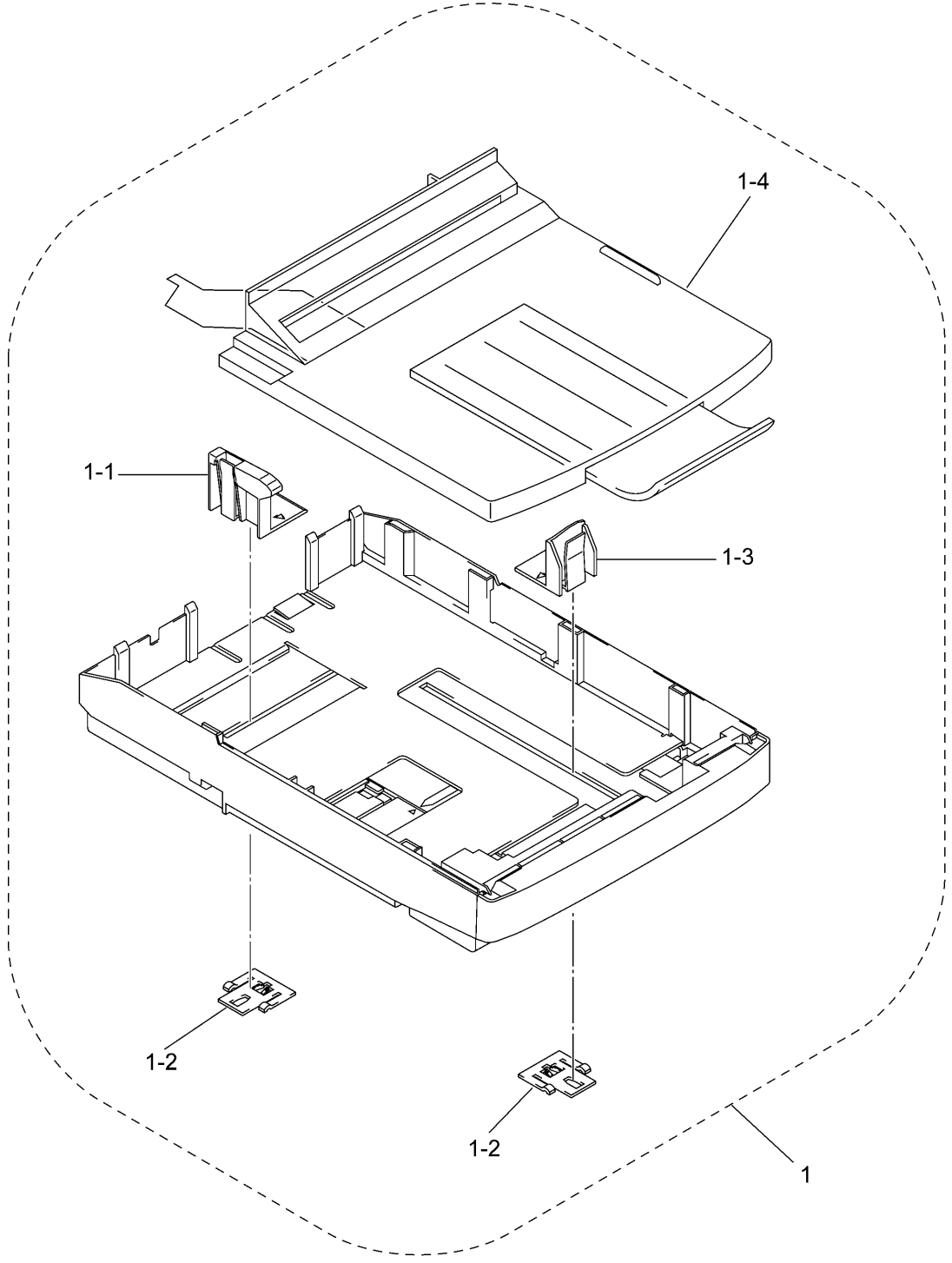
LIST 3(MAIN FRAME)

REF No.	CODE	Q'TY	DESCRIPTION	REMARKS
66	LE3158001	1	HEAD DRIVER CLAMP R	
67	LE3162001	1	INK CARTRIDGE GUIDE	



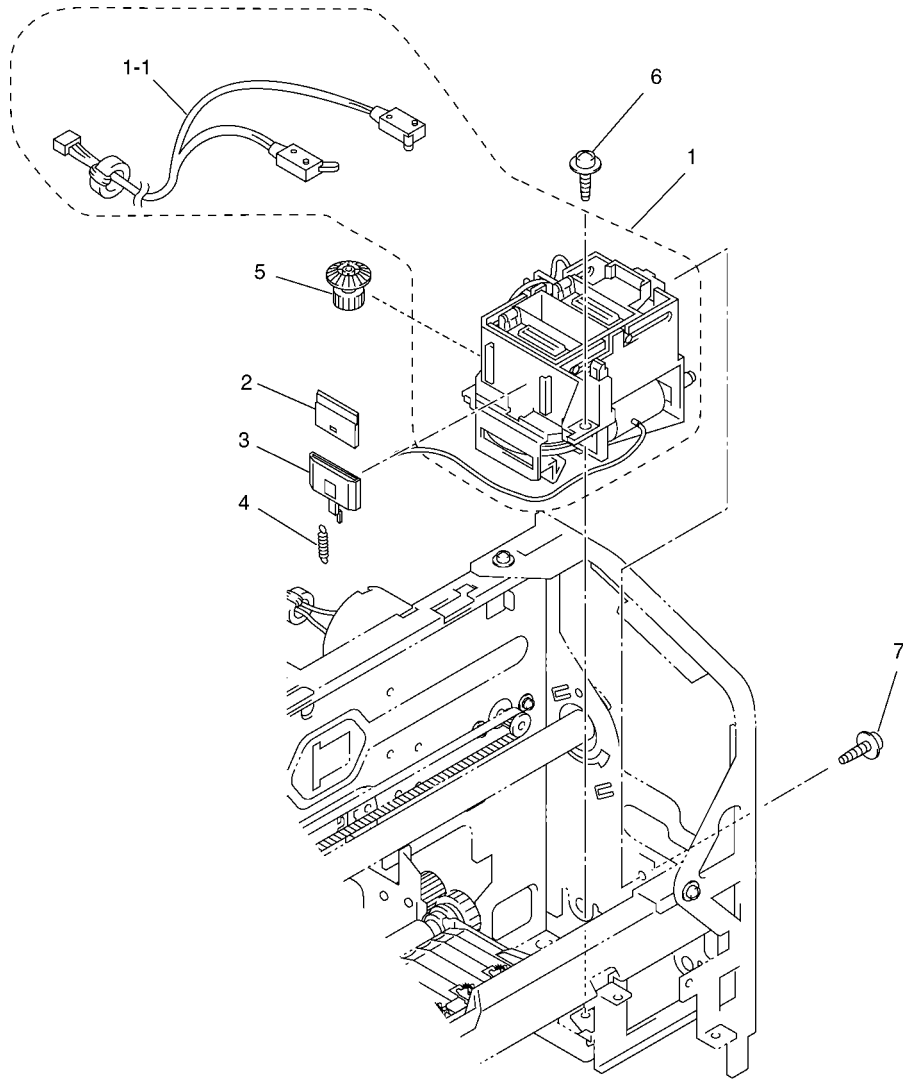
LIST 4(PAPER TRANSPORT)

REF No.	CODE	Q'TY	DESCRIPTION	REMARKS
1	087320616	1	TAPTITE, CUP S M3X6	
2	LE2489001	1	CABLE CLIP	
3	LE3395001	1	UPPER PAPER CHUTE ASSY	
3-1	LG2664001	1	REGISTRATION SENSOR PCB ASSY	
3-2	LG2666001	1	REGISTRATION SENSOR HARNESS B	
3-3	087270816	1	TAPTITE, CUP B M2.6X8	
3-4	UF0250000	2	PUSH NUT	
4	LE2481001	1	SOLENOID	
5	UD4319001	1	SOLENOID SPRING	
6	087320616	4	TAPTITE, CUP S M3X6	
7	087311017	2	TAPTITE, CUP B M3X10	
8	LE2208001	1	SEPARATION PAD ASSY	
9	LE2211001	1	PAD SPRING	
10	LE2213001	1	PAPER PICK-UP ROLLER ASSY	
11	UU1290001	1	PAWLED BUSHING	
12	UF8105001	1	BUSHING	
13	LE2220001	1	PAPER PICK-UP GEAR ASSY	
14	LE2482001	1	COLLAR STOPPER	
15	048050346	2	RETAINING RING, E5	
16	LE3447001	1	FLAT CABLE CLIP	



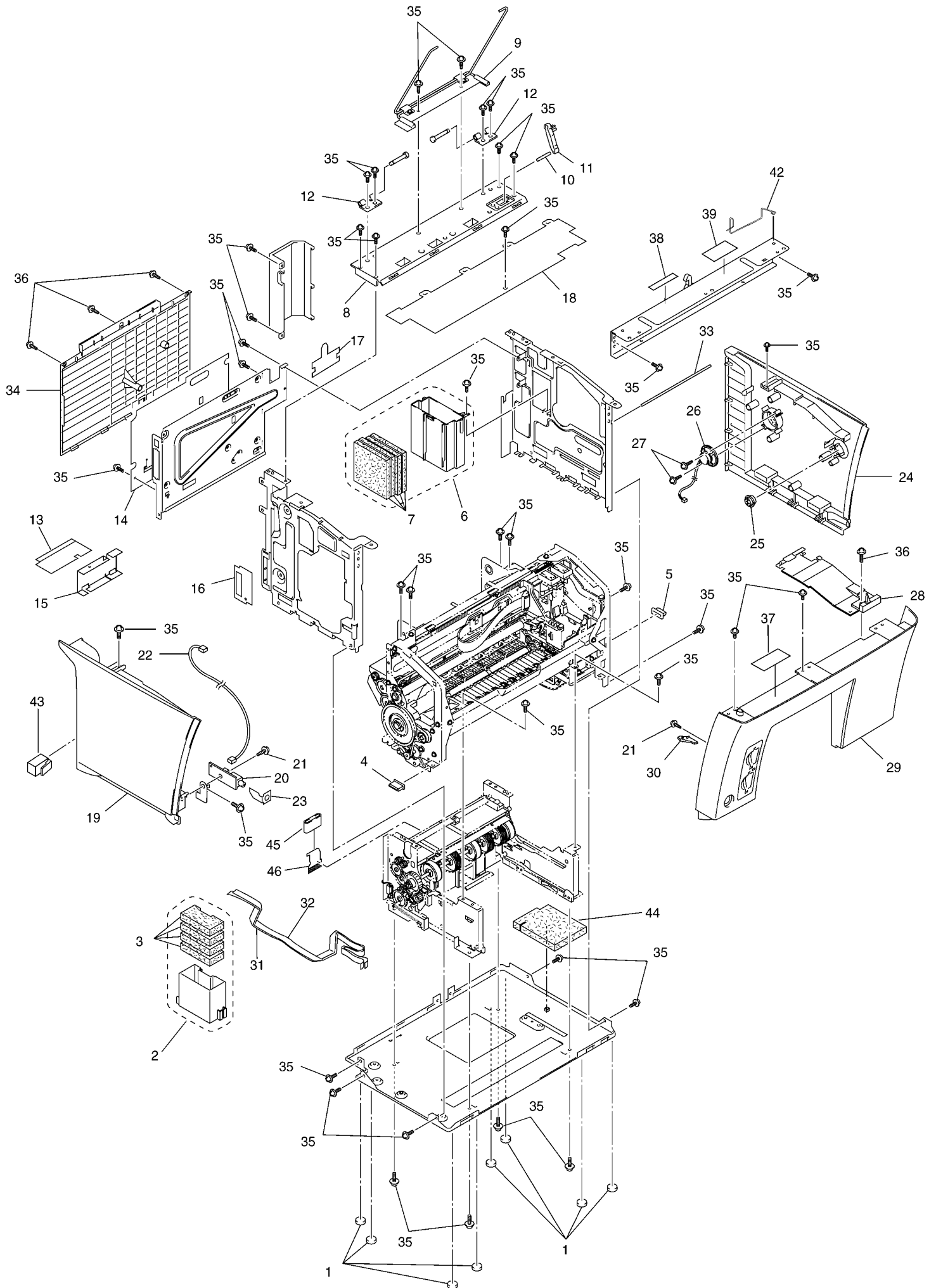
LIST 5(PAPER CASSETTE)

REF No.	CODE	Q'TY	DESCRIPTION	REMARKS
1	LE2228001	1	PAPER CASSETTE ASSY	
1-1	LE2234001	1	SIDE PAPER GUIDE	
1-2	LE2235001	2	GUIDE STOPPER	
1-3	LE2236001	1	FRONT PAPER GUIDE	
1-4	LE2239001	1	CASSETTE COVER	



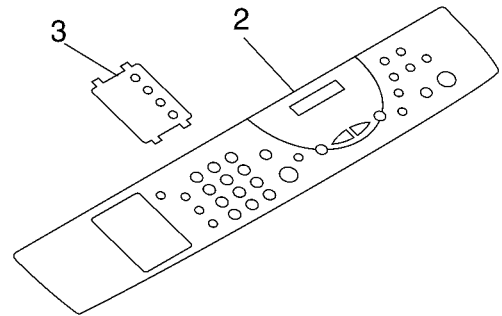
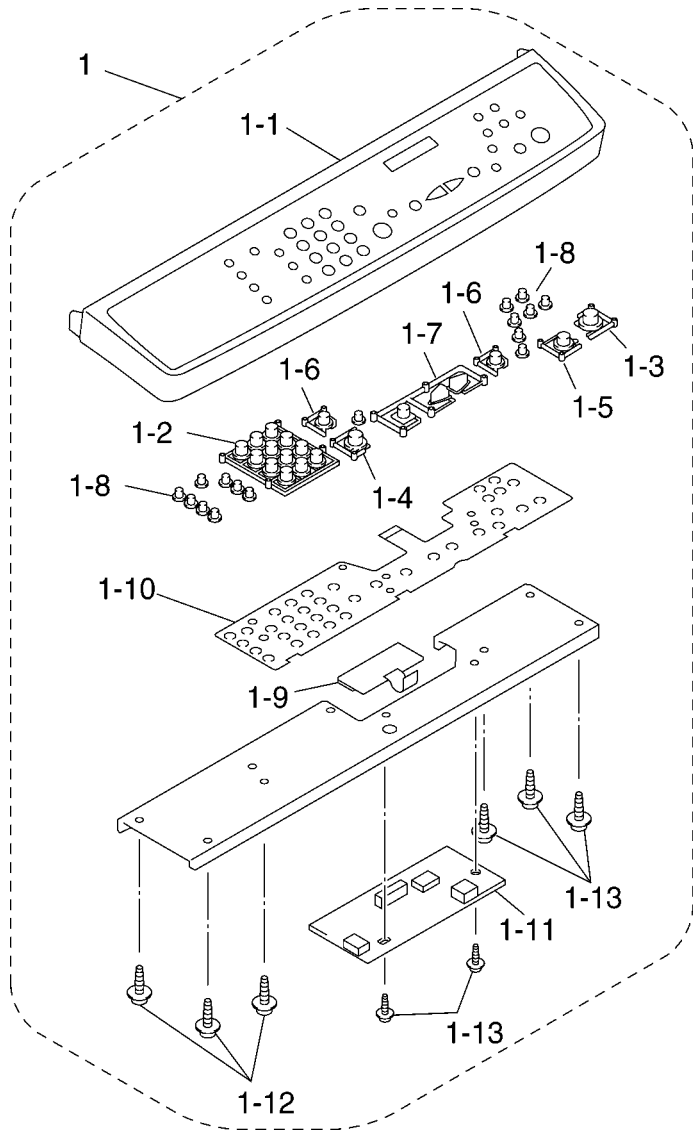
LIST 6(MAINTENANCE)

REF No.	CODE	Q'TY	DESCRIPTION	REMARKS
1	LE3212001	1	PURGE UNIT	
1-1	LG2609001	1	PURGE SWITCH HARNESS	
2	LE3223001	1	WIPER	
3	LE3222001	1	WIPER HOLDER	
4	LE3224001	1	WIPER SPRING	
5	LE3242001	1	PURGE GEAR 16/18	
6	087320616	1	TAPTITE, CUP S M3X6	
7	087311015	1	TAPTITE, CUP B M3X10	



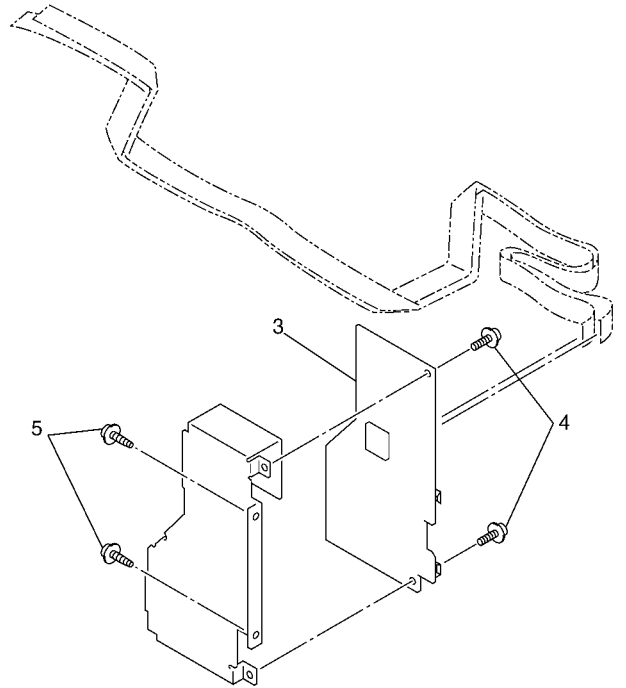
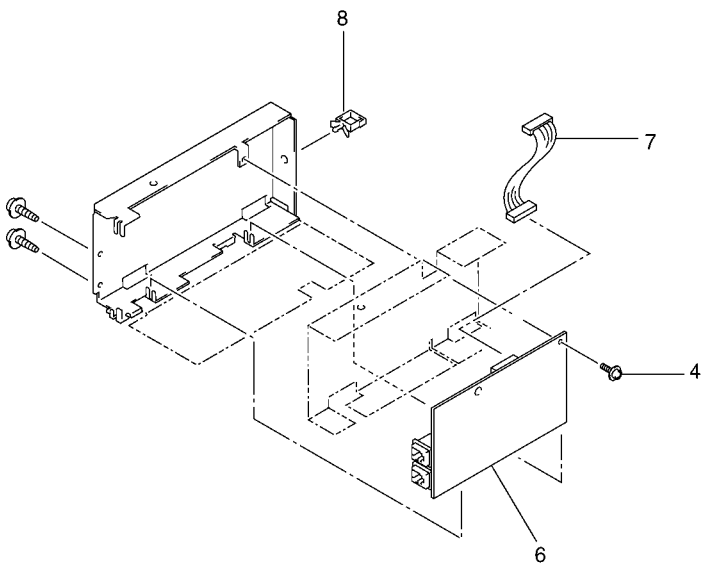
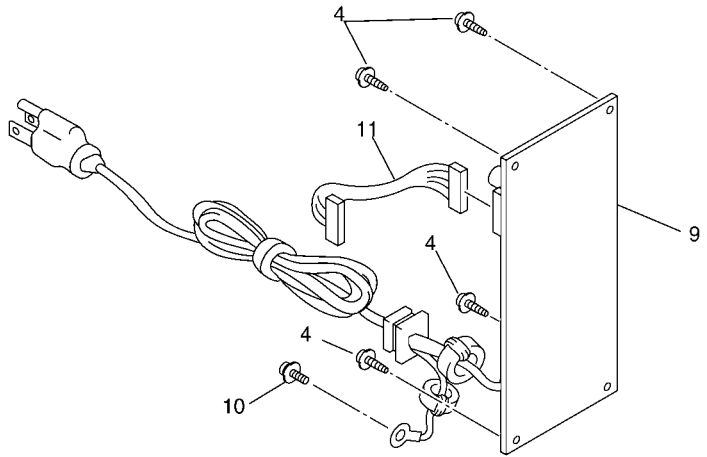
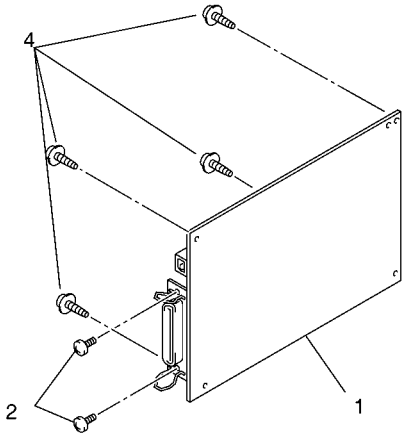
LIST 7(COVER)

REF No.	CODE	Q'TY	DESCRIPTION	REMARKS
1	LE3443001	8	RUBBER FOOT	
2	LE3367001	1	FLUSHING PACK ASSY (INCLUDING FLUSHING FORM)	
3	----	-	N/A	
4	LE3444001	1	SUPPORT RUBBER L	
5	LE3445001	1	SUPPORT RUBBER R	
6	LE3371001	1	INK ABSORBER BOX ASSY (INCLUDING INK ABSORBER)	
7	----	-	N/A	
8	LE3373001	1	REAR FRAME	
9	LE2577001	1	TORSION BAR SUPPORT	
10	LE2773001	1	LINK SHAFT	
11	LE2758001	1	LINK	
12	LE2252001	2	HINGE PLATE	
13	LE2257001	1	NCU INSULATING FILM	
14	LE3396001	1	MAIN INSULATOR FILM	
15	LE2484001	1	NCU INSULATING FILM 2	
16	LE3474001	1	SIDE INSULATOR FILM	
17	LE3597001	1	HARNES COVER FILM	
18	LE3376001	1	COVER SHEET	
19	LE3427001	1	SIDE COVER L	
20	UG5717001	1	VC CONNECTOR PCB ASSY	
21	087310815	2	TAPTITE, CUP B M3X8	
22	LG2195001	1	VC HARNES	
23	UU1213001	1	VIDEO FILM	
24	LE2263001	1	SIDE COVER R	
25	LE2264001	1	OPEN BUTTON	
26	LG2187001	1	SPEAKER	
27	UU1225001	2	TAPTITE, CUP B M4X10	
28	LE2265001	1	INNER COVER	
29	LE3428001	1	FRONT COVER	
30	LE3439001	1	LENS	
31	LG2701001	1	MEDIA FLAT CABLE 16P	
32	LG2702001	1	MEDIA FLAT CABLE 18P	
33	LE2253001	2	OPEN LEVER SHAFT	
34	LE2267001	1	REAR COVER	
35	087320616	40	TAPTITE, CUP S M3X6	
36	087321016	4	TAPTITE, CUP S M3X10	
37	LE3290001	1	INK REPLACEMENT INSTRUCTION LABEL	
38	UU1313001	1	INK COLOR INDICATION LABEL	
39	UU1236001	1	HEAD GAP ADJUSTMENT INSTRUCTION LABEL	
(40)	LE2859001	1	PAPER JAM LABEL	
(41)	UU0456001	1	PROTECTION PAPER	
42	LE3598001	1	CONTACT SPRING	
43	UF5745000	1	MJ COVER, FOR GER/UK/FRA/BEL/NLD/DEN/AUT/ITA/SWE	
44	LE3657001	1	PURGE FOAM	
45	LE3865001	1	FLAT CORE 33.5-20 (w/ rubber)	
46	LE3854001	1	CORE STOPPER 3	



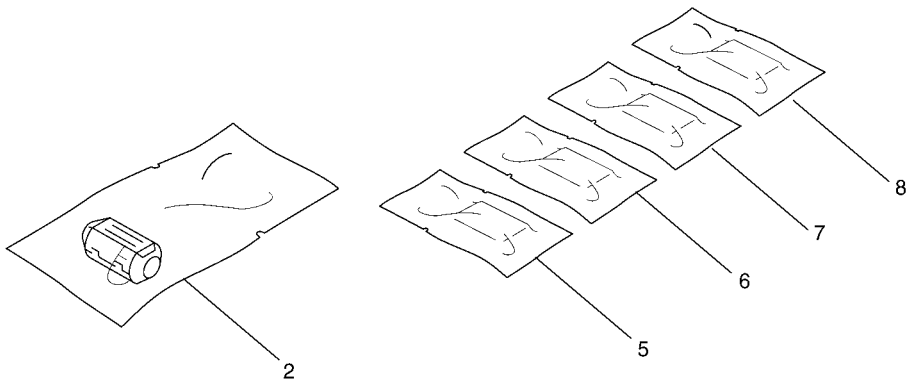
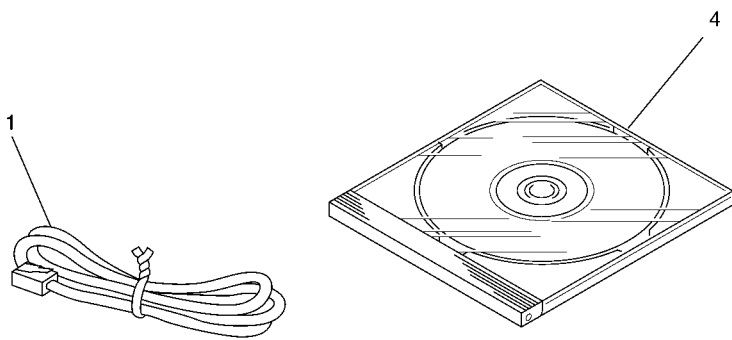
LIST 8(PANEL)

REF No.	CODE	Q'TY	DESCRIPTION	REMARKS
1	LE3402001	1	PANEL UNIT ASSY	
1-1	LE3403001	1	PANEL COVER, GRAY(1495)	
1-2	LE3431001	1	KEY, TEN, GRAY(1495)	
1-3	LJ4285001	1	KEY, COLOR COPY, GREEN(5159)	
1-4	LJ4285004	1	KEY, START, PURPLE(6255)	
1-5	LJ4231003	2	KEY, STOP/MONO COPY, GRAY(1495)	
1-6	LE3468002	1	KEY, SET, BLUE(6314)	
1-7	LE4078002	1	KEY, MENU, BLUE(6314)	
1-8	LE3295001	16	KEY, FUNCTION, GRAY(1495)	
1-9	LG2567001	1	LCD	
1-10	LG2667001	1	KEY FPC	
1-11	LG2721001	1	PANEL PCB ASSY	
1-12	087310615	7	TAPTITE, CUP B M3X6	
1-13	087270815	2	TAPTITE, CUP B M2.6X8	
2	LE3633001	1	PANEL SHEET, FOR GER/AUT	
2	LE3643001	1	PANEL SHEET, FOR UK/BEL/CHE/IRE	
2	LE3647001	1	PANEL SHEET, FOR FRA	
2	LE3813001	1	PANEL SHEET, FOR NOR	
2	LE3814001	1	PANEL SHEET, FOR NLD	
2	LE3816001	1	PANEL SHEET, FOR SPA	
2	LE3817001	1	PANEL SHEET, FOR ITA	
2	LE3818001	1	PANEL SHEET, FOR SWE	
3	LE3380001	1	ADDRESS LABEL	



LIST 9(PCB)

REF No.	CODE	Q'TY	DESCRIPTION	REMARKS
1	LG2864021	1	MAIN PCB	
2	002300615	1	SCREW, PAN M3X6	
3	LG2709001	1	MEDIA PCB ASSY	
4	087320616	11	TAPTITE, CUP S M3X6	
5	087310815	2	TAPTITE, CUP B M3X8	
6	LG2810021	1	NCU PCB, FOR GER/AUT	
6	LG2810024	1	NCU PCB, FOR UK/FRA/NOR/BEL/NLD/IRE/DEN/SWE	
6	LG2810022	1	NCU PCB, FOR CHE	
6	LG2810023	1	NCU PCB, FOR SPA/ITA	
7	LG2913001	1	NCU MAIN HARNESS	
8	UG4163000	1	CLAMP	
9	LG2765003	1	POWER SUPPLY PCB UNIT, FOR GER/FRA/NOR/BEL/NLD/AUT/SPA/ITA/SWE (INCLUDING AC CORD)	
9	LG2765004	1	POWER SUPPLY PCB UNIT, FOR UK/IRE (INCLUDING AC CORD)	
9	LG2765010	1	POWER SUPPLY PCB UNIT, FOR CHE (INCLUDING AC CORD)	
9	LG2765013	1	POWER SUPPLY PCB UNIT, FOR DEN (INCLUDING AC CORD)	
10	UF6559001	1	SCREW, PAN (WASHER) M4X8DB	
11	LG2708001	1	POWER SUPPLY HARNESS	



LIST 10(Accessors)

REF No.	CODE	Q'TY	DESCRIPTION	REMARKS
1	UL8230001	1	TELEPHONE LINE CORD, FOR GER	
1	UL8211001	1	TELEPHONE LINE CORD, FOR UK	
1	UL8290001	1	TELEPHONE LINE CORD, FOR FRA	
1	UL8384001	1	TELEPHONE LINE CORD, FOR NOR	
1	UL8219001	1	TELEPHONE LINE CORD, FOR BEL	
1	UL8231001	1	TELEPHONE LINE CORD, FOR NLD	
1	UG4169001	1	TELEPHONE LINE CORD, FOR CHE	
1	UG3409001	1	TELEPHONE LINE CORD, FOR IRE/SPA	
1	UL8288001	1	TELEPHONE LINE CORD, FOR DEN	
1	UG4204001	1	TELEPHONE LINE CORD, FOR AUT	
1	UL8289001	1	TELEPHONE LINE CORD, FOR ITA	
1	UL8218001	1	TELEPHONE LINE CORD, FOR SWE	
2	LE0019001	1	FERRITE CORE BAG ASSY, FOR FRA/NOR/BEL/NLD/CHE/DEN/SPA/ITA/SWE	
(3)	----		N/A	
4	LE3634001	1	CD-ROM ASSY, FOR GER/UK/FRA/CHE/IRE/AUT/ITA	
4	LE3800001	1	CD-ROM ASSY, FOR NOR/DEN/SWE	
4	LE3797001	1	CD-ROM ASSY, FOR BEL/NLD/SPA	
5	LK0302001	0.01	BLACK INK CARTRIDGE LC04BK(INCLUDING 100PCS)	
6	LK0308001	0.01	CYAN INK CARTRIDGE LC04C(INCLUDING 100PCS)	
7	LK0314001	0.01	MAGENTA INK CARTRIDGE LC04M(INCLUDING 100PCS)	
8	LK0320001	0.01	YELLOW INK CARTRIDGE LC04Y(INCLUDING 100PCS)	
(9)	ZA0310001	1	HEAD CLEANER STICK ASSY	
(10)	LK0287001	1	INITIAL LIQUID CARTRIDGE ASSY (INCLUDING 4PCS EMPTY CARTRIDGES)	
(11)	ZA0304001	1	INITIAL LIQUID ASSY (INCLUDING A BOTTLE OF INITIAL LIQUID (120cc) FOR PRIMING HEAD UNIT AND SYRINGE(25cc CAPACITY))	
(12)	LE3736001	1	FOAM EMPTY CARTRIDGE UNIT	
(13)	UF9258001	1	COLOR TEST CHART	
(14)	UF4600001	1	CONTRAST CHART	

LIST 11(PRINTING MATTER)

REF No.	CODE	Q'TY	DESCRIPTION	REMARKS
(1)	LE3637003	1	OWNER'S MANUAL ASSY, FOR GER/AUT (INCLUDING OWNER'S MANUAL(REF. No. (1-1)), WARRANTY CARD, LICENSE AGREEMENT SHEET)	
(1)	LE3644004	1	OWNER'S MANUAL ASSY, FOR UK (INCLUDING OWNER'S MANUAL(REF. No. (1-1)), WARRANTY CARDS, LICENSE AGREEMENT SHEET)	
(1)	LE3648005	1	OWNER'S MANUAL ASSY, FOR FRA (INCLUDING OWNER'S MANUAL(REF. No. (1-1)), WARRANTY CARDS, LICENSE AGREEMENT SHEET)	
(1)	LE3819007	1	OWNER'S MANUAL ASSY, FOR NOR (INCLUDING OWNER'S MANUAL(REF. No. (1-1)), WARRANTY CARDS, LICENSE AGREEMENT SHEET)	
(1)	LE3820008	1	OWNER'S MANUAL ASSY, FOR BEL (INCLUDING OWNER'S MANUALS(REF. No. (1-1)), WARRANTY CARD, LICENSE AGREEMENT SHEET)	
(1)	LE3821009	1	OWNER'S MANUAL ASSY, FOR NLD (INCLUDING OWNER'S MANUAL(REF. No. (1-1)), WARRANTY CARD, LICENSE AGREEMENT SHEET)	
(1)	LE3822010	1	OWNER'S MANUAL ASSY, FOR CHE (INCLUDING OWNER'S MANUALS(REF. No. (1-1)), WARRANTY CARD, LICENSE AGREEMENT SHEET)	
(1)	LE3823011	1	OWNER'S MANUAL ASSY, FOR IRE (INCLUDING OWNER'S MANUAL(REF. No. (1-1)), WARRANTY CARD, LICENSE AGREEMENT SHEET)	
(1)	LE3824013	1	OWNER'S MANUAL ASSY, FOR DEN (INCLUDING OWNER'S MANUAL(REF. No. (1-1)), WARRANTY CARD, LICENSE AGREEMENT SHEET)	
(1)	LE3825015	1	OWNER'S MANUAL ASSY, FOR SPA (INCLUDING OWNER'S MANUAL(REF. No. (1-1)), WARRANTY CARDS, LICENSE AGREEMENT SHEET)	
(1)	LE3826016	1	OWNER'S MANUAL ASSY, FOR ITA (INCLUDING OWNER'S MANUAL(REF. No. (1-1)), WARRANTY CARD, LICENSE AGREEMENT SHEET)	
(1)	LE3827026	1	OWNER'S MANUAL ASSY, FOR SWE (INCLUDING OWNER'S MANUAL(REF. No. (1-1)), WARRANTY CARDS, LICENSE AGREEMENT SHEET)	
(1-1)	LE3638003	1	OWNER'S MANUAL, FOR GER/AUT	
(1-1)	LE3638004	1	OWNER'S MANUAL, FOR UK/IRE	
(1-1)	LE3638005	1	OWNER'S MANUAL, FOR FRA	
(1-1)	LE3638007	1	OWNER'S MANUAL, FOR NOR	
(1-1)	LE3638008	1	OWNER'S MANUAL, FOR BEL (DUTCH)	
(1-1)	LE3628008	1	OWNER'S MANUAL, FOR BEL/CHE (FRENCH)	
(1-1)	LE3638009	1	OWNER'S MANUAL, FOR NLD	
(1-1)	LE3638010	1	OWNER'S MANUAL, FOR CHE (GERMAN)	
(1-1)	LE3638013	1	OWNER'S MANUAL, FOR DEN	
(1-1)	LE3638015	1	OWNER'S MANUAL, FOR SPA	
(1-1)	LE3638016	1	OWNER'S MANUAL, FOR ITA	
(1-1)	LE3638026	1	OWNER'S MANUAL, FOR SWE	
(1-2)	----		N/A	
(1-2)	----		N/A	

LIST 12(PACKING)

REF No.	CODE	Q'TY	DESCRIPTION	REMARKS
(1)	LE3639001	1	CARTON, BROTHER	
(2)	LE3389001	1	STYROFOAM ASSY	
(3)	LE3645001	1	BAG, 900X850H	
(4)	LE3473001	1	CARTON, FOR MANUAL	

brother®