



FACSIMILE EQUIPMENT

PARTS REFERENCE LIST

MODEL: MFC9160 / MFC9180

**(For Germany / United Kingdom / France /
Norway / Belgium / Netherlands /
Switzerland / Ireland / Finland / Denmark /
Austria / Spain / Italy / Sweden /
Euro Generic)**

NOTES FOR USING THIS PARTS REFERENCE LIST

1. In the case of ordering parts, it needs mentioning the following items:

- (1) Code
- (2) Q' ty
- (3) Description

Note: No orders without Parts Code or Tool No. can be accepted.

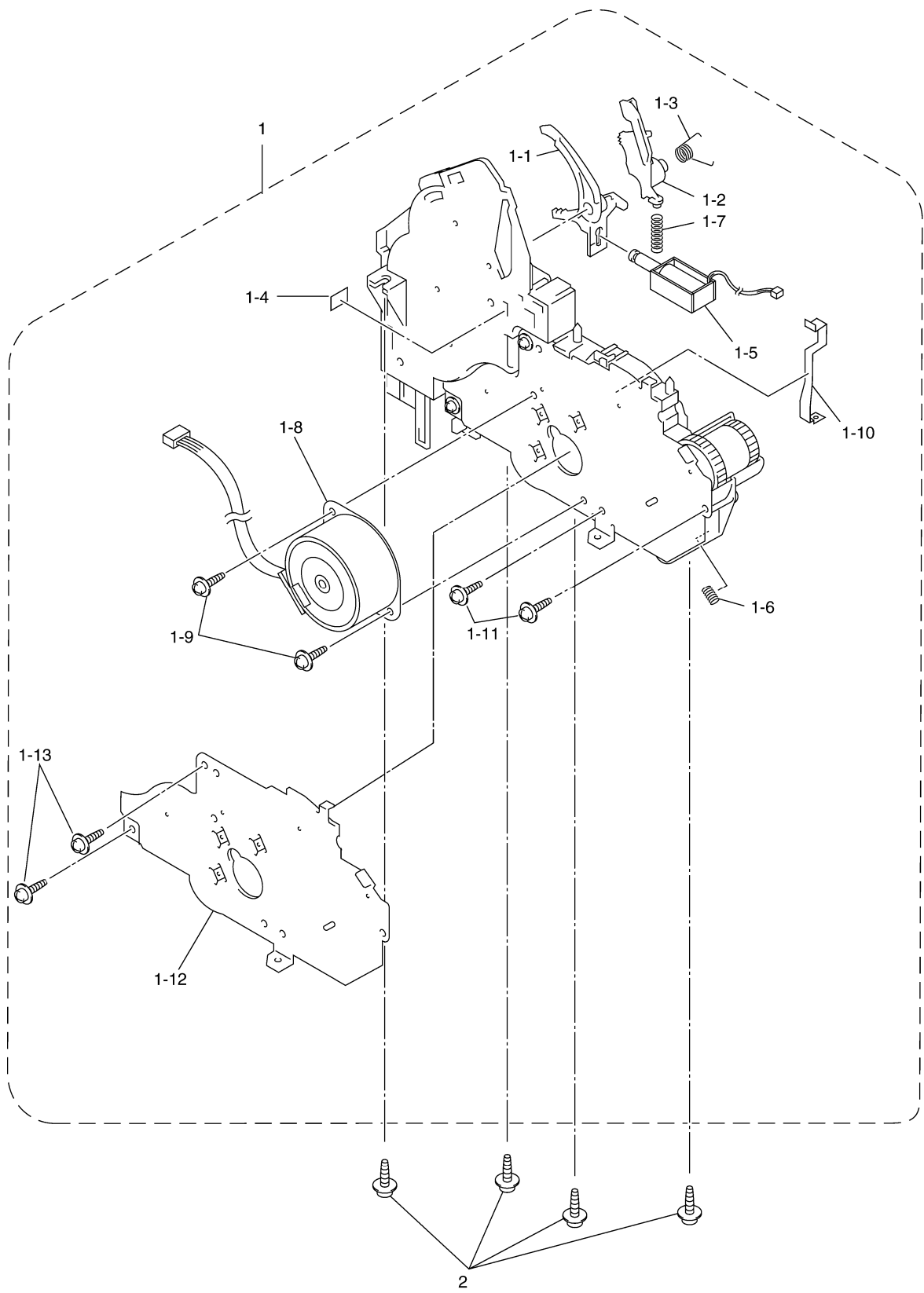
[Example]

REF.NO.	(1) CODE	(2) Q' TY	(3) DESCRIPTION	RECOMMEND	REMARKS

2. Parts change will be informed by the technical information.

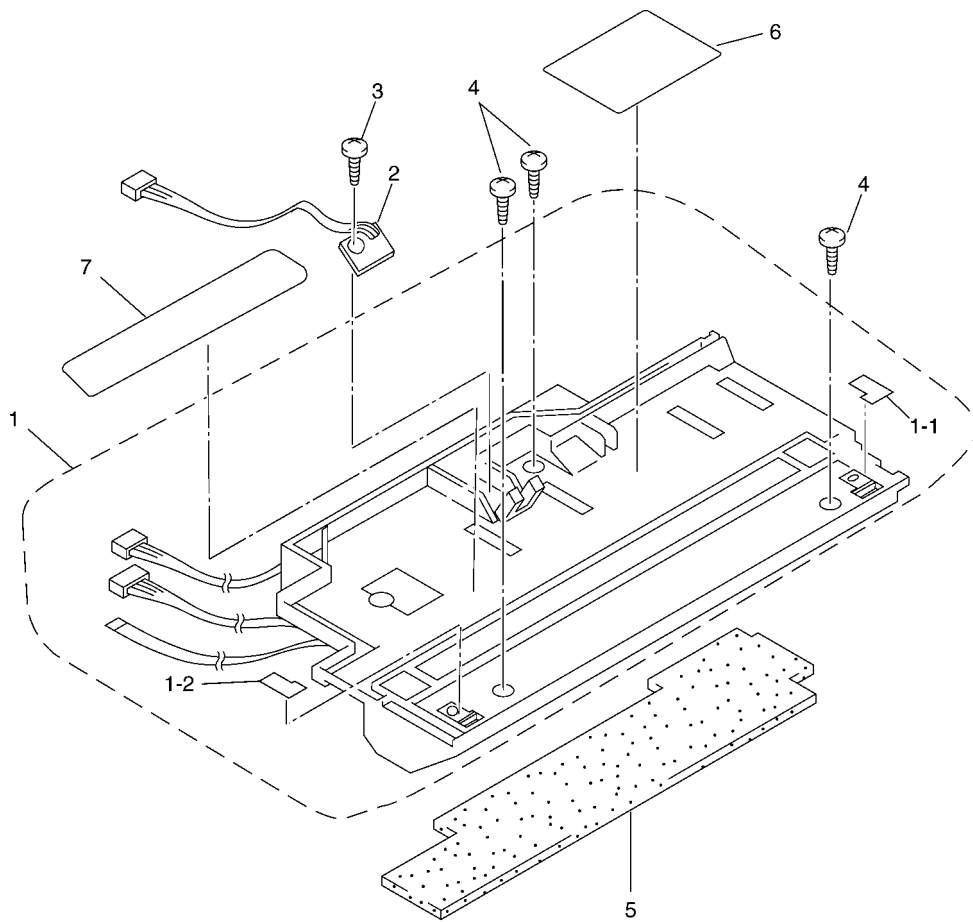
COUNTRIES

GERMANY ---- GER
UNITED KINGDOM ---- UK
FRANCE ---- FRA
NORWAY ---- NOR
BELGIUM ---- BEL
NETHERLANDS ---- NLD
SWITZERLAND ---- CHE
IRELAND ---- IRE
FINLAND ---- FIN
DENMARK ---- DEN
AUSTRIA ---- AUS
SPAIN ---- SPA
ITALY ---- ITA
SWEDEN ---- SWE
EURO GENERIC ---- GNR



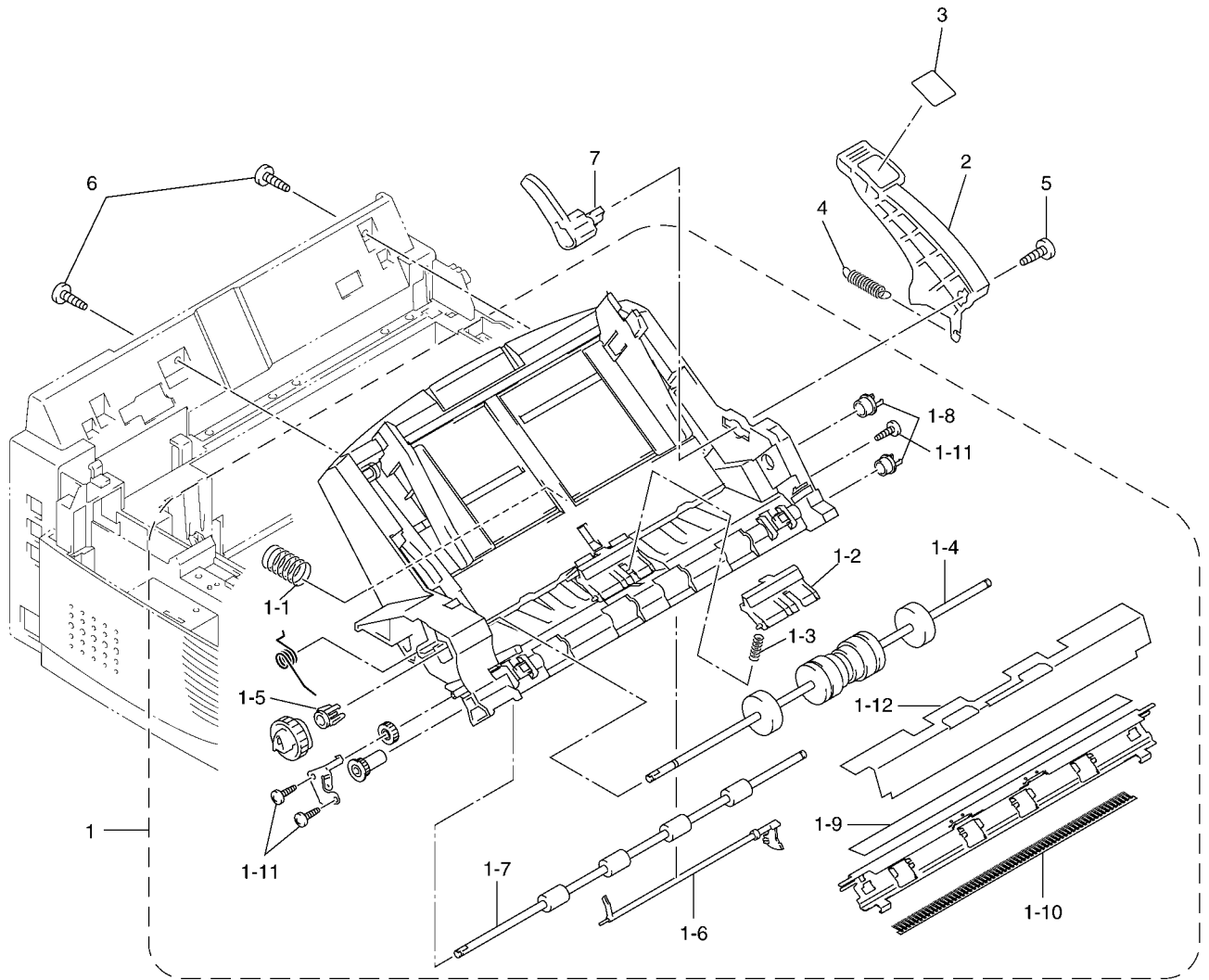
LIST1(PAPER DRIVE)

REF.NO.	CODE	Q'TY	DESCRIPTION	RECOMMEND	REMARKS
1	LE1793001	1	GEAR DRIVE UNIT		
1-1	UL6573000	1	SOLENOID LEVER		
1-2	UL6574000	1	CLUTCH RELEASE LEVER		
1-3	UL6575001	1	SOLENOID SPRING		
1-4	LE7280001	1	SOLENOID LEVER SHEET		
1-5	LE7015001	1	PAPER FEED SOLENOID ASSY		
1-6	LE7419001	1	CLUTCH GEAR SPRING		
1-7	UL6579001	1	CLUTCH HOLDER SPRING		
1-8	LE1806001	1	MAIN MOTOR ASSY		
1-9	087320616	2	TAPTITE, CUP S M3X6		
1-10	LE1807001	1	ELECTRODE		
1-11	087311016	2	TAPTITE, CUP B M3X10		
1-12	LE1795001	1	MOTOR BRACKET		
1-13	087321615	2	TAPTITE, CUP S M3X16		
2	087411415	4	TAPTITE, CUP B M4X14		
(3)	UG3005000	1	FERRITE CORE, 16X8X10		



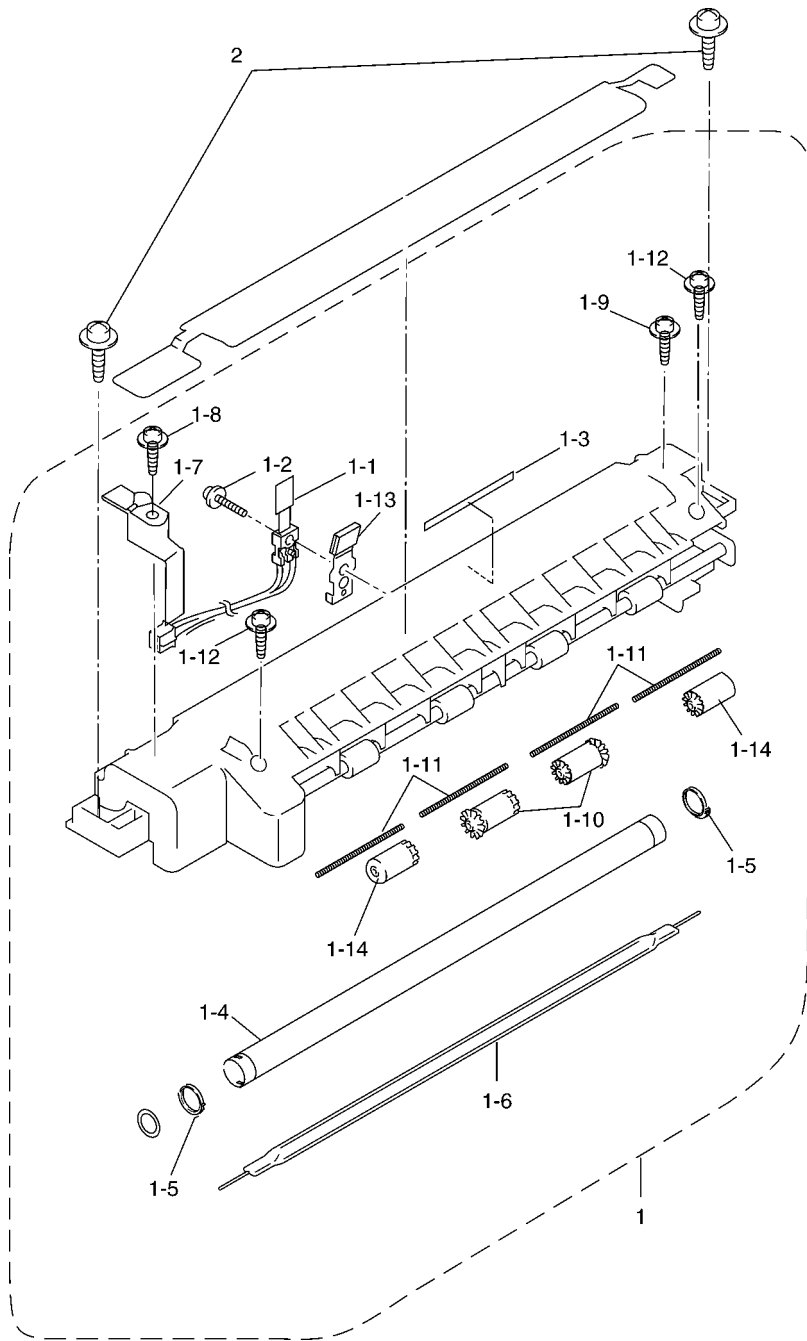
LIST2(LASER UNIT)

REF.NO.	CODE	Q'TY	DESCRIPTION	RECOMMEND	REMARKS
1	LE7197001	1	LASER UNIT(SP)	1	
1-1	UL6614001	1	SCANNER SHEET 1		
1-2	UL6615001	1	SCANNER SHEET 2		
2	LG3162001	1	TONER SENSOR PCB ASSY		
3	087310815	1	TAPTITE, CUP B M3X8		
4	085411215	3	SCREW, BIND B TITE 4X12		
5	UU7043001	1	SCANNER SEAL SPONGE		
6	UL6740001	1	LASER CAUTION LABEL		
7	UL6741001	1	TONER CAUTION LABEL		
(8)	UG3005000	1	FERRITE CORE, 16X8X10		



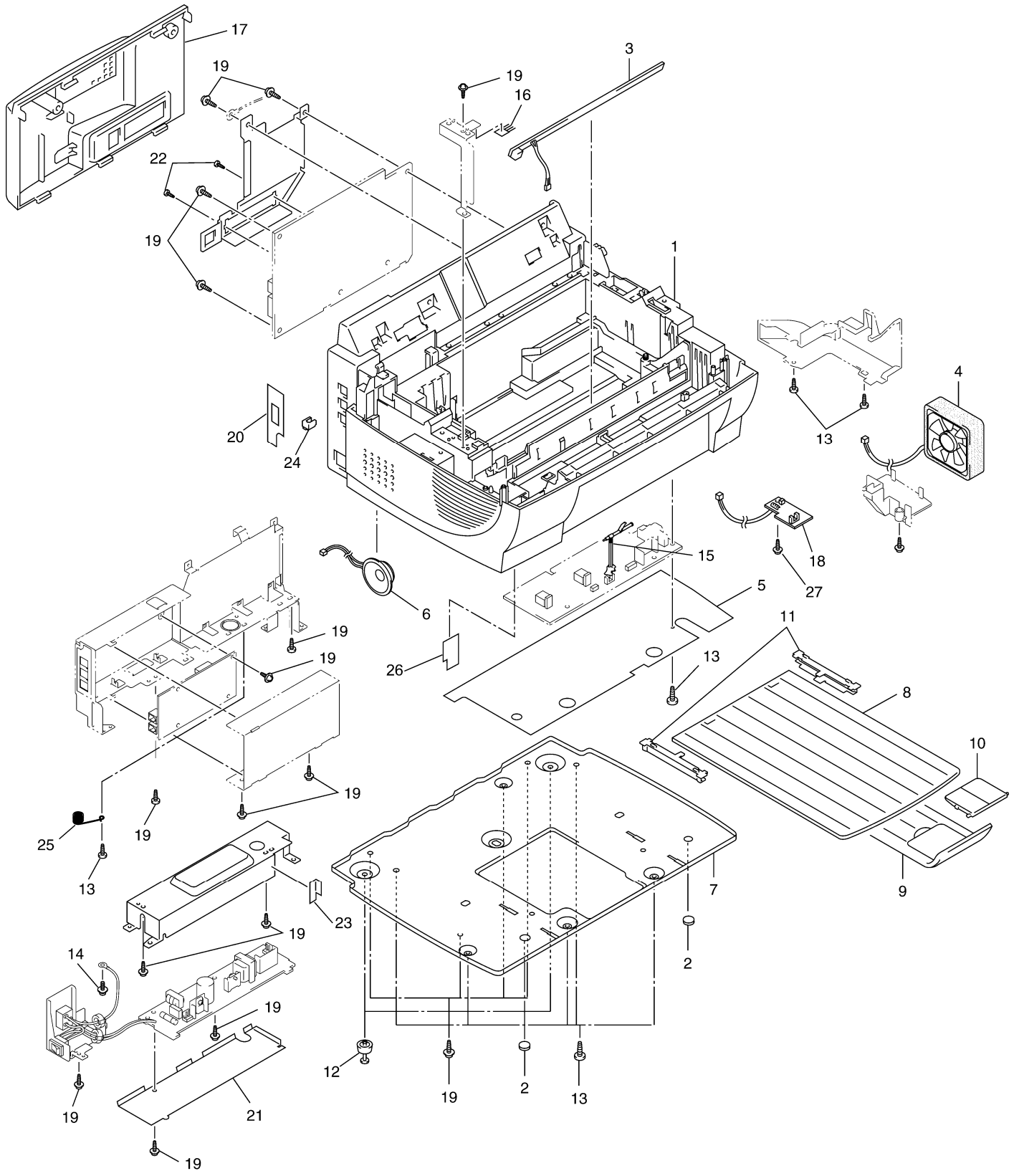
LIST3(PAPER FEED)

REF.NO.	CODE	Q'TY	DESCRIPTION	RECOMMEND	REMARKS
1	LE1833001	1	ASF ASSY, GRAY(1495)		
1-1	LE1844001	1	PLATE SPRING		
1-2	LE1943001	1	SEPARATION PAD ASSY		
1-3	UL5184001	1	SPRING		
1-4	LE1945001	1	PAPER PULL-IN ROLLER		
1-5	UL6642000	1	PAWLED BUSHING L		
1-6	LE1845001	1	REGISTRATION SENSOR ACTUATOR		
1-7	UL6654001	1	PAPER FEED ROLLER		
1-8	UF0026001	2	PAWLED BUSHING R		
1-9	UL6659001	1	CHUTE FILM		
1-10	LJ5219001	1	ANTI-STATIC BRUSH		
1-11	U04887001	3	TAPTITE, BIND B M2.6X8		
1-12	LE7019001	1	BLACK FILM		
2	LE7047001	1	RELEASE LEVER, PURPLE(6255)		
3	LE7137001	1	RELEASE LEVER LABEL		
4	LE1835001	1	RELEASE LEVER SPRING		
5	085411015	1	TAPTITE, BIND B M4X10		
6	085411215	2	TAPTITE, BIND B M4X12		
7	LE1837001	1	RELEASE CAM		



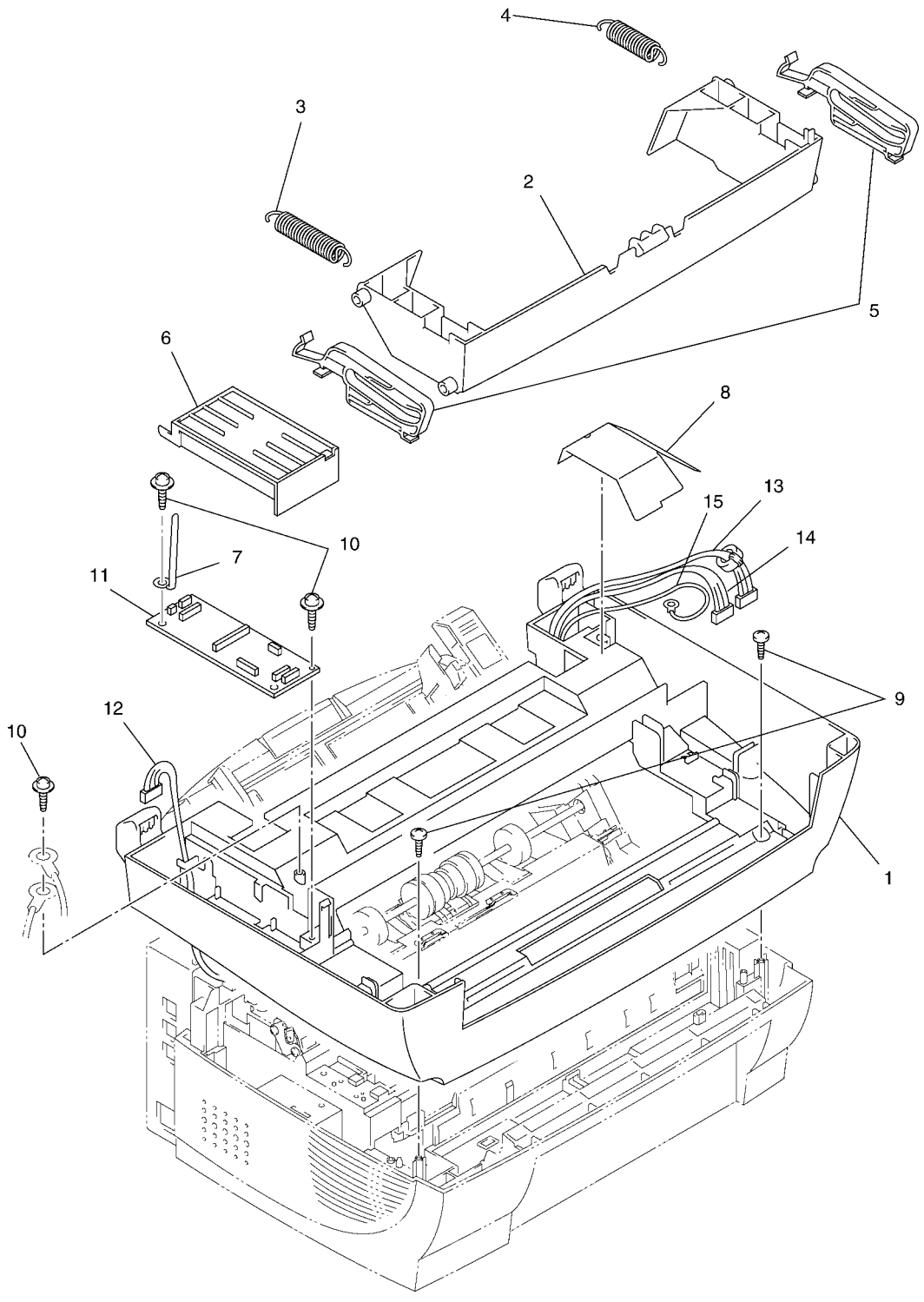
LIST4(FIXING UNIT)

REF.NO.	CODE	Q'TY	DESCRIPTION	RECOMMEND	REMARKS
1	LE7343001	1	HEAT FIXING UNIT 230 ASSY(SP)	1	
1-1	LE1849001	1	THERMISTER ASSY		
1-2	087311415	1	TAPTITE, CUP B M3X14		
1-3	LE7302001	1	HEATER ROLLER CLEANER FELT		
1-4	LE1850001	1	HEATER ROLLER		
1-5	UH3178000	2	HEATER ROLLER SHAFT HOLDER		
1-6	LE7133001	1	TUNGSTEN HOLOGEN LAMP, 230V		
1-7	UH3182000	1	LOCK PLATE		
1-8	083311017	1	TAPTITE, PAN B M3X10		
1-9	LJ4820001	1	SCREW, PAN(WASHER) M2.6X6DA		
1-10	UH3323001	2	EJECT PINCH ROLLER ASSY		
1-11	UL6682001	4	PINCH SPRING		
1-12	085311216	2	TAPTITE, BIND B M3X12		
1-13	LE7043001	1	CLEANER ASSY		
1-14	UH3324001	2	EJECTION PRESSURE ROLLER		
2	087411616	2	TAPTITE, CUP B M4X16		



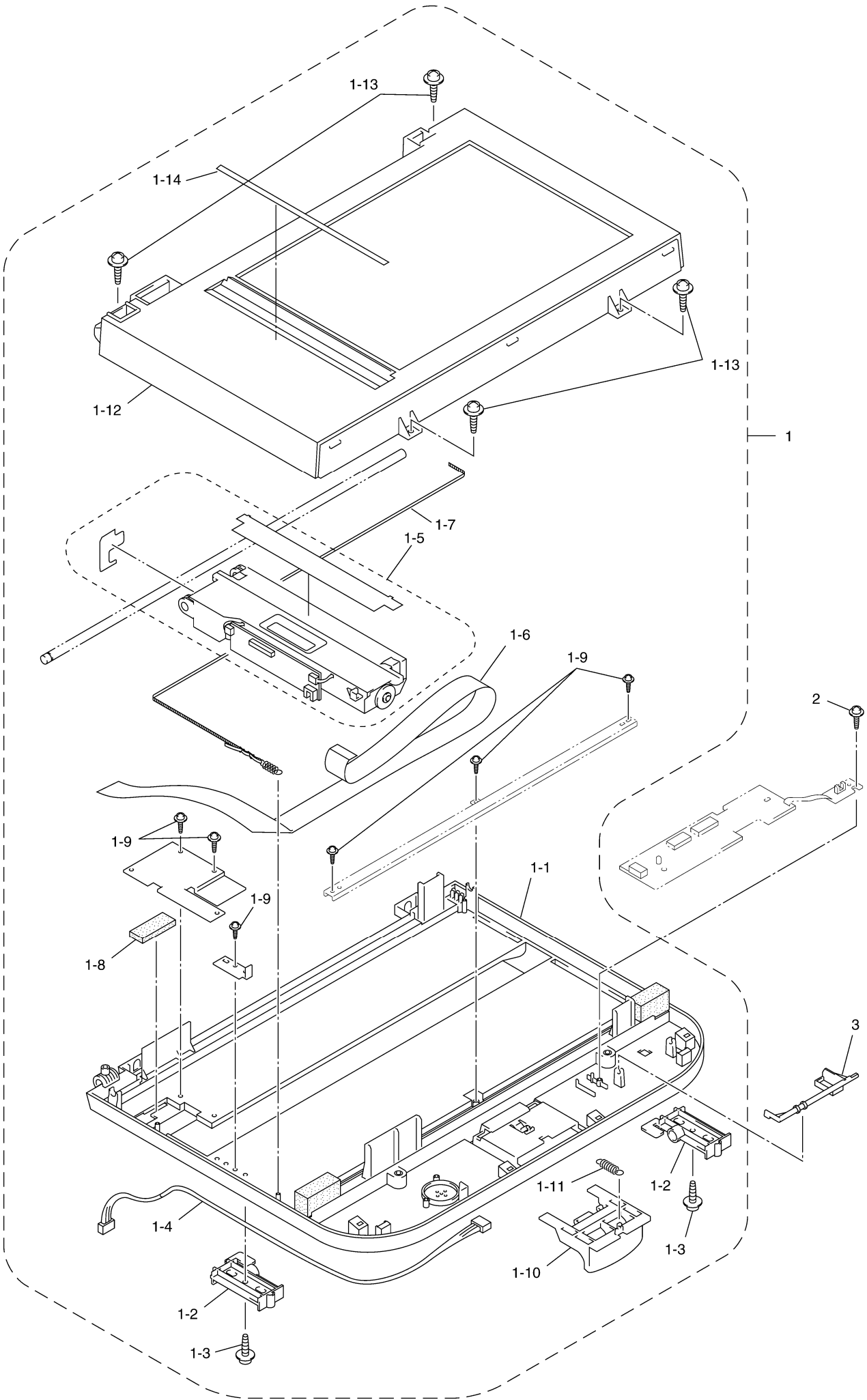
LIST5(MAIN COVER)

REF.NO.	CODE	Q'TY	DESCRIPTION	RECOMMEND	REMARKS
1	LE1786001	1	MAIN COVER, GRAY(1495)		
2	LE7299001	2	RUBBER FOOT (FRONT)		
3	LE1863001	1	EL (ERASER LAMP) BOARD		
4	LE7059001	1	FAN		
5	LE1865001	1	HIGH-VOLTAGE INSULATOR SHEET		
6	LG3166001	1	SPEAKER		
7	LE1868001	1	BOTTOM PLATE		
8	LE1870001	1	PAPER TRAY		
9	LE1871001	1	PAPER SUB TRAY		
10	LJ5599001	1	PAPER STOPPER		
11	LE1872001	2	PAPER TRAY HOLDER		
12	UH2208001	2	RUBBER FOOT (REAR)		
13	085411215	9	SCREW, BIND B TITE 4X12		
14	UF6559001	1	SCREW, PAN (WASHER) M4X8DB		
15	LE1874001	1	PAPER EJECTION SENSOR ACTUATOR		
16	LE1876001	1	ANTI-STATIC BRUSH		
17	LE1877001	1	BOARD ACCESS COVER		
18	LG3279001	1	MAIN-FAN PCB ASSY		
19	087320616	18	TAPTITE, CUP S M3X6		
20	LE1253001	1	MODULAR JACK FILM, MFC9180		
20	LE1435001	1	MODULAR JACK FILM, MFC9160		
21	LE1881001	1	LOW-VOLTAGE INSULATOR SHEET		
22	083321216	2	TAPTITE, PAN S M3X12		
23	LE7142001	1	PS SHIELD FILM MJ COVER, MFC9180		
24	UF5745000	1	FOR GER/UK/FRA/BEL/FIN/DEN/AUS/ITA/SWE/GNR		
25	LE7883001	1	GROUNDING SPRING		
26	LE7898001	1	PROTECTION FILM		
27	087310815	2	TAPTITE, CUP B M3X8		



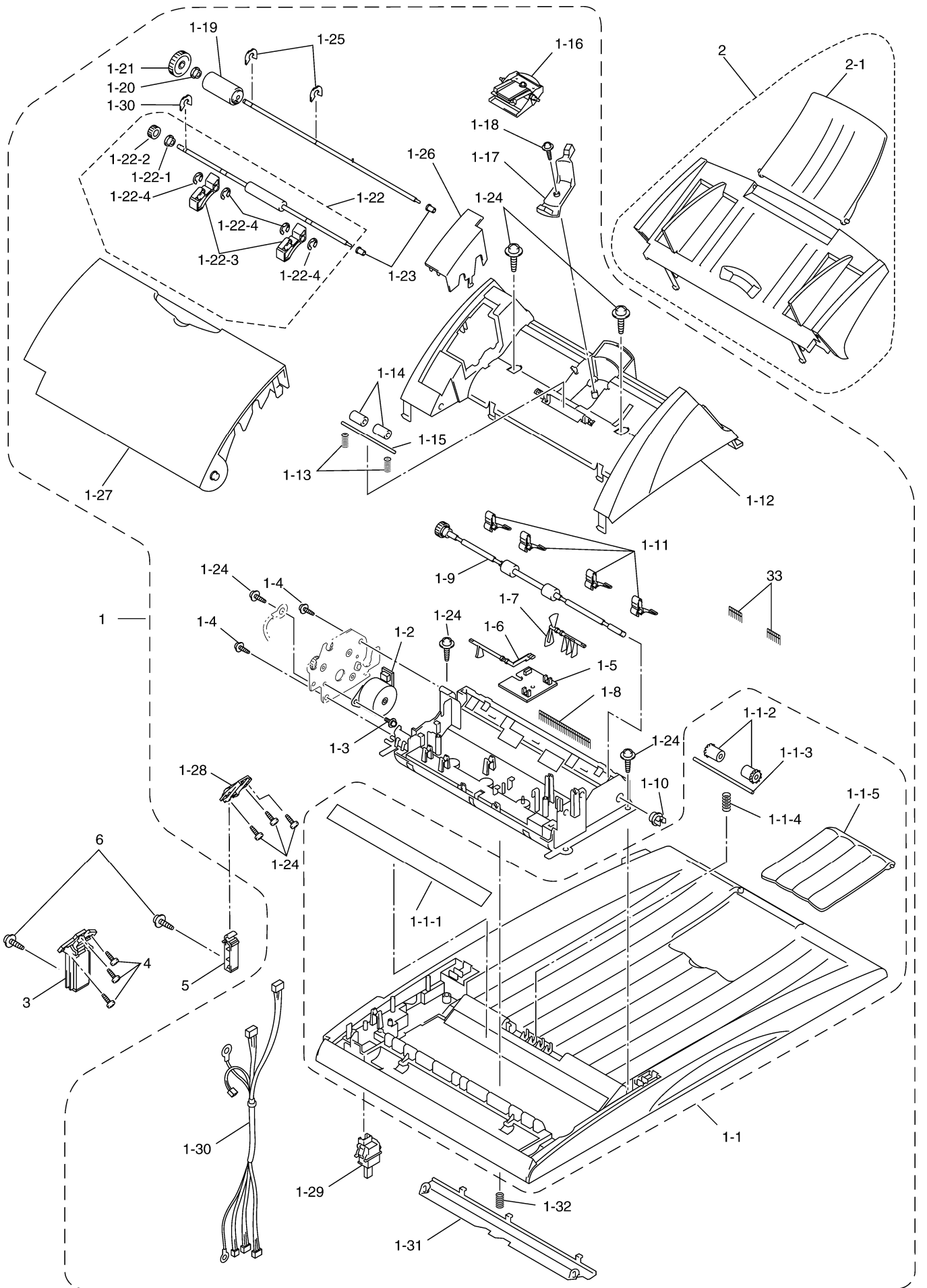
LIST6(JOINT COVER)

REF.NO.	CODE	Q'TY	DESCRIPTION	RECOMMEND	REMARKS
1	LE1788001	1	SCANNER MOUNT		
2	LE1992001	1	FRONT COVER		
3	LE7421001	1	SCANNER SPRING L		
4	LE7422001	1	SCANNER SPRING R		
5	LE1994001	2	FRONT COVER GUIDE		
6	LE7026001	1	RELAY PCB COVER		
7	LE7660001	1	COATING CLIP		
8	LE7173001	1	HARNESS COVER		
9	085411216	2	TAPTITE, BIND B M4X12		
10	087311016	5	TAPTITE, CUP B M3X10		
11	LG3266001	1	RELAY PCB ASSY	1	
12	LG3272001	1	RELAY (CCD/SEN) HARNESS		
13	LG3273001	1	RELAY (ADF) HARNESS		
14	LG3699001	1	RELAY (CCD/PANEL) HARNESS		
15	LG3275001	1	GROUNDING WIRE		
(16)	UG4641001	1	FERRITE CORE, NF-80		



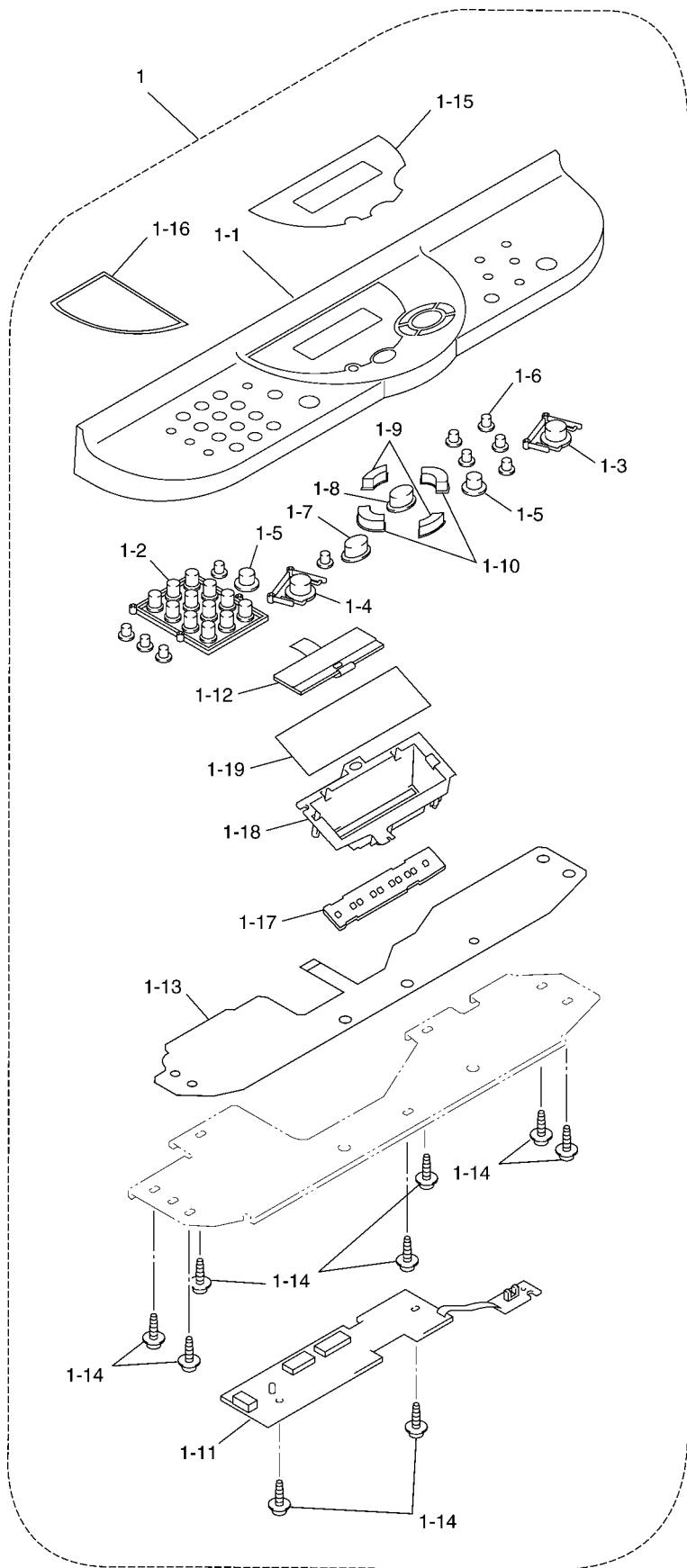
LIST7(DOCUMENT SCANNER)

REF.NO.	CODE	Q'TY	DESCRIPTION	RECOMMEND	REMARKS
1	LE6466001	1	SCANNER UNIT (SP)	1	
1-1	LE1789001	1	SCANNER BASE, GRAY(1495)		
1-2	LE6253001	2	FRONT COVER CONNECTOR		
1-3	087411216	2	TAPTITE, CUP B M4X12		
1-4	LG3233001	1	PANEL HARNESS		
1-5	LE6533001	1	CCD UNIT		
1-6	LE6351001	1	CCD FLAT CABLE		
1-7	LE6353001	1	CCD DRIVE BELT ASSY		
1-8	LE6260001	1	SPONGE		
1-9	087310816	6	TAPTITE, CUP B M3X8		
1-10	LE6263001	1	SCANNER OPEN LEVER, PURPLE(6255)		
1-11	LE6264001	1	LEVER SPRING		
1-12	LE6267001	1	SCANNER TOP COVER ASSY		
1-13	087411216	4	TAPTITE, CUP B M4X12		
1-14	LE8107004	4	CCD-PROTECTOR-R	<Deleted>	
1-15	LE8108004	4	CCD-PROTECTOR-F	<Deleted>	
1-16	LE6355001	1	DOCUMENT SET LABEL		
1-17	LE7947004	4	BELT-STOPPER	<Deleted>	
2	087310815	1	TAPTITE, CUP B M3X8		
3	LE2095001	1	SCANNER OPEN SENSOR ACTUATOR		



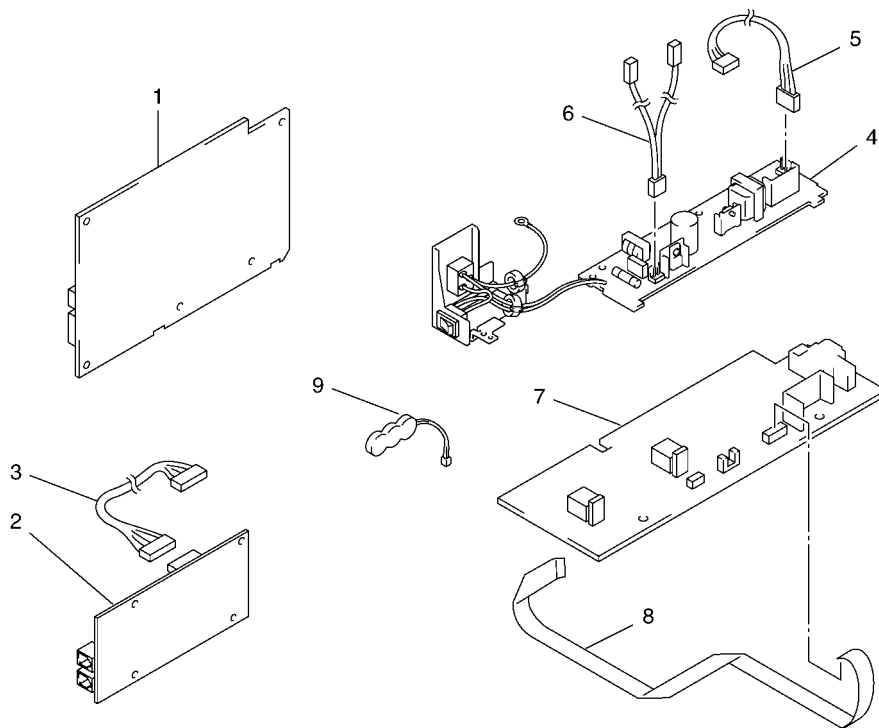
LIST8(ADF)

REF.NO.	CODE	Q'TY	DESCRIPTION	RECOMMEND	REMARKS
1	LE6201001	1	ADF/DOCUMENT TRAY ASSY	1	
1-1	LE6202001	1	DOCUMENT TRAY SUB ASSY		
1-1-1	LE6205001	1	CHUTE FILM		
1-1-2	UL6244002	2	PINCH ROLLER		
1-1-3	LE2471001	1	PINCH ROLLER SHAFT		
1-1-4	LE6206001	1	PINCH ROLLER SPRING		
1-1-5	LE6207001	1	DOCUMENT STOPPER		
1-2	LE6214001	1	ADF MOTOR		
1-3	0A4300605	1	SCREW, PAN WASHER M3X6		
1-4	087310815	2	TAPTITE, CUP B M3X8		
1-5	LG3216001	1	DOCUMENT SENSOR PCB ASSY		
1-6	LE6219001	1	DOCUMENT REAR SENSOR ACTUATOR		
1-7	LE6220001	1	DOCUMENT FRONT SENSOR ACTUATOR		
1-8	LE6221001	1	ANTI-STATIC BRUSH		
1-9	LE6222001	1	DOCUMENT EJECTION ROLLER ASSY		
1-10	UF0026001	1	PAWLED BUSHING		
1-11	LE6334001	4	DOCUMENT GUIDE CLIP		
1-12	LE6226001	1	UPPER ADF CHUTE		
1-13	LE2472001	2	PRESSURE ROLLER SPRING		
1-14	UF9009001	2	PRESSURE ROLLER		
1-15	LE2471001	1	PRESSURE ROLLER SHAFT		
1-16	LE6345001	1	SEPARATION RUBBER UNIT		
1-17	LE6330001	1	ADF THICKNESS ADJUSTER		
1-18	UF5034001	1	TAPTITE, B M3X6		
1-19	LE2037001	1	SEPARATION ROLLER		
1-20	LE6494001	1	BUSHING		
1-21	LE6230001	1	SEPARATION ROLLER GEAR		
1-22	LE6233001	1	DOCUMENT FEED ROLLER ASSY		
1-22-1	LE6494001	1	BUSHING		
1-22-2	LE6495001	1	DOCUMENT FEED ROLLER GEAR		
1-22-3	LE6492001	2	DOCUMENT FEED PAPER CHUTE		
1-22-4	048050346	4	RETAINING RING		
1-23	UF9949001	2	BUSHING S (SEPARATION ROLLER, FEED ROLLER)		
1-24	087311016	8	TAPTITE, CUP B M3X10		
1-25	048050346	2	RETAINING RING E5		
1-26	LE6236001	1	GEAR COVER, GRAY(1495)		
1-27	LE6237001	1	ADF COVER, GRAY(1495)		
1-28	LE6245001	1	HINGE BASE R		
1-29	LG3218001	1	DOCUMENT TRAY OPEN SENSOR		
1-30	LG3219001	1	ADF MOTOR SENSOR HARNESS ASSY		
1-31	LE6215001	1	DOCUMENT PRESSURE BAR		
1-32	LE6218001	1	SPRING		
1-33	LE6609001	2	ANTI-STATIC BRUSH S		
2	LE6246001	1	DOCUMENT GUIDE BASE		
2-1	LE6250001	1	DOCUMENT SUPPORT, CLEAR PURPLE(6342)		
3	LE6238001	1	HINGE L		
4	087311016	3	TAPTITE, CUP B M3X10		
5	LE6244001	1	HINGE ARM		
6	085411215	2	SCREW, BIND B M4X12		



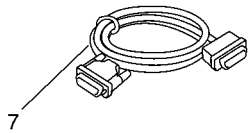
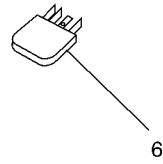
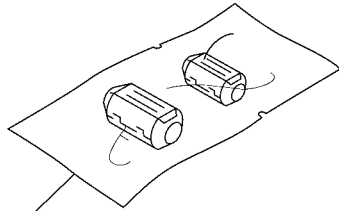
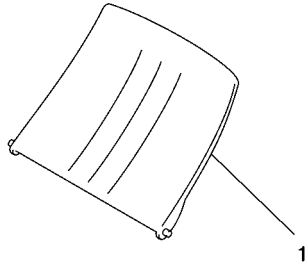
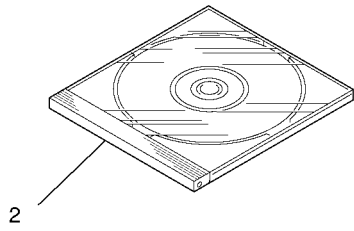
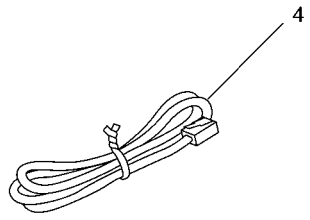
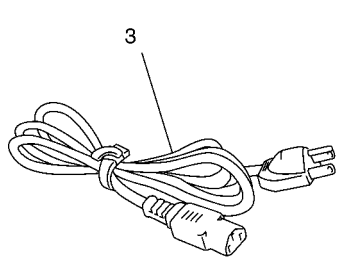
LIST9(CONTROL PANEL)

REF.NO.	CODE	Q'TY	DESCRIPTION	RECOMMEND	REMARKS
1	LE7384001	1	CONTROL PANEL ASSY, MFC9160 FOR GER	1	
1	LE7352001	1	CONTROL PANEL ASSY, MFC9180 FOR GER/AUS	1	
1	LE7396001	1	CONTROL PANEL ASSY, MFC9160 FOR UK/BEL/CHE/GNR	1	
1	LE7372001	1	CONTROL PANEL ASSY, MFC9160 FOR UK/BEL/CHE/IRE/GNR	1	
1	LE7403001	1	CONTROL PANEL ASSY, MFC9160 FOR FRA	1	
1	LE7378001	1	CONTROL PANEL ASSY, MFC9180 FOR FRA	1	
1	LE7804001	1	CONTROL PANEL ASSY, MFC9160 FOR NOR	1	
1	LE7720001	1	CONTROL PANEL ASSY, MFC9180 FOR NOR	1	
1	LE7819001	1	CONTROL PANEL ASSY, MFC9160 FOR NLD	1	
1	LE7732001	1	CONTROL PANEL ASSY, MFC9180 FOR NLD	1	
1	LE7743001	1	CONTROL PANEL ASSY, MFC9180 FOR FIN	1	
1	LE7826001	1	CONTROL PANEL ASSY, MFC9160 FOR DEN	1	
1	LE7748001	1	CONTROL PANEL ASSY, MFC9180 FOR DEN	1	
1	LE7831001	1	CONTROL PANEL ASSY, MFC9160 FOR SPA	1	
1	LE7754001	1	CONTROL PANEL ASSY, MFC9180 FOR SPA	1	
1	LE7836001	1	CONTROL PANEL ASSY, MFC9160 FOR ITA	1	
1	LE7759001	1	CONTROL PANEL ASSY, MFC9180 FOR ITA	1	
1	LE7841001	1	CONTROL PANEL ASSY, MFC9160 FOR SWE	1	
1	LE7764001	1	CONTROL PANEL ASSY, MFC9180 FOR SWE	1	
1-1	LE7178001	1	CONTROL PANEL, MFC9160 FOR GER		
1-1	LE7175001	1	CONTROL PANEL, MFC9180 FOR GER/AUS		
1-1	LE7179001	1	CONTROL PANEL, MFC9160 FOR UK/BEL/CHE/GNR		
1-1	LE7176001	1	CONTROL PANEL, MFC9180 FOR UK/BEL/CHE/IRE/GNR		
1-1	LE7180001	1	CONTROL PANEL, MFC9160 FOR FRA		
1-1	LE7177001	1	CONTROL PANEL, MFC9180 FOR FRA		
1-1	LE7805001	1	CONTROL PANEL, MFC9160 FOR NOR		
1-1	LE7721001	1	CONTROL PANEL, MFC9180 FOR NOR		
1-1	LE7820001	1	CONTROL PANEL, MFC9160 FOR NLD		
1-1	LE7733001	1	CONTROL PANEL, MFC9180 FOR NLD		
1-1	LE7744001	1	CONTROL PANEL, MFC9180 FOR FIN		
1-1	LE7827001	1	CONTROL PANEL, MFC9160 FOR DEN		
1-1	LE7749001	1	CONTROL PANEL, MFC9180 FOR DEN		
1-1	LE7832001	1	CONTROL PANEL, MFC9160 FOR SPA		
1-1	LE7755001	1	CONTROL PANEL, MFC9180 FOR SPA		
1-1	LE7837001	1	CONTROL PANEL, MFC9160 FOR ITA		
1-1	LE7760001	1	CONTROL PANEL, MFC9180 FOR ITA		
1-1	LE7842001	1	CONTROL PANEL, MFC9160 FOR SWE		
1-1	LE7765001	1	CONTROL PANEL, MFC9180 FOR SWE		
1-2	LJ4284001	1	KEY, TEN, GRAY(1495), MFC9160		
1-2	LE3431001	1	KEY, TEN, GRAY(1495), MFC9180		
1-3	LJ4285001	1	KEY, COPY, GREEN(5159)		
1-4	LJ4285002	1	KEY, START, GRAY(1495), MFC9160		
1-4	LJ4285004	1	KEY, START, PURPLE(6255), MFC9180		
1-5	LE6171001	2	KEY, CYLINDER 9.5, GRAY(1495)		
1-6	LE7276001	7	KEY, CYLINDER 6, GRAY(1495), MFC916C		
1-6	LE7276001	10	KEY, CYLINDER 6, GRAY(1495), MFC918C		
1-7	LE6170002	1	KEY, STOP, PINK(2205)		
1-8	LE6350001	1	KEY, MENU FOR GER/AUS <GERMAN>		
1-8	LE6079001	1	KEY, MENU FOR COUNTRIES EXCEPT GER/AUS <ENGLISH>		
1-9	LE6168001	2	KEY, CURSOR L, PURPLE(6255)		
1-10	LE6169001	2	KEY, CURSOR S, PURPLE(6255)		
1-11	LG3445001	1	CONTROL PANEL PCB ASSY, MFC9160/MFC9180		
1-12	LJ8529001	1	LCD, MFC9160/MFC9180		
1-13	LG3230001	1	FPC KEY		
1-14	087310615	9	TAPTITE, CUP B M3X6		
1-15	LE7182001	1	LCD SHEET, MFC9160	1	
1-15	LE7181001	1	LCD SHEET, MFC9180	1	
1-16	LE7279001	1	LOGO PLATE, MFC9160		
1-17	LG3446001	1	BACK LIGHT PCB, MFC9160/MFC9180		
1-18	LE7353001	1	BACK LIGHT HOLDER, MFC9160/MFC9180		
1-19	LE7354001	1	BACK LIGHT FILM, MFC9160/MFC9180		
2	087311216	6	TAPTITE, CUP B M3X12		



LIST10(PCB)

REF.NO.	CODE	Q'TY	DESCRIPTION	RECOMMEND	REMARKS
1	LG3444001	1	MAIN PCB ASSY, MFC9160	1	
1	LG3442001	1	MAIN PCB ASSY, MFC9180	1	
2	LG3490031	1	NCU PCB ASSY, MFC9180 FOR GER/CHE	1	
2	LG3490032	1	NCU PCB ASSY, MFC9180	1	
2	LG2810014	1	FOR FRA/BEL/NLD/IRE/AUS/SPA/ITA NCU PCB ASSY, MFC9180	1	
3	LG3491001	1	FOR UK/NOR/FIN/DEN/SWE/GNR NCU HARNESS, MFC9180		
4	LG3481001	1	LOW-VOLTAGE POWER SUPPLY PCB ASSY, MFC9160/MFC9180	1	
5	LG3195001	1	LOW-VOLTAGE POWER HARNESS		
6	LG3196001	1	HEATER HARNESS		
7	LG3197001	1	HIGH-VOLTAGE POWER SUPPLY PCB ASSY	1	
8	LG3198001	1	HIGH-VOLTAGE POWER FLAT CABLE		
9	LG3429001	1	BATTERY, MFC9180		



LIST11(Accessories)

REF.NO.	CODE	Q'TY	DESCRIPTION	RECOMMEND	REMARKS
1	UU2080008	1	PAPER SUPPORT, CLEAR PURPLE(6342)		
2	LE7385001	1	CD-ROM ASSY<GERMAN/ENGLISH/FRENCH>, MFC9160 FOR GER/UK/FRA/BEL/CHE/GNR		
2	LE7943001	1	CD-ROM ASSY<GERMAN/ENGLISH/FRENCH>, MFC9180 FOR GER/UK/FRA/BEL/CHE/IRE/AUS		
2	LE7806001	1	CD-ROM ASSY <ENGLISH/NORWEGIAN/DANISH/SWEDISH>, MFC9160 FOR NOR/DEN/SWE		
2	LE7722001	1	CD-ROM ASSY <ENGLISH/NORWEGIAN/DANISH/SWEDISH>, MFC9180 FOR NOR/FIN/DEN/SWE/GNR		
2	LE7812001	1	CD-ROM ASSY<DUTCH/FRENCH/ITALIAN/SPANISH>, MFC9160 FOR BEL/NLD/SPA/ITA		
2	LE7734001	1	CD-ROM ASSY<DUTCH/FRENCH/ITALIAN/SPANISH>, MFC9180 FOR BEL/NLD/SPA/ITA		
3	LG2085001	1	AC CORD ASSY, VDE FOR GER/FRA/NOR/BEL/NLD/FIN/AUS/SPA/ITA/SWE/GNR	1	
3	LG2086001	1	AC CORD ASSY, BS FOR UK/IRE	1	
3	LG2087001	1	AC CORD ASSY, SEV FOR CHE	1	
3	LG2181001	1	AC CORD ASSY, DEMKO FOR DEN	1	
4	UG3625001	1	TELEPHONE LINE CORD, MFC9180 FOR GER		
4	UG3626001	1	TELEPHONE LINE CORD, MFC9180 FOR UK		
4	UG3627001	1	TELEPHONE LINE CORD, MFC9180 FOR FRA		
4	UG3629001	1	TELEPHONE LINE CORD, MFC9180 FOR NOR		
4	UG1575001	1	TELEPHONE LINE CORD, MFC9180 FOR BEL		
4	LG3077001	1	TELEPHONE LINE CORD, MFC9180 FOR NLD/IRE/SPA/GNR		
4	UG3469000	1	TELEPHONE LINE CORD, MFC9180 FOR CHE		
4	UG3632001	1	TELEPHONE LINE CORD, MFC9180 FOR FIN		
4	UG3633001	1	TELEPHONE LINE CORD, MFC9180 FOR DEN		
4	UG4205001	1	TELEPHONE LINE CORD, MFC9180 FOR AUS		
4	UG3634001	1	TELEPHONE LINE CORD, MFC9180 FOR ITA		
4	UG3635001	1	TELEPHONE LINE CORD, MFC9180 FOR SWE		
5	LE7699001	1	FERRITE CORE BAG ASSY, MFC9160/MFC9180 <USB>		
6	LG3622001	1	TELEPHONE PLUG FOR NLD		
7	UG4558001	1	PARALLEL I/F CABLE, MFC9160/MFC918C FOR GER/UK/IRE/AUS/GNR		
(8)	UF8263001	1	TEST CHART TC-027		

LIST12(PRINTED MATERIAL)

REF.NO.	CODE	Q'TY	DESCRIPTION	RECOMMEND	REMARKS
(1)	LE7388001	1	OWNER'S MANUAL ASSY, MFC9160 FOR GER (INCLUDING OWNER'S MANUAL(REF.No.(1-1) LICENSE GUIDE, WARRANTY CARD)	1	
(1)	LE7358001	1	OWNER'S MANUAL ASSY, MFC9180 FOR GER (INCLUDING OWNER'S MANUAL(REF.No.(1-1) LICENSE GUIDE, WARRANTY CARD)	1	
(1)	LE7397001	1	OWNER'S MANUAL ASSY, MFC9160 FOR UK (INCLUDING OWNER'S MANUAL(REF.No.(1-1) LICENSE GUIDE, WARRANTY CARDS)	1	
(1)	LE7373001	1	OWNER'S MANUAL ASSY, MFC9180 FOR UK (INCLUDING OWNER'S MANUAL(REF.No.(1-1) LICENSE GUIDE, WARRANTY CARDS)	1	
(1)	LE7404001	1	OWNER'S MANUAL ASSY, MFC9160 FOR FRA (INCLUDING OWNER'S MANUAL(REF.No.(1-1) LICENSE GUIDE, WARRANTY CARDS)	1	
(1)	LE7379001	1	OWNER'S MANUAL ASSY, MFC9180 FOR FRA (INCLUDING OWNER'S MANUAL(REF.No.(1-1) LICENSE GUIDE, WARRANTY CARDS)	1	
(1)	LE7809001	1	OWNER'S MANUAL ASSY, MFC9160 FOR NOR (INCLUDING OWNER'S MANUAL(REF.No.(1-1) LICENSE GUIDE, WARRANTY CARD)	1	
(1)	LE7725001	1	OWNER'S MANUAL ASSY, MFC9180 FOR NOR (INCLUDING OWNER'S MANUAL(REF.No.(1-1) LICENSE GUIDE, WARRANTY CARD)	1	
(1)	LE7815001	1	OWNER'S MANUAL ASSY, MFC9160 FOR BEL (INCLUDING 2 OWNER'S MANUALS(REF.No.(1-1) LICENSE GUIDE, WARRANTY CARD)	1	
(1)	LE7728001	1	OWNER'S MANUAL ASSY, MFC9180 FOR BEL (INCLUDING 2 OWNER'S MANUALS(REF.No.(1-1) LICENSE GUIDE, WARRANTY CARD)	1	
(1)	LE7821001	1	OWNER'S MANUAL ASSY, MFC9160 FOR NLD (INCLUDING OWNER'S MANUAL(REF.No.(1-1) LICENSE GUIDE, WARRANTY CARD)	1	
(1)	LE7771001	1	OWNER'S MANUAL ASSY, MFC9180 FOR NLD (INCLUDING OWNER'S MANUAL(REF.No.(1-1) LICENSE GUIDE, WARRANTY CARD)	1	
(1)	LE7824001	1	OWNER'S MANUAL ASSY, MFC9160 FOR CHE (INCLUDING 2 OWNER'S MANUALS(REF.No.(1-1) LICENSE GUIDE, WARRANTY CARD)	1	
(1)	LE7737001	1	OWNER'S MANUAL ASSY, MFC9180 FOR CHE (INCLUDING 2 OWNER'S MANUALS(REF.No.(1-1) LICENSE GUIDE, WARRANTY CARD)	1	
(1)	LE7741001	1	OWNER'S MANUAL ASSY, MFC9180 FOR IRE (INCLUDING OWNER'S MANUAL(REF.No.(1-1) LICENSE GUIDE, WARRANTY CARD)	1	
(1)	LE7745001	1	OWNER'S MANUAL ASSY, MFC9180 FOR FIN (INCLUDING OWNER'S MANUAL(REF.No.(1-1) LICENSE GUIDE)	1	
(1)	LE7828001	1	OWNER'S MANUAL ASSY, MFC9160 FOR DEN (INCLUDING OWNER'S MANUAL(REF.No.(1-1) LICENSE GUIDE, WARRANTY CARD)	1	
(1)	LE7750001	1	OWNER'S MANUAL ASSY, MFC9180 FOR DEN (INCLUDING OWNER'S MANUAL(REF.No.(1-1) LICENSE GUIDE, WARRANTY CARD)	1	
(1)	LE7833001	1	OWNER'S MANUAL ASSY, MFC9160 FOR SPA (INCLUDING OWNER'S MANUAL(REF.No.(1-1) LICENSE GUIDE, WARRANTY CARDS)	1	
(1)	LE7756001	1	OWNER'S MANUAL ASSY, MFC9180 FOR SPA (INCLUDING OWNER'S MANUAL(REF.No.(1-1) LICENSE GUIDE, WARRANTY CARDS)	1	
(1)	LE7838001	1	OWNER'S MANUAL ASSY, MFC9160 FOR ITA (INCLUDING OWNER'S MANUAL(REF.No.(1-1) LICENSE GUIDE, WARRANTY CARD)	1	
(1)	LE7761001	1	OWNER'S MANUAL ASSY, MFC9180 FOR ITA (INCLUDING OWNER'S MANUAL(REF.No.(1-1) LICENSE GUIDE, WARRANTY CARD)	1	
(1)	LE7843001	1	OWNER'S MANUAL ASSY, MFC9160 FOR SWE (INCLUDING OWNER'S MANUAL(REF.No.(1-1) LICENSE GUIDE, WARRANTY CARDS)	1	

LIST12(PRINTED MATERIAL)

REF.NO.	CODE	Q'TY	DESCRIPTION	RECOMMEND	REMARKS
(1)	LE7766001	1	OWNER'S MANUAL ASSY, MFC9180 FOR SWE (INCLUDING OWNER'S MANUAL(REF.No.(1-1) LICENSE GUIDE, WARRANTY CARDS)	1	
(1)	LE8205001	1	OWNER'S MANUAL ASSY, MFC9160 FOR GNR (INCLUDING OWNER'S MANUAL(REF.No.(1-1) LICENSE GUIDE, WARRANTY CARD)	1	
(1)	LE7769001	1	OWNER'S MANUAL ASSY, MFC9180 FOR GNR (INCLUDING OWNER'S MANUAL(REF.No.(1-1) LICENSE GUIDE)	1	
(1-1)	LE7389001	1	OWNER'S MANUAL, MFC9160 FOR GER		
(1-1)	LE7359001	1	OWNER'S MANUAL, MFC9180 FOR GER		
(1-1)	LE7398004	1	OWNER'S MANUAL, MFC9160 FOR UK/GNR		
(1-1)	LE7374004	1	OWNER'S MANUAL, MFC9180 FOR UK/IRE/GNR		
(1-1)	LE7398005	1	OWNER'S MANUAL, MFC9160 FOR FRA		
(1-1)	LE7374005	1	OWNER'S MANUAL, MFC9180 FOR FRA		
(1-1)	LE7398007	1	OWNER'S MANUAL, MFC9160 FOR NOR		
(1-1)	LE7374007	1	OWNER'S MANUAL, MFC9180 FOR NOR		
(1-1)	LE7398008	1	OWNER'S MANUAL, MFC9160 FOR BEL <DUTCH>		
(1-1)	LE7816008	1	OWNER'S MANUAL, MFC9160 FOR BEL/CHE<FRENCH>		
(1-1)	LE7374008	1	OWNER'S MANUAL, MFC9180 FOR BEL <DUTCH>		
(1-1)	LE7729008	1	OWNER'S MANUAL, MFC9180 FOR BEL/CHE<FRENCH>		
(1-1)	LE7398010	1	OWNER'S MANUAL, MFC9160 FOR CHE <GERMAN>		
(1-1)	LE7374010	1	OWNER'S MANUAL, MFC9180 FOR CHE <GERMAN>		
(1-1)	LE7398009	1	OWNER'S MANUAL, MFC9160 FOR NLD		
(1-1)	LE7374009	1	OWNER'S MANUAL, MFC9180 FOR NLD		
(1-1)	LE7374012	1	OWNER'S MANUAL, MFC9180 FOR FIN		
(1-1)	LE7398013	1	OWNER'S MANUAL, MFC9160 FOR DEN		
(1-1)	LE7374013	1	OWNER'S MANUAL, MFC9180 FOR DEN		
(1-1)	LE7398015	1	OWNER'S MANUAL, MFC9160 FOR SPA		
(1-1)	LE7374015	1	OWNER'S MANUAL, MFC9180 FOR SPA		
(1-1)	LE7398016	1	OWNER'S MANUAL, MFC9160 FOR ITA		
(1-1)	LE7374016	1	OWNER'S MANUAL, MFC9180 FOR ITA		
(1-1)	LE7398026	1	OWNER'S MANUAL, MFC9160 FOR SWE		
(1-1)	LE7374026	1	OWNER'S MANUAL, MFC9180 FOR SWE		

LIST13(PACKING)

REF.NO.	CODE	Q'TY	DESCRIPTION	RECOMMEND	REMARKS
(1)	LE7390001	1	CARTON, BROTHER, MFC9160	1	
(1)	LE7360001	1	CARTON, BROTHER, MFC9180	1	
(2)	LE1986001	1	STYROFOAM ASSY		
(3)	LJ0763001	1	BAG, 1000X1000H		
(4)	LE7467001	1	PE SHEET, 306X450 (FOR SCANNER GLASS)		
(5)	LE7012001	1	CARTON FOR MANUAL, MFC9160/MFC9180		
(6)	LE7391001	1	START CARD, MFC9160 FOR GER/AUS		
(6)	LE7362001	1	START CARD, MFC9180 FOR GER		
(6)	LE7399001	1	START CARD, MFC9160 FOR UK		
(6)	LE7376001	1	START CARD, MFC9180 FOR UK/IRE		
(6)	LE7406001	1	START CARD, MFC9160 FOR FRA		
(6)	LE7381001	1	START CARD, MFC9180 FOR FRA		
(6)	LE7811001	1	START CARD, MFC9160 FOR NOR		
(6)	LE7727001	1	START CARD, MFC9180 FOR NOR		
(6)	LE7818001	1	START CARD, MFC9160 FOR BEL <DUTCH>		
(6)	LE7847001	1	START CARD, MFC9160 FOR BEL/CHE <FRENCH>		
(6)	LE7731001	1	START CARD, MFC9180 FOR BEL <DUTCH>		
(6)	LE7740001	1	START CARD, MFC9180 FOR BEL/CHE <FRENCH>		
(6)	LE7823001	1	START CARD, MFC9160 FOR NLD		
(6)	LE7773001	1	START CARD, MFC9180 FOR NLD		
(6)	LE7846001	1	START CARD, MFC9160 FOR CHE <GERMAN>		
(6)	LE7739001	1	START CARD, MFC9180 FOR CHE <GERMAN>		
(6)	LE7747001	1	START CARD, MFC9180 FOR FIN		
(6)	LE7830001	1	START CARD, MFC9160 FOR DEN		
(6)	LE7752001	1	START CARD, MFC9160 FOR DEN		
(6)	LE7835001	1	START CARD, MFC9160 FOR SPA		
(6)	LE7758001	1	START CARD, MFC9180 FOR SPA		
(6)	LE7840001	1	START CARD, MFC9160 FOR ITA		
(6)	LE7763001	1	START CARD, MFC9180 FOR ITA		
(6)	LE7845001	1	START CARD, MFC9160 FOR SWE		
(6)	LE7768001	1	START CARD, MFC9180 FOR SWE		
(6)	LE8208001	1	START CARD, MFC9160 FOR GNR		
(6)	LE7634001	1	START CARD, MFC9180 FOR GNR		
(7)	UL7932001	1	BAG 400X480 (FOR TONER/DRUM)		
(8)	LE7714001	1	PE SHEET, 280X500 (FOR DOCUMENT TRAY)		
(9)	UU0456001	1	PROTECTION PAPER (FOR ADF)		