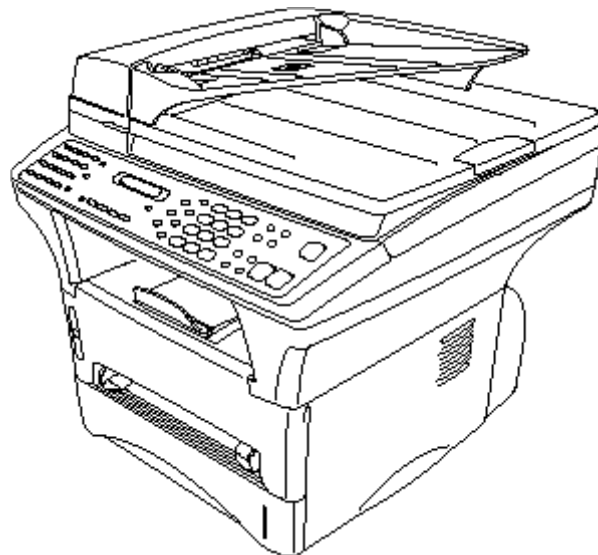




**MULTI-FUNCTION CENTER  
PARTS REFERENCE LIST**

**MODEL: MFC9750 / MFC9850 / MFC9870**  
(For Germany / United Kingdom /  
France / Norway / Belgium /  
Netherlands / Switzerland / Ireland /  
Denmark / Austria / Spain / Italy /  
Sweden)



© Copyright Brother 1999

All rights reserved

No part of this publication may be reproduced in any form or by any means without permission in writing from the publisher.

Specifications are subject to change without prior notice.

## NOTES FOR USING THIS PARTS REFERENCE LIST

1. In the case of ordering parts, it needs mentioning the following items:

- (1) Code
- (2) Q' ty
- (3) Description

Note: No orders without Parts Code or Tool No. can be accepted.

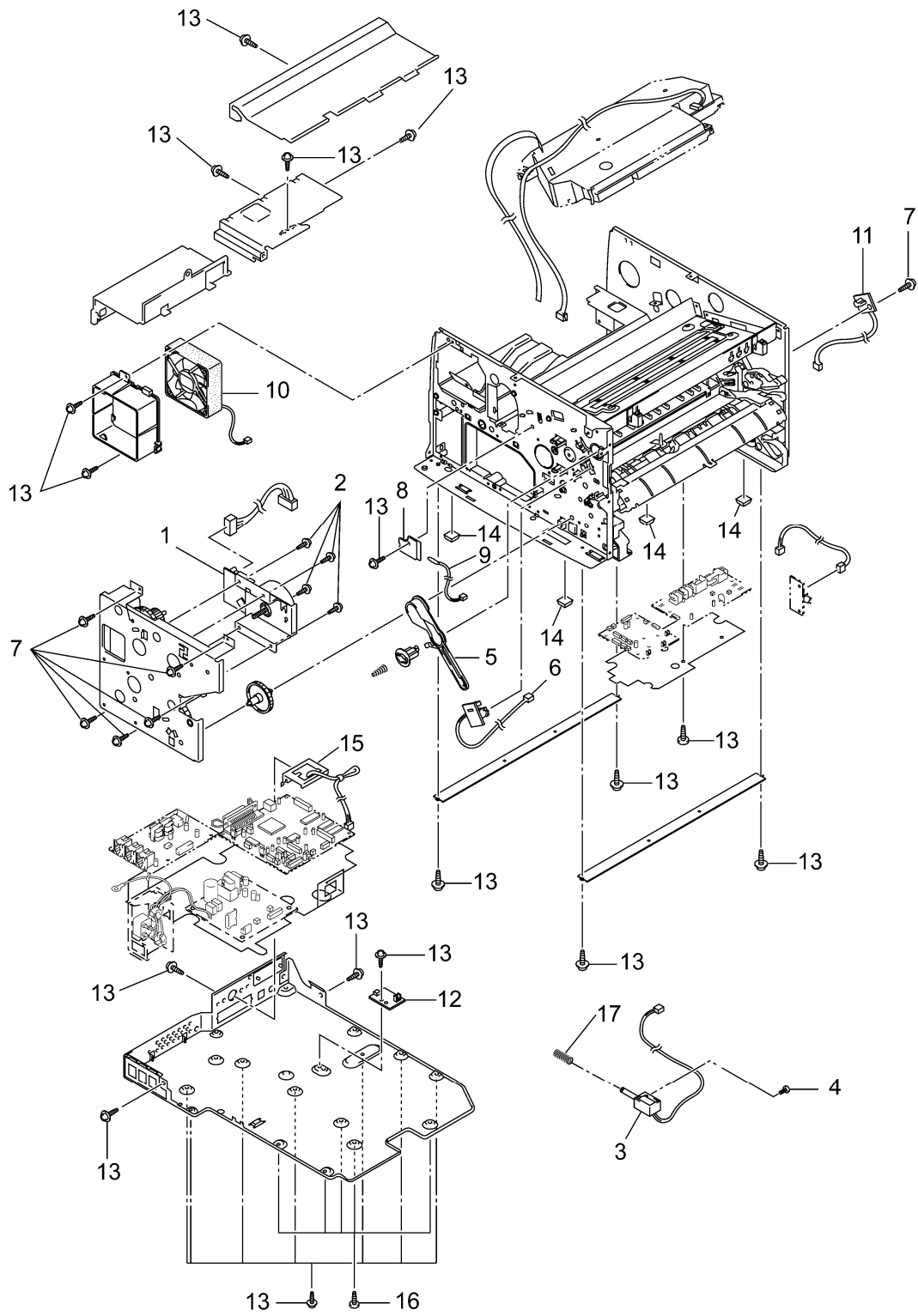
[Example]

REF.NO.	(1) CODE	(2) Q' TY	(3) DESCRIPTION	REMARKS

2. Parts change will be informed by the technical information.

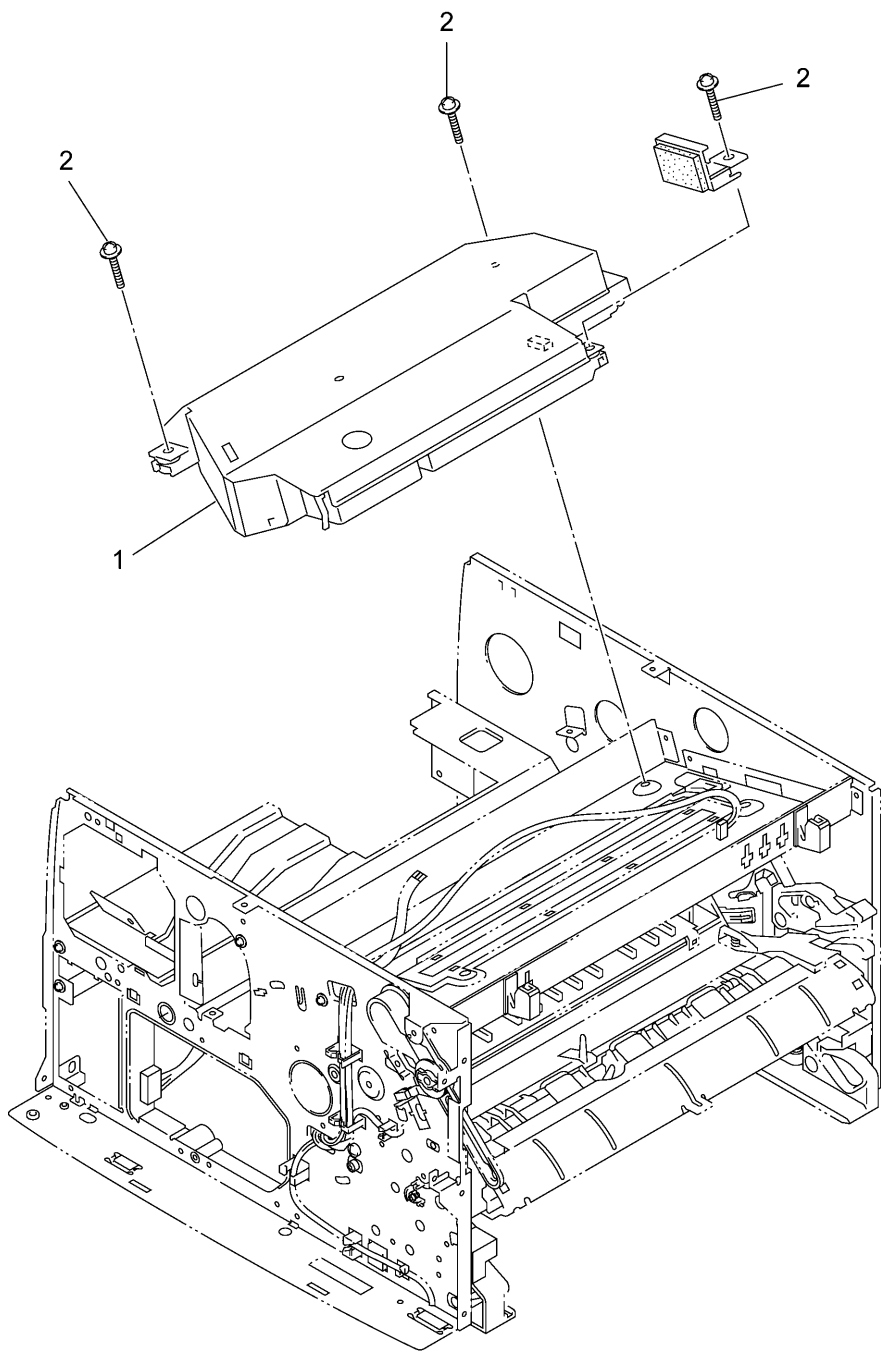
## COUNTRIES

Germany ----- GER  
United Kingdom ----- UK  
France ----- FRA  
Norway ----- NOR  
Belgium ----- BEL  
Netherlands ----- NLD  
Switzerland ----- CHE  
Ireland ----- IRE  
Denmark ----- DEN  
Austria ----- AUS  
Spain ----- SPA  
Italy ----- ITA  
Sweden ----- SWE



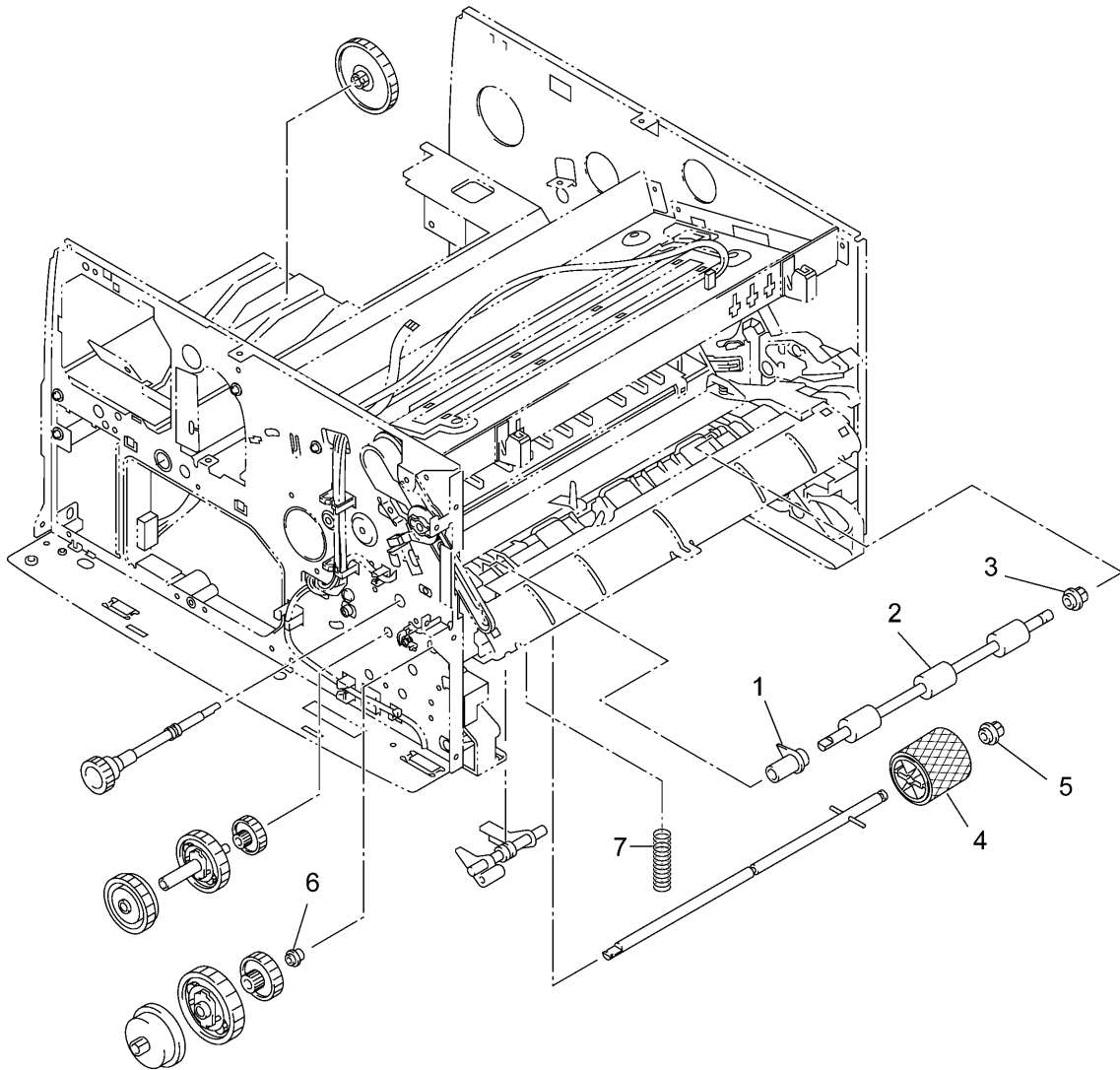
## List1(MAIN FRAME)

REF.NO.	CODE	Q'TY	DESCRIPTION	REMARKS
1	UL9311001	1	MAIN MOTOR ASSY	
2	087320616	4	TAPTITE, CUP S M3X6	
3	LJ4069001	1	SOLENOID	
4	000300415	1	SCREW, BIND M3X4	
5	UL8984001	1	FRONT COVER LINK	
6	UL9099001	1	TONER SENSOR (LED) PCB	
7	087320616	6	TAPTITE, CUP S M3X6	
8	LE1166001	1	THERMISTOR FILM	
9	LG2423001	1	IN CASING TEMPERATURE THERMISTOR	
10	LJ4745001	1	FAN	
11	UL9104001	1	TONER SENSOR (RECEIVER) PCB	
12	LG2438001	1	PAPER EJECTION SENSOR PCB	
13	087320616	22	TAPTITE, CUP S M3X6	
14	UL8507001	4	RUBBER FOOT	
15	LJ8031001	1	2ND CASSETTE RELAY PCB	
16	085411215	5	TAPTITE, BIND B M4X12	
17	UL8970001	1	SOLENOID RELEASE SPRING	



List2(LASER UNIT)

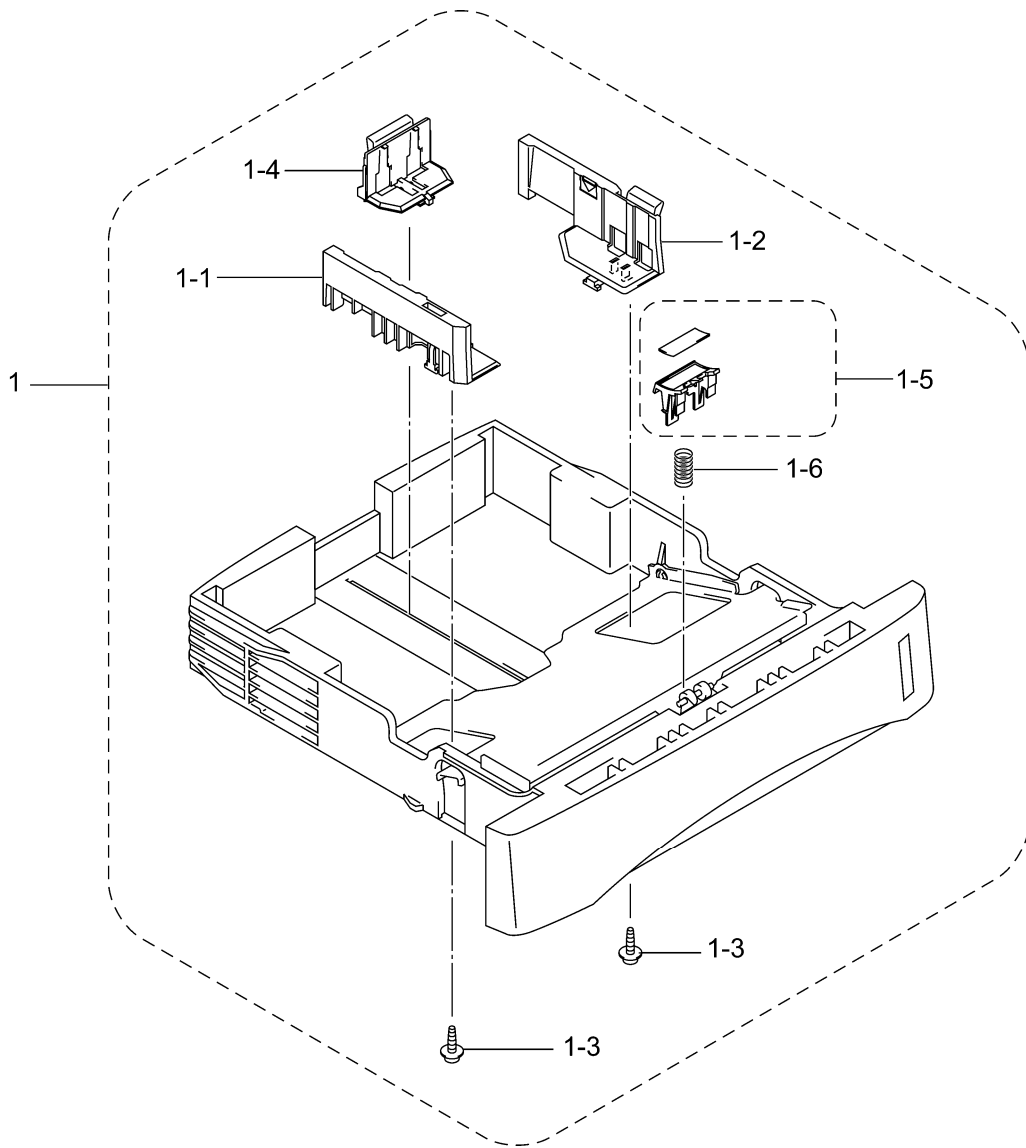
REF.NO.	CODE	Q'TY	DESCRIPTION	REMARKS
1	LJ4157001	1	LASER UNIT SUPPLY ASSY	
2	087321615	3	TAPTITE, CUP S M3X16	





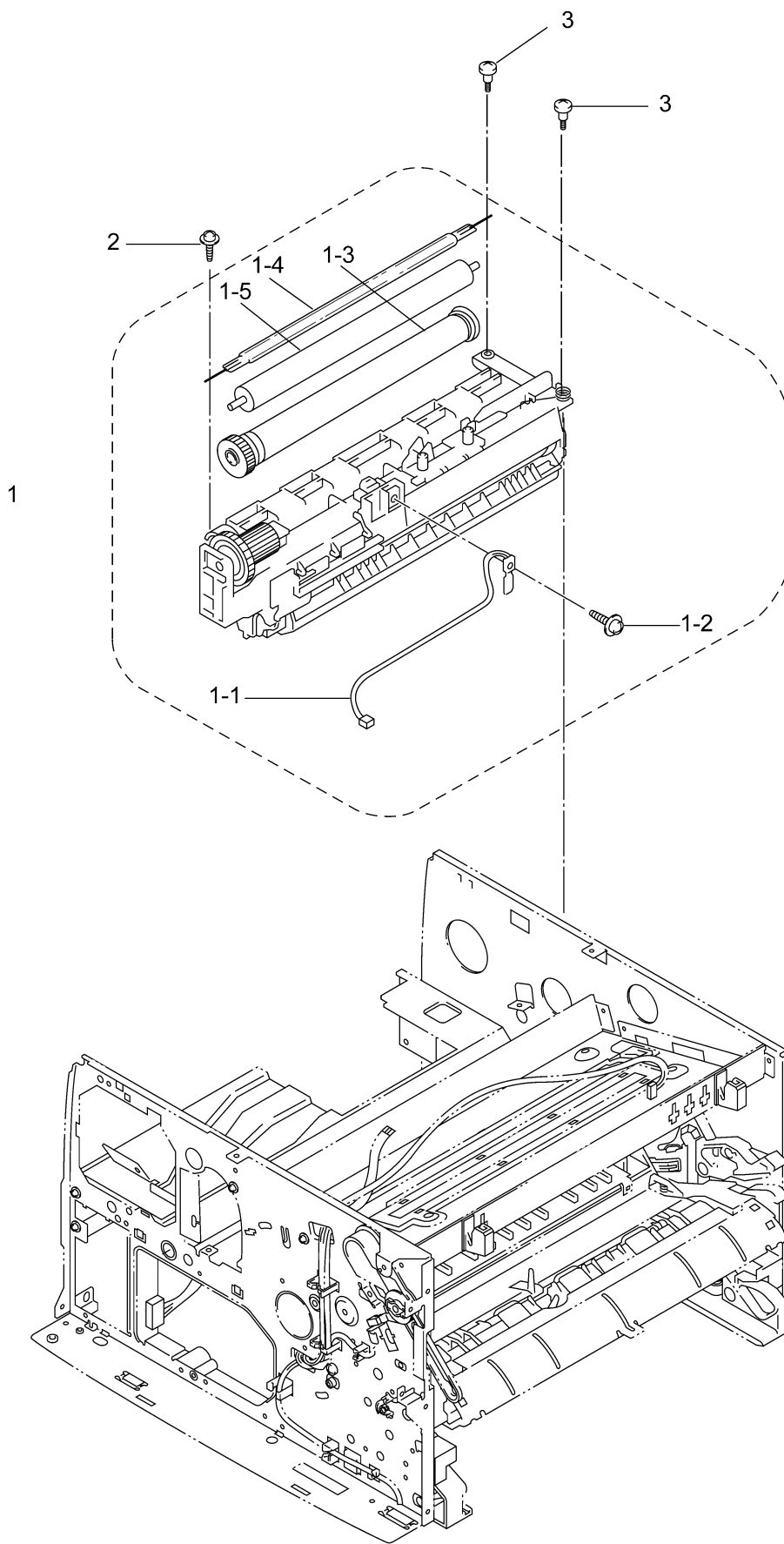
## List3(PAPER TRANSPORT)

REF.NO.	CODE	Q'TY	DESCRIPTION	REMARKS
1	UL9059001	1	JOINT	
2	UL9060001	1	PAPER FEED ROLLER ASSY	
3	UL9062001	1	PAWLED BUSHING	
4	UL9066001	1	PAPER PICKUP ROLLER	
5	UL9062001	1	PAWLED BUSHING	
6	UL9069001	1	CONDUCTIVE BUSHING	
7	LJ4499001	1	ELECTRODE SPRING	
(8)	LJ4843001	1	OUTER CHUTE 1 SUPPLY ASSY	



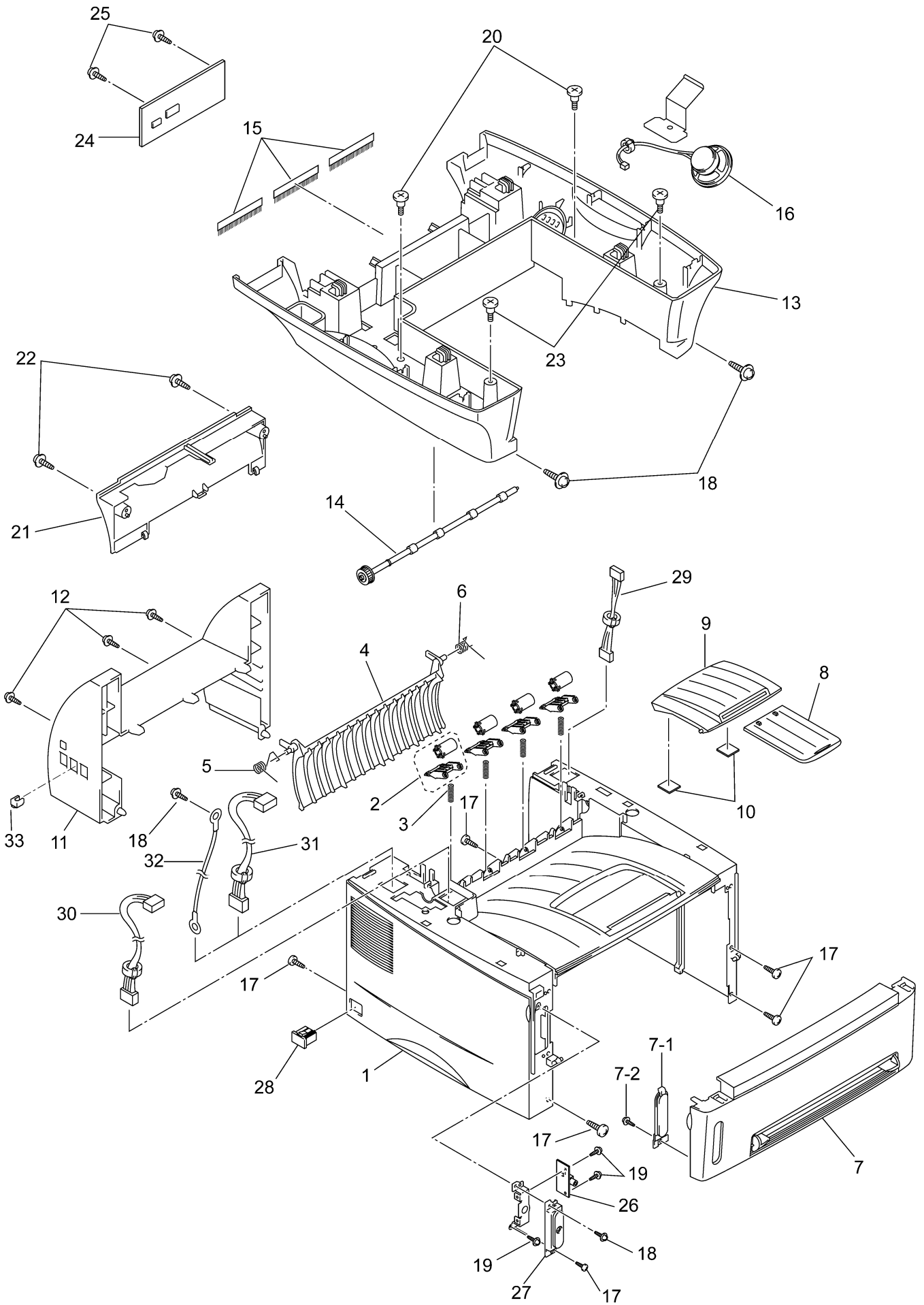
List4(PAPER CASSETTE)

REF.NO.	CODE	Q'TY	DESCRIPTION	REMARKS
1	LJ4181001	1	PAPER CASSETTE, A4 SUPPLY ASSY	
1-1	UL9078001	1	SIDE GUIDE L	
1-2	UL9079001	1	SIDE GUIDE R	
1-3	U73515001	2	SCREW, PAN CUP B M2.6X5	
1-4	UL9083001	1	PAPER REAR GUIDE	
1-5	UL9084001	1	SEPARATION PAD SUPPORT ASSY	
1-6	UL9090001	1	SEPARATION PAD SPRING	



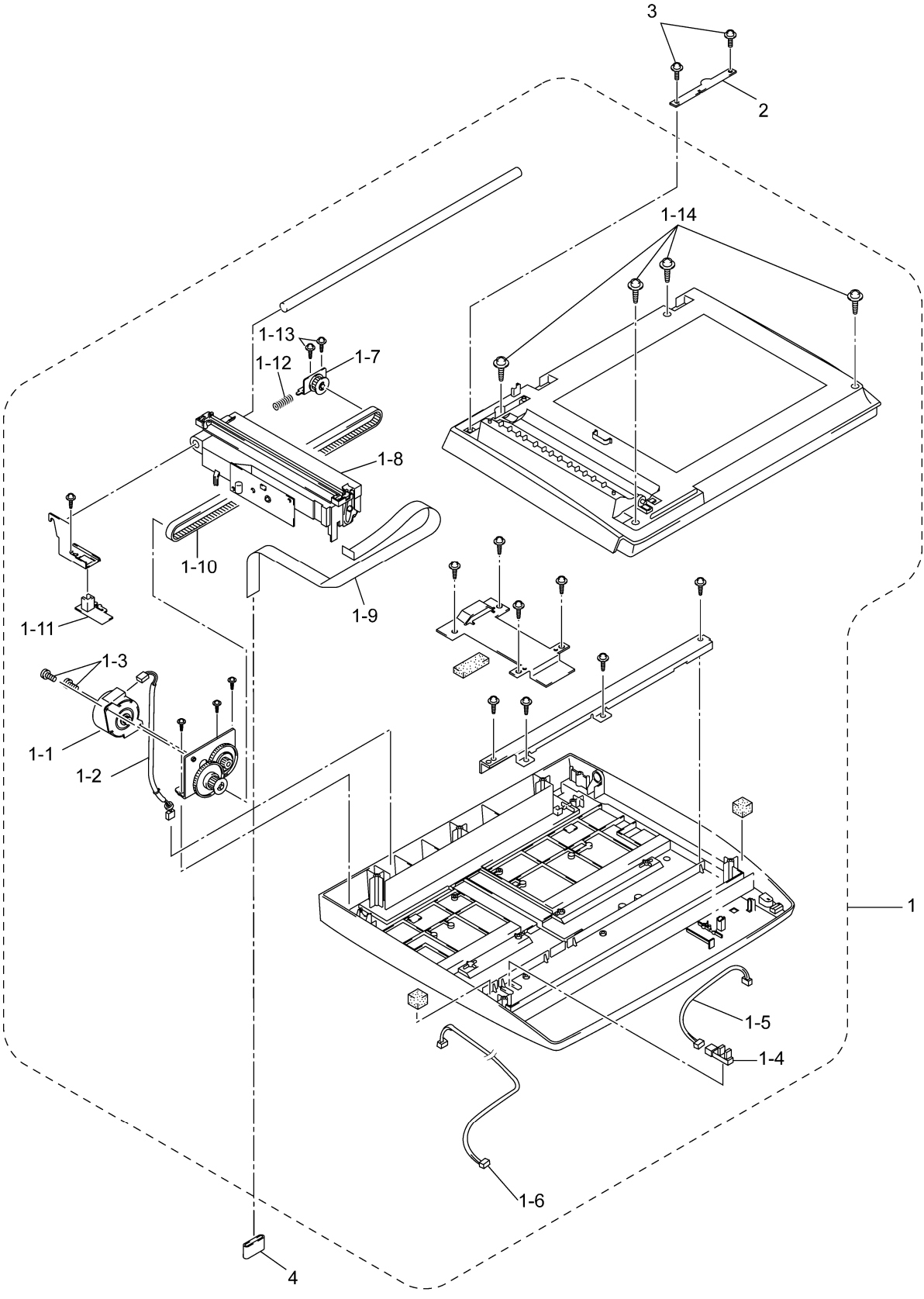
List5(HEAT FIXING UNIT)

REF.NO.	CODE	Q'TY	DESCRIPTION	REMARKS
1	LJ4168001	1	HEAT FIXING UNIT, 230V SUPPLY ASSY	
1-1	UL8902001	1	THERMISTOR ASSY	
1-2	087311215	1	TAPTITE, CUP B M3X12	
1-3	LJ4169001	1	HEAT ROLLER SUPPLY ASSY	
1-4	LJ4163001	1	FUSER LAMP, 230V SUPPLY ASSY	
1-5	UL8918001	1	PRESSURE ROLLER	
2	087320815	1	TAPTITE, CUP S M3X8	
3	LJ4740001	2	SHOULDER SCREW	



## List6(COVER)

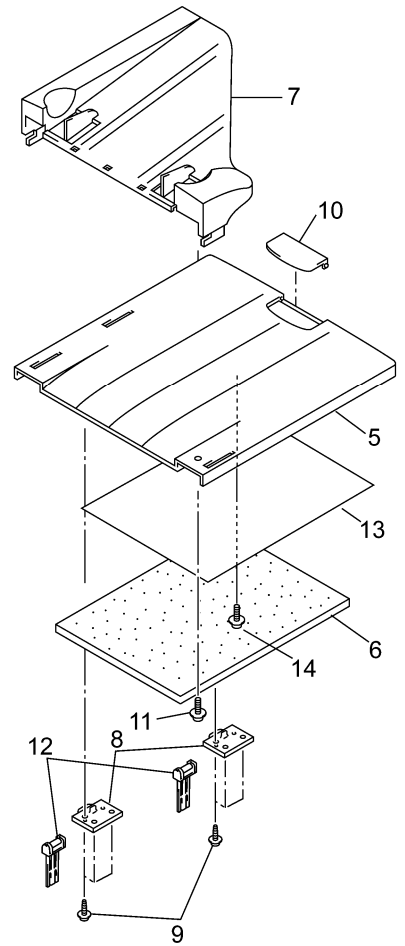
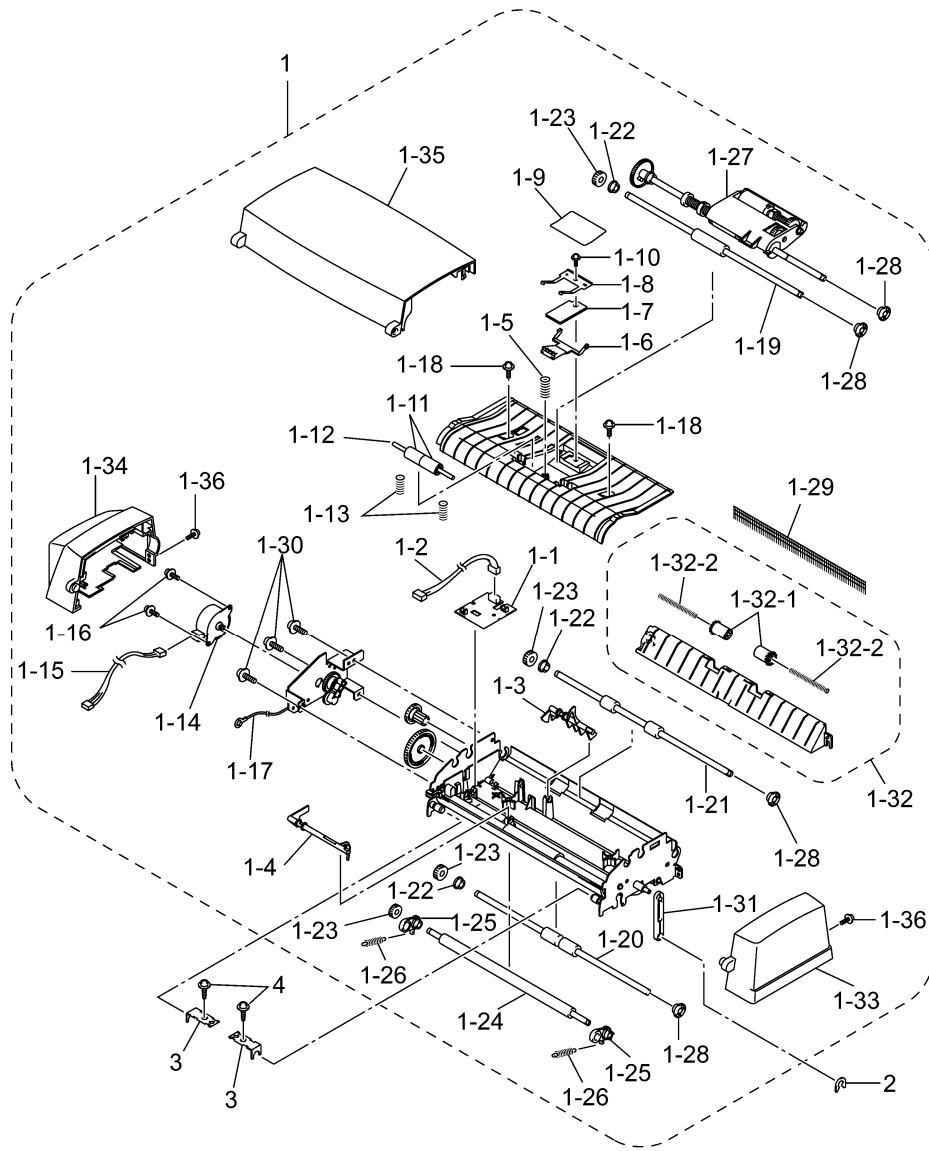
REF.NO.	CODE	Q'TY	DESCRIPTION	REMARKS
1	LJ4122001	1	MAIN COVER ASSY, WHITE(1495)	
2	UL9122001	4	PINCH ROLLER ASSY	
3	UL9125001	4	PINCH ROLLER SPRING	
4	UL9126001	1	OUTER CHUTE, WHITE(1495)	
5	UL9127001	1	CHUTE SPRING L	
6	UL9128001	1	CHUTE SPRING R	
7	UU2102001	1	FRONT COVER ASSY, WHITE(1495)	
7-1	UU2094001	1	FRONT SUB COVER, WHITE(1495)	
7-2	087310815	1	TAPTITE, CUP B M3X8	
8	LE1197001	1	PAPER SUB TRAY, WHITE(1495)	
9	LE1198001	1	PAPER SUB TRAY COVER, WHITE(1495)	
10	LE1291001	2	TRAY COVER ADHESIVE TAPE	
11	UU2002001	1	REAR COVER, WHITE(1495)	
12	0A5401006	3	SCREW, PAN (S/P WASHER) M4X10	
13	LE1200001	1	SCANNER MOUNT, WHITE(1495)	
14	UL9142001	1	EXIT ROLLER ASSY	
15	LJ4125001	1	ANTI-STATIC BRUSH ZL	
16	LG2425001	1	SPEAKER UNIT	
17	085320816	6	TAPTITE, BIND S M3X8	
18	087321015	4	TAPTITE, CUP S M3X10	
19	---		NOT USE	
20	UF9823001	2	SHOULDER SCREW	
21	LE1202001	1	UPPER REAR COVER	
22	087411216	2	TAPTITE, CUP B M4X12	
23	LE1368001	2	SHOULDER SCREW BIND B M4X8	
24	LE1523001	1	RELAY PCB SUPPLY ASSY	
25	087311016	2	TAPTITE, CUP B M3X10	
26	---		NOT USE	
27	---		NOT USE	
28	---		NOT USE	
29	LG2221001	1	MAIN-RELAY(PANEL) HARNESS	
30	LG2499001	1	MAIN-RELAY(CCD) HARNESS	
31	LG2223001	1	MAIN-RELAY(MOTORS) HARNESS	
32	LG2418001	1	CHASIS GROUNDING WIRE, MFC9850/9870	
33	UF5745000	1	MJ COVER, EXT, MFC9850/9870 FOR GER/UK/FRA/BEL/NLD/DEN/AUT/ITA/SWE	





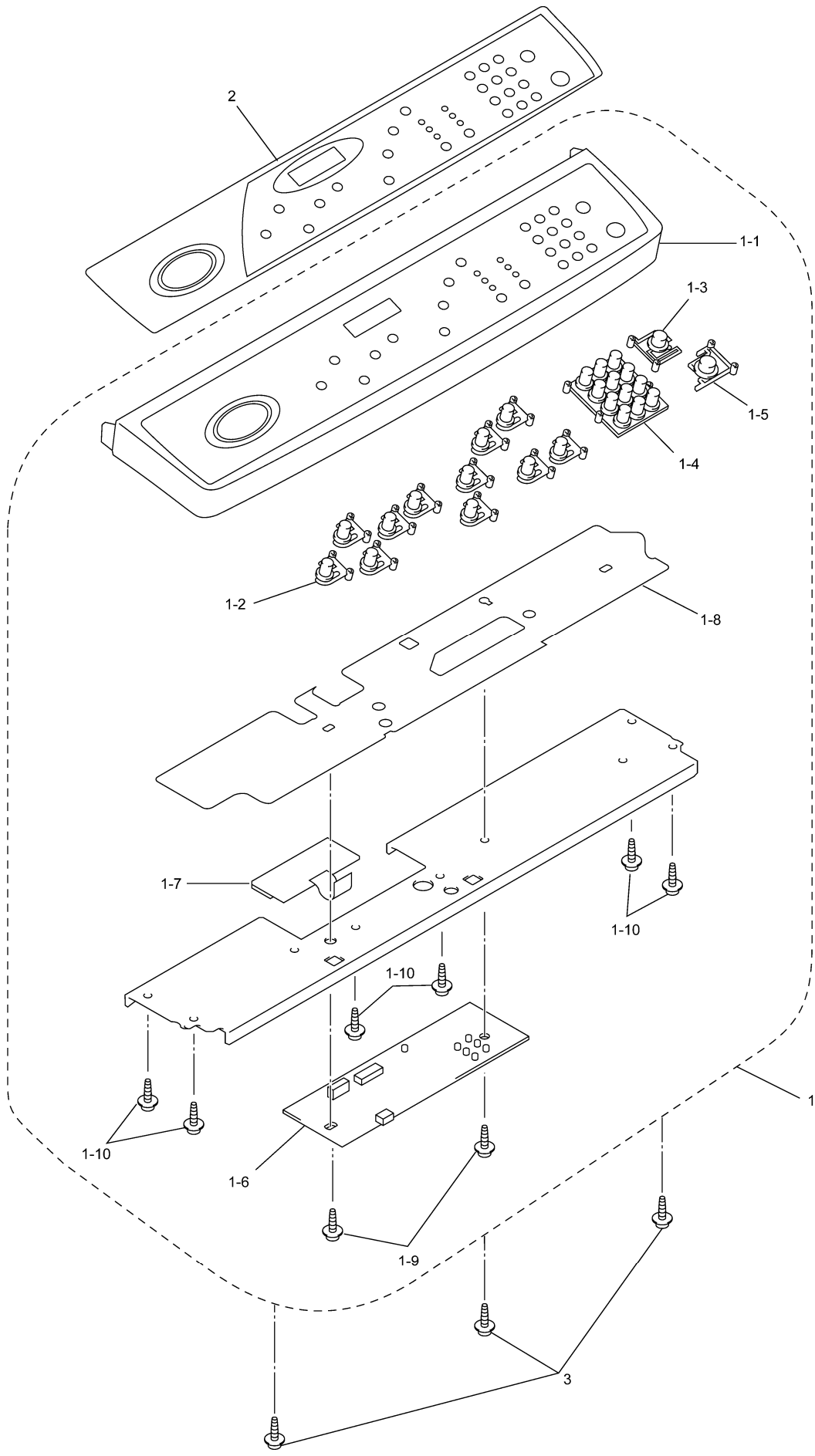
## List7(SCANNER UNIT)

REF.NO.	CODE	Q'TY	DESCRIPTION	REMARKS
1	LE1524001	1	SCANNER UNIT SUPPLY ASSY	
1-1	UU7490001	1	CCD MOTOR	
1-2	LG2017001	1	CCD MOTOR HARNESS	
1-3	0A4300605	2	SCREW, PAN (S/P WASHER) M3X6	
1-4	LG2239001	1	CCD HP SENSOR	
1-5	LG2019001	1	CCD HP SENSOR HARNESS	
1-6	LG2025001	1	PANEL-MAIN HARNESS	
1-7	LE2074001	1	CCD IDLE PULLEY HOLDER ASSY	
1-8	LE1552001	1	CCD UNIT SUPPLY ASSY	
1-9	LG2196001	1	CCD FLAT CABLE	
1-10	LE2297001	1	CCD DRIVE BELT	
1-11	LE2082001	1	CCD LOCK	
1-12	LE2079001	1	COMPRESSION SPRING	
1-13	LE2805001	2	TAPTITE, PAN B M3X10	
1-14	087411216	4	TAPTITE, CUP B M4X12	
2	LE2092001	1	HARNESS SUPPORT	
3	087310816	2	TAPTITE, CUP B M3X8	
4	LG2020001	1	FLAT CORE (CCD)	



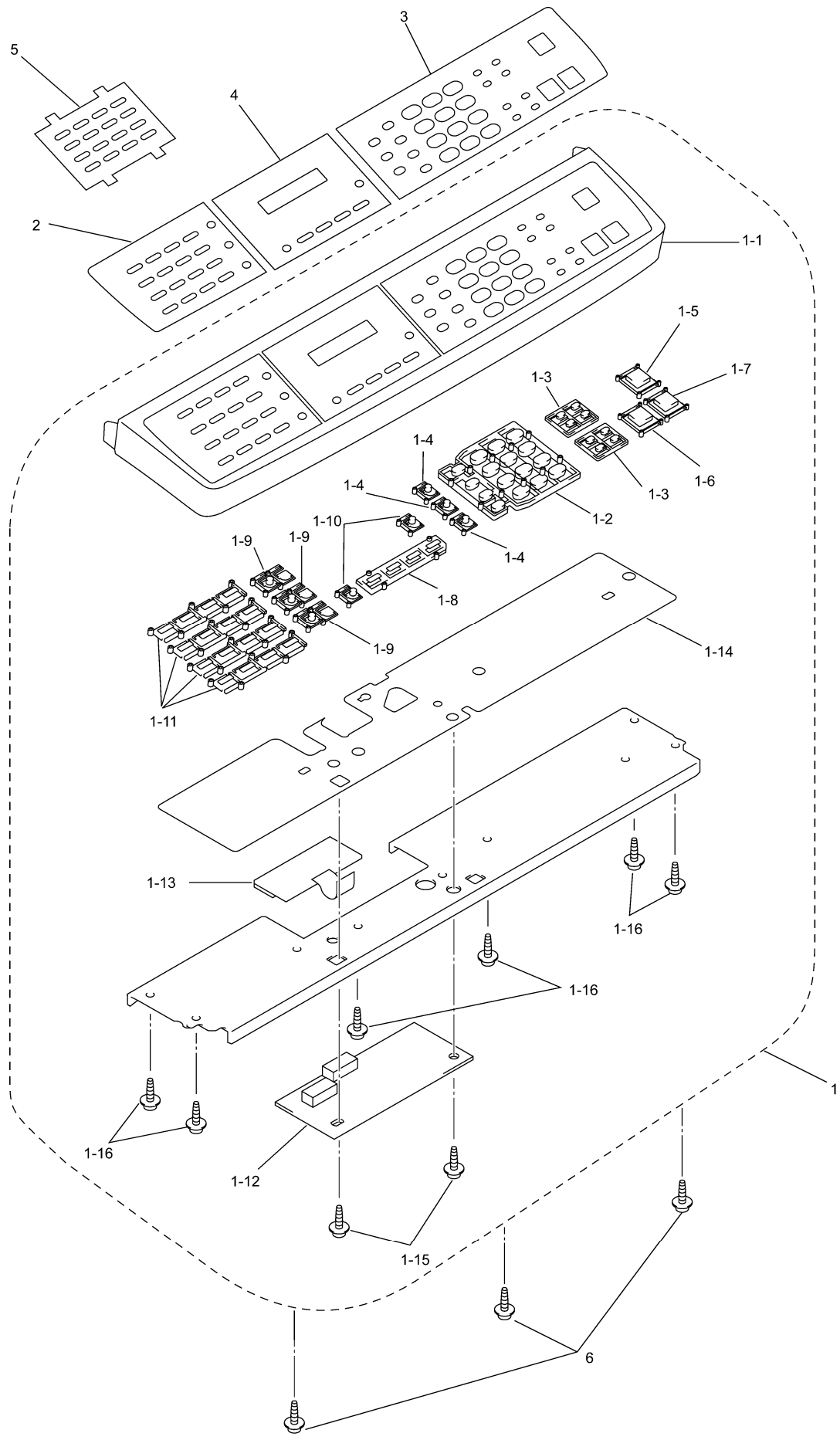
## List8(ADF&amp;TRAY)

REF.NO.	CODE	Q'TY	DESCRIPTION	REMARKS
1	LE1525001	1	ADF UNIT SUPPLY ASSY	
1-1	UG6609001	1	DOCUMENT SENSOR PCB	
1-2	LG2014001	1	DOCUMENT SENSOR HARNESS	
1-3	UF7026001	1	DOCUMENT FRONT SENSOR ACTUATOR	
1-4	LE2008001	1	DOCUMENT REAR SENSOR ACTUATOR	
1-5	LE2011001	1	COMPRESSION SPRING	
1-6	LE2551001	1	RUBBER HOLDER A	
1-7	UU2055001	1	SEPARATION RUBBER	
1-8	LE1513001	1	SPRING PLATE A ASSY	
1-9	LE2470001	1	ADF FILM	
1-10	UF6116001	1	TAPTITE, PAN B M3X6	
1-11	UF9009001	2	PRESSURE ROLLER	
1-12	LE2471001	1	PRESSURE ROLLER SHAFT	
1-13	LE2472001	2	PRESSURE ROLLER SPRING	
1-14	LE1215001	1	ADF MOTOR	
1-15	LG2201001	1	ADF MOTOR HARNESS	
1-16	0A4300605	2	SCREW, PAN (S/P WASHER) M3X6	
1-17	LG2016001	1	GROUNDING WIRE	
1-18	087310815	2	TAPTITE, CUP B M3X8	
1-19	LE2026001	1	UPPER LF ROLLER (GRAY)	
1-20	LE2029001	1	LOWER LF ROLLER (BLACK)	
1-21	LE2028001	1	DOCUMENT EJECTION ROLLER	
1-22	UF8105001	3	CONDUCTIVE BUSHING	
1-23	UU7039001	4	LF ROLLER GEAR 27	
1-24	LE2030001	1	WHITE ROLLER	
1-25	LE2032001	2	WHITE ROLLER BUSHING	
1-26	LE2033001	2	EXTENSION SPRING	
1-27	LE2919001	1	DOCUMENT FEED ROLLER HOLDER ASSY	
(1-27-1)	LE2037001	2	DOCUMENT FEED ROLLER (RUBBER)	
1-28	UU1290001	4	CONDUCTIVE BUSHING	
1-29	UU7505001	1	ANTI-STATIC BRUSH	
1-30	087320616	3	TAPTITE, CUP S M3X6	
1-31	UF0208001	1	ADF ARM	
1-32	LE2048001	1	DOCUMENT EJECTION CHUTE ASSY	
1-32-1	LE2582001	2	PINCH ROLLER	
1-32-2	UU2009001	2	PINCH ROLLER SPRING	
1-33	LE2050001	1	ADF SIDE COVER F, WHITE(1495)	
1-34	LE2051001	1	ADF SIDE COVER R, WHITE(1495)	
1-35	LE2534001	1	ADF COVER ASSY, WHITE(1495)	
1-36	087320816	2	TAPTITE, CUP S M3X8	
2	UF8088001	1	PLASTIC RETAINING RING	
3	LE2053001	2	ADF SUPPORT	
4	087310816	2	TAPTITE, CUP B M3X8	
5	LE2056001	1	DOCUMENT TRAY, WHITE(1495)	
6	LE2487001	1	DOCUMENT SPONGE	
7	LE2059001	1	DOCUMENT CHUTE, WHITE(1495)	
8	LE2567001	2	HINGE A	
9	087311015	6	TAPTITE, CUP B M3X10	
10	LE2777001	1	DOCUMENT SUPPORT, WHITE(1495)	
11	087320816	1	TAPTITE, CUP S M3X8	
12	LE2568001	2	HINGE HOLDER A	
13	LE1568001	1	DOCUMENT TRAY REINFORCEMENT PLATE	
14	UF6116001	1	TAPTITE, PAN B M3X6	



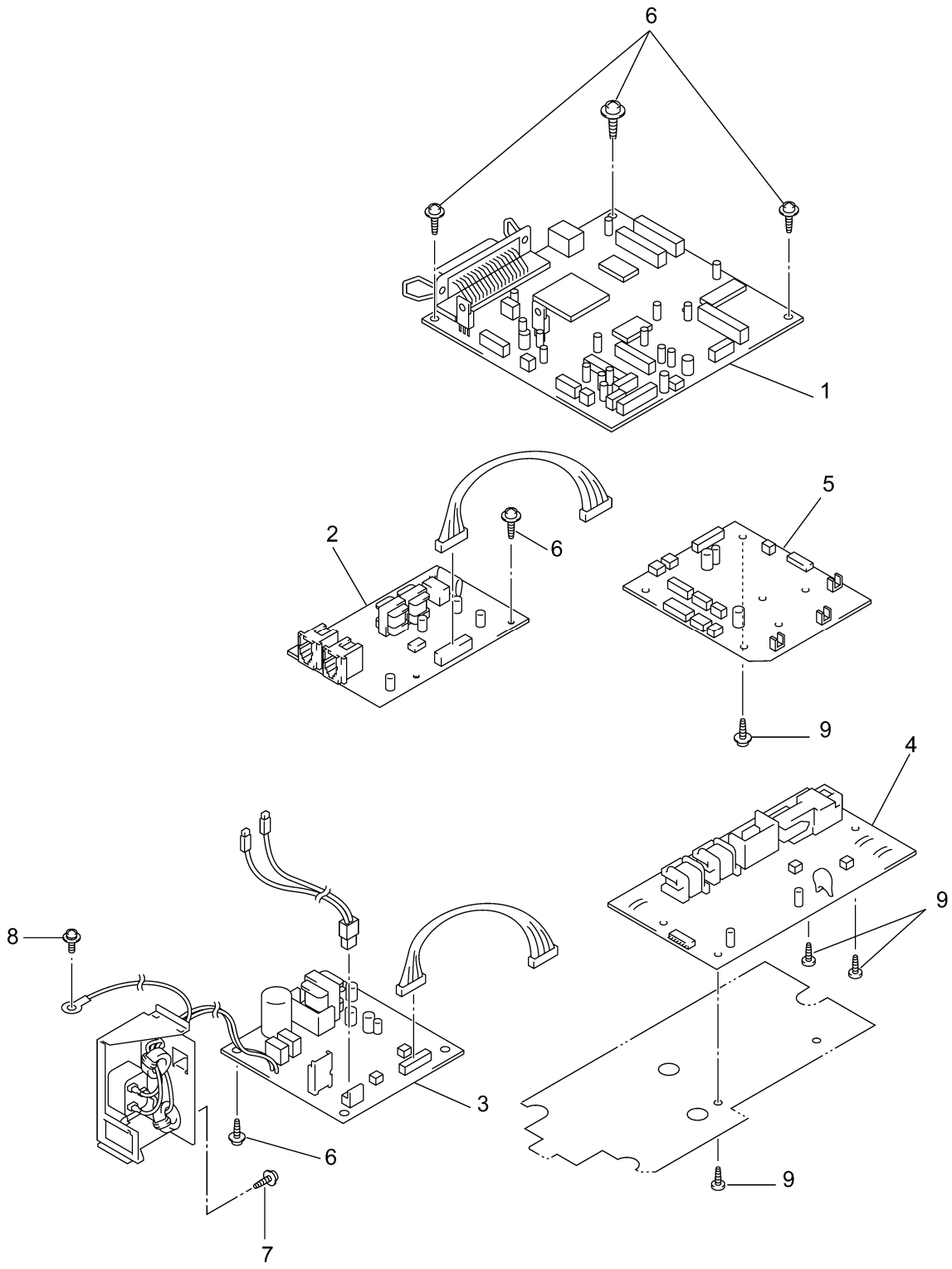
List9(CONTROL PANEL MFC9750)

REF.NO.	CODE	Q'TY	DESCRIPTION	REMARKS
1	LE1686001	1	CONTROL PANEL SUPPLY ASSY	
1-1	LE1336001	1	CONTROL PANEL, WHITE(1495)	
1-2	LJ4283001	8	KEY, FUNCTION, WHITE(1496)	
1-3	LJ4231002	1	KEY, STOP, PINK(2205)	
1-4	LJ4284001	1	KEY, TEN, WHITE(1495)	
1-5	LJ4285001	1	KEY, START, GREEN(5159)	
1-6	LE1577001	1	CONTROL PANEL PCB SUPPLY ASSY	
1-7	UG4552000	1	LCD	
1-8	LE1556001	1	FPC KEY SUPPLY ASSY	
1-9	087270815	2	TAPTITE, CUP B M2.6X8	
1-10	087310615	6	TAPTITE, CUP B M3X6	
2	LE1483001	1	PANEL SHEET, MFC9750 FOR GER	
2	LE1490001	1	PANEL SHEET, MFC9750 FOR UK/BEL/NLD/CHE	
2	LE1493001	1	PANEL SHEET, MFC9750 FOR FRA	
2	LE1494001	1	PANEL SHEET, MFC9750 FOR NOR	
2	LE1501001	1	PANEL SHEET, MFC9750 FOR SPA	
2	LE1499001	1	PANEL SHEET, MFC9750 FOR ITA	
2	LE1503001	1	PANEL SHEET, MFC9750 FOR SWE	
3	087310615	3	TAPTITE, CUP B M3X6	



## List9(C PANEL MFC9850 9870)

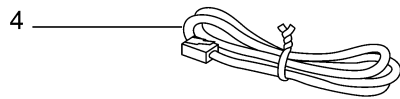
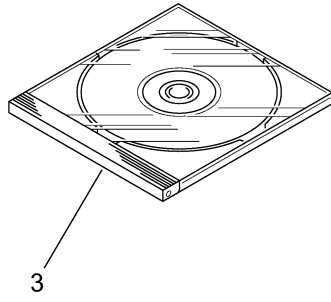
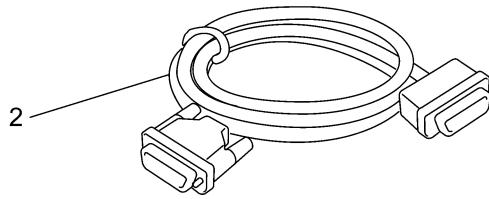
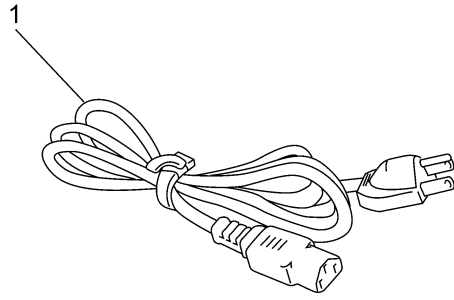
REF.NO.	CODE	Q'TY	DESCRIPTION	REMARKS
1	LE1611001	1	CONTROL PANEL SUPPLY ASSY, WHITE(1495)	
1-1	LE2273001	1	CONTROL PANEL, WHITE(1495)	
1-2	UF4393007	1	KEY, TEN, WHITE(1495)	
1-3	LE2274001	2	KEY, COPY/FAX AREA, WHITE(1495)	
1-4	LE1340001	3	KEY, SCANNER, WHITE(1495)	
1-5	UF8174008	1	KEY, COPY, WHITE(1495)	
1-6	UF8174010	1	KEY, STOP, PINK(2205)	
1-7	UF8174011	1	KEY, START, PURPLE(6255)	
1-8	UF8176009	1	KEY, FUNCTION4, GRAY(1509)	
1-9	UF4576008	3	KEY, SHIFT, WHITE(1495)	
1-10	UF4576010	2	KEY, SHIFT, GRAY(1509)	
1-11	UF9118006	4	KEY, ONE TOUCH, WHITE(1495)	
1-12	LG2138001	1	CONTROL PANEL PCB ASSY	
1-13	UG4552000	1	LCD	
1-14	LG2190001	1	FPC KEY ASSY	
1-15	087270815	2	TAPTITE, CUP B M2.6X8	
1-16	087310615	6	TAPTITE, CUP B M3X6	
2	LE2508001	1	PANEL SHEET-1, MFC9850/9870 FOR GER/AUS	
2	LE2514001	1	PANEL SHEET-1, MFC9850/9870 FOR FRA	
2	LE2277001	1	PANEL SHEET-1, MFC9870 FOR UK/BEL/NLD/CHE/IRE	
2	LE2811001	1	PANEL SHEET-1, MFC9870 FOR NOR	
2	LE2814001	1	PANEL SHEET-1, MFC9870 FOR DEN	
2	LE2817001	1	PANEL SHEET-1, MFC9870 FOR SPA	
2	LE2820001	1	PANEL SHEET-1, MFC9870 FOR ITA	
2	LE2823001	1	PANEL SHEET-1, MFC9870 FOR SWE	
3	LE1391001	1	PANEL SHEET-2, MFC9850/9870 FOR GER/AUS	
3	LE1404001	1	PANEL SHEET-2, MFC9850/9870 FOR FRA	
3	LE1401001	1	PANEL SHEET-2, MFC9870 FOR UK/BEL/NLD/CHE/IRE	
3	LE1421001	1	PANEL SHEET-2, MFC9870 FOR NOR	
3	LE1428001	1	PANEL SHEET-2, MFC9870 FOR DEN	
3	LE1432001	1	PANEL SHEET-2, MFC9870 FOR SPA	
3	LE1436001	1	PANEL SHEET-2, MFC9870 FOR ITA	
3	LE1439001	1	PANEL SHEET-2, MFC9870 FOR SWE	
4	LE1558001	1	LCD SHEET MFC9850 FOR GER	
4	LE1587001	1	LCD SHEET MFC9850 FOR FRA	
4	LE1392001	1	LCD SHEET MFC9870 FOR GER/AUS	
4	LE1402001	1	LCD SHEET MFC9870 FOR UK/BEL/NLD/CHE/IRE	
4	LE1405001	1	LCD SHEET MFC9870 FOR FRA	
4	LE1422001	1	LCD SHEET MFC9870 FOR NOR	
4	LE1429001	1	LCD SHEET MFC9870 FOR DEN	
4	LE1433001	1	LCD SHEET MFC9870 FOR SPA	
4	LE1437001	1	LCD SHEET MFC9870 FOR ITA	
4	LE1440001	1	LCD SHEET MFC9870 FOR SWE	
5	LE1341001	1	ADDRESS LABEL	
6	087310816	3	TAPTITE, CUP B M3xX8	





List10(PCB ASSY)

REF.NO.	CODE	Q'TY	DESCRIPTION	REMARKS
1	LE1627011	1	MAIN PCB SUPPLY ASSY, MFC9870	
1	LE1627012	1	MAIN PCB SUPPLY ASSY, MFC9850	
1	LE1628001	1	MAIN PCB SUPPLY ASSY, MFC9750	
2	LG2295001	1	NCU PCB ASSY, MFC9850/9870	
3	LJ4175001	1	LOW VOLTAGE POWER SUPPLY PCB, 230V	
4	LE1364001	1	HIGH VOLTAGE POWER SUPPLY PCB, SUPPLY ASSY	
5	LE1365001	1	ENGINE PCB SUPPLY ASSY	
6	087320616	5	TAPTITE, CUP S M3X6	
7	084320815	1	SCREW, FLAT S M3X8	
8	0A5350606	1	SCREW, PAN (WASHER) M3.5X6	
9	085411215	4	TAPTITE, BIND B M4X12	



## List11(Accessories)

REF.NO.	CODE	Q'TY	DESCRIPTION	REMARKS
1	LG2358001	1	AC CORD, MFC9750 FOR GER/FRA/NOR/BEL/NLD/SPA/ITA/SWE MFC9870 FOR NOR/BEL/NLD/AUS/SPA/ITA/SWE	
1	LG2085001	1	AC CORD, MFC9850/9870 FOR GER/FRA	
1	LG2359001	1	AC CORD, MFC9750 FOR UK, MFC9870 FOR IRE	
1	LG2086001	1	AC CORD, MFC9870 FOR UK	
1	LG2360001	1	AC CORD, MFC9750 FOR CHE	
1	LG2361001	1	AC CORD, MFC9870 FOR DEN	
2	UG4558001	1	INTERFACE CABLE MFC9750 FOR GER/UK, MFC9850 FOR UK, MFC9870 FOR GER/UK/IRE/AUS	
3	LE1348001	1	CD-ROM ASSY, MFC9750/9850	
3	LE1393001	1	CD-ROM ASSY, MFC9870	
4	UG3625001	1	TELEPHONE LINE CORD, MFC9850/9870 FOR GER	
4	UG3627001	1	TELEPHONE LINE CORD, MFC9850/9870 FOR FRA	
4	UG3626001	1	TELEPHONE LINE CORD, MFC9870 FOR UK	
4	UG3631001	1	TELEPHONE LINE CORD, MFC9870 FOR NLD	
4	UG3469000	1	TELEPHONE LINE CORD, MFC9870 FOR CHE	
4	UG3565001	1	TELEPHONE LINE CORD, MFC9870 FOR IRE/SPA	
4	UG3633001	1	TELEPHONE LINE CORD, MFC9870 FOR DEN	
4	UG4205001	1	TELEPHONE LINE CORD, MFC9870 FOR AUS	
4	UG3634001	1	TELEPHONE LINE CORD, MFC9870 FOR ITA	
4	UG3635001	1	TELEPHONE LINE CORD, MFC9870 FOR SWE	

## List12(PRINTED MATERIAL)

REF.NO.	CODE	Q'TY	DESCRIPTION	REMARKS
(1)	LE1487001	1	OWNER'S MANUAL ASSY, MFC9750 FOR GER (INCLUDING OWNER'S MANUAL(1-1), WARRANTY CARD)	
(1)	LE1491001	1	OWNER'S MANUAL ASSY, MFC9750 FOR UK (INCLUDING OWNER'S MANUALS(1-1), 3 WARRANTY CARDS)	
(1)	LE1492001	1	OWNER'S MANUAL ASSY, MFC9750 FOR FRA (INCLUDING OWNER'S MANUAL(1-1), 2 WARRANTY CARDS)	
(1)	LE1495001	1	OWNER'S MANUAL ASSY, FAX9750 FOR NOR (INCLUDING OWNER'S MANUAL(1-1), 2 WARRANTY CARDS)	
(1)	LE1496001	1	OWNER'S MANUAL ASSY, FAX9750 FOR BEL (INCLUDING 2 OWNER'S MANUALS(1-1), WARRANTY CARD)	
(1)	LE1497001	1	OWNER'S MANUAL ASSY, FAX9750 FOR NLD (INCLUDING OWNER'S MANUAL(1-1), WARRANTY CARD)	
(1)	LE1498001	1	OWNER'S MANUAL ASSY, FAX9750 FOR CHE (INCLUDING 2 OWNER'S MANUALS(1-1), WARRANTY CARD)	
(1)	LE1502001	1	OWNER'S MANUAL ASSY, FAX9750 FOR SPA (INCLUDING OWNER'S MANUAL(1-1), 2 WARRANTY CARDS)	
(1)	LE1500001	1	OWNER'S MANUAL ASSY, FAX9750 FOR ITA (INCLUDING OWNER'S MANUAL(1-1), WARRANTY CARD)	
(1)	LE1504001	1	OWNER'S MANUAL ASSY, FAX9750 FOR SWE (INCLUDING OWNER'S MANUAL(1-1), 2 WARRANTY CARDS)	
(1)	LE1721001	1	OWNER'S MANUAL ASSY, FAX9750 FOR DEN (INCLUDING OWNER'S MANUAL(1-1), 2 WARRANTY CARDS)	
(1)	LE1583001	1	OWNER'S MANUAL ASSY, FAX9850 FOR GER (INCLUDING OWNER'S MANUAL(1-1), WARRANTY CARD)	
(1)	LE1588001	1	OWNER'S MANUAL ASSY, FAX9850 FOR FRA (INCLUDING OWNER'S MANUAL(1-1), 2 WARRANTY CARDS)	
(1)	LE1396001	1	OWNER'S MANUAL ASSY, FAX9870 FOR GER (INCLUDING OPERATION MANUAL(1-1), MFL MANUAL(1-2), WARRANTY CARD)	
(1)	LE1399001	1	OWNER'S MANUAL ASSY, FAX9870 FOR UK (INCLUDING OPERATION MANUAL(1-1), MFL MANUAL(1-2), 3 WARRANTY CARDS)	
(1)	LE1406001	1	OWNER'S MANUAL ASSY, FAX9870 FOR FRA (INCLUDING OPERATION MANUAL(1-1), MFL MANUAL(1-2), WARRANTY CARD)	
(1)	LE1423001	1	OWNER'S MANUAL ASSY, FAX9870 FOR NOR (INCLUDING OPERATION MANUAL(1-1), MFL MANUAL(1-2), 2 WARRANTY CARDS)	
(1)	LE1424001	1	OWNER'S MANUAL ASSY, FAX9870 FOR BEL (INCLUDING 2 OPERATION MANUALS(1-1), MFL MANUAL(1-2), WARRANTY CARD)	
(1)	LE1426001	1	OWNER'S MANUAL ASSY, FAX9870 FOR NLD (INCLUDING OPERATION MANUAL(1-1), MFL MANUAL(1-2), WARRANTY CARD)	
(1)	LE1408001	1	OWNER'S MANUAL ASSY, FAX9870 FOR CHE (INCLUDING 2 OPERATION MANUALS(1-1), MFL MANUAL(1-2), WARRANTY CARD)	
(1)	LE1427001	1	OWNER'S MANUAL ASSY, FAX9870 FOR IRE (INCLUDING OPERATION MANUAL(1-1), MFL MANUAL(1-2), WARRANTY CARD)	
(1)	LE1430001	1	OWNER'S MANUAL ASSY, FAX9870 FOR DEN (INCLUDING OPERATION MANUAL(1-1), MFL MANUAL(1-2), WARRANTY CARD)	
(1)	LE1684001	1	OWNER'S MANUAL ASSY, FAX9870 FOR AUS (INCLUDING OPERATION MANUAL(1-1), MFL MANUAL(1-2), WARRANTY CARD)	
(1)	LE1434001	1	OWNER'S MANUAL ASSY, FAX9870 FOR SPA (INCLUDING OPERATION MANUAL(1-1), MFL MANUAL(1-2), 2 WARRANTY CARDS)	
(1)	LE1438001	1	OWNER'S MANUAL ASSY, FAX9870 FOR ITA (INCLUDING OPERATION MANUAL(1-1), MFL MANUAL(1-2), WARRANTY CARD)	

List12(PRINTED MATERIAL)

REF.NO.	CODE	Q'TY	DESCRIPTION	REMARKS
(1)	LE1441001	1	OWNER'S MANUAL ASSY, FAX9870 FOR SWE (INCLUDING OPERATION MANUAL(1-1), MFL MANUAL(1-2), 2 WARRANTY CARDS)	
(1-1)	LE1488003	1	OWNER'S MANUAL, MFC9750 FOR GER	
(1-1)	LE1488004	1	OWNER'S MANUAL, MFC9750 FOR UK	
(1-1)	LE1488005	1	OWNER'S MANUAL, MFC9750 FOR FRA	
(1-1)	LE1488007	1	OWNER'S MANUAL, MFC9750 FOR NOR	
(1-1)	LE1488008	1	OWNER'S MANUAL, MFC9750 FOR BEL/CHE <FRENCH>	
(1-1)	LE1488009	1	OWNER'S MANUAL, MFC9750 FOR BEL/NLD <DUTCH>	
(1-1)	LE1488010	1	OWNER'S MANUAL, MFC9750 FOR CHE <GERMAN>	
(1-1)	LE1488013	1	OWNER'S MANUAL, MFC9750 FOR DEN	
(1-1)	LE1488015	1	OWNER'S MANUAL, MFC9750 FOR SPA	
(1-1)	LE1488016	1	OWNER'S MANUAL, MFC9750 FOR ITA	
(1-1)	LE1488026	1	OWNER'S MANUAL, MFC9750 FOR SWE	
(1-1)	LE1584001	1	OWNER'S MANUAL, MFC9850 FOR GER	
(1-1)	LE1397005	1	OWNER'S MANUAL, MFC9850/9870 FOR FRA	
(1-1)	LE1397003	1	OPERATION MANUAL, MFC9870 FOR GER/AUS	
(1-1)	LE1397004	1	OPERATION MANUAL, MFC9870 FOR UK/IRE	
(1-1)	LE1397007	1	OPERATION MANUAL, MFC9870 FOR NOR	
(1-1)	LE1397008	1	OPERATION MANUAL, MFC9870 FOR BEL/CHE <FRENCH>	
(1-1)	LE1397009	1	OPERATION MANUAL, MFC9870 FOR BEL/NLD <DUTCH>	
(1-1)	LE1397010	1	OPERATION MANUAL, MFC9870 FOR CHE <GERMAN>	
(1-1)	LE1397013	1	OPERATION MANUAL, MFC9870 FOR DEN	
(1-1)	LE1397015	1	OPERATION MANUAL, MFC9870 FOR SPA	
(1-1)	LE1397016	1	OPERATION MANUAL, MFC9870 FOR ITA	
(1-1)	LE1397026	1	OPERATION MANUAL, MFC9870 FOR SWE	
(1-2)	LE1398001	1	MFL MANUAL, MFC9870 FOR GER/UK/FRA/BEL/NLD/CHE/IRE/AUS	
(1-2)	LE1398007	1	MFL MANUAL, MFC9870 FOR NOR/DEN/SPA/ITA/SWE	

List13(CARTON)

REF.NO.	CODE	Q'TY	DESCRIPTION	REMARKS
(1)	LE1480001	1	CARTON, BROTHER MFC9750	
(1)	LE1585001	1	CARTON, BROTHER MFC9850	
(1)	LE1387001	1	CARTON, BROTHER MFC9870	
(2)	LE1232001	1	STYROFOAM ASSY	
(3)	UE1688001	1	POLY-ETHYLENE BAG FOR MACHINE, 1000X1000 EXCEPT FOR FRA	
(3)	UE1688002	1	POLY-ETHYLENE BAG FOR MACHINE, 1000X1000 FOR FRA	
(4)	UE3122001	1	CARTON FOR MANUAL	
(5)	LJ4546001	1	BAG FOR DRUM/TONER, 400X480	

**brother**®