

brother[®]

**COLOR INKJET PRINTER
PARTS REFERENCE LIST**

MODEL:MP-21C/21CDX

MECHANISMS & ELECTRONICS

NOTE FOR USING THIS PARTS REFERENCE LIST

1. In the case of ordering parts, it needs mentioning the following items:

- (1) Code
- (2) Q'ty
- (3) Description
- (4) Symbol (PCB No., Revision , and Parts location mounted on the PCB.)

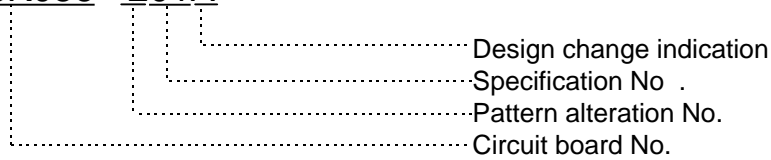
Note : No orders without Parts Code or Tool No. can be accepted.

< Example >

REF.NO.	CODE	Q'TY	DESCRIPTION	SYMBOL	REMARK

Revision No.: marked on the printed circuit board.

B48K056 - 201A



2. Design-changed parts :

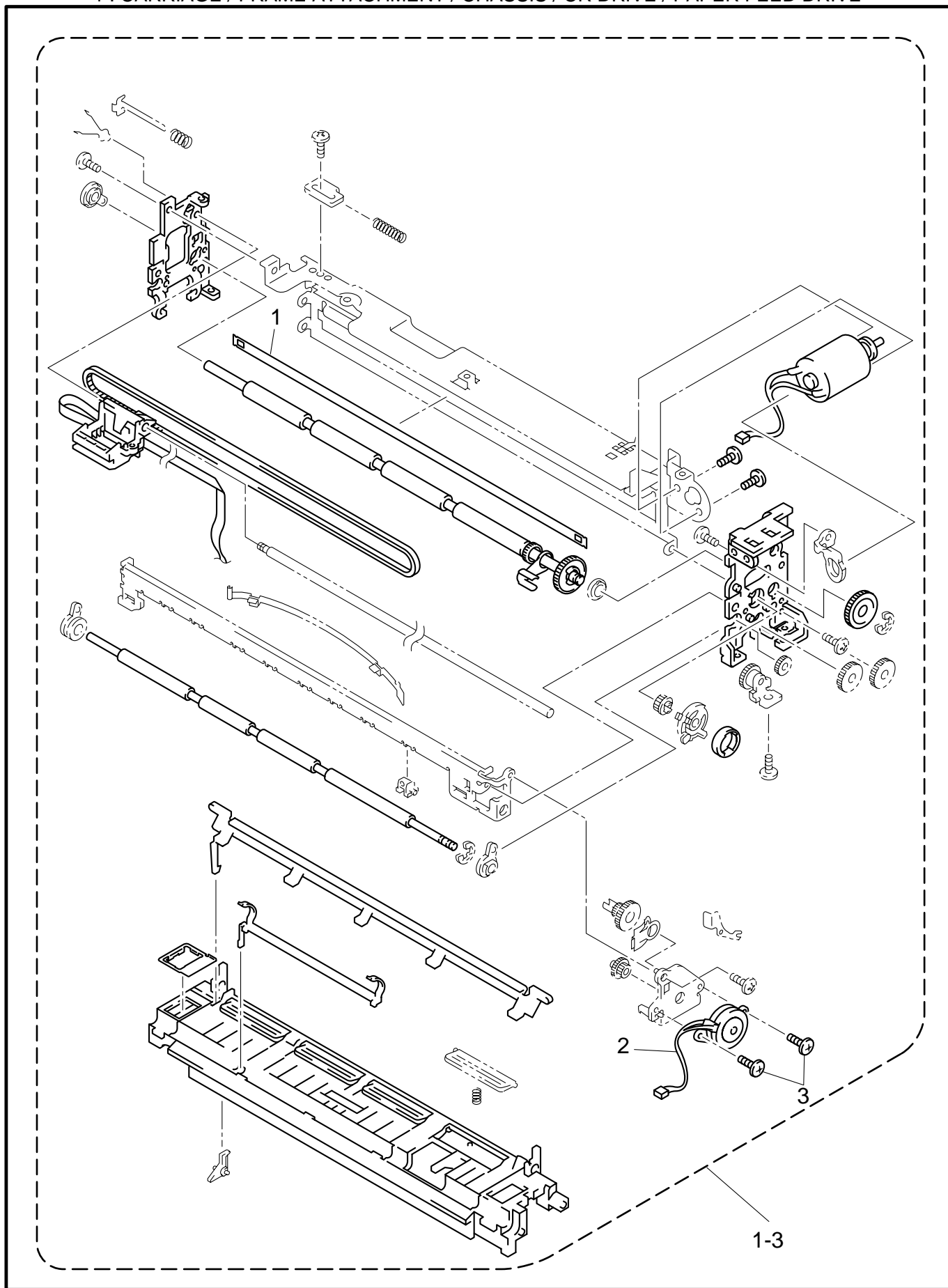
If the parts are changed, any one of the following symbols is indicated in the REMARKS column.

- #A : compatible between old and new
- #B : replaceable from old to new
- #D : incompatible
- # : newly established

3. The original of this list was made based on the information available in November, 1997.

4. Parts are subject to change in design without prior notice.

1. CARRIAGE / FRAME ATTACHMENT / CHASSIS / CR DRIVE / PAPER FEED DRIVE



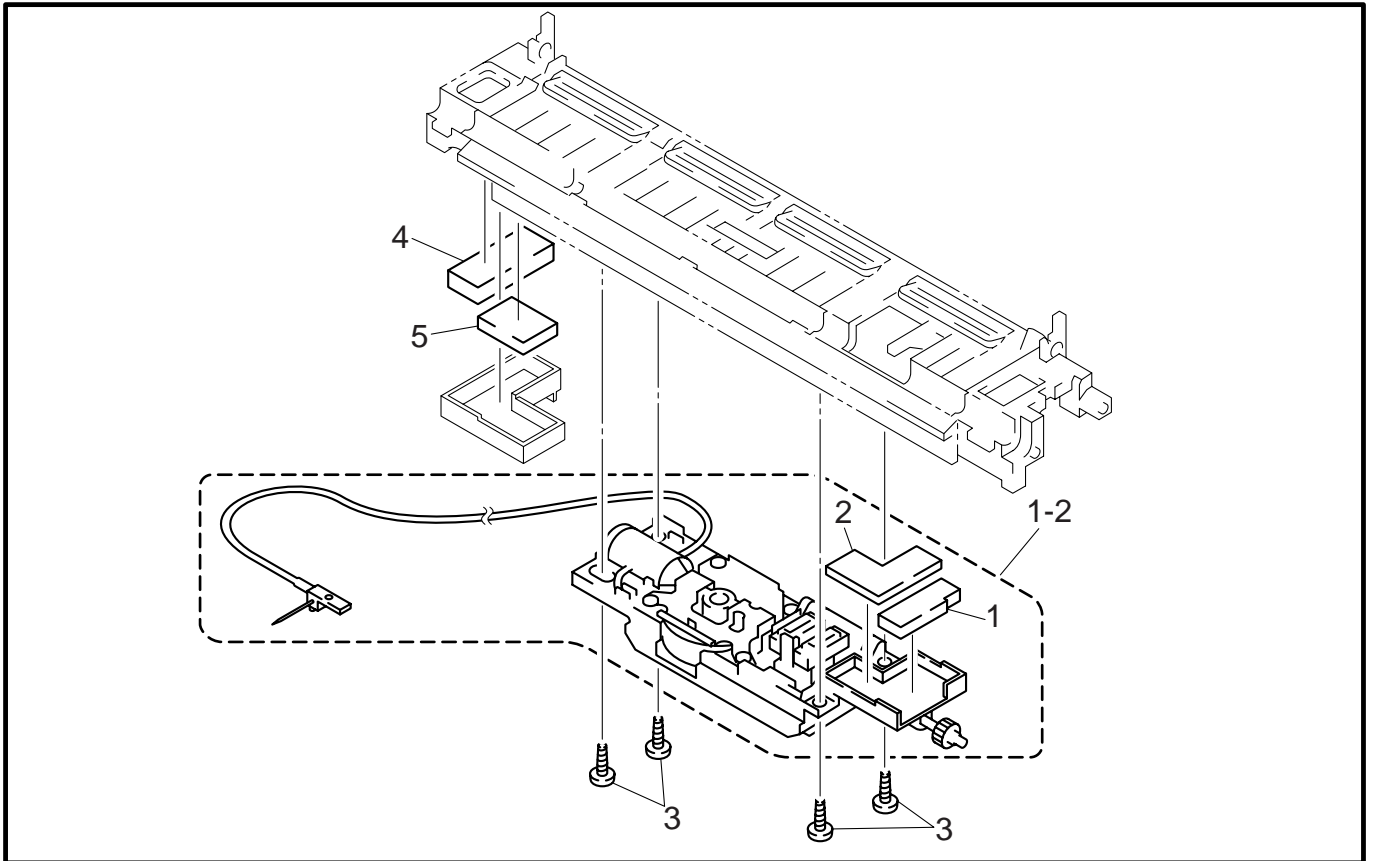
MODEL MP-21C/CF 5H1-001/002/004/011/020

1. CARRIAGE / FRAME ATTACHMENT/CHASSIS/CR DRIVE /PAPER FEED DRIVE

REF.NO.	CODE	Q'TY	DESCRIPTION	REMARK
1-3	UJ5551001	1	PAPER FEED FRAME ASSY(SP)	
1	UJ5057001	1	ENCODER STRIP	
2	UJ5141001	1	PAPER FEED MOTOR ASSY	
3	060260416	2	SCREW, BIND M26X4	

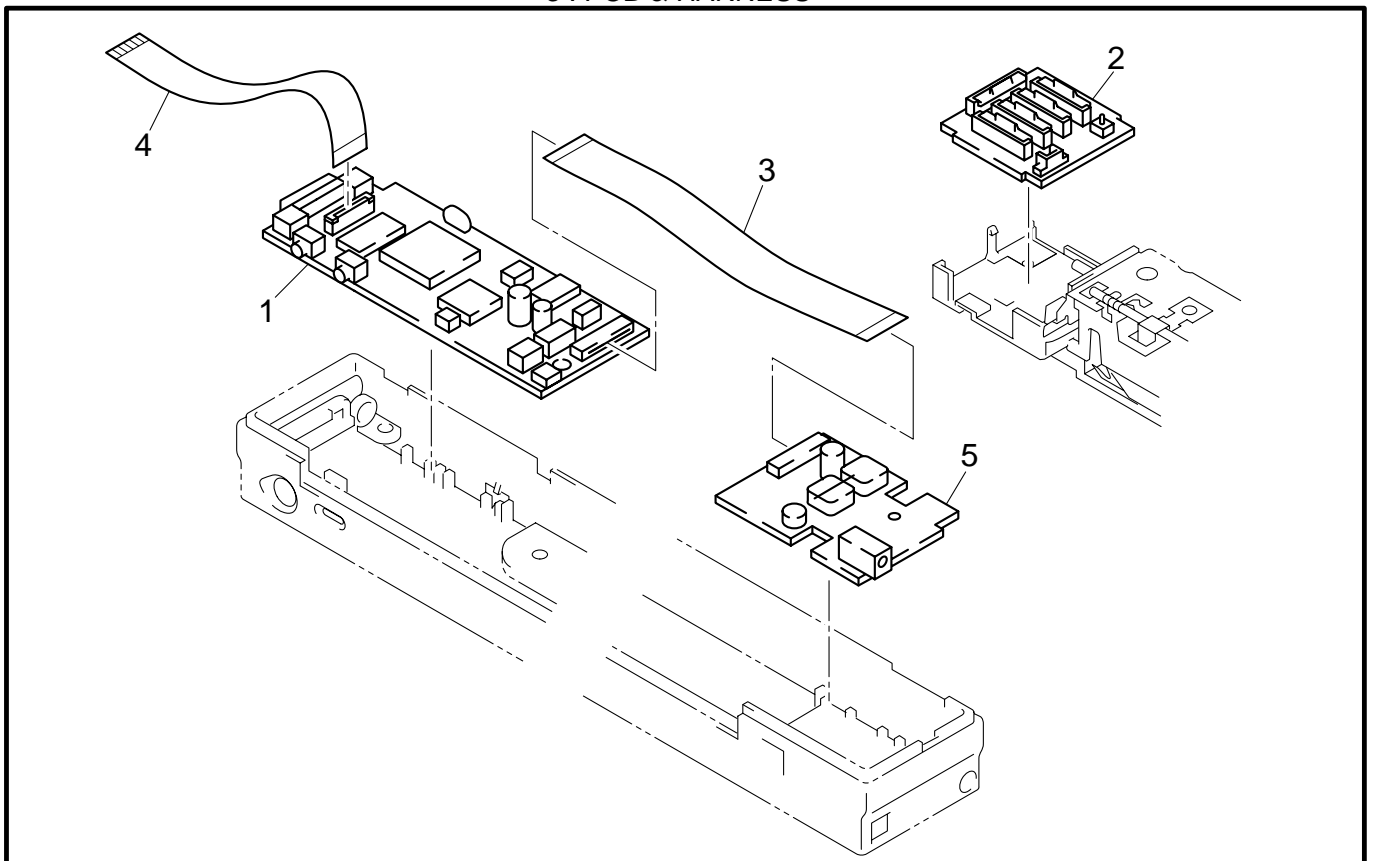
MODEL MP-21C/CDX 5H1-001/002/004/011/020

2 . PURGE UNIT



MODEL MP-21C/CF 5H1-001/002-025

3 . PCB & HARNESS



MODEL MP-21C/CF 5H1-001/002-450

2. PURGE UNIT

REF.NO.	CODE	Q'TY	DESCRIPTION	REMARK
1-2	UJ5562001	1	PURGE UNIT ASSY	
1	UJ5187001	1	FLUSHING FOAM R1	
2	UJ5188001	1	FLUSHING FOAM R2	
3	085310616	1	TAPTITE, BIND B M3X6	
4	UJ5190001	1	FLUSHING FOAM L1	
5	UJ5191001	1	FLUSHING FOAM L2	

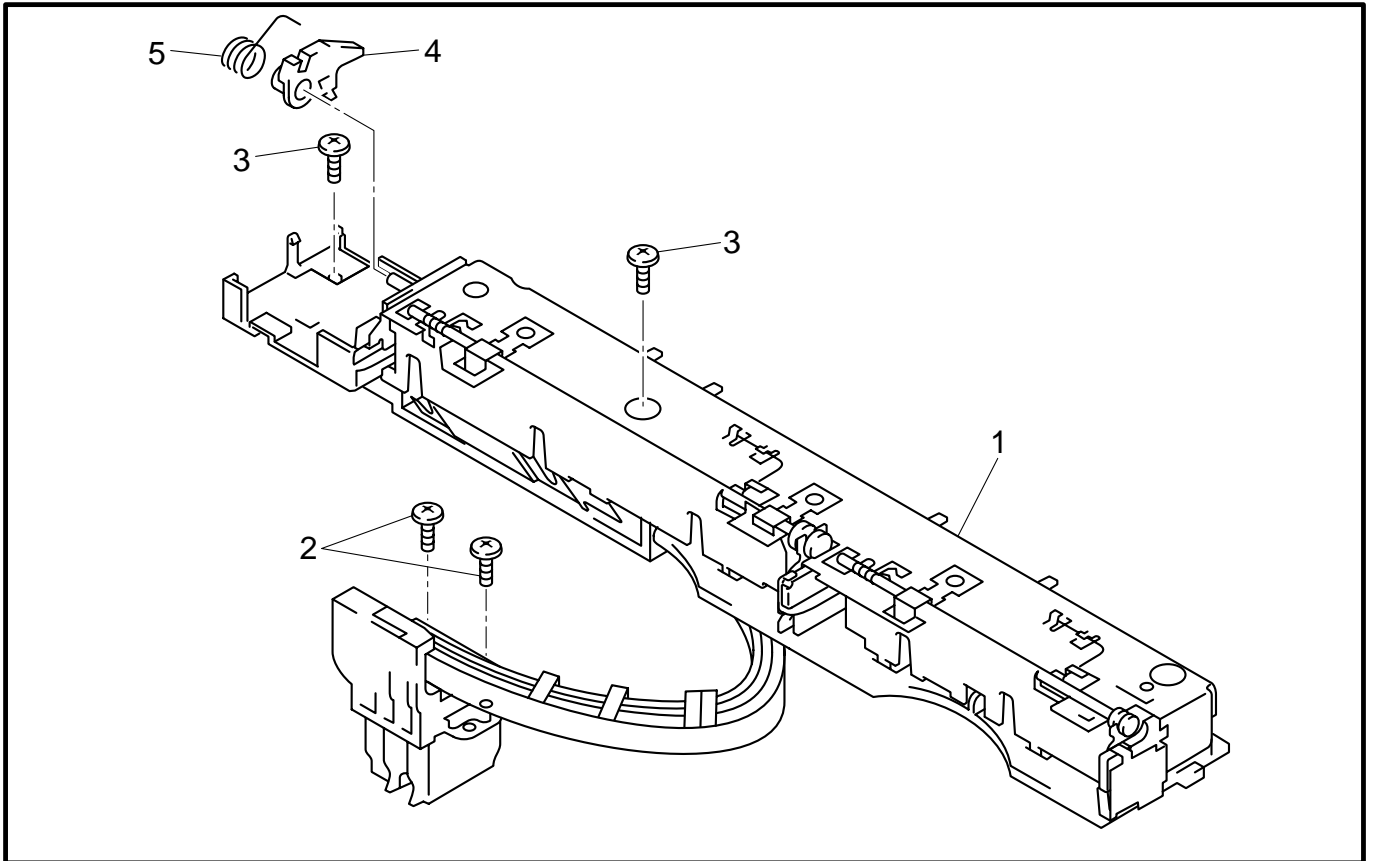
MODEL MP-21C/CDX 5H1-001/002-025

3. PCB & HARNESS

REF.NO.	CODE	Q'TY	DESCRIPTION	SYMBOL	REMARK
1	UJ7002001	1	MAIN PCB ASSY		
2	UJ7016001	1	HEAD PCB ASSY		
3	UJ7551000	1	POWER SUPPLY FFC		
4	UJ7552001	1	HEAD FFC		
5	UJ7024001	1	POWER SUPPLY PCB ASSY		

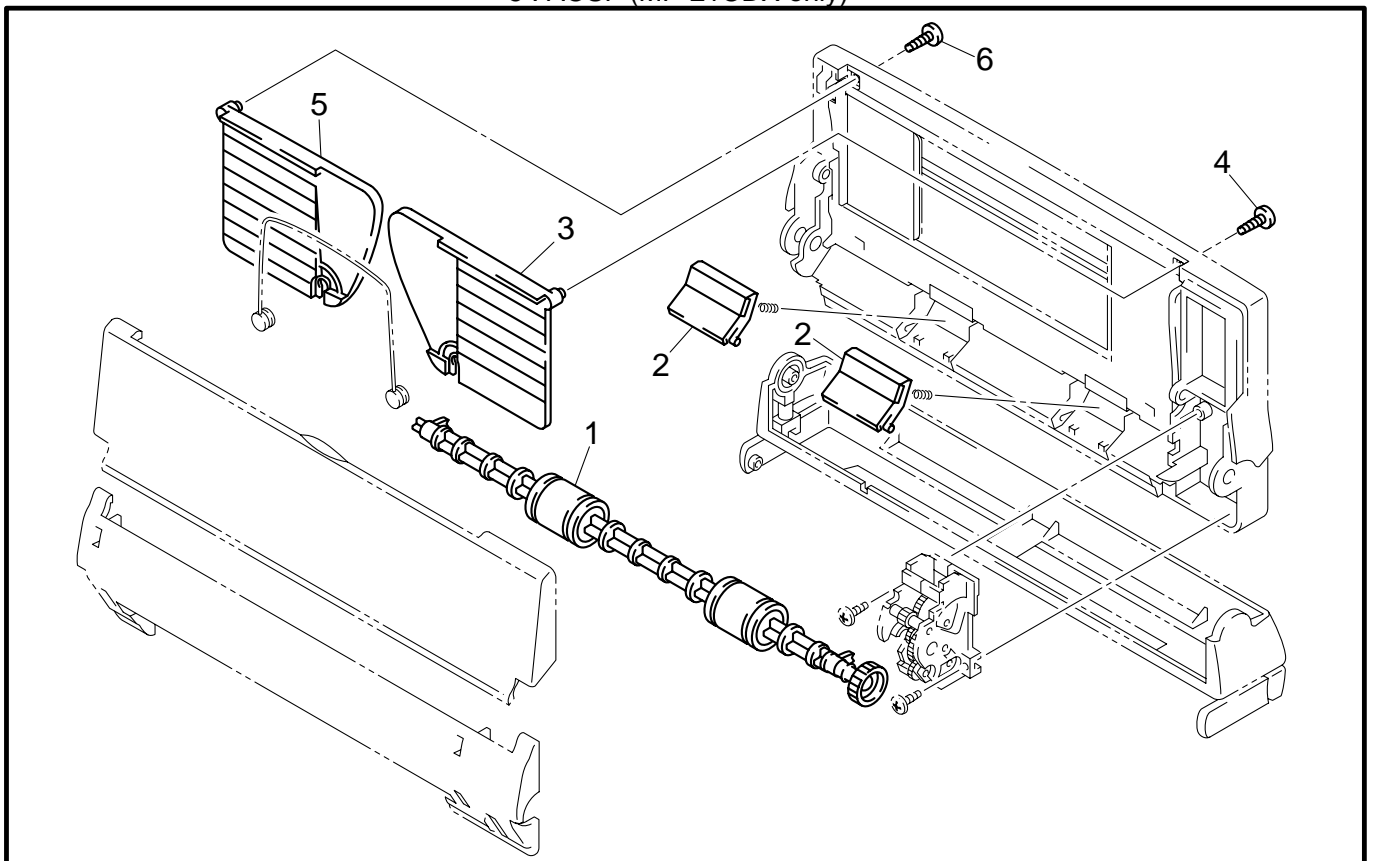
MODEL MP-21C/CDX 5H1-001/002-450

4 . INK HEAD BASE



MODEL MP-21C/CF 5H1-001/002-520

5 . ACSF (MP-21CDX only)



MODEL MP-21CF 5H1-002-5911

4. INK HEAD BASE

REF.NO.	CODE	Q'TY	DESCRIPTION	REMARK
1	UJ5550001	1	INK HEAD BASE UNIT (SP)	
2	085210816	1	SCREW, BIND M2X8	
3	060260416	1	SCREW, BIND M26X4	
4	UJ5303001	1	COVER SENSOR ACTUATOR	
5	UJ5304001	1	COVER SENSOR SPRING	

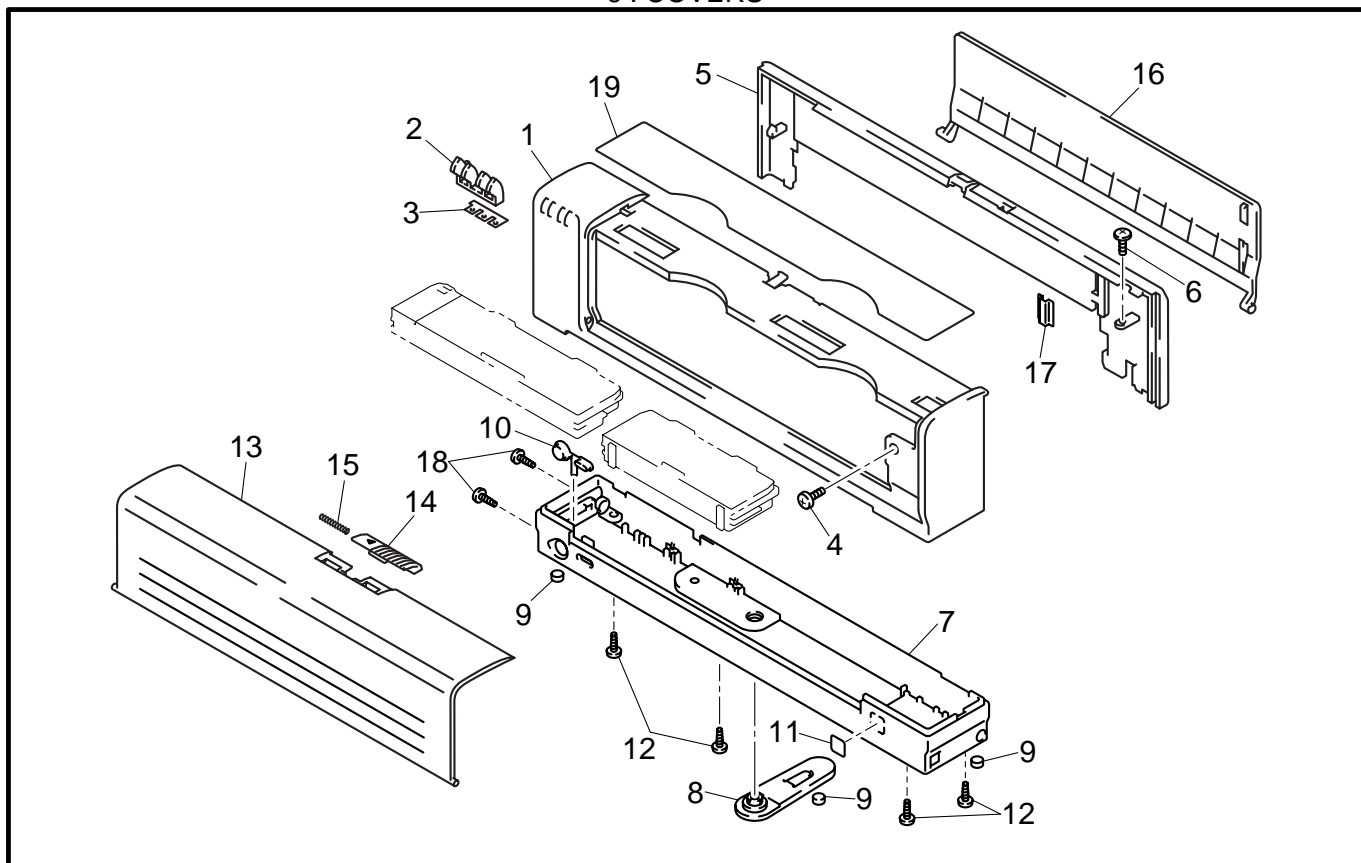
MODEL MP-21C/CDX 5H1-001/002-520

5. ACSF (MP-21CDX only)

REF.NO.	CODE	Q'TY	DESCRIPTION	REMARK
1	UJ5511001	1	PICK-UP ROLLER ASSY	
2	UJ5517001	1	SEPARATION PAD ASSY	
3	UJ5528001	1	EXTENSION GUIDE R	
4	085310817	1	TAPTITE, BIND B M3X8	
5	UJ5529001	1	EXTENSION GUIDE L	
6	085310817	1	TAPTITE, BIND B M3X8	

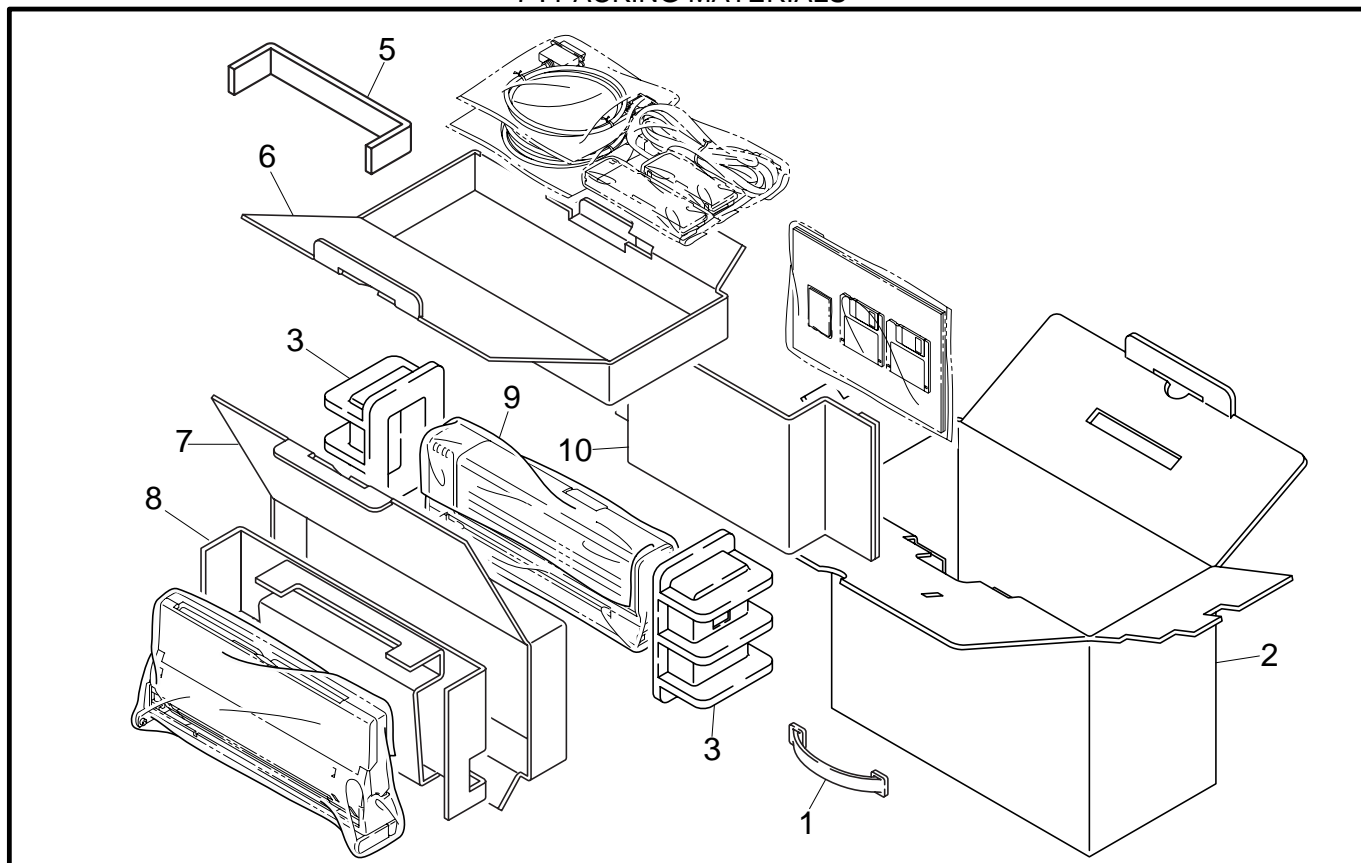
MODEL MP-21CDX 5H1-002-911

6. COVERS



MODEL MP-21C/CF 5H1-001/002-025

7. PACKING MATERIALS



MODEL MP-21C/CF 5H1-001/002-930

6. COVERS

REF.NO.	CODE	Q'TY	DESCRIPTION	REMARK
1	UJ5301001	1	FRONT COVER	
2	UJ5302000	1	LED GUIDE	
3	UJ5326001	1	LED BLIND SHEET	
4	060260417	1	SCREW, BIND M2.6X4	
5	UJ5306001	1	REAR COVER	
6	060260417	1	SCREW, BIND M2.6X4	
7	UJ5310001	1	BOTTOM COVER	
8	UJ5311001	1	SUPPORT PLATE	
9	UJ5312001	3	RUBBER FOOT	
10	UJ5313001	1	SWITCH KEY	
11	UJ5319001	1	COLOR LOGO MARK	
12	060260417	4	SCREW, BIND M2.6X4	
13	UJ5314001	1	TOP COVER	
14	UJ5307001	1	SLIDE LEVER	
15	UJ5308001	1	LEVER SPRING	
16	UJ5315001	1	PAPER GUIDE	
17	UJ5335001	1	FILM RIB	
18	UJ5317001	2	PRECISE SCREW, M16X4	
19	UJ5321001	1	PANEL CARTRIDGE INSTRUCT	

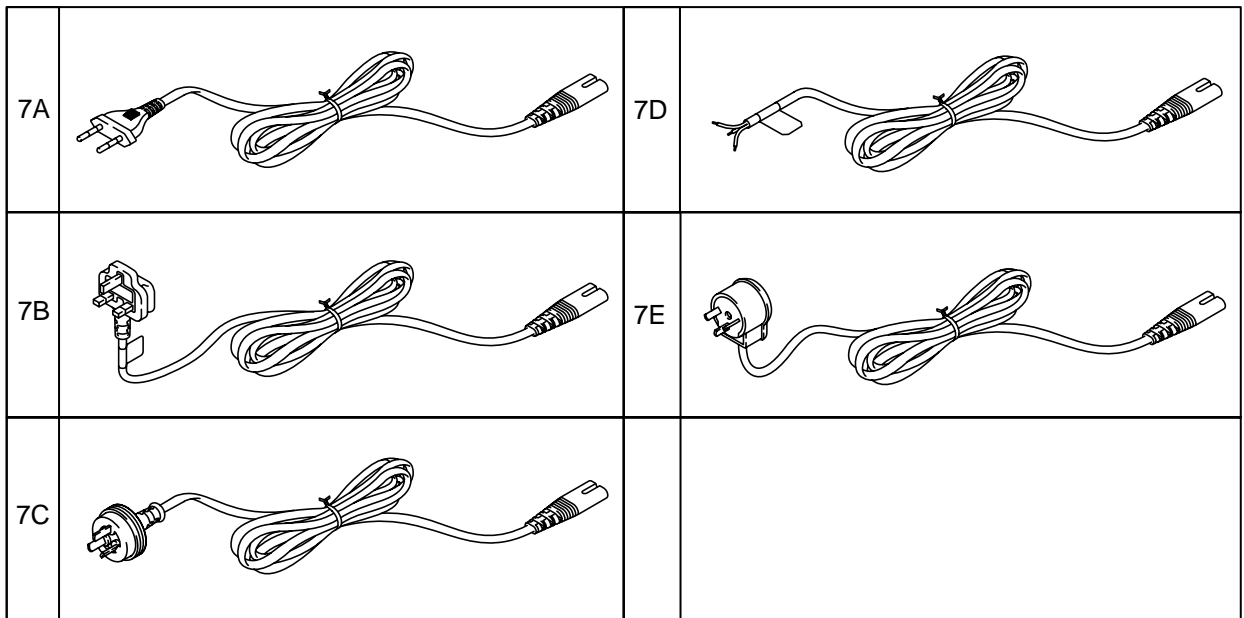
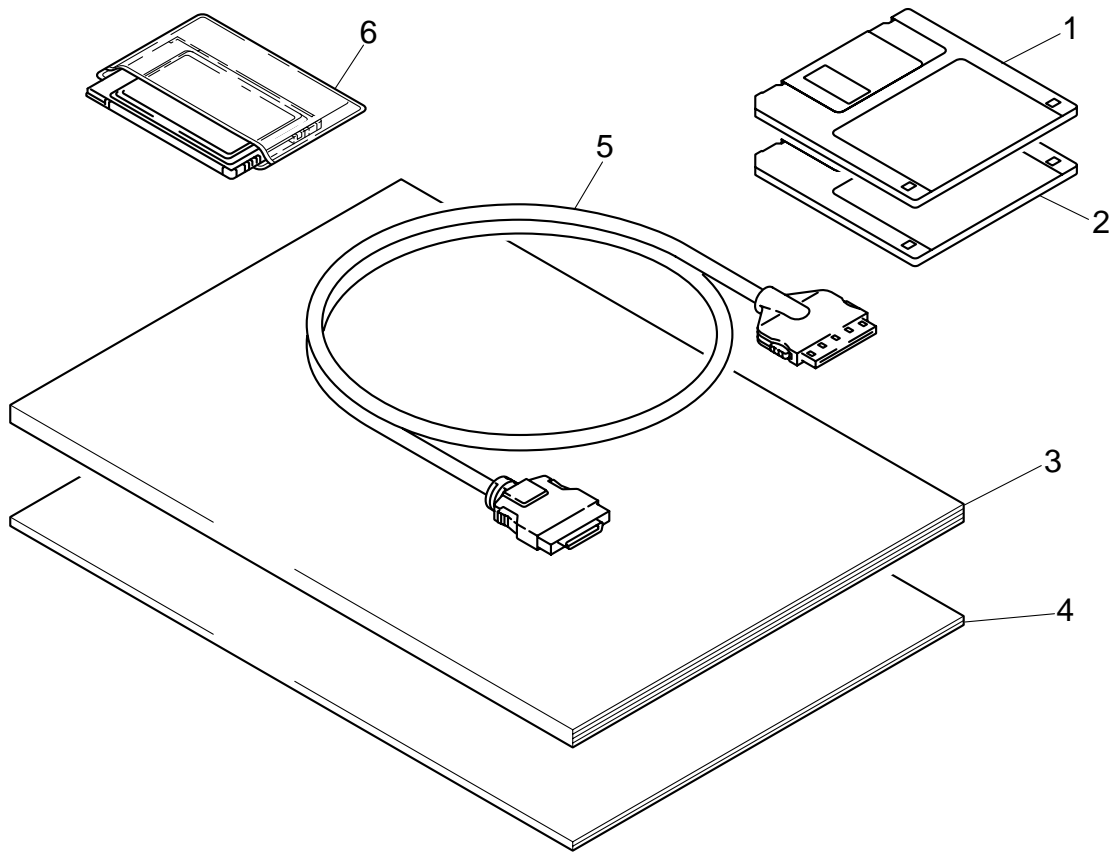
MODEL MP-21C/CDX 5H1-001/002-680

7. PACKING MATERIALS

REF.NO.	CODE	Q'TY	DESCRIPTION	REMARK
1	UJ5475001	1	CARRYING HANDLE	
2	UJ5426001	1	CARTON, MP-21C US	
2	UJ5446001	1	CARTON, MP-21CDX US	
2	UJ5427001	1	CARTON, MP-21C EU	
2	UJ5447001	1	CARTON, MP-21CDX EU	
2	UJ5492001	1	CARTON, MP-21C CANADA	
2	UJ5491001	1	CARTON, MP-21CDX CANADA	
3	UJ5430000	2	STYROFOAM, MP-21	
4	UJ5432001	1	CARTON, C (MP-21C only)	
5	UJ5433001	1	PARTITION CONTAINERBOARD (MP-21C only)	
5	UJ5486001	1	PARTITION CONTAINERBOARD (MP-21CDX only)	
6	UJ5476001	1	CARTON, CDX (MP-21CDX only)	
7	UJ5478001	1	CARTON, SF-21 (MP-21CDX only)	
8	UJ5480001	1	ACSF CUSHIONING MATERIAL (MP-21CDX only)	
9	UJ5434001	2	PE. BAG, 400X185	
10	UJ5444001	1	SPACER CONTAINERBOARD	

MODEL MP-21C/CDX 5H1-001/002-930

8. ATTACHMENTS



MODEL MP-21C/CF 5H1-001/002-910

8. ATTACHMENT

PR99002

REF.NO.	CODE	Q'TY	DESCRIPTION	REMARK
1	UJ5356001	1	PRINTER DRIVER DISK WIN95	
2	UJ5358001	1	PRINTER DRIVER DISK WIN31	
3	UJ5351001	1	USER'S GUIDE, ENG	
3	UJ5361001	1	USER'S GUIDE, FRE	
3	UJ5366001	1	USER'S GUIDE, GER	
3	UJ5372001	1	USER'S GUIDE, NOR	
3	UJ5374001	1	USER'S GUIDE, DUT	
3	UJ5379001	1	USER'S GUIDE, DAN	
3	UJ5381001	1	USER'S GUIDE, SPA	
3	UJ5383001	1	USER'S GUIDE, ITA	
3	UJ5385001	1	USER'S GUIDE, SWE	
4	UJ5394001	1	SETUP GUIDE, ENG	
4	UJ5395001	1	SETUP GUIDE, FRE	
4	UJ5396001	1	SETUP GUIDE, GER	
4	UJ5397001	1	SETUP GUIDE, NOR	
4	UJ5398001	1	SETUP GUIDE, DUT	
4	UJ5399001	1	SETUP GUIDE, DAN	
4	UJ5400001	1	SETUP GUIDE, SPA	
4	UJ5401001	1	SETUP GUIDE, ITA	
4	UJ5402001	1	SETUP GUIDE, SWE	
5	UJ7042001	1	IF CABLE, MP-21 PCMCIA	
6	UJ7045001	1	PCMCIA CARD, MBH2PR01	
7A	UJ7048001	1	POWER CORD, VDE	
7B	UJ7049001	1	POWER CORD, BS	
7C	UJ7050001	1	POWER CORD, SAA	
7D	UJ7053001	1	POWER CORD, ZAF	
7E	UJ7054001	1	POWER CORD, ISRAEL	

MODEL MP-21C/CDX 5H1-001/002-910