

NB: PART NO. RATIONALISATION –10 digit part nos. in brackets are the old numbers for otherwise identical items

DFX5000PLUS

Spares Guide showing alternative colours

Page 1

| REF | PART NO | DESCRIPTION | SPEC | QTY |
|-----|---------|--|------------------|-----|
| 100 | 1052950 | HOUSING ASSY.,LOWER | | 1 |
| 101 | 1026392 | FRAME ASSY.,BOTTOM | EPSON DARK GREY | 1 |
| 101 | 1040277 | FRAME ASSY.,BOTTOM;B;W | EPSON COOL WHITE | 1 |
| 102 | 1015100 | COVER ASSY.,FRONT | EPSON DARK GREY | 1 |
| 102 | 1037983 | COVER ASSY.,FRONT | EPSON COOL WHITE | 1 |
| 103 | 1018126 | HOUSING ASSY.,UPPER | | 1 |
| 104 | 1014990 | HOUSING ASSY.,TOP | EPSON DARK GREY | 1 |
| 104 | 1037990 | HOUSING ASSY.,TOP | EPSON COOL WHITE | 1 |
| 105 | 1017972 | LOGO PLATE | EPSON DARK GREY | 1 |
| 105 | 1040384 | LOGO PLATE;W | EPSON COOL WHITE | 1 |
| 106 | 1001078 | COVER, PAPER SUPPORT | EPSON DARK GREY | 1 |
| 106 | 1037228 | COVER,PAPER SUPPORT | EPSON COOL WHITE | 1 |
| 107 | 1014804 | CAP,LOWER,TYPE A | EPSON DARK GREY | 1 |
| 107 | 1037232 | CAP,LOWER | EPSON COOL WHITE | 1 |
| 108 | 1014800 | COVER,REAR | EPSON DARK GREY | 1 |
| 108 | 1040273 | COVER,REAR;W | EPSON COOL WHITE | 1 |
| 109 | 1001054 | CAP,MAGNET | EPSON DARK GREY | 2 |
| 109 | 1037234 | CAP,MAGNET | EPSON COOL WHITE | 2 |
| 110 | 1015011 | HOUSING SUB ASSY.,TOP | | 1 |
| 111 | 1014803 | COVER,I/F;B | EPSON DARK GREY | 1 |
| 111 | 1040275 | COVER,I/F;B;W | EPSON COOL WHITE | 1 |
| 112 | 1001860 | MAGNET SUB ASSY.,TOP | EPSON DARK GREY | 1 |
| 112 | 1037985 | MAGNET SUB ASSY.,TOP | EPSON COOL WHITE | 1 |
| 113 | 1074049 | MECHANISM MOUNTING SCREW (F346559100) | | 4 |
| 114 | 1074050 | TOP COVER HINGE SCREW (F346559120) | | 4 |
| 115 | 1001070 | HOLDER,CONTROL PANEL | EPSON DARK GREY | 1 |
| 115 | 1037236 | HOLDER,CONTROL PANEL | EPSON COOL WHITE | 1 |
| 116 | 1001071 | HOUSING,LEFT | EPSON DARK GREY | 1 |
| 116 | 1041450 | HOUSING,LEFT;W | EPSON COOL WHITE | 1 |
| 117 | 1001073 | HOUSING,RIGHT | EPSON DARK GREY | 1 |
| 117 | 1052949 | HOUSING,RIGHT | EPSON COOL WHITE | 1 |
| 118 | 1001861 | COVER,TOP,SUB ASSY. | EPSON DARK GREY | 1 |
| 118 | 1037992 | COVER,TOP,SUB ASSY. | EPSON COOL WHITE | 1 |
| 119 | 1001862 | COVER,PUSH TRACTOR SUB ASSY. | EPSON DARK GREY | 1 |
| 119 | 1037993 | COVER,PUSH TRACTOR SUB ASSY. | EPSON COOL WHITE | 1 |
| 120 | 1001863 | PAPER SUPPORT SUB ASSY. | EPSON DARK GREY | 1 |
| 120 | 1037994 | PAPER SUPPORT SUB ASSY. | EPSON COOL WHITE | 1 |
| 121 | 1023598 | MOUNT,INTER LOCK | | 1 |
| 122 | 1014801 | SHIELD PLATE | | 1 |
| 123 | 1001321 | C.B.S. (O) SCREW | M3X8 | 1 |
| 124 | 1001322 | C.B. (O) SCREW | M4X6 | 1 |
| 125 | 1071395 | C.P. (S).SCREW,3X16 F/ZN (B030103811) | M3X16 | 2 |
| 126 | 1073190 | C.F.S.SCREW (B300704411) | M3X10 | 2 |
| 127 | 1073243 | C.B.B. SCREW (B310204311) | M3X8 | 3 |
| 129 | 1071083 | C.B.SCREW (B010303611) | M3X12 | 4 |
| 131 | 1073244 | C.B.B. SCREW (B310204411) | M3X10 | 5 |
| 132 | 1073247 | C.B.B. SCREW (B310204511) | M3X12 | 15 |
| 133 | 1073254 | C.B.B.SCREW (B310206311) | M4X10 | 4 |
| 134 | 1073284 | C.B.B. SCREW (B310206611) | M4X16 | 30 |
| 135 | 1073120 | C.P. (PS).SCREW (B046900111) | M4X8 | 5 |
| 136 | 1073207 | C.B.S. (O) SCREW (B303406211) | M4X8 | 4 |
| 137 | 1073177 | C.B.S.SCREW, 4X14 F/ZN (B300206511) | | 4 |
| 139 | 1080785 | C.B.B. SCREW (B310204412) | M3X10 | 4 |
| 140 | 1001323 | C.F.B. SCREW | M3X10 | 5 |
| 142 | 1002993 | METAL,TRANSPORT,FIX,LEFT | | 1 |
| 143 | 1074051 | TRANSPORT LOCKING BRACKET (F346559160) | | 1 |
| 145 | 2030194 | FERRITE CORE | | 1 |
| 146 | 1025775 | +ONE WAY PLA-LOCK,3X12,F/ZN | | 1 |
| 147 | 1073204 | C.B.S. (O) SCREW (B303404211) | M3X6 | 3 |
| 152 | 1014915 | DAMPER SHEET | | 1 |
| 153 | 1014916 | DAMPER SHEET;B | | 1 |
| 159 | 1014812 | SHAFT,FRONT,LOWER,RIGHT | EPSON DARK GREY | 1 |

EPSON

DFX5000PLUS

Page 2

| REF | PART NO | DESCRIPTION | SPEC | QTY |
|-----|---------|--|------------------|-----|
| 159 | 1040235 | SHAFT,FRONT,LOWER,RIGHT | EPSON COOL WHITE | 1 |
| 160 | 1014813 | SHAFT,FRONT,LOWER,LEFT | | 1 |
| 160 | 1040236 | SHAFT,FRONT,LOWER,LEFT | | 1 |
| 161 | 1015103 | LEVER ASSY.,LOCK,LEFT | | 1 |
| 162 | 1015104 | LEVER ASSY.,LOCK RIGHT | | 1 |
| 163 | 1016758 | LEAF SPRING,MECHA FRAME | | 1 |
| 164 | 1016759 | LEAF SPRING,BASE FRAME | | 1 |
| 165 | 1001053 | COVER,DIP SWITCH | | 1 |
| 165 | 1040276 | COVER,DIP SWITCH | EPSON COOL WHITE | 1 |
| 166 | 1002045 | COVER,CONNECTOR,UPPER | | 1 |
| 166 | 1037223 | COVER,CONNECTOR,UPPER | EPSON COOL WHITE | 1 |
| 167 | 1002876 | C.B. (O)SCREW,3X6,F/ZN | | 1 |
| 168 | 1076260 | CONNECTOR LOCK NUT (X610058724) | | 2 |
| 168 | 1076261 | CONNECTOR LOCK NUT (X610058726) | | 1 |
| 170 | 2017404 | DETECTOR,INTER LOCK | 2.5,30V,6A, | 1 |
| 200 | 2023889 | BOARD ASSY.,MAIN | | 1 |
| 200 | 2023890 | BOARD ASSY.,MAIN | | 1 |
| 201 | 2052824 | SCREW (X610059020) | DEUE-M2.6-0.45 | 2 |
| 201 | 2052825 | SCREW (X610059030) | DBUE-#4-40UNC | 2 |
| 202 | 1006374 | GUIDE,I/F BOARD | | 1 |
| 203 | 1016570 | BRACKET,I/F | | 1 |
| 204 | 1016571 | SHIELD PLATE,MAIN | | 1 |
| 205 | 1016572 | EARTH SPRING;B | | 1 |
| 206 | 1016573 | COVER,DIP SWITCH | | 1 |
| 207 | 1016574 | HEAT SINK | | 1 |
| 208 | 1016575 | METAL,HOLDER | | 1 |
| 209 | 1073777 | C.P.SCREW (B010103611) | M3X12 | 1 |
| 210 | 1004635 | C.B. SCREW (B010301511) | M3X6 | 2 |
| 211 | 1021816 | C.P. (O) SCREW (B040450511) | M3X6 F/ZN | 2 |
| 212 | 1073171 | C.B.S-TITE.SCREW,3X8,F/ZN | | 4 |
| 213 | 1002876 | C.B. (O)SCREW,3X6,F/ZN | | 1 |
| 220 | 2019672 | BOARD ASSY.,POWER SUPPLY | 220V | 1 |
| 220 | 2011317 | BOARD ASSY.,POWER SUPPLY | 120V | 1 |
| 222 | 1073165 | C.B.S. SCREW (B300204211) | | 7 |
| 223 | 1016569 | METAL,FITING,FAN | | 1 |
| 224 | 1073183 | C.C.S. SCREW (B300304411) | M3X10 | 4 |
| 230 | 2008070 | FAN ASSY. | | 1 |
| 220 | 2011318 | BOARD ASSY.,POWER SUPPLY | 220V/240V | 1 |
| 222 | 1073165 | C.B.S. SCREW (B300204211) | | 7 |
| 223 | 1016569 | METAL,FITING,FAN | | 1 |
| 224 | 1073183 | C.C.S. SCREW (B300304411) | M3X10 | 4 |
| 230 | 2008070 | FAN ASSY. | | 1 |
| 400 | 2002364 | POWER CABLE, (VD31303SA-10A) | 230V | 1 |
| 401 | 2006741 | POWER CABLE,BS31303SA-SR-10A | 240V | 1 |
| 402 | 2010468 | AC CABLE,AS31303SI-A | 240V | 1 |
| 402 | 2037212 | POWER CABLE | | 1 |
| 403 | 2002365 | POWER CABLE VD00303SA-10A | 220V | 1 |
| 404 | 2000752 | POWER CABLE | 120V | 1 |
| 405 | 2051543 | POWER CABLE (JI21203SA) (Y901300800) | 100V | 1 |
| 411 | 2011446 | HARNESS | | 1 |
| 412 | 2011443 | HARNESS | | 1 |
| 413 | 2011445 | HARNESS | | 1 |
| 414 | 2018282 | HARNESS | | 1 |
| 415 | 2000606 | WIRE-HARNESS | | 1 |
| 416 | 2000711 | WIRE-HARNES | | 1 |
| 419 | 2017635 | HARNESS,INTERMIT | | 1 |
| 450 | 2011199 | CONTROL PANEL | | 1 |
| 450 | 2027984 | CONTROL PANEL | EPSON COOL WHITE | 1 |
| 500 | 2011567 | PRINTER MECHANISM | M-3C61 | 1 |
| 501 | 1016751 | FRAME ASSY.,LEFT | | 1 |
| 502 | 1016906 | FRAME ASSY.,RIGHT | | 1 |
| 503 | 2011619 | SOLENOID ASSY.,LD | | 1 |
| 504 | 2051873 | PLATEN GAP ADJUSTMENT MOTOR (F346051001) | DC35V/0.7A | 1 |
| 505 | 2011558 | MOTOR ASSY.,CARRIAGE | DC24V/17W | 1 |

EPSON

DFX5000PLUS

Page 3

| REF | PART NO | DESCRIPTION | SPEC | QTY |
|-----|---------|---|--------------------|-----|
| 506 | 1000450 | FRAME,LOWER | | 1 |
| 507 | 1016899 | FRAME,FRONT | | 1 |
| 508 | 2007992 | MOTOR ASSY.,PF | DC4.34V/1.55A/6.7W | 1 |
| 509 | 1000926 | PULLY ASSY.,BELT | | 1 |
| 510 | 1074269 | TENSION PULLEY ASSEMBLY (F346102000) | | 1 |
| 511 | 1074293 | RIBBON FEED MOTOR FRAME (F346105000) | | 1 |
| 512 | 1074298 | TRACTOR SELECT DETECTOR (F346106000) | | 1 |
| 513 | 2051872 | RIBBON FEED MOTOR (F346107000) | DC35V/5W | 1 |
| 514 | 1074308 | RIBBON FEED SELECT GEAR (F346108000) | | 1 |
| 515 | 1042838 | TRACTOR SELECT LEVER A | | 1 |
| 516 | 1017062 | TRACTOR SELECT LEVER LOWER | | 1 |
| 517 | 1042665 | SPRING,CHANGE,TRACTOR | | 1 |
| 518 | 1074282 | TRACTOR SELECT CAM (F346104040) | | 1 |
| 519 | 1074285 | TRACTOR SELECT TRANSMISSION GEAR (F346104050) | | 1 |
| 520 | 1074290 | RIBBON FEED TRANSMISSION GEAR (F346104060) | | 1 |
| 521 | 2051563 | PAPER THICKNESS DETECTOR (F346151000) | | 1 |
| 522 | 2011564 | DETECTOR ASSY.,PGHP | | 1 |
| 523 | 1001346 | DETECTOR ASSY.,PULL TRACTOR | | 1 |
| 524 | 1000485 | PAPER GUIDE,UPPER | | 1 |
| 525 | 1016136 | CARRIAGE ASSY. | | 1 |
| 526 | 2000788 | LEAD WIRE | | 3 |
| 527 | 1074341 | BELT PULLEY HOLDER (F346203000) | | 1 |
| 528 | 1016774 | PLATEN ASSY. | | 1 |
| 529 | 2011559 | BOARD ASSY.,INTERMIT | | 1 |
| 530 | 2011560 | BOARD ASSY.,INTERMIT,CARRIAGE | | 1 |
| 531 | 2011561 | BOARD ASSY.,DETECTOR,PTS | | 1 |
| 532 | 1020343 | PAPER ASSY.,SUPPORT | | 1 |
| 533 | 1016775 | ROLLER ASSY.,LD | | 1 |
| 534 | 1016011 | STATIC DISCHARGE BRUSH | | 1 |
| 535 | 2000811 | DETECTOR ASSY.,PAPER END,UPPER | | 1 |
| 536 | 2011563 | DETECTOR ASSY.,PW | | 1 |
| 537 | 1018949 | COVER,PWS,SUPPORT | | 1 |
| 538 | 1039686 | HOLDER,CARRIAGE MOTOR | | 1 |
| 539 | 1016900 | MOUNT PLATE,CARRIAGE MOTOR | | 1 |
| 540 | 2011354 | CABLE,BOARD,INTERMIT,HEAD | | 1 |
| 541 | 1016757 | PAPER GUIDE ASSY.,PJ DETECTOR | | 1 |
| 543 | 1016058 | WIRE,TRACTOR | | 2 |
| 544 | 1016040 | DETECTOR PLATE,PTS | | 1 |
| 545 | 1024964 | WIRE BAND | | 2 |
| 546 | 2011176 | RESISTOR | | 1 |
| 547 | 1043946 | TRACTOR SUB ASSY.,FRONT,LEFT | | 1 |
| 548 | 1043948 | TRACTOR,FRONT,RIGHT | | 1 |
| 549 | 1016138 | PAPER SUPPORT | | 4 |
| 550 | 1016051 | SHAFT,TRACTOR | | 2 |
| 551 | 1074033 | TRACTOR GUIDE SHAFT (F346259030) | | 2 |
| 552 | 1042366 | FRAME ASSY.,PF | | 1 |
| 553 | 1043947 | TRACTOR SUB ASSY.,REAR,LEFT | | 1 |
| 554 | 1043950 | TRACTOR,REAR RIGHT | | 1 |
| 555 | 1000500 | SPACER,PF ROLLER | | 2 |
| 556 | 1019991 | ROLLER,PF,DRIVE | | 1 |
| 557 | 1000499 | SPUR GEAR | 18.4 | 1 |
| 558 | 1016038 | SHAFT,CR,GUIDE,REAR | | 1 |
| 559 | 1016037 | SHAFT,CR,GUIDE,FRONT | | 1 |
| 561 | 1015452 | LEVER,SHAFT,LEFT | | 1 |
| 562 | 1015451 | LEVER,SHAFT,RIGHT | | 1 |
| 563 | 1074211 | GUIDE SHAFT HOLDING SPRING (F346003080) | | 2 |
| 564 | 1000451 | LEVER,G,ADJUST | | 1 |
| 565 | 1074216 | PAPER GAP ADJUST CENTRE GEAR (F346003100) | | 1 |
| 567 | 1000452 | COVER,CONNECTOR | | 1 |
| 568 | 1000455 | DAMPER,LEFT | | 1 |
| 569 | 1018356 | DAMPER,RIGHT | | 1 |
| 570 | 1000456 | DAMPER,LOWER | | 4 |
| 571 | 1020360 | OIL PAD COVER | | 2 |
| 572 | 1074224 | OIL PAD RING (F346003200) | | 2 |
| 573 | 1016903 | FRAME,HEAD CABLE | | 1 |

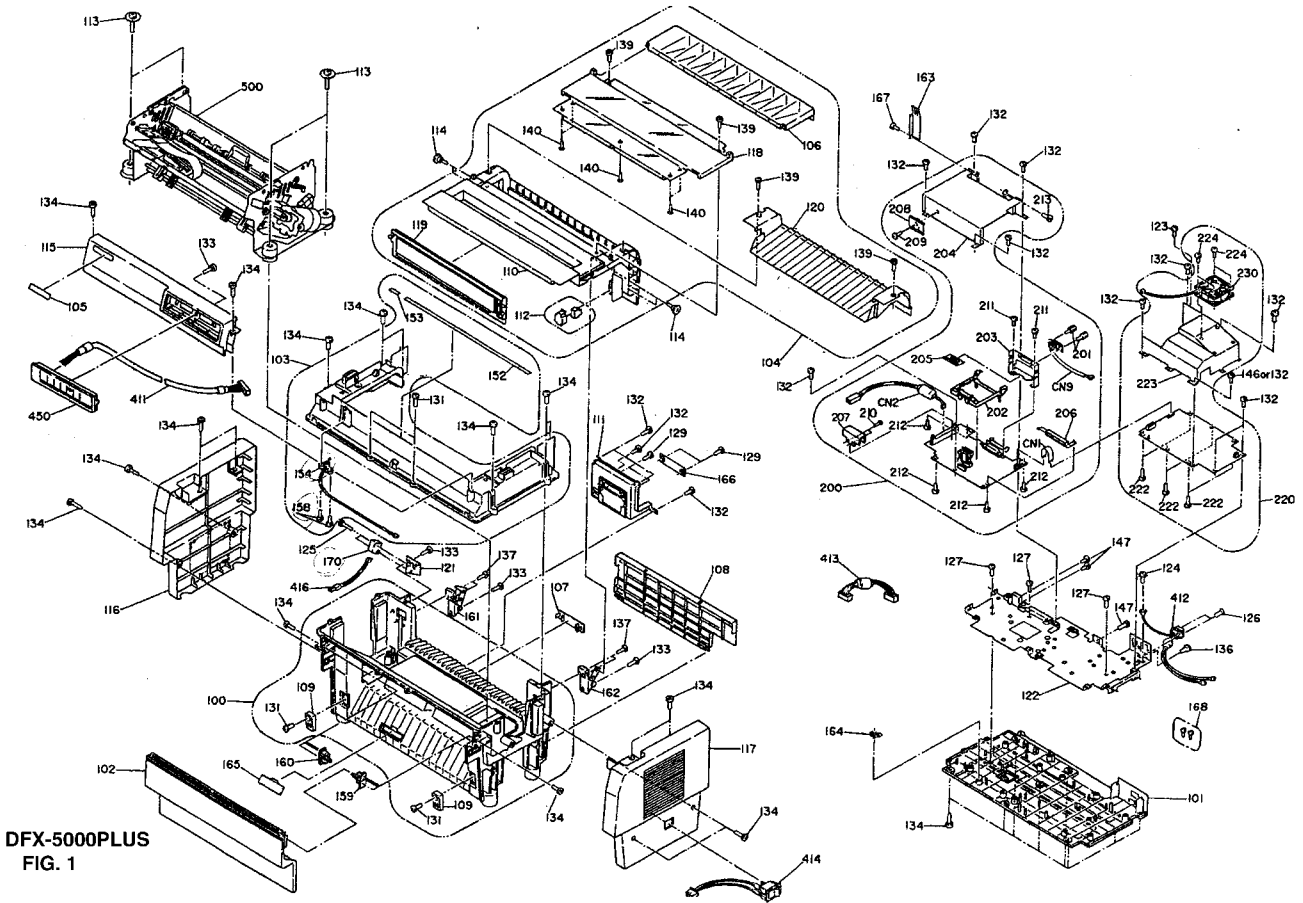
EPSON

DFX5000PLUS

| REF | PART NO | DESCRIPTION | SPEC | QTY |
|-----|---------|--|--------------|-----|
| 574 | 1018094 | COVER,HEAD CABLE | | 1 |
| 576 | 1000477 | TIMING BELT,CARRIAGE | | 1 |
| 577 | 1000478 | HOLDER,BELT FASTEN | | 1 |
| 578 | 1074228 | OIL PAD (F346003240) | | 1 |
| 579 | 1000487 | FRAME,PAPER GUIDE MOUNT | | 1 |
| 580 | 1000505 | EXTENSION SPRING,1000 | | 2 |
| 581 | 1000486 | PAPER GUIDE,LOWER | | 3 |
| 582 | 1001797 | SHEET,HEAD CABLE,PROTECT | | 1 |
| 584 | 1074239 | PLATEN ROLLER GEAR (F346003340) | | 1 |
| 585 | 1074240 | PLATEN ROLLER SHAFT HOLDER (F346003350) | | 10 |
| 586 | 1074241 | PLATEN ROLLER REDUCTION GEAR (F346003360) | | 1 |
| 587 | 1074242 | PLATEN ROLLER TRANSMISSION GEAR (F346003371) | | 1 |
| 588 | 1074243 | PLATEN ROLLER MIDDLE GEAR (F346003380) | | 1 |
| 589 | 1074244 | TENSION ROLLER GEAR (F346003390) | | 1 |
| 590 | 1074245 | PAPER BAIL GEAR (F346003400) | | 1 |
| 591 | 1074246 | PAPER BAIL LEVER (F346003410) | | 2 |
| 593 | 1000497 | TIMING BELT,PAPER FEED | | 1 |
| 595 | 1074251 | PAPER FEED REDUCTION GEAR (F346003450) | | 1 |
| 596 | 1074252 | PAPER FEED MIDDLE GEAR (F346003460) | | 4 |
| 597 | 1074253 | TRACTOR SELECT GEAR HOLDER (F346003471) | | 1 |
| 598 | 1074256 | TENSION PULLEY SPRING (F346003490) | | 1 |
| 599 | 1074257 | RIBBON FEED TRANSMISSION GEAR (F346003500) | | 1 |
| 601 | 1074746 | PLAIN WASHER (B100152212) | 4X0.8X10 | 3 |
| 602 | 1021819 | C.P.S.P.SCREW (B040550411) | M3X6 | 9 |
| 603 | 1001830 | C.P. (C). (S) SCREW | M4X10 | 3 |
| 604 | 1073980 | PLAIN WASHER (B100152112) | 3X0.2X9 | 2 |
| 605 | 1033025 | C.P. (PS) SCREW (B047100111) | M4X6 | 4 |
| 606 | 1071399 | C.P. (S) SCREW (B030150111) | M2.6X5 F/ZN | 2 |
| 607 | 1017930 | MINI CLAMP YMC-05-H-0 | | 1 |
| 608 | 1079095 | C.P. (PS) SCREW (B047100211) | M4X8 | 8 |
| 610 | 1001827 | C.P.S.P SCREW | M2.5X6 | 1 |
| 611 | 1074745 | PLAIN WASHER (B100150412) | 4X0.2X6 | 1 |
| 612 | 1073207 | C.B.S. (O) SCREW (B303406211) | M4X8 | 4 |
| 613 | 1076269 | PLAIN WASHER (B100167090) | 4.1X0.2X7.8 | 2 |
| 614 | 1074104 | RETAINING RING (B150300611) | TYPE-E(3) | 8 |
| 615 | 1076284 | LEAF SPRING (B101253890) | 4.1X0.13X8.3 | 1 |
| 616 | 1076227 | H.N.F. (B081800111) | M4 | 4 |
| 617 | 1001091 | FLANGE NUT | | 2 |
| 618 | 1004853 | C.P.S. (O) SCREW | M3X8 | 2 |
| 619 | 1074768 | RETAINING RING (B150300911) | TYPE-E(6) | 13 |
| 620 | 1073174 | C.B.S SCREW (B300206211) | 4X8 | 11 |
| 621 | 1076283 | LEAF SPRING (B101253390) | 8.2X0.15X15 | 4 |
| 622 | 1076264 | PLAIN WASHER (B100166012) | 8X0.5X15 | 6 |
| 623 | 1001188 | WIRE HOLDER | | 2 |
| 624 | 1074729 | HEXAGON NUT (B070100111) | M2 | 1 |
| 625 | 1074259 | RIBBON FEED DRIVE GEAR (F346003511) | | 1 |
| 626 | 1074260 | RIBBON FEED GEAR COVER (F346003520) | | 1 |
| 627 | 1001189 | CABLE CLIP | | 2 |
| 628 | 1001809 | LOCKING WIRE SADDLE | | 1 |
| 629 | 1073120 | C.P. (PS).SCREW (B046900111) | M4X8 | 2 |
| 630 | 1071386 | C.P.S.SCREW (B030101711) | M2X10 | 1 |
| 631 | 1074066 | HEXAGON NUT (B070100311) | M3 | 4 |
| 632 | 1074121 | C.P.S. (O) SCREW (B302404211) | M3X6 | 3 |
| 633 | 1025014 | C.P.S (P.S) SCREW,3X10,F/ZN | | 2 |
| 634 | 1040327 | METAL FITTINGS,FASTEN,SHAFT | | 1 |
| 635 | 1008492 | PLAIN WASHER 3*0.5*8 F/ZN | 3X0.5X8 | 8 |
| 637 | 1076271 | PLAIN WASHER (B100168012) | 2.5X0.5X7.5 | 1 |
| 638 | 1019992 | SHEET,DUST PROOF | | 1 |
| 639 | 1073165 | C.B.S. SCREW (B300204211) | | 6 |
| 640 | 1073171 | C.B.S-TITE.SCREW,3X8,F/ZN | | 2 |
| 641 | 1073170 | C.B.S.SCREW (B300206111) | M4X6 | 6 |
| 643 | 1002458 | SPACER,CR,SHAFT,LOWER | | 1 |
| 644 | 1008186 | "PLASTI RIVET" | | 1 |
| 645 | 1015449 | MOUNT PLATE,PLATEN,RIGHT | | 1 |

EPSON

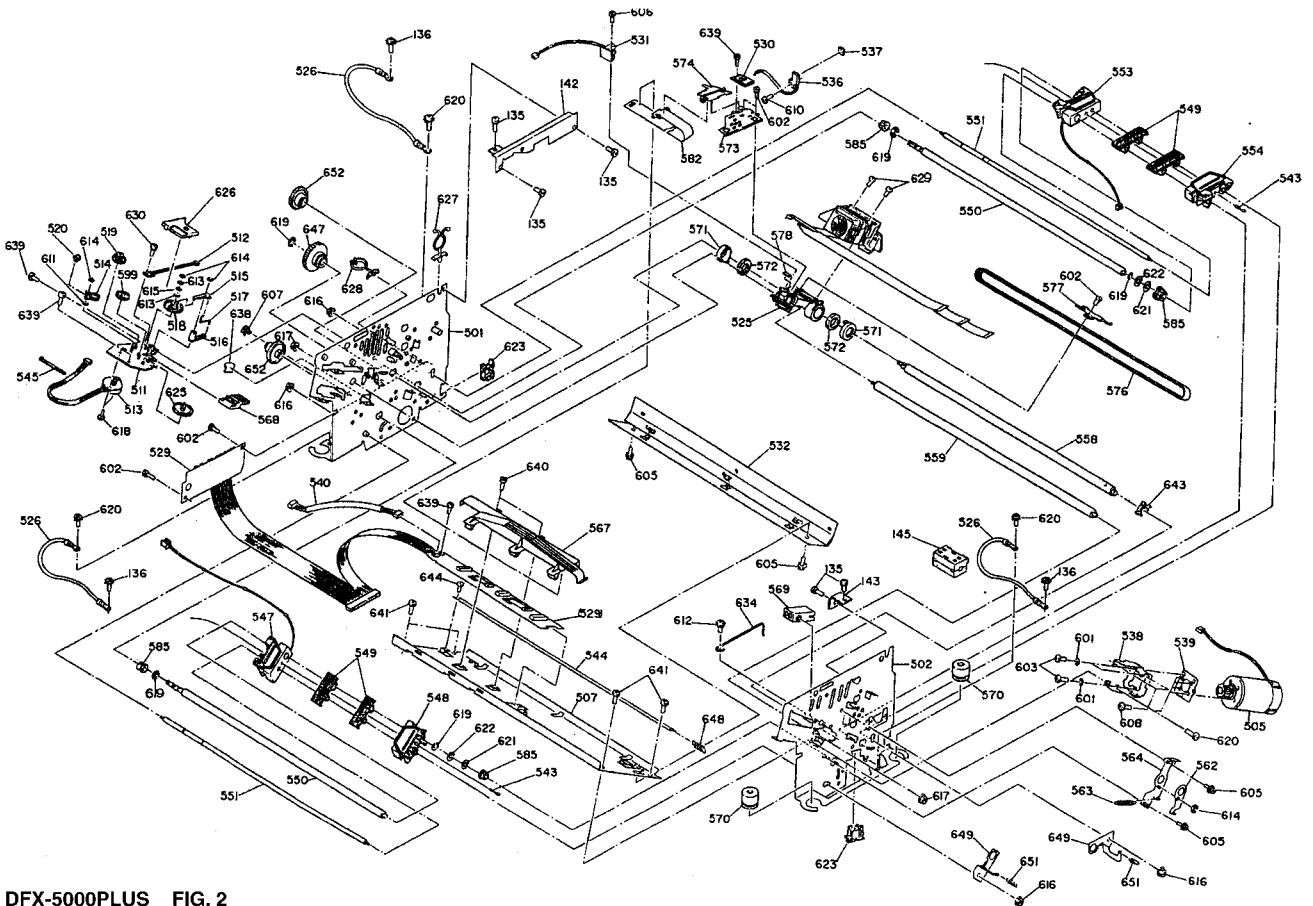
DFX5000PLUS



EPSON

DFX5000PLUS

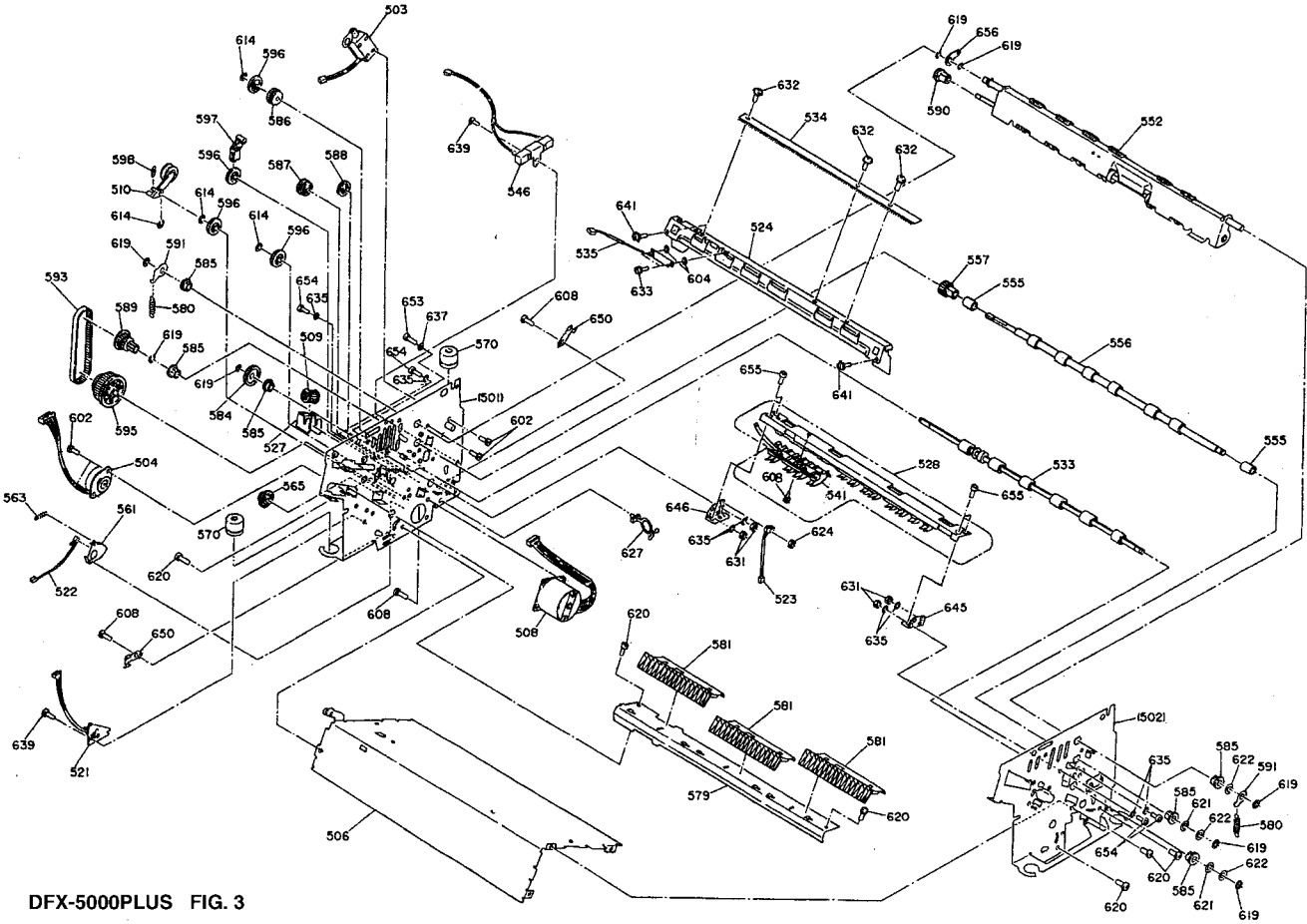
Page 7



DFX-5000PLUS FIG. 2

EPSON

DFX5000PLUS



DFX-5000PLUS FIG. 3