

EPSON FX2170

REF.	PART.NO.	DESCRIPTION	QTY	STANDARD
100	1025018	HOUSING ASSY. LOWER	1	
101	1025039	EDGE GUIDE ASSY. FRONT	1	
102	1025041	HOUSING UPPER	1	
103	1025027	COVER PRINTER REAR	1	
104	1025024	COVER ASSY. PRINTER	1	
105	1025034	COVER FRONT	1	
106	1025029	EDGE GUIDE ASSY. REAR	1	
107	1025043	COVER BOTTOM	1	
108	1025042	KNOB	1	
109	1025044	SHIELD PLATE	1	
110	1002045	COVER CONNECTOR UPPER	1	
111	1025668	SHIELD PLATE UPPER	1	
112	1005480	GROUNDING PLATE	4	
113	1025669	GROUNDING PLATE I/F	1	
114	1026336	STOPPER COVER FRONT	1	
115	1026337	COVER COMPRESSION SPRING	1	
116	1026338	HOLDER DETECTOR	1	
117	1006374	GUIDE I/F BOARD	1	
118	1026339	COMPRESSION SPRING 2.94	1	
119	2018967	DETECTOR ASSY. CASE OPEN	1	
120	1025943	LOGO PLATE	1	
121	B310206511	C.B.B. SCREW	4	M4X14
122	1006901	C.B.C-LAMITITE	4	M3X8
123	1009376	RIVET B-TITE (SCREW TYPE)	1	3X12 F/ZN
124	B310204311	C.B.B. SCREW	4	M3X8
125	B010350211	C.B.SCREW	1	M2X7
126	1025409	PRINTER MECH. MNTG SCREW	4	
127	B310204511	C.B.B. SCREW	9	M3X12
128	B300200111	C.B.S. SCREW	3	M3X4
129	B310206419	C.B.B. SCREW	1	M4X12
130	2020073	FERRITE CORE	1	
133	1002674	CBS-TITE SCREW	2	M3X12
137	1011863	GROUNDING PLATE I/F UPPER	1	
380	2018872	FAN	1	

EPSON

FX2170

Page 2 of 16

REF.	PART.NO.	DESCRIPTION	QTY	STANDARD
200	2018830	BOARD ASSY. MAIN	1	
IC3	2020543	EP-ROM	1	2M BIT
CN1	2020397	CONNECTOR 0-178042-1	1	36
CN10	2017936	CONNECTOR	1	4
CN11	2005108	CONNECTOR	1	5 PIN
CN12	X600440410	CONNECTOR	1	4 PIN
CN13	2017929	CONNECTOR	1	4
CN14	2011241	CONNECTOR	1	10 0MM
CN15	2017940	CONNECTOR	1	22
CN2	2007160	CONNECTOR	1	36PIN
CN3	2019114	CONNECTOR	1	10
CN4	X600440310	CONNECTOR	1	3 PIN
CN5	2007097	CONNECTOR	1	3
CN6	X600440120	CONNECTOR	1	2 PIN
CN7	2019111	CONNECTOR	1	4
CN8	2008494	CONNECTOR	1	18
CN9	2019112	CONNECTOR	1	16
CRU1	2013101	CERAMIC OSCILLATOR	1	14.74MHZ
C1-C3-C4	2002486	CHIP CAPACITOR	3	0.1UF DC25V +80% -20%
C10	X200561009	AL'UM. E'LYTIC. CAP.	1	10UF DC50V 20%
C12-C33	2002486	CHIP CAPACITOR	2	0.1UF DC25V +80% -20%
C13-C14	2011661	CHIP CAPACITOR	2	TP 39PF 50V +-5%
C15-C21	2002486	CHIP CAPACITOR	7	0.1UF DC25V +80% -20%
C2--C8-C22	X271124711	CHIP CAPACITOR	3	470PF 50V 10%
C23-C27	X271124711	CHIP CAPACITOR	2	470PF 50V 10%
C24-C25	2002500	CHIP CAPACITOR	2	TP 4700PF 50V +-1
C26	X200561019	AL'UM. E'LYTIC. CAP.	1	100UF 50V 20%
C28-C60	X271124711	CHIP CAPACITOR	2	470PF 50V 10%
C29-C30	X271122221	CHIP CAPACITOR	2	2200PF DC50V 10%
C31	2002486	CHIP CAPACITOR	1	0.1UF DC25V +80% -20%
C32	2006348	CHIP CAPACITOR	1	0.1UF 50V TP
C34-C37	2010653	CHIP CAPACITOR	4	470PF 220V 10%
C38-C59	2002486	CHIP CAPACITOR	2	0.1UF DC25V +80% -20%
C40-C42	2002486	CHIP CAPACITOR	3	0.1UF DC25V +80% -20%
C43-C58	X271121021	CHIP CERAMIC CAPACITOR	16	1000PF DC50V 10%
C5	2002487	CHIP CAPACITOR	1	0.01UF 50V 10%
C6-C7-C11	2002486	CHIP CAPACITOR	3	0.1UF DC25V +80% -20%
C9	X200561020	AL'UM. E'LYTIC. CAP.	1	BL 100 0UF 50V 20%
D1	2006214	SWITCHING DIODE	1	
D4-D7	2017977	DIODE	4	
IC1	2018877	CPU	1	
IC10	2009451	IC	1	SOP 4
IC11	2017973	HIC UDN2917EB-TR	1	
IC12	2000592	HYBRID IC	1	
IC2	2019659	GATE ARRAY	1	
IC3	X630113230	IC SOCKET	1	32 PIN
IC5	2018878	PSRAM	1	1M BIT
IC6	X422350329	TTL-IC	1	QUAD 2-INPUT PO. OR
IC8	2013161	EEPROM	1	1K BIT 8 PIN
IC9	X422350069	TTL-IC SN74LS06NS-TPL	1	
Q4	2011623	TRANSISTOR	1	50V 100MA 200MW 100 0
Q5-Q22	X302398709	TRANSISTOR	18	60+-10V 3A 2W
RM1-RM2	2007898	CHIP RESISTOR ARRAY	2	10K OHM 1/16W 5%
RM12-RM14	2009784	CHIP RESISTOR ARRAY	3	47 OHM 1/16W 5%
RM17-RM22-	2009784	CHIP RESISTOR ARRAY	6	47 OHM 1/16W 5%
RM26	2009784	CHIP RESISTOR ARRAY	1	47 OHM 1/16W 5%
RM27-RM28	2007897	CHIP RESISTOR ARRAY	2	3.3K OHM 1/16W 5%
RM29-RM30	2012538	RESISTOR ARRAY	2	
RM3-RM5	2007897	CHIP RESISTOR ARRAY	3	3.3K OHM 1/16W 5%

ESP0385/2

EPSON

FX2170

Page 3 of 16

REF.	PART.NO.	DESCRIPTION	QTY	STANDARD
RM31-RM32	2007898	CHIP RESISTOR ARRAY	2	10K OHM 1/16W 5%
RM6	2014643	CHIPRESISTOR ARRAY	1	TP 1.8KOHM 1/16W +-5%
RM7-RM11	2019104	CHIP RESISTOR ARRAY	5	TP 910 OHM 1/16W +-5%
R1	2008818	CHIP RESISTOR	1	TP 1.8KOHM 1/10W +-5%
R12-R38	2005570	CHIP RESISTOR	2	6.2K OHM 1/10W 5% TP
R2--R99	2005302	CHIP RESISTOR	2	3.9K OHM
R20	X193013312	CHIP RESISTOR	1	330 OHM 1/10W 5% TP
R27-R28	X193011032	CHIP RESISTOR ERJ-6GEYJ103V	2	10K OHM 1/10W 5%
R29-R32	X193012022	CHIP RESISTOR	4	2K OHM 1/10W 5%
R3	2006215	CHIP RESISTOR	1	180 OHM 1/10W 5%
R33	2019097	METAL OXIDE FILM RESISTOR	1	BL 470HM 1/2W +-5%
R35-R37	X193011032	CHIP RESISTOR ERJ-6GEYJ103V	3	10K OHM 1/10W 5%
R39	2013177	CHIP RESISTOR	1	TP 180OHM 1/4W +-5%
R4-R132	2001531	CHIP RESISTOR	2	3.3 OHM 1/10W 5%
R40-R43	X193011032	CHIP RESISTOR ERJ-6GEYJ103V	4	10K OHM 1/10W 5%
R44-R46	2005570	CHIP RESISTOR	3	6.2K OHM 1/10W 5% TP
R47-R61	X193011022	CHIP RESISTOR ERJ-6GEYJ102V	2	1K OHM 1/10W 5%
R48	2019103	METAL OXIDE FILM RESISTOR	1	BL 5.1KOHM 1/2W +-5%
R49	2007981	CHIP RESISTOR	1	3.32K OHM 1/10W 1%
R5-R8	X193011022	CHIP RESISTOR ERJ-6GEYJ102V	4	1K OHM 1/10W 5%
R50	2009184	CHIP RESISTOR	1	16K OHM 1/4W 0.5%
R51	2009183	CHIP RESISTOR	1	2K OHM 1/10W 0.5%
R52-R80	X193011032	CHIP RESISTOR ERJ-6GEYJ103V	2	10K OHM 1/10W 5%
R56	2019183	CHIP RESISTOR	1	TP 14.7KOHM 1/10W +-1%
R57	2006216	CHIP RESISTOR	1	1.69KOHM 1/10W 1%
R58	2008817	CHIP RESISTOR	1	1K OHM 1/10W 1%
R59-R60	2005470	CHIP RESISTOR	2	56K OHM 1/10W 5%
R62-R81	X193011022	CHIP RESISTOR ERJ-6GEYJ102V	2	1K OHM 1/10W 5%
R63--R64	2019185	METAL OXIDE FILM RESISTOR	2	BL 0.56OHM 1/2W +-2%
R65-R66	2001538	CHIP RESISTOR	2	47K OHM 1/10W 5%
R67-R68	2001530	CHIP RESISTOR	2	2.4K OHM 1/10W 5%
R69-R70	X120220686	METAL OXIDE FILM RESISTOR	2	0.68 OHM 2W 5%
R71	2013179	CHIP RESISTOR	1	TP 1.05KOHM 1/10W +-1%
R72	2006341	CHIP RESISTOR	1	TP 5.76KOHM 1/10W +-1%
R73	2007896	CHIP RESISTOR	1	TP 4.42KOHM 1/10W +-1%
R74	2007905	CHIP RESISTOR	1	TP 1.24KOHM 1/10W +-1%
R75	2004296	CHIP RESISTOR	1	TP 787OHM 1/10W +-1%
R76	2019102	CHIP RESISTOR	1	TP 127OHM 1/10W +-1%
R77-R79	2001535	CHIP RESISTOR	2	15K OHM 1/10W 5%
R78-R82	2001521	CHIP RESISTOR	2	200 OHM 1/10W 5%
R87	2001520	CHIP RESISTOR	1	100 OHM 1/10W 5%
R90-R86	2001517	CHIP RESISTOR	2	47 OHM 1/10W 5%
R96-R98	X193011032	CHIP RESISTOR ERJ-6GEYJ103V	3	10K OHM 1/10W 5%
ZD1	X330160109	ZENER DIODE	1	4.7 +-0.05V 0.15A 0.4A
450	2018829	BOARD ASSY. PANEL	1	
300	2020932	BOARD ASSY. POWER SUPPLY	1	FOR UK
CN1	2000295	CONNECTOR	1	2 PIN
CN2	2018864	HARNESS	1	
CN3	X600440120	CONNECTOR	1	2 PIN
C1	2001138	FILM CAPACITOR	1	0.22UF 250V 20%
C11	2001081	ELECTROLYTIC CAPACITOR	1	820UF 200V 20%
C12	2018996	AL'UM. ELYTIC. CAP.	1	TP 220UF 35V +-20%
C13	2003140	FILM CAPACITOR	1	4700PF 50V 5%
C14	2001087	PLASTIC FILM CAPACITOR	1	2200PF 50V 5%
C15	2019000	FILM CAPACITOR	1	BL 1500PF 1.2KV +-5%
C2	X234511044	CERAMIC CAPACITOR	1	0.1UF 250V 20%
C3-C4	2005087	CERAMIC CAPACITOR	2	BL 4700PF 0V +-20%
C31-C81	X220222220	CERAMIC CAPACITOR	2	2200PF DC50V 10%
C51-C52	2003131	AL'UM. ELYTIC. CAP.	2	2200UF 50V 20%

ESP0385/3

EPSON

FX2170

Page 4 of 16

REF.	PART.NO.	DESCRIPTION	QTY	STANDARD
C54	2005190	ELECTROLYTIC CAPACITOR	1	1000UF 6.3V 20%
C55	X236104010	FILM CAPACITOR	1	0.1UF 50V 5%
C56	2011481	ALUM. ELYTIC. CAP.	1	TP 33UF 16V +-20%
C57	2003109	ALUM. ELYTIC. CAP.	1	470UF 6.3V 20%
C58	2003142	FILM CAPACITOR	1	0.01UF 50V 5%
C59	X220223310	CERAMIC CAPACITOR	1	330PF DC50V 10%
C8	2011121	CERAMIC CAPACITOR	1	BL 2200PF 250V +-20%
C82	X224221031	CERAMIC CAPACITOR	1	0.01UF DC50V +80-20%
DB1	2018998	DIODE BRIDGE	1	600V 4A 0W
D1	2013050	DIODE	1	
D2	X320011449	DIODE	1	40V 0.6A 0.2W
D51	1013213	HEAT SINK	1	
D51	2011510	DIODE	1	100V 5 0W
D52	2004284	DIODE	1	200V 0.5A 0W
D55	2019126	DIODE	1	
D81-D86	X320011201	DIODE	6	SI 60V 150MA
F1	X502100100	FUSE HOLDER	1	
F1	2012329	FUSE	1	125V 3.15A UL-L;
IC1	2001638	VOLTAGE REGULATOR	1	
IC51	X440034940	LINEAR IC	1	BIPOLAR SWREG DIP
IC52	X440072920	IC	1	BIPOLAR DUAL COMPARATOR
L1	2019996	CHOKE COIL	1	5.6MH 1.4A
L51	2019837	CHOKE COIL	1	470UH 700MA
PC1	X350040081	PHOTO COUPLER	1	35V 500MA 100MW
Q1	X520000160	HEAT SINK	1	
Q1	2011115	FET	1	500V 5A
Q1-D51	B300204311	C.B.S. SCREW	2	M3X8
Q2	2000623	TRANSISTOR	1	50V 2A 900MW
Q3-Q53	X300101589	TRANSISTOR	2	PNP 50V 150MA 400MW
Q31	2018987	FET	1	30V 1A 1W
Q32	2018986	TRANSISTOR	1	50V 100MA 0W 56 0
Q51	X300168009	TRANSISTOR	1	PNP 50V 2A 900MW
Q54	X302181589	TRANSISTOR	1	NPN 50V 150MA 400MW
Q55	2018985	TRANSISTOR	1	50V 100MA 0W 0 0
Q81-Q82	2018984	TRANSISTOR	2	50V 100MA 0W 0 0
R1	2011119	CARBON FILM RESISTOR	1	TP 1MOHM 1/2W +-5%
R11	X155416212	CARBON FILM RESISTOR	1	620 OHM 1/4W 5%
R12	2003106	METAL FILM RESISTOR	1	0.39 OHM 2W 5%
R13-R21	X155414722	CARBON FILM RESISTOR	2	4.7K OHM
R14	X155415112	CARBON FILM RESISTOR	1	510 OHM 1/4W 5%
R15	X155411212	CARBON FILM RESISTOR	1	120 OHM 1/4W 5%
R16-R57	X155412712	CARBON FILM RESISTOR	2	270 OHM 1/4W 5%
R18	2011471	CARBON FILM RESISTOR	1	TP 150KOHM 1/2W +-5%
R19-R32	X155412032	CARBON FILM RESISTOR	2	20K OHM 1/4W 5%
R20-R64	X155412422	CARBON FILM RESISTOR	2	2.4K OHM 1/4W 5%
R22--R29	2012560	CARBON FILM RESISTOR	2	TP 1.2MOHM 1/2W +-5%
R31-R68	X155411032	CARBON FILM RESISTOR	2	10K OHM 1/4W 5%
R51	2003105	METAL OXIDE FILM RESISTOR	1	470 OHM 2W 5%
R53-R88	X155410102	CARBON FILM RESISTOR	2	1 OHM 1/4W 5%
R54-R82	X155412022	CARBON FILM RESISTOR	2	2K OHM 1/4W 5%
R55-R65	X155412032	CARBON FILM RESISTOR	2	20K OHM 1/4W 5%
R56	X155411512	CARBON FILM RESISTOR	1	150 OHM 1/4W 5%
R58-R66	X155412042	CARBON FILM RESISTOR	2	200K OHM 1/4W 5%
R59	X143194751	H/S M/FILM RES.	1	4.75K OHM 1/4W 1%
R60	X155414722	CARBON FILM RESISTOR	1	4.7K OHM
R61	X155413012	CARBON FILM RESISTOR	1	300 OHM 1/4W 5%
R63-R87	X155413622	CARBON FILM RESISTOR	2	3.6K OHM 1/4W 5%
R67	X155413022	CARBON FILM RESISTOR	1	3K OHM 1/4W 5%
R69-R71	X155411522	CARBON FILM RESISTOR	2	1.5K OHM 1/4W 5%

ESP0385/4

EPSON

FX2170

Page 5 of 16

REF.	PART.NO.	DESCRIPTION	QTY	STANDARD
R70-R74	X155411032	CARBON FILM RESISTOR	2	10K OHM 1/4W 5%
R72	X155416222	CARBON FILM RESISTOR	1	6.2K OHM 1/4W 5%
R73-R89	X155411222	CARBON FILM RESISTOR	2	1.2K OHM 1/4W 5%
R75	X155412722	CARBON FILM RESISTOR	1	2.7K OHM 1/4W 5%
R81	X143198452	H/S M/FILM RES.	1	84.5KOHM 1/4W 1%
R83	X155415132	CARBON FILM RESISTOR	1	51K OHM 1/4W 5%
R84-R85	X155412032	CARBON FILM RESISTOR	2	20K OHM 1/4W 5%
R86	X155412742	CARBON FILM RESISTOR	1	270K OHM 1/4W 5%
R90	X155411222	CARBON FILM RESISTOR	1	1.2K OHM 1/4W 5%
R91	X155410102	CARBON FILM RESISTOR	1	1 OHM 1/4W 5%
TH1	2019006	THERMISTOR	1	
T1	2019020	TRANSFORMER	1	
ZD51-ZD54	2011463	ZENER DIODE	2	150MA 400MW 6.9V 7.2V
ZD52-ZD87	2018990	ZENER DIODE	2	
ZD53-ZD86	2011464	ZENER DIODE	2	150MA 400W 6.9V 7.2V
ZD55	2004320	ZENER DIODE	1	150MA 400MW 5.2W 5.5V
ZD81-ZD85	2011463	ZENER DIODE	5	150MA 400MW 6.9V 7.2V
CN1	2000295	CONNECTOR	1	2 PIN
CN2	2018864	HARNESS	1	
CN3	X600440120	CONNECTOR	1	2 PIN
C1	2001137	FILM CAPACITOR	1	0.47UF 250V 20%
C11	2019129	AL'UM. E'LYTIC. CAP.	1	BL 400UF 180V +-20%
C12	2018996	AL'UM. E'LYTIC. CAP.	1	TP 220UF 35V +-20%
C13	2003140	FILM CAPACITOR	1	4700PF 50V 5%
C14	2001087	PLASTIC FILM CAPACITOR	1	2200PF 50V 5%
C15	2019005	FILM CAPACITOR	1	BL 750PF 1.5KV +5%
C2	X234511044	CERAMIC CAPACITOR	1	0.1UF 250V 20%
C3-C4-C8	2011121	CERAMIC CAPACITOR	3	BL 220 0PF 250V +-20%
C31-C81	X220222220	CERAMIC CAPACITOR	2	2200PF DC50V 10%
C51--C52	2003131	AL'UM. E'LYTIC. CAP.	2	2200UF 50V 20%
C54	2005190	ELECTROLYTIC CAPACITOR	1	1000UF 6.3V 20%
C55	X236104010	FILM CAPACITOR	1	0.1UF 50V 5%
C56	2011481	AL'UM. E'LYTIC. CAP.	1	TP 33UF 16V +-20%
C57	2003109	AL'UM. E'LYTIC. CAP.	1	470UF 6.3V 20%
C58	2003142	FILM CAPACITOR	1	0.01UF 50V 5%
C59	X220223310	CERAMIC CAPACITOR	1	330PF DC50V 10%
C82	X224221031	CERAMIC CAPACITOR	1	0.01UF DC50V +80-20%
DB1	2010688	DIODE BRIDGE	1	
D1	2013050	DIODE	1	
D2	X320011449	DIODE	1	40V 0.6A 0.2W
D51	1013213	HEAT SINK	1	
D51	2011510	DIODE	1	100V 5A 0W
D52	2004284	DIODE	1	200V 0.5A 0W
D55	2019126	DIODE	1	
D81-D86	X320011201	DIODE	6	SI 60V 150MA
F1	X502100100	FUSE HOLDER	2	
F1	2019130	FUSE	1	250V 2A
IC1	2001638	VOLTAGE REGULATOR	1	
IC51	X440034940	LINEAR IC	1	BIPOLAR SWREG DIP
IC52	X440072920	IC	1	BIPOLAR DUAL COMPARATOR
L1	2019131	CHOKE COIL	1	15MH 800MA
L51	2019837	CHOKE COIL	1	470UH 700MA
PC1	2013130	PHOTO COUPLER	1	0V 0A 0W
Q1	X520000160	HEAT SINK	1	
Q1	2019003	FET	1	900V 3A 0W
Q1-D51	B300204311	C.B.S. SCREW	2	M3X8
Q2	2000623	TRANSISTOR	1	50V 2A 900MW
Q3-Q53	X300101589	TRANSISTOR	2	PNP 50V 150MA 400MW
Q31	2018987	FET	1	30V 1A 1W

ESP0385/5

EPSON

FX2170

Page 6 of 16

REF.	PART.NO.	DESCRIPTION	QTY	STANDARD
Q32	2018986	TRANSISTOR	1	50V 100MA 0W 56 0
Q51	X300168009	TRANSISTOR	1	PNP 50V 2A 900MW
Q54	X302181589	TRANSISTOR	1	NPN 50V 150MA 400MW
Q55	2018985	TRANSISTOR	1	50V 100MA 0W 0 0
Q81-Q82	2018984	TRANSISTOR	2	50V 100MA 0W 0 0
R1	2011119	CARBON FILM RESISTOR	1	TP 1MOHM 1/2W +-5%
R11	X155411022	CARBON FILM RESISTOR	1	1K OHM 1/4W 5%
R12	X120220626	METAL OXIDE FILM RESISTOR	1	0.62 OHM 2W 5%
R13-R21	X155414722	CARBON FILM RESISTOR	2	4.7K OHM
R14	X155415112	CARBON FILM RESISTOR	1	510 OHM 1/4W 5%
R15	X155411212	CARBON FILM RESISTOR	1	120 OHM 1/4W 5%
R16-R57	X155412712	CARBON FILM RESISTOR	2	270 OHM 1/4W 5%
R18-R28	2011471	CARBON FILM RESISTOR	2	TP 150KOHM 1/2W +-5%
R19-R32	X155412032	CARBON FILM RESISTOR	2	20K OHM 1/4W 5%
R20-R64	X155412422	CARBON FILM RESISTOR	2	2.4K OHM 1/4W 5%
R22-R29	2012559	CARBON FILM RESISTOR	2	TP 1.1MOHM 1/2W +-5%
R31-R68	X155411032	CARBON FILM RESISTOR	2	10K OHM 1/4W 5%
R51	2003105	METAL OXIDE FILM RESISTOR	1	470 OHM 2W 5%
R53-R88	X155410102	CARBON FILM RESISTOR	2	1 OHM 1/4W 5%
R54-R82	X155412022	CARBON FILM RESISTOR	2	2K OHM 1/4W 5%
R55-R65	X155412032	CARBON FILM RESISTOR	2	20K OHM 1/4W 5%
R56	X155411512	CARBON FILM RESISTOR	1	150 OHM 1/4W 5%
R58-R66	X155412042	CARBON FILM RESISTOR	2	200K OHM 1/4W 5%
R59	X143194751	H/S M/FILM RES.	1	4.75K OHM 1/4W 1%
R60	X155414722	CARBON FILM RESISTOR	1	4.7K OHM
R61	X155413012	CARBON FILM RESISTOR	1	300 OHM 1/4W 5%
R63-R87	X155413622	CARBON FILM RESISTOR	2	3.6K OHM 1/4W 5%
R67	X155413022	CARBON FILM RESISTOR	1	3K OHM 1/4W 5%
R69-R71	X155411522	CARBON FILM RESISTOR	2	1.5K OHM 1/4W 5%
R70-R74	X155411032	CARBON FILM RESISTOR	2	10K OHM 1/4W 5%
R72	X155416222	CARBON FILM RESISTOR	1	6.2K OHM 1/4W 5%
R73-R89	X155411222	CARBON FILM RESISTOR	2	1.2K OHM 1/4W 5%
R75	X155412722	CARBON FILM RESISTOR	1	2.7K OHM 1/4W 5%
R81	X143198452	H/S M/FILM RES.	1	84.5KOHM 1/4W 1%
R83	X155415132	CARBON FILM RESISTOR	1	51K OHM 1/4W 5%
R84-R85	X155412032	CARBON FILM RESISTOR	2	20K OHM 1/4W 5%
R86	X155412742	CARBON FILM RESISTOR	1	270K OHM 1/4W 5%
R90	X155411222	CARBON FILM RESISTOR	1	1.2K OHM 1/4W 5%
R91	X155410102	CARBON FILM RESISTOR	1	1 OHM 1/4W 5%
TH1--TH2	2019006	THERMISTOR	2	
T1	2019021	TRANSFORMER	1	
ZD51-ZD54	2011463	ZENER DIODE	2	150MA 400MW 6.9V 7.2V
ZD52-ZD87	2018990	ZENER DIODE	2	
ZD53-ZD86	2011464	ZENER DIODE	2	150MA 400W 6.9V 7.2V
ZD55	2004320	ZENER DIODE	1	150MA 400MW 5.2W 5.5V
ZD81-ZD85	2011463	ZENER DIODE	5	150MA 400MW 6.9V 7.2V
330	2018862	HARNESS	1	
400	2002364	PWR CABLE (VD31303SA-10A)	1	230V
400	2002365	PWR CABLE VD00303SA-10A	1	220V
400	2006741	PWR CABLE (BS31303SA-SR-10A)	1	240V
400	2008768	POWER CABLE	1	220V
400	2010468	AC CABLE	1	240V
400	2018866	POWER CABLE ASSY	1	
500	2020580	PRINTER MECH. (ASP)	1	M-3H60-100
501	1025190	FRAME ASSY. RIGHT	1	
502	1025376	FRAME ASSY. LEFT	1	
503	2019033	MOTOR CR	1	
504	1025199	RD ASSY.	1	
511	2019040	MOTOR PAPER FEED	1	

ESP0385/6

EPSON

FX2170

Page 7 of 16

REF.	PART.NO.	DESCRIPTION	QTY	STANDARD
521	2019039	HARNESS PG	1	
522	2003028	DETECTOR HP	1	
523	2019016	HARNESS HP	1	
524	2014328	CONNECTOR SWITCH;B	4	
525	1025321	PAPER GUIDE	1	
526	1025322	SHAFT RELEASE	1	
527	2019010	HARNESS PE FRONT	1	
528	2019009	HARNESS PE REAR	1	
529	1025324	LEVER PE SUPPORT	1	
530	2019011	DETECTOR PE FRONT	1	0V 0A 0W
531	1005727	DETECTOR ASSY. REAR	1	
532	1005213	ROLLER PF DRIVEN LOWER	5	
533	1025249	ROLLER ASSY. PAPER FEED	5	
534	1005215	EXTENSION SPRING 70	5	
535	1025363	COMPRESSION SPRING 10.8	5	
536	1025192	CARRIAGE ASSY.	1	
538	1025344	COVER CR	1	
539	1025348	BUSHING 14	1	
541	1025246	TRACTOR ASSY. REAR	1	
542	1025293	TRACTOR LEFT	2	
543	1025294	TRACTOR RIGHT	2	
544	1025291	SHAFT TR DRIVE	2	
545	1025292	SHAFT TR GUIDE	2	
546	1025287	FRAME TR LEFT	1	
547	1025288	FRAME TR RIGHT	1	
548	1025289	LEVER TR LEFT REAR	1	
549	1025290	LEVER TR RIGHT REAR	1	
550	1025296	PAPER SUPPORT	2	
551	1025295	SPUR GEAR 20	4	
552	1025350	EXTENSION SPRING 15.7	1	
555	1025248	PAPER EJECT ASSY.	1	
556	1025301	COVER PAPER EJECT	1	
557	1025304	FRAME PAPER EJECT BASE	1	
558	1025302	FRAME PAPER EJECT LEFT	1	
559	1025303	FRAME PAPER EJECT RIGHT	1	
560	1025306	ROLLER PAPER EJECT DRIVEN	5	
561	1025310	SPUR GEAR 15	1	
562	1005245	SPUR GEAR 18	1	
564	1025305	ROLLER PAPER EJECT DRIVE	1	
565	1025203	ROLLER ASSY. PF DRIVE	1	
566	1025334	HOLDER HEAD CABLE	1	
567	2019013	CABLE HEAD LOWER	1	
568	2019014	CABLE HEAD UPPER	1	
569	1025355	BUSHING 8 LEFT	1	
570	1025284	PLATEN	1	
571	F334005250	PLATEN GEAR	1	
572	1025285	BUSHING 8 RIGHT	1	
573	1025351	COVER PLATEN	1	
574	2018904	DETECTOR ASSY. PW	1	
575	1025345	RIBBON MASK	1	
576	1025352	PAPER GUIDE SUPPORT	1	
578	1025326	FRAME REAR	1	
579	1025327	FRAME FRONT	1	
580	1025328	FRAME SUB RIGHT	1	
581	1025329	SHAFT CR GUIDE REAR	1	
582	1025330	SHAFT CR GUIDE FRONT	1	
583	1025331	BUSHING PARALLEL ADJUST	1	
584	1025332	LEVER GAP ADJUST	1	
585	1025333	CAP LEVER	1	

ESP0385/7

EPSON

FX2170

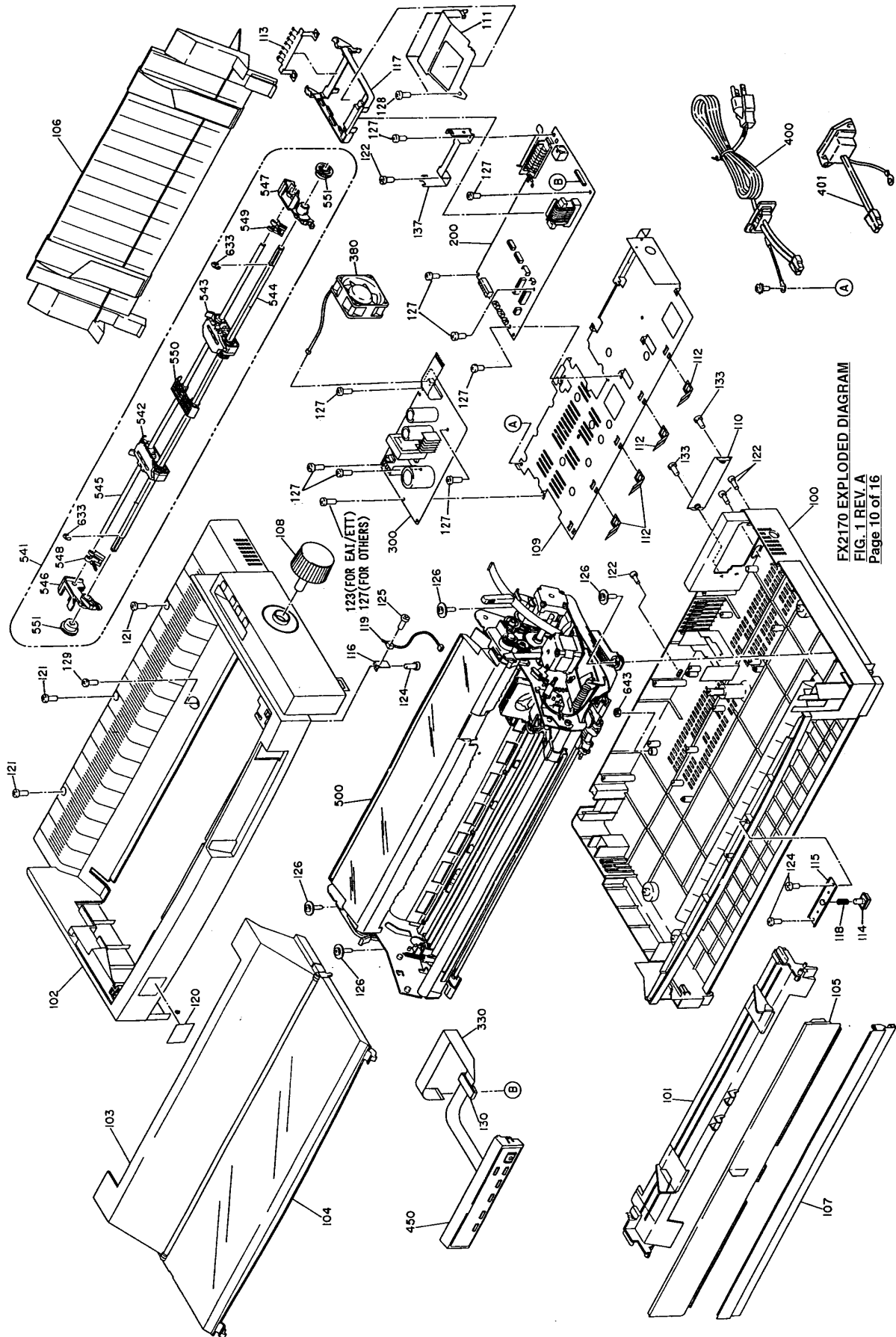
Page 8 of 16

REF.	PART.NO.	DESCRIPTION	QTY	STANDARD
586	1025374	SHEET RELEASE CAP	1	
587	1025349	MOUNTING PLATE MOTOR CR	1	
588	1025346	HOLDER RIBBON MASK	1	
589	1027101	OIL PAD LOWER	2	
590	1025361	LEVER RELEASE	1	
591	1005220	CAM CLUTCH TRACTOR	1	
592	1025335	BASE RUBBER	4	
593	1008716	COMBINATION GEAR 31 5 8	1	
594	1005224	SPUR GEAR 27	1	
595	1005225	SPUR GEAR 34.5	2	
596	1005226	SPUR GEAR 34	1	
597	B101253990	LEAF SPRING	1	8.2X0.25X15
597	1025279	SPUR GEAR 25	1	
598	1005218	INTERMEDIATE GEAR	1	
599	1025353	PAPER GUIDE MIDDLE	1	
600	1025354	PAPER GUIDE FRONT	1	
601	1005232	COMPRESSION SPRING 200	2	
602	1025360	SPUR GEAR 21	1	
603	1005844	LEVER RELEASE TRANSMISSION	1	
604	1025347	OIL PAD	2	
605	1025343	HOLDER DETECTOR PG	1	
606	1025364	LEVER RELEASE DETECTOR	1	
607	1025375	GROUNDING PLATE PG MIDDLE	1	
608	1026439	SHEET RELEASE CAP SUB	1	
609	1026551	HOLDER CABLE	1	
610	1026620	COVER DRIVEN PULLEY	1	
611	B010303411	C.B.SCREW	2	M3X8
612	1025311	GROUNDING PLATE PR EJECT	1	
613	1005416	SHAFT MOUNT CR	2	
614	B010302211	C.B.SCREW	1	M2.5X5
617	1025356	LEAF SPRING CR	1	
620	1025323	LEVER DETECTOR PE REAR	1	
621	1025247	TRACTOR ASSY. FRONT	1	
622	1025287	FRAME TR LEFT	1	
623	1025288	FRAME TR RIGHT	1	
624	1025299	LEVER TR LEFT FRONT	1	
625	1025300	LEVER TR RIGHT FRONT	1	
626	1025325	TORSION SPRING 0.26	1	
627	1025307	HOLDER PAPER EJECT DRIVEN	5	
628	1025309	COMPRESSION SPRING 1.08	5	
629	1025308	HOLDER PAPER EJECT SPRING	5	
630	2019015	CABLE DETECTOR	1	
631	2019030	HARNESS RE	1	
632	1026741	GUIDE PAPER EJECT	1	
633	B150300911	RETAINING RING	2	TYPE-E (6)
634	1001856	SPRING PIN	1	2X12
635	B302704211	C.P.S.P.S. SCREW	4	M3X6
636	B300204211	C.B.S. SCREW	9	M3X6
637	B100166012	PLAIN WASHER	3	8X0.5X15
638	B160101412	RETAINING RING	5	TYPE-C
639	1006901	C.B.C-LAMITITE	2	M3X8
640	B010303311	C.B.SCREW	2	M3X6
641	B300204311	C.B.S. SCREW	3	M3X8
642	1019830	C.F.P-TITE SCREW 2.6X8 F/ZN	5	
643	B070200411	HEXAGON NUT	3	M4
644	B300204411	C.B.S. SCREW	2	M3X10
650	F051000	PRINT HEAD DH18-0B0	1	

ESP0385/8

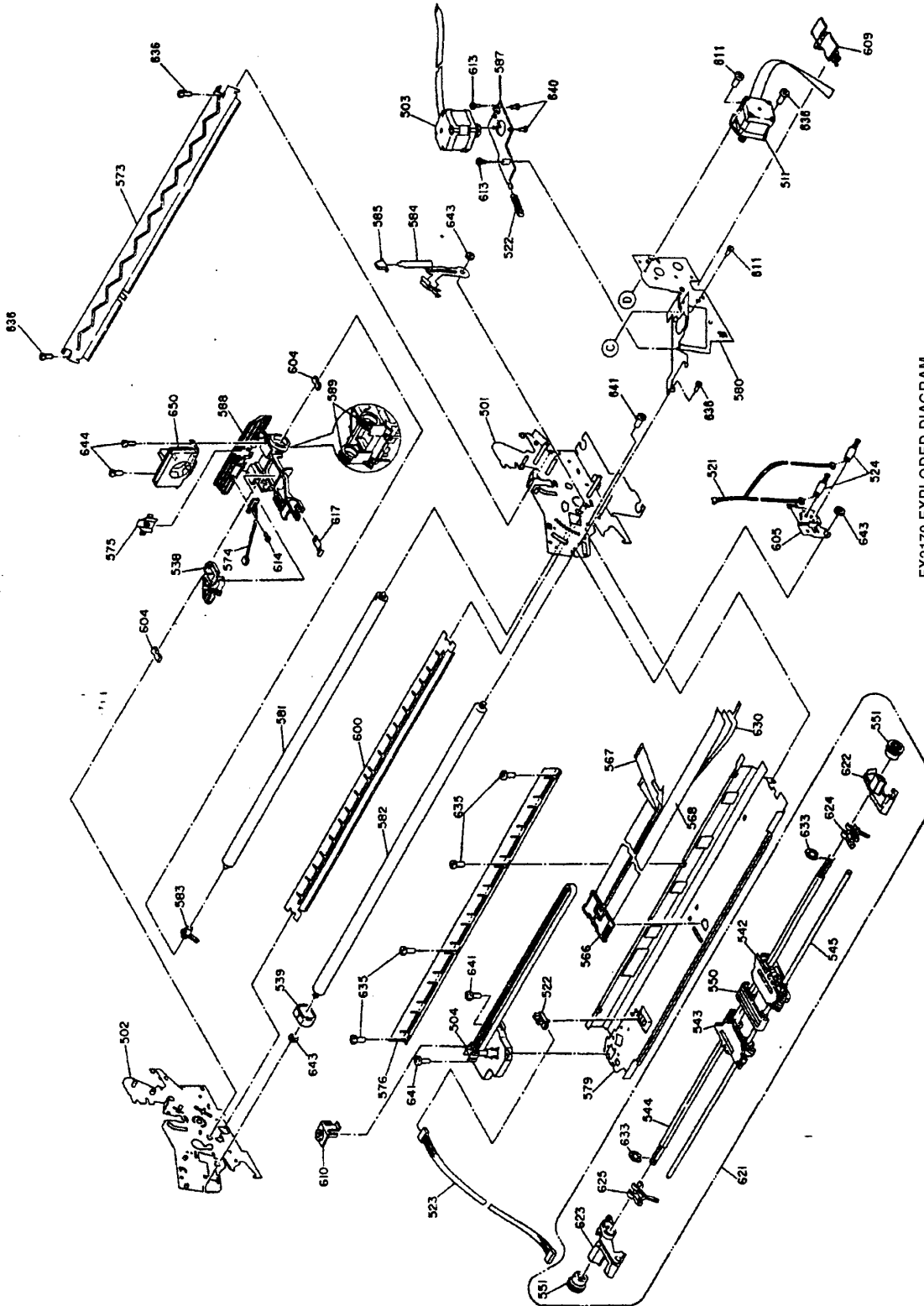
EPSON FX2170

Page 10 of 16



EPSON FX2170

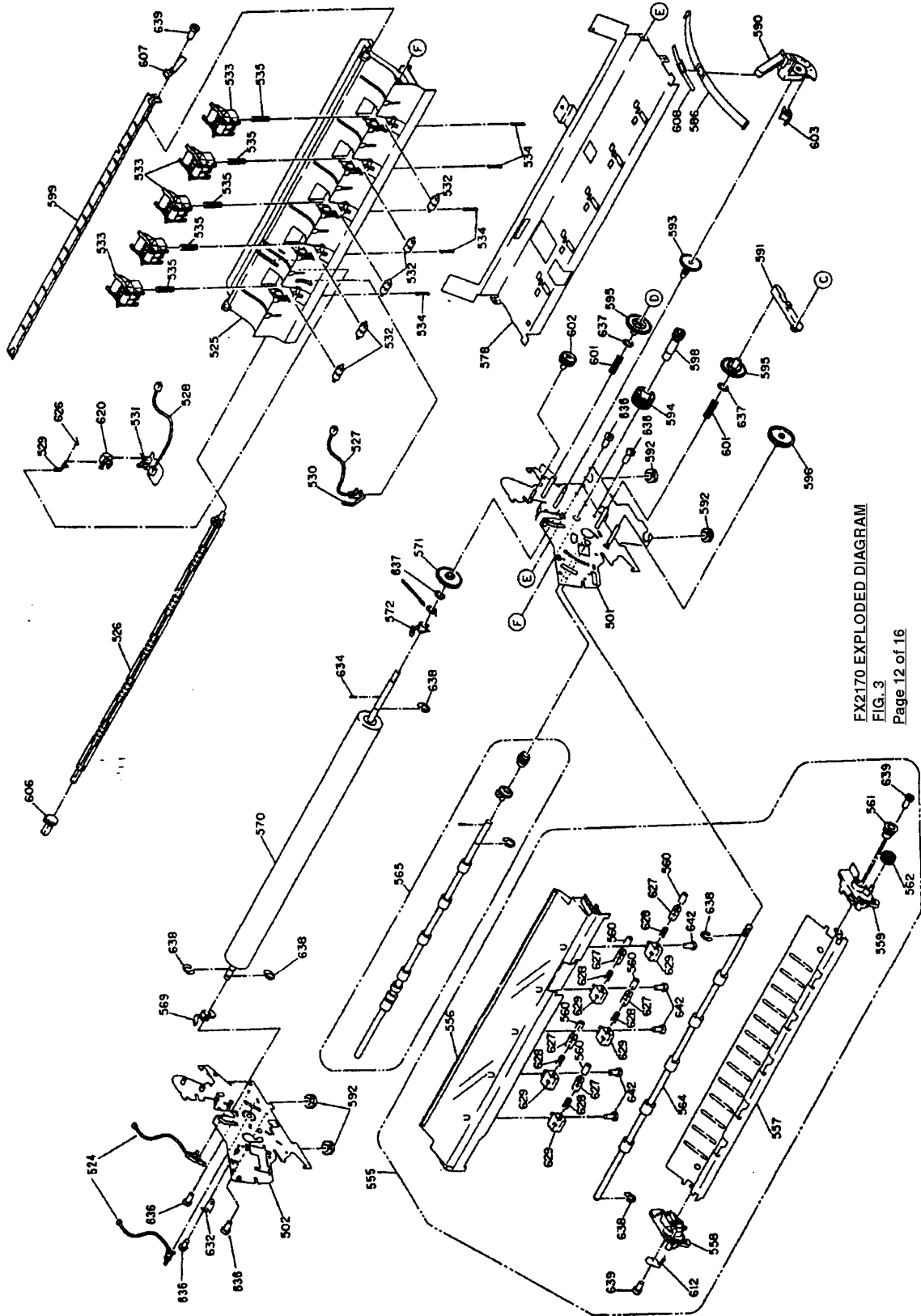
Page 11 of 16



FX2170 EXPLODED DIAGRAM
FIG. 2
Page 11 of 16

EPSON FX2170

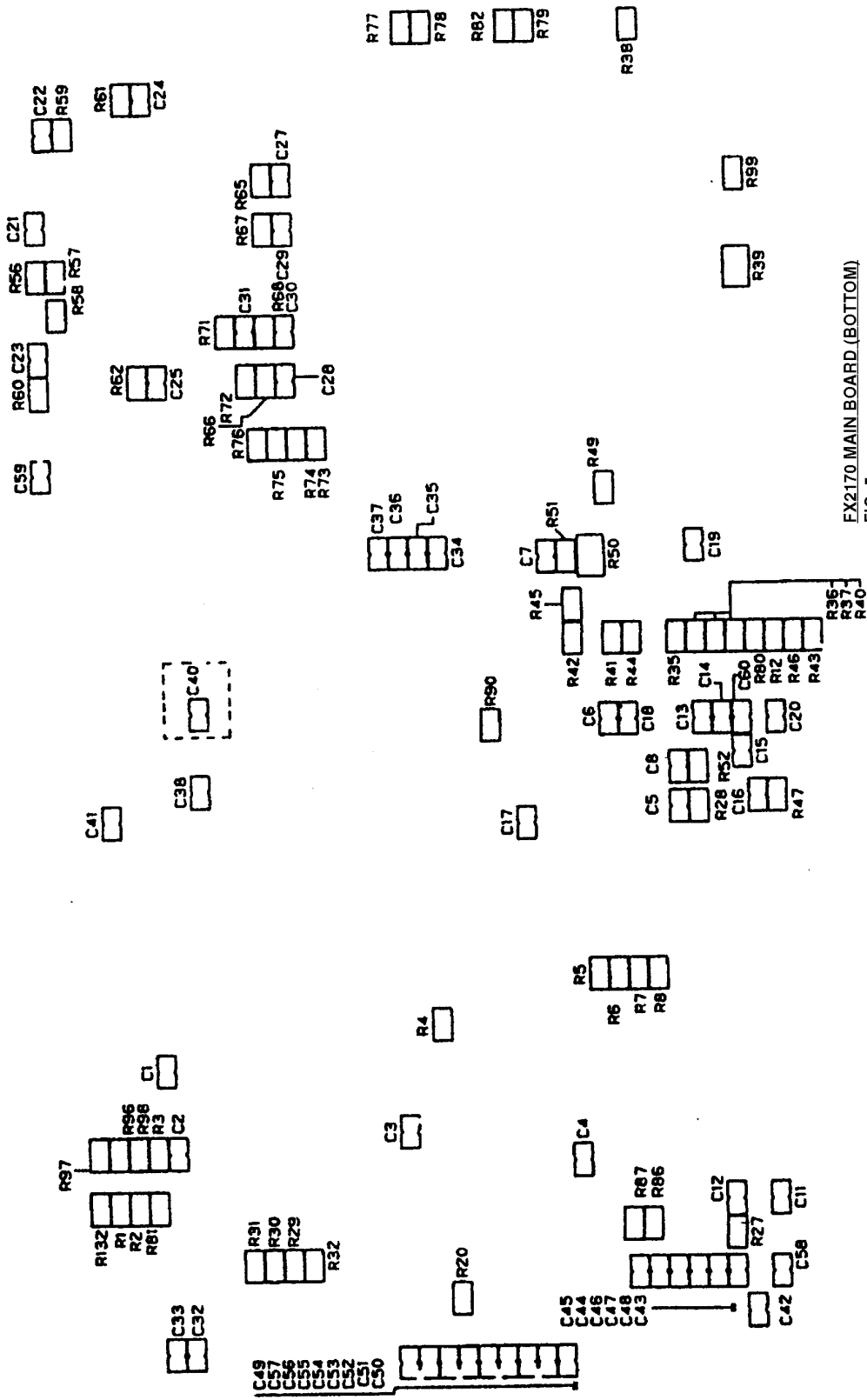
Page 12 of 16



FX2170 EXPLODED DIAGRAM
FIG. 3
Page 12 of 16

EPSON FX2170

Page 13 of 16



FX2170 MAIN BOARD (BOTTOM)
FIG. 5
Page 13 of 16



EPSON FX2170

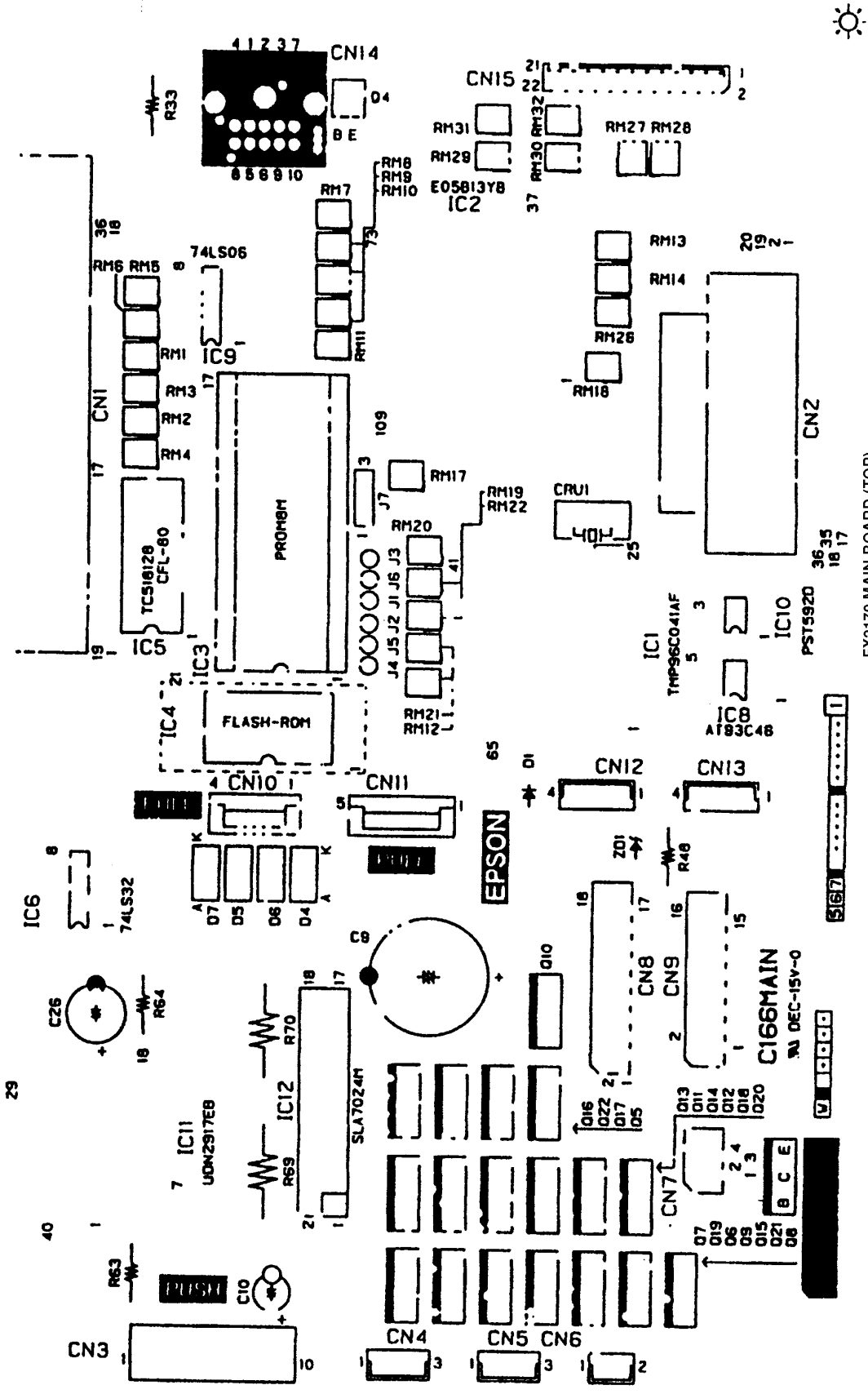
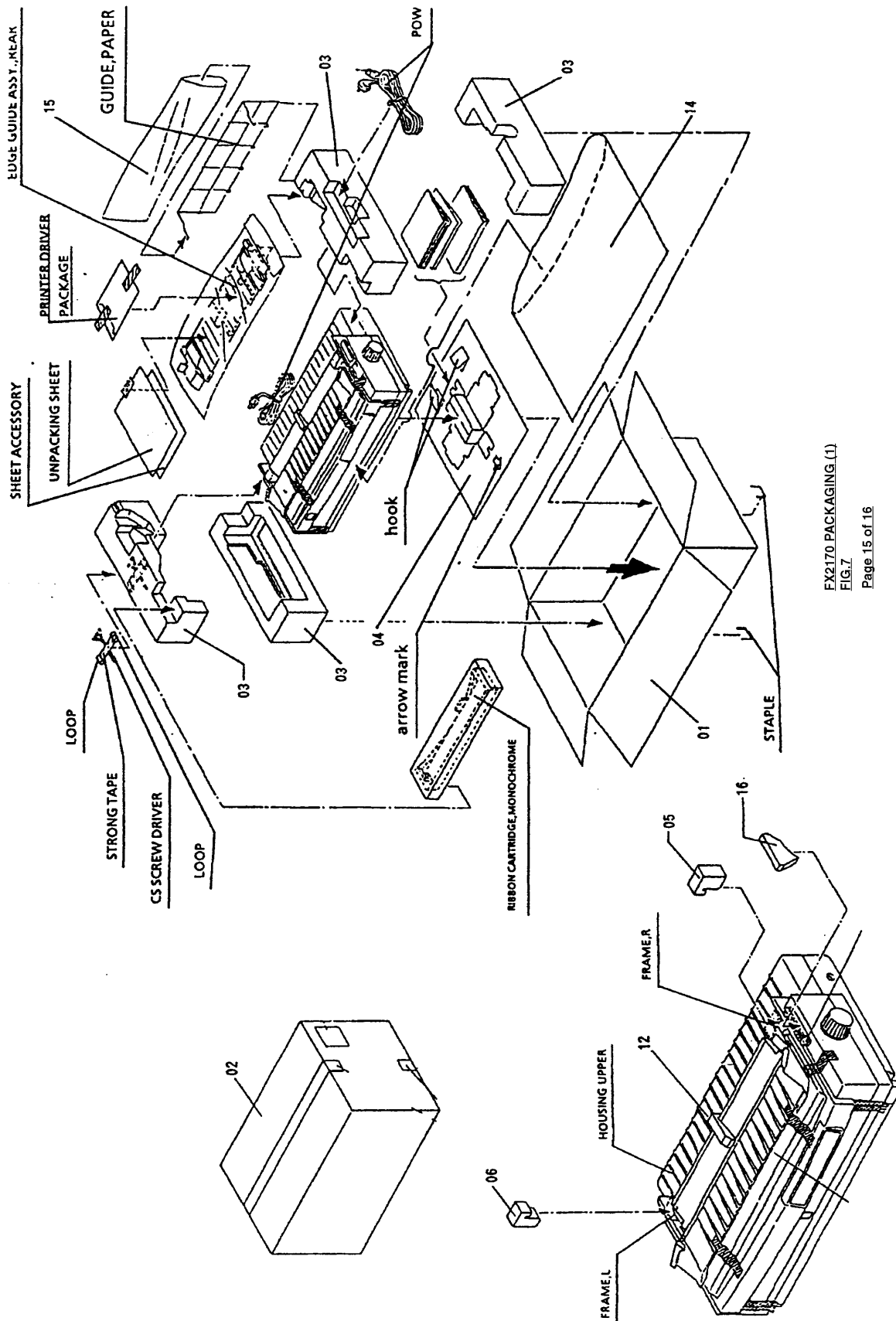


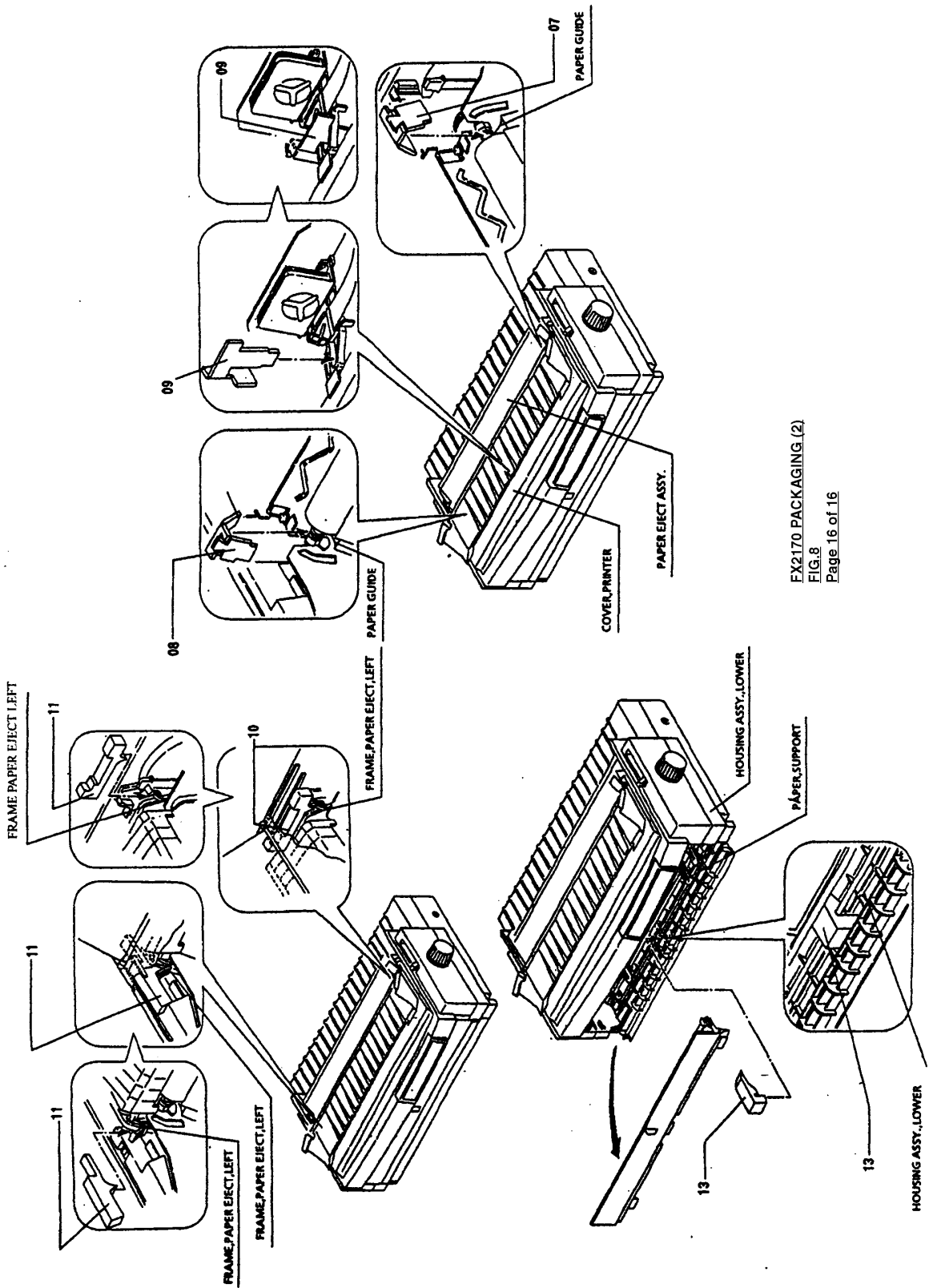
FIG. 6
Page 14 of 16

EPSON FX2170

Page 15 of 16



FX2170 PACKAGING (1)
FIG.7
Page 15 of 16



FX2170 PACKAGING (2)

FIG. 8

EPSON

SPARES AND SERVICE

You may copy short extracts from this document for identification purposes only. Complete sections can be purchased from Epson (UK) Ltd., spares wholesalers.

Ensure that the full part number is quoted in all communications with Epson and all Epson appointed wholesalers.

If a list is found to be inaccurate please contact in writing:

**The Spares Department
Epson (UK) Ltd.
Campus 100**

**Maylands Avenue
Hemel Hempstead
Herts.
HP2 7EZ**

Fax (01442) 227324

© EPSON (UK) LTD. 1990

SPARES GUIDES SHOWING PRICES (R.R.P)

Prices shown are those in force at time of printing and are therefore to be taken only as a guide. Prices will be amended from time to time in accordance with Epson pricing policy.

DEC.'96

E&OE