

**NB: PART NO. RATIONALISATION –10 digit part nos. in brackets are the old numbers for otherwise identical items**

## LQ-2070

Page 1

REF	PART NO	DESCRIPTION	SPEC	Qty
100	1025018	HOUSING ASSY.,LOWER		1
100	1039455	HOUSING ASSY.,LOWER;W	EPSON COOL WHITE	1
101	1025039	COVER,FRONT		1
101	1039403	COVER,FRONT;W	EPSON COOL WHITE	1
102	1028345	HOUSING,UPPER		1
102	1039396	HOUSING,UPPER;W	EPSON COOL WHITE	1
103	1028340	COVER,PRINTER,REAR		1
104	1028579	COVER ASSY.,PRINTER		1
105	1025034	EDGE GUIDE ASSY.,FRONT		1
105	1039456	EDGE GUIDE ASSY.,FRONT;W	EPSON COOL WHITE	1
106	1028580	EDGE GUIDE ASSY.,REAR		1
106	1039499	EDGE GUIDE ASSY.,REAR	EPSON COOL WHITE	1
107	1025043	COVER,BOTTOM		1
107	1039404	COVER,BOTTOM;W	EPSON COOL WHITE	1
108	1028342	KNOB		1
108	1039405	KNOB	EPSON COOL WHITE	1
109	1025044	SHIELD PLATE		1
110	1002045	COVER,CONNECTOR,UPPER		1
110	1037223	COVER,CONNECTOR,UPPER	EPSON COOL WHITE	1
111	1026742	SHIELD PLATE,UPPER E		1
112	1005480	GROUNDING PLATE		4
113	1025669	GROUNDING PLATE,I/F		1
114	1026336	STOPPER,COVER,FRONT		1
115	1026337	COVER,COMPRESSION SPRING		1
116	1026338	HOLDER,DETECTOR		1
117	1006374	GUIDE,I/F BOARD		1
117	1039408	GUIDE,I/F BOARD;B;W	EPSON COOL WHITE	1
118	1026339	COMPRESSION SPRING,2.94		1
119	2018967	DETECTOR ASSY.,CASE OPEN		1
120	1028997	LOGO PLATE		1
120	1039441	LOGO PLATE	EPSON COOL WHITE	1
121	1021825	C.B.B. SCREW(B310206511)	M4X14	4
122	1006901	C.B.C-LAMITITE	M3X8	4
123	1009376	RIVET B-TITE(SCREW TYPE)	3X12 F/ZN	1
123	1073247	C.B.B. SCREW(B310204511)	M3X12	1
124	1073243	C.B.B. SCREW(B310204311)	M3X8	3
125	1071115	C.B.SCREW(B010350211)	M2X7	1
126	1025409	PRINTER MECHANISM MOUNTING SCREW		4
127	1073247	C.B.B. SCREW(B310204511)	M3X12	9
128	1076213	HEXAGON NUT(B070200411)	M4	1
129	1073277	C.B.B. SCREW(B310206419)	M4X12	1
130	2020073	FERRITE CORE		1
133	1002674	C.B.S-TITE SCREW	M3X12	2
137	1011863	GROUNDING PLATE,I/F,UPPER		1
200	2021315	BOARD ASSY.,MAIN		1
200	2021665	BOARD ASSY.,MAIN		1
300	2024567	BOARD ASSY.,POWER SUPPLY 220/240V	FOR OTHERS (220/240V)	1
330	2021660	HARNESS		1
400	2010468	AC CABLE,AS31303SI-A	240V	1
401	2056524	HARNESS		1
450	2021486	BOARD ASSY.,PANEL		1
450	2027199	BOARD ASSY.,PANEL	EPSON COOL WHITE	1

**NB: PART NO. RATIONALISATION –10 digit part nos. in brackets are the old numbers for otherwise identical items**

## LQ-2070

Page 2

REF	PART NO	DESCRIPTION	SPEC	Qty
500	2022338	PRINTER MECHANISM(ASP),M-5N61-100		1
501	1039889	FRAME ASSY.,RIGHT		1
502	1039892	FRAME ASSY.,LEFT		1
503	2021270	MOTOR,CR		1
504	1049976	RD ASSY.,B		1
505	2021437	HARNESS,PE,LEFT		1
506	2021438	HARNESS,PE,RIGHT		1
511	2019034	MOTOR,PF	DC6.4V/0.4A/2.6W	1
521	2019017	HARNESS,PG		1
522	2032842	DETECTOR,HP;E	4V,50MA,100MW	1
523	2019016	HARNESS,HP		1
524	2014328	CONNECTOR SWITCH;B		3
525	1045568	PAPER GUIDE		1
526	1025322	SHAFT,RELEASE		1
527	2019010	HARNESS,PE,FRONT		1
528	2019009	HARNESS,PE,REAR		1
529	1025324	LEVER,PE,SUPPORT		1
530	2019011	DETECTOR,PE,FRONT	0V,0A,0W,	1
531	1005727	DETECTOR ASSY., REAR		1
532	1005213	ROLLER,PF,DRIVEN,LOWER		5
533	1047761	ROLLER ASSY,PF		5
534	1005215	EXTENSION SPRING,70		5
535	1025363	COMPRESSION SPRING,10.8		5
536	1028531	CARRIAGE ASSY.		1
538	1025344	COVER,CR		1
539	1025348	BUSHING,14		1
540	1047760	PAPER GUIDE ASSY.,REAR;W		1
541	1039012	TRACTOR ASSY,REAR;W		1
542	1039341	TRACTOR,LEFT;W	EPSON COOL WHITE	1
543	1039342	TRACTOR,RIGHT;W	EPSON COOL WHITE	1
544	1025291	SHAFT,TR,DRIVE		1
545	1025292	SHAFT,TR,GUIDE		1
546	1039415	FRAME,TR,LEFT;W	EPSON COOL WHITE	1
547	1039416	FRAME,TR,RIGHT;W	EPSON COOL WHITE	1
548	1025289	LEVER,TR,LEFT,REAR		1
549	1025290	LEVER,TR,RIGHT,REAR		1
550	1025296	PAPER SUPPORT		1
551	1025295	SPUR GEAR,20		2
552	1025350	EXTENSION SPRING,15.7		1
555	1039457	PAPER EJECT ASSY.;W	EPSON COOL WHITE	1
556	1025301	COVER,PAPER EJECT		1
557	1029507	FRAME,PAPER EJECT,BASE		1
558	1039413	FRAME,PAPER EJECT,LEFT	EPSON COOL WHITE	1
559	1039414	FRAME,PAPER EJECT,RIGHT	EPSON COOL WHITE	1
560	1025306	ROLLER,PAPER EJECT,DRIVEN		5
561	1025310	SPUR GEAR,15		1
562	1005245	SPUR GEAR,18		1
564	1025305	ROLLER,PAPER EJECT,DRIVE		1
565	1025203	ROLLER ASSY.,PF,DRIVE		1
566	1025334	HOLDER,HEAD,CABLE		1
567	2021268	CABLE,HEAD,LOWER		1

**NB: PART NO. RATIONALISATION –10 digit part nos. in brackets are the old numbers for otherwise identical items**

## LQ-2070

Page 3

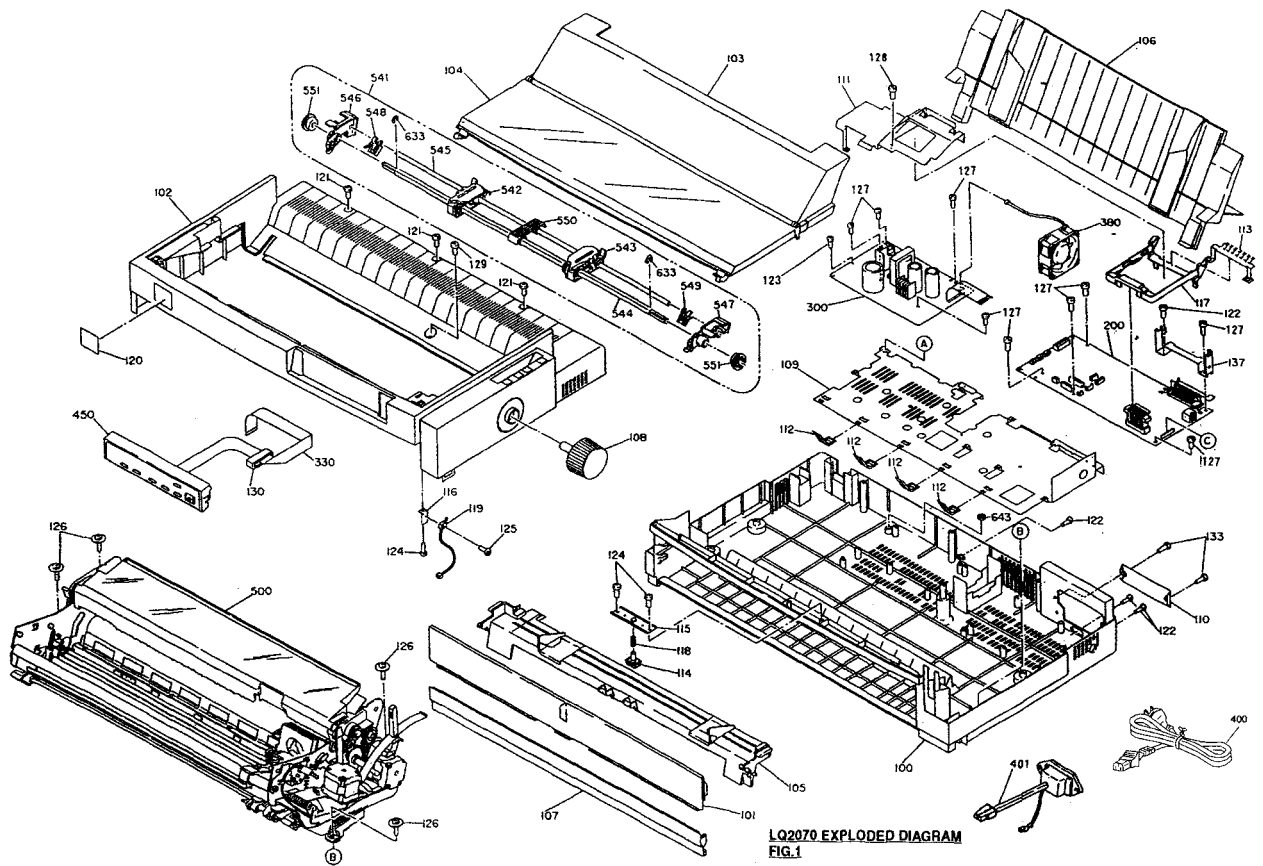
REF	PART NO	DESCRIPTION	SPEC	Qty
568	2021269	CABLE,HEAD,UPPER		1
569	1025355	BUSHING,8,LEFT		1
570	1046241	PLATEN		1
571	1031612	SPUR GEAR,36		1
572	1025285	BUSHING,8,RIGHT		1
573	1025351	COVER,PLATEN		1
574	2018904	DETECTOR ASSY.,PW		1
575	1025345	RIBBON MASK		1
576	1025352	PAPER GUIDE,SUPPORT		1
577	1025280	HOLDER,DRIVEN PULLEY		1
578	1025326	FRAME,REAR		1
579	1025327	FRAME,FRONT		1
580	1028578	FRAME,SUB,RIGHT		1
581	1028347	SHAFT,CR,GUIDE,REAR		1
582	1028348	SHAFT,CR,GUIDE,FRONT		1
583	1025331	BUSHING,PARALLEL,ADJUST		1
584	1025332	LEVER,GAP,ADJUST		1
585	1039412	CAP,LEVER;W	EPSON COOL WHITE	1
586	1025374	SHEET,RELEASE,CAP		1
587	1025349	MOUNTING PLATE,MOTOR,CR		1
588	1025346	HOLDER,RIBBON MASK		1
589	1027101	OIL PAD,LOWER		2
590	1039410	LEVER,RELEASE;W	EPSON COOL WHITE	1
591	1028357	CAM,CLUTCH,TRACTOR		1
592	1025335	BASE RUBBER		4
593	1005222	COMBINATION GEAR,8,30		1
594	1005224	SPUR GEAR,27		1
595	1013093	SPUR GEAR,34.5		2
596	1005226	SPUR GEAR,34		1
597	1076285	LEAF SPRING(B101253990)	8.2X0.25X15	1
598	1028359	INTERMITTENT GEAR		1
599	1025353	PAPER GUIDE,MIDDLE		1
600	1025354	PAPER GUIDE,FRONT		1
601	1005232	COMPRESSION SPRING,200		2
602	1025360	SPUR GEAR,21		1
603	1039411	LEVER,RELEASE,TRANSMISSION;W	EPSON COOL WHITE	1
604	1030844	OIL PAD		2
605	1025343	HOLDER,DETECTOR,PG		1
606	1029076	LEVER,RELEASE,DETECTOR		1
607	1025375	GROUNDING PLATE,PAPER GUIDE,MIDDLE		1
608	1026439	SHEET,RELEASE,CAP,SUB		1
609	1026551	HOLDER,CABLE		1
610	1026620	COVER,DRIVEN PULLEY		1
611	1006653	C.B.SCREW(B010303411)	M3X8	2
612	1025311	GROUNDING PLATE,PAPER EJECT		1
613	1005416	SHAFT,MOUNT,CR		2
614	1071064	C.B.SCREW,2.5X5,F/ZN(B010302211)	M2.5X5	1
617	1025356	LEAF SPRING,CR		1



**NB: PART NO. RATIONALISATION** –10 digit part nos. in brackets are the old numbers for otherwise identical items

## LQ-2070

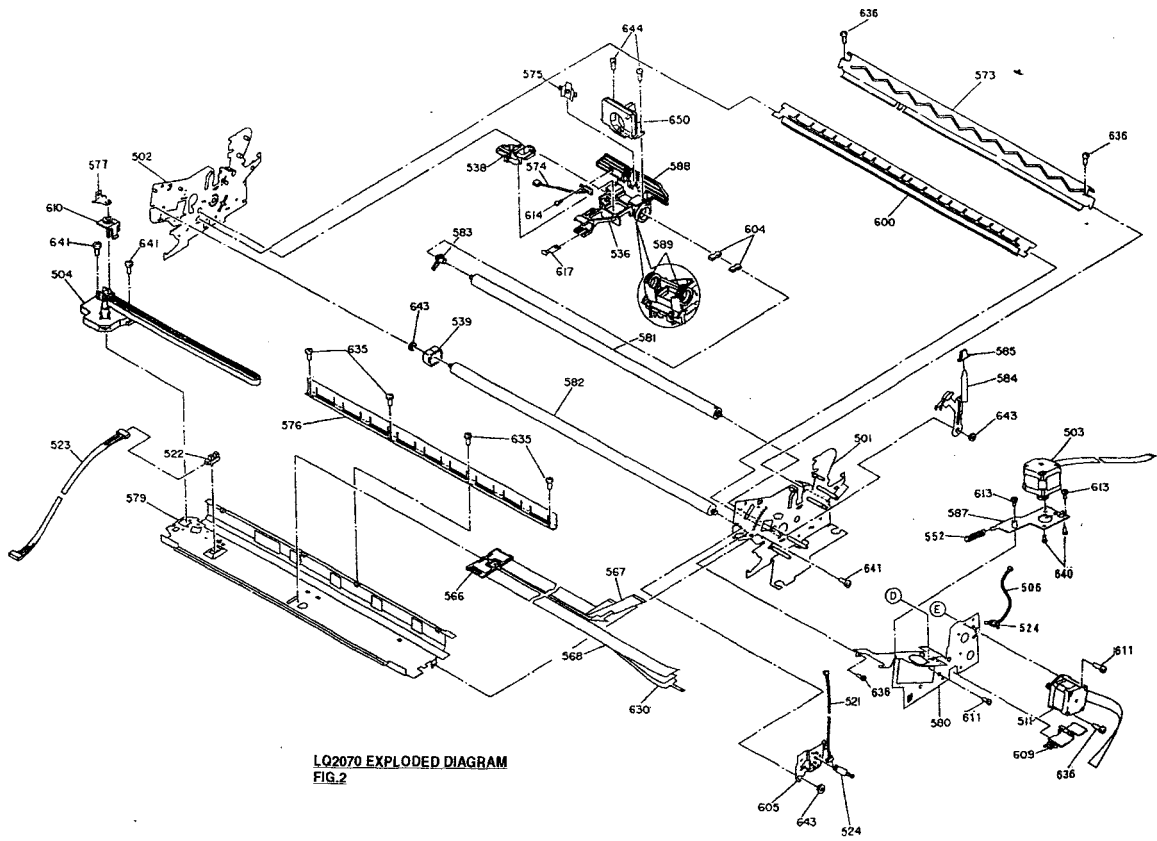
Page 5



**NB: PART NO. RATIONALISATION** -10 digit part nos. in brackets are the old numbers for otherwise identical items

## LQ-2070

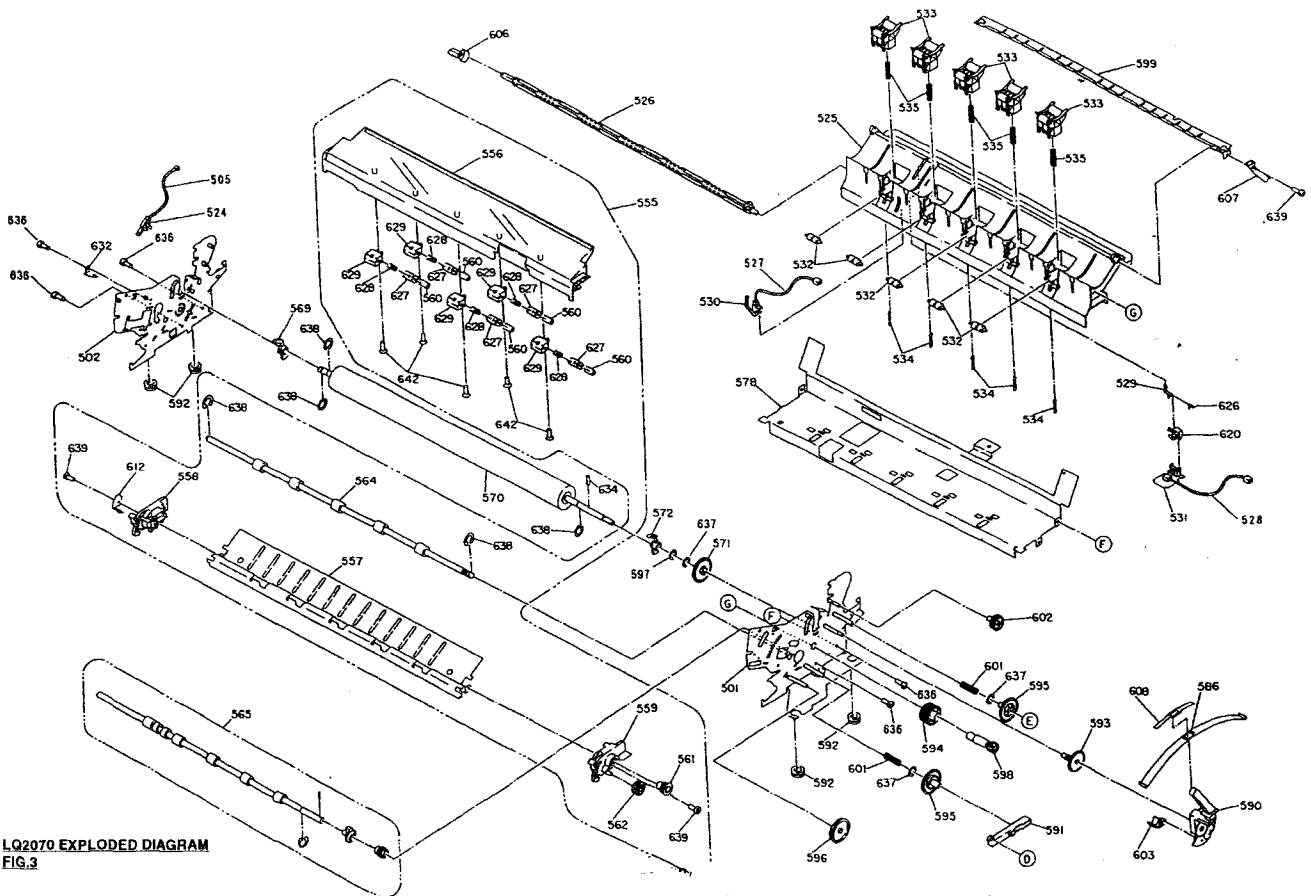
Page 6



*NB: PART NO. RATIONALISATION -10 digit part nos. in brackets are the old numbers for otherwise identical items*

## LQ-2070

Page 7



LQ2070 EXPLODED DIAGRAM  
FIG.3