

REF	PART NO	DESCRIPTION	REMARKS	QTY
100	1025018	HOUSING ASSY., LOWER		1
101	1025039	COVER, FRONT		1
102	1025041	HOUSING, UPPER		1
103	1025027	COVER, PRINTER, REAR		1
104	1025024	COVER ASSY., PRINTER		1
105	1025034	EDGE GUIDE ASSY., FRONT		1
106	1025029	EDGE GUIDE ASSY., REAR		1
107	1025043	COVER, BOTTOM		1
108	1025042	KNOB		1
109	1025044	SHIELD PLATE		1
110	1002045	COVER, CONNECTOR, UPPER		1
111	1026742	SHIELD PLATE, UPPER E		1
112	1005480	GROUNDING PLATE		4
113	1025669	GROUNDING PLATE, I/F		1
114	1026336	STOPPER, COVER, FRONT		1
115	1026337	COVER, COMPRESSION SPRING		1
116	1026338	HOLDER, DETECTOR		1
117	1006374	GUIDE, I/F BOARD		1
118	1026339	COMPRESSION SPRING, 2.94		1
119	2018967	DETECTOR ASSY., CASE OPEN		1
120	1025942	LOGO PLATE		1
121	B310206511	C.B.B. SCREW	M4X14	4
122	1006901	C.B.C-LAMITITE	M3X8	4
124	B310204311	C.B.B. SCREW	M3X8	3
125	B010350211	C.B.SCREW	M2X7	1
126	1025409	PRINTER MECH. MOUNTING SCREW		4
127	B310204511	C.B.B. SCREW	M3X12	9
128	B070200411	HEXAGON NUT	M4	3
129	B310206419	C.B.B. SCREW	M4X12	1
130	2020073	FERRITE CORE		1
133	1002674	C.B.S-TITE SCREW	M3X12	2
137	1011863	GROUNDING PLATE, I/F, UPPER		1
<b>200</b>	<b>2022437</b>	<b>BOARD ASSY., MAIN</b>	<b>SEE NOTE BELOW</b>	<b>1</b>
<b>300</b>	<b>2020931</b>	<b>BOARD ASSY., POWER SUPPLY</b>	<b>UK</b>	<b>1</b>
330	2018862	HARNESS		1
380	2021422	FAN		1
401	2018861	HARNESS		1
450	2018827	BOARD ASSY., PANEL		1
500	2020579	PRINTER MECH.(ASP), M-5N60-100		1
501	1025190	FRAME ASSY., RIGHT		1
502	1025191	FRAME ASSY., LEFT		1
503	2019033	MOTOR, CARRIAGE	DC3.0V/1.1A/3.3W	1
504	1025199	RIBBON DRIVE ASSY.		1
505	1032159	SHEET, PROTECT, FFC		1
511	2019034	MOTOR, PAPER FEED	DC6.4V/0.4A/2.6W	1
521	2019017	HARNESS, PG		1
522	2021854	DETECTOR, HP	4V,50MA,100MW,	1
523	2019016	HARNESS, HP		1
524	2014328	CONNECTOR SWITCH:B		4
525	1025321	PAPER GUIDE		1
526	1025322	SHAFT, RELEASE		1
527	2019010	HARNESS, PE, FRONT		1
528	2019009	HARNESS, PE, REAR		1
529	1025324	LEVER, PE, SUPPORT		1
530	2019011	DETECTOR, PE, FRONT	0V,0A,0W,	1
531	1005727	DETECTOR ASSY., REAR		1
532	1005213	ROLLER, PF, DRIVEN, LOWER		5
533	1025249	ROLLER ASSY., PF		5
534	1005215	EXTENSION SPRING, 70		5
535	1025363	COMPRESSION SPRING, 10.8		5
536	1025192	CARRIAGE ASSY.		1
538	1025344	COVER, CARRIAGE		1
539	1025348	BUSHING, 14		1
541	1025246	TRACTOR ASSY., REAR		1
542	1025293	TRACTOR, LEFT		2

# EPSON

## LQ2170 Spares Guide Version 3

Page 2

REF	PART NO	DESCRIPTION	REMARKS	QTY
543	1025294	TRACTOR, RIGHT		2
544	1025291	SHAFT, TR, DRIVE		2
545	1025292	SHAFT, TR, GUIDE		2
546	1025287	FRAME, TR, LEFT		1
547	1025288	FRAME, TR, RIGHT		1
548	1025289	LEVER, TR, LEFT, REAR		1
549	1025290	LEVER, TR, RIGHT, REAR		1
550	1025296	PAPER SUPPORT		2
551	1025295	SPUR GEAR, 20		4
552	1025350	EXTENSION SPRING, 15.7		1
555	1025248	PAPER EJECT ASSY.		1
556	1025301	COVER, PAPER EJECT		1
557	1029507	FRAME, PAPER EJECT, BASE		1
558	1025302	FRAME, PAPER EJECT, LEFT		1
559	1025303	FRAME, PAPER EJECT, RIGHT		1
560	1025306	ROLLER, PAPER EJECT, DRIVEN		5
561	1025310	SPUR GEAR, 15		1
562	1005245	SPUR GEAR, 18		1
564	1025305	ROLLER, PAPER EJECT, DRIVE		1
565	1025203	ROLLER ASSY., PF, DRIVE		1
566	1025334	HOLDER, HEAD, CABLE		1
567	2019013	CABLE, HEAD, LOWER		1
568	2019014	CABLE, HEAD, UPPER		1
569	1025355	BUSHING, 8, LEFT		1
570	1025284	PLATEN		1
571	1031612	SPUR GEAR, 36		1
572	1025285	BUSHING, 8, RIGHT		1
573	1025351	COVER, PLATEN		1
574	2018904	DETECTOR ASSY., PW		1
575	1025345	RIBBON MASK		1
576	1025352	PAPER GUIDE, SUPPORT		1
578	1025326	FRAME, REAR		1
579	1025327	FRAME, FRONT		1
580	1028578	FRAME, SUB, RIGHT		1
581	1025329	SHAFT, CR, GUIDE, REAR		1
582	1025330	SHAFT, CR, GUIDE, FRONT		1
583	1025331	BUSHING, PARALLEL, ADJUST		1
584	1025332	LEVER, GAP, ADJUST		1
585	1025333	CAP, LEVER		1
586	1025374	SHEET, RELEASE, CAP		1
587	1025349	MOUNTING PLATE, MOTOR, CARRIAGE		1
588	1025346	HOLDER, RIBBON MASK		1
589	1027101	OIL PAD, LOWER		2
590	1025361	LEVER, RELEASE		1
591	1005220	CAM, CLUTCH, TRACTOR		1
592	1025335	BASE RUBBER		4
593	1025357	COMBINATION GEAR, 8, 30		1
594	1005224	SPUR GEAR, 27		1
595	1005225	SPUR GEAR, 34.5		2
596	1005226	SPUR GEAR, 34		1
597	B101253990	LEAF SPRING	8.2X0.25X15	1
598	1005218	INTERMITTENT GEAR		1
599	1025353	PAPER GUIDE, MIDDLE		1
600	1025354	PAPER GUIDE, FRONT		1
601	1005232	COMPRESSION SPRING, 200		2
602	1025360	SPUR GEAR, 21		1
603	1005844	LEVER, RELEASE, TRANSMISSION		1
604	1030844	OIL PAD		2
605	1025343	HOLDER, DETECTOR, PG		1
606	1025364	LEVER, RELEASE, DETECTOR		1
607	1025375	GROUNDING PLATE, . PG, MIDDLE		1
608	1026439	SHEET, RELEASE, CAP, SUB		1
609	1026551	HOLDER, CABLE		1
610	1026620	COVER, DRIVEN PULLEY		1

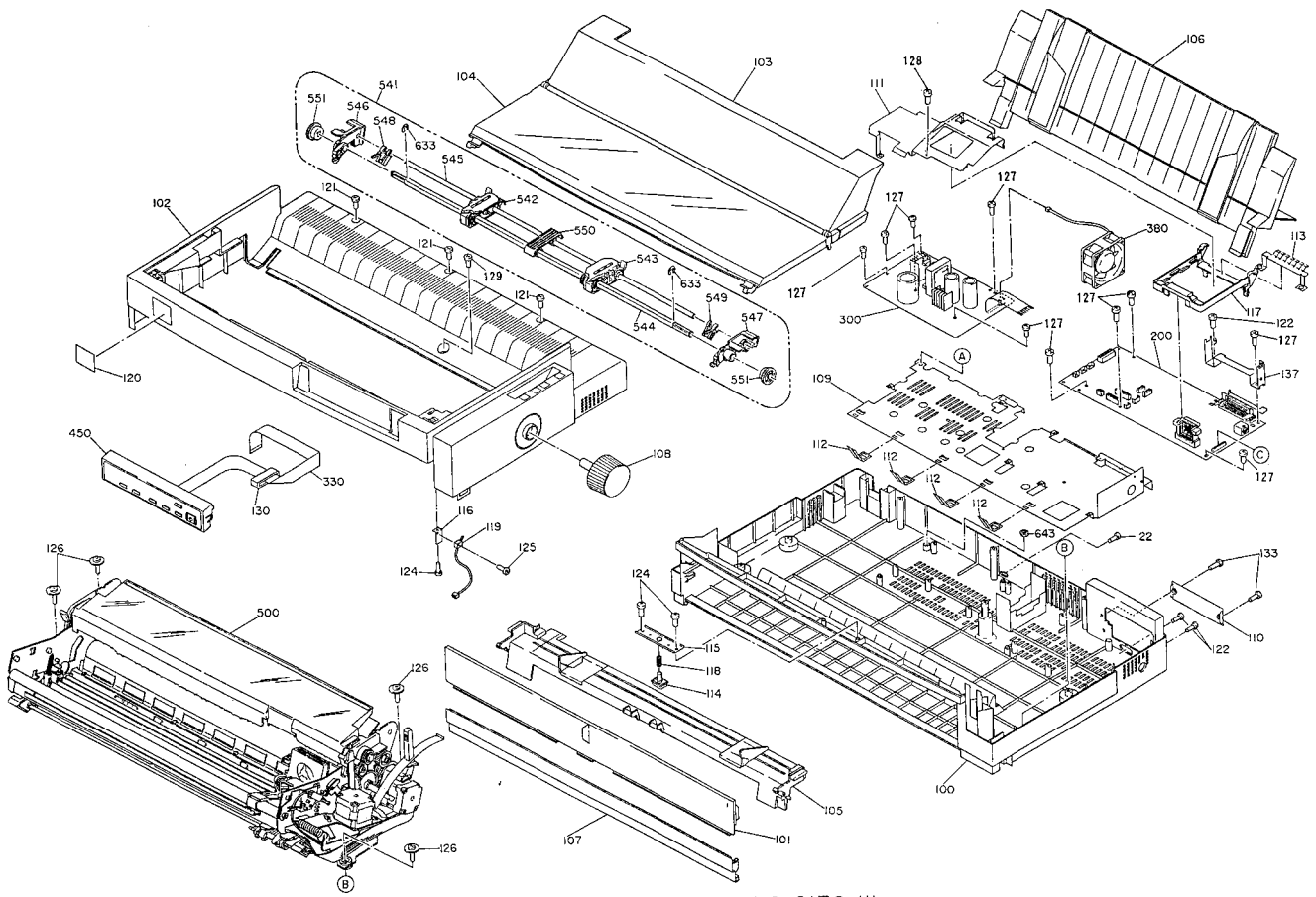
REF	PART NO	DESCRIPTION	REMARKS	QTY
611	B010303411	C.B.SCREW	M3X8	2
612	1025311	GROUNDING PLATE, PAPER EJECT		1
613	1005416	SHAFT, MOUNT, CARRIAGE		2
614	B010302211	C.B.SCREW	M2.5X5	1
617	1025356	LEAF SPRING, CARRIAGE		1
620	1025323	LEVER, DETECTOR, PE, REAR		1
621	1025247	TRACTOR ASSY., FRONT		1
622	1025287	FRAME, TRACTOR, LEFT		1
623	1025288	FRAME, TRACTOR, RIGHT		1
624	1025299	LEVER, TRACTOR, LEFT, FRONT		1
625	1025300	LEVER, TRACTOR, RIGHT, FRONT		1
626	1025325	TORSION SPRING, 0.26		1
627	1025307	HOLDER, PAPER EJECT, DRIVEN		5
628	1025309	COMPRESSION SPRING, 1.08		5
629	1025308	HOLDER, PAPER EJECT, SPRING		5
630	2019015	CABLE, DETECTOR		1
631	2019030	HARNESS, RE		1
632	1026741	GUIDE, PAPER EJECT		1
633	B150300911	RETAINING RING	TYPE-E(6)	2
634	1031702	SPRING PIN, 2X18, F/B		1
635	B302704211	C.P.S.P.S. SCREW	M3X6	4
636	B300204211	C.B.S. SCREW	M3X6	9
637	B100166012	PLAIN WASHER	8X0.5X15	3
638	B160101412	RETAINING RING	TYPE-C	5
639	1006901	C.B.C-LAMITITE	M3X8	2
640	B010303311	C.B.SCREW	M3X6	2
641	B300204311	C.B.S. SCREW	M3X8	3
642	1019830	C.F.P-TITE SCREW, 2.6X8, F/ZN		5
643	B070200411	HEXAGON NUT	M4	3
644	B300204411	C.B.S. SCREW	M3X10	2
<b>650</b>	<b>F050000</b>	<b>PRINT HEAD, DH24-0A0</b>		<b>1</b>
END				

REFER TO TECHEXCHANGE FOR INFORMATION ABOUT ORDERING I/C'S

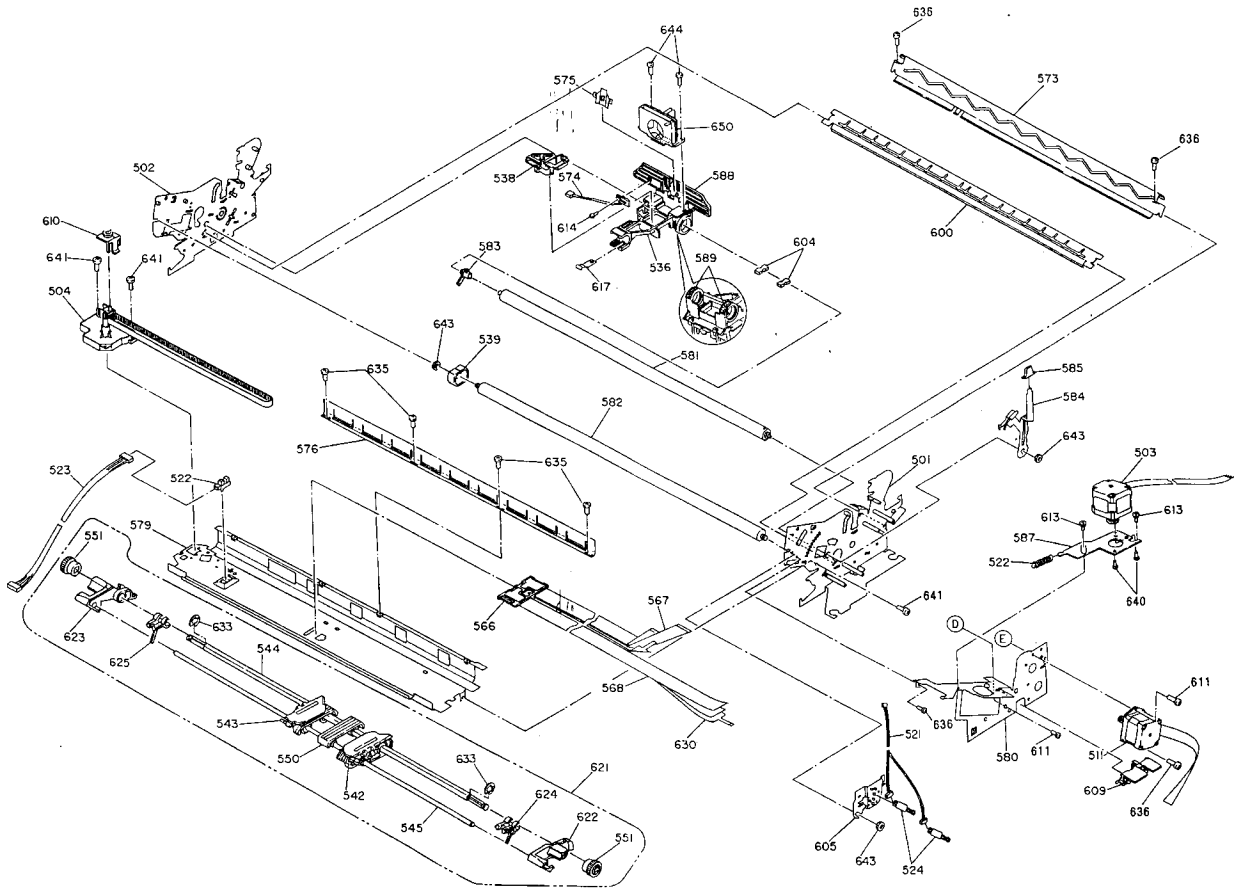
# EPSON

## LQ2170 *Spares Guide Version 3*

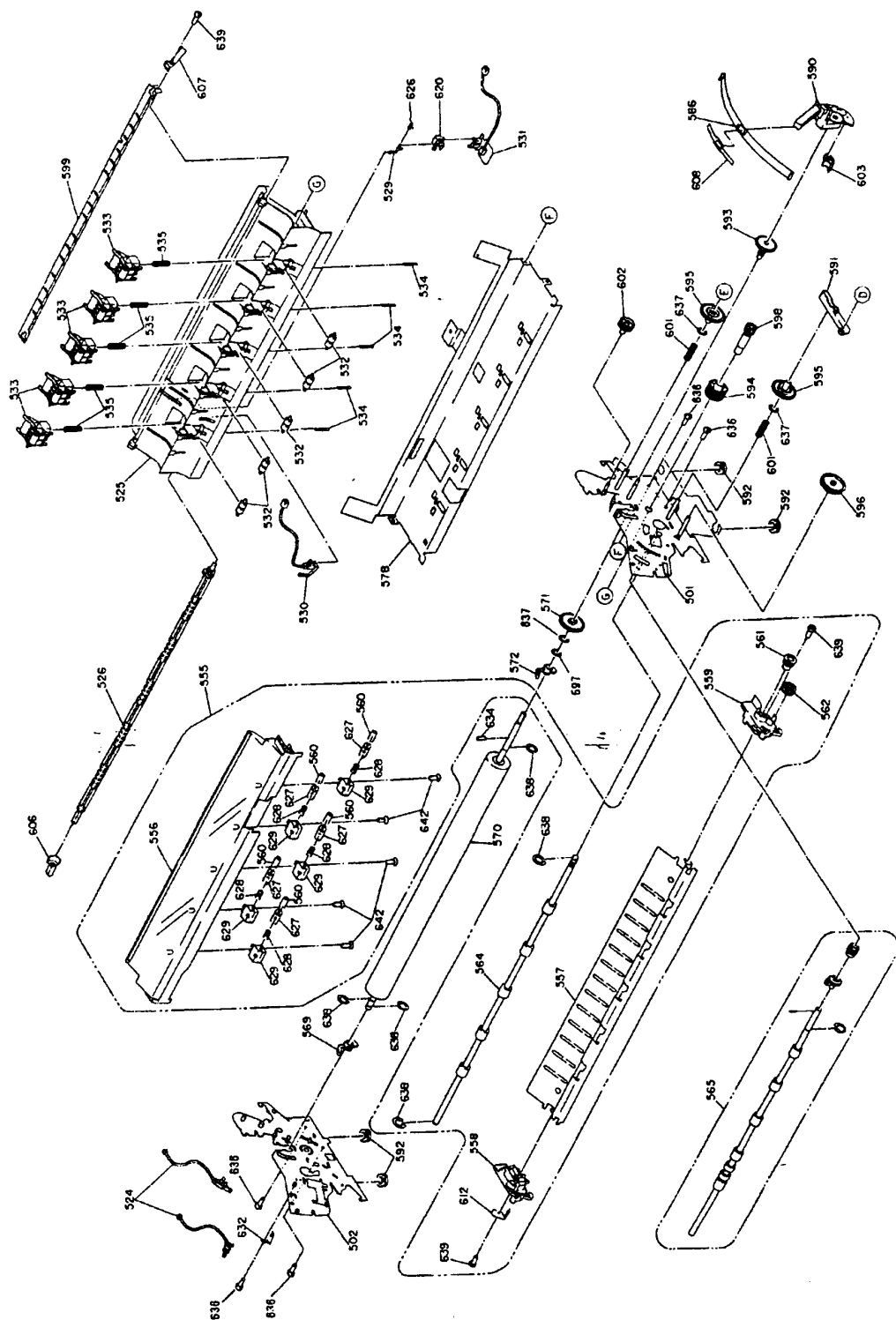
Page 4



LQ-2170 (1) REV. A



LQ-2170 (2)



LQ2170 EXPLODED DIAGRAM  
FIG. 3

EPSON

LQ2170 *Spares Guide Version 3*

Page 7