

# EPSON

***NB: Part Number rationalisation – 10 digit part numbers in brackets are the old numbers for otherwise identical items***

## LQ870 SPARES GUIDE VERSION 2

Page No.:1

REF	PART NO	DESCRIPTION	SPECIFICATION	Qty
100	1005501	HOUSING ASSY., LOWER		1
101	1005558	FOOT		4
102	1005502	HOUSING ASSY., UPPER		1
103	1005475	HOUSING, FRONT		1
104	1005504	COVER ASSY., PRINTER		1
105	1005505	EDGE GUIDE ASSY., FRONT		1
106	1005506	EDGE GUIDE ASSY., REAR		1
107	1005503	COVER ASSY., FRONT		1
108	1005478	PLATEN KNOB		1
109	1005393	SHIELD PLATE		1
110	1005476	COVER, DIP, SWITCH		1
111	1005479	SHIELD PLATE		1
112	1005480	GROUNDING PLATE		4
113	1005382	GROUNDING PLATE,I/F		1
114	1005477	BRACKET		1
115	1002045	COVER,CONNECTOR,UPPER		1
117	1006374	GUIDE,I/F BOARD		1
118	1011016	COVER,CARTRIDGE SLOT		1
119	1005510	SHEET, PANEL		1
120	1013163	LOGO PLATE;D		1
121	1006653	C.B.SCREW (B010303411)	M3X8	1
123	1073204	C.B.S. (O) SCREW (B303404211)	M3X6	2
124	1073247	C.B.B. SCREW (B310204511)	M3X12	11
125	1021825	C.B.B. SCREW (B310206511)	M4X14	2
126	1074206	MECH. MOUNTING SCREW (F349655040)		4
127	1001321	C.B.S. (O) SCREW	M3X8	6
128	1002674	C.B.S-TITE SCREW	M3X12	2
129	1075903	SNAP BAND (X510060030)		1
130	2001939	FERRITE CORE		1
<b>200</b>	<b>2016659</b>	<b>BOARD ASSY.,MAIN</b>	<b>FOR EUROPE</b>	<b>1</b>
201	1004142	C.P.B-TITE SCREW	M3X8	2
300	2003072	BOARD ASSY.,DRIVER		1
301	1005394	PLATE,HOLDER		3
302	1005392	HEAT SINK		1
303	1003978	C.B.SCREW	M3X20	3
331	2001105	FUSE		1
332	2052955	FUSE COVER (X502200060)		1
333	2052590	INSULATION SPACER (X510180190)		1
334	2052597	INSULATION SPACER (X510180280)		1
335	2052599	INSULATION SPACER (X510180320)		1
336	1073702	TRANSISTOR HOLDER (Y456001001)	M391-1020	1
337	1074115	TRANSISTOR HOLDER (Y903001001)	903-1050	3
339	1005933	HOLDER,TRANSISTOR		1
340	1072905	CUP SCREW (B040303111)	M3X14	4
341	1073171	C.B.S. SCREW (B300204311)	M3X8	4
342	1002674	C.B.S-TITE SCREW	M3X12	1
343	1016606	SPACER,PS		1
<b>350</b>	<b>2011496</b>	<b>BOARD ASSY.,POWER SUPPLY</b>	<b>220/240V</b>	<b>1</b>
351	2052920	FUSE (X502063050)		1
352	2052587	INSULATION SPACER (X510180180)		1
353	2003639	INSULATION TUBE		1
372	2003076	HARNESS		1
380	2013204	FAN		1
381	2003077	HARNESS		1
382	2003079	HARNESS		1
401	Y901305500	POWER CABLE (BS31303SA-SR)	240V	1
450	2003075	BOARD ASSY., PANEL		1
500	2003221	PRINTER MECHANISM	M-5D10	1
501	1005275	FRAME SUB ASSY.,RIGHT		1
502	1005278	FRAME ASSY.,LEFT		1

# EPSON

## LQ870

Page No.:2

REF	PART NO	DESCRIPTION	SPECIFICATION	Qty
503	2011358	MOTOR,CR	DC3.3V/0.6A/1.98W	1
504	1005578	RIBBON DRIVE ASSY.		1
511	2003041	MOTOR, PF	DC10V/0.19A/1.9W	1
521	2003021	LEAD, PLATEN GAP		1
522	2032842	DETECTOR,HP;E	4V,50MA,100MW	1
523	2003019	LEAD, HP		1
524	2012443	CONNECTOR SWITCH;B		2
525	1005151	PAPER GUIDE		1
526	1005157	SHAFT,RELEASE		1
527	2003022	LEAD, PE, FRONT		1
528	2003023	LEAD, PE, REAR		1
529	2003031	LEAD, PF		1
530	2003033	DETECTOR, PE, FRONT		1
531	-	DETECTOR ASSY., REAR	2 SEPARATE PARTS-1005727 & 1005177	1
532	1005213	ROLLER,PF,DRIVEN,LOWER		3
533	1005282	ROLLER ASSY.,PF		3
534	1005215	EXTENSION SPRING,70		3
535	1005214	COMPRESSION SPRING,1000		3
536	1009106	CARRIAGE ASSY.		1
538	1005179	HOLDER,SLIDER		1
539	1008049	SLIDER,CR		1
541	1005293	TRACTOR ASSY.		
542	1001108	TRACTOR,LEFT		1
543	1001109	TRACTOR,RIGHT		1
544	1005163	SHAFT,TR,DRIVE		1
545	1005164	SHAFT,TR,GUIDE		1
546	1005246	FRAME,TR,LEFT		1
547	1005247	FRAME,TR,RIGHT		1
548	1005248	LEVER,TR,LEFT		1
549	1005249	LEVER,TR,RIGHT		1
550	1005417	PAPER SUPPORT		1
551	1044973	SPUR GEAR,20		2
552	1074768	RETAINING RING (B150300911)	TYPE-E(6)	2
555	1015148	PAPER EJECT ASSY.		1
556	1005158	COVER,PAPER EJECT		1
557	1008693	FRAME,PAPER EJECT,BASE		1
558	1005236	FRAME,PAPER EJECT,LEFT		1
559	1005237	FRAME,PAPER EJECT,RIGHT		1
560	1005243	LEAF SPRING,PAPER EJECT,DOUBLE		1
561	1005244	SPUR GEAR,15		1
562	1005245	SPUR GEAR,18		1
563	1005514	LEAF SPRING,PAPER EJECT,SINGLE		1
564	1015146	ROLLER,PAPER EJECT,DRIVE		1
565	1006901	C.B.C-LAMITITE	M3X8	2
566	1005176	HOLDER,CABLE,HEAD		1
567	2003017	CABLE,HEAD,LOWER		1
568	2003018	CABLE,HEAD,UPPER		1
569	1005306	ROLLER ASSY.,DRIVE		1
570	1008449	PLATEN;C		1
571	1030979	PLATEN GEAR		1
572	1073544	PLATEN SHAFT HOLDER (F334005370)	GRAY	2
573	1005152	COVER,PLATEN		1
573	1006902	COVER ASSY.,PLATEN		1
575	1005184	RIBBON MASK		1
576	1014600	PAPER GUIDE ASSY.,SUPPORT		1
577	1005148	GUIDE,PAPER LOAD		1
578	1005145	FRAME,REAR		1
579	1005146	FRAME,FRONT		1
580	1005170	FRAME,SUB,RIGHT		1
581	1008052	GUIDE,CR		1
582	1005149	SHAFT,CR,GUIDE		1
583	1005172	BUSHING,PARALLEL,ADJUST		1
584	1005173	LEVER,GAP,ADJUST		1
585	1005174	CAP,LEVER		1
586	1005175	SHEET,ADJUST,CAP		2

# EPSON

## LQ870

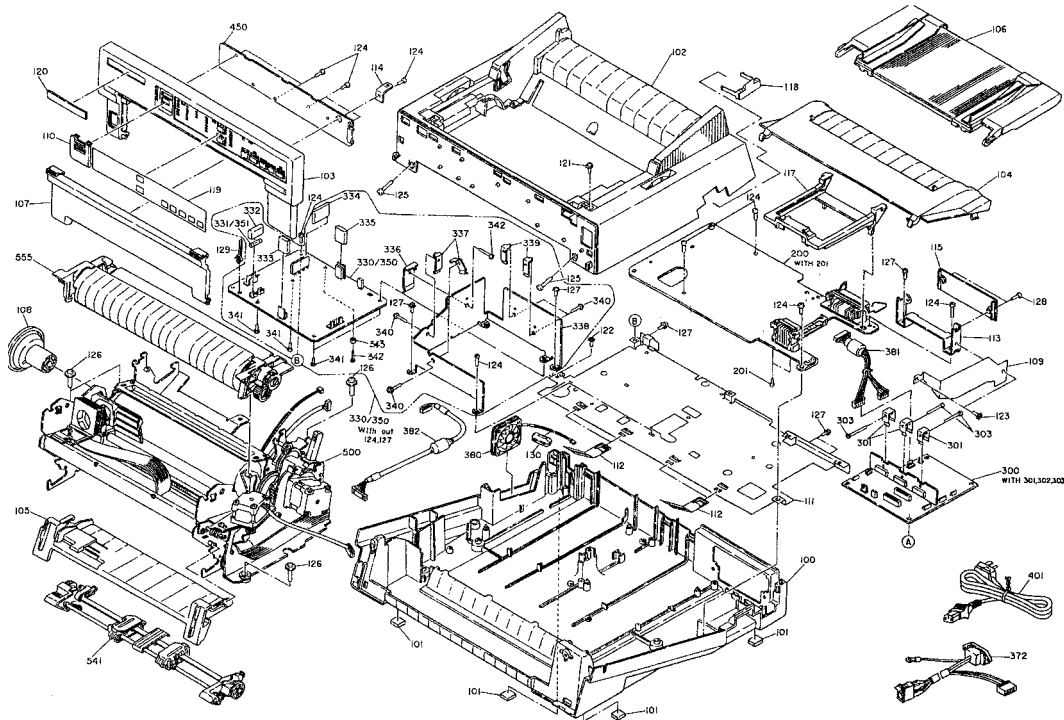
Page No.:3

REF	PART NO	DESCRIPTION	SPECIFICATION	Qty
587	1005185	MOUNTING PLATE,MOTOR,CR		1
588	1010896	HOLDER,RIBBON MASK		1
589	1073525	OIL PAD (F334005140)		1
590	1005219	LEVER,RELEASE		1
591	1005220	CAM,CLUTCH,TRACTOR		1
592	1010467	BASE RUBBER		5
593	1005222	COMBINATION GEAR, 8,30		1
594	1005224	SPUR GEAR,27		1
595	1005225	SPUR GEAR,34.5		2
596	1005226	SPUR GEAR,34		1
597	1005227	SPUR GEAR,15		1
598	1005218	INTERMITTENT GEAR		1
599	1005186	EXTENSION SPRING,1056		1
600	1005201	EXTENSION SPRING,71		2
601	1005232	COMPRESSION SPRING,200		2
602	1001856	SPRING PIN	2X12	1
603	1000972	C.B.S (P). (O) SCREW	M3X8	1
604	1005019	C.B.P-TITE SCREW,3X8,F/ZN	M3X8 F/ZN	1
605	1004635	C.B.SCREW (B010303311)	M3X6	2
606	1076213	HEXAGON NUT (B070200411)	M4	1
607	1076264	PLAIN WASHER (B100166012)	8X0.5X15	3
608	1076285	LEAF SPRING (B101253990)	8.2X0.25X15	1
609	1074777	RETAINING RING (B160101412)	TYPE-C	1
610	1073171	C.B.S. SCREW (B300204311)	M3X8	12
611	1073172	C.B.S. SCREW (B300204411)	M3X10	3
612	1006827	GROUNDING PLATE,PAPER EJECT		1
613	1005416	SHAFT,MOUNT,CR		2
614	1009032	TOOTHED LOCK WASHER A	M 4.3X0.45X8.5	1
617	1014639	METAL FITTINGS,GROUND,PLATEN		1
620	1005177	LEVER,PE,DETECTOR,REAR		1
<b>650</b>	<b>F018000</b>	<b>PRINT HEAD</b>		<b>1</b>
END				

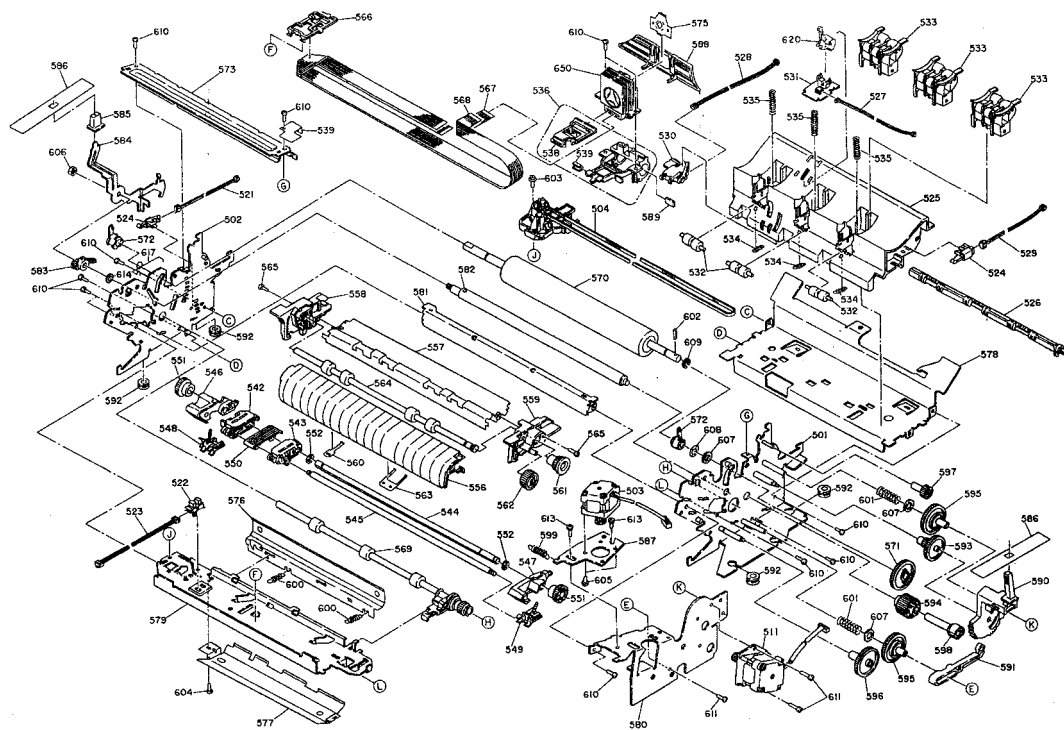
# EPSON

## LQ870

Page No.:4



EXPLODED DIAGRAM FOR LQ-870(1) REV. C



EXPLODED DIAGRAM FOR LQ-870(2) REV. C