

NB: Part Number rationalisation – 10 digit part numbers in brackets are the old numbers for otherwise identical items

LX-300

Spares Guide Version 2

Page No.:1

REF	PART NO	DESCRIPTION	SPEC	QTY
100	1023881	HOUSING ASSY.,LOWER		1
101	1018196	INSULATOR		1
102	1018197	INSULATOR		2
103	1018212	SHIELD PLATE		1
104	1023883	COVER ASSY.,PRINTER		1
105	1016265	ROLLER,DRIVEN		2
106	1016266	HOLDER,ROLLER,DRIVEN		2
107	1016268	COMPRESSION SPRING,73		2
108	1022015	COVER,ROLLER,DRIVEN		2
109	1023882	EDGE GUIDE ASSY.		1
110	1018199	HOUSING,UPPER		1
111	1018200	SHEET,PANEL		1
112	1018894	LOGO PLATE		1
113	1018214	KNOB		1
114	1018210	COVER,BOTTOM		1
115	1018211	COVER,CONNECTOR,CS		1
116	1018213	SHIELD PLATE,I/F		1
117	1018297	GROUNDING PLATE		2
118	1019833	LABEL,POSITION		1
119	1076213	HEXAGON NUT(B070200411)	M4	1
120	1006901	C.B.C-LAMITITE	M3X8	1
121	1018296	SHAFT,HOUSING,LOWER		3
122	1015457	SHAFT,HOUSING,LOWER		1
123	1073114	C.B.(O) SCREW 4X8 F/ZG(B045800115)	M4X8 F/ZG	1
124	1073243	C.B.B. SCREW(B310204311)	M3X8	8
125	1073244	C.B.B. SCREW(B310204411)	M3X10	1
126	1073255	C.B.B.SCREW,4X12,F/ZN(B310206411)	M4X12	4
127	1012989	C.B.USCA C	M3X8 F/ZN	7
128	1018287	JACK SOCKET		2
128	1018288	JACK SOCKET		2
129	1019830	C.F.P-TITE SCREW,2.6X8,F/ZN		2
131	1012990	C.B.USCA C(S-P1)	M3X10 F/ZN	1
132	1019310	GUIDE,STACKER		2
133	1019482	STACKER		1
135	1018459	COVER,HEAT SINK		1
200	2012918	BOARD ASSY.,MAIN		1
E1	2019048	EP-ROM	DIP,1MBIT,32	1
250	2012921	BOARD ASSY.,I/F		1
300	2012920	BOARD ASSY.,POWER SUPPLY 220V/240V		1
330	2012927	WIRE HARNESS		1
401	2006741	POWER CABLE,BS31303SA-SR-10A	240V	1
412	2012926	WIRE HARNESS		1
500	2033563	PRINTER MECHANISM(ASP),M-3G10-003		1
501	1018153	FRAME,LEFT		1
502	1021050	FRAME,RIGHT		1
503	2012999	MOTOR,PF	DC35V/0.43A/15.1W	1
504	2020393	DETECTOR,LEAF,B2	1.0V,0A,	2

EPSON

NB: Part Number rationalisation – 10 digit part numbers in brackets are the old numbers for otherwise identical items

LX-300

Spares Guide Version 2

Page No.:2

REF	PART NO	DESCRIPTION	SPEC	QTY
505	2014535	HARNESS,TR		1
506	1018184	LEVER,G,ADJUST		1
507	1018168	COMPRESSION SPRING,200		1
508	1073535	TRACTOR REDUCTION GEAR(F334005270)		1
509	1073985	PAPER FEED REDUCTION GEAR(F359002020)		1
510	1073243	C.B.B. SCREW(B310204311)	M3X8	1
511	1074747	PLAIN WASHER(B100153012)	5X0.3X10	1
512	1023879	LEVER ASSY.,PLATEN		1
513	1018174	PAPER GUIDE,UPPER		1
514	1018175	ROLLER,PF,DRIVEN		4
515	1018170	PAPER GUIDE,LOWER		1
516	1018176	PAPER GUIDE,SUPPORT		1
517	1018145	FRAME,BASE		1
518	1018157	SPUR GEAR,13.2		1
519	1018158	COMBINATION GEAR,5.1,16.2		2
520	1022466	RATCHET,RD		1
521	1018164	COVER,RD		1
522	1113382	TIMING BELT		1
523	1073499	BELT TENSION SPRING(F333051060)		1
524	1023880	PULLEY ASSY.,DRIVEN		1
525	2012998	MOTOR,CR	DC35V/0.37A/13W	1
526	1015038	PULLEY,DRIVE		1
527	1073733	BELT PULLEY FLANGE(F336051030)		1
528	1073501	PLAIN WASHER(F333051080)	3.2X0.5X7	1
529	1074111	RETAINING RING(B150350111)	TYPE-E(2.3)	1
530	1023878	CARRIAGE ASSY.		1
531	1018182	GROUNDING PLATE,HEAD		1
532	1018183	SHAFT ASSY.,CR,GUIDE		1
533	1018185	GROUNDING PLATE,SHAFT,CR		1
534	1011120	OIL PAD		1
535	2013199	DETECTOR,PE	0,0V,0A,	1
536	1018178	PLATEN		1
537	1008995	BUSHING,11		2
538	1076268	PLAIN WASHER(B100166990)	11.3X0.5X16.5	1
539	1074776	RETAINING RING(B150301111)	TYPE-E(8)	2
540	1008637	U-TYPE,11.2X0.13X16S/NA		1
541	1018191	GROUNDING WIRE,PLATEN		1
542	2013002	CABLE,HEAD		1
543	1018192	SHEET,CABLE,HEAD		1
544	1018248	RIBBON MASK		1
545	2014534	HARNESS,HP		1
546	2014536	HARNESS,PE		1
549	1018252	HEAT INSULATOR		1
550	1018324	SHEET,FRAME,BASE		1
551	1018169	LEVER,DISENGAGE		1
552	1012841	BUSHING,PARALLEL,ADJUST		2
553	1018172	SHAFT,FRICITION		1

EPSON

NB: Part Number rationalisation – 10 digit part numbers in brackets are the old numbers for otherwise identical items

LX-300

Spares Guide Version 2

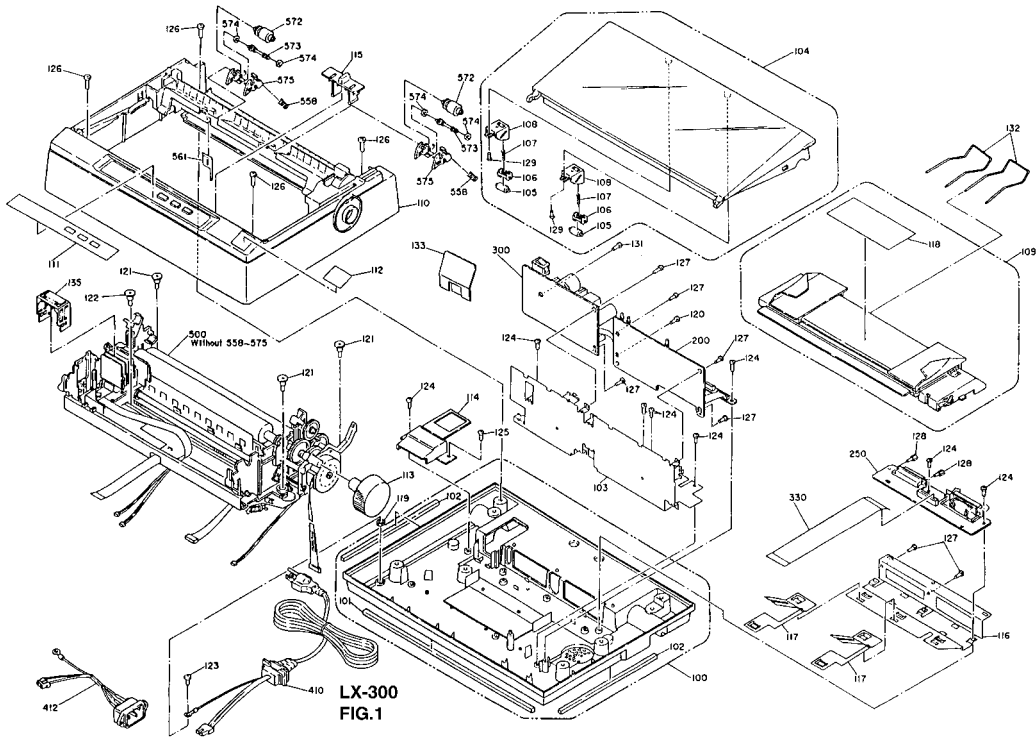
Page No.:3

REF	PART NO	DESCRIPTION	SPEC	QTY
554	1021543	GEAR,34		1
555	1018179	SPUR GEAR,25		1
556	1011130	C.P.B SCREW(B310104611)	M3X14	1
557	1018171	COMPRESSION SPRING,1100		2
558	1016186	COMPRESSION SPRING,500		2
559	1018193	DAMPER		3
560	1019480	DAMPER,BASE		1
561	1019481	SHEET,PE DETECTOR		1
562	1018189	FRAME,TR,LEFT		1
563	1018188	FRAME,TR,RIGHT		1
564	1022013	TRACTOR,LEFT		1
565	1022011	TRACTOR,RIGHT		1
566	1018187	SHAFT,TR		1
567	1018220	SHAFT,GUIDE,TR		1
568	1018219	PAPER SUPPORT		1
569	1018190	SPUR GEAR,17		1
570	1074109	RETAINING RING(B150300811)	TYPE-E(5)	1
571	1074768	RETAINING RING(B150300911)	TYPE-E(6)	1
572	1016625	ROLLER SUB ASSY.,EJ		2
573	1022317	ROLLER,EJ,TRANSMISSION		2
574	1019483	ROLLER,EJ,SUPPORT		4
575	1019484	HOLDER,EJ,ROLLER		2
650-1	1009010	LABEL,WARNING		1
650-1	1034095	LABEL,WARNING		1
END				

NB: Part Number rationalisation – 10 digit part numbers in brackets are the old numbers for otherwise identical items

LX-300 Spares Guide Version 2

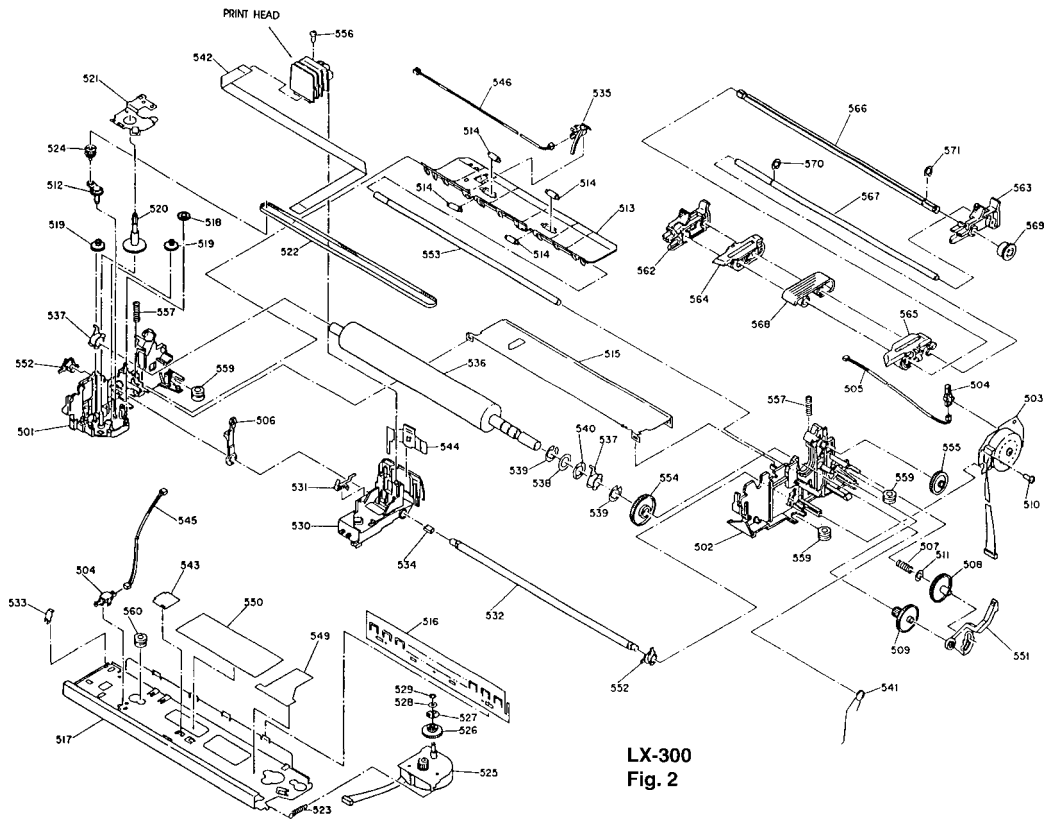
Page No.:4



NB: Part Number rationalisation – 10 digit part numbers in brackets are the old numbers for otherwise identical items

LX-300 Spares Guide Version 2

Page No.:5

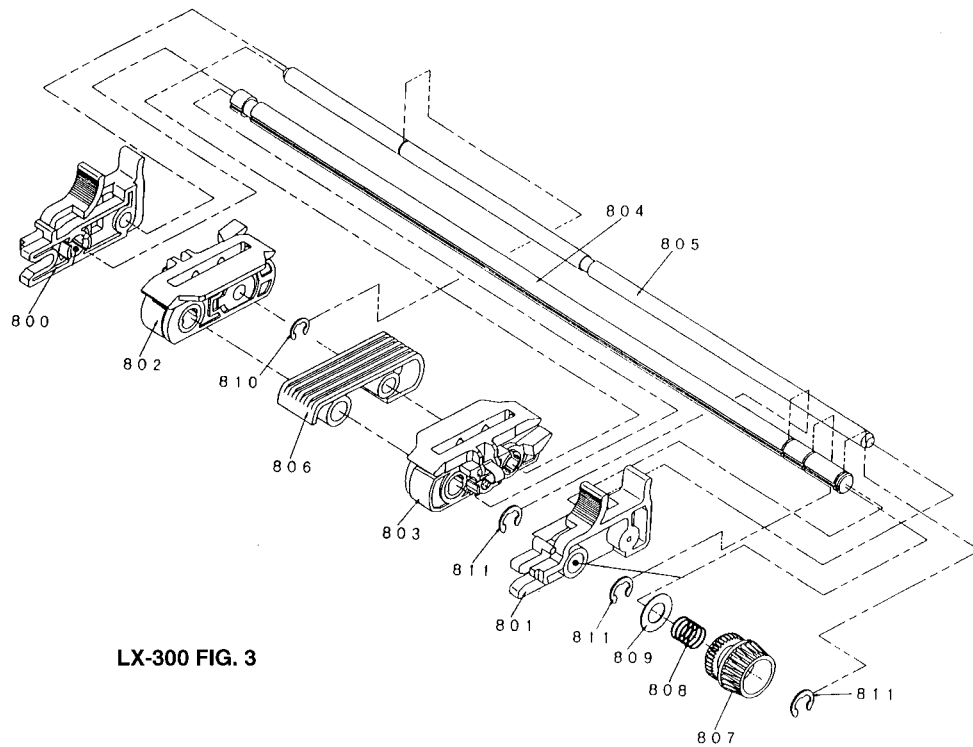


LX-300
Fig. 2

NB: Part Number rationalisation – 10 digit part numbers in brackets are the old numbers for otherwise identical items

LX-300 Spares Guide Version 2

Page No.:6



LX-300 FIG. 3