

EPSON TM-H6000(011)

Page 1

REF	PART NO	DESCRIPTION	SPEC	QTY
101	1046592	C.B.S-TITE F, 3X4, F/ZN		5
103	B018101811	C.P.T.SCREW	M3X10	7
104	B040350311	CUP SCREW	M4X20	1
105	B300304211	C.C.S. SCREW	M3X6	3
106	B300804211	C.B.S-TITE, 3X6, F/ZN		15
107	B302404211	C.P.S.(O) SCREW	M3X6	9
108	B310206411	C.B.B.SCREW, 4X12, F/ZN		2
109	B310206811	C.B.B. SCREW	M4X25	2
110	1002902	CLAMP		1
111	1006007	IC COVER		1
112	1017085	PLAIN WASHER	4.2X1X12	2
113	1017079	SPACER, INSULATOR		2
114	F334005110	DAMPER SPACER		2
115	1023411	SEAL, CAUTION		1
116	1026516	PLATE, CONNECTOR, AA		1
117	1026525	RUBBER FOOT		3
118	1046088	CASE, LOWER, AA		1
119	1046089	CASE, UPPER, AA		1
120	1046091	CASE, FRONT, AA		1
121	1046092	COVER, RIBBON CASSETTE, AA		1
122	1046155	PLATE, MAIN, SUB/ASS'Y, A		1
123	1046161	CASE, THERMAL, AA		1
124	1046163	SWITCH PANEL UNIT, AA		1
125	1046167	HOLDER, THERMAL ASS'Y, A		1
126	1046172	SHEET, THERMAL, A		1
127	1046178	FRAME, THERMAL, A		1
128	1046179	PLATE, STRENGTHEN, B		1
129	1046182	PLATE, HOOK, C		2
130	1046183	CUSHION, THERMAL		2
131	1046184	SPRING, THERMAL, L		1
132	1046185	SPRING, THERMAL, R		1
133	1046186	SPRING, HOOK, C		2
134	1046187	BUTTON, THERMAL, AA		2
135	1046189	COVER, THERMAL MECHANISM, AA		1
136	1046194	PLATE, LOWER, A		1
137	1046199	PLATE, SUPPORT, A		1
138	1046201	HOLDER, TABLE, A		1
139	1046204	LABEL, OPERATION, BA		1
140	1046527	LABEL, OPERATION, CA		1
141	1046528	SEAL, FRONT, AA		1
142	1047051	LABEL, OPERATION, DA		1
144	X610220010	HEXAGON SCREW	INCH	2
145	1038983	COVER, POWER SWITCH, BA		1
146	1046202	LABEL, SWITCH PANEL, AA		1
201	2030792	MAIN CIRCUIT BOARD UNIT, AB		1
CN18	X600570300	CONNECTOR TCS7960-532010	3P	1
CN2	2019963	CONNECTOR, TX25-30P-LT-H1	30,1.27MM	1
CN22	2031010	CONNECTOR	21,1.25MM,	1
CN23	2031052	CONNECTOR	14,2.54MM,	1
CN28	2000300	CONNECTOR	30	1
CN29	2023764	CONNECTOR	2,3.96MM,	1
CN3	2031009	CONNECTOR	60,,	1
CN30	2000300	CONNECTOR	30	1
CN504	2031027	CONNECTOR	60,0.5MM,	1
CN6	2030860	CONNECTOR	8,1.5MM,	1
CN8	2014389	CONNECTOR	8,1.02MM	1
CN9	2019931	CONNECTOR, 285D-7660J-100	6,1.6MM	1
DSW1	2014388	DIP SWITCH	8,50V,100MA	1
DSW2	2014388	DIP SWITCH	8,50V,100MA	1
F1	2018738	FUSE	125V,3A	1
F2	2031496	FUSE	OTHERS,125V,2A,	1
F3	2031007	FUSE	OTHERS,125V,2A,	1
PIN1	2031584	CONNECTOR	4,,	1
PIN2	2031584	CONNECTOR	4,,	1
Q1	2024137	TRANSISTOR		1
Q12	2021907	NPN TRANSISTOR	60V,5A,1.8W,	1
Q13	2024137	TRANSISTOR		1
Q17	2030932	N-CH FET	BL,,,	1
Q39	2024137	TRANSISTOR		1

EPSON

TM-H6000(011)

Page 2

REF	PART NO	DESCRIPTION	SPEC	QTY
Q41	2030941	NPN TRANSISTOR	TP,,,,	1
Q42	2024137	TRANSISTOR		1
Q43	2024137	TRANSISTOR		1
Q44	2030934	P-CH FET	...	1
Q45	2030936	P-CH FET	TP...	1
Q47	2030939	NPN TRANSISTOR	1
Q5	2003595	TRANSISTOR ARRAY, TA8428K	30V,3A,1.25W,NPN+P	1
Q50	2026214	TRANSISTOR	50V,150MA,200MW,180,390	1
Q53	2030941	NPN TRANSISTOR	TP,,,,	1
Q54	2030941	NPN TRANSISTOR	TP,,,,	1
Q59	2030937	N-CH FET	...	1
Q61	2030932	N-CH FET	BL,,,	1
Q7	2030930	P-CH FET	BL,,,	1
QM2	2027918	TRANSISTOR ARRAY, FMA9A-T148	-50V,-100MA,200MW	1
QM3	2027915	TRANSISTOR ARRAY		1
QM4	2027918	TRANSISTOR ARRAY, FMA9A-T148	-50V,-100MA,200MW	1
QM5	2027918	TRANSISTOR ARRAY, FMA9A-T148	-50V,-100MA,200MW	1
QM6	2027915	TRANSISTOR ARRAY		1
QM7	2027918	TRANSISTOR ARRAY, FMA9A-T148	-50V,-100MA,200MW	1
U1	2030920	RESET IC	SOP,,	1
U10	2031246	VOLTAGE REGULATOR	DIP,3	1
U11	2030926	VOLTAGE REGULATOR	MOLD TYPE,	1
U14	2025169	HYBRID IC,		1
U16	2010103	OP AMP	SOP,8	1
U17	2025169	HYBRID IC,		1
U18	2030923	VOLTAGE REGULATOR		1
U19	2018007	HIC		1
U2	X461503209	C-MOS IC	2-INPUT OR GATE	1
U20	X461600808	DUAL 2-INPUT & GATE FLA		1
U21	X461500809	C-MOS IC	7 INPUT AND GATE	1
U3	2030911	CPU	QFP,,	1
U30	2030916	GATE ARRAY	QFP,,	1
U4	2015476	RS-232 DRIVER/RECEIVER IC, ADM202JRN	16	1
U5	2023611	TRANSISTOR		1
U509	2029176	SRAM	SOP,1MBIT,70N/SEC,32	1
U6	2023611	TRANSISTOR		1
U7	2012489	COMPARATOR	8	1
X1	2030929	CERAMIC OSCILLATOR	9.83MHZ	1
X2	2031023	CERAMIC OSCILLATOR	10.0MHZ	1
202	2019979	I/F CIRCUIT BOARD ASS'Y, A		1
203	2025611	EARTH WIRE ASS'Y, F		1
204	2030794	THERMAL UNIT SENSOR C/B ASS'Y	TM-H6000	1
205	2030796	FFC, THERMAL HEAD		1
206	2030797	CABLE, INTERMIT CIRCUIT BOARD		1
207	2030798	POWER SWITCH CABLE SET, AA		1
208	2030853	SWITCH PANEL CIRCUIT BOARD ASS'Y	TM-U675	1
209	2030855	FFC, CIRCUIT BOARD		2
210	2030857	CABLE, SWITCH PANEL		1
500	1048749	THERMAL MECHANISM ASS'Y, AB		1
501	1004399	RETAINING RING	TYPE-E(2.5)	1
502	1005019	C.B.P-TITE SCREW, 3X8, F/ZN		4
503	1005775	SHAFT HOLDER, PLATEN		1
504	1017753	C.B.B-TITE, 2X8	2X8	1
505	1029350	GEAR, DECELERATION		1
506	1029359	SPRING, PRESS HEAD		2
507	1029366	FIXED BLADE		1
508	1029377	HOLDER, N.E. DETECTOR		1
509	1029378	LEVER, N.E. DETECTOR		1
510	1029385	PAPER DETECTOR ASS'Y		1
511	1031131	PLATEN ASS'Y		1
512	1033669	SCREW, DETECTOR ADJUSTMENT		1
513	1039482	SEAL, CAUTION, HEAD B		2
514	1046459	FRAME, RIGHT		1
515	1046460	FRAME, LEFT		1
516	1046461	FRAME, MOTOR		1
517	1046462	PLATE, FRAME		1
518	1046463	COVER, FRAME		1
519	1046464	PLATE, PRESSURIZING		1
520	1046465	PLATE, RELEASE		1

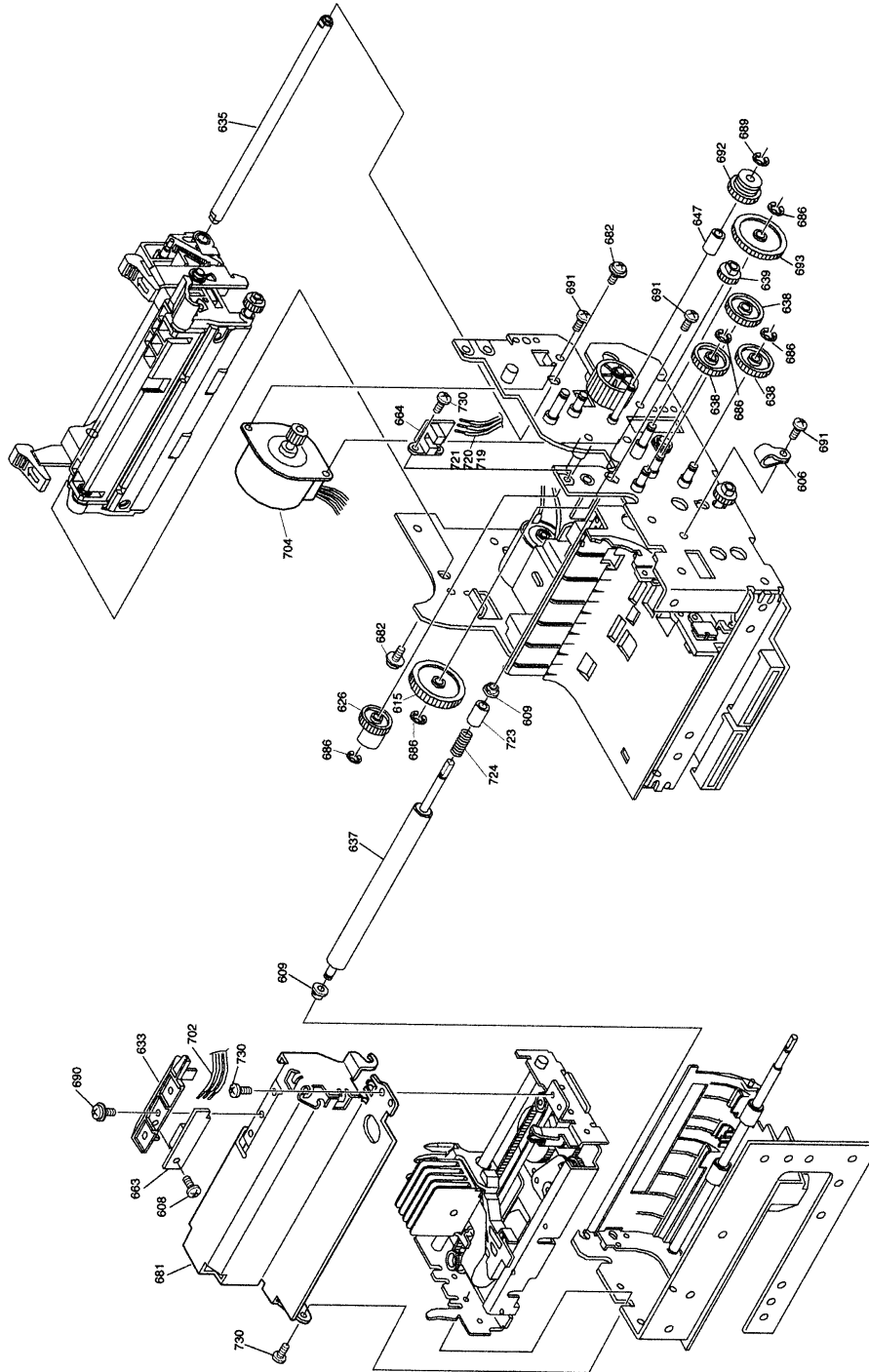
REF	PART NO	DESCRIPTION	SPEC	QTY
521	1046466	SPRING, BLADE HOLDER		1
522	1046467	SHAFT, GEAR		1
523	1046468	SPRING, COVER		2
524	1046469	SHAFT, COVER		2
525	1046470	THERMAL PRINT HEAD ASS'Y		1
526	1046471	PAPER HOLDER		1
527	1046524	INTERMIT CIRCUIT BOARD ASS'Y		1
528	1033912	FRAME, PAPER CUTTER ASS'Y		1
529	1033915	MOTOR, PAPER CUTTER SUB ASS'Y		1
530	1034028	MANUAL CUTTER		1
532	F201508030	SHIELD TUBE		4
533	F201509010	GUARD TUBE		1
534	2021871	LEAD WIRE, PAPER CUTTER		1
535	2029978	MICRO SWITCH	2.5V,0.1A	1
536	1047060	PLATE, SCREENING		1
537	B070100311	HEXAGON NUT	M3	1
538	B150300314	RETAINING RING	TYPE-E(1.5)	1
539	B150300411	RETAINING RING	TYPE-E(2)	2
540	B300804211	C.B.S-TITE, 3X6, F/ZN		13
541	2014343	DETECTOR CIRCUIT BOARD ASS'Y, A		1
542	2014923	MICRO-SWITCH		1
543	2021873	LEAD WIRE, COVER OPEN DETECTOR		1
544	2030669	MOTOR, PAPER FEED, RECEIPT, B		1
545	2030854	LEAD WIRE N.E.DETECTOR ASS'Y, B		1
546	1046596	COVER PAPER CUTTER ASS'Y, C		1
547	1048416	PLATE, RELAXATION FIXING		1
548	1006769	C.B. SCREW	2X2.5,F/ZN	3
549	1030332	SCREW, SWITCH		1
600	1048746	MECHANISM ASS'Y, AD		1
601	1004101	RIBBON FEEDING SPRING		1
602	1014409	CAP, BELT DRIVE		2
603	1048150	SPRING, PLATEN		2
604	1017350	OIL RING		2
605	1017361	HOLDER, SLIP PAPER INSERTION DETECTOR		1
606	1017982	NYLON CLIP		1
607	1019731	C.P.P-TITE SCREW	3X12	1
608	1024130	C.B.P-TITE SCREW, 3X6, F/ZN		4
609	1024687	SHAFT HOLDER, SLIP PAPER FEED ROLLER		4
610	1029924	SPRING, CARRIAGE		1
611	1046247	FRAME, FRONT REINFORCE		1
612	1046248	FRAME, FRONT		1
613	1046249	DETECTOR PLATE, LEVER DRIVE MOTOR		1
614	1046254	GEAR, LEVER MOTOR REDUCTION		1
615	1046256	GEAR, LEVER DRIVE TRANSMISSION		1
616	1046259	GEAR, LEVER DRIVE SHAFT		1
617	1046272	FORM STOPPER		1
618	1046273	SHAFT, FORM STOPPER		1
619	1046274	SPRING, FORM STOPPER		1
620	1046279	COIL, LEVER DRIVE, A		1
621	1046280	COIL, LEVER DRIVE, B		1
622	1046282	GUIDE, NOSE		1
623	1046287	LEVER, PLATEN		1
624	1046288	SPRING, PLATEN LEVER		1
625	1046289	SHAFT, PLATEN LEVER, L		2
626	1046293	CAM, PLATEN LEVER DRIVE		1
627	1046301	BELT, CARRIAGE		1
628	1046302	SPRING, BELT TENSION		1
629	1046303	SHAFT, CARRIAGE GUIDE		1
630	1046305	PULLEY, CARRIAGE TRANSMISSION		1
631	1046306	PULLEY, CARRIAGE DRIVE		1
632	1046307	GEAR, CARRIAGE DRIVE TRANSMISSION		1
633	1046310	HOLDER, PAPER EJECTION DETECTOR		1
634	1046325	GEAR, PAPER FEED TRANSMISSION		1
635	1046344	SHAFT, PAPER FEED FRAME		1
636	1046345	SHAFT, SUB SLIP FEED LEVER		1
637	1046348	SHAFT, SLIP HOLD ROLLER		1
638	1046351	GEAR, SLIP TRANSMISSION		3
639	1046353	GEAR, SLIP DRIVE		4
640	1046364	SPRING, PAPER FEED FRAME FIXING LEVER, A		1

EPSON

TM-H6000(011)

Page 4

REF	PART NO	DESCRIPTION	SPEC	QTY
641	1046365	SPRING, SUB SLIP FEED LEVER		1
642	1046366	SPRING, PAPER FEED FRAME FIXING LEVER, B		1
643	1046375	HOLDER, SLIP FEED ROLLER		1
644	1046376	HOLDER, SUB SLIP FEED ROLLER		1
645	1046377	FRAME, SLIP GUIDE UPPER		1
646	1046379	FRAME, SLIP GUIDE LOWER, B		1
647	1046380	SPACER, J/S CHANGE		1
648	1046388	ROLLER, SUB SLIP HOLD		1
649	1046389	ROLLER, SLIP FEED		1
650	1046394	PAPER GUIDE, SLIP		1
651	1046399	PLATE, PLATEN GROUND, A		1
652	1046400	PLATE, PLATEN GROUND, B		1
653	1046406	SHUTTER, MICR		1
654	1046407	SHUTTER, ENDORSEMENT PLATEN		1
656	1046413	GEAR, RIBBON REDUCTION		1
657	1046415	GEAR, RIBBON INTERMEDIATE		1
658	1046451	SCREW, PLATEN ADJUSTMENT		2
659	1046516	MOTOR, LEVER DRIVE ASS'Y		1
660	1046517	LEVER, SUB SLIP FEED SUB ASS'Y		1
662	1046525	PRINT HEAD UNIT, EB		1
663	1046547	PAPER EJECTION DETECTOR ASS'Y		1
664	1046548	FRONT COVER DETECTOR ASS'Y		1
665	1046550	LEVER DRIVE SHAFT ASS'Y		1
666	1046551	ROLLER, SUB SLIP FEED ASS'Y		1
667	1046555	MOUNTING PLATE, LEVER COIL SUB ASS'Y		1
668	1046556	SLIP B.O.F. DETECTOR ASS'Y		1
669	1046567	FRAME, PLATEN LEVER ASS'Y		1
670	1046571	LEVER, PAPER FEED FRAME FIXING R ASS'Y		1
671	1046573	SLIP T.O.F. DETECTOR ASS'Y		1
672	1046574	LEVER MOTOR T.P. DETECTOR ASS'Y		1
673	1046576	MAIN CIRCUIT BOARD, AB ASS'Y		1
674	1046577	RIBBON DRIVE PLATE ASS'Y		1
675	1046578	H.P.DETECTOR ASS'Y		1
676	1046579	INTERMEDIATE CIRCUIT BOARD ASS'Y		1
677	1046580	CARRIAGE ASS'Y		1
678	1046582	PLATEN ASS'Y		1
679	1046586	LEVER, PAPER FEED FRAME FIXING L, B ASS'Y		1
680	1046587	GEAR, RIBBON TAKE-UP ASS'Y		1
681	1046588	FRAME, CARRIAGE COVER ASS'Y		1
682	B040302411	CUP SCREW	M3X5 F/ZN	2
683	B080500111	NYLON NUT	M3	2
684	B150300314	RETAINING RING	TYPE-E(1.5)	2
685	B150300411	RETAINING RING	TYPE-E(2)	4
686	B150300611	RETAINING RING	TYPE-E(3)	11
687	B150300711	RETAINING RING	TYPE-E(4)	2
688	B150300811	RETAINING RING	TYPE-E(5)	2
689	B150350111	RETAINING RING	TYPE-E(2.3)	2
690	B300302211	CUP SCREW (S TIGHT)	M2.5X5	2
691	B300804211	C.B.S-TITEF, 3X6, F/ZN		22
692	F150102010	JOURNAL/SLIP CHANGEOVER GEAR		1
693	F150102020	PAPER FEED SECOND REDUCTION GEAR		1
694	F701225060	CRANK SHAFT HOLDER		2
695	F701251080	PAPER FEEDING TRIGGER SPRING		2
696	F703251050	PAPER FEEDING TRIGGER LEVER		2
697	2030904	MOTOR, CARRIAGE	,	1
698	2030906	CABLE, INTERMEDIATE, A	...	1
699	2030908	CABLE, INTERMEDIATE, B	...	1
700	2030909	CABLE, INTERMEDIATE, C	...	1
701	2030922	CABLE ASS'Y, PAPER EJECTION DETECTOR, A		1
702	2030924	CABLE ASS'Y, PAPER EJECTION DETECTOR, B		1
703	2030925	CABLE ASS'Y, R COVER DETECTOR		1
704	2030928	MOTOR, PAPER FEED	,	1
705	2030964	LEAD WIRE, A	.,RED,	1
706	2030966	LEAD WIRE, B	.,BLACK,	1
707	2030967	LEAD WIRE, C	.,RED,	1
708	2030968	LEAD WIRE, D	.,BLACK,	1
709	2030969	LEAD WIRE, E	.,ORANGE,	1
710	2030970	LEAD WIRE, F	.,RED,	1
711	2030972	LEAD WIRE, G	.,BLAK,	1

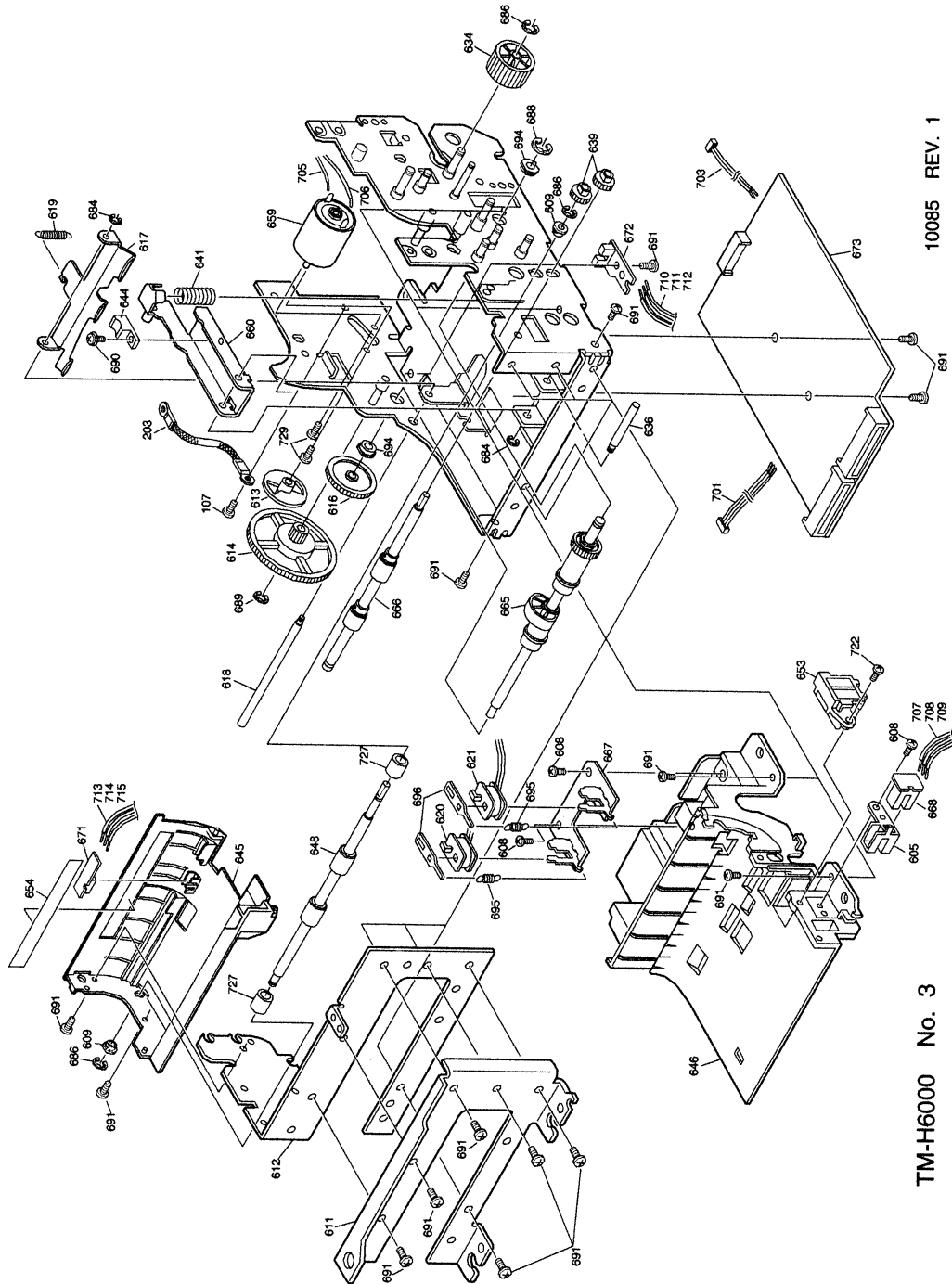


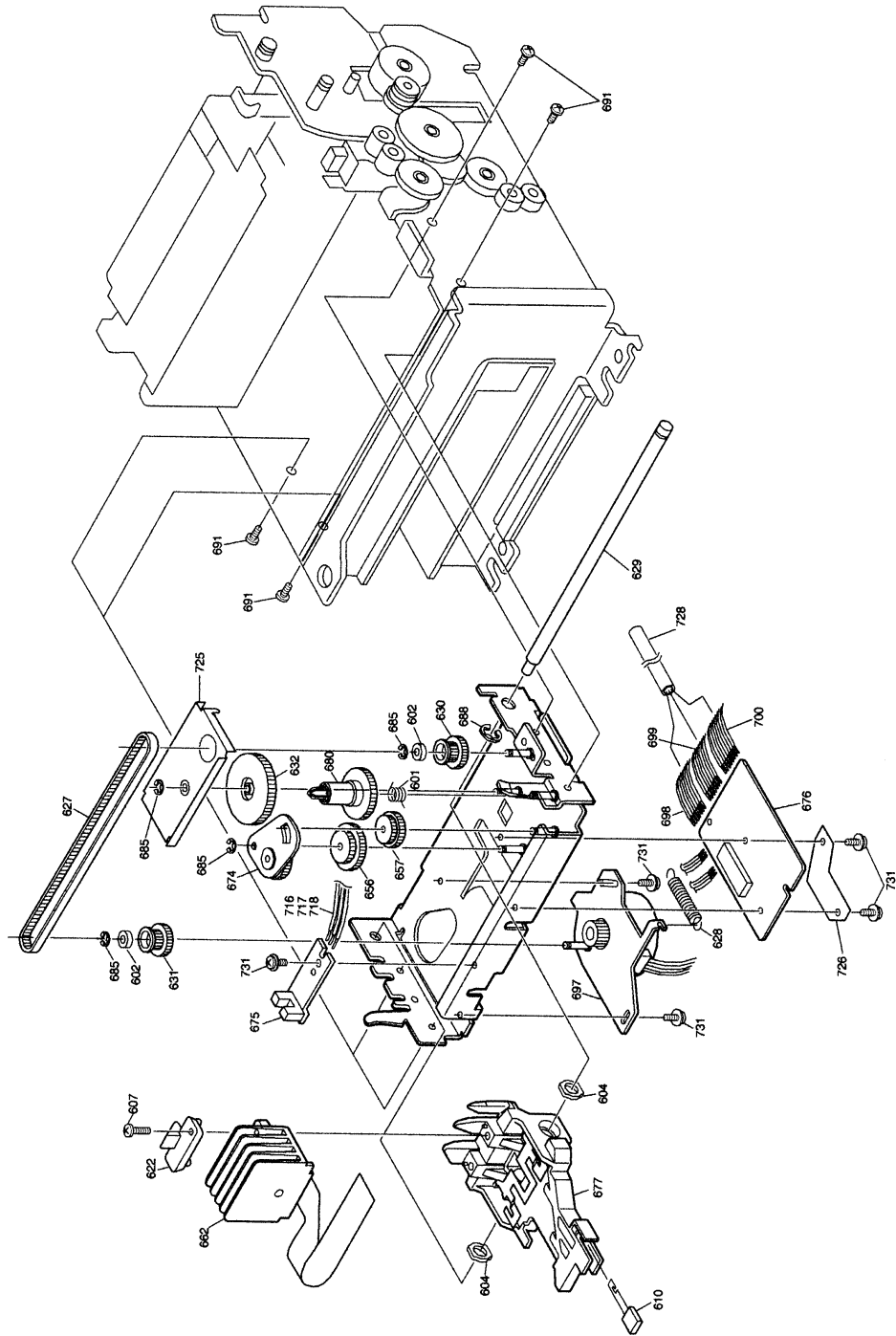
10085 REV. 1

TM-H6000 No. 2

EPSON TM-H6000(011)

Page 8



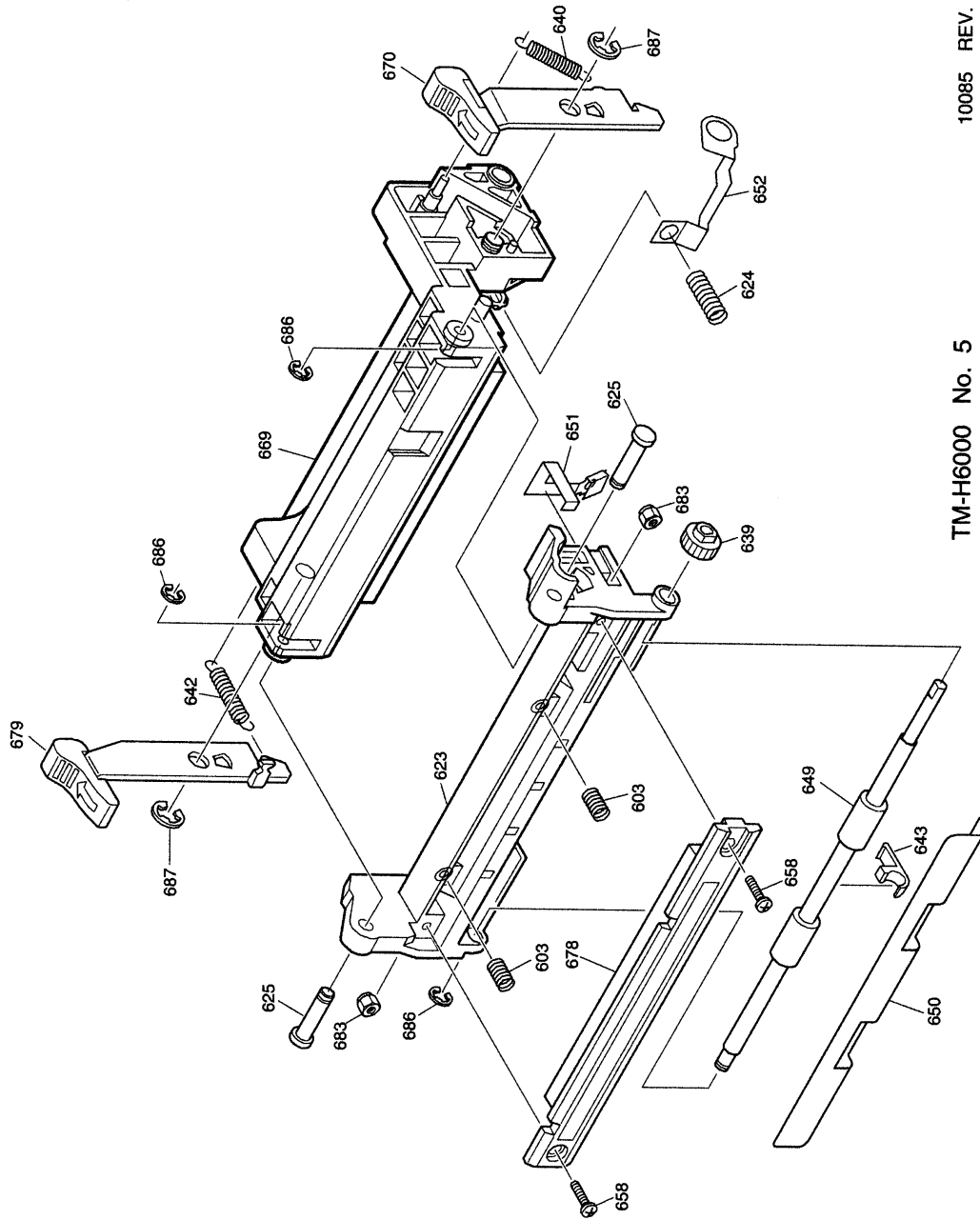


TM-H6000 No. 4

10085 REV. 1

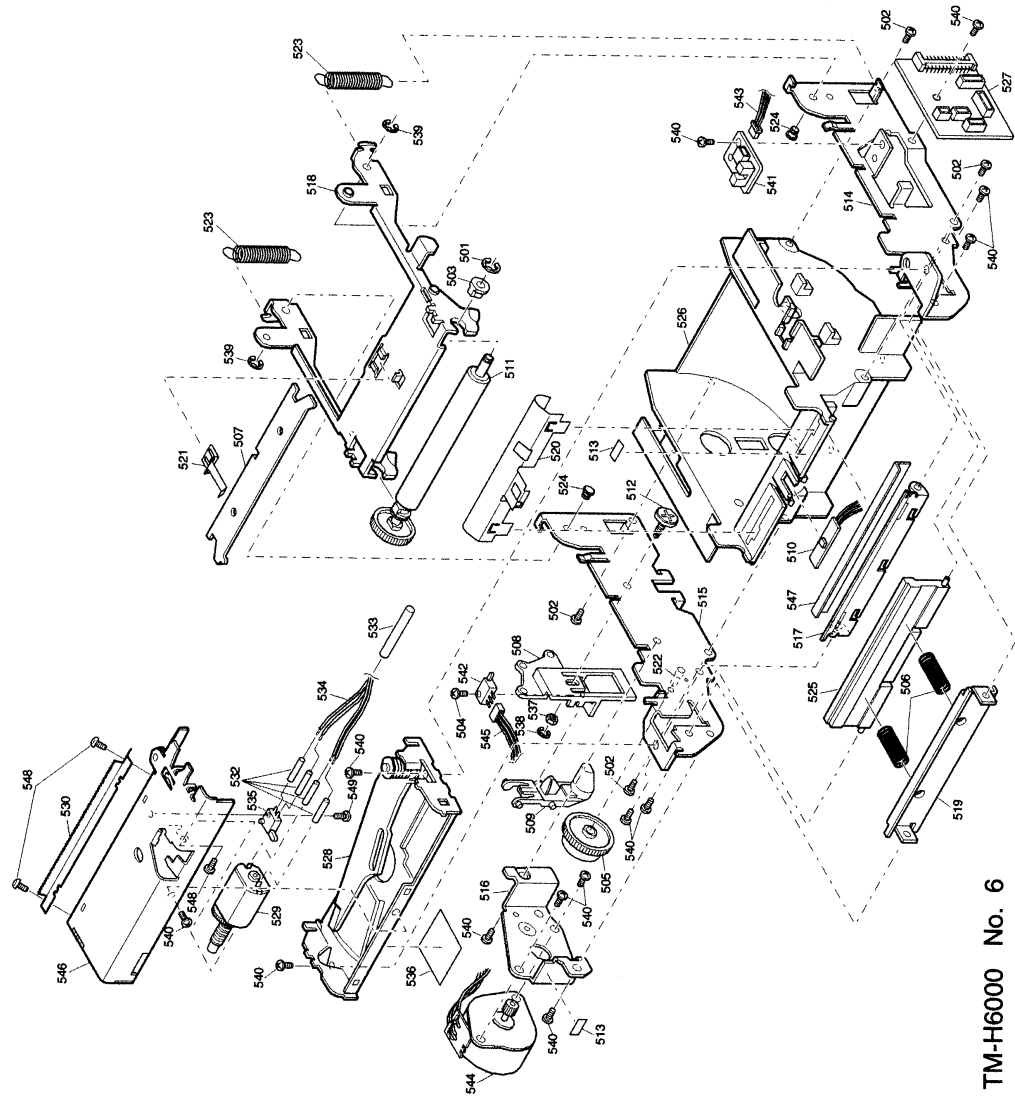
EPSON TM-H6000(011)

Page 10



10085 REV. 1

TM-H6000 No. 5



10085 REV. 1

TM-H6000 No. 6