

NB: PART NO. RATIONALISATION –10 digit part nos. in brackets are the old numbers for otherwise identical items

TM-H6000II(031)

Page 1

REF	PART NO	DESCRIPTION	SPEC	QTY
101	1046592	C.B.S-TITE F,3X4,F/ZN		5
103	1074117	C.P.T.SCREW(B018101811)	M3X10	7
104	1072922	CUP SCREW(B040350311)	M4X20	1
105	1073182	C.C.S. SCREW(B300304211)	M3X6	3
106	1073191	C.B.S-TITE F,3X6,F/ZN(B300804211)		15
107	1074121	C.P.S.(O) SCREW(B302404211)	M3X6	9
108	1073255	C.B.B.SCREW,4X12,F/ZN(B310206411)		2
109	1073288	C.B.B. SCREW(B310206811)	M4X25	2
110	1002902	CLAMP		1
111	1006007	IC COVER		1
112	1017085	PLAIN WASHER	4.2X1X12	2
113	1017079	SPACER,INSULATOR		2
114	1073521	DAMPER SPACER(F334005110)		2
115	1061077	SEAL,CAUTION,C		1
117	1052114	RUBBER FOOT		3
118	1052536	CASE,LOWER,BA		1
119	1046089	CASE,UPPER,AA		1
120	1046091	CASE,FRONT,AA		1
121	1055981	COVER,RIBBON CASSETTE ASS'Y,C		1
122	1046155	PLATE,MAIN,SUB. ASS'Y,A		1
123	1046161	CASE,THERMAL,AA		1
124	1079431	SWITCH PANEL UNIT,BB		1
125	1046167	HOLDER,THERMAL ASS'Y,A		1
126	1079434	SHEET,THERMAL,BA		1
127	1046178	FRAME,THERMAL,A		1
128	1046179	PLATE,STRENGTHEN,B		1
129	1046182	PLATE,HOOK,C		2
130	1046183	CUSHION,THERMAL		2
131	1046184	SPRING,THERMAL,L		1
132	1046185	SPRING,THERMAL,R		1
133	1046186	SPRING,HOOK,C		2
134	1060243	BUTTON,THERMAL,BA		2
135	1053858	COVER,THERMAL MECHANISM,CB		1
136	1046194	PLATE,LOWER,A		1
137	1046199	PLATE,SUPPORT,A		1
138	1046201	HOLDER,TABLE,A		1
139	1079432	LABEL,OPERATION,BB		1
140	1046527	LABEL,OPERATION,CA		1
141	1046528	SEAL,FRONT,AA		1
142	1079433	LABEL,OPERATION,DB		1
144	2053861	HEXAGOM SCREW(X610220000)	MM	2
145	1038983	COVER,POWER SWITCH,BA		1
148	1052055	SEAL,CAUTION		1
149	1039482	SEAL,CAUTION,HEAD B		1
201	2047538	MAIN CIRCUIT BOARD UNIT,AC		1
202	2033907	RS-232 I/F CIRCUIT BOARD UNIT,BB		1
203	2025611	EARTH WIRE ASS'Y,F		1
204	2030794	THERMAL UNIT SENSOR C/B ASS'Y	TM-H6000	1
205	2030796	FFC,THERMAL HEAD		1
206	2030797	CABLE,INTERMIT CIRCUIT BOARD		1
207	2030798	POWER SWITCH CABLE SET,AA		1
208	2030853	SWITCH PANEL CIRCUIT BOARD ASS'Y	TM-U675	1
209	2030855	FFC,CIRCUIT BOARD		2
210	2030857	CABLE,SWITCH PANEL		1
500	1062369	THERMAL MECHANISM ASS'Y,RA		1
501	1004399	RETAINING RING	TYPE-E(2.5)	1
502	1005019	C.B.P-TITE SCREW,3X8,F/ZN		4
503	1052054	SHAFT HOLDER,PAPER FEED ROLLER		1
504	1017753	C.B.B-TITE SCREW	2X8	1
505	1029350	GEAR,DECELERATION		1
506	1029359	SPRING,PRESS HEAD		2

EPSON

TM-H6000II(031)

Page 2

REF	PART NO	DESCRIPTION	SPEC	QTY
507	1029366	FIXED BLADE		1
508	1029377	HOLDER,N.E. DETECTOR		1
509	1029378	LEVER,N.E. DETECTOR		1
510	1029385	PAPER DETECTOR ASS'Y		1
511	1080431	PLATEN ASS'Y		1
512	1033669	SCREW,DETECTOR ADJUSTMENT		1
513	1039482	SEAL,CAUTION,HEAD B		2
514	1046459	FRAME,RIGHT		1
515	1050007	FRAME,LEFT ASS'Y		1
516	1046461	FRAME,MOTOR		1
517	1046462	PLATE,FRAME		1
518	1046463	COVER,FRAME		1
519	1046464	PLATE,PRESSURIZING		1
520	1046465	PLATE,RELAXATION		1
521	1046466	SPRING,BLADE HOLDER		1
523	1046468	SPRING,COVER		2
524	1046469	SHAFT,COVER		2
525	1062327	THERMAL PRINT HEAD ASS'Y,A		1
526	1046471	PAPER HOLDER		1
527	1046524	INTERMIT CIRCUIT BOARD ASS'Y		1
528	1053888	FRAME,PAPER CUTTER ASS'Y,A		1
529	1033915	MOTOR,PAPER CUTTER SUB ASS'Y		1
530	1034028	MANUAL CUTTER		1
532	1042315	SHIEL TUBE M-T88		4
533	1042314	GUARD TUBE M-T88		1
534	2021871	LEAD WIRE,PAPER CUTTER		1
535	2029978	MICRO SWITCH	25V0.1A	1
536	1047060	PLATE,SCREENING		1
537	1074066	HEXAGON NUT(B070100311)	M3	1
538	1074017	RETAINING RING(B150300314)	TYPE-E(1.5)F/UC	1
539	1074102	RETAINING RING(B150300411)	TYPE-E(2)	2
540	1073191	C.B.S-TITEF,3X6,F/ZN(B300804211)		12
541	2014343	DETECTOR CIRCUIT BOARD ASS'Y,A		1
542	2014923	MICRO-SWITCH		1
543	2021873	LEAD WIRE,COVER OPEN DETECTOR		1
544	2030669	MOTOR,PAPER FEED,RECEIPT,B		1
545	2030854	LEAD WIRE,N.E.DETECTOR ASS'Y		1
546	1053905	COVER PAPER CUTTER SUB ASS'Y,B		1
547	1048416	PLATE,RELAXATION FIXING		1
548	1051986	SCREW,MANUAL CUTTER		3
549	1051988	SCREW,SWITCH,1		1
550	1006769	C.B. SCREW	2X2.5F/ZN	1
551	1054342	AUTO CUTTER UNIT,E		1
600	1062639	MECHANISM ASS'Y,RC		1
601	1004101	RIBBON FEEDING SPRING		1
602	1014409	CAP,BELT DRIVE		2
603	1048150	SPRING,PLATEN		2
604	1017350	OIL RING		2
605	1017361	HOLDER, SLIP PAPER INSERTION DETECTOR		1
606	1017982	NYLON CLIP		1
607	1019731	C.P.P-TITE SCREW	3X12	1
608	1024130	C.B.P-TITE SCREW,3X6,F/ZN		4
609	1024687	SHAFT HOLDER,SLIP PF ROLLER		1
610	1029924	SPRING,CARRIAGE		1
611	1046247	FRAME,FRONT REINFORCE		1
612	1046248	FRAME,FRONT		1
613	1046249	DETECTOR PLATE,LEVER DRIVE MOTOR		1
614	1046254	GEAR,LEVER MOTOR REDUCTION		1
615	1046256	GEAR,LEVER DRIVE TRANSMISSION		1
616	1046259	GEAR,LEVER DRIVE SHAFT		1
617	1049593	FORM STOPPER,A		1
618	1046273	SHAFT,FORM STOPPER		1

EPSON

TM-H6000II(031)

Page 3

REF	PART NO	DESCRIPTION	SPEC	QTY
619	1046274	SPRING,FORM STOPPER		1
620	1046279	COIL,LEVER DRIVE,A		1
621	1046280	COIL,LEVER DRIVE,B		1
622	1046282	GUIDE,NOSE		1
623	1060416	LEVER,PLATEN,A		1
624	1046288	SPRING,PLATEN LEVER		1
625	1046289	SHAFT,PLATEN LEVER,L		2
626	1046293	CAM,PLATEN LEVER DRIVE		1
627	1046301	BELT,CARRIAGE		1
628	1046302	SPRING,BELT TENSION		1
629	1046303	SHAFT,CARRIAGE GUIDE		1
630	1046305	PULLEY,CARRIAGE TRANSMISSION		1
631	1046306	PULLEY,CARRIAGE DRIVE		1
632	1046307	GEAR,CARRIAGE DRIVE TRANSMISSION		1
633	1046310	HOLDER,PAPER EJECTION DETECTOR		1
634	1046325	GEAR,PAPER FEED TRANSMISSION		1
635	1046344	SHAFT,PAPER FEED FRAME		1
636	1046345	SHAFT,SUB SLIP FEED LEVER		1
637	1062362	SHAFT,SLIP HOLD ROLLER,A		1
638	1046351	GEAR,SLIP TRANSMISSION		3
639	1046353	GEAR,SLIP DRIVE		4
640	1046364	SPRING,PF FRAME FIXING LEVER,A		1
641	1046365	SPRING,SUB SLIP FEED LEVER		1
642	1046366	SPRING,PAPER FEED FRAME FIXING LEVER,B		1
643	1046375	HOLDER,SLIP FEED ROLLER		1
644	1046376	HOLDER,SUB SLIP FEED ROLLER		1
645	1061841	FRAME,SLIP GUIDE UPPER,A		1
646	1048009	FREME,SLIP GUID LOWER,B ASS'Y		1
648	1046388	ROLLER,SUB SLIP HOLD		1
649	1046389	ROLLER,SLIP FEED		1
650	1046394	PAPER GUIDE,SLIP		1
651	1046399	PLATE,PLATEN GROUND,A		1
652	1046400	PLATE,PLATEN GROUND,B		1
654	1046407	SHUTTER,ENDORSEMENT PLATEN		1
656	1046413	GEAR,RIBBON REDUCTION		1
657	1046415	GEAR,RIBBON INTERMEDIATE		1
658	1046451	SCREW,PLATEN ADJUSTMENT		2
659	1046516	MOTOR,LEVER DRIVE ASS'Y		1
660	1046517	LEVER,SUB SLIP FEED SUB ASS'Y		1
662	1046525	PRINT HEAD UNIT,EB		1
663	1060415	PAPER EJECTION DETECTOR ASS'Y,A		1
664	1046548	FRONT COVER DETECTOR ASS'Y		1
665	1046550	LEVER DRIVE SHAFT ASS'Y		1
666	1046551	ROLLER,SUB SLIP FEED ASS'Y		1
667	1046555	MOUNTING PLATE,LEVER COIL SUB ASS'Y		1
668	1046556	SLIP B.O.F. DETECTOR ASS'Y		1
669	1046567	FRAME,PLATEN LEVER ASS'Y		1
670	1046571	LEVER,PAPER FEED FRAME FIXING R ASS'Y		1
671	1062408	SLIP T.O.F. DETECTOR ASS'Y,B		1
672	1046574	LEVER MOTER T.P. DETECTOR ASS'Y		1
673	1062664	MAIN CIRCUIT BOARD,AD ASS'Y		1
674	1046577	RIBBON DRIVE PLATE ASS'Y		1
675	1046578	H.P.DETECTOR ASS'Y		1
676	1046579	INTERMEDIATE CIRCUIT BOARD ASS'Y		1
677	1046580	CARRIAGE ASS'Y		1
678	1046582	PLATEN ASS'Y		1
679	1046586	LEVER,PAPER FEED FRAME FIXING L,B ASS'Y		1
680	1046587	GEAR,RIBBON TAKE-UP ASS'Y		1
681	1046588	FRAME,CARRIAGE COVER ASS'Y		1

EPSON

TM-H6000II(031)

Page 4

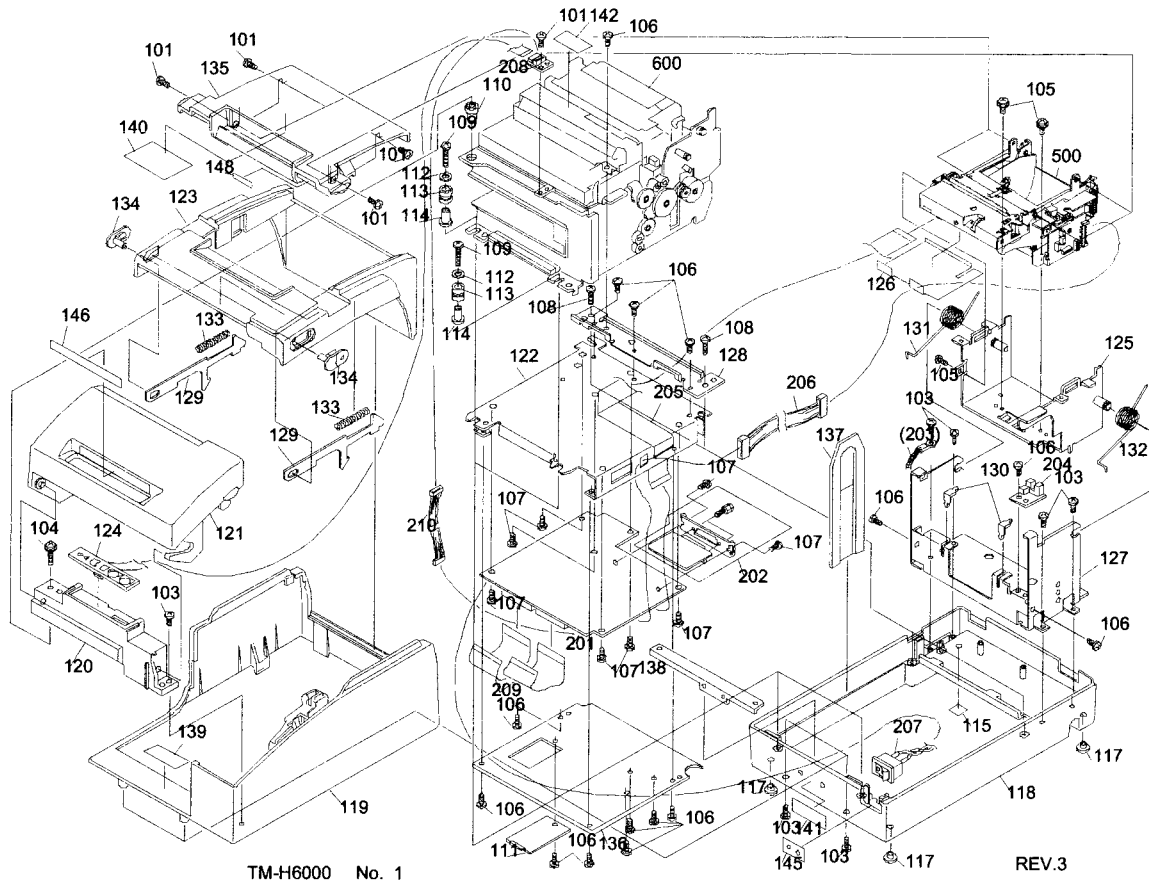
REF	PART NO	DESCRIPTION	SPEC	QTY
682	1072822	CUP SCREW(B040302411)	M3X5 F/ZN	2
683	1073971	NYLON NUT(B080500111)	M3	2
684	1074017	RETAINING RING(B150300314)	TYPE-E(1.5)F/UC	2
685	1074102	RETAINING RING(B150300411)	TYPE-E(2)	4
686	1074104	RETAINING RING(B150300611)	TYPE-E(3)	12
687	1074107	RETAINING RING(B150300711)	TYPE-E(4)	2
688	1074109	RETAINING RING(B150300811)	TYPE-E(5)	2
689	1074111	RETAINING RING(B150350111)	TYPE-E(2.3)	2
690	1073372	CUP SCREW S TIGHT(B043400811)	M2.5X5	2
691	1073191	C.B.S-TITEF,3X6,F/ZN(B300804211)		24
692	1078850	JOURNAL/SLIP CHANGEVER GEAR(F150102010)		1
693	1078851	PAPER FEED SECOND REDUCTION GEAR(F150102020)		1
694	1068400	CRANK SHAFT HOLDER(F701225060)		2
695	1065228	PAPER FEEDING TRIGGER SPRING(F701251080)		2
696	1070179	PAPER FEEDING TRIGGER LEVER(F703251050)		2
697	2030904	MOTOR,CARRIAGE		1
698	2030906	CABLE,INTERMEDIATE,A		1
699	2030908	CABLE,INTERMEDIATE,B		1
700	2030909	CABLE,INTERMEDIATE,C		1
701	2047994	CABLE ASS'Y PAPER EJECTION DETECTOR,F		1
702	2047398	CABLE ASS'Y,PAPER EJECTION DETECTOR,E		1
703	2030925	CABLE ASS'Y,R COVER DETECTOR		1
704	2030928	MOTOR,PAPER FEED		1
705	2030964	LEAD WIRE,A	RED	1
706	2030966	LEAD WIRE,B	BLACK	1
707	2030967	LEAD WIRE,C	RED	1
708	2030968	LEAD WIRE,D	BLACK	1
709	2030969	LEAD WIRE,E	ORANGE	1
710	2030970	LEAD WIRE,F	RED	1
711	2030972	LEAD WIRE,G	BLACK	1
712	2030975	LEAD WIRE,H	GRAY	1
713	2030977	LEAD WIRE,I	RED	1
714	2030978	LEAD WIRE,J	BLACK	1
715	2030979	LEAD WIRE,K	BLUE	1
716	2030980	LEAD WIRE,L	RED	1
717	2030981	LEAD WIRE,M	BLACK	1
718	2030982	LEAD WIRE,N	YELLOW	1
719	2030991	LEAD WIRE,U	RED	1
720	2030993	LEAD WIRE,V	BLACK	1
721	2030994	LEAD WIRE,W	WHITE	1
722	1005019	C.B.P-TITE SCREW,3X8,F/ZN		2
723	1048144	SLEEVE,SLIP HOLD ROLLER		1
724	1048145	SPRING,SLIP HOLD ROLLER		1
726	1048407	COVER,INTERMIT CIRCUIT BOARD		1
727	1048533	SLEEVE,SUB SLIP HOLD		2
728	2032075	TUBE,CABLE INTERMEDIATE		1
729	1006214	C.B.SCREW	2.6X4	2
730	1046592	C.B.S-TITE F,3X4,F/ZN		3
731	1074120	C.P.S.(P) SCREW(B302304211)	M3X6	5
733	1029649	SHAFT,MICR ROLLER		2
734	1029694	RETAINING RING	TYPE-E(1.2)	2
738	1046322	SPACER,MOTOR SHIELD		1
739	1046323	CASE,MOTOR SHIELD		1
741	1052142	MICR HEAD ASS'Y 1		1
742	1046429	CASE,MICR SOLENOID		1
743	1046430	FIXING PLATE,MICR LEVER		1
744	1046431	COVER,MICR SHIELD,A		1
745	1046434	CONNECTOR ASS'Y,MICR		1
746	1046436	LEVER,MICR		1
747	1046437	MICR FIXING		1
748	1046439	SOLENOID,MICR		1
749	1046441	SPRING,MICR LEVER		1

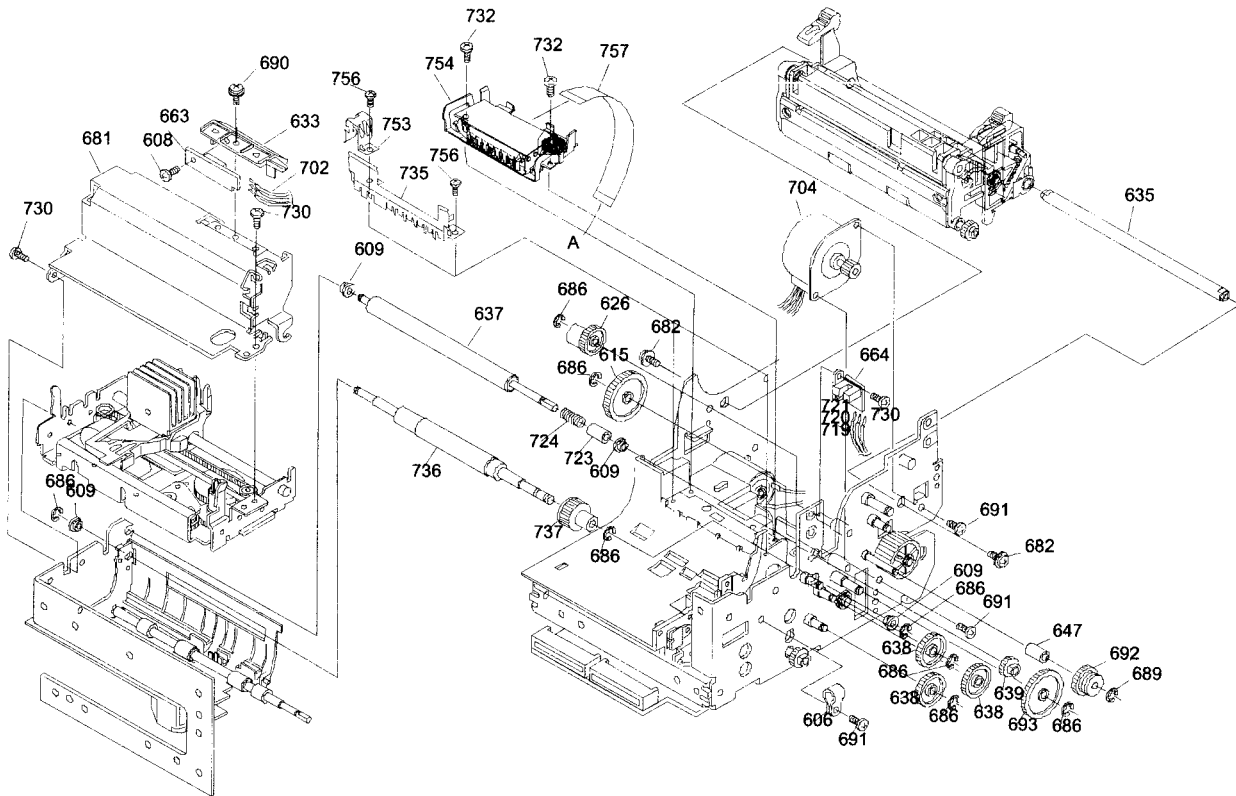
REF	PART NO	DESCRIPTION	SPEC	QTY
750	1046442	SHEET,MICR FIXING		1
751	1046435	FRAME,MICR		1
752	1047119	C.P.(S-P2),2.5X5,F/ZN		1
755	1071403	C.P.(S)SCREW,2.6X8.F/ZN(B030150511)		2
758	1051414	SEAL,HEAD		1
759	1046440	SHAFT,MICR LEVER GUIDE		2
760	2037486	LEAD WIRE,AA	PINK	1
761	1052054	SHAFT HOLDER,PAPER FEED ROLLER		3
762	1073978	PLAIN WASHER(B100151312)	3X0.2X4.6	1
END				

EPSON

TM-H6000II(031)

Page 6





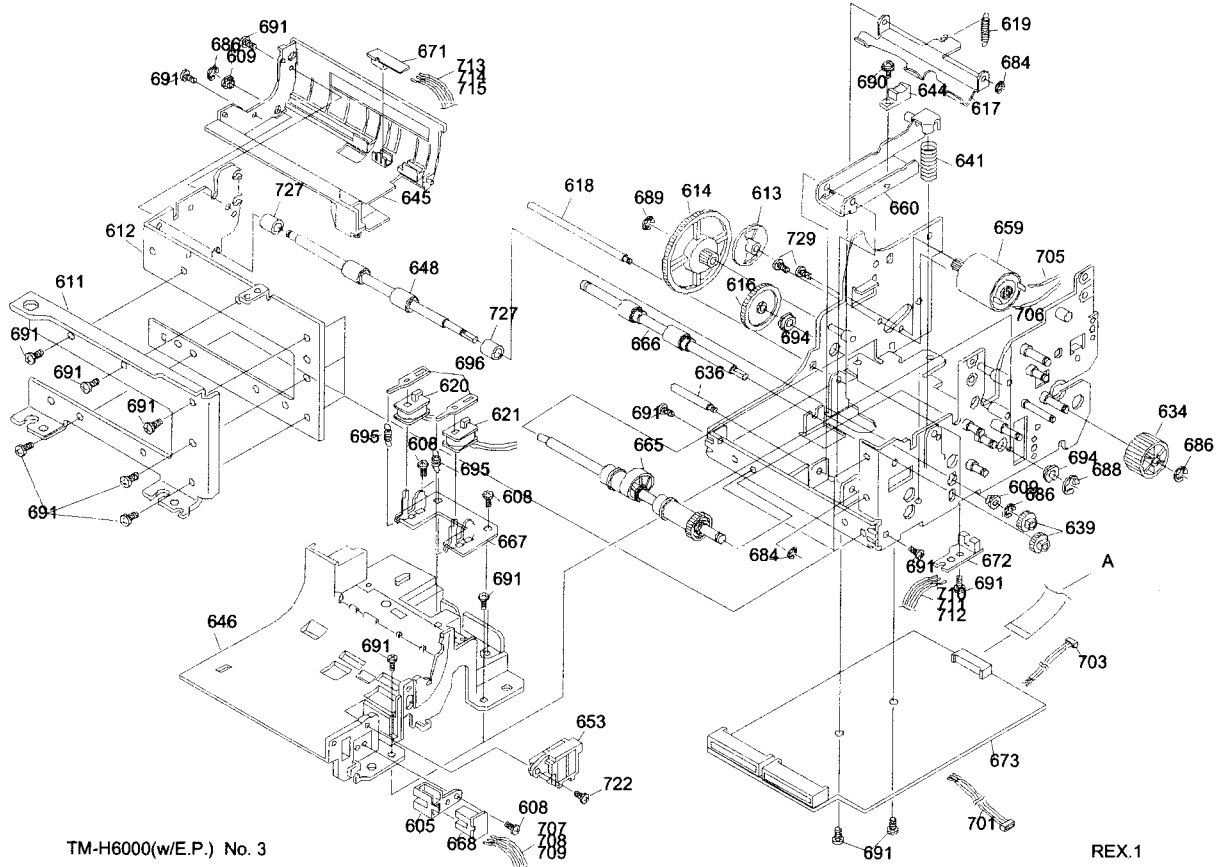
TM-H6000(w/E.P.) No. 2

REV.1

EPSON

TM-H6000II(031)

Page 8



TM-H6000(w/E.P.) No. 3

REX.1

