

NB: PART NO. RATIONALISATION –10 digit part nos. in brackets are the old numbers for otherwise identical items

TM-H6000II(041)

Page 1

| REF | PART NO | DESCRIPTION | SPEC | QTY |
|-----|---------|------------------------------------|----------|-----|
| 101 | 1046592 | C.B.S-TITE F,3X4,F/ZN | | 5 |
| 103 | 1074117 | C.P.T.SCREW (B018101811) | M3X10 | 7 |
| 104 | 1072922 | CUP SCREW (B040350311) | M4X20 | 1 |
| 105 | 1073182 | C.C.S. SCREW (B300304211) | M3X6 | 3 |
| 106 | 1073191 | C.B.S-TITE F,3X6,F/ZN (B300804211) | | 15 |
| 107 | 1074121 | C.P.S.(O) SCREW(B302404211) | M3X6 | 9 |
| 108 | 1073255 | C.B.B.SCREW,4X12,F/ZN(B310206411) | | 2 |
| 109 | 1073288 | C.B.B. SCREW(B310206811) | M4X25 | 2 |
| 110 | 1002902 | CLAMP | | 1 |
| 111 | 1006007 | IC COVER | | 1 |
| 112 | 1017085 | PLAIN WASHER | 4.2X1X12 | 2 |
| 113 | 1017079 | SPACER,INSULATOR | | 2 |
| 114 | 1073521 | DAMPER SPACER (F334005110) | | 2 |
| 115 | 1061077 | SEAL,CAUTION,C | | 1 |
| 117 | 1052114 | RUBBER FOOT | | 3 |
| 118 | 1052536 | CASE,LOWER,BA | | 1 |
| 119 | 1046089 | CASE,UPPER,AA | | 1 |
| 120 | 1046091 | CASE,FRONT,AA | | 1 |
| 121 | 1055981 | COVER,RIBBON CASSETTE ASS'Y,C | | 1 |
| 122 | 1046155 | PLATE,MAIN,SUB ASS'Y,A | | 1 |
| 123 | 1046161 | CASE,THERMAL,AA | | 1 |
| 124 | 1079431 | SWITCH PANEL UNIT,BB | | 1 |
| 125 | 1046167 | HOLDER,THERMAL ASS'Y,A | | 1 |
| 126 | 1079434 | SHEET,THERMAL,BA | | 1 |
| 127 | 1046178 | FRAME,THERMAL,A | | 1 |
| 128 | 1046179 | PLATE,STRENGTHEN,B | | 1 |
| 129 | 1046182 | PLATE,HOOK,C | | 2 |
| 130 | 1046183 | CUSHION,THERMAL | | 2 |
| 131 | 1046184 | SPRING,THERMAL,L | | 1 |
| 132 | 1046185 | SPRING,THERMAL,R | | 1 |
| 133 | 1046186 | SPRING,HOOK,C | | 2 |
| 134 | 1060243 | BUTTON,THERMAL,BA | | 2 |
| 135 | 1053858 | COVER,THERMAL MECHANISM,CB | | 1 |
| 136 | 1046194 | PLATE,LOWER,A | | 1 |
| 137 | 1046199 | PLATE,SUPPORT,A | | 1 |
| 138 | 1046201 | HOLDER,TABLE,A | | 1 |
| 139 | 1079432 | LABEL,OPERATION,BB | | 1 |
| 140 | 1046527 | LABEL,OPERATION,CA | | 1 |
| 141 | 1046528 | SEAL,FRONT,AA | | 1 |
| 142 | 1079433 | LABEL,OPERATION,DB | | 1 |
| 144 | 2053861 | HEXAGON SCREW(X610220000) | MM | 2 |
| 145 | 1038983 | COVER,POWER SWITCH,BA | | 1 |
| 148 | 1052055 | SEAL,CAUTION | | 1 |
| 149 | 1039482 | SEAL,CAUTION,HEAD B | | 1 |
| 201 | 2047679 | MAIN CIRCUIT BOARD UNIT,AD | | 1 |
| 202 | 2033907 | RS-232 I/F CIRCUIT BOARD UNIT,BB | | 1 |
| 203 | 2025611 | EARTH WIRE ASS'Y,F | | 1 |
| 204 | 2030794 | THERMAL UNIT SENSOR C/B ASS'Y | TM-H6000 | 1 |
| 205 | 2030796 | FFC,THERMAL HEAD | | 1 |
| 206 | 2030797 | CABLE,INTERMIT CIRCUIT BOARD | | 1 |
| 207 | 2030798 | POWER SWITCH CABLE SET,AA | | 1 |

EPSON

TM-H6000II(041)

Page 2

| REF | PART NO | DESCRIPTION | SPEC | QTY |
|-----|---------|----------------------------------|-----------------|-----|
| 208 | 2030853 | SWITCH PANEL CIRCUIT BOARD ASS'Y | TM-U675 | 1 |
| 209 | 2030855 | FFC,CIRCUIT BOARD | | 2 |
| 210 | 2030857 | CABLE,SWITCH PANEL | | 1 |
| 500 | 1062369 | THERMAL MECHANISM ASS'Y,RA | | 1 |
| 501 | 1004399 | RETAINING RING | TYPE-E(2.5) | 1 |
| 502 | 1005019 | C.B.P-TITE SCREW,3X8,F/ZN | | 4 |
| 503 | 1052054 | SHAFT HOLDER,PAPER FEED ROLLER | | 1 |
| 504 | 1017753 | C.B.B-TITE SCREW | 2X8 | 1 |
| 505 | 1029350 | GEAR,DECELERATION | | 1 |
| 506 | 1029359 | SPRING,PRESS HEAD | | 2 |
| 507 | 1029366 | FIXED BLADE | | 1 |
| 508 | 1029377 | HOLDER,N.E. DETECTOR | | 1 |
| 509 | 1029378 | LEVER,N.E. DETECTOR | | 1 |
| 510 | 1029385 | PAPER DETECTOR ASS'Y | | 1 |
| 511 | 1080431 | PLATEN ASS'Y | | 1 |
| 512 | 1033669 | SCREW,DETECTOR ADJUSTMENT | | 1 |
| 513 | 1039482 | SEAL,CAUTION,HEAD B | | 2 |
| 514 | 1046459 | FRAME,RIGHT | | 1 |
| 515 | 1050007 | FRAME,LEFT ASS'Y | | 1 |
| 516 | 1046461 | FRAME,MOTOR | | 1 |
| 517 | 1046462 | PLATE,FRAME | | 1 |
| 518 | 1046463 | COVER,FRAME | | 1 |
| 519 | 1046464 | PLATE,PRESSURIZING | | 1 |
| 520 | 1046465 | PLATE,RELAXATION | | 1 |
| 521 | 1046466 | SPRING,BLADE HOLDER | | 1 |
| 523 | 1046468 | SPRING,COVER | | 2 |
| 524 | 1046469 | SHAFT,COVER | | 2 |
| 525 | 1062327 | THERMAL PRINT HEAD ASS'Y,A | | 1 |
| 526 | 1046471 | PAPER HOLDER | | 1 |
| 527 | 1046524 | INTERMIT CIRCUIT BOARD ASS'Y | | 1 |
| 528 | 1053888 | FRAME,PAPER CUTTER ASS'Y,A | | 1 |
| 529 | 1033915 | MOTOR,PAPER CUTTER SUB ASS'Y | | 1 |
| 530 | 1034028 | MANUAL CUTTER | | 1 |
| 532 | 1042315 | SHIEL TUBE M-T88 | | 4 |
| 533 | 1042314 | GUARD TUBE M-T88 | | 1 |
| 534 | 2021871 | LEAD WIRE,PAPER CUTTER | | 1 |
| 535 | 2029978 | MICRO SWITCH | 25V0.1A | 1 |
| 536 | 1047060 | PLATE,SCREENING | | 1 |
| 537 | 1074066 | HEXAGON NUT(B070100311) | M3 | 1 |
| 538 | 1074017 | RETAINING RING(B150300314) | TYPE-E(1.5)F/UC | 1 |
| 539 | 1074102 | RETAINING RING(B150300411) | TYPE-E(2) | 2 |
| 540 | 1073191 | C.B.S-TITEF,3X6,F/ZN(B300804211) | | 12 |
| 541 | 2014343 | DETECTOR CIRCUIT BOARD ASS'Y,A | | 1 |
| 542 | 2014923 | MICRO-SWITCH | | 1 |
| 543 | 2021873 | LEAD WIRE,COVER OPEN DETECTOR | | 1 |
| 544 | 2030669 | MOTOR,PAPER FEED,RECEIPT,B | | 1 |
| 545 | 2030854 | LEAD WIRE,N.E.DETECTOR ASS'Y | | 1 |
| 546 | 1053905 | COVER PAPER CUTTER SUB ASS'Y,B | | 1 |
| 547 | 1048416 | PLATE,RELAXATION FIXING | | 1 |
| 548 | 1051986 | SCREW,MANUAL CUTTER | | 3 |
| 549 | 1051988 | SCREW,SWITCH,1 | | 1 |
| 550 | 1006769 | C.B. SCREW | 2X2.5F/ZN | 1 |
| 551 | 1054342 | AUTO CUTTER UNIT,E | | 1 |

EPSON

TM-H6000II(041)

Page 3

| REF | PART NO | DESCRIPTION | SPEC | QTY |
|-----|---------|--|------|-----|
| 600 | 1062641 | MECHANISM ASS'Y,RD | | 1 |
| 601 | 1004101 | RIBBON FEEDING SPRING | | 1 |
| 602 | 1014409 | CAP,BELT DRIVE | | 2 |
| 603 | 1048150 | SPRING,PLATEN | | 2 |
| 604 | 1017350 | OIL RING | | 2 |
| 605 | 1017361 | HOLDER, SLIP PAPER INSERTION DETECTOR | | 1 |
| 606 | 1017982 | NYLON CLIP | | 1 |
| 607 | 1019731 | C.P.P-TITE SCREW | 3X12 | 1 |
| 608 | 1024130 | C.B.P-TITE SCREW,3X6,F/ZN | | 4 |
| 609 | 1024687 | SHAFT HOLDER,SLIP PAPER FEED ROLLER | | 2 |
| 610 | 1029924 | SPRING,CARRIAGE | | 1 |
| 611 | 1046247 | FRAME,FRONT REINFORCE | | 1 |
| 612 | 1046248 | FRAME,FRONT | | 1 |
| 613 | 1046249 | DETECTOR PLATE,LEVER DRIVE MOTOR | | 1 |
| 614 | 1046254 | GEAR,LEVER MOTOR REDUCTION | | 1 |
| 615 | 1046256 | GEAR,LEVER DRIVE TRANSMISSION | | 1 |
| 616 | 1046259 | GEAR,LEVER DRIVE SHAFT | | 1 |
| 617 | 1049593 | FORM STOPPER,A | | 1 |
| 618 | 1046273 | SHAFT,FORM STOPPER | | 1 |
| 619 | 1046274 | SPRING,FORM STOPPER | | 1 |
| 620 | 1046279 | COIL,LEVER DRIVE,A | | 1 |
| 621 | 1046280 | COIL,LEVER DRIVE,B | | 1 |
| 622 | 1046282 | GUIDE,NOSE | | 1 |
| 623 | 1060416 | LEVER,PLATEN,A | | 1 |
| 624 | 1046288 | SPRING,PLATEN LEVER | | 1 |
| 625 | 1046289 | SHAFT,PLATEN LEVER,L | | 2 |
| 626 | 1046293 | CAM,PLATEN LEVER DRIVE | | 1 |
| 627 | 1046301 | BELT,CARRIAGE | | 1 |
| 628 | 1046302 | SPRING,BELT TENSION | | 1 |
| 629 | 1046303 | SHAFT,CARRIAGE GUIDE | | 1 |
| 630 | 1046305 | PULLEY,CARRIAGE TRANSMISSION | | 1 |
| 631 | 1046306 | PULLEY,CARRIAGE DRIVE | | 1 |
| 632 | 1046307 | GEAR,CARRIAGE DRIVE TRANSMISSION | | 1 |
| 633 | 1046310 | HOLDER,PAPER EJECTION DETECTOR | | 1 |
| 634 | 1046325 | GEAR,PAPER FEED TRANSMISSION | | 1 |
| 635 | 1046344 | SHAFT,PAPER FEED FRAME | | 1 |
| 636 | 1046345 | SHAFT,SUB SLIP FEED LEVER | | 1 |
| 637 | 1062362 | SHAFT,SLIP HOLD ROLLER,A | | 1 |
| 638 | 1046351 | GEAR,SLIP TRANSMISSION | | 3 |
| 639 | 1046353 | GEAR,SLIP DRIVE | | 4 |
| 640 | 1046364 | SPRING,PAPER FEED FRAME FIXING LEVER,A | | 1 |
| 641 | 1046365 | SPRING,SUB SLIP FEED LEVER | | 1 |
| 642 | 1046366 | SPRING,PAPER FEED FRAME FIXING LEVER,B | | 1 |
| 643 | 1046375 | HOLDER,SLIP FEED ROLLER | | 1 |
| 644 | 1046376 | HOLDER,SUB SLIP FEED ROLLER | | 1 |
| 645 | 1061841 | FRAME,SLIP GUIDE UPPER,A | | 1 |
| 646 | 1049094 | FRAME,SLIP GUIDE LOWER,AB ASS'Y | | 1 |
| 648 | 1046388 | ROLLER,SUB SLIP HOLD | | 1 |
| 649 | 1046389 | ROLLER,SLIP FEED | | 1 |
| 650 | 1046394 | PAPER GUIDE,SLIP | | 1 |

EPSON

TM-H6000II(041)

Page 4

| REF | PART NO | DESCRIPTION | SPEC | QTY |
|-----|---------|--|-----------------|-----|
| 651 | 1046399 | PLATE,PLATEN GROUND,A | | 1 |
| 652 | 1046400 | PLATE,PLATEN GROUND,B | | 1 |
| 653 | 1046406 | SHUTTER,MICR | | 1 |
| 656 | 1046413 | GEAR,RIBBON REDUCTION | | 1 |
| 657 | 1046415 | GEAR,RIBBON INTERMEDIATE | | 1 |
| 658 | 1046451 | SCREW,PLATEN ADJUSTMENT | | 2 |
| 659 | 1046516 | MOTOR,LEVER DRIVE ASS'Y | | 1 |
| 660 | 1046517 | LEVER,SUB SLIP FEED SUB ASS'Y | | 1 |
| 662 | 1046525 | PRINT HEAD UNIT,EB | | 1 |
| 663 | 1060415 | PAPER EJECTION DETECTOR ASS'Y,A | | 1 |
| 664 | 1046548 | FRONT COVER DETECTOR ASS'Y | | 1 |
| 665 | 1046550 | LEVER DRIVE SHAFT ASS'Y | | 1 |
| 666 | 1046551 | ROLLER,SUB SLIP FEED ASS'Y | | 1 |
| 667 | 1046555 | MOUNTING PLATE,LEVER COIL SUB ASS'Y | | 1 |
| 668 | 1046556 | SLIP B.O.F. DETECTOR ASS'Y | | 1 |
| 669 | 1046567 | FRAME,PLATEN LEVER ASS'Y | | 1 |
| 670 | 1046571 | LEVER,PAPER FEED FRAME FIXING R ASS'Y | | 1 |
| 671 | 1062408 | SLIP T.O.F. DETECTOR ASS'Y,B | | 1 |
| 672 | 1046574 | LEVER MOTER T.P. DETECTOR ASS'Y | | 1 |
| 673 | 1060418 | MAIN CIRCUIT BOARD,AC ASS'Y | | 1 |
| 674 | 1046577 | RIBBON DRIVE PLATE ASS'Y | | 1 |
| 675 | 1046578 | H.P.DETECTOR ASS'Y | | 1 |
| 676 | 1046579 | INTERMEDIATE CIRCUIT BOARD ASS'Y | | 1 |
| 677 | 1046580 | CARRIAGE ASS'Y | | 1 |
| 678 | 1046582 | PLATEN ASS'Y | | 1 |
| 679 | 1046586 | LEVER,PAPER FEED FRAME FIXING L,B ASS'Y | | 1 |
| 680 | 1046587 | GEAR,RIBBON TAKE-UP ASS'Y | | 1 |
| 681 | 1046588 | FRAME,CARRIAGE COVER ASS'Y | | 1 |
| 682 | 1072822 | CUP SCREW(B040302411) | M3X5 F/ZN | 2 |
| 683 | 1073971 | NYLON NUT(B080500111) | M3 | 2 |
| 684 | 1074017 | RETAINING RING(B150300314) | TYPE-E(1.5)F/UC | 2 |
| 685 | 1074102 | RETAINING RING(B150300411) | TYPE-E(2) | 4 |
| 686 | 1074104 | RETAINING RING(B150300611) | TYPE-E(3) | 15 |
| 687 | 1074107 | RETAINING RING(B150300711) | TYPE-E(4) | 2 |
| 688 | 1074109 | RETAINING RING(B150300811) | TYPE-E(5) | 2 |
| 689 | 1074111 | RETAINING RING(B150350111) | TYPE-E(2,3) | 2 |
| 690 | 1073372 | CUP SCREW S TIGHT(B043400811) | M2.5X5 | 2 |
| 691 | 1073191 | C.B.S-TITEF,3X6,F/ZN(B300804211) | | 22 |
| 692 | 1078850 | JOURNAL/SLIP CHANGEVER GEAR(F150102010) | | 1 |
| 693 | 1078851 | PAPER FEED SECOND REDUCTION GEAR(F150102020) | | 1 |
| 694 | 1068400 | CRANK SHAFT HOLDER(F701225060) | | 2 |
| 695 | 1065228 | PAPER FEEDING TRIGGER SPRING(F701251080) | | 2 |
| 696 | 1070179 | PAPER FEEDING TRIGGER LEVER(F703251050) | | 2 |
| 697 | 2030904 | MOTOR,CARRIAGE | | 1 |
| 698 | 2030906 | CABLE,INTERMEDIATE,A | | 1 |
| 699 | 2030908 | CABLE,INTERMEDIATE,B | | 1 |
| 700 | 2030909 | CABLE,INTERMEDIATE,C | | 1 |
| 701 | 2047994 | CABLE ASS'Y PAPER EJECTION DETECTOR,F | | 1 |
| 702 | 2047398 | CABLE ASS'Y,PAPER EJECTION DETECTOR,E | | 1 |
| 703 | 2030925 | CABLE ASS'Y,R COVER DETECTOR | | 1 |
| 704 | 2030928 | MOTOR,PAPER FEED | | 1 |
| 705 | 2030964 | LEAD WIRE,A | RED | 1 |
| 706 | 2030966 | LEAD WIRE,B | BLACK | 1 |

EPSON

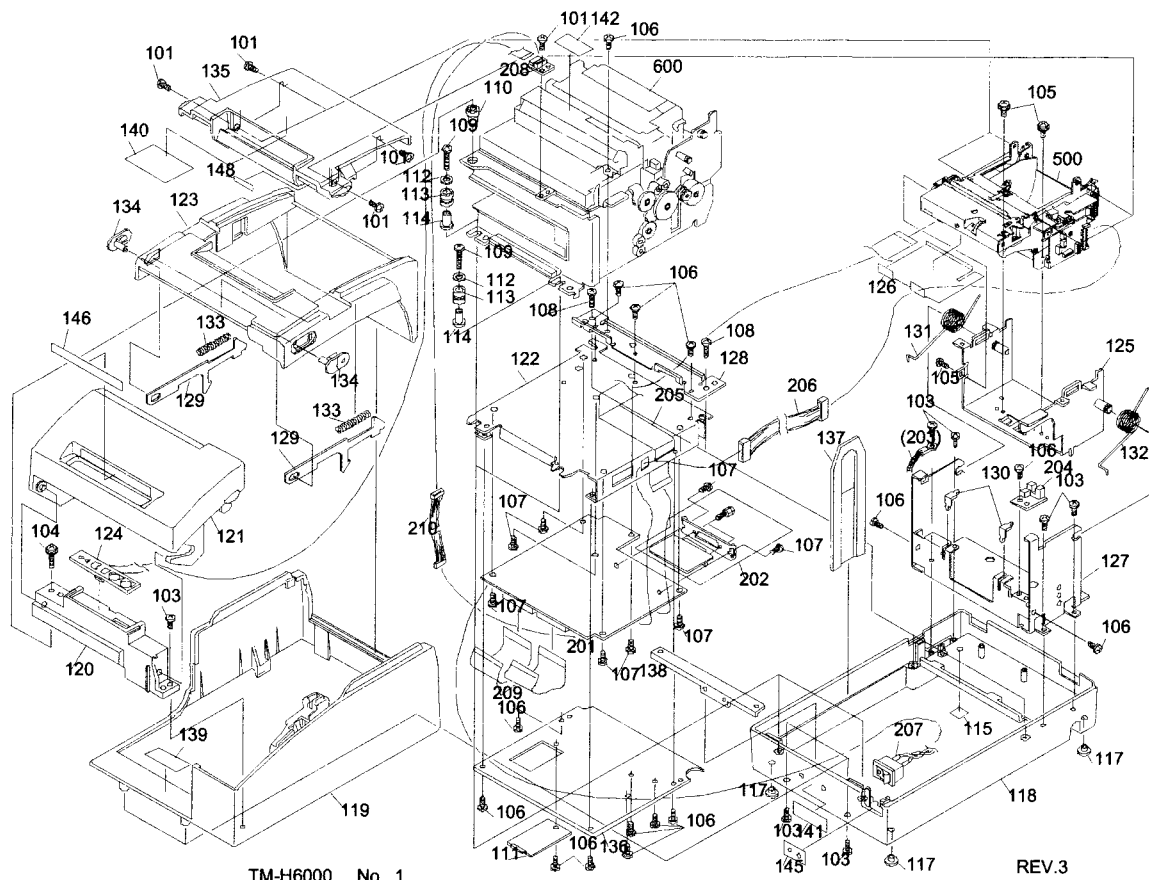
TM-H6000II(041)

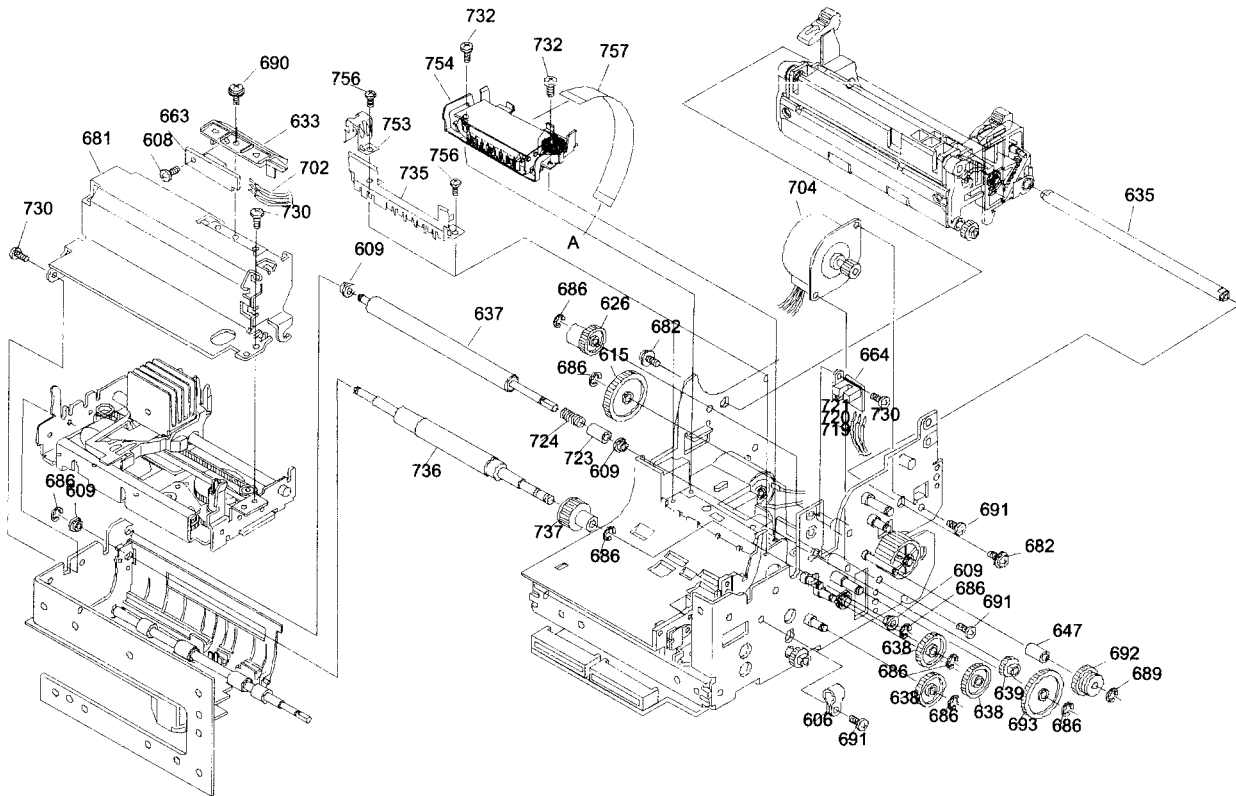
| REF | PART NO | DESCRIPTION | SPEC | QTY |
|-----|---------|--------------------------------|-----------|-----|
| 707 | 2030967 | LEAD WIRE,C | RED | 1 |
| 708 | 2030968 | LEAD WIRE,D | BLACK | 1 |
| 709 | 2030969 | LEAD WIRE,E | ORANGE | 1 |
| 710 | 2030970 | LEAD WIRE,F | RED | 1 |
| 711 | 2030972 | LEAD WIRE,G | BLACK | 1 |
| 712 | 2030975 | LEAD WIRE,H | GRAY | 1 |
| 713 | 2030977 | LEAD WIRE,I | RED | 1 |
| 714 | 2030978 | LEAD WIRE,J | BLACK | 1 |
| 715 | 2030979 | LEAD WIRE,K | BLUE | 1 |
| 716 | 2030980 | LEAD WIRE,L | RED | 1 |
| 717 | 2030981 | LEAD WIRE,M | BLACK | 1 |
| 718 | 2030982 | LEAD WIRE,N | YELLOW | 1 |
| 719 | 2030991 | LEAD WIRE,U | RED | 1 |
| 720 | 2030993 | LEAD WIRE,V | BLACK | 1 |
| 721 | 2030994 | LEAD WIRE,W | WHITE | 1 |
| 722 | 1005019 | C.B.P-TITE SCREW,3X8,F/ZN | | 1 |
| 723 | 1048144 | SLEEVE,SLIP HOLD ROLLER | | 1 |
| 724 | 1048145 | SPRING,SLIP HOLD ROLLER | | 1 |
| 726 | 1048407 | COVER,INTERMIT CIRCUIT BOARD | | 1 |
| 727 | 1048533 | SLEEVE,SUB SLIP HOLD | | 2 |
| 728 | 2032075 | TUBE,CABLE INTERMEDIATE | | 1 |
| 729 | 1006214 | C.B.SCREW | 2.6X4 | 2 |
| 730 | 1046592 | C.B.S-TITE F,3X4,F/ZN | | 3 |
| 731 | 1074120 | C.P.S.(P) SCREW(B302304211) | M3X6 | 5 |
| 732 | 1025130 | C.B.P.SCREW,2.5X6,F/ZN | | 2 |
| 735 | 1046284 | GUIDE,ENDORSEMENT HEAD | | 1 |
| 736 | 1046285 | PLATEN,ENDORSEMENT HEAD | | 1 |
| 737 | 1046286 | GEAR,ENDORSEMENT PLATEN | | 1 |
| 753 | 1047478 | PLATE,ENDORSEMENT GROUND | | 1 |
| 754 | 1047691 | ENDORSEMENT PRINTER UNIT,AA | | 1 |
| 756 | 1025172 | C.P.S.P.SCREW(B040550211) | M3X8 | 2 |
| 757 | 2030900 | CABLE,ENDORSEMENT HEAD | | 1 |
| 758 | 1051414 | SEAL,HEAD | | 1 |
| 760 | 2037486 | LEAD WIRE,AA | PINK | 1 |
| 761 | 1052054 | SHAFT HOLDER,PAPER FEED ROLLER | | 4 |
| 762 | 1073978 | PLAIN WASHER(B100151312) | 3X0.2X4.6 | 1 |
| END | | | | |
| | | | | |
| | | | | |
| | | | | |
| | | | | |

EPSON

TM-H6000II(041)

Page 6





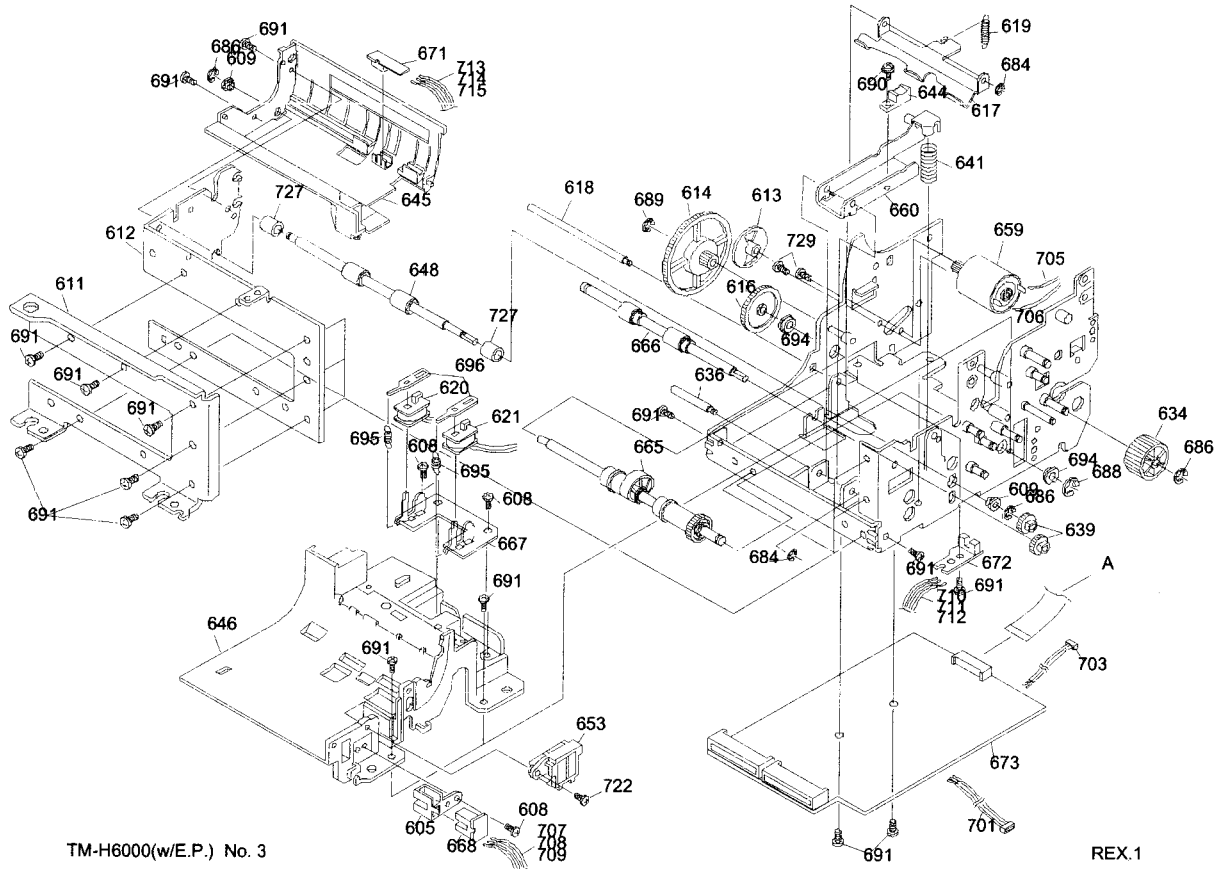
TM-H6000(w/E.P.) No. 2

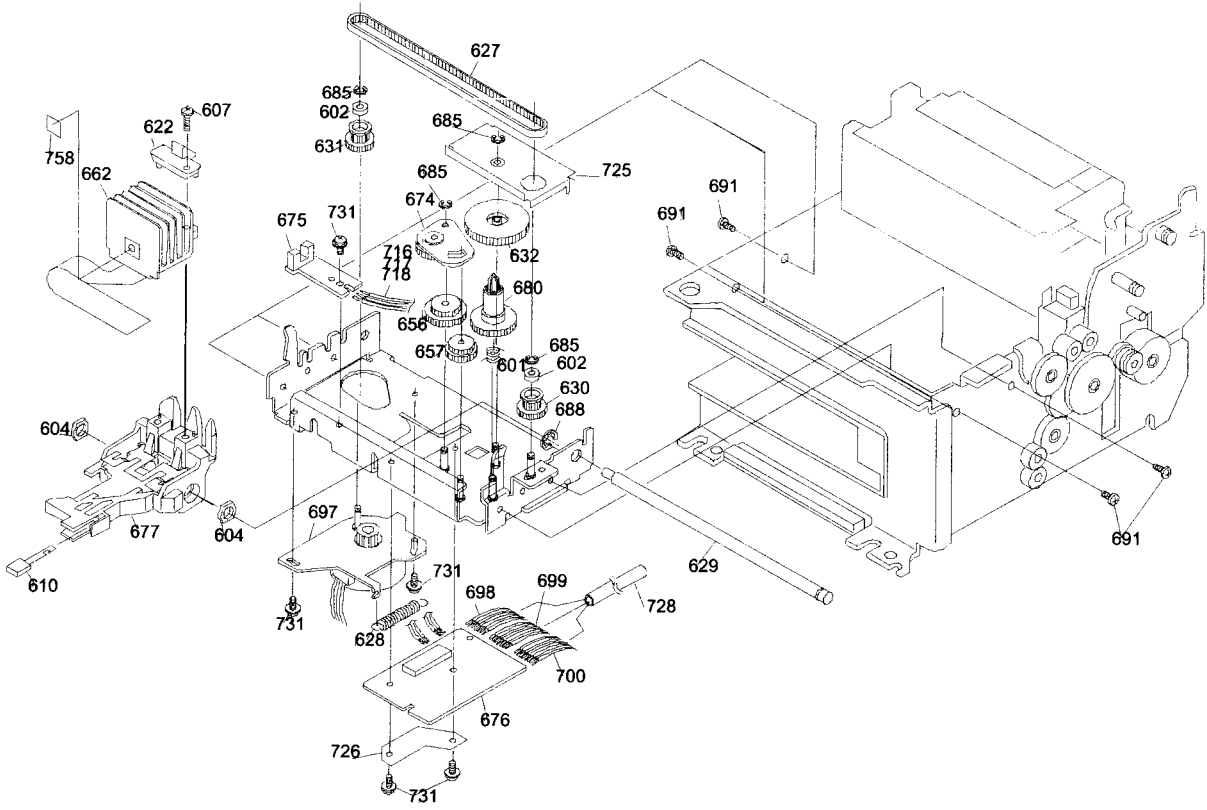
REV.1

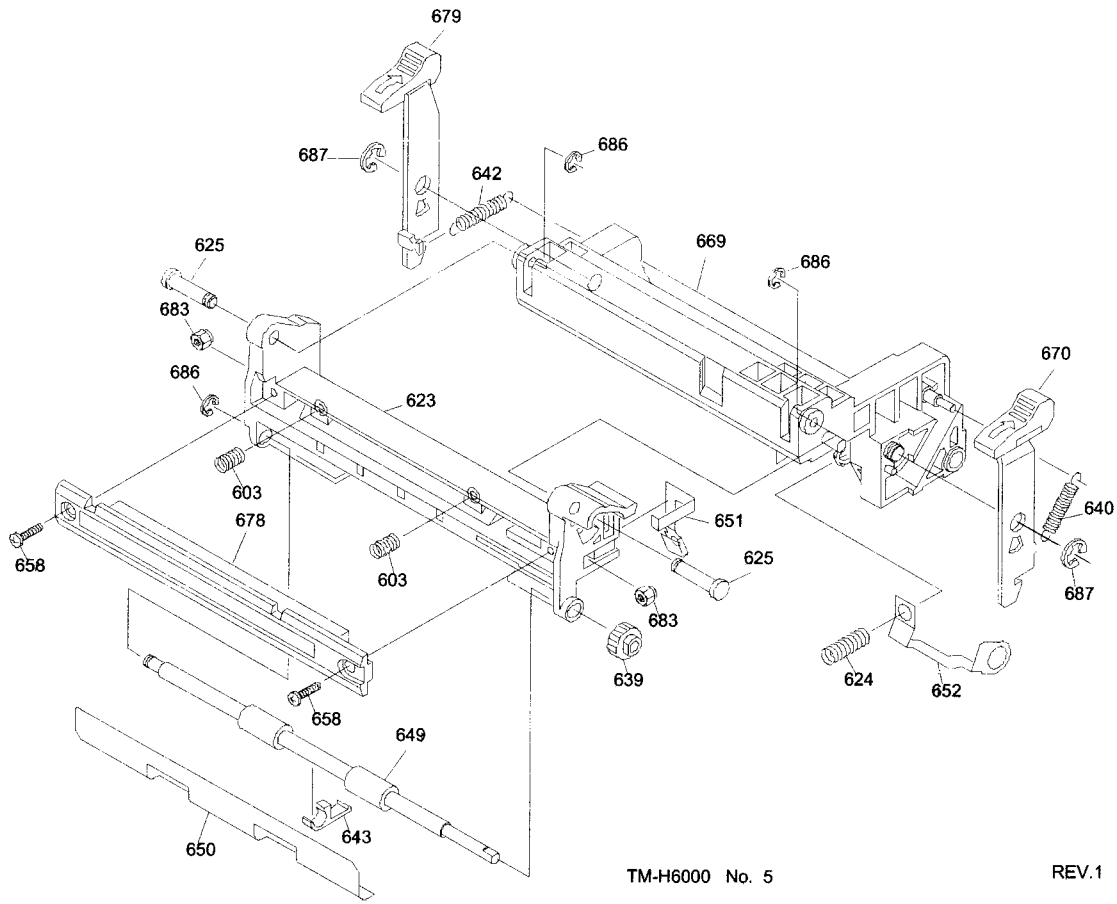
EPSON

TM-H6000II(041)

Page 8







TM-H6000 No. 5

REV.1

EPSON

TM-H6000II(041)

Page 11

