

***NB: Part Number rationalisation – 10 digit part numbers in brackets are the old numbers for otherwise identical items***

## TM-J7000P(011)

***Page No.:1***

REF.	PART NO	DESCRIPTION	SPEC	QTY
103	1021064	SPACER,VIBRATION		3
104	1024844	SLEEVE		3
106	1061077	SEAL,CAUTION,C		1
107	1075187	RUBBER FOOT(Y583001013)	199-1708	4
108	1108532	SWITCH PANEL,AA		1
109	1109911	SPRING,COVER OPEN		1
110	1113343	LABEL,OPERATION,AA		1
111	1113344	LABEL,OPERATION,BA		1
112	1113345	LABEL,OPERATION,CA		1
113	1113351	SPACER,4X8.5X5.3,F/ZN		5
114	1108519	CASE,UPPER,AA		1
115	1108520	CASE,LOWER,AA		1
116	1108527	COVER,ROLL PAPER,AA		1
117	1108528	COVER,CARRIAGE,AA		1
118	1108529	BUTTON,OPEN,AA		1
119	1108526	CASE,FRONT,AA		1
122	1038983	COVER,POWER SWITCH,BA		1
123	2048039	PARALLEL I/F CIRCUIT BOARD UNIT,D		1
124	1062174	LOGO PLATE,AB		1
201	2077985	MAIN CIRCUIT BOARD UNIT,AB		1
501	1017361	HOLDER, SLIP PR INSERTION DETECTOR		1
502	1024687	SHAFT HOLDER,SLIP PAPER FEED ROLLER		1
503	1046556	SLIP B.O.F. DETECTOR ASSY		1
504	1051988	SCREW,SWITCH,I		2
505	1056083	INSULATOR,PF MOTOR		6
506	1078850	JNL/SLIP CHANGEOVER GEAR(F150102010)		1
507	1109501	LEVER,PAPER GUIDE CENTRE DRIVE		1
509	1109653	PLATE,PAPER ROUTE CHANGE		1
510	1109671	LEVER,PAPER DETECTOR		1
511	1109680	PARTITION PLATE		1
512	1109704	JOINT,TUBE		1
513	1109843	SHAFT,PAPER ROUTE CHANGE PLATE		1
514	1109877	BELT,CARRIAGE		1
515	1109883	SPRING,CARRIAGE GUIDE SHAFT		1
516	1109885	SPRING,CHANGE PLATE		1
517	1109886	SPRING,PAPER GUIDE CENTRE,CLOSE		1
519	1109906	SPRING,123		1
520	1110046	POROUS PAD,HOLDER		2
521	1110047	POROUS PAD,WASTE INK		1
522	1110056	TUBE,WASTE INK		1
523	1109506	LEVER,SLIP PAPER HOLD		1
524	1109656	ROLLER,SLIP PAPER HOLD		2
525	1112062	SLIP PAPER GUIDE LOWER ASSY,B		1
526	1112063	SLIP T.O.F. DETECTOR ASSY		1
527	1109649	PAPER GUIDE,UPPER		1
528	1112067	SLIP PAPER FEED ROLLER ASSY		1
529	1060936	SPACER,3X5X4,F/ZN		3
530	1109512	SLIDER,P/S CHANGE		1
531	1109513	PLATE,P/S CHANGE		1
532	1109650	PAPER GUIDE,ASSIST		1
533	1109654	CAM,CHANGE PLATE DRIVE		1

***NB: Part Number rationalisation – 10 digit part numbers in brackets are the old numbers for otherwise identical items***

## TM-J7000P(011)

Page No.:2

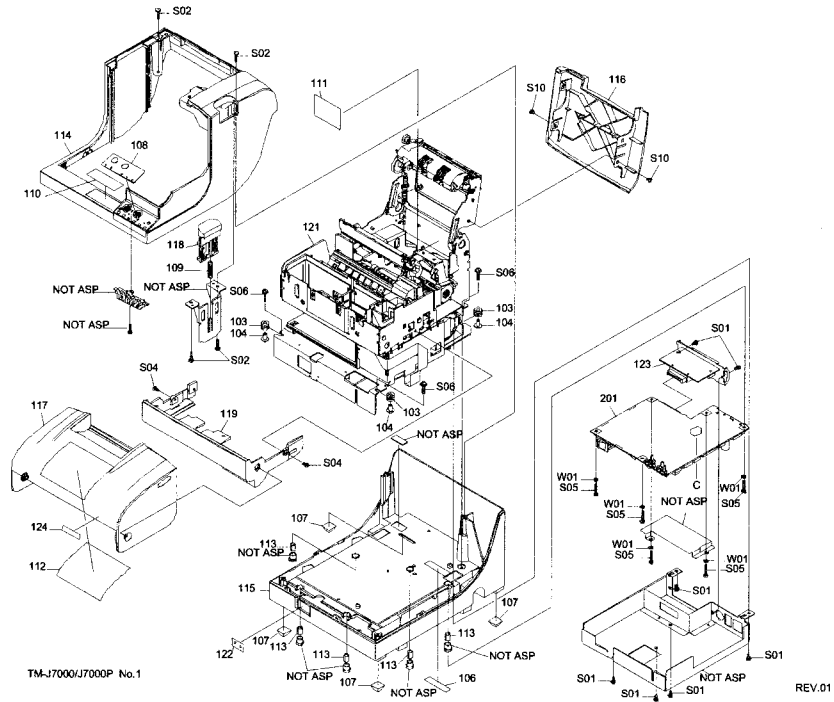
REF.	PART NO	DESCRIPTION	SPEC	QTY
534	1109655	FRAME,CHANGE PLATE DRIVE		1
535	1109657	CAM,P/S CHANGE		1
536	1109901	SPRING,P/S CHANGE		1
537	1109905	SPRING,FORM STOPPER LEVER		1
538	1110050	LEVER,FORM STOPPER		1
539	1112071	LEVER,PLATEN SUB ASSY		1
540	1061962	ROLLER,PAPER HOLD		4
541	1109907	SPRING,LOCK LEVER		1
542	1109908	SPRING,HOLDER PLATEN		1
543	1112078	CARRIAGE,CUTTER SUB ASSY		1
544	1112080	TENSION FEED ROLLER SUB ASSY		1
545	1112082	HOLDER,NEEDLE INK SUB ASSY		1
546	1112086	PUMP ASSY		1
547	1112552	TUBE,FEEDER		1
548	1069430	SCREW,N.E.DETECTOR		2
549	2062308	PHOTO INTERRUPTER	BL,7V,8MA,	1
550	2072744	FPC,HEAD SUB ASSY		1
551	1109621	FIXED BLADE		1
552	1214731	SPRING,SLIDER HOLD		1
E01	1004399	RETAINING RING	TYPE-E(2.5)	5
E02	1074017	RETAINING RING(B150300314)	TYPE-E(1.5),F/UC	5
E03	1074102	RETAINING RING(B150300411)	TYPE-E(2)	9
E04	1074104	RETAINING RING(B150300611)	TYPE-E(3)	3
N01	1074066	HEXAGON NUT(B070100311)	M3	3
S01	1074121	C.P.S.(O) SCREW(B302404211)	M3X6	7
S02	1003164	C.B.P-TITE SCREW,3X12,F/ZN		4
S04	1073165	C.B.S. SCREW(B300204211)	M3X6	2
S05	1073169	C.B.S. SCREW(B300204711)	M3X16	5
S06	1213776	C.P.T-B(P4)SCREW,3X16,F/ZN		3
S07	1005019	C.B.P-TITE SCREW,3X8,F/ZN	M3X8 F/ZN	5
S08	1020896	C.B(P)SCREW	M2.5X8 F/ZN	2
S09	1027930	C.B.T-B SCREW,2X6,F/ZN		6
S10	1046592	C.B.S-TITE F,3X4,F/ZN		7
S11	1076324	C.P.S.(O) SCREW(B302404311)	M3X8	3
S12	1005904	C.B.S-TITE SCREW,2X3,F/ZN		1
S13	1006854	C.B.S-TITE SCREW,2X4	2X4	1
S14	1027611	C.B.S.SCREW,2X6,F/ZN		1
S15	1073375	C.C.S. SCREW(B300304111)	M3X5	1
W02	1074071	PLAIN WASHER(B100150512)	M3X0.5X8	9
W03	1073976	PLAIN WASHER(B100150312)	6X0.2X10	1
051	1080609	GREASE G-19 (40GR)[B701900001]		1
052	1080618	GREASE G-31 (40GR)[B703100001]		1
053	1080619	GREASE G-36 (40GR)(B703600001)		1
054	1033657	GREASE G-45		1
055	1041443	GREASE;G-47	M-J8000	1
END				

**NB: Part Number rationalisation – 10 digit part numbers in brackets are the old numbers for otherwise identical items**

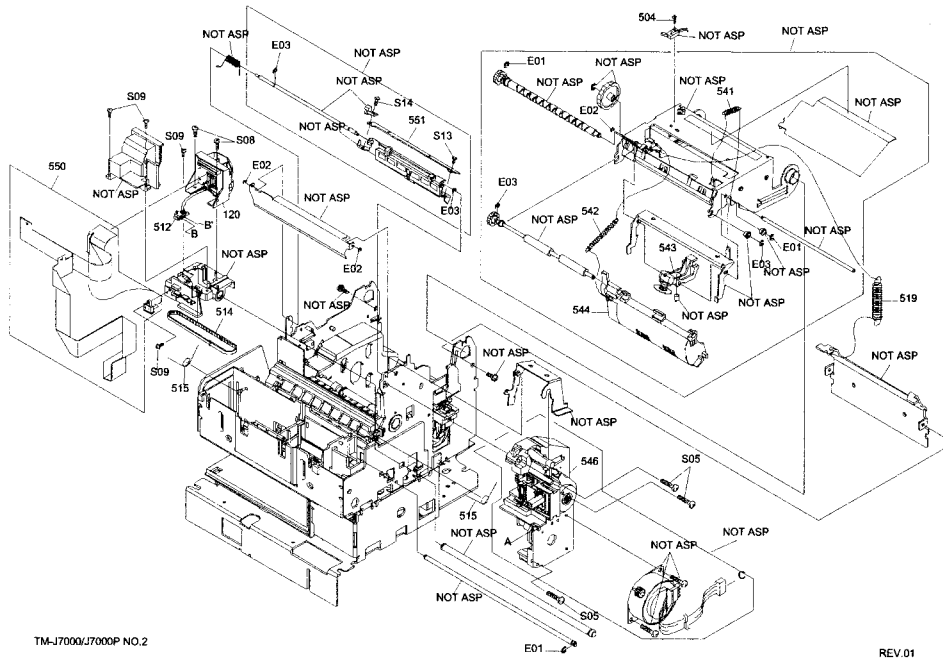
## TM-J7000P(011)

Page No.:3

"Not ASP" - Not available as a spare



"Not ASP" - Not available as a spare

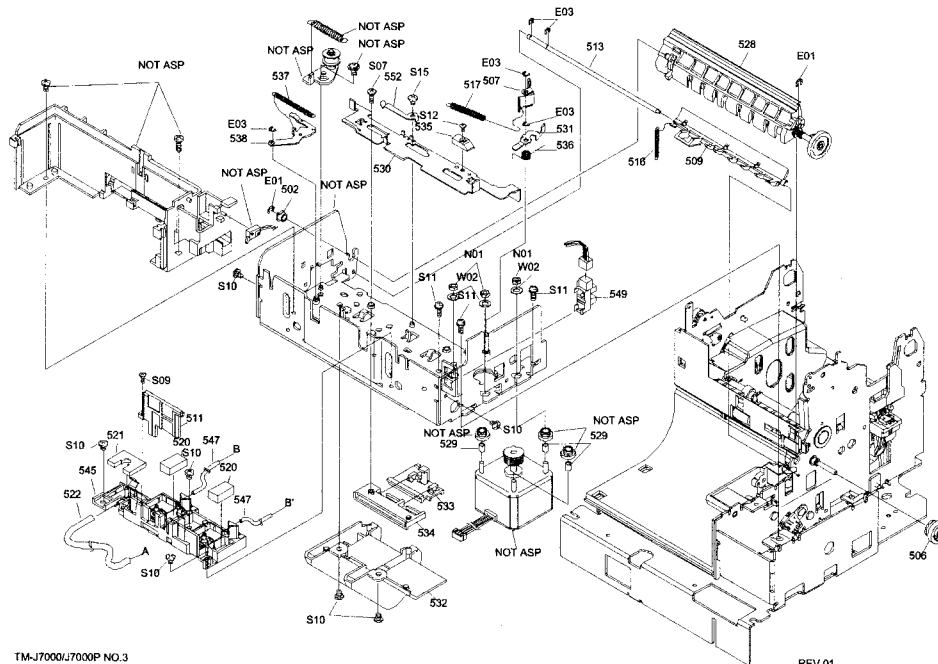


**NB: Part Number rationalisation – 10 digit part numbers in brackets are the old numbers for otherwise identical items**

## TM-J7000P(011)

Page No.:4

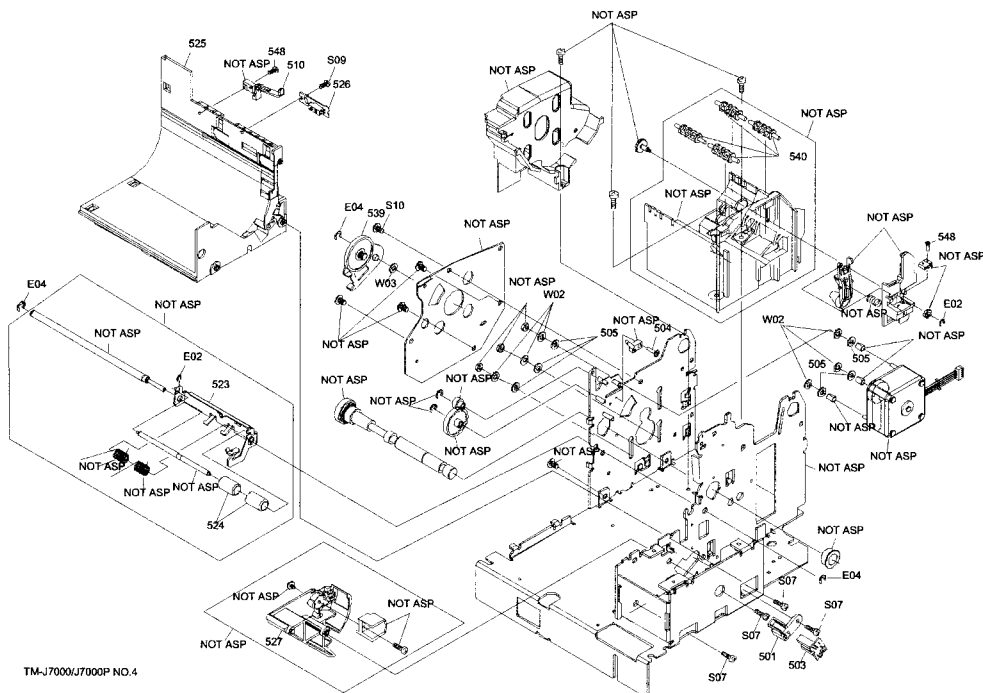
"Not ASP" - Not available as a spare



TM-J7000J7000P NO.3

REV.01

"Not ASP" - Not available as a spare



TM-J7000J7000P NO.4

REV.01