

| REF NO. | PART NO. | DESCRIPTION | SPECIFICATION | QTY |
|---------|------------|----------------------------------|---------------|-----|
| 101 | B018101811 | C.P.T.SCREW | M3X10 | 6 |
| 102 | B030104411 | C.P.S. SCREW | | 1 |
| 103 | B040350311 | CUP SCREW | M4X20 | 4 |
| 104 | B040450111 | C.P.O.SCREW | M3X8 | 11 |
| 105 | B300104311 | C.P.S.SCREW | | 2 |
| 106 | B300204211 | C.B.S. SCREW | M3X6 | 5 |
| 107 | B300304111 | C.C.S. SCREW | M3X5 | 2 |
| 108 | B300304711 | C.C.S. SCREW | M3X16 | 4 |
| 109 | X610220000 | HEXAGON SCREW | METRIC | 2 |
| 109 | X610220010 | HEXAGON SCREW | IMPERIAL | 2 |
| 110 | 1002902 | CLAMP | | 4 |
| 111 | 1006007 | IC COVER | | 1 |
| 112 | 1023411 | SEAL,CAUTION | | 2 |
| 112 | 1023563 | CAUTION SEAL,AA | | 1 |
| 113 | 1026516 | PLATE,CONNECTOR,AA | | 1 |
| 114 | 1032760 | RUBBER FOOT | | 4 |
| 115 | 1036780 | CASE,UPPER,AA | | 1 |
| 116 | 1036781 | CASE,LOWER,AA | | 1 |
| 117 | 1036782 | COVER,ROLL PAPER,AA | | 1 |
| 118 | 1043708 | COVER,CARRIAGE ASS'Y,AA | | 1 |
| 119 | 1036784 | COVER,CARTRIDGE,AA | | 1 |
| 120 | 1038941 | COVER,DM,BA | | 1 |
| 121 | 1039220 | LABEL,EPSON LOGOTYPE,DA | | 1 |
| 122 | 1041889 | LABEL,OPERATION,AA | | 1 |
| 122 | 1041890 | LABEL,OPERATION,AB | | 1 |
| 123 | 1041891 | SWITCH PANEL,AA | | 1 |
| 124 | 1041892 | SWITCH PANEL,AB | | 1 |
| 125 | 1041894 | PLATE,MAIN ASS'Y,AA | | 1 |
| 126 | 1041897 | PLATE,LOWER ASS'Y,AA | | 1 |
| 127 | 1041901 | COVER,POWER SUPPLY | | 1 |
| 128 | 1041902 | SPRING,COVER CARRIAGE,RIGHT | | 1 |
| 129 | 1041903 | SPRING,COVER CARRIAGE,LEFT | | 1 |
| 130 | 1041904 | SPACER,CIRCUIT BOARD | | 3 |
| 131 | 1041906 | SHEET,FFC | | 1 |
| 132 | B050200200 | HEX. SOCKET HEADLESS S/ SCREW | M3X5 ,ÜÖ°Ä | 2 |
| 133 | 1042742 | | | 1 |
| 134 | 1042785 | P.WASHER,3X0.8X10,F/ZN | | 3 |
| 135 | B300204311 | C.B.S. SCREW | M3X8 | 1 |
| 136 | 1038983 | COVER,POWER SWITCH,BA | | 1 |
| 137 | 1038358 | INK DISCHARGING CARTRIDGE UNIT | | 1 |
| 138 | 1041905 | PROTECT,POWER SWITCH,AA | | 1 |
| 139 | 1043716 | SPACER | | 1 |
| 140 | B040350211 | CUP SCREW | | 1 |
| 141 | 1045134 | SPACER,POWER CIRCUIT BOARD | | 2 |
| 142 | 1045135 | SHEET,POWER CIRCUIT BOARD | | 1 |
| 201 | 2028923 | MAIN CIRCUIT BOARD UNIT (ASP) AA | | 1 |
| 202 | 2029094 | POWER SWITCH ASS'Y,D | | 1 |
| 203 | 2019979 | I/F CIRCUIT BOARD ASS'Y,A | | 1 |
| 204 | 2028111 | SWITCH CIRCUIT BOARD ASS'Y | | 1 |
| 205 | 2028114 | FFC,HEAD | | 1 |
| 206 | 2028115 | FFC,R | | 1 |
| 207 | 2028116 | FFC,L | | 1 |
| 208 | 2028117 | SWITCH CABLE ASS'Y | | 1 |
| 209 | 2028118 | DC CABLE ASS'Y | | 1 |
| 210 | 2028120 | AC INLET ASS'Y | | 1 |
| 211 | 2028121 | FAN ASS'Y | | 1 |
| 212 | 2028219 | POWER SUPPLY ASS'Y | | 1 |

EPSON

TM-J8000(011)

Page 2

| REF NO. | PART NO. | DESCRIPTION | SPECIFICATION | QTY |
|---------|------------|-----------------------------------|---------------|-----|
| 500 | 1044476 | MECHANISM ASS'Y(ASP),A | | 1 |
| 501 | B300304211 | C.C.S. SCREW | M3X6 | 1 |
| 502 | 1031165 | MINI CLAMP | | 3 |
| 503 | 1040941 | FIXING PLATE,MICR | | 1 |
| 504 | B300304211 | C.C.S. SCREW | M3X6 | 5 |
| 505 | 1040942 | GEAR,S.FEED TRANSMIT 2 | | 1 |
| 506 | 1040943 | GEAR,SLIP FEED TRANSMIT 1 | | 1 |
| 507 | B150300711 | RETAINING RING | TYPE-E(4) | 1 |
| 508 | B150350111 | RETAINING RING | TYPE-E(2.3) | 1 |
| 509 | 1032390 | CABLE CRAMP | | 1 |
| 510 | B300304111 | C.C.S. SCREW | M3X5 | 6 |
| 511 | 1040944 | FORM STOPPER | | 1 |
| 512 | 1040945 | SPRING,FORM BRAKE | | 1 |
| 513 | 1040946 | SLIP FEED FRONT ROLLER SUB-ASS'Y | | 1 |
| 514 | 1024687 | SHAFT HOLDER,SLIP PF ROLLER | | 2 |
| 515 | B150300611 | RETAINING RING | TYPE-E(3) | 2 |
| 516 | 1040950 | SLIP FEED CENTRE ROLLER SUB-ASS'Y | | 1 |
| 517 | 1024687 | SHAFT HOLDER,SLIP PF ROLLER | | 2 |
| 518 | B150300611 | RETAINING RING | TYPE-E(3) | 2 |
| 519 | 1041177 | FELT,OIL IMPREGNATED | | 1 |
| 520 | 1040952 | TUBE,WASTE INK | | 1 |
| 521 | 1040953 | SPRING,S.PAPER GUIDE | | 1 |
| 522 | 1040955 | PAPER GUIDE,SLIP,LOWER | | 1 |
| 523 | 1040956 | B.O.F.DETECTOR SUB-ASS'Y | | 1 |
| 524 | 1040957 | HOLDER,B.O.F.DETECTOR | | 1 |
| 525 | 1040958 | SHAFT,SLIP DETECT LEVER | | 1 |
| 526 | 1040959 | SPRING,SLIP DETECT LEVER | | 1 |
| 527 | 1040960 | LEVER,SLIP DETECT | | 1 |
| 528 | 1029694 | RETAINING RING | TYPE-E(1.2) | 2 |
| 529 | 1040961 | SLIP DETECTOR SUB-ASS'Y | | 1 |
| 530 | 1041438 | C.B.P-TITE,2.6X8 | | 2 |
| 531 | B018101011 | C.T.P.SCREW | M2.5X10 | 1 |
| 532 | B100157912 | PLAIN WASHER | 2.6X0.5X5 | 1 |
| 533 | 1041477 | SLEEVE,S.PAPER GUIDE | | 2 |
| 534 | B300304211 | C.C.S. SCREW | M3X6 | 3 |
| 535 | 1041279 | PLATEN PAPER GUIDE SUB-ASS'Y | | 1 |
| 536 | 1040967 | SPRING,PAPER HOLD,TOP | | 3 |
| 537 | B040301411 | CUP SCREW | M2.5X5 | 1 |
| 538 | 1040968 | SPRING,PLATEN FIXING | | 2 |
| 539 | 1040969 | ROLL PAPER UNIT | | 1 |
| 540 | B300304211 | C.C.S. SCREW | M3X6 | 2 |
| 541 | 1031165 | MINI CLAMP | | 1 |
| 542 | 1032390 | CABLE CLAMP | | 1 |
| 543 | 1040974 | GEAR,PAPER FEED TRANSMIT | | 1 |
| 544 | 1040975 | PLATE,BRAKE | | 1 |
| 545 | 1040976 | LEVER,BRAKE PLATE | | 1 |
| 546 | 1040977 | SPRING,BRAKE PLATE | | 1 |
| 547 | 1040978 | GEAR,PAPER FEED REDUCTION | | 1 |
| 548 | 1040943 | GEAR,SLIP FEED TRANSMIT 1 | | 1 |
| 549 | 1040979 | SHAFT,MAIN FRAME FIXING | | 1 |
| 550 | B150350111 | RETAINING RING | TYPE-E(2.3) | 1 |
| 551 | 1040988 | GEAR,SLIP FEED REDUCTION | | 3 |
| 552 | B150350111 | RETAINING RING | TYPE-E(2.3) | 2 |
| 553 | 1040989 | GEAR,J/S CHANGEOVER | | 1 |
| 554 | 1040990 | LEVER,J/S CHANGEOVER | | 1 |
| 555 | 2026825 | SOLENOID,J/S CHANGEOVER | | 1 |
| 556 | B040300111 | CUP SCREW | M2X3 | 2 |

| REF NO. | PART NO. | DESCRIPTION | SPECIFICATION | QTY |
|---------|------------|-------------------------------------|---------------|-----|
| 557 | B040301411 | CUP SCREW | M2.5X5 | 1 |
| 558 | B300304211 | C.C.S. SCREW | M3X6 | 3 |
| 559 | 1040991 | SPRING,J/S CHANGEOVER | | 1 |
| 560 | 1040992 | SPACER,MOTOR SHIELD | | 1 |
| 561 | 1040993 | SPACER,PF MOTOR | | 1 |
| 562 | 2026818 | MOTOR,PAPER FEED | | 1 |
| 563 | B300204311 | C.B.S. SCREW | M3X8 | 2 |
| 564 | 1040995 | LEVER,COVER OPEN DETECTOR | | 1 |
| 565 | 1040996 | SPRING,COVER OPEN DETECTOR | | 1 |
| 566 | B150350111 | RETAINING RING | TYPE-E(2.3) | 1 |
| 567 | 1040997 | COVER OPEN DETECTOR SUB ASS'Y | | 1 |
| 568 | B010902211 | C.B.S-TITE,2.5X5 | | 2 |
| 569 | 1040998 | ROLL PAPER GUIDE SUB-ASS'Y | | 1 |
| 570 | F701001030 | ROLLED PAPER HOLDER | | 2 |
| 571 | B300304111 | C.C.S. SCREW | M3X5 | 2 |
| 572 | 1017364 | HOLDER,N.E.DETECTOR | | 1 |
| 573 | 1017365 | LEVER,N.E.DETECTOR | | 1 |
| 574 | 2011867 | MICROSWITCH | 1,30V,0.1A, | 1 |
| 575 | 1017753 | C.B.B-TITE,2X8 | 2X8 | 1 |
| 576 | B070100311 | HEXAGON NUT | M3 | 1 |
| 577 | 1020228 | SPACER,N.E.DETECTOR | | 1 |
| 578 | C109302051 | DETECTOR ADJUSTMENT | | 1 |
| 579 | 2007590 | DETECTOR,PE | | 1 |
| 580 | 2027875 | CONNECTOR,LEAD WIRE | | 1 |
| 581 | 1041004 | SLIP FEED TOP ROLLER SUB-ASS'Y | | 1 |
| 582 | 1042869 | PLAIN WASHER,3X0.5X7 | | 3 |
| 583 | 1041007 | SPRING,BRAKE TOP ROLLER | | 1 |
| 584 | 1024687 | SHAFT HOLDER,SLIP PAPER FEED ROLLER | | 2 |
| 585 | B150350111 | RETAINING RING | TYPE-E(2.3) | 2 |
| 586 | 1041008 | LINEAR CUTTING BLADE SUB-ASS'Y | | 1 |
| 587 | 1041010 | LINEAR CUTTING BLADE | | 1 |
| 588 | B040301411 | CUP SCREW | M2.5X5 | 1 |
| 589 | 1041016 | CUTTER,EMERGENCY | | 1 |
| 590 | B300304211 | C.C.S. SCREW | M3X6 | 8 |
| 591 | 1041017 | SLIDE FRAME SUB-ASS'Y | | 1 |
| 592 | 1041021 | PAPER FEED ROLLER SUB-ASS'Y | | 1 |
| 593 | 1041024 | SLIDE BEARING,PF ROLLER | | 1 |
| 594 | B150300711 | RETAINING RING | TYPE-E(4) | 1 |
| 595 | 1041027 | SHAFT,TENSION ROLLER | | 1 |
| 596 | B150300711 | RETAINING RING | TYPE-E(4) | 2 |
| 597 | 1041028 | SPRING,TENSION | | 1 |
| 598 | 1041029 | PLATE,TENSION | | 2 |
| 599 | 1043617 | SHEET,PAPER GUIDE | | 2 |
| 600 | 1041030 | ROLLER,PAPER TENSION | | 1 |
| 601 | B100153212 | PLAIN WASHER | 5.2X0.2X10 | 1 |
| 602 | 1010286 | C.P.(S-P1),2.5X5 | 2.5X5 | 1 |
| 603 | 1041032 | PLATE,PAPER GUIDE | | 1 |
| 604 | B300310511 | CUP SCREW S TIGHT | M2X4 | 4 |
| 605 | 1041033 | ROTATION FRAME SUB-ASS'Y | | 1 |
| 606 | B150300611 | RETAINING RING | TYPE-E(3) | 2 |
| 607 | 1041036 | SPRING,SLIDE FRAME | | 1 |
| 608 | 1041037 | CUTTER SUB-UNIT | | 1 |
| 609 | 1041041 | SPRING,CS SLIDE HOLDER | | 1 |
| 610 | B300304211 | C.C.S. SCREW | M3X6 | 2 |
| 611 | 1041042 | CARRIAGE CUTTER SUB-ASS'Y | | 1 |
| 612 | 1041044 | CIRCULAR CUTTING BLADE SUB-ASS'Y | | 1 |
| 613 | 1041047 | GEAR,CCB DRIVING | | 1 |

EPSON

TM-J8000(011)

Page 4

| REF NO. | PART NO. | DESCRIPTION | SPECIFICATION | QTY |
|---------|------------|-----------------------------------|---------------|-----|
| 614 | 1041048 | SPRING,CCB HOLD | | 1 |
| 615 | 1041049 | SHAFT,CCB DRIVING | | 1 |
| 616 | B150300314 | RETAINING RING | TYPE-E(1.5) | 1 |
| 617 | 1041050 | GEAR,CCB TRANSMISSION | | 1 |
| 618 | 1041051 | SHAFT,CARRIAGE AC | | 2 |
| 619 | 1041052 | CUTTER FRAME ASS'Y | | 1 |
| 620 | 2026822 | MOTOR,AC | | 1 |
| 621 | 1041061 | CUTTER HP DETECTOR ASS'Y | | 1 |
| 622 | 1041062 | GEAR,REDUCTION AC | | 1 |
| 623 | 1041063 | SHAFT,REDUCTION AC | | 1 |
| 624 | 1041064 | GEAR,MOTOR AC | | 1 |
| 625 | 1041437 | C.B.,2.3X3,F/ZN | | 1 |
| 626 | 1041065 | GEAR,TRANSMISSION AC | | 1 |
| 627 | B150300611 | RETAINING RING | TYPE-E(3) | 1 |
| 628 | 1041066 | LEVER,CS LOCK | | 1 |
| 629 | 1041067 | SPRING,CS LOCK LEVER | | 1 |
| 630 | 1041068 | COVER,AC | | 1 |
| 631 | 1041448 | GEAR, RACK AC | | 1 |
| 632 | 1041069 | PAPER GUIDE,AC | | 1 |
| 633 | 1041070 | SHAFT,PAPER GUIDE AC | | 1 |
| 634 | 1041071 | SPRING,PAPER GUIDE AC | | 1 |
| 635 | B150300314 | RETAINING RING | TYPE-E(1.5) | 2 |
| 636 | X522000010 | WIRE BAND | | 1 |
| 637 | 1041072 | SHAFT,FRAME SUPPORT | | 1 |
| 638 | B150300911 | RETAINING RING | TYPE-E(6) | 2 |
| 639 | B150300611 | RETAINING RING | TYPE-E(3) | 2 |
| 640 | 1041073 | SHAFT,SLIDE HOLD | | 1 |
| 641 | 1041074 | SPRING,BALANCE | | 2 |
| 642 | B300304111 | C.C.S. SCREW | M3X5 | 4 |
| 643 | 1041075 | SPRING,PLATEN HOLD | | 2 |
| 644 | 1041076 | SHUTTER UNIT | | 1 |
| 645 | 1041080 | CAM,SLIP O/C | | 1 |
| 646 | 1041081 | CAM,FORM STOPPER O/C | | 1 |
| 647 | 1041082 | SHAFT,ROLLER O/C CAM | | 1 |
| 648 | B150300314 | RETAINING RING | TYPE-E(1.5) | 1 |
| 649 | 1041083 | SHUTTER MOTOR FIXING PLATE S/A | | 1 |
| 650 | 1041086 | GEAR,SHUTTER REDUCT | | 1 |
| 651 | B150350111 | RETAINING RING | TYPE-E(2.3) | 1 |
| 652 | 1041087 | WASHER,SHUTTER | | 1 |
| 653 | 1041088 | CAM,SHUTTER DRIVE | | 1 |
| 654 | 1041089 | SHAFT,SHUTTER CAM | | 1 |
| 655 | 2026817 | MOTOR,SHUTTER | | 1 |
| 656 | B300204211 | C.B.S. SCREW | M3X6 | 1 |
| 657 | B300304111 | C.C.S. SCREW | M3X5 | 4 |
| 658 | B150300711 | RETAINING RING | TYPE-E(4) | 1 |
| 659 | 1041091 | SHUTTER SLIDER SUB-ASS'Y | | 1 |
| 660 | 1041094 | SHAFT,SHUTTER LEVER | | 1 |
| 661 | B150300314 | RETAINING RING | TYPE-E(1.5) | 1 |
| 662 | 1041096 | FIXING PLATE,SH.DETECT | | 1 |
| 663 | 1041097 | SHUTTER DETECTOR SUB-ASS'Y | | 1 |
| 664 | B300304211 | C.C.S. SCREW | M3X6 | 1 |
| 665 | B300304211 | C.C.S. SCREW | M3X6 | 1 |
| 666 | 1041098 | FORM STOPPER OPEN/CLOSE LEVER S/A | | 1 |
| 667 | 1041102 | SLIP OPEN/CLOSE LEVER SUB-ASS'Y | | 1 |
| 668 | 1041104 | SHAFT,O/C LEVER | | 1 |
| 669 | B150300611 | RETAINING RING | TYPE-E(3) | 6 |
| 670 | 1041105 | SPRING,SLIP HOLD,FRONT | | 1 |

| REF NO. | PART NO. | DESCRIPTION | SPECIFICATION | QTY |
|---------|------------|----------------------------------|---------------|-----|
| 671 | 1041106 | SPRING,FORM STOPPER O/C | | 1 |
| 672 | 1041107 | ROLLER,SLIP HOLD,FRONT,R | | 1 |
| 673 | 1041108 | ROLLER,SLIP HOLD,FRONT,L | | 1 |
| 674 | 1041109 | SHAFT,SLIP HOLD,FRONT | | 1 |
| 675 | B150350111 | RETAINING RING | TYPE-E(2.3) | 1 |
| 676 | 1041111 | FIXING PLATE,SLIP HOLD,C | | 1 |
| 677 | 1041112 | ROLLER,SLIP HOLD,CENTRE | | 3 |
| 678 | 1041114 | LEVER,SLIP HOLD,CENTRE | | 3 |
| 679 | 1041115 | SHAFT,SLIP HOLD,CENTRE | | 3 |
| 680 | 1041116 | SHAFT,SLIP HOLDING LEVER | | 1 |
| 681 | B150300314 | RETAINING RING | TYPE-E(1.5) | 1 |
| 682 | B300304111 | C.C.S. SCREW | M3X5 | 2 |
| 683 | 1041117 | LEVER,SHUTTER DRIVE | | 1 |
| 684 | 1041118 | SLIP SHUTTER ASS'Y | | 1 |
| 685 | B150350111 | RETAINING RING | TYPE-E(2.3) | 1 |
| 686 | 1041134 | PAPER GUIDE,SLIP,FRONT | | 1 |
| 687 | 1041135 | PAPER GUIDE,SLIP,UPPER | | 1 |
| 688 | 1041136 | T.O.F.DETECTOR SUB-ASS'Y | | 1 |
| 689 | 1041435 | C.P.B-TI(S-P2),2.6X6,F/ZN | | 5 |
| 690 | 1041265 | SPRING,SHUTTER | | 2 |
| 691 | X522000010 | WIRE BAND | | 1 |
| 692 | B300304211 | C.C.S. SCREW | M3X6 | 2 |
| 693 | B300304111 | C.C.S. SCREW | M3X5 | 3 |
| 694 | 1041138 | FIXING PLATE,C ROLLER SP. | | 1 |
| 695 | 1041139 | SPRING,SLIP HOLD,CENTRE | | 3 |
| 696 | 1041140 | SHAFT,C.ROLLER SPRING | | 1 |
| 697 | B150350111 | RETAINING RING | TYPE-E(2.3) | 1 |
| 698 | B300304211 | C.C.S. SCREW | M3X6 | 3 |
| 699 | 1041143 | DUMMY,MICR | | 1 |
| 700 | B300304211 | C.C.S. SCREW | M3X6 | 1 |
| 701 | B312104511 | C.P.B.(P) SCREW | | 1 |
| 702 | 1041144 | CARRIAGE UNIT | | 1 |
| 703 | 1041150 | CARRIAGE MOTOR SUB-ASS'Y | | 1 |
| 704 | 1041152 | FIXING PLATE,CARRIAGE DETECTOR | | 1 |
| 705 | 1041153 | EARTH PLATE,CARRIAGE MOTOR | | 2 |
| 706 | 1041154 | BUSH,CARRIAGE MOTOR | | 4 |
| 707 | 1041155 | SPACER,CARRIAGE MOTOR | | 4 |
| 708 | B070100311 | HEXAGON NUT | M3 | 4 |
| 709 | 1041156 | CONNECTION CIRCUIT BOARD S/A | | 1 |
| 710 | B302404211 | C.P.S.(O) SCREW | M3X6 | 1 |
| 711 | 1041157 | HP CARRIAGE DETECTOR ASS'Y | | 1 |
| 712 | B300304211 | C.C.S. SCREW | M3X6 | 1 |
| 713 | B302304211 | C.P.S.(P) SCREW | M3X6 | 1 |
| 714 | 1041161 | SLIP HOLD TOP SOLENOID SUB-ASS'Y | | 1 |
| 715 | 2026823 | SOLENOID,SLIP HOLD,TOP | | 1 |
| 716 | 1041163 | ROLLER,SLIP HOLD TOP,R | | 1 |
| 717 | 1041164 | ROLLER,SLIP HOLD TOP,L | | 1 |
| 718 | 1041165 | SHAFT,SLIP HOLD,TOP | | 1 |
| 719 | B150350111 | RETAINING RING | TYPE-E(2.3) | 1 |
| 720 | B040351911 | CUP SCREW | | 2 |
| 722 | 1041167 | HEAD CARRIAGE SUB-ASS'Y | | 1 |
| 723 | 1041176 | BELT,CARRIAGE | | 1 |
| 724 | 1041177 | FELT,OIL IMPREGNATED | | 1 |
| 725 | 1041178 | SHAFT,CARRIAGE GUIDE | | 1 |
| 726 | 1041179 | PLATE,PG ADJUSTMENT | | 2 |
| 727 | 1041180 | EARTH PLATE,GUIDE SHAFT | | 2 |
| 728 | B300204111 | C.B.S. SCREW | M3X5 | 2 |

EPSON

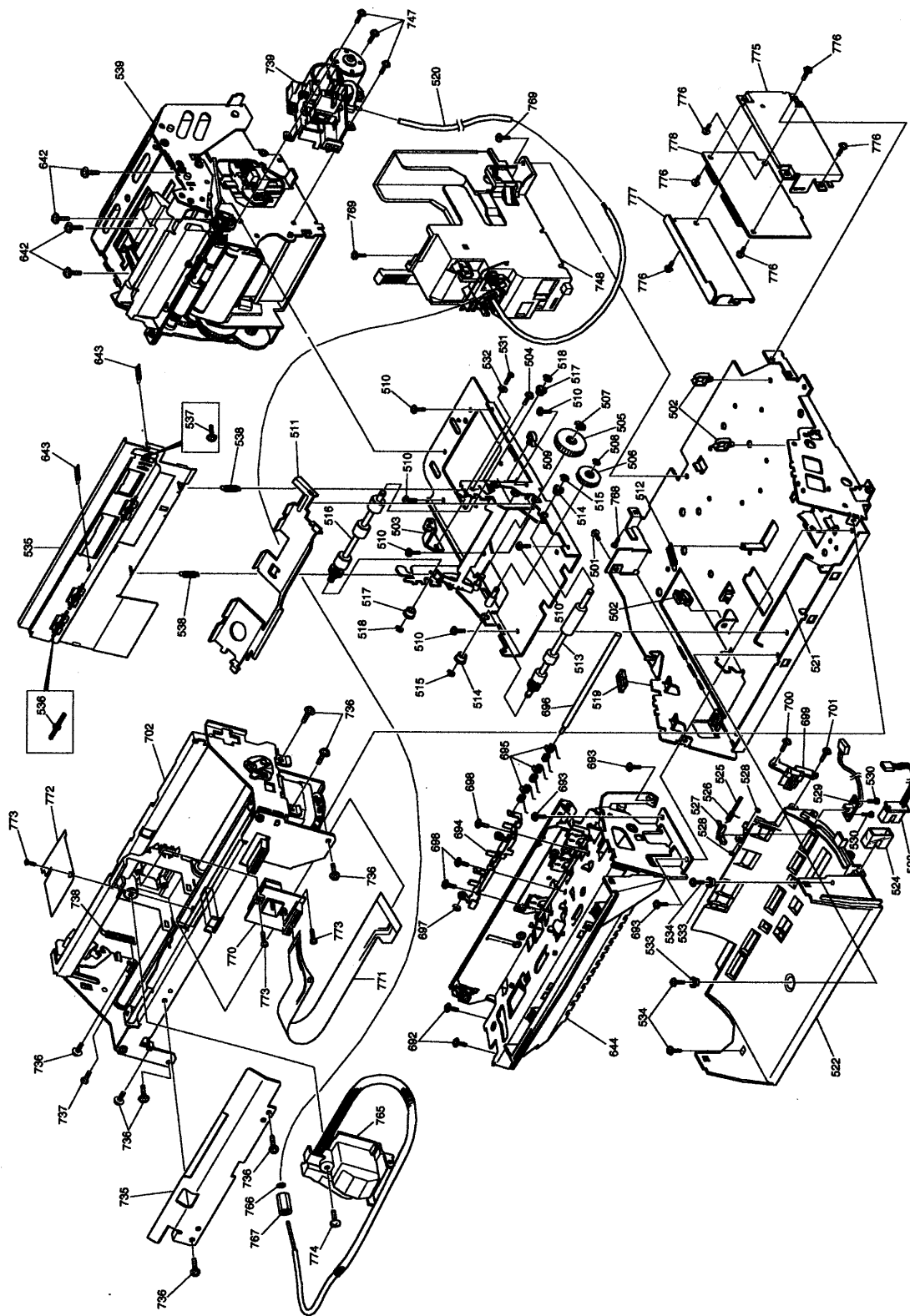
TM-J8000(011)

Page 6

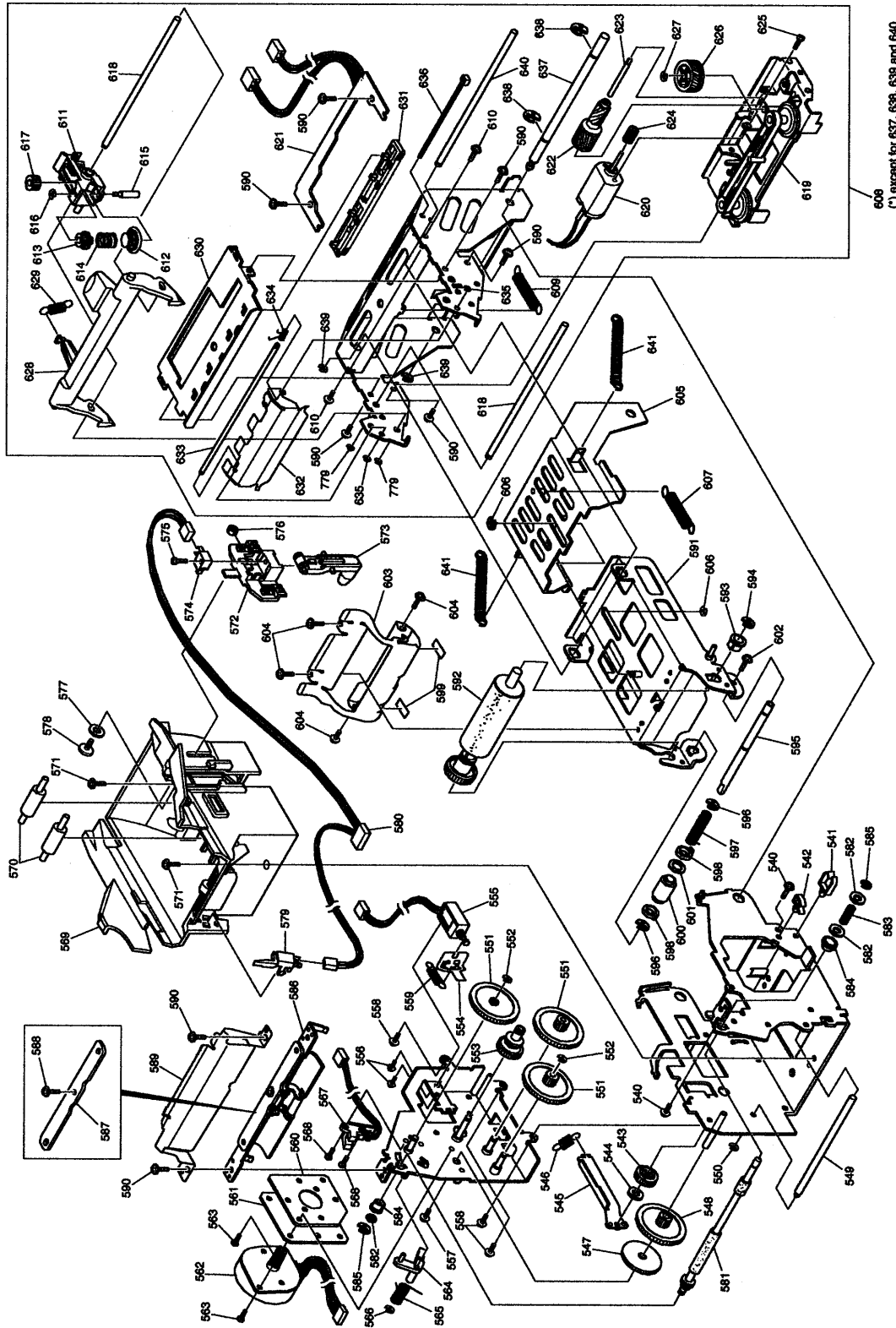
| REF NO. | PART NO. | DESCRIPTION | SPECIFICATION | QTY |
|---------|------------|------------------------------------|---------------|-----|
| 729 | 1041181 | CARRIAGE TRANSMIT PULLEY PLATE S/A | | 1 |
| 730 | 1041184 | PULLEY,CARRIAGE TRANSMISSION | | 1 |
| 731 | B150300611 | RETAINING RING | TYPE-E(3) | 1 |
| 732 | 1041185 | SPRING,BELT TENSION | | 1 |
| 733 | 1041186 | TUBE GUIDE FRAME SUB-ASS'Y | | 1 |
| 734 | B300304211 | C.C.S. SCREW | M3X6 | 2 |
| 735 | 1042532 | TUBE GUIDE ASSIST FRAME SUB-ASS'Y | | 1 |
| 736 | B300304211 | C.C.S. SCREW | M3X6 | 8 |
| 737 | B302404211 | C.P.S.(O) SCREW | M3X6 | 1 |
| 738 | 1041166 | SPRING,SLIP HOLD,,TOP | | 1 |
| 739 | 1041192 | PUMP UNIT | | 1 |
| 740 | 1041193 | PUMP SUB UNIT | | 1 |
| 741 | 1041227 | GEAR,PUMP TRANSMISSION | | 1 |
| 742 | 1041228 | SHAFT,PUMP TRANSMISSION | | 1 |
| 743 | 2026819 | MOTOR,PUMP | | 1 |
| 744 | B300204211 | C.B.S. SCREW | M3X6 | 2 |
| 745 | 1041231 | PUMP DETECTOR SUB-ASS'Y | | 1 |
| 746 | B300204211 | C.B.S. SCREW | M3X6 | 1 |
| 747 | B300304111 | C.C.S. SCREW | M3X5 | 3 |
| 748 | 1041232 | CARTRIDGE FRAME UNIT | | 1 |
| 749 | 1041233 | FRAME,CARTRIDGE GUIDE | | 1 |
| 750 | 1041882 | ABSORBER HOLDER SUB-ASS'Y | | 1 |
| 751 | 1041236 | HOLDER,ABSORBER | | 1 |
| 752 | 1041239 | SPRING,HOLDER FULCRUM | | 1 |
| 753 | 2027882 | DETECTOR,INK CARTRIDGE | | 1 |
| 754 | 1001674 | C.P.B. SCREW | | 1 |
| 755 | 1003164 | C.B.P-TITE SCREW,3X12,F/ZN | | 1 |
| 756 | 1041242 | NEEDLE INK FRAME SUB-ASS'Y | | 1 |
| 757 | B010303511 | C.B.SCREW | M3X10 | 3 |
| 758 | B070100311 | HEXAGON NUT | M3 | 3 |
| 759 | 1041240 | SPRING,ABSORBER | | 1 |
| 760 | 1041234 | SPRING,CARTRIDGE | | 1 |
| 761 | 1024130 | C.B.P-TITE SCREW,3X6,F/ZN | | 4 |
| 762 | 1042246 | CARTRIDGE SLIDE FRAME SUB-ASS'Y | | 1 |
| 763 | 1041249 | LEVER,CARTRIDGE | | 1 |
| 764 | 1041241 | SPRING,SLIDE BRAKE | | 1 |
| 765 | 1042533 | DAMPER SUB ASS'Y | | 1 |
| 766 | 1033483 | O RING,TUBE FASTEN | | 1 |
| 767 | 1033482 | JOINT SCREWS,M6 | | 1 |
| 768 | 1003164 | C.B.P-TITE SCREW,3X12,F/ZN | | 1 |
| 769 | 1044403 | SCREW | | 2 |
| 770 | 1036468 | DOT HEAD UNIT | | 1 |
| 771 | 2026911 | FPC, HEAD | | 1 |
| 772 | 1041259 | HOLD PLATE,FPC | | 1 |
| 773 | 1041438 | C.B.P-TITE,2.6X8 | | 3 |
| 774 | 1003164 | C.B.P-TITE SCREW,3X12,F/ZN | | 1 |
| 775 | 1041261 | FIXING PLATE,MAIN BOARD | | 1 |
| 776 | B302404211 | C.P.S.(O) SCREW | M3X6 | 6 |
| 777 | 1041262 | COVER,MAIN BOARD | | 1 |
| 778 | 1041260 | PCB CONNECTOR BOARD | | 1 |
| 779 | B150300411 | RETAINING RING | TYPE-E(2) | 2 |
| END | | | | |
| | | | | |
| | | | | |
| | | | | |

EPSON TM-J8000(011)

Page 8



EXPLODED DIAGRAM FOR TM-J8000 NO.2

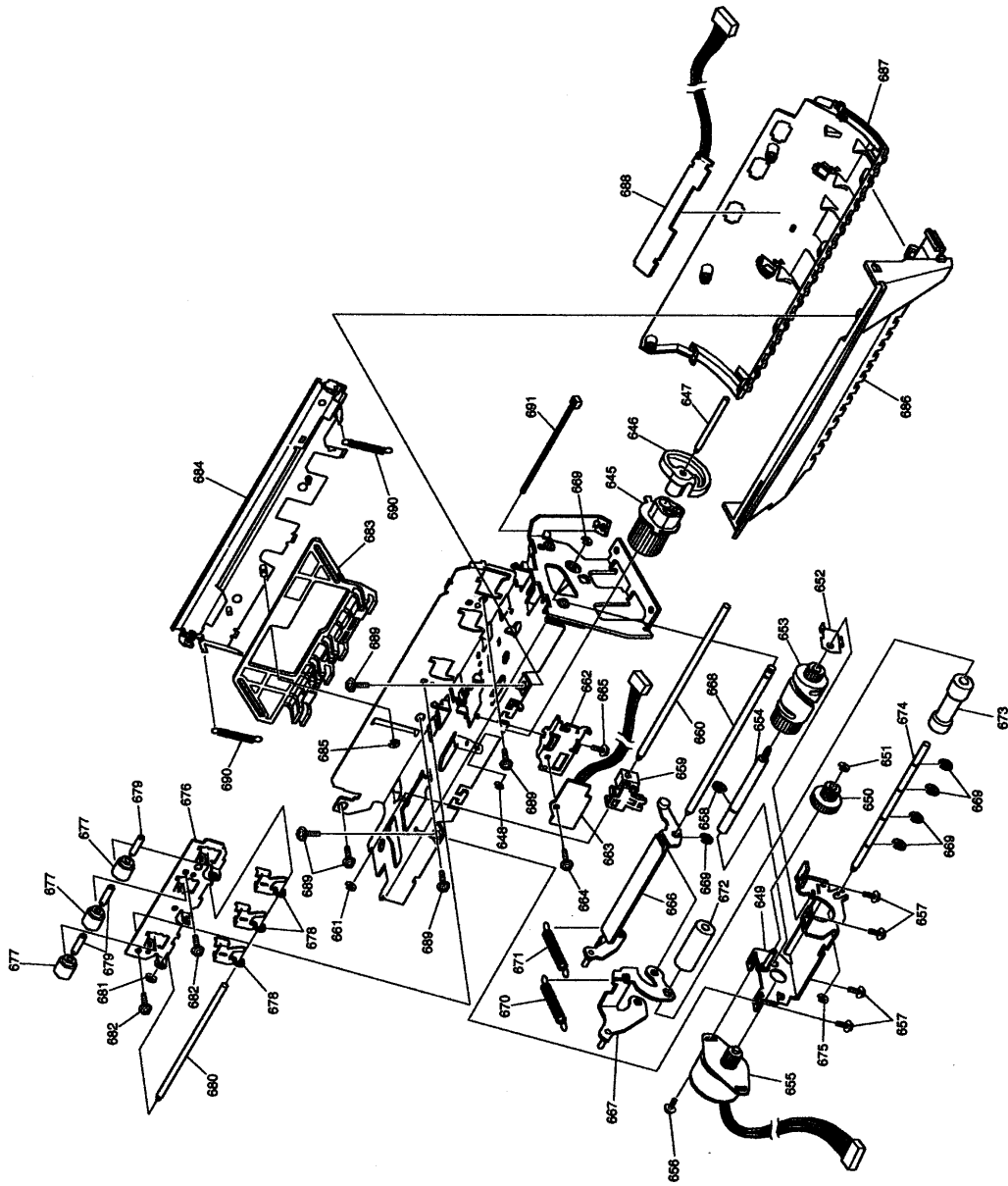


608 (*) except for 637, 638, 639 and 640

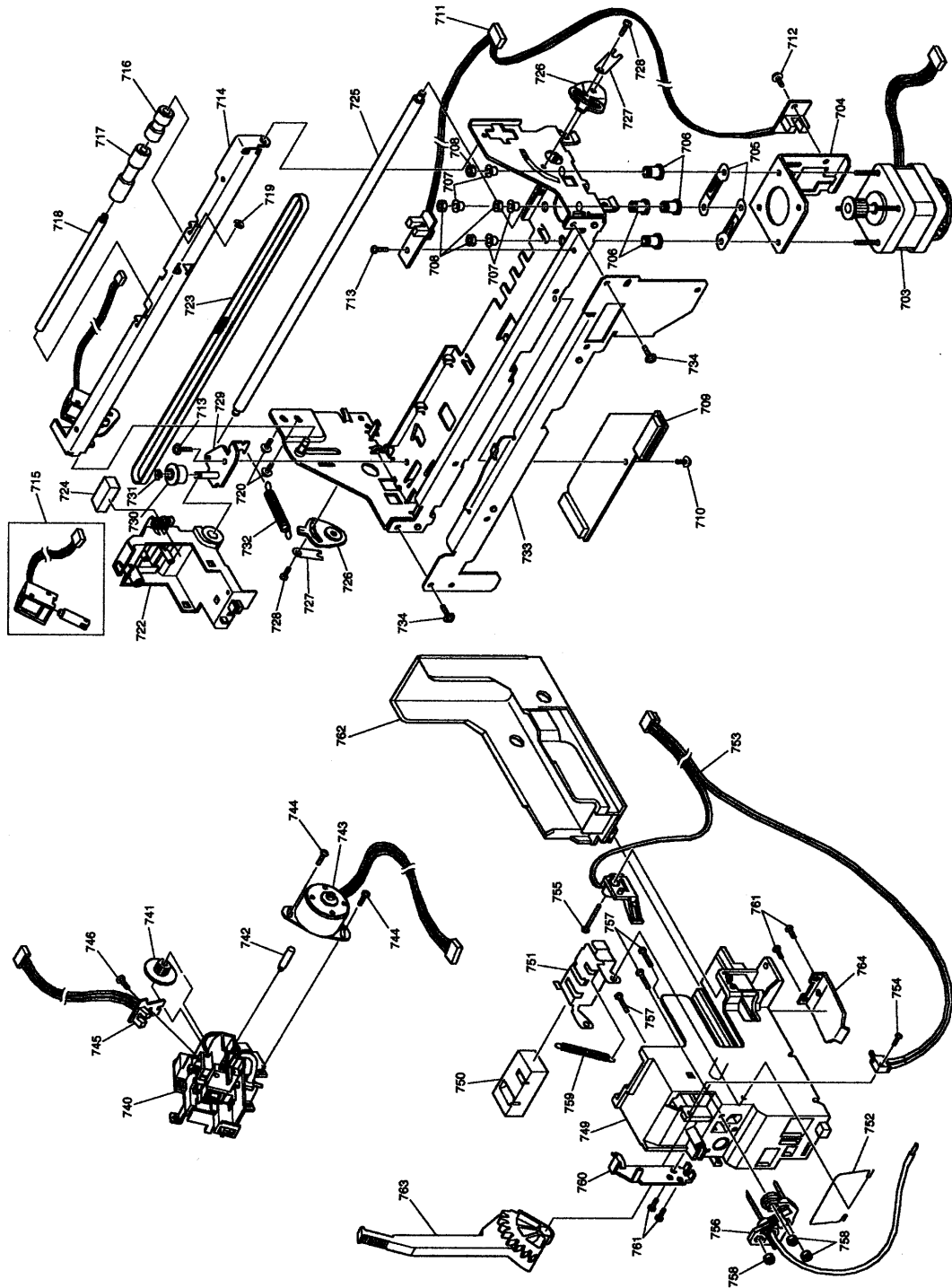
EXPLODED DIAGRAM FOR TM-J8000 NO.3

EPSON TM-J8000(011)

Page 10



EXPLODED DIAGRAM FOR TM-J8000 NO.4



EXPLODED DIAGRAM FOR TM-J8000 NO.5