

# EPSON TM-J8000P(011)

**SHADED ROWS ARE IMPORTANT ITEMS**

Page 1

REF	PART NO	DESCRIPTION	SPEC	QTY
101	B018101811	C.P.T.SCREW	M3X10	6
102	B030104411	C.P.S. SCREW		1
103	B040350311	CUP SCREW	M4X20	4
104	B040450111	C.P.O.SCREW	M3X8	11
105	B300104311	C.P.S.SCREW		4
106	B300204211	C.B.S. SCREW	M3X6	5
107	B300304111	C.C.S. SCREW	M3X5	2
108	B300304711	C.C.S. SCREW	M3X16	2
110	1002902	CLAMP		4
111	1006007	IC COVER		1
112	1023411	SEAL,CAUTION		2
112	1023563	CAUTION SEAL,AA		1
113	1027629	PLATE,CONNECTOR,BA		1
114	1032760	RUBBER FOOT		4
115	1036780	CASE,UPPER,AA		1
116	1036781	CASE,LOWER,AA		1
117	1036782	COVER,ROLL PAPER,AA		1
118	1043708	COVER,CARRIAGE ASS'Y,AA		1
119	1036784	COVER,CARTRIDGE,AA		1
120	1038941	COVER,DM,BA		1
121	1039220	LABEL,EPSON LOGOTYPE,DA		1
122	1041889	LABEL,OPERATION,AA		1
122	1041890	LABEL,OPERATION,AB		1
123	1041891	SWITCH PANEL,AA		1
124	1041892	SWITCH PANEL,AB		1
125	1041894	PLATE,MAIN ASS'Y,AA		1
126	1041897	PLATE,LOWER ASS'Y,AA		1
127	1041901	COVER,POWER SUPPLY		1
128	1041902	SPRING,COVER CARRIAGE,RIGHT		1
129	1041903	SPRING,COVER CARRIAGE,LEFT		1
130	1041904	SPACER,CIRCUIT BOARD		3
131	1041906	SHEET,FFC		1
132	B050200200	HEX. SOCKET HEADLESS SET SCREW	M3X5,ÜÖ°Ä	2
133	1042742	LABEL CAUTION AA		1
134	1042785	P.WASHER,3X0.8X10,F/ZN		3
135	B300204311	C.B.S. SCREW	M3X8	1
136	1038983	COVER,POWER SWITCH,BA		1
137	1038358	INK DISCHARGING CARTRIDGE UNIT		1
138	1041905	PROTECT,POWER SWITCH,AA		1
139	1043716	SPACER		1
140	B040350211	CUP SCREW		1
141	1045134	SPACER,POWER CIRCUIT BOARD		2
142	1045135	SHEET,POWER CIRCUIT BOARD		1
143	B030103811	C.P.(S).SCREW,3X16 F/ZN		2
201	2028923	MAIN CIRCUIT BOARD UNIT(ASP),AA		1
BAT1	2022121	LITHIUM BATTERY		1
CN1	X600570300	CONNECTOR TCS7960-532010	3P	1
CN10	2027112	CONNECTOR		1
CN11	X600720201	CONNECTOR	2P	1
CN12	X600721020	CONNECTOR	10,2MM	1
CN2	2014486	CONNECTOR	6,1.02MM	1
CN20	2027111	CONNECTOR		1
CN21	2027109	CONNECTOR		1
CN22	2027110	CONNECTOR		1
CN3	2019963	CONNECTOR,TX25-30P-LT-H1	30,1.27MM	1
CN30	2000297	CONNECTOR	2PIN	1

# EPSON

## TM-J8000P(011)

Page 2

REF	PART NO	DESCRIPTION	SPEC	QTY
CN4	2014389	CONNECTOR	8,1.02MM	1
DSW1	2014388	DIP SWITCH	8,50V,100MA	1
DSW2	2014388	DIP SWITCH	8,50V,100MA	1
F1	2028677	FUSE		1
FIH	2028676	SWITCH		1
FIK	2017325	FUSE,154002T	125V,2A	1
L1	2016230	EMI FILTER		1
LED1	2015100	LED	3V,20MA,60MW,	1
Q1	2015765	P-CH FET	-100V,-16A,60W	1
Q10	2014231	TRANSISTOR	50V,100MA,200MW,100,600	1
Q11	2017633	P-CH FET		1
Q12	2023191	TRANSISTOR ARRAY		1
Q1A	2014231	TRANSISTOR	50V,100MA,200MW,100,600	1
Q1C	2023191	TRANSISTOR ARRAY		1
Q1I	2023191	TRANSISTOR ARRAY		1
Q1J	2023191	TRANSISTOR ARRAY		1
Q1K	2024137	TRANSISTOR		1
Q1L	2024137	TRANSISTOR		1
Q1P	2023191	TRANSISTOR ARRAY		1
Q1S	2023191	TRANSISTOR ARRAY		1
Q1U	2023191	TRANSISTOR ARRAY		1
Q1V	2023191	TRANSISTOR ARRAY		1
Q1W	2024137	TRANSISTOR		1
Q2	2015765	P-CH FET	-100V,-16A,60W	1
Q2C	2023191	TRANSISTOR ARRAY		1
Q2I	2023191	TRANSISTOR ARRAY		1
Q2J	2024137	TRANSISTOR		1
Q2K	2024137	TRANSISTOR		1
Q2P	2023191	TRANSISTOR ARRAY		1
Q2S	2023191	TRANSISTOR ARRAY		1
Q2W	2014231	TRANSISTOR	50V,100MA,200MW,100,600	1
Q3	2023191	TRANSISTOR ARRAY		1
Q3C	2023191	TRANSISTOR ARRAY		1
Q3I	2024137	TRANSISTOR		1
Q3K	2027117	TRANSISTOR		1
Q3S	2023191	TRANSISTOR ARRAY		1
Q3W	2014231	TRANSISTOR	50V,100MA,200MW,100,600	1
Q4	2015765	P-CH FET	-100V,-16A,60W	1
Q4C	2023191	TRANSISTOR ARRAY		1
Q4L	2024137	TRANSISTOR		1
Q4S	2023191	TRANSISTOR ARRAY		1
Q5	2023191	TRANSISTOR ARRAY		1
Q5C	2024137	TRANSISTOR		1
Q5S	2024137	TRANSISTOR		1
Q6	2023191	TRANSISTOR ARRAY		1
Q6S	2014231	TRANSISTOR	50V,100MA,200MW,100,600	1
Q7	2024137	TRANSISTOR		1
Q7S	2024137	TRANSISTOR		1
Q8	2024137	TRANSISTOR		1
Q8S	2024137	TRANSISTOR		1
Q9	2023191	TRANSISTOR ARRAY		1
Q9S	2024137	TRANSISTOR		1
QM1K	2004446	TRANSISTOR ARRAY,4AC17	60V,4A,1.8W,NPN,	1
TH1	2027126	THERMISTOR		1
U1	2028216	MICRO-CONTROLLER		1
U10	2022356	VOLTAGE REGULATOR IC		1
U11	2003700	RESET IC	8 PIN	1

REF	PART NO	DESCRIPTION	SPEC	QTY
U12	X461500409	C-MOS IC		1
U13	2010103	OP AMP	SOP,8	1
U14	2010103	OP AMP	SOP,8	1
U1A	2003595	TRANSISTOR ARRAY,TA8428K	30V,3A,1.25W,NPN+P	1
U1C	2019944	HIC		1
U1D	2015476	RS-232 DRIVER/RECEIVER IC,ADM202JRN	16	1
U1G	2025169	HYBRID IC,		1
U1H	2012489	COMPARATOR	8	1
U1I	X461503209	C-MOS IC	2-INPUT OR GATE	1
U1J	2027171	HIC		1
U1K	2022356	VOLTAGE REGULATOR IC		1
U1L	2012489	COMPARATOR	8	1
U1P	2025169	HYBRID IC,		1
U1S	2012489	COMPARATOR	8	1
U1U	2025169	HYBRID IC,		1
U1V	2018007	HIC		1
U2	2023612	GATE ARREY		1
U2I	2023625	RESET IC		1
U2D	2022356	VOLTAGE REGULATOR IC		1
U2H	2028681	HIC,H8D2933		1
U2S	2013708	C-MOS TC7W14F-TE12L	8	1
U3	2028684	GATE ARRAY		1
U3H	X462700708	C-MOS TC74HC07AF-TP2		1
U3I	2007998	CMOS IC	SOP 8	1
U3S	2007998	CMOS IC	SOP 8	1
U5S	2027120	VOLTAGE REGULATOR IC		1
U6	2027108	DRAM		1
U6S	2027121	VOLTAGE REGULATOR IC		1
U7	2011664	IC		1
U7S	2027173	CR TIMER		1
U8	2022356	VOLTAGE REGULATOR IC		1
U8S	X461503209	C-MOS IC	2-INPUT OR GATE	1
U9	X461500809	C-MOS IC	7 INPUT AND GATE	1
X1	2014423	QUARTZ OSCILLATOR	32.768KHZ	1
X2	2023029	CERAMIC OSCILLATOR		1
X3	2025834	CERAMIC OSCILLATOR		1
X4	2001862	CERAMIC OSCILLATOR		1
202	2029094	POWER SWITCH ASS'Y,D		1
203	2025434	PARALLEL I/F CIRCUIT BOARD ASS'Y,B		1
204	2028111	SWITCH CIRCUIT BOARD ASS'Y		1
205	2028114	FFC,HEAD		1
206	2028115	FFC,R		1
207	2028116	FFC,L		1
208	2028117	SWITCH CABLE ASS'Y		1
209	2028118	DC CABLE ASS'Y		1
210	2028120	AC INLET ASS'Y		1
211	2028121	FAN ASS'Y		1
212	2028219	POWER SUPPLY ASS'Y		1
500	1044476	MECHANISM ASS'Y(ASP),A		1
501	B300304211	C.C.S. SCREW	M3X6	1
502	1031165	MINI CLAMP		3
503	1040941	FIXING PLATE,MICR		1
504	B300304211	C.C.S. SCREW	M3X6	5
505	1040942	GEAR,S.FEED TRANSMIT 2		1
506	1040943	GEAR,SLIP FEED TRANSMIT 1		1
507	B150300711	RETAINING RING	TYPE-E(4)	1
508	B150350111	RETAINING RING	TYPE-E(2.3)	1

# EPSON

## TM-J8000P(011)

Page 4

REF	PART NO	DESCRIPTION	SPEC	QTY
509	1032390	CABLE CLAMP		1
510	B300304111	C.C.S. SCREW	M3X5	6
511	1040944	FORM STOPPER		1
512	1040945	SPRING,FORM BRAKE		1
513	1040946	SLIP FEED FRONT ROLLER SUB-ASS'Y		1
514	1024687	SHAFT HOLDER,SLIP PF ROLLER		2
515	B150300611	RETAINING RING	TYPE-E(3)	2
516	1040950	SLIP FEED CENTRE ROLLER SUB-ASS'Y		1
517	1024687	SHAFT HOLDER,SLIP PF ROLLER		2
518	B150300611	RETAINING RING	TYPE-E(3)	2
519	1041177	FELT,OIL HOLD		1
520	1040952	TUBE,WASTE INK		1
521	1040953	SPRING,S.PAPER GUIDE		1
522	1040955	PAPER GUIDE,SLIP,LOWER		1
523	1040956	B.O.F.DETECTOR SUB-ASS'Y		1
524	1040957	HOLDER,B.O.F.DETECTOR		1
525	1040958	SHAFT,SLIP DETECT LEVER		1
526	1040959	SPRING,SLIP DETECT LEVER		1
527	1040960	LEVER,SLIP DETECT		1
528	1029694	RETAINING RING	TYPE-E(1.2)	2
529	1040961	SLIP DETECTOR SUB-ASS'Y		1
530	1041438	C.B.P-TITE,2.6X8		2
531	B018101011	C.T.P.SCREW	M2.5X10	1
532	B100157912	PLAIN WASHER	2.6X0.5X5	1
533	1041477	SLEEVE,S.PAPER GUIDE		2
534	B300304211	C.C.S. SCREW	M3X6	3
535	1041279	PLATEN PAPER GUIDE SUB-ASS'Y		1
536	1040967	SPRING,PAPER HOLD, TOP		3
537	B040301411	CUP SCREW	M2.5X5	1
538	1040968	SPRING,PLATEN FIXING		2
539	1040969	ROLL PAPER UNIT		1
540	B300304211	C.C.S. SCREW	M3X6	2
541	1031165	MINI CLAMP		1
542	1032390	CABLE CRAMP		1
543	1040974	GEAR,PAPER FEED TRANSMIT		1
544	1040975	PLATE,BRAKE		1
545	1040976	LEVER,BRAKE PLATE		1
546	1040977	SPRING,BRAKE PLATE		1
547	1040978	GEAR,PAPER FEED REDUCTION		1
548	1040943	GEAR,SLIP FEED TRANSMIT 1		1
549	1040979	SHAFT,MAIN FRAME FIXING		1
550	B150350111	RETAINING RING	TYPE-E(2.3)	1
551	1040988	GEAR,SLIP FEED REDUCTION		3
552	B150350111	RETAINING RING	TYPE-E(2.3)	2
553	1040989	GEAR,J/S CHANGEOVER		1
554	1040990	LEVER,J/S CHANGEOVER		1
555	2026825	SOLENOID,J/S CHANGEOVER		1
556	B040300111	CUP SCREW	M2X3	2
557	B040301411	CUP SCREW	M2.5X5	1
558	B300304211	C.C.S. SCREW	M3X6	3
559	1040991	SPRING,J/S CHANGEOVER		1
560	1040992	SPACER,MOTOR SHIELD		1
561	1040993	SPACER,PF MOTOR		1
562	2026818	MOTOR,PAPER FEED		1
563	B300204311	C.B.S. SCREW	M3X8	2
564	1040995	LEVER,COVER OPEN DETECTOR		1
565	1040996	SPRING,COVER OPEN DETECTOR		1

REF	PART NO	DESCRIPTION	SPEC	QTY
566	B150350111	RETAINING RING	TYPE-E(2.3)	1
567	1040997	COVER OPEN DETECTOR SUB ASS'Y		1
568	B010902211	C.B.S-TITE,2.5X5		2
569	1040998	ROLL PAPER GUIDE SUB-ASS'Y		1
570	F701001030	ROLLED PAPER HOLDER		2
571	B300304111	C.C.S. SCREW	M3X5	2
572	1017364	HOLDER,N.E.DETECTOR		1
573	1017365	LEVER,N.E.DETECTOR		1
574	2011867	MICROSWITCH	1,30V,0.1A,	1
575	1017753	C.B.B-TITE,2X8	2X8	1
576	B070100311	HEXAGON NUT	M3	1
577	1020228	SPACER,N.E.DETECTOR		1
578	C109302051	DETECTOR ADJUSTMENT		1
579	2007590	DETECTOR,PE		1
580	2027875	CONNECTOR,LEAD WIRE		1
581	1041004	SLIP FEED TOP ROLLER SUB-ASS'Y		1
582	1042869	PLAIN WASHER,3X0.5X7		3
583	1041007	SPRING,BRAKE,TOP ROLLER		1
584	1024687	SHAFT HOLDER,SLIP PF ROLLER		2
585	B150350111	RETAINING RING	TYPE-E(2.3)	2
586	1041008	LINEAR CUTTING BLADE SUB-ASS'Y		1
587	1041010	LINEAR CUTTING BLADE		1
588	B040301411	CUP SCREW	M2.5X5	1
589	1041016	CUTTER,EMERGENCY		1
590	B300304211	C.C.S. SCREW	M3X6	8
591	1041017	SLIDE FRAME SUB-ASS'Y		1
592	1041021	PAPER FEED ROLLER SUB-ASS'Y		1
593	1041024	SLIDE BEARING,PF ROLLER		1
594	B150300711	RETAINING RING	TYPE-E(4)	1
595	1041027	SHAFT,TENSION ROLLER		1
596	B150300711	RETAINING RING	TYPE-E(4)	2
597	1041028	SPRING,TENSION		1
598	1041029	PLATE,TENSION		2
599	1043617	SHEET,PAPER GUIDE		2
600	1041030	ROLLER,PAPER TENSION		1
601	B100153212	PLAIN WASHER	5.2X0.2X10	1
602	1010286	C.P.(S-P1),2.5X5	2.5X5	1
603	1041032	PLATE,PAPER GUIDE		1
604	B300310511	CUP SCREW S TIGHT	M2X4	4
605	1041033	ROTATION FRAME SUB-ASS'Y		1
606	B150300611	RETAINING RING	TYPE-E(3)	2
607	1041036	SPRING,SLIDE FRAME		1
608	1041037	CUTTER SUB-UNIT		1
609	1041041	SPRING,CS SLIDE HOLDER		1
610	B300304211	C.C.S. SCREW	M3X6	2
611	1041042	CARRIAGE CUTTER SUB-ASS'Y		1
612	1041044	CIRCULAR CUTTING BLADE SUB-ASS'Y		1
613	1041047	GEAR,CCB DRIVING		1
614	1041048	SPRING,CCB HOLD		1
615	1041049	SHAFT,CCB DRIVING		1
616	B150300314	RETAINING RING	TYPE-E(1.5)	1
617	1041050	GEAR,CCB TRANSMISSION		1
618	1041051	SHAFT,CARRIAGE AC		2
619	1041052	CUTTER FRAME ASS'Y		1
620	2026822	MOTOR,AC		1
621	1041061	CUTTER HP DETECTOR ASS'Y		1
622	1041062	GEAR,REDUCTION AC		1

# EPSON

## TM-J8000P(011)

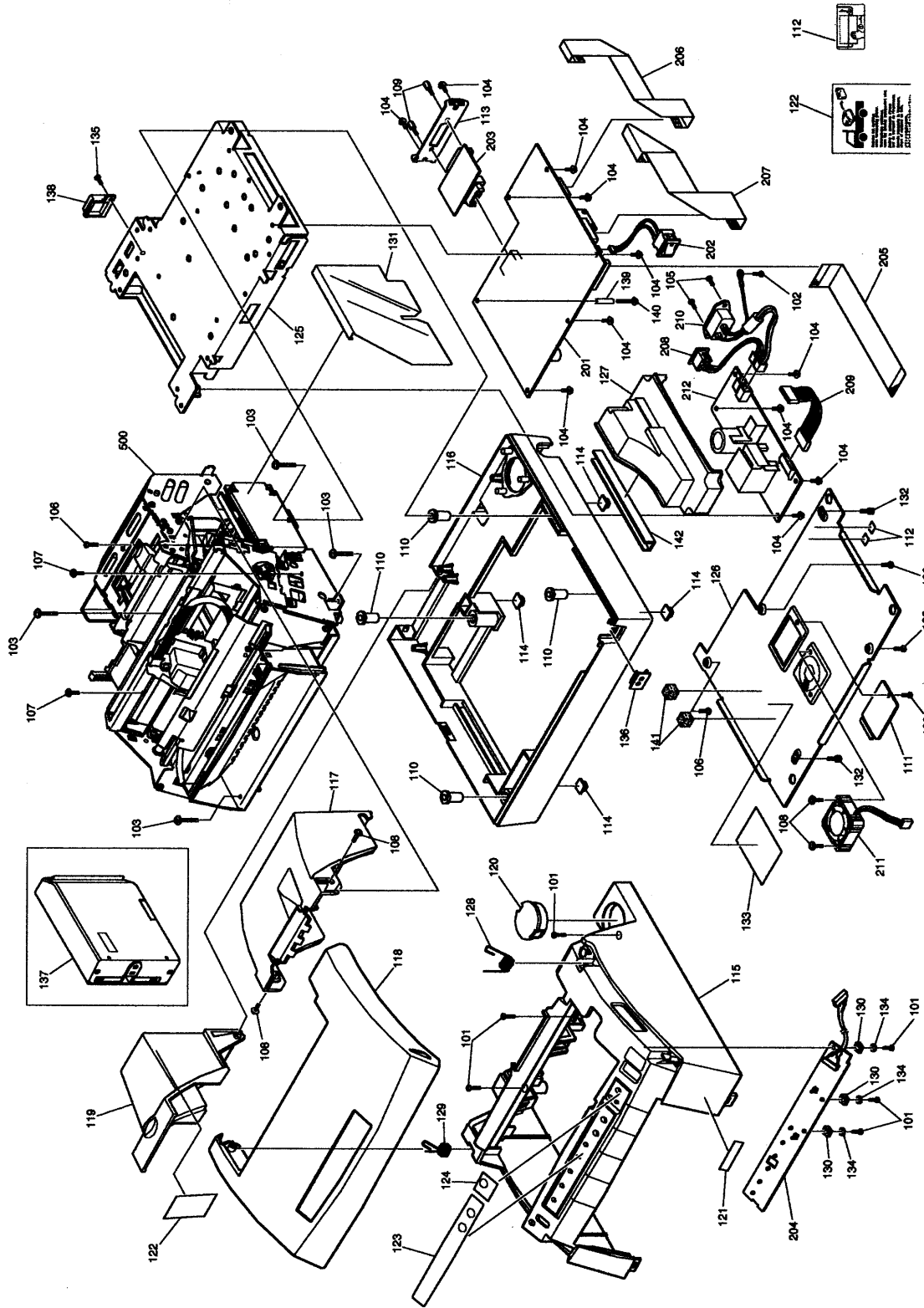
Page 6

REF	PART NO	DESCRIPTION	SPEC	QTY
623	1041063	SHAFT,REDUCTION AC		1
624	1041064	GEAR,MOTOR AC		1
625	1041437	C.B.,2.3X3,F/ZN		1
626	1041065	GEAR,TRANSMISSION AC		1
627	B150300611	RETAINING RING	TYPE-E(3)	1
628	1041066	LEVER,CS LOCK		1
629	1041067	SPRING,CS LOCK LEVER		1
630	1041068	COVER,AC		1
631	1041448	GEAR, RACK AC		1
632	1041069	PAPER GUIDE,AC		1
633	1041070	SHAFT,PAPER GUIDE AC		1
634	1041071	SPRING,PAPER GUIDE AC		1
635	B150300314	RETAINING RING	TYPE-E(1.5)	2
636	X522000010	WIRE BAND		1
637	1041072	SHAFT,FRAME SUPPORT		1
638	B150300911	RETAINING RING	TYPE-E(6)	2
639	B150300611	RETAINING RING	TYPE-E(3)	2
640	1041073	SHAFT,SLIDE HOLD		1
641	1041074	SPRING,BALANCE		2
642	B300304111	C.C.S. SCREW	M3X5	4
643	1041075	SPRING,PLATEN HOLD		2
644	1041076	SHUTTER UNIT		1
645	1041080	CAM,SLIP O/C		1
646	1041081	CAM,FORM BRAKE O/C		1
647	1041082	SHAFT,ROLLER O/C CAM		1
648	B150300314	RETAINING RING	TYPE-E(1.5)	1
649	1041083	SHUTTER MOTOR FIXING PLATE S/A		1
650	1041086	GEAR,SHUTTER REDUCTION		1
651	B150350111	RETAINING RING	TYPE-E(2.3)	1
652	1041087	WASHER,SHUTTER		1
653	1041088	CAM,SHUTTER DRIVE		1
654	1041089	SHAFT,SHUTTER CAM		1
655	2026817	MOTOR,SHUTTER		1
656	B300204211	C.B.S. SCREW	M3X6	1
657	B300304111	C.C.S. SCREW	M3X5	4
658	B150300711	RETAINING RING	TYPE-E(4)	1
659	1041091	SHUTTEER SLIDER SUB-ASS'Y		1
660	1041094	SHAFT,SHUTTER LEVER		1
661	B150300314	RETAINING RING	TYPE-E(1.5)	1
662	1041096	FIXING PLATE,SH.DETECT		1
663	1041097	SHUTTER DETECTOR SUB-ASS'Y		1
664	B300304211	C.C.S. SCREW	M3X6	1
665	B300304211	C.C.S. SCREW	M3X6	1
666	1041098	FORM BRAKE OPEN/CLOSE LEVER S/A		1
667	1041102	SLIP OPEN/CLOSE LEVER SUB-ASS'Y		1
668	1041104	SHAFT,O/C LEVER		1
669	B150300611	RETAINING RING	TYPE-E(3)	6
670	1041105	SPRING,SLIP HOLD,FRONT		1
671	1041106	SPRING,FORM STOPPER O/C		1
672	1041107	ROLLER,SLIP HOLD,FRONT,R		1
673	1041108	ROLLER,SLIP HOLD,FRONT,L		1
674	1041109	SHAFT,SLIP HOLD,FRONT		1
675	B150350111	RETAINING RING	TYPE-E(2.3)	1
676	1041111	FIXING PLATE,SLIP HOLD,C		1
677	1041112	ROLLER,SLIP HOLD,CENTRE		3
678	1041114	LVER,SLIP HOLD,CENTRE		3
679	1041115	SHAFT,SLIP HOLD,CENTRE		3

REF	PART NO	DESCRIPTION	SPEC	QTY
680	1041116	SHAFT,SLIP HOLDING LEVER		1
681	B150300314	RETAINING RING	TYPE-E(1.5)	1
682	B300304111	C.C.S. SCREW	M3X5	2
683	1041117	LEVER,SHUTTER DRIVE		1
684	1041118	SLIP SHUTTER ASS'Y		1
685	B150350111	RETAINING RING	TYPE-E(2.3)	1
686	1041134	PAPER GUIDE,SLIP,FRONT		1
687	1041135	PAPER GUIDE,SLIP,UPPER		1
688	1041136	T.O.F.DETECTOR SUB-ASS'Y		1
689	1041435	C.P.B-TI(S-P2),2.6X6,F/ZN		5
690	1041265	SPRING,SHUTTER		2
691	X522000010	WIRE BAND		1
692	B300304211	C.C.S. SCREW	M3X6	2
693	B300304111	C.C.S. SCREW	M3X5	3
694	1041138	FIXING PLATE,C ROLLER SP.		1
695	1041139	SPRING,SLIP HOLD,CENTER		3
696	1041140	SHAFT,C.ROLLER SPRING		1
697	B150350111	RETAINING RING	TYPE-E(2.3)	1
698	B300304211	C.C.S. SCREW	M3X6	3
699	1041143	DUMMY,MICR		1
700	B300304211	C.C.S. SCREW	M3X6	1
701	B312104511	C.P.B.(P) SCREW		1
702	1041144	CARRIAGE UNIT		1
703	1041150	CARRIAGE MOTOR SUB-ASS'Y		1
704	1041152	FIXING PLATE,CARRIAGE DETECTOR		1
705	1041153	EARTH PLATE,CARRIAGE MOTOR		2
706	1041154	BUSH,CARRIAGE MOTOR		4
707	1041155	SPACER,CARRIAGE MOTOR		4
708	B070100311	HEXAGON NUT	M3	4
709	1041156	CONNECTION CIRCUIT BOARD S/A		1
710	B302404211	C.P.S.(O) SCREW	M3X6	1
711	1041157	HP CARRIAGE DETECTOR ASS'Y		1
712	B300304211	C.C.S. SCREW	M3X6	1
713	B302304211	C.P.S.(P) SCREW	M3X6	1
714	1041161	SLIP HOLD TOP SOLENOID SUB-ASS'Y		1
715	2026823	SOLENOID,SLIP HOLD,TOP		1
716	1041163	ROLLER,SLIP HOLD TOP,R		1
717	1041164	ROLLER,SLIP HOLD TOP,L		1
718	1041165	SHAFT,SLIP HOLD,TOP		1
719	B150350111	RETAINING RING	TYPE-E(2.3)	1
720	B040351911	CUP SCREW		2
722	1041167	HEAD CARRIAGE SUB-ASS'Y		1
723	1041176	BELT,CARRIAGE		1
724	1041177	FELT,OIL HOLD		1
725	1041178	SHAFT,CARRIAGE GUIDE		1
726	1041179	PLATE,PG ADJUSTMENT		2
727	1041180	EARTH PLATE,GUIDE SHAFT		2
728	B300204111	C.B.S. SCREW	M3X5	2
729	1041181	CR TRANSMIT PULLEY PLATE S/A		1
730	1041184	PULLEY,CARRIAGE TRANSMISSION		1
731	B150300611	RETAINING RING	TYPE-E(3)	1
732	1041185	SPRING,BELT TENSION		1
733	1041186	TUBE GUIDE FRAME SUB-ASS'Y		1
734	B300304211	C.C.S. SCREW	M3X6	2
735	1042532	TUBE GUIDE ASSIST FRAME SUB-ASS'Y		1
736	B300304211	C.C.S. SCREW	M3X6	8
737	B302404211	C.P.S.(O) SCREW	M3X6	1



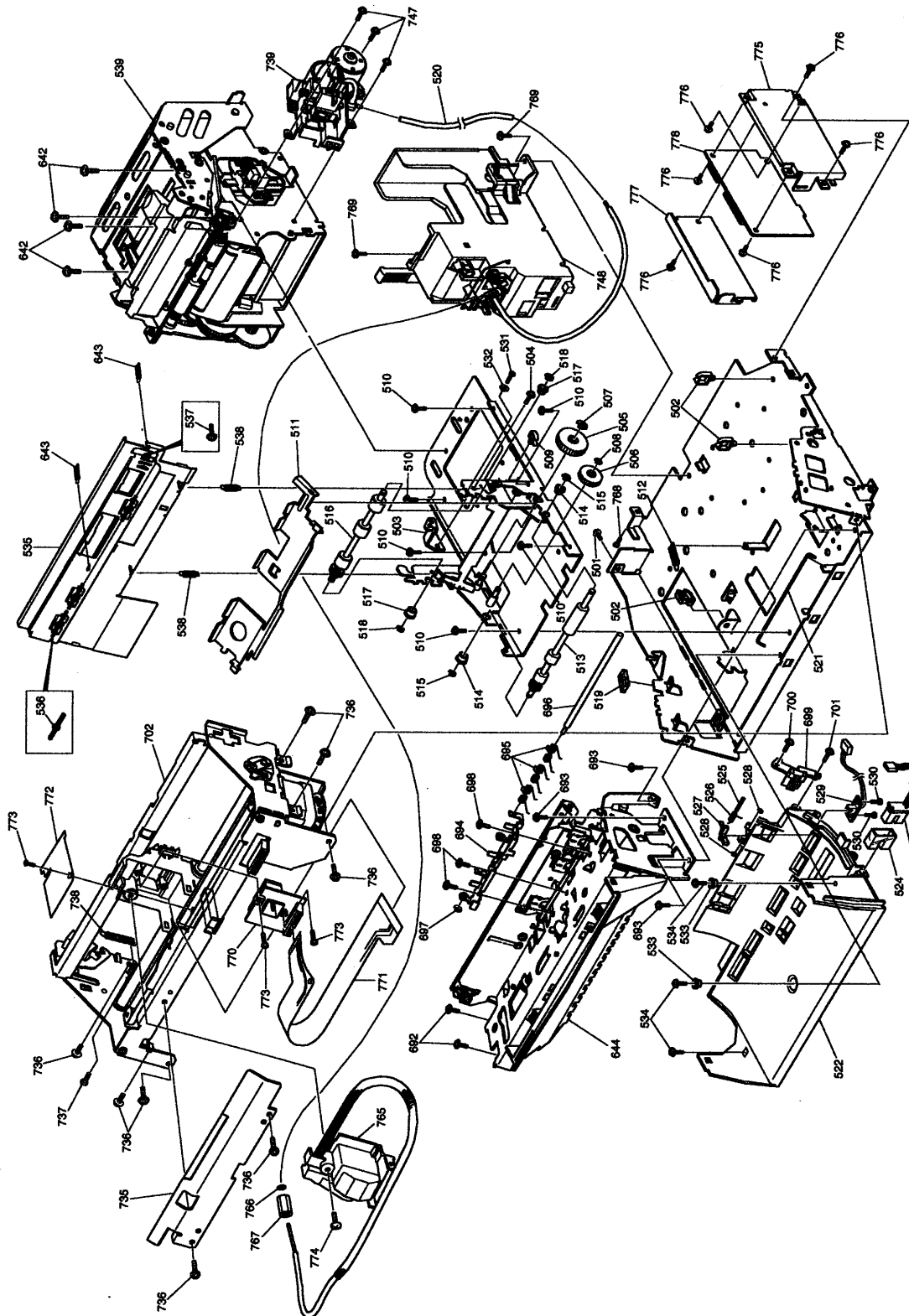




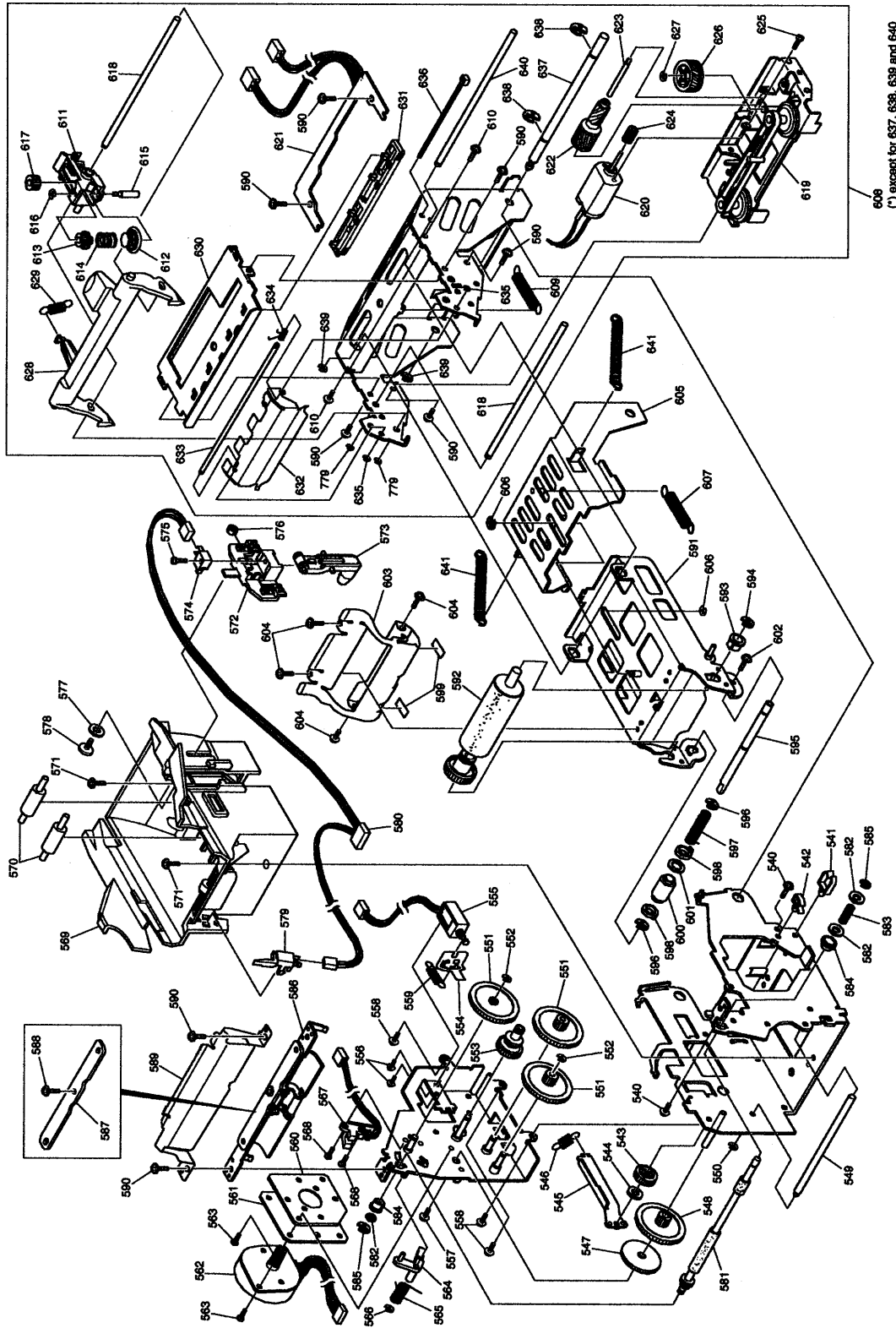
EXPLODED DIAGRAM FOR TM-J8000 NO.1

# EPSON TM-J8000P(011)

Page 10



EXPLODED DIAGRAM FOR TM-J8000 NO.2

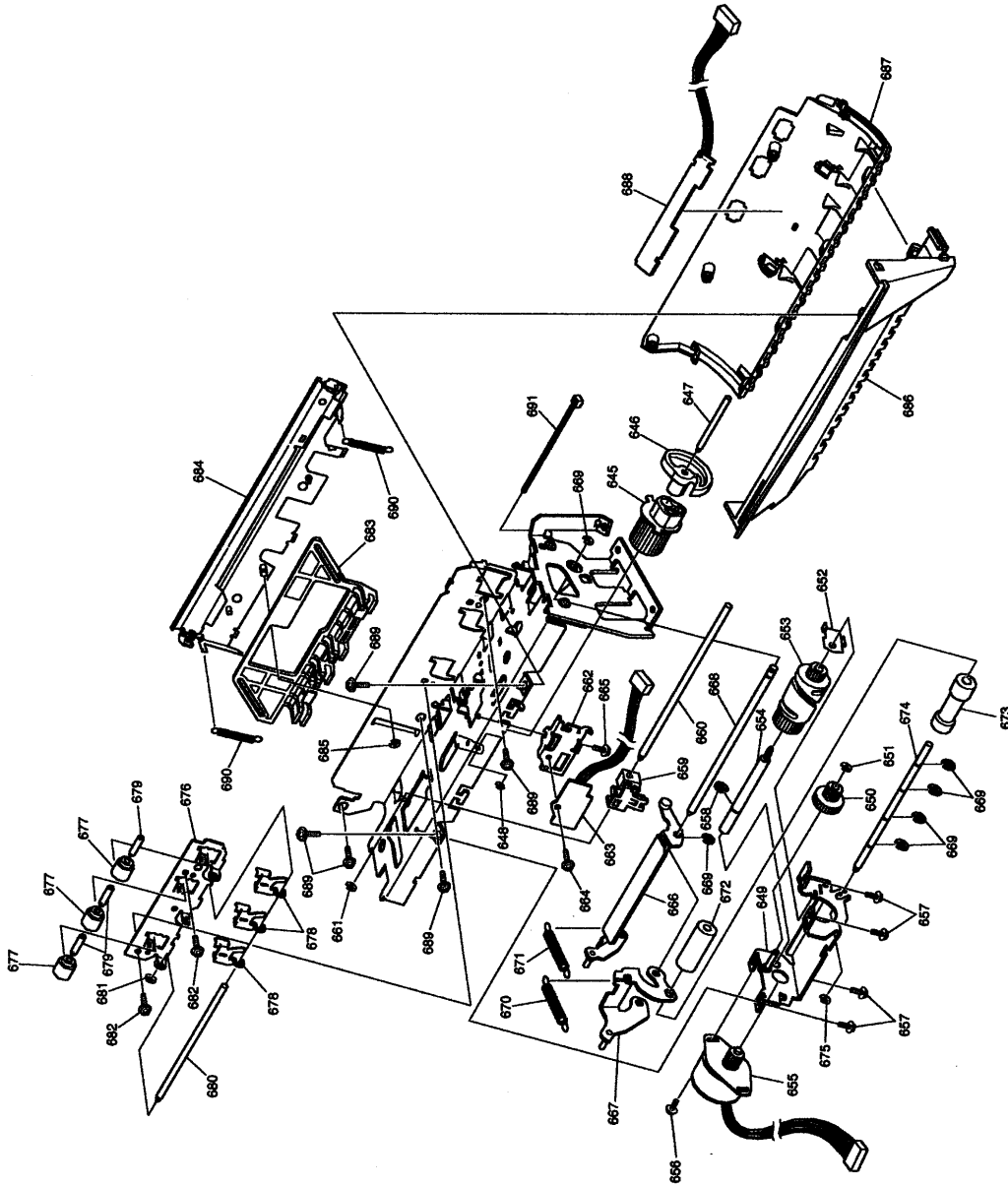


606  
(\*) except for 637, 638, 639 and 640

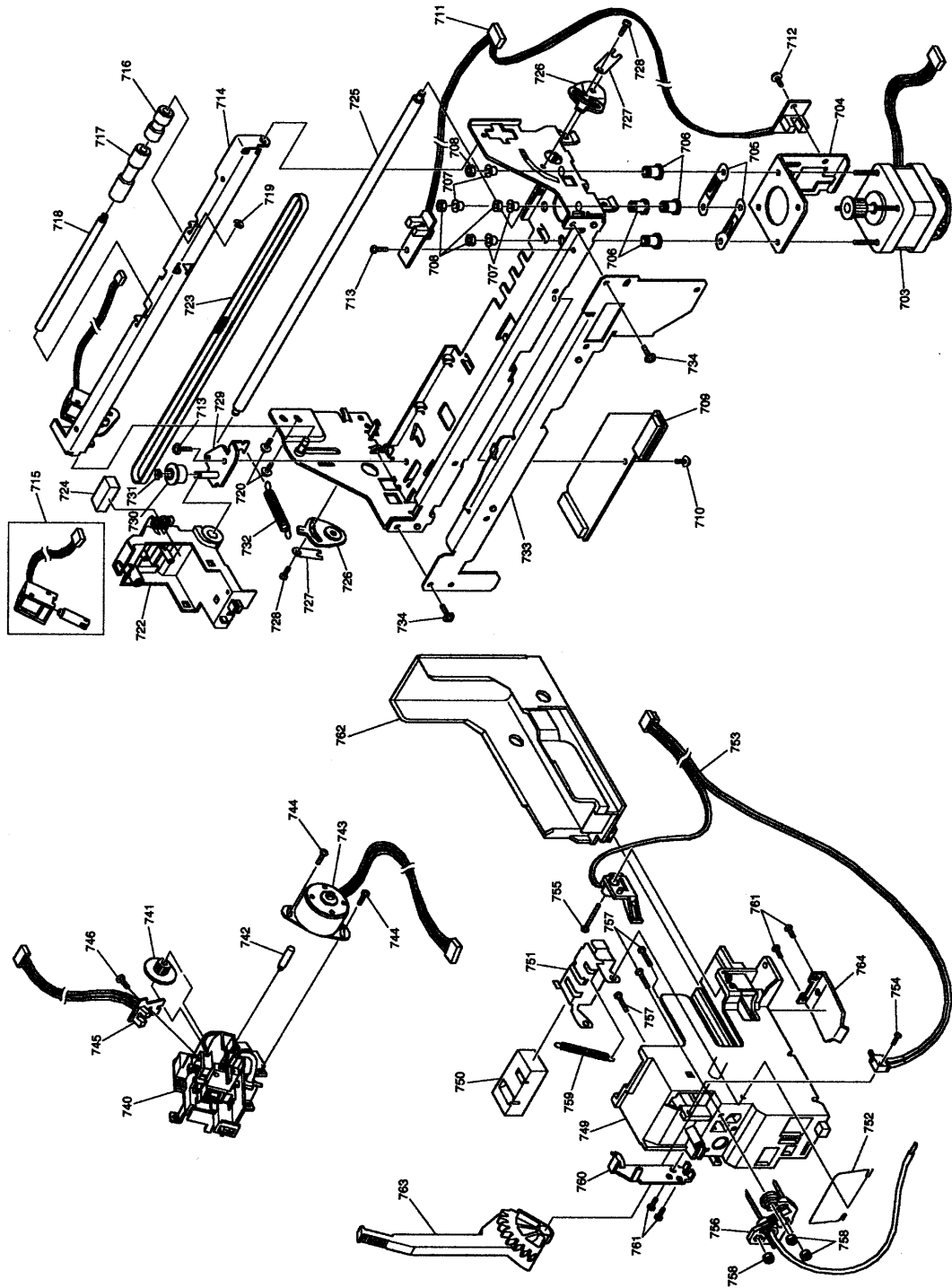
EXPLODED DIAGRAM FOR TM-J8000 NO.3

# EPSON TM-J8000P(011)

Page 12



EXPLODED DIAGRAM FOR TM-J8000 NO.4



EXPLODED DIAGRAM FOR TM-J8000 NO.5