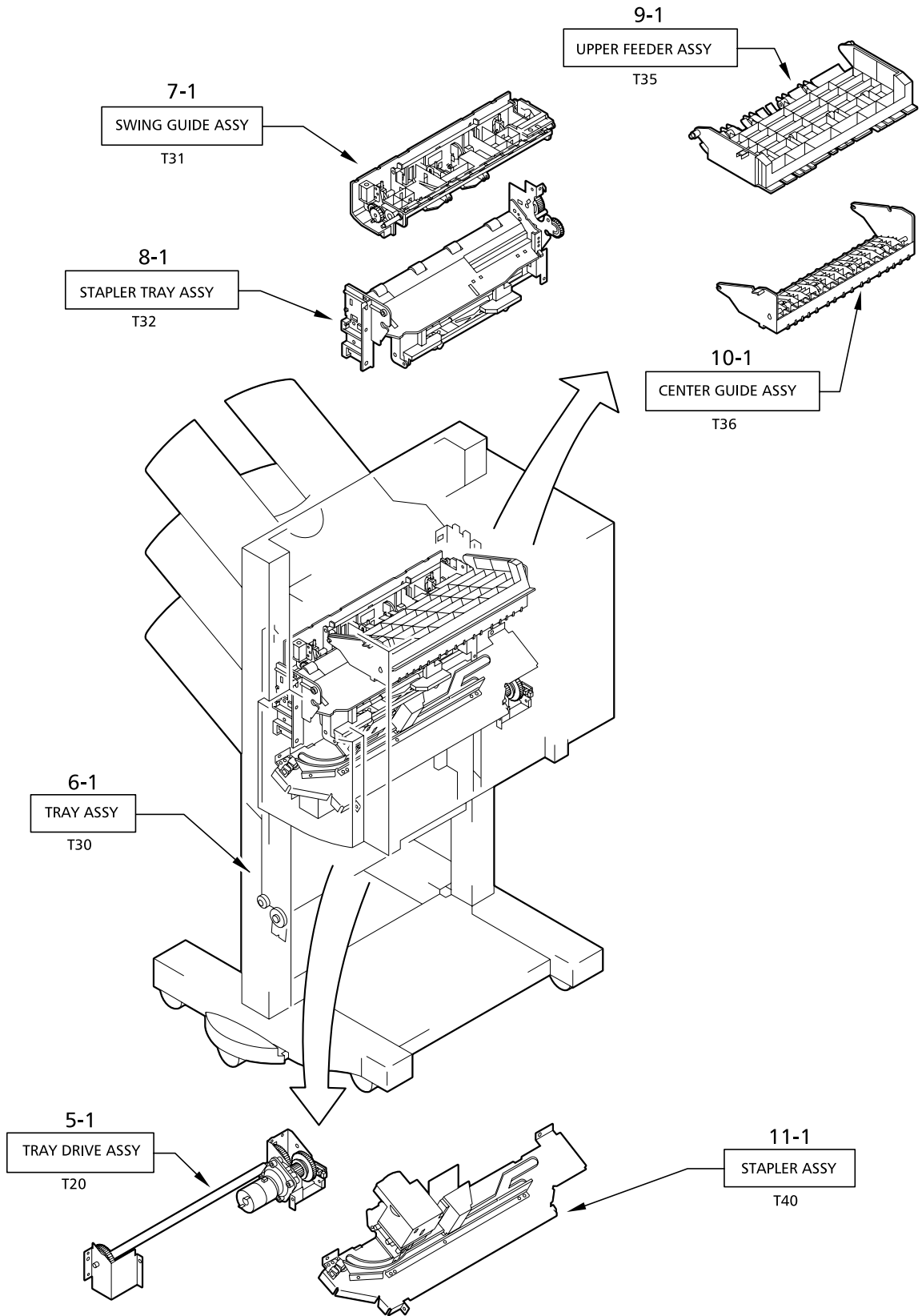


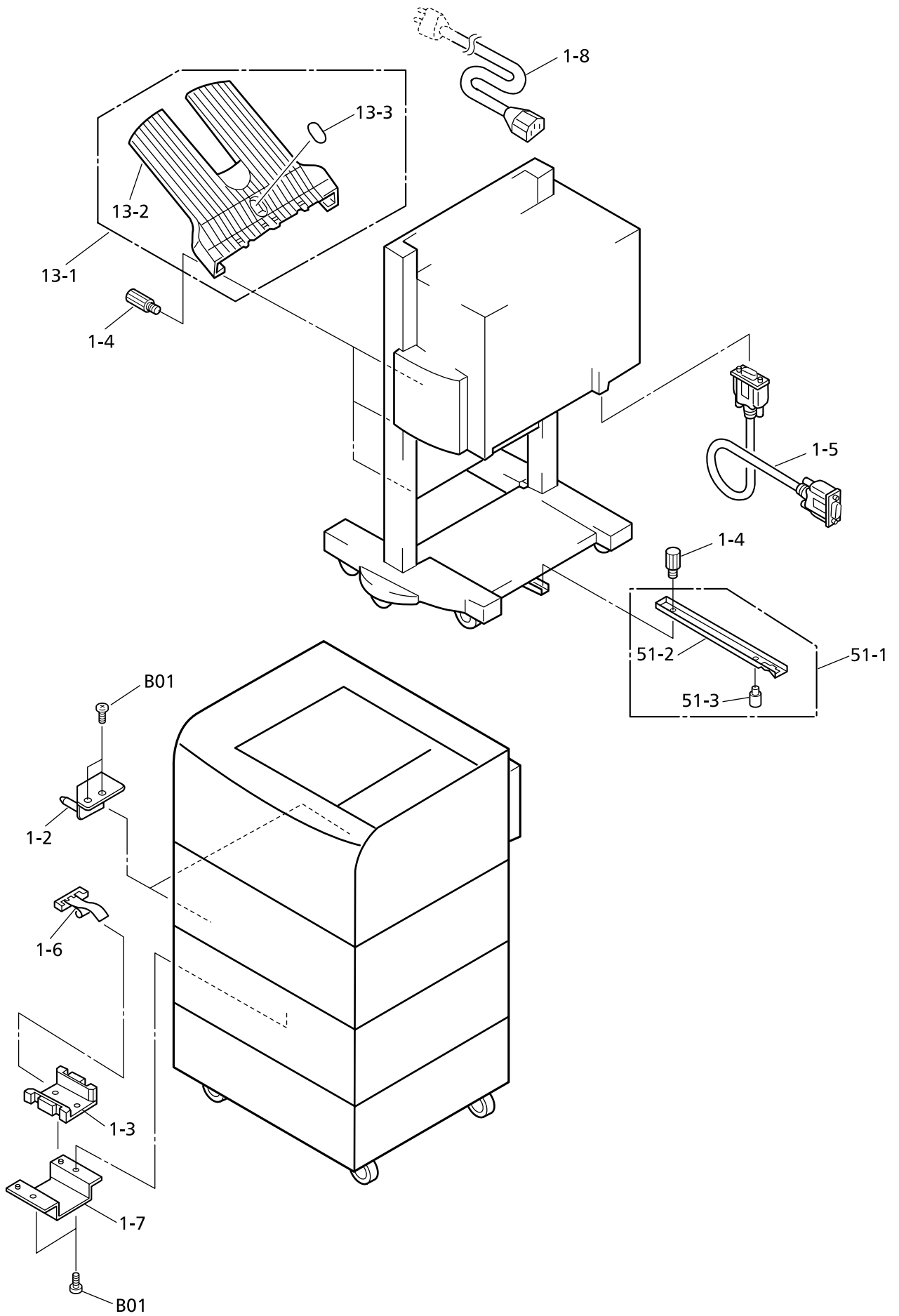
GENERAL SERVICE PARTS FOR MODEL DF-30/31 SERIES

- 1.Ref. No.は部品展開図中の同番号と対応しています。
- 2.表中のYesで示す部品のみが本機に該当します。
- 3.部品展開図中にある部品で、表中にない部品は一般サービス部品としては供給されません。
- 4.Used (使用個数)欄が0の部品は、使用されていない部品です。

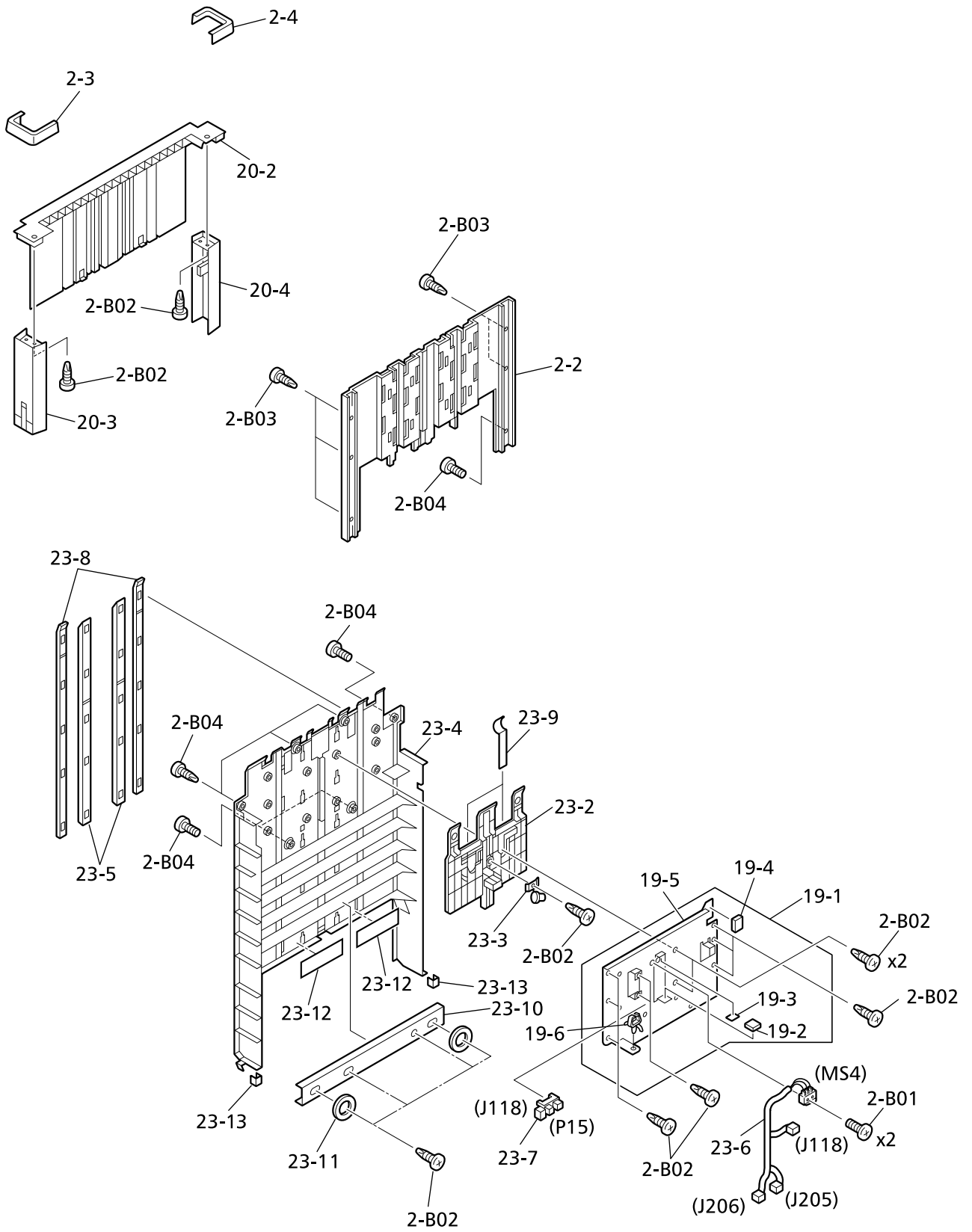
Overall



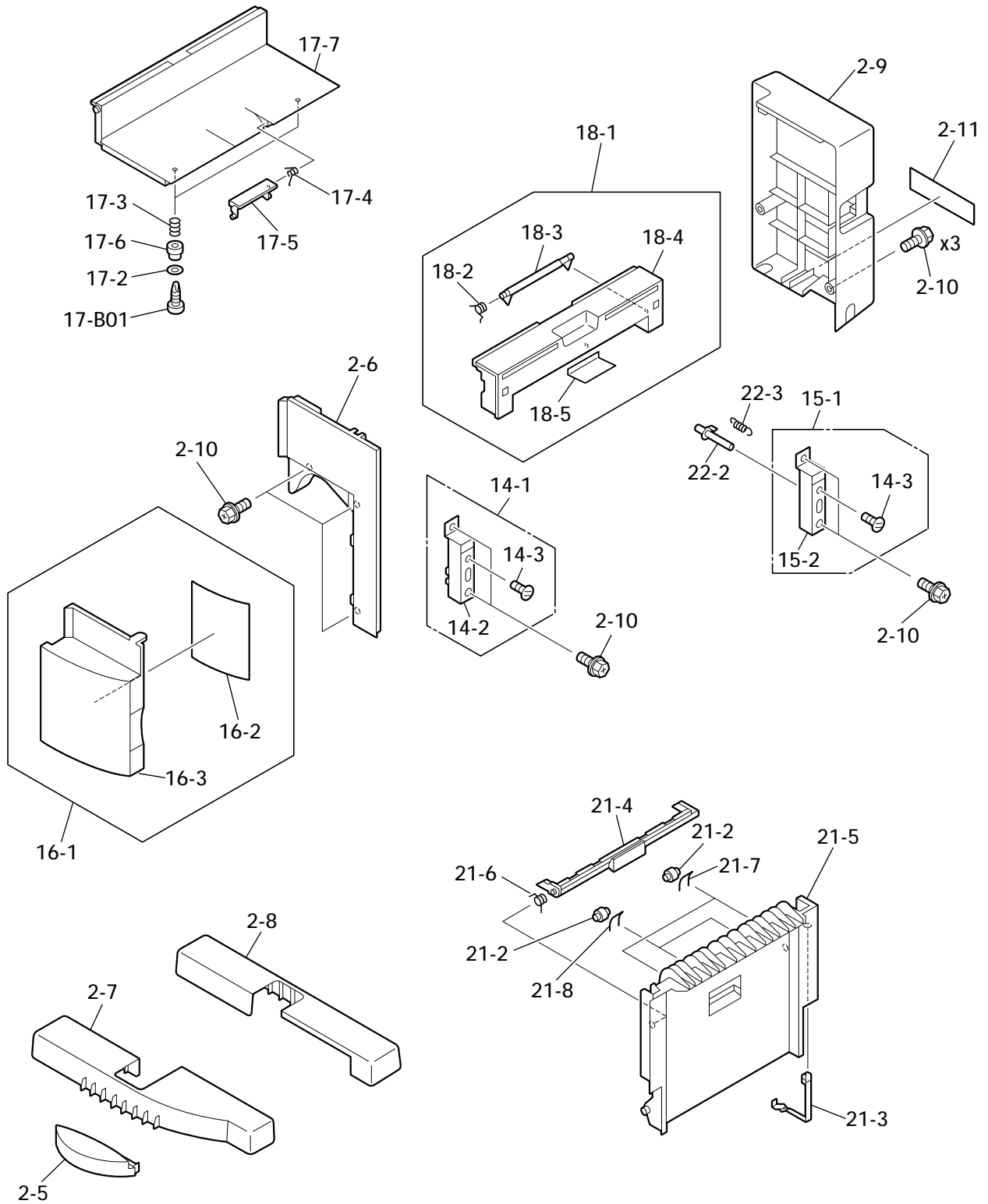
Attachment parts



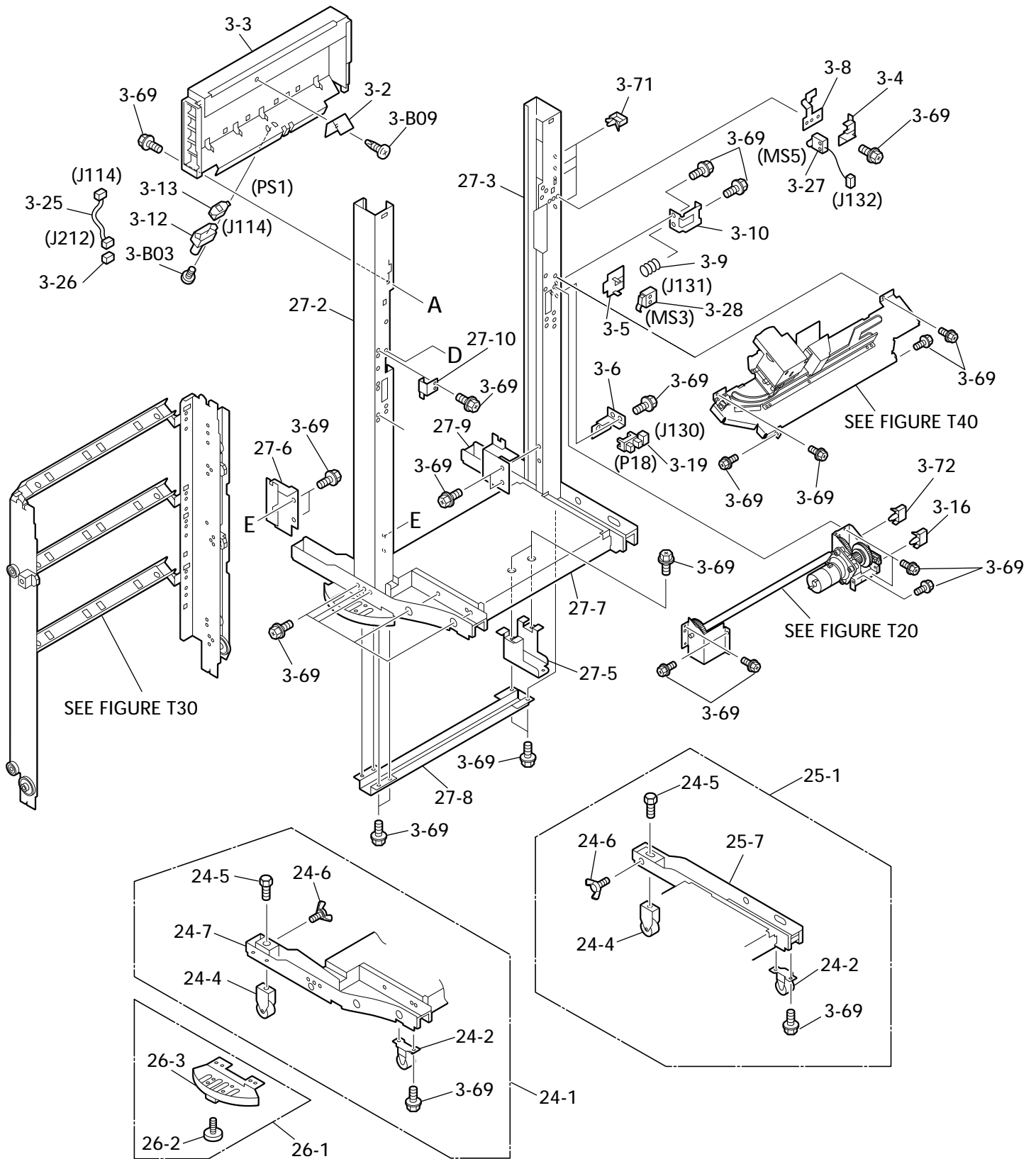
External Covers/Panels - 1



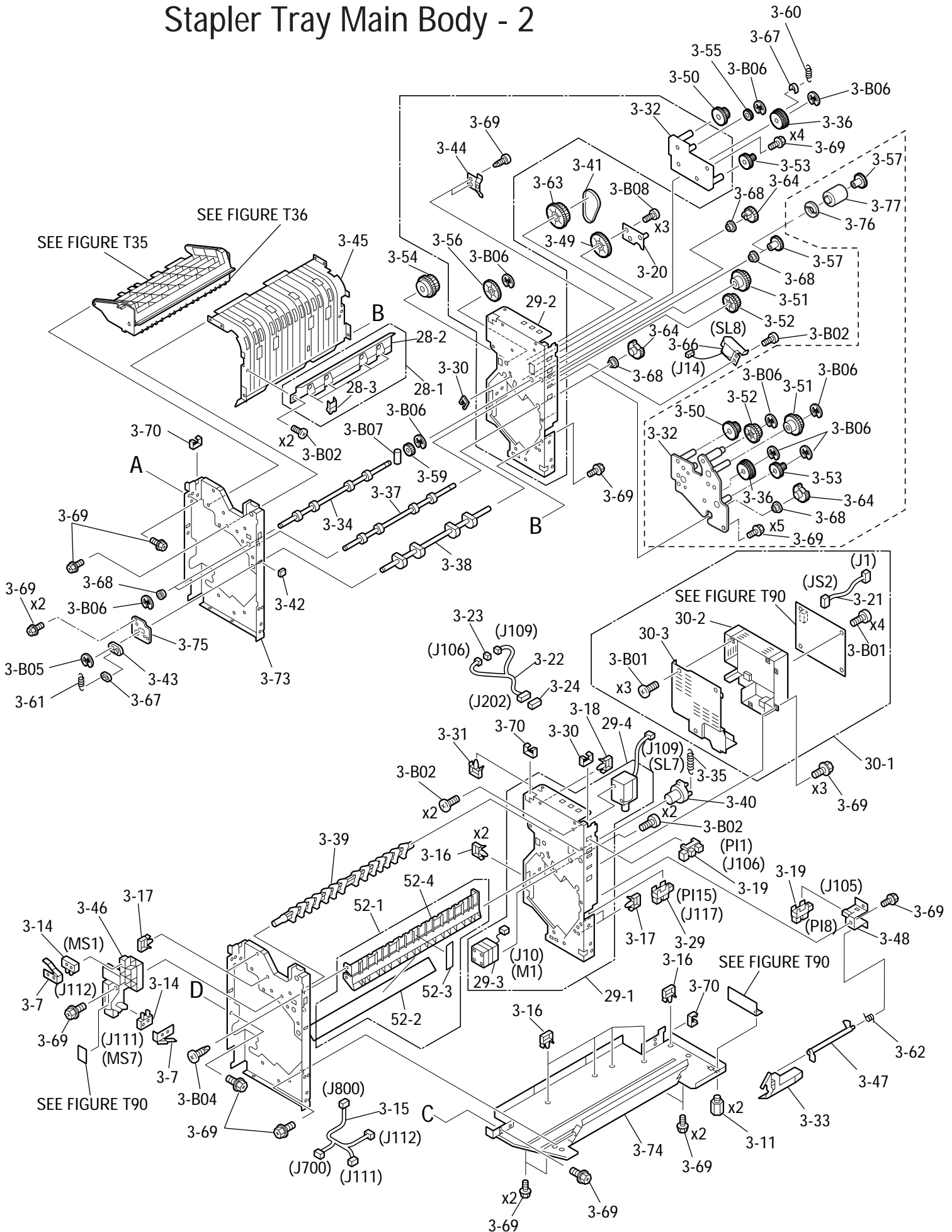
External Covers/Panels 2



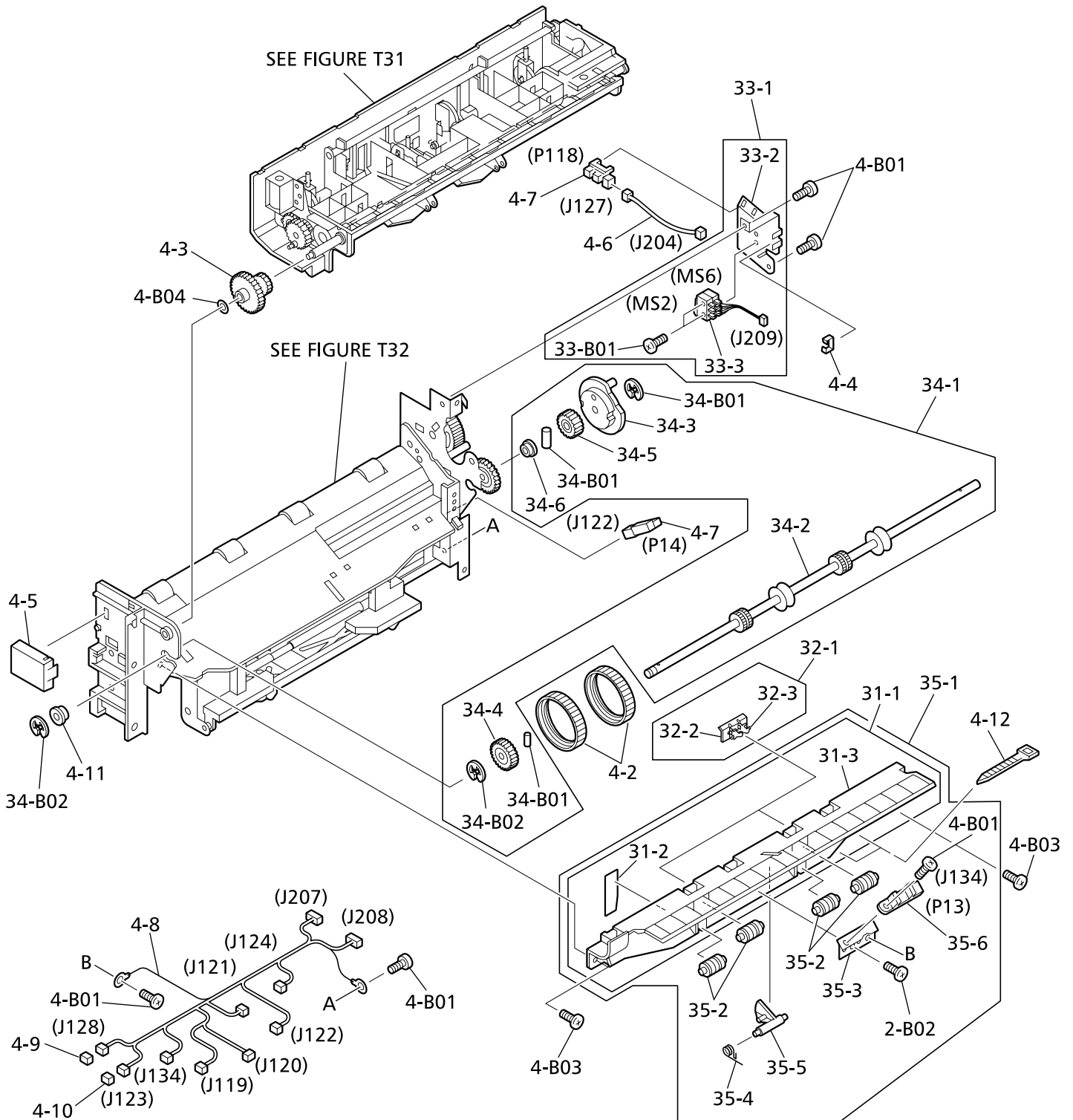
Stapler Tray Main Body - 1



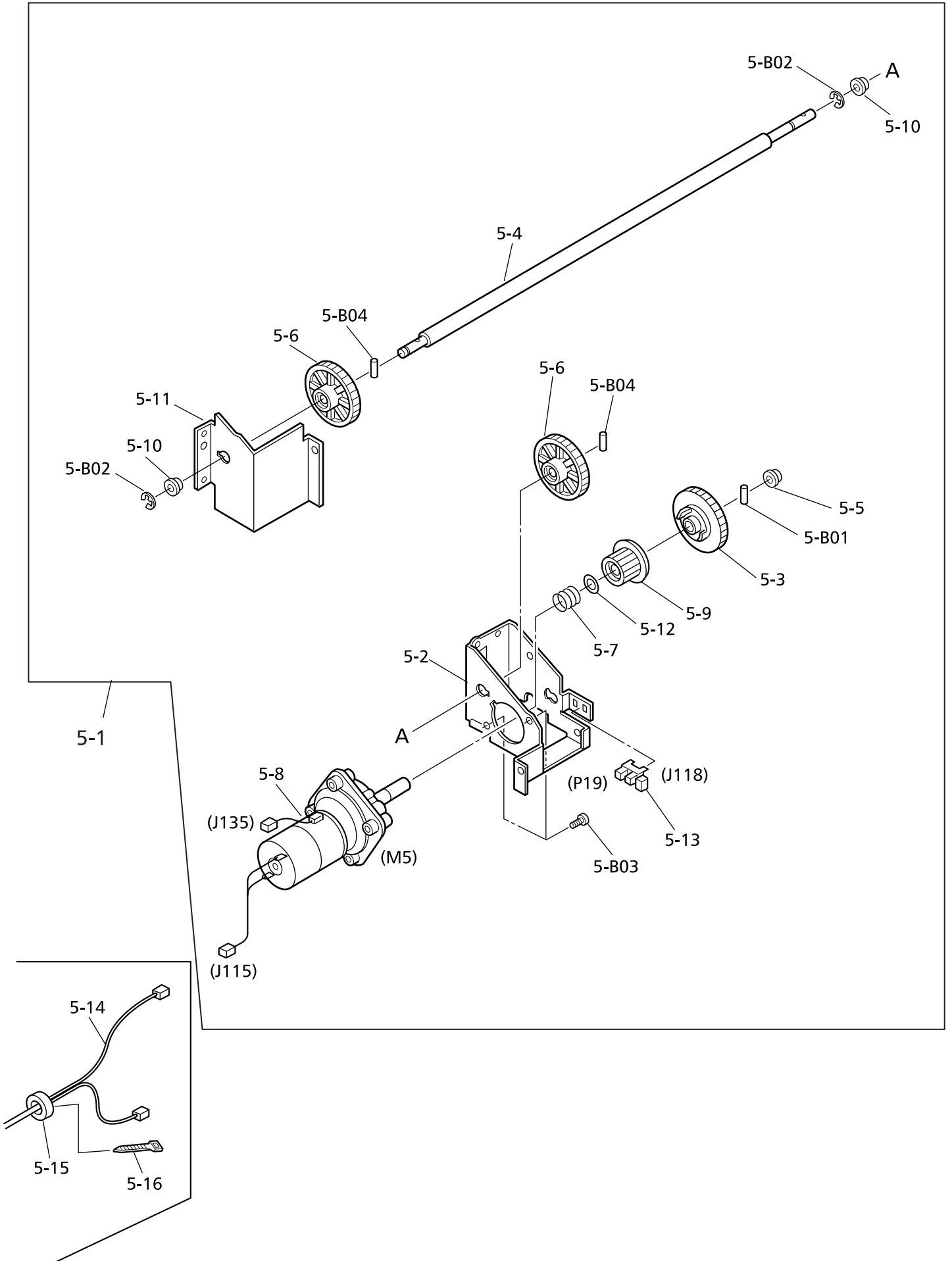
Stapler Tray Main Body - 2



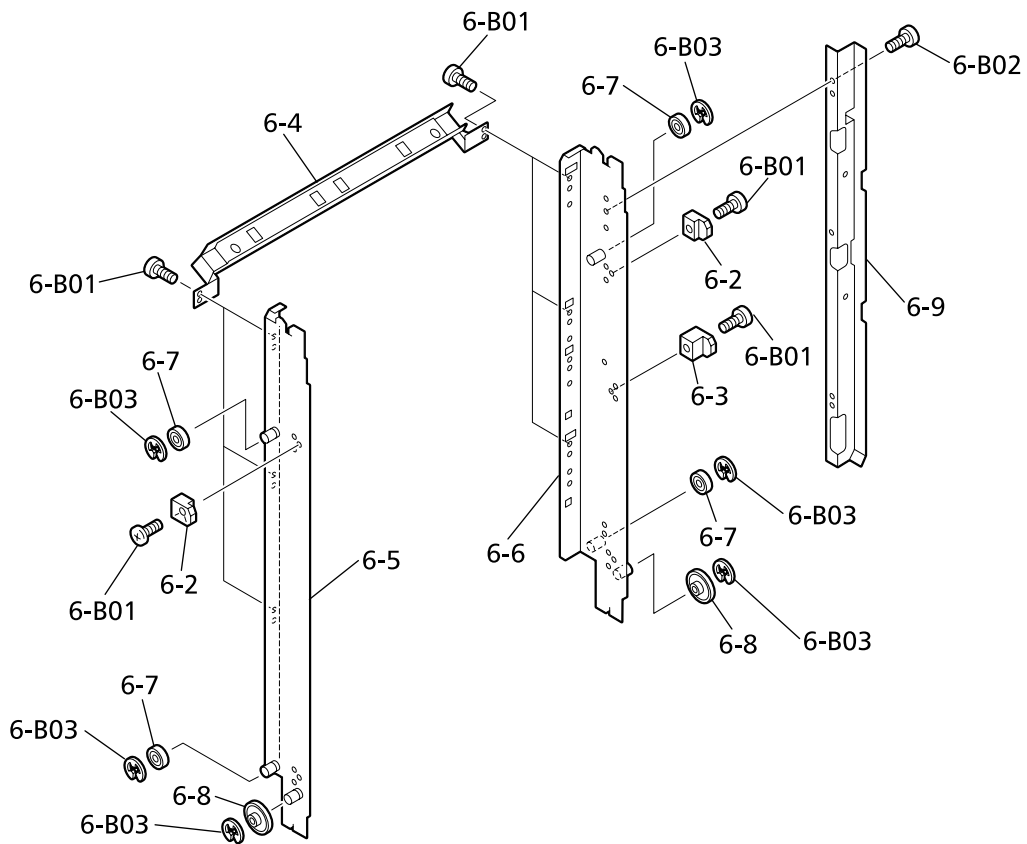
Stapler Tray Main Body - 3



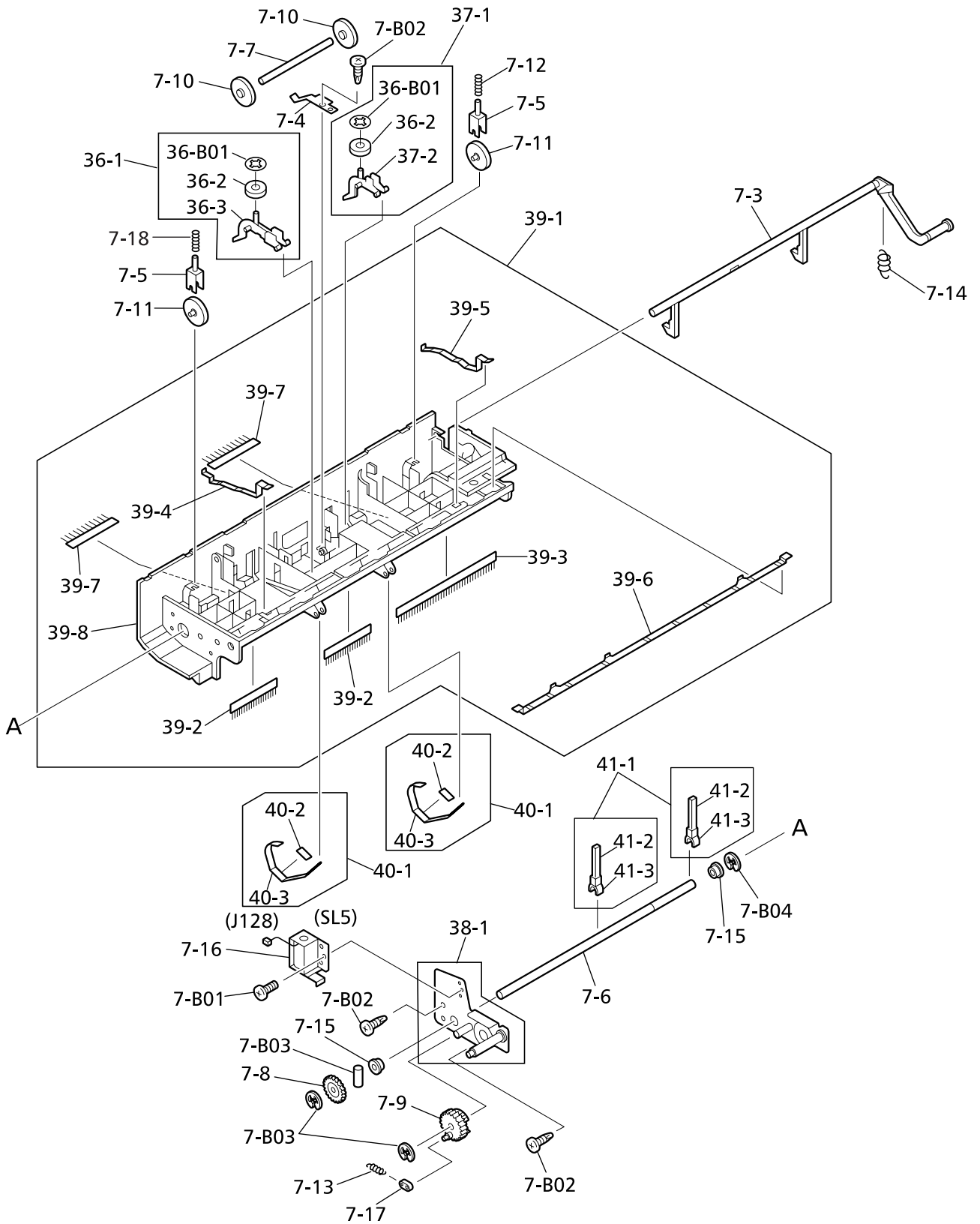
Tray Drive Assembly



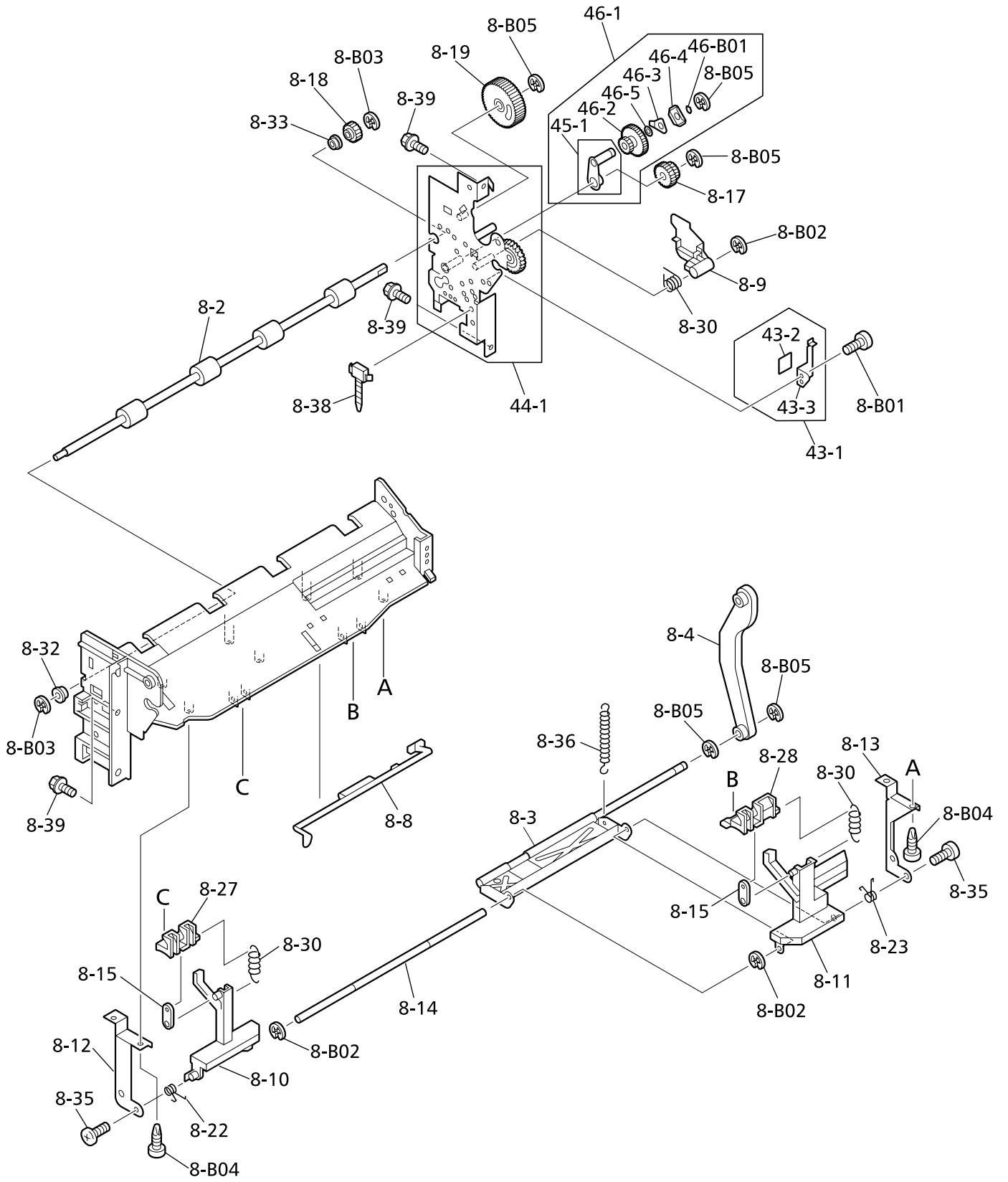
Tray Assembly



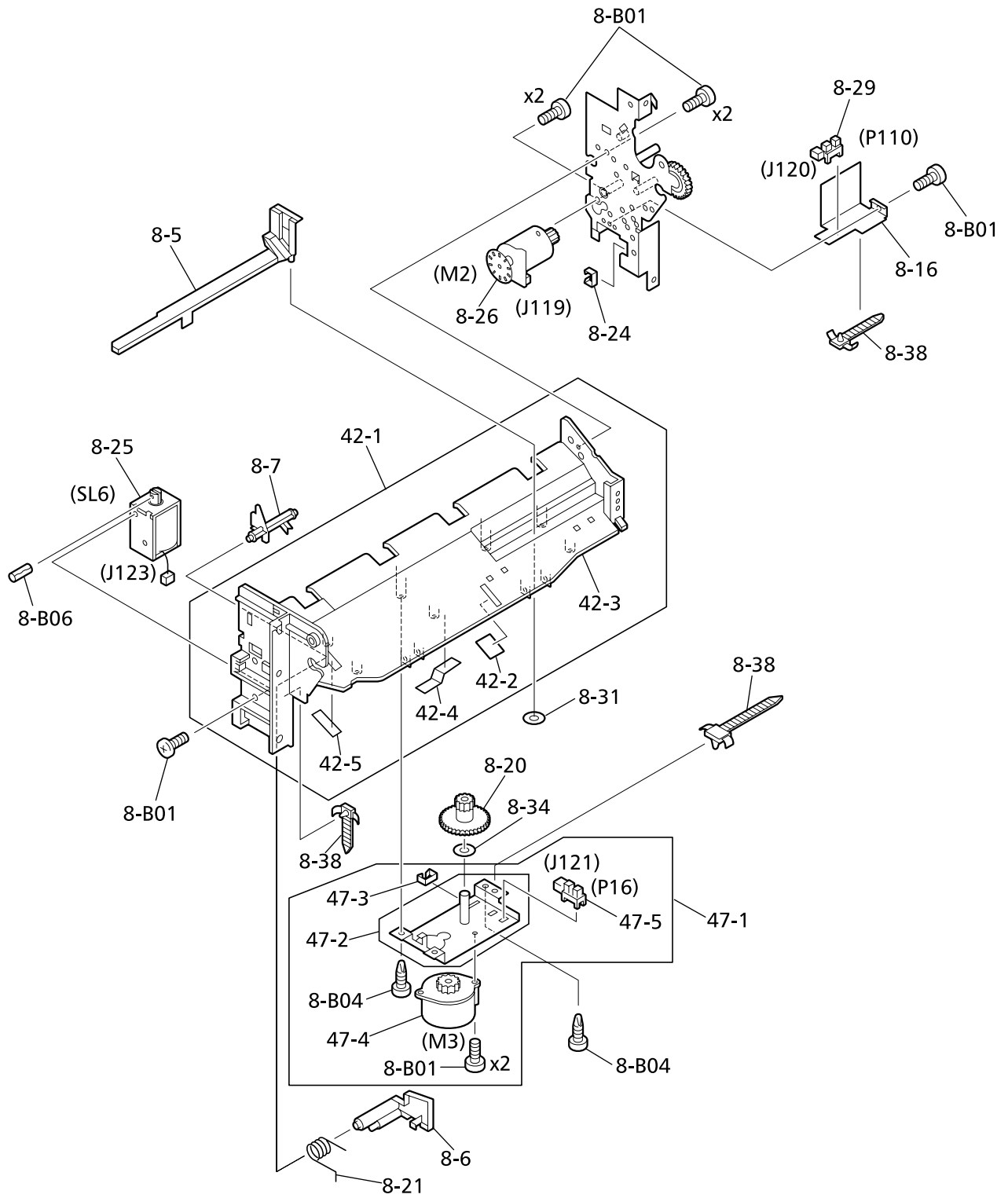
Swing Guide Assembly



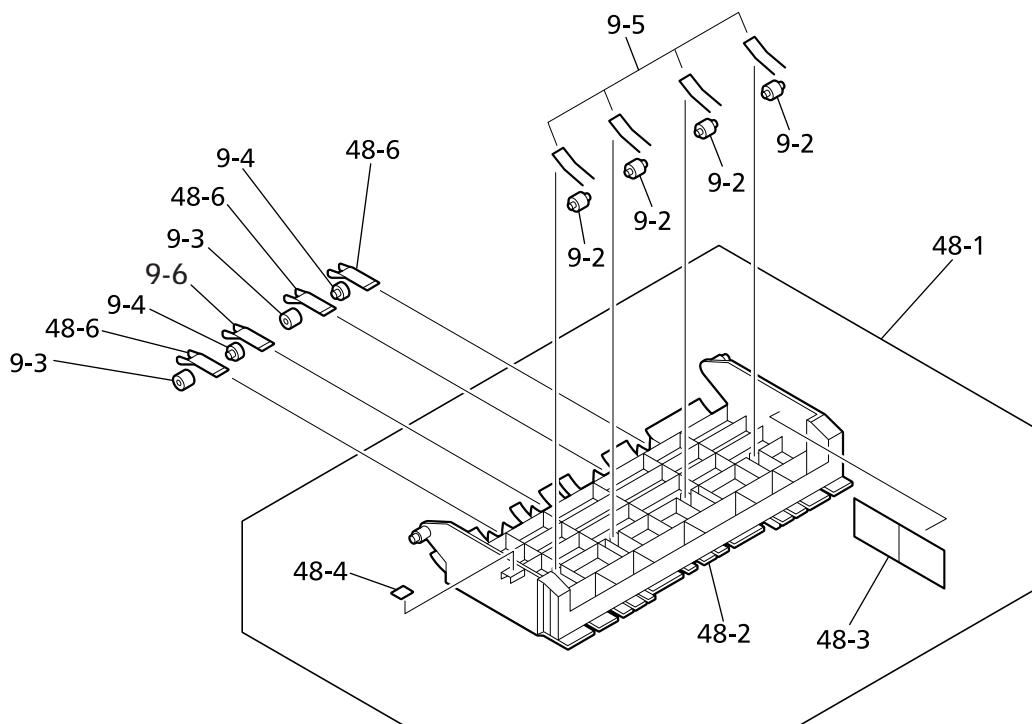
Stapler Tray Assembly - 1



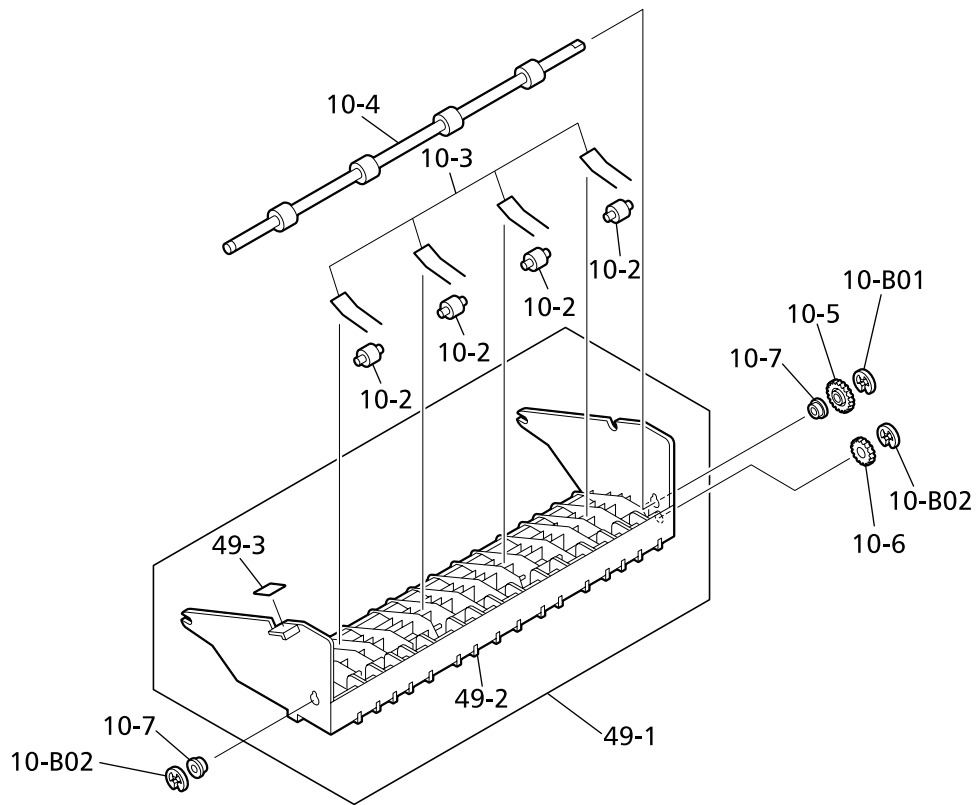
Stapler Tray Assembly - 2



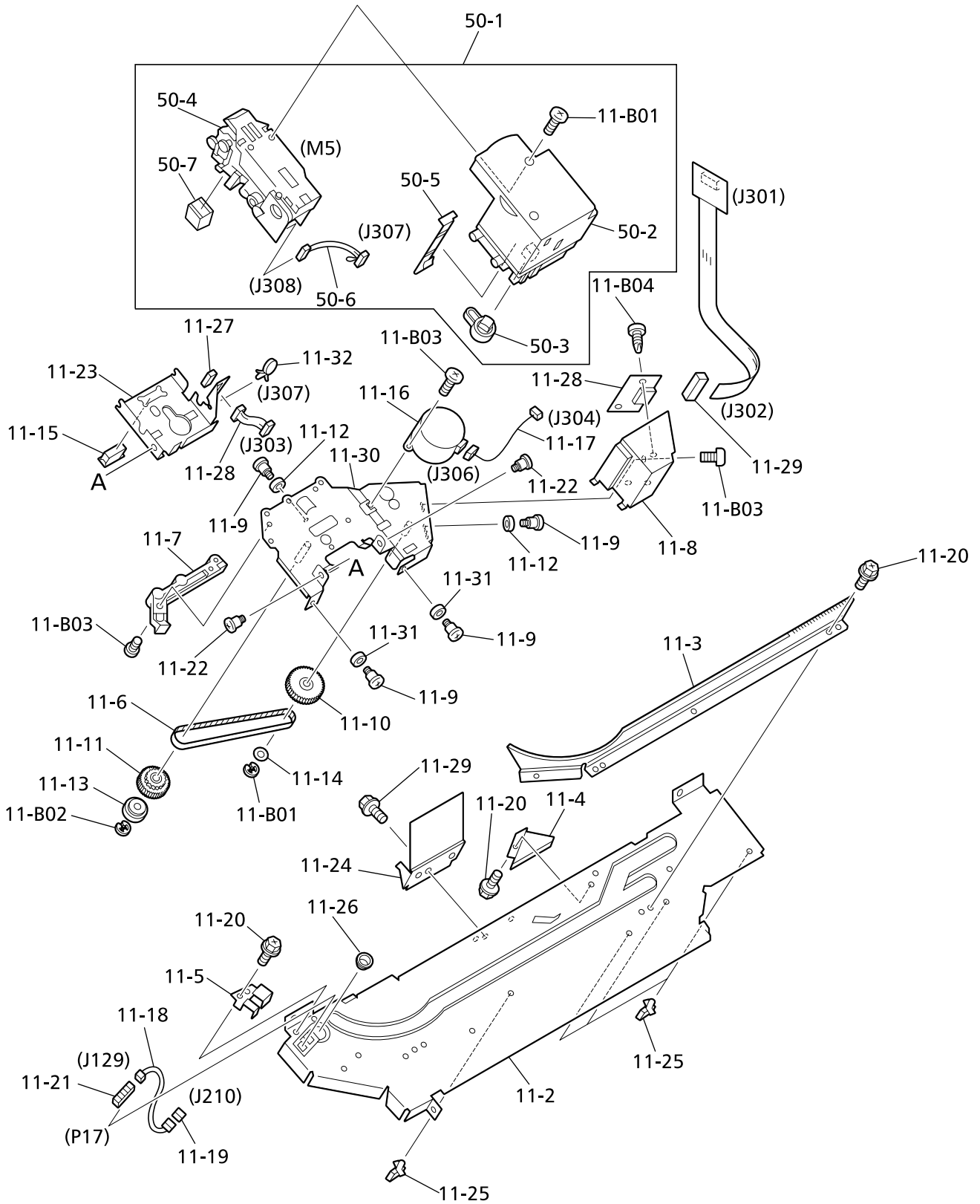
Upper feeder assembly



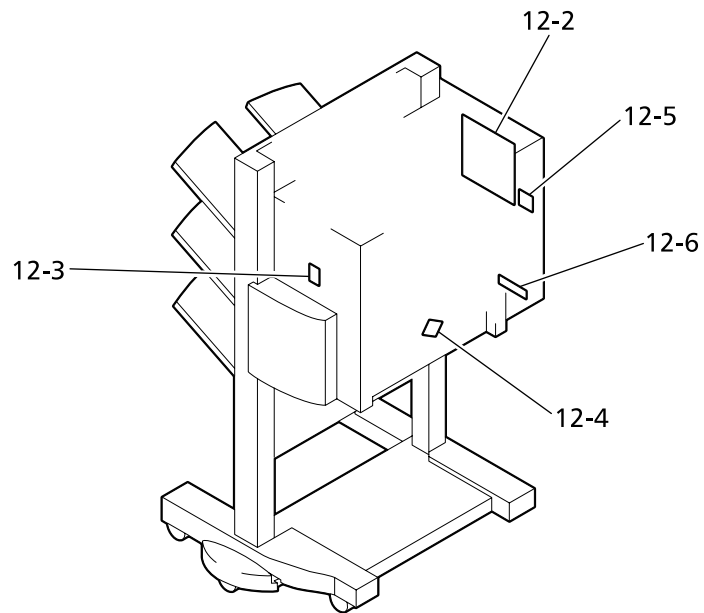
Center Guide Assembly



Stapler Assembly



PCB Assembly Location



REF.NO	PART CODE	DESCRIPTION	ISP	USED	DF-30	DF-31
					KCCS	KCCS
01-002	5SNSP0011793	GUIDE	1	2	Yes	Yes
01-003	5SNSP0011796	RAIL GUIDE	1	1	Yes	Yes
01-004	5SNSP0011797	SCREW TRAY M4		7	Yes	Yes
01-005	5SNSP0011798	CABLE INTERFACE	1	1	Yes	Yes
01-006	5SNSP0011801	GROUND ADAPTER	1	1	Yes	Yes
01-007	5SNSP0011802	BLACKET	1	1	Yes	Yes
01-008	5SNSP0012302	BOTTOM FRAME REAR		1	Yes	Yes
01-008	5SNSP0012305	CABLE AC JAPAN		1	Yes	Yes
01-008	5SNSP0012306	CABLE AC AMERICA		1	No	No
01-008	5SNSP0012307	CABLE AC ENGLAND		1	No	No
01-008	5SNSP0012308	CABLE AC AUSTRALIA		1	No	No
01-008	5SNSP0012309	CABLE AC GERMANY		1	No	No
02-002	5SNSP0011803	GUIDE HURDLE TOP		1	Yes	Yes
02-003	5SNSP0011804	CAP COVER FRONT	1	1	Yes	Yes
02-004	5SNSP0011805	CAP COVER REAR	1	1	Yes	Yes
02-005	5SNSP0011806	COVER CASTER	1	1	Yes	Yes
02-006	5SNSP0011807	COVER FRONT	1	1	Yes	Yes
02-007	5SNSP0011808	COVER LOWER FRONT	1	1	Yes	Yes
02-008	5SNSP0011809	COVER LOWER REAR	1	1	Yes	Yes
02-009	5SNSP0011810	COVER REAR		1	Yes	Yes
02-010	5SNSP0012287	SCREW RS M4X8		10	Yes	Yes
02-011	5SNSP0011961	PHOTO-INTERRUPTER		1	Yes	Yes
03-002	5SNSP0011854	SPRING LEAF		1	Yes	Yes
03-003	5SNSP0011855	MOUNT SLIDE		1	Yes	Yes
03-004	5SNSP0011856	HOLDER SENSOR		1	Yes	Yes
03-005	5SNSP0011857	HOLDER		1	Yes	Yes
03-006	5SNSP0011858	MOUNT SENSOR		1	Yes	Yes
03-007	5SNSP0011859	SPRING LEAF		2	Yes	Yes
03-008	5SNSP0011860	SPRING LEAF		1	Yes	Yes
03-009	5SNSP0011861	SPRING COMPRESSION		1	Yes	Yes
03-010	5SNSP0011862	BRACKET		1	Yes	Yes
03-011	5SNSP0011863	SCREW		2	Yes	Yes
03-012	5SNSP0011864	DUCT SENSOR		1	Yes	Yes
03-013	5SNSP0011865	SENSOR	1	1	Yes	Yes
03-014	5SNSP0011866	MICRO-SWITCH	1	2	Yes	Yes
03-015	5SNSP0011867	CABLE SWITCH		1	Yes	Yes
03-016	5SNSP0011868	CLIP CABLE		8	Yes	Yes
03-017	5SNSP0011869	CLIP CABLE		4	Yes	Yes
03-018	5SNSP0011870	CLAMP		3	Yes	Yes
03-019	5SNSP0011824	PHOTO-INTERRUPTER	1	2	Yes	Yes
03-020	5SNSP0011873	PLATE SHAFT		1	Yes	Yes
03-021	5SNSP0011874	CABLE POWER		1	Yes	Yes
03-022	5SNSP0011875	CABLE SENSOR		1	Yes	Yes
03-023	5SNSP0011876	CONNECTOR 2P		1	Yes	Yes
03-024	5SNSP0011877	CONNECTOR SNAP-TIGHT		1	Yes	Yes
03-025	5SNSP0011878	CABLE SENSOR		1	Yes	Yes
03-026	5SNSP0011879	CONNECTOR SNAP-TIGHT		2	Yes	Yes
03-027	5SNSP0011880	MICRO-SWITCH	1	1	Yes	Yes
03-028	5SNSP0011881	MICRO-SWITCH	1	1	Yes	Yes

REF.NO	PART CODE	DESCRIPTION	ISP	USED	DF-30	DF-31
					KCCS	KCCS
03-029	5SNSP0011824	PHOTO-INTERRUPTER		1	Yes	Yes
03-030	5SNSP0011883	CLIP CABLE		2	Yes	Yes
03-031	5SNSP0011884	CLIP CABLE		1	Yes	Yes
03-032	5SNSP0011887	PLATE GEAR		1	Yes	No
03-032	5SNSP0012836	PLATE GEAR		1	No	Yes
03-033	5SNSP0011888	GUIDE CABLE		1	Yes	Yes
03-034	5SNSP0011889	SHAFT ROLLER PF	1	1	Yes	Yes
03-035	5SNSP0011890	SPRING TENSION		1	Yes	Yes
03-036	5SNSP0011891	GEAR 45T/55T		1	Yes	No
03-036	5SNSP0012827	GEAR 45T/55T		1	No	Yes
03-037	5SNSP0011893	SHAFT ROLLER 1	1	1	Yes	No
03-037	5SNSP0012828	SHAFT ROLLER 1	1	1	No	Yes
03-038	5SNSP0011894	SHAFT ROLLER	1	1	Yes	No
03-038	5SNSP0012829	SHAFT ROLLER	1	1	No	Yes
03-039	5SNSP0011895	DEFLECTOR		1	Yes	Yes
03-040	5SNSP0011896	ARM DEFLECTOR		1	Yes	Yes
03-041	5SNSP0011897	BELT TIMING		1	Yes	Yes
03-042	5SNSP0011898	HOOK		1	Yes	Yes
03-043	5SNSP0011899	ARM REVERSE		1	Yes	Yes
03-044	5SNSP0011900	PLATE GROUNDING		1	Yes	Yes
03-045	5SNSP0011901	GUIDE CENTER		1	Yes	Yes
03-046	5SNSP0011902	COVER SWITCH		1	Yes	Yes
03-047	5SNSP0011903	FLAG SENSOR		1	Yes	Yes
03-048	5SNSP0011904	MOUNT SENSOR		1	Yes	Yes
03-049	5SNSP0011907	GEAR 20T/42T		1	Yes	Yes
03-050	5SNSP0011908	GEAR 24T/36T		1	Yes	No
03-050	5SNSP0012830	GEAR 20T/34T		1	No	Yes
03-051	5SNSP0011909	GEAR 17T/27T		1	Yes	No
03-051	5SNSP0012831	GEAR 21T/27T		1	No	Yes
03-052	5SNSP0011910	GEAR 17T/23T		1	Yes	No
03-052	5SNSP0012832	GEAR 19T		1	No	Yes
03-053	5SNSP0011911	GEAR 16T/36T		1	Yes	No
03-053	5SNSP0012833	GEAR 20T/34T		1	No	Yes
03-054	5SNSP0011912	GEAR 18T/24T		1	Yes	Yes
03-055	5SNSP0011913	GEAR 26T		1	Yes	Yes
03-056	5SNSP0011914	GEAR 28T		1	Yes	No
03-056	5SNSP0012837	GEAR 28T		1	No	Yes
03-057	5SNSP0011915	GEAR 23T		1	Yes	No
03-057	5SNSP0012834	GEAR29T		1	No	Yes
03-058	5SNSP0011916	GEAR 18T		1	Yes	Yes
03-059	5SNSP0011917	GEAR 20T		1	Yes	Yes
03-060	5SNSP0011918	SPRING TENSION		1	Yes	Yes
03-061	5SNSP0011919	SPRING TENSION		1	Yes	No
03-061	5SNSP0012835	SPRING TENSION		1	No	Yes
03-062	5SNSP0011920	SPRING TORSION		1	Yes	Yes
03-063	5SNSP0011921	GEAR 27/PULLEY 48T		1	Yes	Yes
03-064	5SNSP0011922	GEAR 30T		1	Yes	Yes
03-064	5SNSP0012838	GEAR 26T		1	No	
03-066	5SNSP0011925	SOLENOID		1	Yes	Yes

REF.NO	PART CODE	DESCRIPTION	ISP	USED	DF-30	DF-31
					KCCS	KCCS
03-067	5SNSP0011927	COLLAR SPRING		2	Yes	Yes
03-068	5SNSP0011928	BUSHING		5	Yes	Yes
03-069	5SNSP0012287	SCREW RS M4X8		39	Yes	Yes
03-070	5SNSP0011930	CLIP CABLE		3	Yes	Yes
03-071	5SNSP0011931	CLIP CABLE		4	Yes	Yes
03-072	5SNSP0011938	CLIP CABLE		1	Yes	Yes
03-073	5SNSP0011940	FRONT SIDE PLATE		1	Yes	No
03-073	5SNSP0012840	FRONT SIDE PLATE		1	No	Yes
03-074	5SNSP0012300	CENTER REINFORCEMENT		1	Yes	Yes
03-075	5SNSP0012842	PLATE ROLER REVERSE		1	No	Yes
03-076	5SNSP0012843	HOLDER PARALLELE		1	No	Yes
03-077	5SNSP0012844	TORQUE LIMII		1	No	Yes
04-002	5SNSP0011942	BELT		2	Yes	Yes
04-003	5SNSP0011943	GEAR 15T/32T		1	Yes	Yes
04-004	5SNSP0011944	CLIP CABLE		1	Yes	Yes
04-005	5SNSP0011945	COVER CABLE		1	Yes	Yes
04-006	5SNSP0011948	CABLE SENSOR		1	Yes	Yes
04-007	5SNSP0011824	PHOTO-INTERRUPTER		2	Yes	Yes
04-008	5SNSP0011962	CABLE SWING UNIT		1	Yes	Yes
04-011	5SNSP0011966	BUSHING		1	Yes	Yes
04-012	5SNSP0011967	CLIP CABLE		2	Yes	Yes
04-B04	5MBWK62953NN	POLY SLIDER		1	Yes	Yes
05-001	5SNSADF30E05	TRAY DRIVE ASSY	1	1	Yes	Yes
05-013	5SNSP0011824	PHOTO-INTERRUPTER		1	Yes	Yes
05-014	5SNSP0012310	CABLE MAIN		1	Yes	Yes
05-015	5SNSP0012311	FERRITE CORE		1	Yes	Yes
05-016	5SNSP0012312	CLAMP CABLE		1	Yes	Yes
06-002	5SNSP0011981	GUIDE SLIDE A		2	Yes	Yes
06-003	5SNSP0011982	GUIDE SLIDE B		1	Yes	Yes
06-004	5SNSP0011983	CROSSMEMBER TRAY		3	Yes	Yes
06-005	5SNSP0011984	FRAME TRAY FRONT		1	Yes	Yes
06-006	5SNSP0011985	FRAME TRAY REAR		1	Yes	Yes
06-007	5SNSP0011986	ROLLER		4	Yes	Yes
06-008	5SNSP0011987	ROLLER		2	Yes	Yes
06-009	5SNSP0011988	PLATE GUIDE		1	Yes	Yes
07-003	5SNSP0011990	LEVER SWING		1	Yes	Yes
07-004	5SNSP0011991	SPRING RETAINER		1	Yes	Yes
07-005	5SNSP0011992	HOLDER ROLLER		2	Yes	Yes
07-006	5SNSP0011993	SHAFT		1	Yes	Yes
07-007	5SNSP0011994	SHAFT ROLLER		1	Yes	Yes
07-008	5SNSP0012007	GEAR 21T		1	Yes	Yes
07-009	5SNSP0012008	GEAR 21T		1	Yes	Yes
07-010	5SNSP0012009	ROLLER		2	Yes	Yes
07-011	5SNSP0012010	ROLLER		2	Yes	Yes
07-012	5SNSP0012011	SPRING COMPRESION		1	Yes	Yes
07-013	5SNSP0012012	SPRING TENSION		1	Yes	Yes
07-014	5SNSP0012013	SPRING TENSION		1	Yes	Yes
07-015	5SNSP0012014	BUSHING		2	Yes	Yes
07-016	5SNSP0012015	SOLENOID	1	1	Yes	Yes

REF.NO	PART CODE	DESCRIPTION	ISP	USED	DF-30	DF-31
					KCCS	KCCS
07-017	5SNSP0012016	COLLAR SPRING		1	Yes	Yes
07-018	5SNSP0012319	SPRING COMPRESSION		1	Yes	Yes
08-002	5SNSP0012017	SHAFT DELIVERY ROL.	1	1	Yes	Yes
08-003	5SNSP0012018	LINK SHUTTER A		1	Yes	Yes
08-004	5SNSP0012019	LINK SHUTTER		1	Yes	Yes
08-005	5SNSP0012020	PLATE		1	Yes	Yes
08-006	5SNSP0012021	SHUTTER		1	Yes	Yes
08-007	5SNSP0012022	LEVER SHUTTER		1	Yes	Yes
08-008	5SNSP0012023	LEVER SENSOR		1	Yes	Yes
08-009	5SNSP0012024	PLATE GEAR		1	Yes	Yes
08-010	5SNSP0012025	LEVER STOP FRONT		1	Yes	Yes
08-011	5SNSP0012026	LEVER STOP REAR		1	Yes	Yes
08-012	5SNSP0012027	PLATE SUPPORT FRONT		1	Yes	Yes
08-013	5SNSP0012028	PLATE SUPPORT REAR		1	Yes	Yes
08-014	5SNSP0012029	CROSSBAR STOP		1	Yes	Yes
08-015	5SNSP0012030	LINK		2	Yes	Yes
08-016	5SNSP0012032	MOUNT SENSOR		1	Yes	Yes
08-017	5SNSP0012035	GEAR 15T/23T		1	Yes	Yes
08-018	5SNSP0012037	GEAR 15T		1	Yes	Yes
08-019	5SNSP0012038	GEAR 50T		1	Yes	Yes
08-020	5SNSP0012039	GEAR 12T/36T		1	Yes	Yes
08-021	5SNSP0012040	SPRING TORSION		1	Yes	Yes
08-022	5SNSP0012041	SPRING TORSION		1	Yes	Yes
08-023	5SNSP0012042	SPRING TORSION		1	Yes	Yes
08-024	5SNSP0012046	CLIP CABLE		1	Yes	Yes
08-025	5SNSP0012047	SOLENOID	1	1	Yes	Yes
08-026	5SNSP0012048	MOTOR DC24V	1	1	Yes	Yes
08-027	5SNSP0012049	STOP FRONT		1	Yes	Yes
08-028	5SNSP0012050	STOP REAR		1	Yes	Yes
08-029	5SNSP0012051	PHOTO-INTERRUPTER	1	1	Yes	Yes
08-030	5SNSP0012052	SPRING TENSION		2	Yes	Yes
08-031	5SNSP0012059	RING RETAINING		1	Yes	Yes
08-032	5SNSP0012060	BUSHING		1	Yes	Yes
08-033	5SNSP0012061	BUSHING		1	Yes	Yes
08-034	5SNSP0012062	WASHER		1	Yes	Yes
08-035	5SNSP0012063	SCREW		2	Yes	Yes
08-036	5SNSP0012064	SPRING		1	Yes	Yes
08-038	5SNSP0012067	CLIP CABLE		4	Yes	Yes
08-039	5SNSP0012287	SCREW RS M4X8		3	Yes	Yes
09-002	5SNSP0012068	ROLLER A		4	Yes	Yes
09-003	5SNSP0012069	ROLLER B		2	Yes	Yes
09-004	5SNSP0012070	ROLLER C		2	Yes	Yes
09-005	5SNSP0012071	SPRING TORSION		4	Yes	Yes
09-006	5SNSP0012075	SPRING ROLLER		4	Yes	Yes
10-002	5SNSP0012068	ROLLER A		4	Yes	Yes
10-003	5SNSP0012071	SPRING TORSION		4	Yes	Yes
10-004	5SNSP0012079	SHAFT STAPLER ROLLER	1	1	Yes	Yes
10-005	5SNSP0012080	GEAR 20T		1	Yes	Yes
10-006	5SNSP0012081	GEAR 16T		1	Yes	Yes

REF.NO	PART CODE	DESCRIPTION	ISP	USED	DF-30	DF-31
					KCCS	KCCS
10-007	5SNSP0012082	BUSHING		2	Yes	Yes
11-001	5SNSADF30E11	STAPLER ASSY	1	1	Yes	Yes
11-002	5SNSP0012083	GUIDE STAPLER		1	Yes	Yes
11-003	5SNSP0012084	PLATE RACK		1	Yes	Yes
11-004	5SNSP0012085	PLATE GUIDE		1	Yes	Yes
11-005	5SNSP0012086	COVER SENSOR		1	Yes	Yes
11-006	5SNSP0012087	BELT TIMING		1	Yes	Yes
11-007	5SNSP0012088	CAM STOP		1	Yes	Yes
11-008	5SNSP0012089	COVER PCB		1	Yes	Yes
11-009	5SNSP0012090	SCREW STEPPED M3		4	Yes	Yes
11-010	5SNSP0012091	GEAR 44T/PULLEY 16T		1	Yes	Yes
11-011	5SNSP0012092	GEAR 16T/PULLEY 40T		1	Yes	Yes
11-012	5SNSP0012093	ROLLER		2	Yes	Yes
11-013	5SNSP0012094	ROLLER		1	Yes	Yes
11-014	5SNSP0012095	FLANGE PULLEY		1	Yes	Yes
11-015	5SNSP0012096	CATCH MAGNET		1	Yes	Yes
11-016	5SNSP0012097	MOTOR STEPPING	1	1	Yes	Yes
11-017	5SNSP0012098	CABLE STAPLER		1	Yes	Yes
11-018	5SNSP0012099	CABLE STAPLER		1	Yes	Yes
11-019	5SNSP0012100	CONNECTOR 3P		1	Yes	Yes
11-020	5SNSP0011952	SCREW RS M3X6		6	Yes	Yes
11-021	5SNSP0011824	PHOTO-INTERRUPTER		1	Yes	Yes
11-022	5SNSP0012102	TWO-STEP SCREW M3		2	Yes	Yes
11-023	5SNSP0012103	MOUNT STAPLER		1	Yes	Yes
11-024	5SNSP0012104	BRACKET STAPLE		1	Yes	Yes
11-025	5SNSP0012105	CLAMP CABLE		2	Yes	Yes
11-026	5SNSP0012106	GROMMET CORD		1	Yes	Yes
11-027	5SNSP0012107	CONNECTOR 9P		1	Yes	Yes
11-028	5SNSP0012109	CONNECTOR PCB		1	Yes	Yes
11-029	5SNSP0012287	SCREW RS M4X8		1	Yes	Yes
11-030	5SNSP0012114	MOUNT		1	Yes	Yes
11-031	5SNSP0012115	ROLLER		2	Yes	Yes
11-032	5SNSP0012116	CLAMP CABLE		1	Yes	Yes
12-002	5SNSP0012117	FINISHER DR PCB ASSY	1	1	Yes	No
12-002	5SNSP0012848	FINISHER DRIVER PCB ASSY	1	1	No	Yes
12-003	5SNSP0012118	SWITCH PCB ASSY	1	1	Yes	Yes
12-004	5SNSP0012119	CONNECTOR PCB ASSY	1	1	Yes	Yes
12-005	5SNSP0012120	CONNECTOR PCB ASSY	1	1	Yes	Yes
12-006	5SNSP0012078	INTER-FACE PCB ASSY	1	1	Yes	Yes
13-001	5SNSADF30E13	TRAY ASSY	1	3	Yes	Yes
14-001	5SNSADF30E14	LATCH FRONT ASSY	1	1	Yes	Yes
15-001	5SNSADF30E15	LATCH REAR ASSY	1	1	Yes	Yes
16-001	5SNSADF30E16	COVER DOOR	1	1	Yes	Yes
17-002	5SNSP0012285	WASHER		2	Yes	Yes
17-003	5SNSP0011812	SPRING COMPRESSION		2	Yes	Yes
17-004	5SNSP0011813	SPRING TORSION		1	Yes	Yes
17-005	5SNSP0011814	LATCH		1	Yes	Yes
17-006	5SNSP0011815	PIECE PRESSURE		2	Yes	Yes
17-007	5SNSP0011847	TOP DOOR	1	1	Yes	Yes

REF.NO	PART CODE	DESCRIPTION	ISP	USED	DF-30	DF-31
					KCCS	KCCS
18-001	5SNSADF30E18	TOP COVER ASSY	1	1	Yes	Yes
19-001	5SNSADF30E19	PLATE SHUTTER		1	Yes	Yes
19-006	5SNSP0012292	CLAMP CABLE		1	Yes	Yes
20-002	5SNSP0011826	GUIDE SLIDE		1	Yes	Yes
20-003	5SNSP0011827	COVER SLIDE		1	Yes	Yes
20-004	5SNSP0011833	COVER SLIDE REAR		1	Yes	Yes
21-002	5SNSP0011834	ROLLER A		1	Yes	Yes
21-003	5SNSP0011835	HINGE	1	1	Yes	Yes
21-004	5SNSP0011836	LATCH		1	Yes	Yes
21-005	5SNSP0011837	RIGHT GUIDE	1	1	Yes	Yes
21-006	5SNSP0011838	SPRING TORSION		1	Yes	Yes
21-007	5SNSP0011839	SPRING TORSION		2	Yes	Yes
21-008	5SNSP0011840	SPRING TORSION		2	Yes	Yes
22-002	5SNSP0011844	FLAG SENSOR		1	Yes	Yes
22-003	5SNSP0011845	SPRING TENSION		1	Yes	Yes
23-002	5SNSP0011818	SHUTTER HURDLE		1	No	No
23-002	5SNSP0013259	SHUTTER HURDLE		1	Yes	Yes
23-003	5SNSP0011819	SPRING LEAF		1	Yes	Yes
23-004	5SNSP0011822	GUIDE HURDLE LOWER		1	No	No
23-004	5SNSP0013258	GUIDE HURDLE LOWER		1	Yes	Yes
23-005	5SNSP0011823	PLATE HURDLE		2	Yes	Yes
23-006	5SNSP0012286	CABLE		1	Yes	Yes
23-007	5SNSP0011824	PHOTO-INTERRUPTER		1	Yes	Yes
23-008	5SNSP0011825	PLATE HURDLE 2		2	Yes	Yes
23-009	5SNSP0011841	SPRING LEAF		2	Yes	Yes
23-010	5SNSP0011842	PLATE		1	Yes	Yes
23-011	5SNSP0012845	WASHER PLATE		2	Yes	Yes
23-012	5SNSP0012846	SHEET HURDLE A		4	Yes	Yes
23-013	5SNSP0012847	SHEET HURDLE B		2	Yes	Yes
24-001	5SNSADF30E24	UNIT BOTTOM FRAME F		1	Yes	Yes
24-002	5SNSP0011885	CASTER	1	1	Yes	Yes
24-004	5SNSP0011936	CASTER	1	1	Yes	Yes
24-005	5SNSP0011937	BOLT		1	Yes	Yes
24-005	5SNSP0012295	SCREW		1	Yes	Yes
24-006	5SNSP0012295	SCREW		1	Yes	Yes
24-007	5SNSP0012301	BOTTOM FRAME FRONT		1	Yes	Yes
25-001	5SNSADF30E25	UNIT BOTTOM FRAME R		1	Yes	Yes
26-001	5SNSADF30E26	UNIT BOTTOM FRAME S		1	Yes	Yes
26-002	5SNSP0011934	ADJUSTER		1	Yes	Yes
26-003	5SNSP0011935	FLAME SUB		1	Yes	Yes
27-002	5SNSP0012296	FRONT SUPPORT		1	Yes	Yes
27-003	5SNSP0012297	REAR SUPPORT		1	Yes	Yes
27-005	5SNSP0011886	MOUNT RAIL		1	Yes	Yes
27-006	5SNSP0011932	STOPPER F		1	Yes	Yes
27-007	5SNSP0012298	BOTTOM SUPPORT		1	Yes	Yes
27-008	5SNSP0012299	GUIDE REINFORCEMENT		1	Yes	Yes
27-009	5SNSP0011933	STOPPER R		1	Yes	Yes
27-010	5SNSP0011872	HINGE DOOR		1	Yes	Yes
28-001	5SNSADF30E28	UNIT GUIDE REVERSE		1	Yes	Yes

REF.NO	PART CODE	DESCRIPTION	ISP	USED	DF-30	DF-31
					KCCS	KCCS
28-002	5SNSP0011924	GUIDE REVERSE		1	Yes	Yes
28-003	5SNSP0011929	COVER SPRING		4	Yes	Yes
29-001	5SNSADF30E29	UNIT PLATE REAR		1	Yes	No
29-001	5SNSADF31E03	UNIT PLATE REAR		1	No	Yes
29-002	5SNSP0011939	REAR SIDE PLATE		1	Yes	No
29-002	5SNSP0012839	REAR SIDE PLATE		1	No	Yes
29-003	5SNSP0011923	MOTOR STEPPING DC24V	1	1	Yes	Yes
29-004	5SNSP0011892	SOLENOID	1	1	Yes	Yes
30-001	5SNSADF30E30	UNIT POWER		1	Yes	Yes
30-002	5SNSP0011853	SWITCHG REGULATOR	1	1	Yes	Yes
30-003	5SNSP0011926	COVER PS ASSY		1	Yes	Yes
32-001	5SNSADF30E32	GUIDE BELT		2	Yes	Yes
33-001	5SNSADF30E33	MICROSWITCH UNIT		1	Yes	Yes
33-002	5SNSP0011946	PLATE SWING		1	Yes	Yes
33-003	5SNSP0011947	CABLE SENSOR		1	Yes	Yes
34-001	5SNSADF30E34	UNIT ROLLER	1	1	Yes	Yes
34-002	5SNSP0011956	ROLLER DELIVERY		1	Yes	Yes
34-003	5SNSP0011957	CAM SHUTTER		1	Yes	Yes
34-004	5SNSP0011958	GEAR 22T		1	Yes	Yes
34-005	5SNSP0011959	GEAR 18T		1	Yes	Yes
34-006	5SNSP0011960	BUSHING		1	Yes	Yes
35-001	5SNSADF30E35	UNIT GUIDE STAPLE		1	Yes	Yes
35-002	5SNSP0011941	ROLLER		4	Yes	Yes
36-001	5SNSADF30E36	ARM STOP REAR		1	Yes	Yes
37-001	5SNSADF30E37	ARM STOP REAR		1	Yes	Yes
38-001	5SNSADF30E38	PLATE DRIVE		1	Yes	Yes
39-001	5SNSADF30E39	GUIDE SWING		1	Yes	Yes
40-001	5SNSADF30E40	PLATE		2	Yes	Yes
41-001	5SNSADF30E41	SHAFT		2	Yes	Yes
42-001	5SNSADF30E42	TRAY STAPLER		1	Yes	Yes
43-001	5SNSADF30E43	SPRING LEAF		1	Yes	Yes
44-001	5SNSADF30E44	PLATE		1	Yes	Yes
45-001	5SNSADF30E45	LEVER SWING		1	Yes	Yes
46-001	5SNSADF30E46	UNIT LEVER SWING		1	Yes	Yes
46-002	5SNSP0012036	GEAR 15T/34T		1	Yes	Yes
46-003	5SNSP0012031	WASHER		1	Yes	Yes
46-004	5SNSP0012033	SPRING LEAF		1	Yes	Yes
46-005	5SNSP0012065	SLIDER		1	Yes	Yes
47-001	5SNSADF30E47	UNIT MOUNT MOTER		1	Yes	Yes
47-002	5SNSP0012055	MOUNT MOTOR		1	Yes	Yes
47-003	5SNSP0012056	CLIP CABLE		1	Yes	Yes
47-004	5SNSP0012057	MOTOR STEPPING	1	1	Yes	Yes
47-005	5SNSP0011824	PHOTO-INTERRUPTER		1	Yes	Yes
48-001	5SNSADF30E48	GUIDE UPPER	1	1	Yes	Yes
49-001	5SNSADF30E49	GUIDE CENTER	1	1	No	No
49-001	5SNSADF30E55	GUIDE CENTER	1	1	Yes	Yes
50-001	5SNSADF30E50	UNIT STAPLER	1	1	Yes	Yes
50-007	5SNSP0012280	CARTRIDGE STAPLE		1	Yes	Yes
51-001	5SNSADF30E51	UNIT RAIL	1	1	Yes	Yes

REF.NO	PART CODE	DESCRIPTION	ISP	USED	DF-30	DF-31
					KCCS	KCCS
51-003	5SNSP0011795	SCREW STEPPED M4	1	1	Yes	Yes
52-001	5SNSADF30E52	GUIDE PAPER FEED		1	Yes	Yes
53-001	5AAKDF30MT01	PACKING ASSY		1	No	No
53-001	5SNSADF30E53	PACKING ASSY		1	No	No
53-001	5SNSADF30J02	PACKING ASSY		1	Yes	No
53-001	5SNSADF31E04	PACKING ASSY		1	No	No
53-001	5SNSADF31J01	PACKING ASSY		1	No	Yes