



---

FS-1000+  
Ecosys Printer [12 ppm]  
Parts Catalog

# Contents

## **Diagrams**

**ENCLOSURES > page 3**

**FRAME > page 4**

**DEVELOPER > page 5**

**DRIVE-UNIT > page 6**

**UPPER-FRAME > page 7**

**FUSER UNIT > page 8**

**PAPER CASSETTE > page 9**

**OPTION FEEDER, PAPER CASSETTE > page 10**

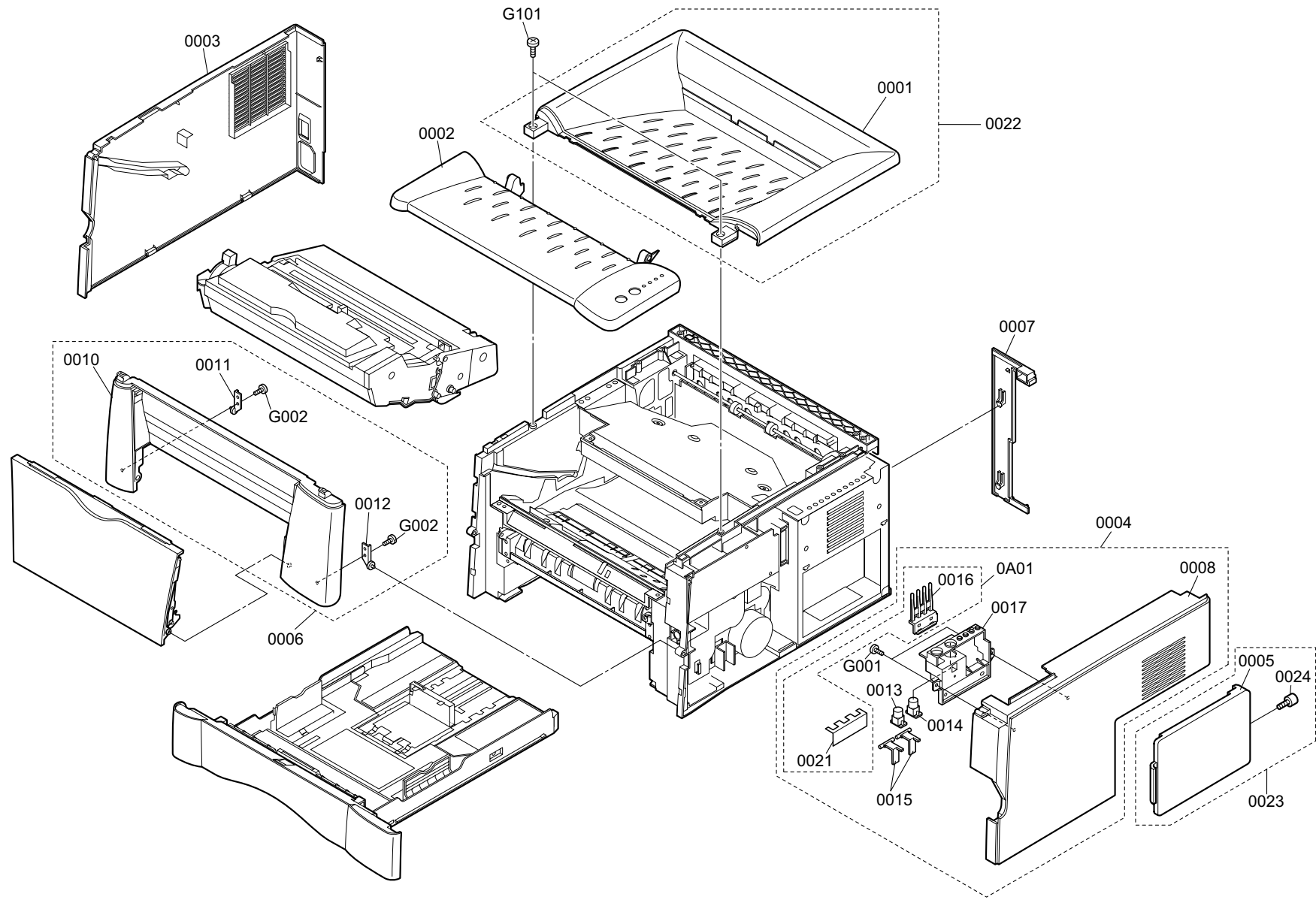
**OPTION FEEDER > page 11**

**Parts Catalog > pages 12 to 17**

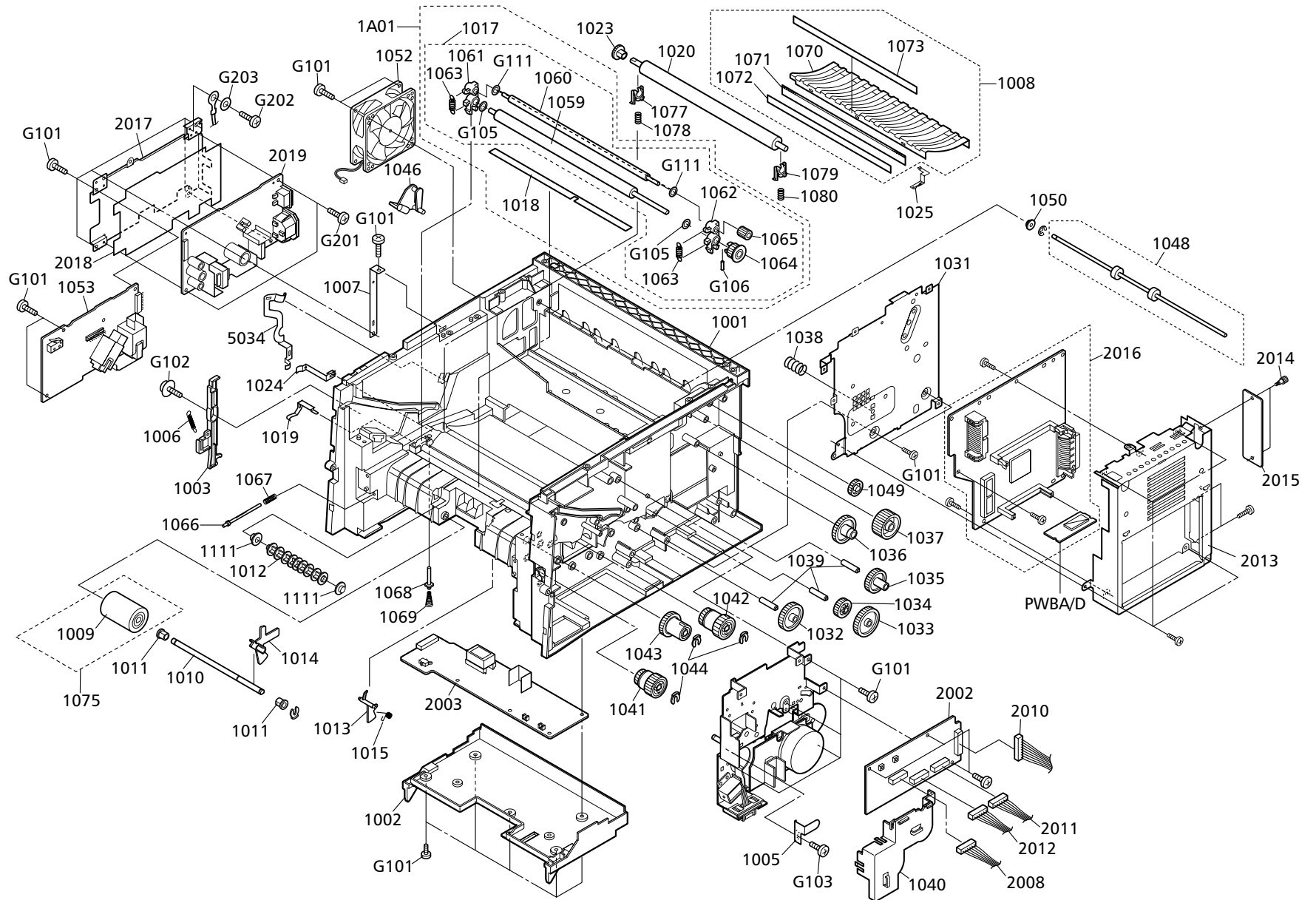
A latest version of this catalog is readily available at the Kyocera ftp site. Please contact Kyocera Mita in this regard.

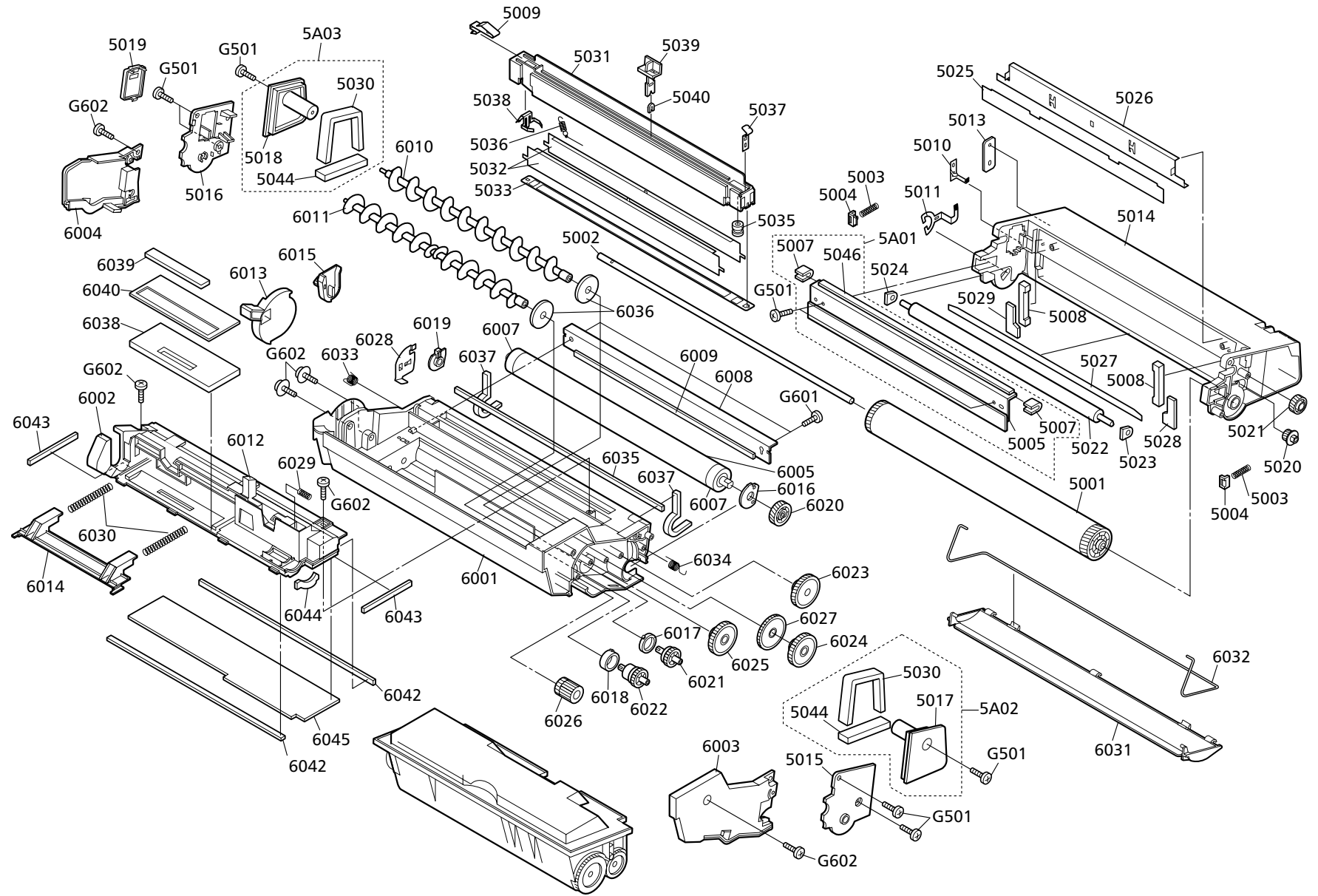
For additional information and downloads, please visit <http://www.kyocera.com/w2k>.

# ENCLOSURES

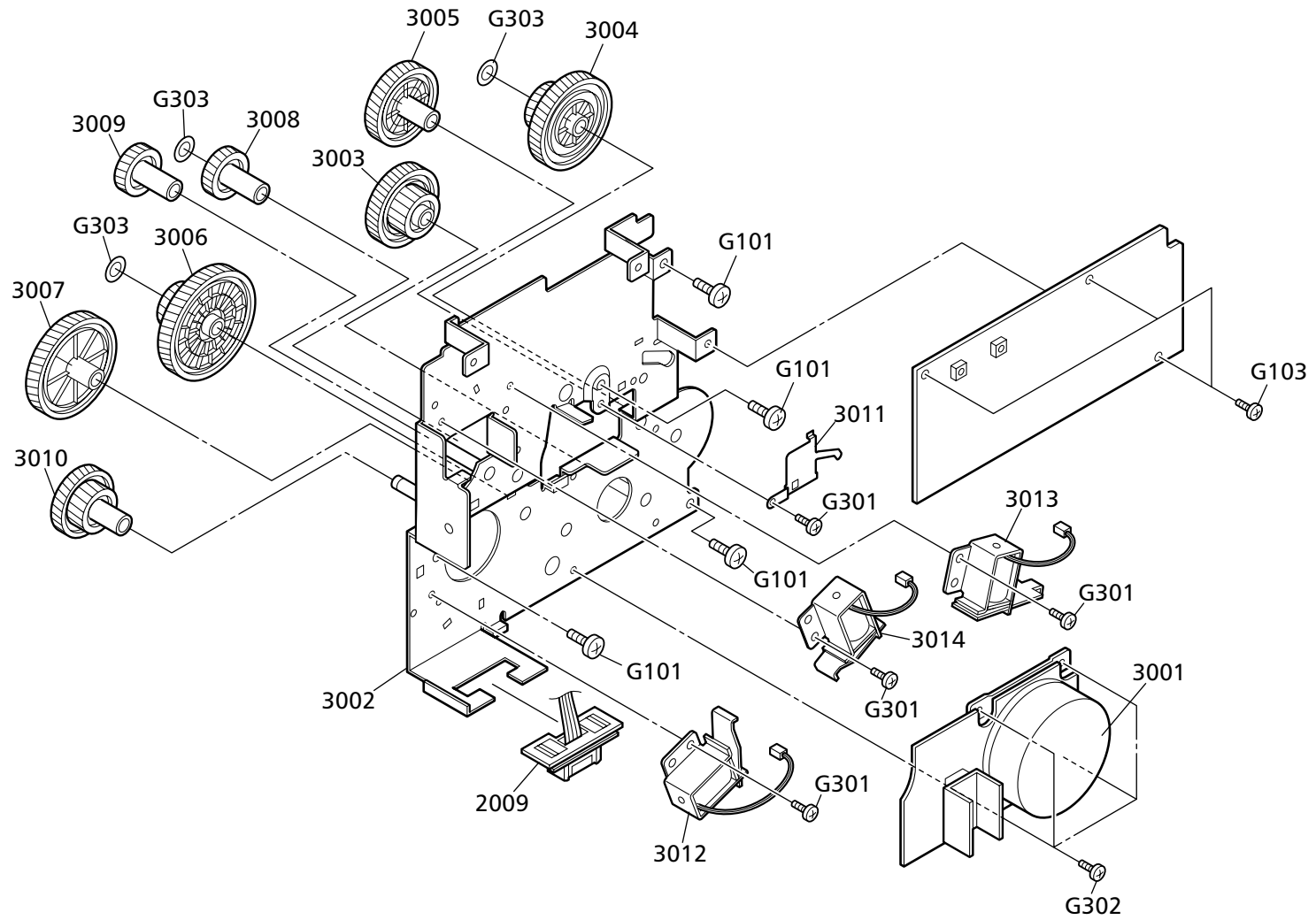


FRAME

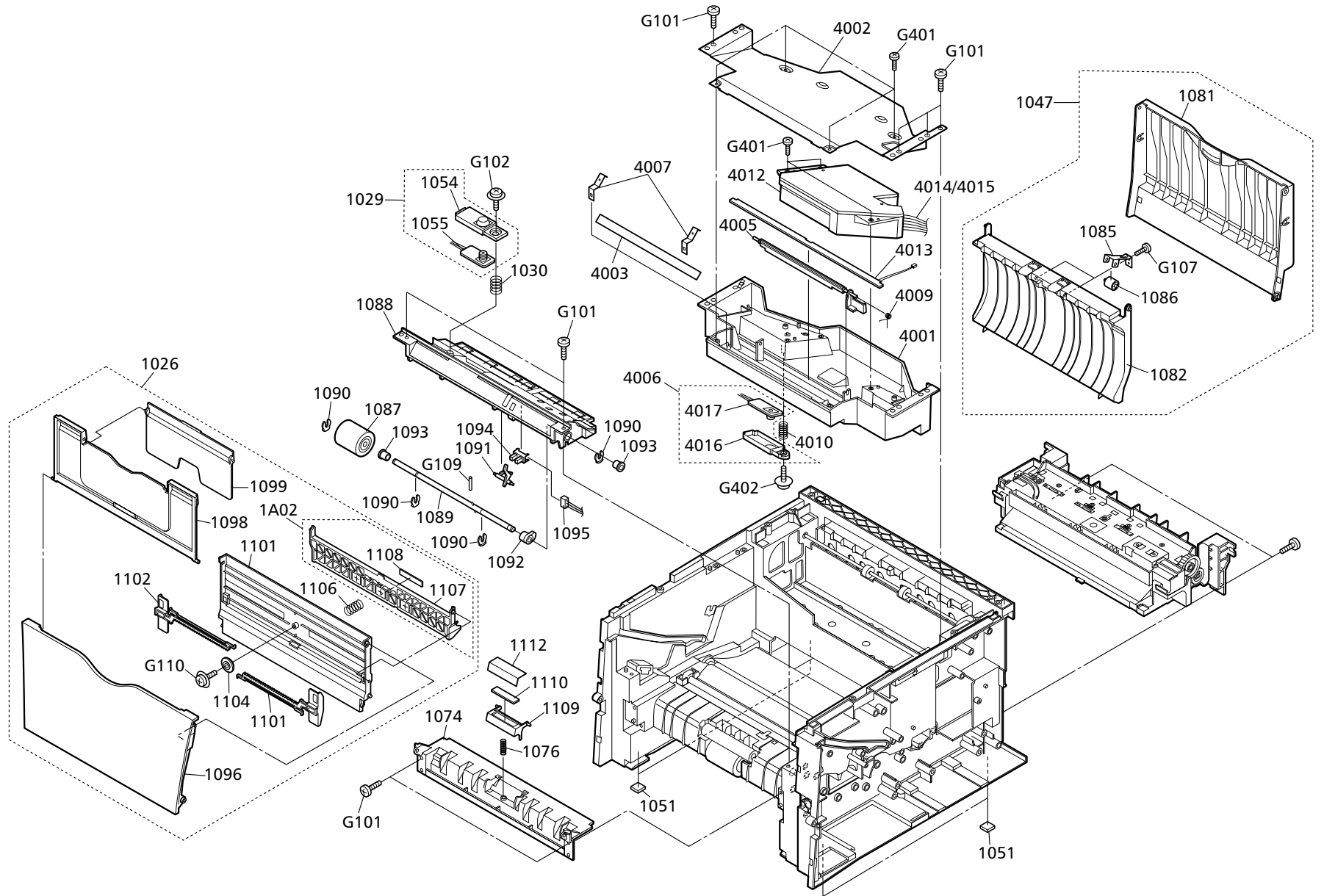




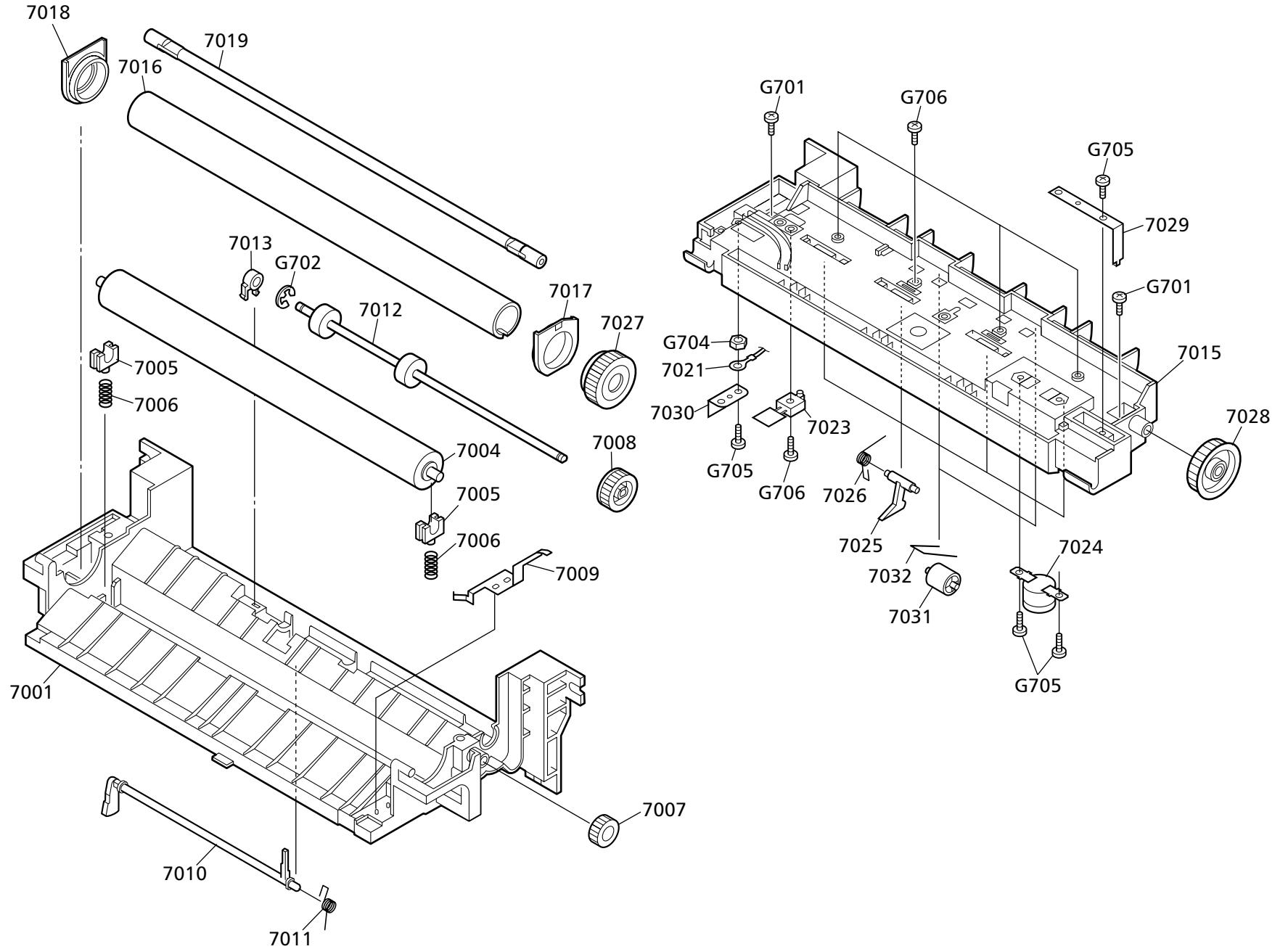
# DRIVE-UNIT



# UPPER-FRAME

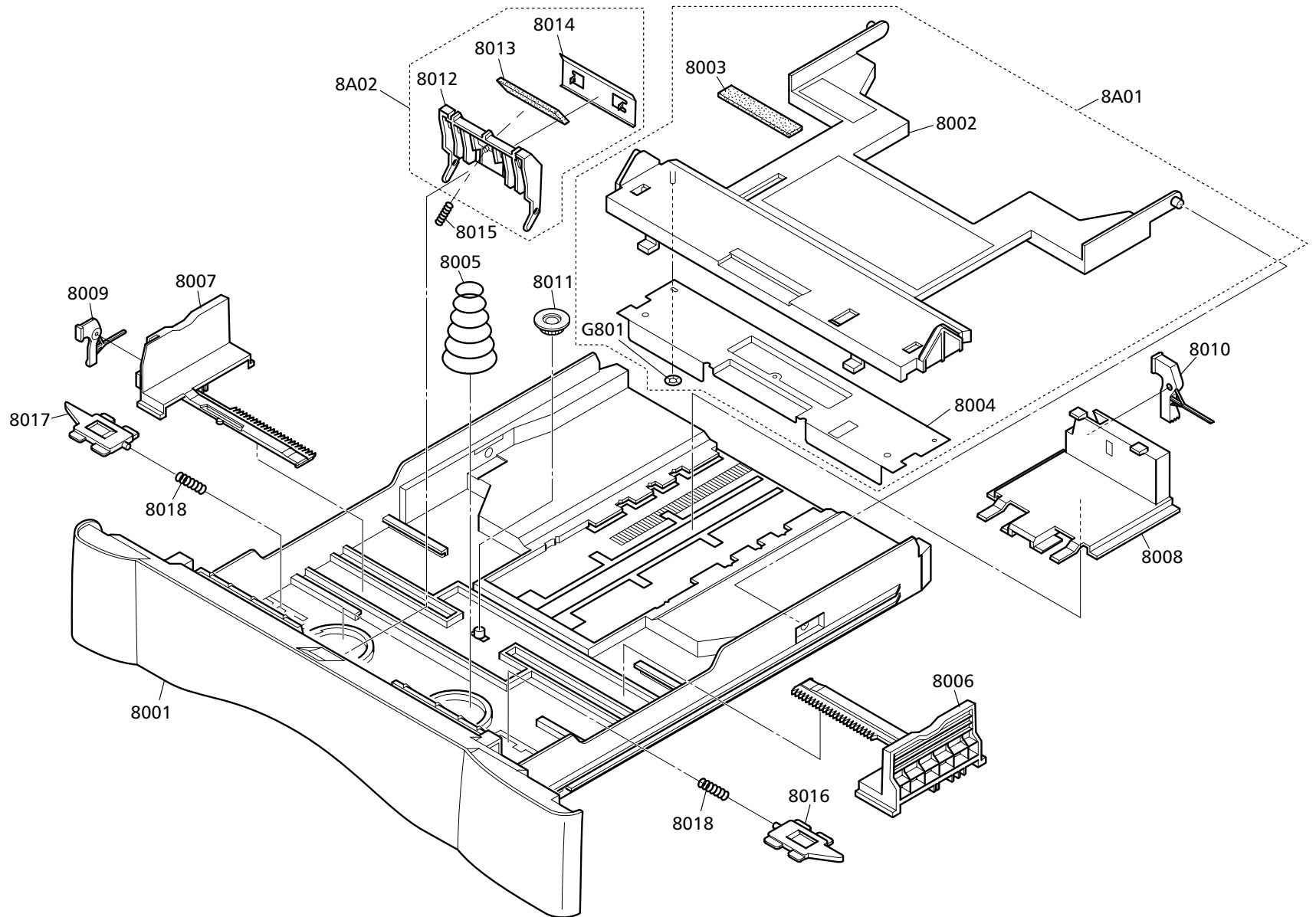


# FUSER UNIT

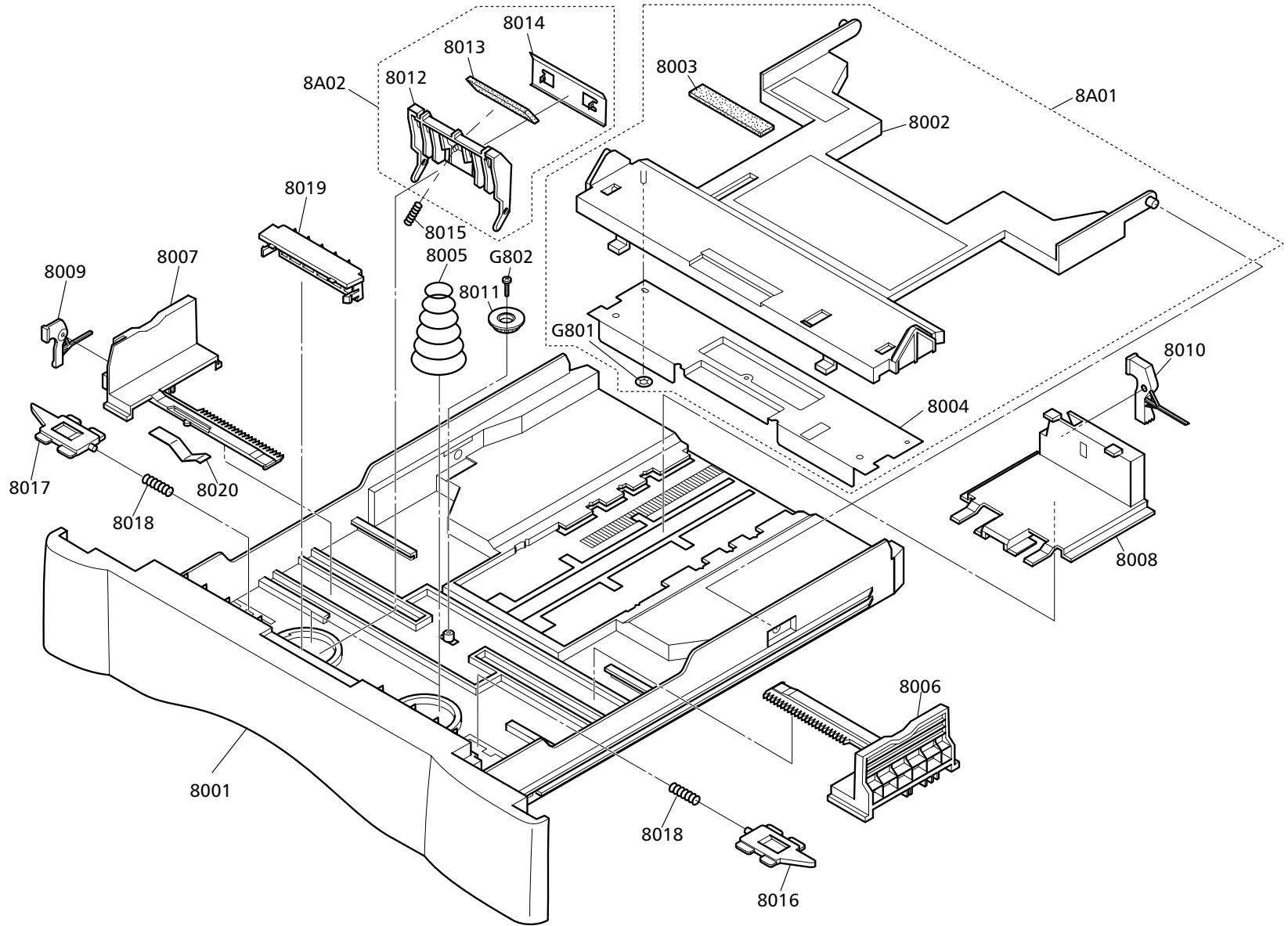




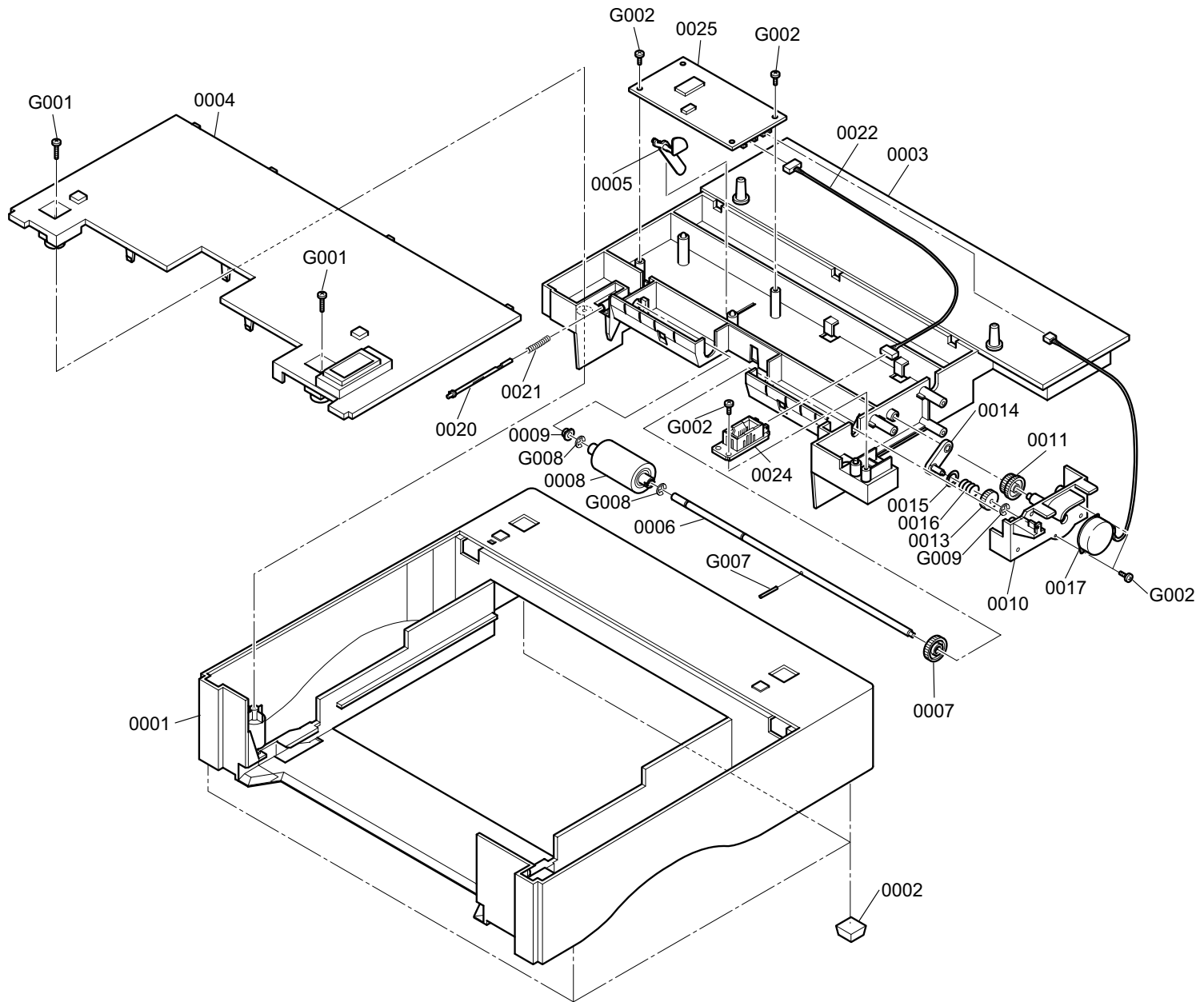
# PAPER CASSETTE



# OPTION FEEDER, PAPER CASSETTE



# OPTION FEEDER



## Parts Catalog: Ecosys Printer FS-1000+

Ref.	Part Code	Description	ISP	Used	KMC	KMA	KMDE	KMUK	KMFR	KMIT	KMAUS	KMSG	KMHG	TWN	PHN	CHP
	5PLPXU2AEKX	PU-40 PROCESS UNIT	1	1	Yes	Yes	Yes	Yes	Yes	Yes	Yes	Yes	Yes	Yes	Yes	No
	5PLPXCDACKN	PU-41K PROCESS UNIT	1	1	No	No	No	No	No	No	No	No	No	No	No	Yes
	5PLPXU3AEKX	FK-40 FUSER UNIT (E) 240V	1	1	No	No	No	No	No	No	No	No	No	No	No	No
	5PLPXU4AEKX	FK-40 FUSER UNIT (U) 120V	1	1	No	No	No	No	No	No	No	No	No	No	No	No
	5PLPXCSAJKJ	FK-40 FUSER UNIT (J) 100V	1	1	No	No	No	No	No	No	No	No	No	No	No	No
	5PLPXCWAPKX	FK-41 FUSER UNIT (E) 240V	1	1	No	No	Yes	Yes	Yes	Yes	Yes	Yes	Yes	Yes	No	Yes
	5PLPXCXAAKM	FK-41 FUSER UNIT (U) 120V	1	1	No	Yes	No	No	No	No	No	No	No	No	No	No
	5PLPXGCA0LE	FK-41 FUSER UNIT (TWN) 110V	1	1	No	No	No	No	No	No	No	No	No	No	Yes	No
	5PLPXCYAJKJ	FK-41 FUSER UNIT (J) 100V	1	1	Yes	No	No	No	No	No	No	No	No	No	No	No
	5PLPXT9AEKX	LK-40 SCANNER UNIT	1	1	No	No	No	No	No	No	No	No	No	No	No	No
	5PLPXDAAPKX	LK-41 SCANNER UNIT	1	1	Yes	Yes	Yes	Yes	Yes	Yes	Yes	Yes	Yes	Yes	Yes	Yes
	5PLPXU0AEKX	DR-40 DRIVE UNIT	1	1	No	No	No	No	No	No	No	No	No	No	No	No
	5PLPXCZAPKX	DR-41 DRIVE UNIT	1	1	Yes	Yes	Yes	Yes	Yes	Yes	Yes	Yes	Yes	Yes	Yes	Yes
	5PLPXU5AEKX	MC-40 MCH ASSY	1	1	Yes	Yes	Yes	Yes	Yes	Yes	Yes	Yes	Yes	Yes	Yes	Yes
	5PLPXU6AEKX	PC-40 CASSETTE ASSY A4	1	1	Yes	No	Yes	Yes	Yes	Yes	Yes	Yes	Yes	Yes	Yes	Yes
	5PLPXU7AEKX	PC-40 CASSETTE ASSY LTR	1	1	No	Yes	No	No	No	No	No	No	No	No	No	No
0002	5MVB876CH013	LID TOP	1	1	Yes	Yes	Yes	Yes	Yes	Yes	Yes	Yes	Yes	Yes	Yes	No
0002	5MVB876CH015	LID TOP	1	1	No	No	No	No	No	No	No	No	No	No	No	Yes
0003	5MVB886CH009	COVER LEFT	1	1	Yes	Yes	Yes	Yes	Yes	Yes	Yes	Yes	Yes	Yes	Yes	Yes
0004	5AAY3010E+27	COVER RIGHT ASSY	1	1	Yes	Yes	Yes	Yes	Yes	Yes	Yes	Yes	Yes	Yes	Yes	No
0004	5AAYA87CH+12	COVER RIGHT ASSY	1	1	No	No	No	No	No	No	No	No	No	No	No	Yes
0005	5MVB773CH001	COVER DIMM	1	1	Yes	Yes	Yes	Yes	Yes	Yes	Yes	Yes	Yes	Yes	Yes	Yes
0006	5AAY3010E+28	COVER FRONT ASSY	1	1	No	No	No	No	No	No	No	No	No	No	No	No
0006	5AAYA88E++11	COVER FRONT ASSY	1	1	No	No	Yes	Yes	Yes	Yes	Yes	Yes	Yes	Yes	Yes	No
0006	5AAYA88U++08	COVER FRONT ASSY	1	1	Yes	Yes	No	No	No	No	No	No	No	No	No	No
0006	5AAYA87CH+11	COVER FRONT ASSY	1	1	No	No	No	No	No	No	No	No	No	No	No	Yes
0007	5MVB851SH003	COVER REAR SIDE	1	1	Yes	Yes	Yes	Yes	Yes	Yes	Yes	Yes	Yes	Yes	Yes	Yes
0008	5MVB885CH004	COVER RIGHT	1	1	Yes	Yes	Yes	Yes	Yes	Yes	Yes	Yes	Yes	Yes	Yes	No
0010	5MVB875CH001	COVER FRONT	1	1	No	No	No	No	No	No	No	No	No	No	No	No
0010	5MVB875CH003	COVER FRONT	1	1	Yes	No	Yes	Yes	Yes	Yes	Yes	Yes	Yes	Yes	No	No
0010	5MVB875CH004	COVER FRONT	1	1	Yes	Yes	No	No	No	No	No	No	No	No	Yes	No
0010	5MVB875CH008	COVER FRONT	1	1	No	No	No	No	No	No	No	No	No	No	No	Yes
0011	5MVX422DN005	HINGE FRONT L	1	1	Yes	Yes	Yes	Yes	Yes	Yes	Yes	Yes	Yes	Yes	Yes	Yes
0012	5MVX422DN006	HINDE FRONT R	1	1	Yes	Yes	Yes	Yes	Yes	Yes	Yes	Yes	Yes	Yes	Yes	Yes
0013	5MVX444SH001	BUTTON A	1	1	Yes	Yes	Yes	Yes	Yes	Yes	Yes	Yes	Yes	Yes	Yes	No
0014	5MVX444SH002	BUTTON B	1	1	Yes	Yes	Yes	Yes	Yes	Yes	Yes	Yes	Yes	Yes	Yes	No
	5MVX631SH008	BUTTON	1	1	No	No	No	No	No	No	No	No	No	No	No	Yes
0015	5MVX322SN002	LEVER BUTTON	1	1	Yes	Yes	Yes	Yes	Yes	Yes	Yes	Yes	Yes	Yes	Yes	No
0017	5MVB764SH013	HOLDER PANEL	1	1	Yes	Yes	Yes	Yes	Yes	Yes	Yes	Yes	Yes	Yes	Yes	No
0022	5AAY3010E+46	COVER TOP ASSY	1	1	Yes	Yes	Yes	Yes	Yes	Yes	Yes	Yes	Yes	Yes	Yes	No
0023	5AAY3010E+47	COVER DIMM ASSY	1	1	Yes	Yes	Yes	Yes	Yes	Yes	Yes	Yes	Yes	Yes	Yes	Yes
0024	5MMT263SN012	SCREW OP	1	1	Yes	Yes	Yes	Yes	Yes	Yes	Yes	Yes	Yes	Yes	Yes	Yes

Ref.	Part Code	Description	ISP	Used	KMC	KMA	KMDE	KMUK	KMFR	KMIT	KMAUS	KMSG	KMHG	TWN	PHN	CHP
0024	5MMT263SN012	SCREW OP		2	Yes	Yes	Yes	Yes	Yes	Yes	Yes	Yes	Yes	Yes	Yes	Yes
0026	5MMX761LD002	PLATE SHIELD		1	Yes	Yes	Yes	Yes	Yes	Yes	Yes	Yes	Yes	Yes	Yes	No
0A01	5AAY3010E+51	GUIDE LED KIT		1	Yes	Yes	Yes	Yes	Yes	Yes	Yes	Yes	Yes	Yes	Yes	No
1001	5MVB888CB002	FRAME BASE		1	Yes	Yes	Yes	Yes	Yes	Yes	Yes	Yes	Yes	Yes	Yes	Yes
1002	5MVB874CH002	COVER PWB		1	Yes	Yes	Yes	Yes	Yes	Yes	Yes	Yes	Yes	Yes	Yes	Yes
	5MVB874CH004	COVER PWB PANEL		1	No	No	No	No	No	No	No	No	No	No	No	Yes
1003	5MVX721DN001	LEVER INTERLOCK		1	Yes	Yes	Yes	Yes	Yes	Yes	Yes	Yes	Yes	Yes	Yes	Yes
1006	5MMW351LD006	SPRING INTERLOCK		1	Yes	Yes	Yes	Yes	Yes	Yes	Yes	Yes	Yes	Yes	Yes	Yes
1007	5MML622LD003	PLATE EARTH JOINT		1	Yes	Yes	Yes	Yes	Yes	Yes	Yes	Yes	Yes	Yes	Yes	Yes
1008	5AAY3010E+31	EARTH GUIDE ASSY		1	Yes	Yes	Yes	Yes	Yes	Yes	Yes	Yes	Yes	Yes	Yes	Yes
1009	5AAVR0LL*044	ROLLER FEED ASSY	1	1	No	No	No	No	No	No	No	No	No	No	No	No
1009	5AAVR0LL+056	ROLLER FEED J ASSY	1	1	Yes	Yes	Yes	Yes	Yes	Yes	Yes	Yes	Yes	Yes	Yes	Yes
1010	5MMT766SN007	SHAFT FEED		1	Yes	Yes	Yes	Yes	Yes	Yes	Yes	Yes	Yes	Yes	Yes	Yes
1011	5MVM176DN026	BUSH FEED		2	Yes	Yes	Yes	Yes	Yes	Yes	Yes	Yes	Yes	Yes	Yes	Yes
1012	5MVT676DB002	PULLY FEED		1	Yes	Yes	Yes	Yes	Yes	Yes	Yes	Yes	Yes	Yes	Yes	Yes
1013	5MVX432DB009	ACTUATOR REGIST		1	Yes	Yes	Yes	Yes	Yes	Yes	Yes	Yes	Yes	Yes	Yes	Yes
1014	5MVX542DB003	ACTUATOR PE		1	Yes	Yes	Yes	Yes	Yes	Yes	Yes	Yes	Yes	Yes	Yes	Yes
1015	5MMW151LD005	SPRING ACTUATOR REG		1	Yes	Yes	Yes	Yes	Yes	Yes	Yes	Yes	Yes	Yes	Yes	Yes
1017	5AAY3010E+17	ROLLER REGIST ASSY		1	Yes	Yes	Yes	Yes	Yes	Yes	Yes	Yes	Yes	Yes	Yes	Yes
1018	5MVS822KF013	SHEET REGIST		1	No	No	No	No	No	No	No	No	No	No	No	No
1118	5MVS722KF008	SHEET REGIST L		1	Yes	Yes	Yes	Yes	Yes	Yes	Yes	Yes	Yes	Yes	Yes	Yes
1119	5MVS622KF010	SHEET REGIST R		1	Yes	Yes	Yes	Yes	Yes	Yes	Yes	Yes	Yes	Yes	Yes	Yes
1120	5MVS441KF008	SHEET REGIST SW		1	Yes	Yes	Yes	Yes	Yes	Yes	Yes	Yes	Yes	Yes	Yes	Yes
1019	5MMX532LD005	CONTACT EARTH REG		1	Yes	Yes	Yes	Yes	Yes	Yes	Yes	Yes	Yes	Yes	Yes	Yes
1020	5MMT876SN074	ROLLER TRANSFER	1	1	Yes	Yes	Yes	Yes	Yes	Yes	Yes	Yes	Yes	Yes	Yes	Yes
1023	5MVG127DB048	GEAR TC Z18		1	Yes	Yes	Yes	Yes	Yes	Yes	Yes	Yes	Yes	Yes	Yes	Yes
1024	5MMX432LD005	CONTACT TRANSFER		1	Yes	Yes	Yes	Yes	Yes	Yes	Yes	Yes	Yes	Yes	Yes	Yes
1025	5MMX331LD003	PLATE EARTH BRUSH		1	Yes	Yes	Yes	Yes	Yes	Yes	Yes	Yes	Yes	Yes	Yes	Yes
1026	5AAY3010E+39	MPF ASSY E	1	1	No	No	No	No	No	No	No	No	No	No	No	No
1026	5AAY3010U+10	MPF ASSY U	1	1	No	No	No	No	No	No	No	No	No	No	No	No
1026	5AAY1000J+09	MPF ASSY J	1	1	No	No	No	No	No	No	No	No	No	No	No	No
1026	5AAYA87CH+04	MPF ASSY CHU	1	1	No	No	No	No	No	No	No	No	No	No	No	Yes
1029	5AAY3010E+18	TE SENSOR ASSY		1	Yes	Yes	Yes	Yes	Yes	Yes	Yes	Yes	Yes	Yes	Yes	Yes
1030	5MMW261LD036	SPRING TE SENSOR		1	Yes	Yes	Yes	Yes	Yes	Yes	Yes	Yes	Yes	Yes	Yes	Yes
1031	5MMS775SL001	PLATE CONTROLLER		1	Yes	Yes	Yes	Yes	Yes	Yes	Yes	Yes	Yes	Yes	Yes	Yes
1032	5MVG148DN045	GEAR Z38H		1	Yes	Yes	Yes	Yes	Yes	Yes	Yes	Yes	Yes	Yes	Yes	Yes
1033	5MVG148DN046	GEAR FREE Z40H		1	Yes	Yes	Yes	Yes	Yes	Yes	Yes	Yes	Yes	Yes	Yes	Yes
1034	5MVG138DN041	GEAR FREE Z25S		1	Yes	Yes	Yes	Yes	Yes	Yes	Yes	Yes	Yes	Yes	Yes	Yes
1035	5MVG148DN047	GEAR Z34S		1	Yes	Yes	Yes	Yes	Yes	Yes	Yes	Yes	Yes	Yes	Yes	Yes
1036	5MVG148DN048	GEAR Z40S		1	Yes	Yes	Yes	Yes	Yes	Yes	Yes	Yes	Yes	Yes	Yes	Yes
1037	5MVG148DN049	GEAR Z37S		1	Yes	Yes	Yes	Yes	Yes	Yes	Yes	Yes	Yes	Yes	Yes	Yes
1038	5MMW271LD010	SPRING FREE		1	Yes	Yes	Yes	Yes	Yes	Yes	Yes	Yes	Yes	Yes	Yes	Yes
1039	5MMT364SN003	PIN DRIVE		1	3	Yes	Yes	Yes	Yes	Yes	Yes	Yes	Yes	Yes	Yes	Yes
1040	5MVB663SB048	COVER CORD		1	Yes	Yes	Yes	Yes	Yes	Yes	Yes	Yes	Yes	Yes	Yes	Yes
1041	5AAVCLTCH015	CLUTCH FEED		1	Yes	Yes	Yes	Yes	Yes	Yes	Yes	Yes	Yes	Yes	Yes	Yes

Ref.	Part Code	Description	ISP	Used	KMC	KMA	KMDE	KMUK	KMFR	KMIT	KMAUS	KMSG	KMHG	TWN	PHN	CHP
1042	5AAVCLTCH016	CLUTCH REGIST	1	1	Yes	Yes	Yes	Yes	Yes	Yes	Yes	Yes	Yes	Yes	Yes	Yes
1043	5AAVCLTCH017	CLUTCH MPF	1	1	Yes	Yes	Yes	Yes	Yes	Yes	Yes	Yes	Yes	Yes	Yes	Yes
1044	5MVX111DN003	RING STOPPER	1	5	Yes	Yes	Yes	Yes	Yes	Yes	Yes	Yes	Yes	Yes	Yes	Yes
1045	5MMX332LD013	PLATE EARTH MPF		1	Yes	Yes	Yes	Yes	Yes	Yes	Yes	Yes	Yes	Yes	Yes	Yes
1046	5MVX322SB020	ACTUATOR FUSER B		1	Yes	Yes	Yes	Yes	Yes	Yes	Yes	Yes	Yes	Yes	Yes	Yes
1047	5AAY3010E+35	COVER REAR ASSY	1	1	Yes	Yes	Yes	Yes	Yes	Yes	Yes	Yes	Yes	Yes	Yes	Yes
1048	5AAY3010E+36	ROLLER EXIT UP ASSY	1	1	Yes	Yes	Yes	Yes	Yes	Yes	Yes	Yes	Yes	Yes	Yes	Yes
1049	5MVG137DN030	GEAR EXIT Z23 UP	1	1	Yes	Yes	Yes	Yes	Yes	Yes	Yes	Yes	Yes	Yes	Yes	Yes
1050	5MVM176DW001	BUSH EXIT		1	Yes	Yes	Yes	Yes	Yes	Yes	Yes	Yes	Yes	Yes	Yes	Yes
1051	5MVS228RB019	FOOT		4	Yes	Yes	Yes	Yes	Yes	Yes	Yes	Yes	Yes	Yes	Yes	Yes
1052	5EZNF2402403+01	FAN MOTOR	1	1	Yes	Yes	Yes	Yes	Yes	Yes	Yes	Yes	Yes	Yes	Yes	Yes
1053	5AAXTR046VDA	TRANS ASSY	1	1	No	No	No	No	No	No	No	No	No	No	No	No
1053	5AAXTR049VDA	TRANS ASSY	1	1	Yes	Yes	Yes	Yes	Yes	Yes	Yes	Yes	Yes	Yes	Yes	Yes
1059	5MMT876SN073	ROLLER REGIST LOW		1	Yes	Yes	Yes	Yes	Yes	Yes	Yes	Yes	Yes	Yes	Yes	Yes
1060	5MMT865SN010	ROLLER REGIST UP		1	Yes	Yes	Yes	Yes	Yes	Yes	Yes	Yes	Yes	Yes	Yes	Yes
1061	5MVX221DB019	BUSH REGIST LEFT		1	Yes	Yes	Yes	Yes	Yes	Yes	Yes	Yes	Yes	Yes	Yes	Yes
1062	5MVX221DW006	BUSH REGIST RIGHT		1	Yes	Yes	Yes	Yes	Yes	Yes	Yes	Yes	Yes	Yes	Yes	Yes
1063	5MMW261LD023	SPRING REGIST R		2	Yes	Yes	Yes	Yes	Yes	Yes	Yes	Yes	Yes	Yes	Yes	Yes
1064	5MVG127DB047	GEAR REGIST Z20		1	Yes	Yes	Yes	Yes	Yes	Yes	Yes	Yes	Yes	Yes	Yes	Yes
1065	5MVG126DB025	GEAR REGIST Z13		1	Yes	Yes	Yes	Yes	Yes	Yes	Yes	Yes	Yes	Yes	Yes	Yes
1066	5MVT653DW001	PIN CASSETTE		1	Yes	Yes	Yes	Yes	Yes	Yes	Yes	Yes	Yes	Yes	Yes	Yes
1067	5MMW341LD005	SPRING PIN CASSETTE		1	Yes	Yes	Yes	Yes	Yes	Yes	Yes	Yes	Yes	Yes	Yes	Yes
1068	5MMT365SN003	PIN CONTACT BIAS		1	Yes	Yes	Yes	Yes	Yes	Yes	Yes	Yes	Yes	Yes	Yes	Yes
1069	5MMW361LD015	SPRING PIN BIAS		1	Yes	Yes	Yes	Yes	Yes	Yes	Yes	Yes	Yes	Yes	Yes	Yes
1074	5MVX866SH012	GUIDE TURN		1	Yes	Yes	Yes	Yes	Yes	Yes	Yes	Yes	Yes	Yes	Yes	Yes
1075	5AAY3010E+41	SEPARATOR MPF ASSY	1	1	Yes	Yes	Yes	Yes	Yes	Yes	Yes	Yes	Yes	Yes	Yes	Yes
1076	5MMW261LD038	SPRING SEPA MPF		1	Yes	Yes	Yes	Yes	Yes	Yes	Yes	Yes	Yes	Yes	Yes	Yes
1077	5MVX221DB023	BUSH TC L	1	1	Yes	Yes	Yes	Yes	Yes	Yes	Yes	Yes	Yes	Yes	Yes	Yes
1078	5MMW251LD043	SPRING TC L		1	Yes	Yes	Yes	Yes	Yes	Yes	Yes	Yes	Yes	Yes	Yes	Yes
1079	5MVX221DW008	BUSH TC R	1	1	Yes	Yes	Yes	Yes	Yes	Yes	Yes	Yes	Yes	Yes	Yes	Yes
1080	5MMW261LD034	SPRING TC R		1	Yes	Yes	Yes	Yes	Yes	Yes	Yes	Yes	Yes	Yes	Yes	Yes
1081	5MVB874SH018	COVER REAR		1	Yes	Yes	Yes	Yes	Yes	Yes	Yes	Yes	Yes	Yes	Yes	Yes
1082	5MVB874SH019	TRAY EXIT FU		1	Yes	Yes	Yes	Yes	Yes	Yes	Yes	Yes	Yes	Yes	Yes	Yes
1085	5MMX332LD021	BKT PULLEY FD		1	Yes	Yes	Yes	Yes	Yes	Yes	Yes	Yes	Yes	Yes	Yes	Yes
1086	5MVM273DB005	PULLEY EXIT		1	Yes	Yes	Yes	Yes	Yes	Yes	Yes	Yes	Yes	Yes	Yes	Yes
1087	5AAVROLL*045	ROLLER MPF ASSY	1	1	Yes	Yes	Yes	Yes	Yes	Yes	Yes	Yes	Yes	Yes	Yes	Yes
1088	5MVX854SH002	HOLDER MP FEED		1	Yes	Yes	Yes	Yes	Yes	Yes	Yes	Yes	Yes	Yes	Yes	Yes
1089	5MMT766SN008	SHAFT MPF		1	Yes	Yes	Yes	Yes	Yes	Yes	Yes	Yes	Yes	Yes	Yes	Yes
1090	5MVX111DN003	RING STOPPER		3	Yes	Yes	Yes	Yes	Yes	Yes	Yes	Yes	Yes	Yes	Yes	Yes
1091	5MVX432DB010	ACTUATOR MPF		1	Yes	Yes	Yes	Yes	Yes	Yes	Yes	Yes	Yes	Yes	Yes	Yes
1092	5MVX221DN014	CAM MPF R		1	Yes	Yes	Yes	Yes	Yes	Yes	Yes	Yes	Yes	Yes	Yes	Yes
1093	5MVM176DN026	BUSH FEED		2	Yes	Yes	Yes	Yes	Yes	Yes	Yes	Yes	Yes	Yes	Yes	Yes
1094	5ENXGP1A73A**01	PT SENSOR	1	1	Yes	Yes	Yes	Yes	Yes	Yes	Yes	Yes	Yes	Yes	Yes	Yes
1095	5AACCNRM0GEA	CONN.CORD ASSY		1	Yes	Yes	Yes	Yes	Yes	Yes	Yes	Yes	Yes	Yes	Yes	Yes
1096	5MVB872SH018	COVER MPF		1	No	No	No	No	No	No	No	No	No	No	No	No

Ref.	Part Code	Description		ISP	Used	KMC	KMA	KMDE	KMUK	KMFR	KMIT	KMAUS	KMSG	KMHG	TWN	PHN	CHP
1096	5MVB872SH020	COVER MPF	U		1	No	No	No	No	No	No	No	No	No	No	No	No
1096	5MVB872SH029	COVER MPF	IBM		1	No	No	No	No	No	No	No	No	No	No	No	No
1096	5MVB872SH030	COVER MPF			1	Yes	Yes	Yes	Yes	Yes	Yes	Yes	Yes	Yes	Yes	Yes	No
1096	5MVB872SH031	COVER MPF CHU			1	No	No	No	No	No	No	No	No	No	No	No	Yes
1098	5MVX861SH004	TRAY MPF A			1	Yes	Yes	Yes	Yes	Yes	Yes	Yes	Yes	Yes	Yes	Yes	Yes
1099	5MVX751SH001	TRAY MPF B			1	Yes	Yes	Yes	Yes	Yes	Yes	Yes	Yes	Yes	Yes	Yes	Yes
1111	5MVM161DW001	BUSH PULLEY FEED			2	Yes	Yes	Yes	Yes	Yes	Yes	Yes	Yes	Yes	Yes	Yes	Yes
1A01	5AAY3010E+45	REGIST KIT		1	1	Yes	Yes	Yes	Yes	Yes	Yes	Yes	Yes	Yes	Yes	Yes	Yes
1A02	5AAY3010E+40	BOTTOM MPF ASSY			1	Yes	Yes	Yes	Yes	Yes	Yes	Yes	Yes	Yes	Yes	Yes	Yes
2002	5AAPRCZC2007AH	P.W.BOARD ASSY	ENGINE KP-781	1	1	No	No	No	No	No	No	No	No	No	No	No	No
2002	5AAPRCZC2007BH	P.W.BOARD ASSY	ENGINE KP-781	1	1	No	No	No	No	No	No	No	No	No	No	No	No
2002	5AAPRCZC2007CH	P.W.BOARD ASSY	ENGINE KP-781	1	1	No	No	Yes	Yes	Yes	Yes	Yes	Yes	Yes	Yes	Yes	No
2002	5AAPRCZC2007DH	P.W.BOARD ASSY	ENGINE KP-781	1	1	No	Yes	No	No	No	No	No	No	No	No	No	No
2002	5AAPRCZC2007EH	P.W.BOARD ASSY	ENGINE KP-781	1	1	Yes	No	No	No	No	No	No	No	No	No	No	No
2002	5AAPRCZC2007FH	P.W.BOARD ASSY	ENGINE KP-781	1	1	No	No	No	No	No	No	No	No	No	No	No	Yes
2002	5AAPRCZC2007GH	P.W.BOARD ASSY	ENGINE KP-781	1	1	No	No	No	No	No	No	No	No	No	No	No	No
2003	5AAPRCZC1008AH	P.W.BOARD ASSY	BIAS KP-783	1	1	Yes	Yes	Yes	Yes	Yes	Yes	Yes	Yes	Yes	Yes	Yes	Yes
2008	5AACCNRL7GEA	CONN.CORD ASSY			1	Yes	Yes	Yes	Yes	Yes	Yes	Yes	Yes	Yes	Yes	Yes	Yes
2009	5AACCNRM1GEA	CONN.CORD ASSY			1	Yes	Yes	Yes	Yes	Yes	Yes	Yes	Yes	Yes	Yes	Yes	Yes
2010	5AACCNRM2GEA	CONN.CORD ASSY			1	Yes	Yes	Yes	Yes	Yes	Yes	Yes	Yes	Yes	Yes	Yes	Yes
2011	5AACCNRL0GEA	CONN.CORD ASSY			1	Yes	Yes	Yes	Yes	Yes	Yes	Yes	Yes	Yes	Yes	Yes	Yes
2012	5AACCNRL1GEA	CONN.CORD ASSY			1	Yes	Yes	Yes	Yes	Yes	Yes	Yes	Yes	Yes	Yes	Yes	Yes
2013	5MMB775SL013	BOX CONTROLLER			1	Yes	Yes	Yes	Yes	Yes	Yes	Yes	Yes	Yes	Yes	Yes	Yes
2015	5MMS636SD009	PLATE OPTION			1	Yes	Yes	Yes	Yes	Yes	Yes	Yes	Yes	Yes	Yes	Yes	Yes
2016	5AAPRLGC2021AH	P.W.BOARD ASSY	MAIN KP-780	1	1	No	No	No	No	No	No	No	No	No	No	No	No
2016	5AAPRLGC2021CH	P.W.BOARD ASSY	MAIN KP-780	1	1	No	No	No	No	No	No	No	No	No	No	No	No
2016	5AAPRLGC2021DH	P.W.BOARD ASSY	MAIN KP-780	1	1	Yes	Yes	Yes	Yes	Yes	Yes	Yes	Yes	Yes	Yes	Yes	No
2016	5AAPRLGC2022AH	P.W.BOARD ASSY	MAIN KP-881	1	1	No	No	No	No	No	No	No	No	No	No	No	Yes
2017	5MMX773SL001	PLATE SW REG			1	Yes	Yes	Yes	Yes	Yes	Yes	Yes	Yes	Yes	Yes	Yes	Yes
2018	5MVS765KF001	SHEET SW REG			1	Yes	Yes	Yes	Yes	Yes	Yes	Yes	Yes	Yes	Yes	Yes	Yes
2019	5AAEZ3010E+1 or 5AAEZ3010E+2	SWITCHING REGULATOR(E)	240V	1	1	No	No	Yes	Yes	Yes	Yes	Yes	Yes	Yes	Yes	No	No
2019	5AAEZ3010E+1	SWITCHING REGULATOR(E)	240V	1	1	No	No	No	No	No	No	No	No	No	No	No	Yes
2019	5AAEZ3010U+1	SWITCHING REGULATOR(U)	120V	1	1	Yes	Yes	No	No	No	No	No	No	No	No	Yes	No
3001	5AAXMT047GEA	MOTOR MAIN			1	1	No	No	No	No	No	No	No	No	No	No	No
3001	5AAXMT056GEA	MOTOR MAIN			1	1	Yes	Yes	Yes	Yes	Yes	Yes	Yes	Yes	Yes	Yes	Yes
3002	5MMX776SL005	PLATE DRIVE			1	Yes	Yes	Yes	Yes	Yes	Yes	Yes	Yes	Yes	Yes	Yes	Yes
3003	5MVG168DN017	GEAR Z68H-Z21H			1	Yes	Yes	Yes	Yes	Yes	Yes	Yes	Yes	Yes	Yes	Yes	Yes
3004	5MVG159DN012	GEAR Z48H-Z21H			1	Yes	Yes	Yes	Yes	Yes	Yes	Yes	Yes	Yes	Yes	Yes	Yes
3005	5MVG148DN044	GEAR Z40H			1	Yes	Yes	Yes	Yes	Yes	Yes	Yes	Yes	Yes	Yes	Yes	Yes
3006	5MVG169DN032	GEAR Z95H-Z21H			1	Yes	Yes	Yes	Yes	Yes	Yes	Yes	Yes	Yes	Yes	Yes	Yes
3007	5MVG169DN033	GEAR Z53H			1	Yes	Yes	Yes	Yes	Yes	Yes	Yes	Yes	Yes	Yes	Yes	Yes
3008	5MVG138DN042	GEAR Z24H			1	Yes	Yes	Yes	Yes	Yes	Yes	Yes	Yes	Yes	Yes	Yes	Yes
3009	5MVG137DN029	GEAR Z21H			1	Yes	Yes	Yes	Yes	Yes	Yes	Yes	Yes	Yes	Yes	Yes	Yes
3010	5MVG148DN050	GEAR Z36H-Z21H			1	Yes	Yes	Yes	Yes	Yes	Yes	Yes	Yes	Yes	Yes	Yes	Yes

Ref.	Part Code	Description	ISP	Used	KMC	KMA	KMDE	KMUK	KMFR	KMIT	KMAUS	KMSG	KMHG	TWN	PHN	CHP
3011	5MMX521LD005	PLATE EARTH DRUM		1	Yes	Yes	Yes	Yes	Yes	Yes	Yes	Yes	Yes	Yes	Yes	Yes
3012	5EZSA2402410301	SOLENOID FEED	1	1	Yes	Yes	Yes	Yes	Yes	Yes	Yes	Yes	Yes	Yes	Yes	Yes
3013	5EZSA2402410401	SOLENOID REGIST	1	1	Yes	Yes	Yes	Yes	Yes	Yes	Yes	Yes	Yes	Yes	Yes	Yes
3014	5EZSA2402410501	SOLENOID MPF	1	1	Yes	Yes	Yes	Yes	Yes	Yes	Yes	Yes	Yes	Yes	Yes	Yes
4001	5MVB876CB003	FRAME MIDDLE		1	Yes	Yes	Yes	Yes	Yes	Yes	Yes	Yes	Yes	Yes	Yes	Yes
4002	5MMX875SL005	PLATE LSU		1	Yes	Yes	Yes	Yes	Yes	Yes	Yes	Yes	Yes	Yes	Yes	Yes
4003	5MVQ711GX004	MIRROR EXIT		1	Yes	Yes	Yes	Yes	Yes	Yes	Yes	Yes	Yes	Yes	Yes	Yes
4005	5MVX721SB004	SHUTTER LSU		1	Yes	Yes	Yes	Yes	Yes	Yes	Yes	Yes	Yes	Yes	Yes	Yes
4006	5AAY3010E+26	FULL SENSOR ASSY	1	1	Yes	Yes	Yes	Yes	Yes	Yes	Yes	Yes	Yes	Yes	Yes	Yes
4007	5MMX221LD024	SPRING MIRROR		2	Yes	Yes	Yes	Yes	Yes	Yes	Yes	Yes	Yes	Yes	Yes	Yes
4009	5MMW341LD006	SPRING SHUTTER LSU		1	Yes	Yes	Yes	Yes	Yes	Yes	Yes	Yes	Yes	Yes	Yes	Yes
4010	5MMW261LD040	SPRING FULL SENSOR		1	Yes	Yes	Yes	Yes	Yes	Yes	Yes	Yes	Yes	Yes	Yes	Yes
4011	5MVVL661WN34	LABEL LASER CAUTION		1	Yes	Yes	Yes	Yes	Yes	Yes	Yes	Yes	Yes	Yes	Yes	Yes
4013	5AAPREL1001AH	P.W.BOARD ASSY	ERASE KP-790	1	1	Yes	Yes	Yes	Yes	Yes	Yes	Yes	Yes	Yes	Yes	Yes
4021	5MVS319RF004	SEAL LSU D		1	Yes	Yes	Yes	Yes	Yes	Yes	Yes	Yes	Yes	Yes	Yes	Yes
5019	5MVX331PH001	CAP MCH		1	Yes	Yes	Yes	Yes	Yes	Yes	Yes	Yes	Yes	Yes	Yes	Yes
5034	5MMX632LD006	CONTACT MAIN		1	Yes	Yes	Yes	Yes	Yes	Yes	Yes	Yes	Yes	Yes	Yes	Yes
5A01	5AAY3010E+52	BLADE KIT		1	Yes	Yes	Yes	Yes	Yes	Yes	Yes	Yes	Yes	Yes	Yes	Yes
5A02	5AAY3010E+53	COVER DRUM R2 KIT		1	Yes	Yes	Yes	Yes	Yes	Yes	Yes	Yes	Yes	Yes	Yes	Yes
5A03	5AAY3010E+54	COVER DRUM L2 KIT		1	Yes	Yes	Yes	Yes	Yes	Yes	Yes	Yes	Yes	Yes	Yes	Yes
7001	5MVX876KB004	FRAME FUSER LOW		1	Yes	Yes	Yes	Yes	Yes	Yes	Yes	Yes	Yes	Yes	Yes	Yes
7004	5MMT876SN075	ROLLER PRESS		1	Yes	Yes	Yes	Yes	Yes	Yes	Yes	Yes	Yes	Yes	Yes	Yes
7005	5MVX221XN003	BUSH PRESS		2	Yes	Yes	Yes	Yes	Yes	Yes	Yes	Yes	Yes	Yes	Yes	Yes
7006	5MMW261LD037	SPRING PRESS		2	Yes	Yes	Yes	Yes	Yes	Yes	Yes	Yes	Yes	Yes	Yes	Yes
7007	5MVG127DN070	GEAR IDLE Z18		1	Yes	Yes	Yes	Yes	Yes	Yes	Yes	Yes	Yes	Yes	Yes	Yes
7008	5MVG137DN031	GEAR EXIT Z23		1	Yes	Yes	Yes	Yes	Yes	Yes	Yes	Yes	Yes	Yes	Yes	Yes
7009	5MMX665LD004	PLATE EARTH FUSER		1	Yes	Yes	Yes	Yes	Yes	Yes	Yes	Yes	Yes	Yes	Yes	Yes
7010	5MVX731CB002	ACTUATOR FUSER A		1	Yes	Yes	Yes	Yes	Yes	Yes	Yes	Yes	Yes	Yes	Yes	Yes
7011	5MMW261LD017	SPRING ACTUATOR		1	Yes	Yes	Yes	Yes	Yes	Yes	Yes	Yes	Yes	Yes	Yes	Yes
7012	5MMT774SN001	ROLLER EXIT LOW		1	Yes	Yes	Yes	Yes	Yes	Yes	Yes	Yes	Yes	Yes	Yes	Yes
7013	5MVX211DB016	BUSH EXIT		1	Yes	Yes	Yes	Yes	Yes	Yes	Yes	Yes	Yes	Yes	Yes	Yes
7014	5MVVL731WN14	LABEL FUSER CAUTION		1	Yes	Yes	Yes	Yes	Yes	Yes	Yes	Yes	Yes	Yes	Yes	Yes
7015	5MVB863KB003	FRAME FUSER UP		1	Yes	Yes	Yes	Yes	Yes	Yes	Yes	Yes	Yes	Yes	Yes	Yes
7016	5MMT876AX001	ROLLER HEAT		1	Yes	Yes	Yes	Yes	Yes	Yes	Yes	Yes	Yes	Yes	Yes	Yes
7017	5MVM188XN015	BUSH HEAT R		1	Yes	Yes	Yes	Yes	Yes	Yes	Yes	Yes	Yes	Yes	Yes	Yes
7018	5MVM188XN016	BUSH HEAT L		1	Yes	Yes	Yes	Yes	Yes	Yes	Yes	Yes	Yes	Yes	Yes	Yes
7019	5EZPB2411920201	HEATER LAMP (E)	240V	1	1	No	No	No	No	No	No	No	No	No	No	No
7019	5EZPB1213820201	HEATER LAMP (U)	120V	1	1	No	No	No	No	No	No	No	No	No	No	No
7019	5EZPB1014520201	HEATER LAMP (J)	100V	1	1	No	No	No	No	No	No	No	No	No	No	No
		or ISP1000J+001														
7019	5EZPB2412120702	HEATER LAMP (E)	240V	1	1	No	No	Yes	Yes	Yes	Yes	Yes	Yes	Yes	No	Yes
7019	5EZPB1214220701	HEATER LAMP (U)	120V	1	1	No	Yes	No	No	No	No	No	No	No	Yes	No
7019	5EZPB1015020801	HEATER LAMP (J)	100V	1	1	Yes	No	No	No	No	No	No	No	No	No	No
7021	5AACCNRL4GEA	CONN.CORD ASSY	E	1	No	No	Yes	Yes	Yes	Yes	Yes	Yes	Yes	Yes	No	Yes
7021	5AACCNRL5GEA	CONN.CORD ASSY	U	1	Yes	Yes	No	No	No	No	No	No	No	No	Yes	No



Ref.	Part Code	Description	ISP	Used	KMC	KMA	KMDE	KMUK	KMFR	KMIT	KMAUS	KMSG	KMHG	TWN	PHN	CHP
7021	5AACCNSE1GEA	CONN.CORD ASSY		1	No	No	No	No	No	No	No	No	No	No	No	No
7023	5AAXTM014GEA	THERMISTOR ASSY	1	1	Yes	Yes	Yes	Yes	Yes	Yes	Yes	Yes	Yes	Yes	Yes	Yes
7024	5EYFFQ16002Q+01	THERMO CUT OUT	1	1	Yes	Yes	Yes	Yes	Yes	Yes	Yes	Yes	Yes	Yes	Yes	Yes
7025	5MVX222XN002	SEPARATOR		4	No	No	No	No	No	No	No	No	No	No	No	No
7025	5AAVSEPR015	SEPARATOR ASSY		4	Yes	Yes	Yes	Yes	Yes	Yes	Yes	Yes	Yes	Yes	Yes	Yes
7026	5MMW261LD015	SPRING SEPARATOR		4	No	No	No	No	No	No	No	No	No	No	No	No
7026	5MMW261LD055	SPRING SEPARATOR		4	Yes	Yes	Yes	Yes	Yes	Yes	Yes	Yes	Yes	Yes	Yes	Yes
	5MVS222KN006	SHEET REAR		2	Yes	Yes	Yes	Yes	Yes	Yes	Yes	Yes	Yes	Yes	Yes	Yes
	5MVS222KW001	SHEET REAR B		2	Yes	Yes	Yes	Yes	Yes	Yes	Yes	Yes	Yes	Yes	Yes	Yes
7027	5MVG148XN008	GEAR HEAT Z33		1	Yes	Yes	Yes	Yes	Yes	Yes	Yes	Yes	Yes	Yes	Yes	Yes
7028	5MVG148XN009	GEAR IDLE Z34		1	Yes	Yes	Yes	Yes	Yes	Yes	Yes	Yes	Yes	Yes	Yes	Yes
7029	5MML531RD001 or 5MML531RD002	HOLDER LAMP A		1	Yes	Yes	Yes	Yes	Yes	Yes	Yes	Yes	Yes	Yes	Yes	Yes
7030	5MML211RD002	HOLDER LAMP B		1	Yes	Yes	Yes	Yes	Yes	Yes	Yes	Yes	Yes	Yes	Yes	Yes
7031	5MVM273DB005	PULLEY EXIT		2	Yes	Yes	Yes	Yes	Yes	Yes	Yes	Yes	Yes	Yes	Yes	Yes
7032	5MMW601LD011	SPRING PULLEY		2	Yes	Yes	Yes	Yes	Yes	Yes	Yes	Yes	Yes	Yes	Yes	Yes
8001	5MVB886SH063	BASE CASSETTE		1	Yes	Yes	Yes	Yes	Yes	Yes	Yes	Yes	Yes	Yes	Yes	Yes
8004	5MMS856SL001	PLATE BOTTOM		1	Yes	Yes	Yes	Yes	Yes	Yes	Yes	Yes	Yes	Yes	Yes	Yes
8005	5MMW552LD002	SPRING CASSETTE		2	Yes	Yes	Yes	Yes	Yes	Yes	Yes	Yes	Yes	Yes	Yes	Yes
8006	5MVX765SH002	GUIDE SIDE R		1	Yes	Yes	Yes	Yes	Yes	Yes	Yes	Yes	Yes	Yes	Yes	Yes
8007	5MVX765SH003	GUIDE SIDE L		1	Yes	Yes	Yes	Yes	Yes	Yes	Yes	Yes	Yes	Yes	Yes	Yes
8008	5MVX664SH003	STOPPER PAPER		1	Yes	Yes	Yes	Yes	Yes	Yes	Yes	Yes	Yes	Yes	Yes	Yes
8009	5MVX541DG003	LEVER SIDE		1	Yes	Yes	Yes	Yes	Yes	Yes	Yes	Yes	Yes	Yes	Yes	Yes
8010	5MVX541DG002	LEVER REAR		1	Yes	Yes	Yes	Yes	Yes	Yes	Yes	Yes	Yes	Yes	Yes	Yes
8011	5MVG127DN071	GEAR CASSETTE		1	Yes	Yes	Yes	Yes	Yes	Yes	Yes	Yes	Yes	Yes	Yes	Yes
8015	5MMW251LD047	SPRING SEPARATOR C		1	Yes	Yes	Yes	Yes	Yes	Yes	Yes	Yes	Yes	Yes	Yes	Yes
8016	5MVX431DW001	LOCK CASSETTE R		1	Yes	Yes	Yes	Yes	Yes	Yes	Yes	Yes	Yes	Yes	Yes	Yes
8017	5MVX431DW002	LOCK CASSETTE L		1	Yes	Yes	Yes	Yes	Yes	Yes	Yes	Yes	Yes	Yes	Yes	Yes
8018	5MMW251LD045	SPRING LOCK		2	Yes	Yes	Yes	Yes	Yes	Yes	Yes	Yes	Yes	Yes	Yes	Yes
8019	5MMP141LD003	PLATE STOPPER		1	Yes	Yes	Yes	Yes	Yes	Yes	Yes	Yes	Yes	Yes	Yes	Yes
8020	5MMP141LD002	PLATE SIDE GUIDE		1	Yes	Yes	Yes	Yes	Yes	Yes	Yes	Yes	Yes	Yes	Yes	Yes
8021	5MMW171LD006	SPRING STOPPER		1	Yes	Yes	Yes	Yes	Yes	Yes	Yes	Yes	Yes	Yes	Yes	Yes
8A01	5AAVB0TOM009 or 5AAY3010E+49	BOTTOM CASSETTE KIT		1	Yes	Yes	Yes	Yes	Yes	Yes	Yes	Yes	Yes	Yes	Yes	Yes
8A02	5AAVSEPR013 or 5AAY3010E+50	SEPARATOR KIT		1	Yes	Yes	Yes	Yes	Yes	Yes	Yes	Yes	Yes	Yes	Yes	Yes
A-002	5AACAC428EEA or 5AACAC476EEA or 5AACAC479EEA	AC CORD ASSY		1	No	No	Yes	No	Yes	Yes	No	Yes	No	No	No	Yes
A-002	5AACAC458BSA or 5AACAC480BSA	AC CORD ASSY		1	No	No	No	Yes	No	No	No	No	Yes	Yes	No	No
A-002	5AACAC404ASA or 5AACAC481ASA	AC CORD ASSY		1	No	No	No	No	No	No	Yes	No	No	No	No	No
A-002	5AACAC393ULA or 5AACAC482ULA	AC CORD ASSY		1	No	Yes	No	No	No	No	No	No	No	No	Yes	No
A-002	5AACAC444JAA or 5AACAC483JAA	AC CORD ASSY		1	Yes	No	No	No	No	No	No	No	No	No	No	No

Ref.	Part Code	Description	ISP	Used	KMC	KMA	KMDE	KMUK	KMFR	KMIT	KMAUS	KMSG	KMHG	TWN	PHN	CHP
A-003	5AAMDK5P**01	CLEANING KIT C		1	Yes	Yes	Yes	Yes	Yes	Yes	Yes	Yes	Yes	Yes	Yes	Yes
P-001	5AAK3010E+02	PACKING ASSY	E	1	No	No	No	No	No	No	No	No	No	No	No	No
P-001	5AAK3010U+01	PACKING ASSY	U	1	No	No	No	No	No	No	No	No	No	No	No	No
P-001	5AAK1000J+02	PACKING ASSY	J	1	No	No	No	No	No	No	No	No	No	No	No	No
P-001	5AAKA88E++02	PACKING ASSY	E	1	No	No	Yes	Yes	Yes	Yes	Yes	Yes	Yes	Yes	No	No
P-001	5AAKA88U++01	PACKING ASSY	U	1	No	Yes	No	No	No	No	No	No	No	No	No	No
P-001	5AAKA88J++01 or 5AAKA88J++02	PACKING ASSY	J	1	Yes	No	No	No	No	No	No	No	No	No	No	No
P-001	5AAKA88TW+01	PACKING ASSY	TWN	1	No	No	No	No	No	No	No	No	No	No	Yes	No
P-001	5AAKA87CH+02	PACKING ASSY	CHU	1	No	No	No	No	No	No	No	No	No	No	No	Yes
P-002	5KKS3010E+01	OUTER CARTON	E	1	1	No	No	No	No	No	No	No	No	No	No	No
P-002	5KKS3010U+01	OUTER CARTON	U	1	1	No	No	No	No	No	No	No	No	No	No	No
P-002	5KKS3010TW01	OUTER CARTON	TWN	1	1	No	No	No	No	No	No	No	No	No	No	No
P-002	ISPA49E++027	OUTER CARTON	TN	1	1	No	No	No	No	No	No	No	No	No	No	No
P-002	5KKS1000J+01	OUTER CARTON	J	1	1	No	No	No	No	No	No	No	No	No	No	No
P-002	5KKS88E++01	OUTER CARTON	E	1	1	No	No	Yes	Yes	Yes	Yes	Yes	Yes	Yes	Yes	No
P-002	5KKS88U++01	OUTER CARTON	U	1	1	No	Yes	No	No	No	No	No	No	No	No	No
P-002	5KKS88J++01	OUTER CARTON	J	1	1	Yes	No	No	No	No	No	No	No	No	No	No
P-002	5KKS88TW+01	OUTER CARTON	TWN	1	1	No	No	No	No	No	No	No	No	No	Yes	No
P-002	5KKS87CH+01	OUTER CARTON	CHU	1	1	No	No	No	No	No	No	No	No	No	No	Yes
P-003	5KKA3010E+01	TOP PAD L		2	Yes	Yes	Yes	Yes	Yes	Yes	Yes	Yes	Yes	Yes	Yes	No
P-003	5KKA87E++01	TOP PAD L		2	No	No	No	No	No	No	No	No	No	No	No	Yes
P-004	5KKA3010E+02	TOP PAD R		2	Yes	Yes	Yes	Yes	Yes	Yes	Yes	Yes	Yes	Yes	Yes	No
P-004	5KKA87E++02	TOP PAD R		2	No	No	No	No	No	No	No	No	No	No	No	Yes
P-005	5KKA3010E+03	BOTTOM PAD L		2	Yes	Yes	Yes	Yes	Yes	Yes	Yes	Yes	Yes	Yes	Yes	Yes
P-006	5KKA3010E+04	BOTTOM PAD R		2	Yes	Yes	Yes	Yes	Yes	Yes	Yes	Yes	Yes	Yes	Yes	Yes
P-007	5KKA3010E+05	PAD BL		2	Yes	Yes	Yes	Yes	Yes	Yes	Yes	Yes	Yes	Yes	Yes	Yes
P-008	5KKA3010E+06	PAD BR		2	Yes	Yes	Yes	Yes	Yes	Yes	Yes	Yes	Yes	Yes	Yes	Yes
P-009	5KKA3010E+07	TONER PAD		2	Yes	Yes	Yes	Yes	Yes	Yes	Yes	Yes	Yes	Yes	Yes	No
P-009	5KKA87E++03	TONER PAD		2	No	No	No	No	No	No	No	No	No	No	No	Yes
P-010	5KKA3010E+08	CORD PAD		2	Yes	Yes	Yes	Yes	Yes	Yes	Yes	Yes	Yes	Yes	Yes	No
P-010	5KKA87E++04	CORD PAD		2	No	No	No	No	No	No	No	No	No	No	No	Yes
P-011	5KKF656260B4	POLY BAG		1	Yes	Yes	Yes	Yes	Yes	Yes	Yes	Yes	Yes	Yes	Yes	No
P-011	5KKF658560BA	POLY BAG		1	No	No	No	No	No	No	No	No	No	No	No	Yes
P-012	5KKF153800A4	POLY BAG		1	Yes	Yes	Yes	Yes	Yes	Yes	Yes	Yes	Yes	Yes	Yes	Yes
PWBA/D	5AAPRMEG2011BQ	P.W.B. ASSY KP-854	MASK DIMM	1	1	No	No	No	No	No	No	No	No	No	No	No
PWBA/D	5AAPRMEG2011CQ	P.W.B. ASSY KP-854	MASK DIMM	1	1	No	No	No	No	No	No	No	No	No	No	No
PWBA/D	5AAPRMEG2011DQ	P.W.B. ASSY KP-854	MASK DIMM	1	1	Yes	Yes	Yes	Yes	Yes	Yes	Yes	Yes	Yes	Yes	No
PWBA/D	5AAPRMEG4022HQ	P.W.B. ASSY KP-710	FRASH DIMM	1	1	No	No	No	No	No	No	No	No	No	No	No
PWBA/D	5AAPRMEG4022PQ	P.W.B. ASSY KP-710	FLASH DIMM	1	1	No	No	No	No	No	No	No	No	No	No	No
PWBA/D	5AAPRMEG4022QQ	P.W.B. ASSY KP-710	FLASH DIMM	1	1	Yes	Yes	Yes	Yes	Yes	Yes	No	No	No	No	No
PWBA/D	5AAPRMEG4023AQ	P.W.B. ASSY	FLASH DIMM	1	1	No	No	No	No	No	No	No	No	No	No	Yes
YS02/M	5AAXAP037GEA	100PIN DIMM 16M	16M DIMM	1	No	No	No	No	No	No	No	No	No	No	No	Yes
	5MVB872SH019	BASE MPF		1	Yes	Yes	Yes	Yes	Yes	Yes	Yes	Yes	Yes	Yes	Yes	Yes
	5MVX752SH002	GUIDE MPF R		1	Yes	Yes	Yes	Yes	Yes	Yes	Yes	Yes	Yes	Yes	Yes	Yes

Ref.	Part Code	Description	ISP	Used	KMC	KMA	KMDE	KMUK	KMFR	KMIT	KMAUS	KMSG	KMHG	TWN	PHN	CHP
	5MVX752SH003	GUIDE MPF L		1	Yes	Yes	Yes	Yes	Yes	Yes	Yes	Yes	Yes	Yes	Yes	Yes
	5MVG137DN032	GEAR MPF		1	Yes	Yes	Yes	Yes	Yes	Yes	Yes	Yes	Yes	Yes	Yes	Yes
	5MMW271SZ005	SPRING BOTTOM MPF		1	Yes	Yes	Yes	Yes	Yes	Yes	Yes	Yes	Yes	Yes	Yes	Yes

