



---

# FS-1000 Ecosys Printer Parts Catalog

# Contents

## **Diagrams**

**ENCLOSURES > page 3**

**FRAME > page 4**

**DEVELOPER > page 5**

**DRIVE-UNIT > page 6**

**UPPER-FRAME > page 7**

**FUSER UNIT > page 8**

**PAPER CASSETTE > page 9**

**OPTION FEEDER, PAPER CASSETTE > page 10**

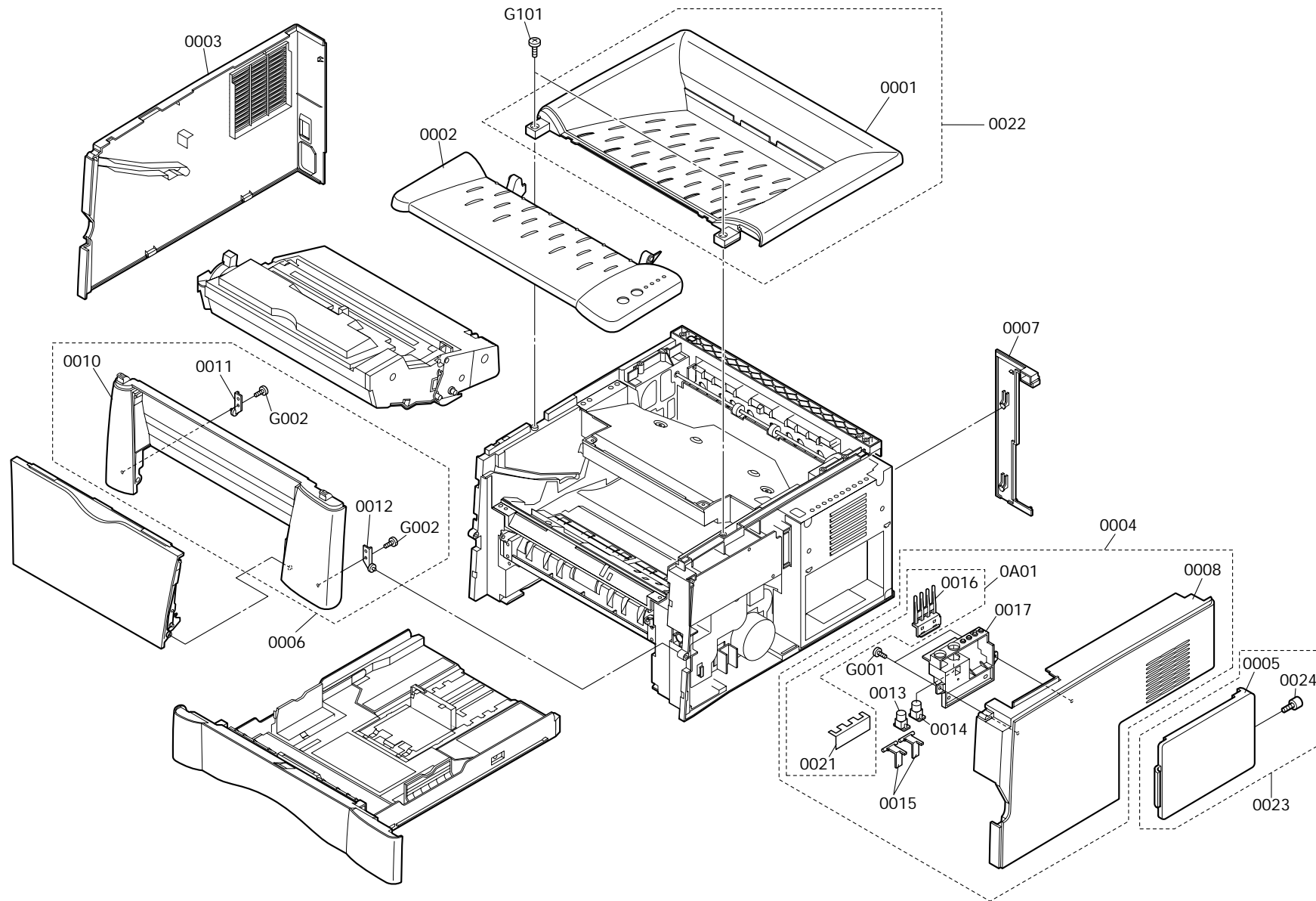
**OPTION FEEDER > page 11**

**Parts Catalog > pages 12 to 17**

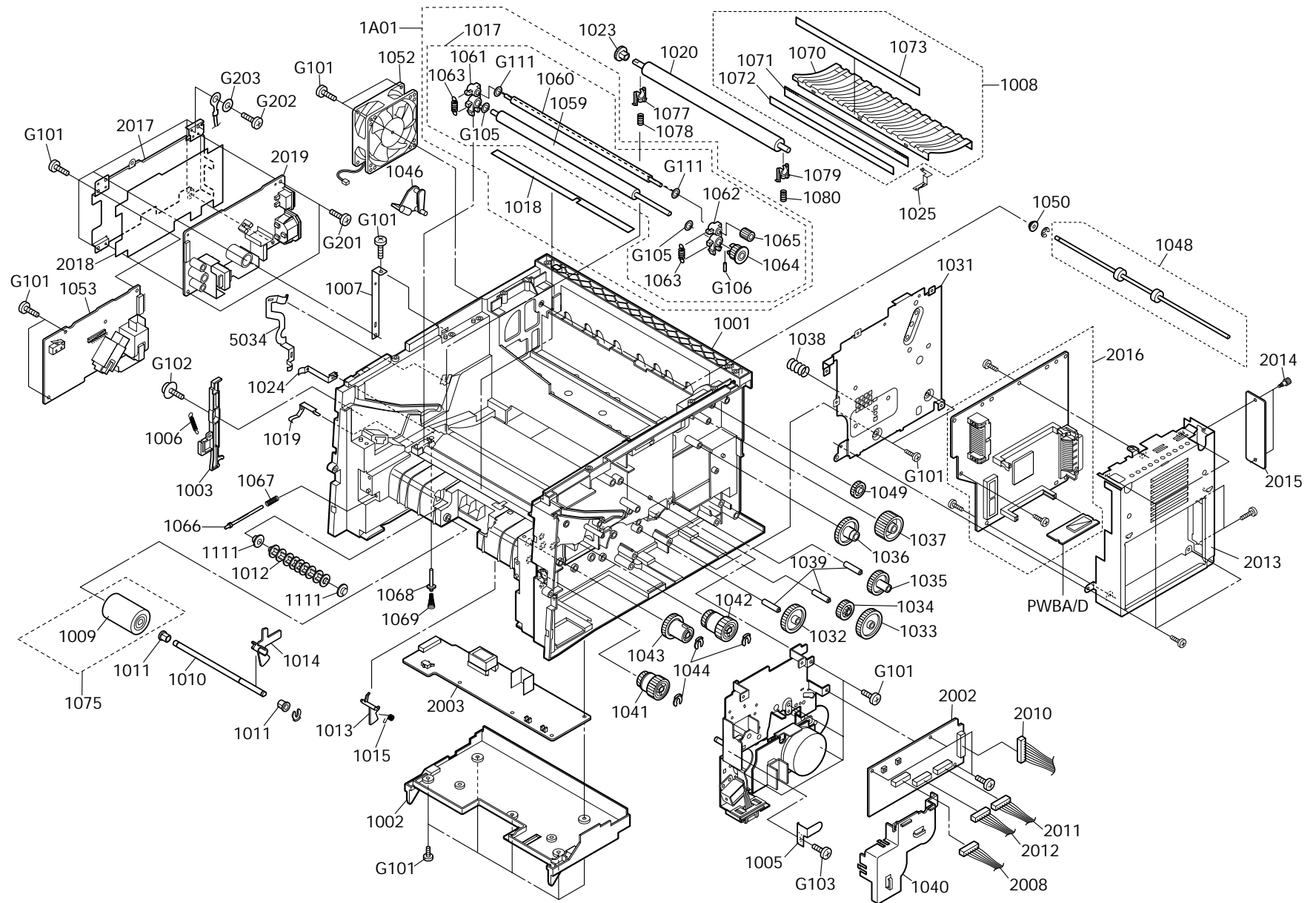
A latest version of this catalog is readily available at the Kyocera ftp site. Please contact Kyocera Mita in this regard.

For additional information and downloads, please visit <http://www.kyocera.com/w2k>.

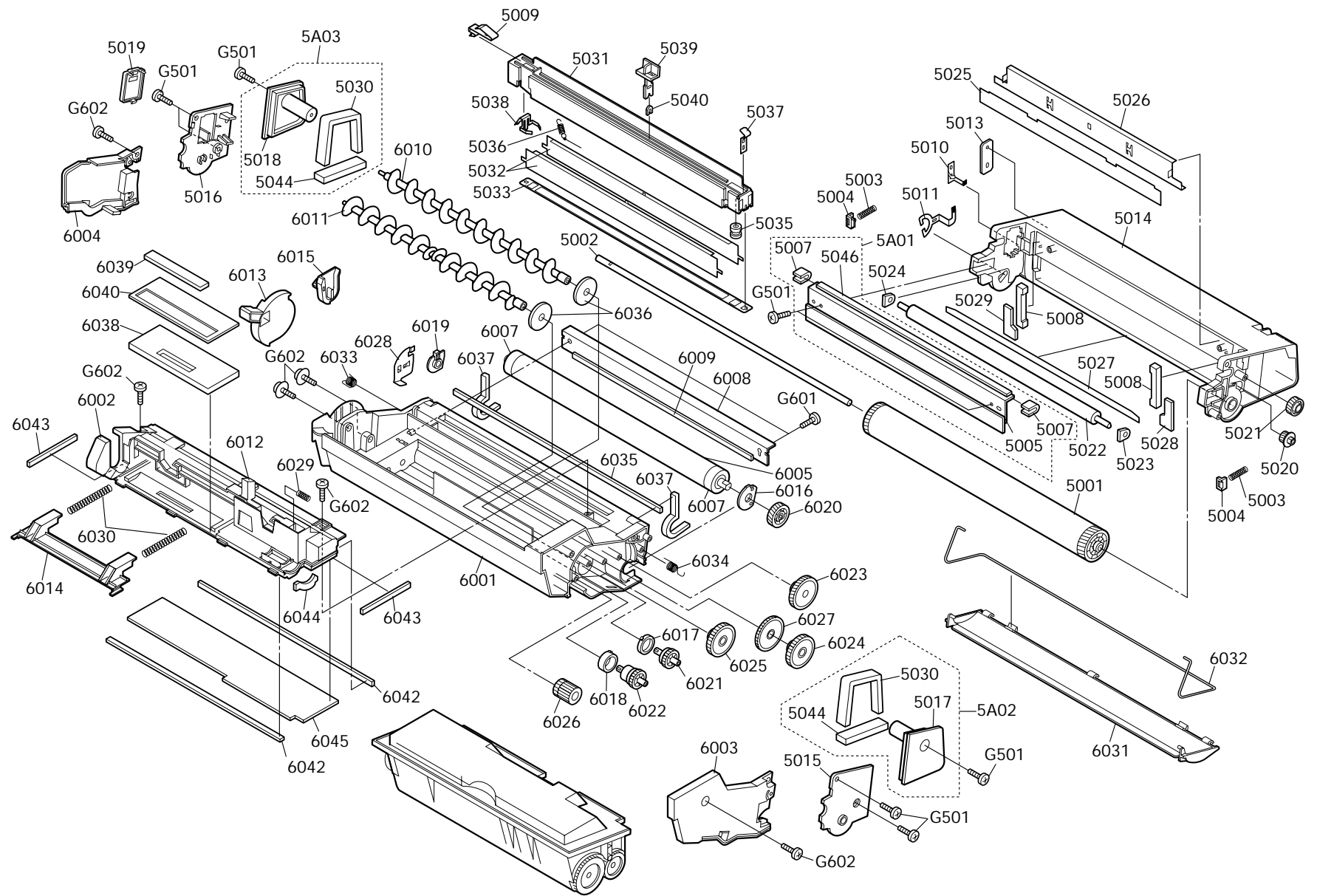
ENCLOSURES



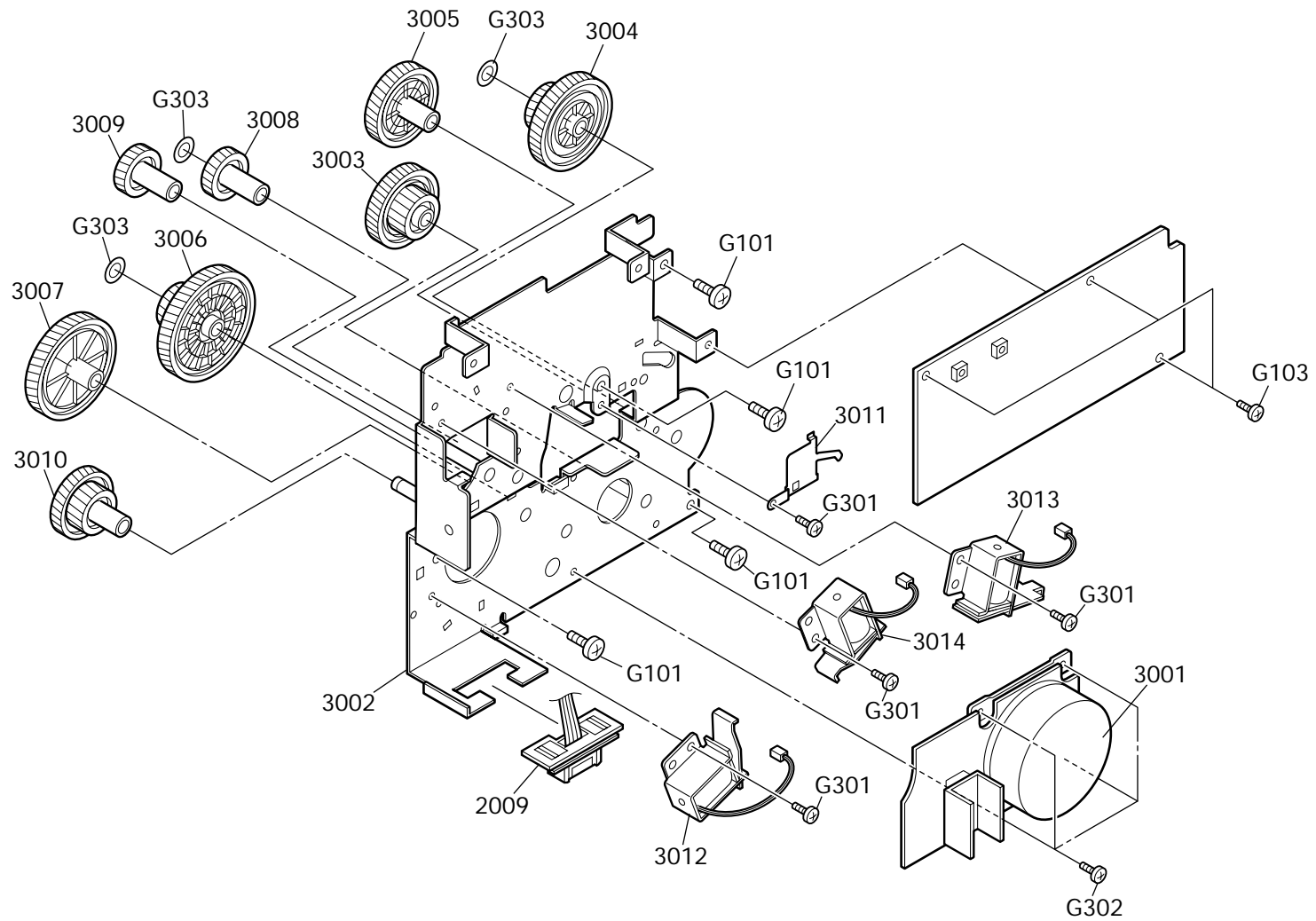
FRAME



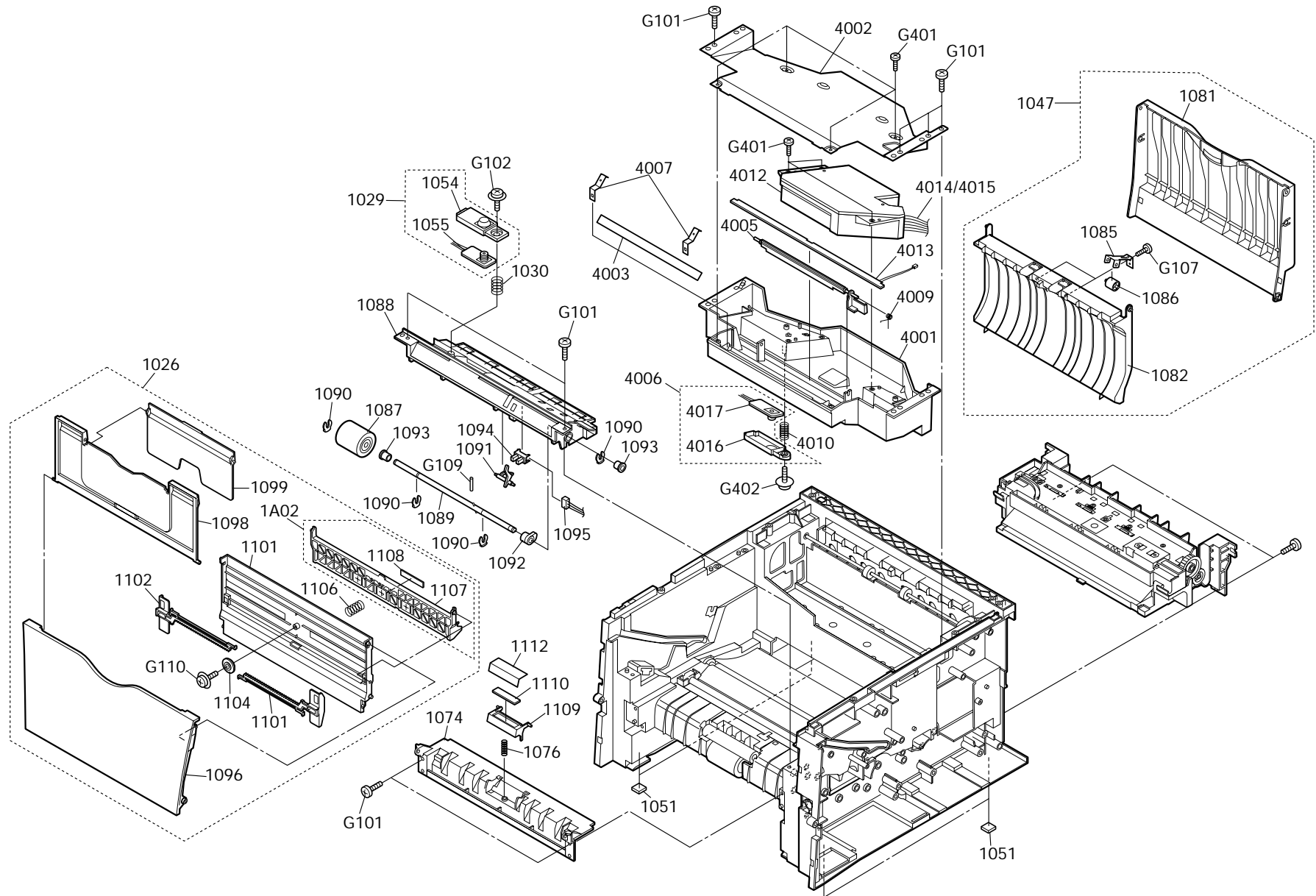
DEVELOPER



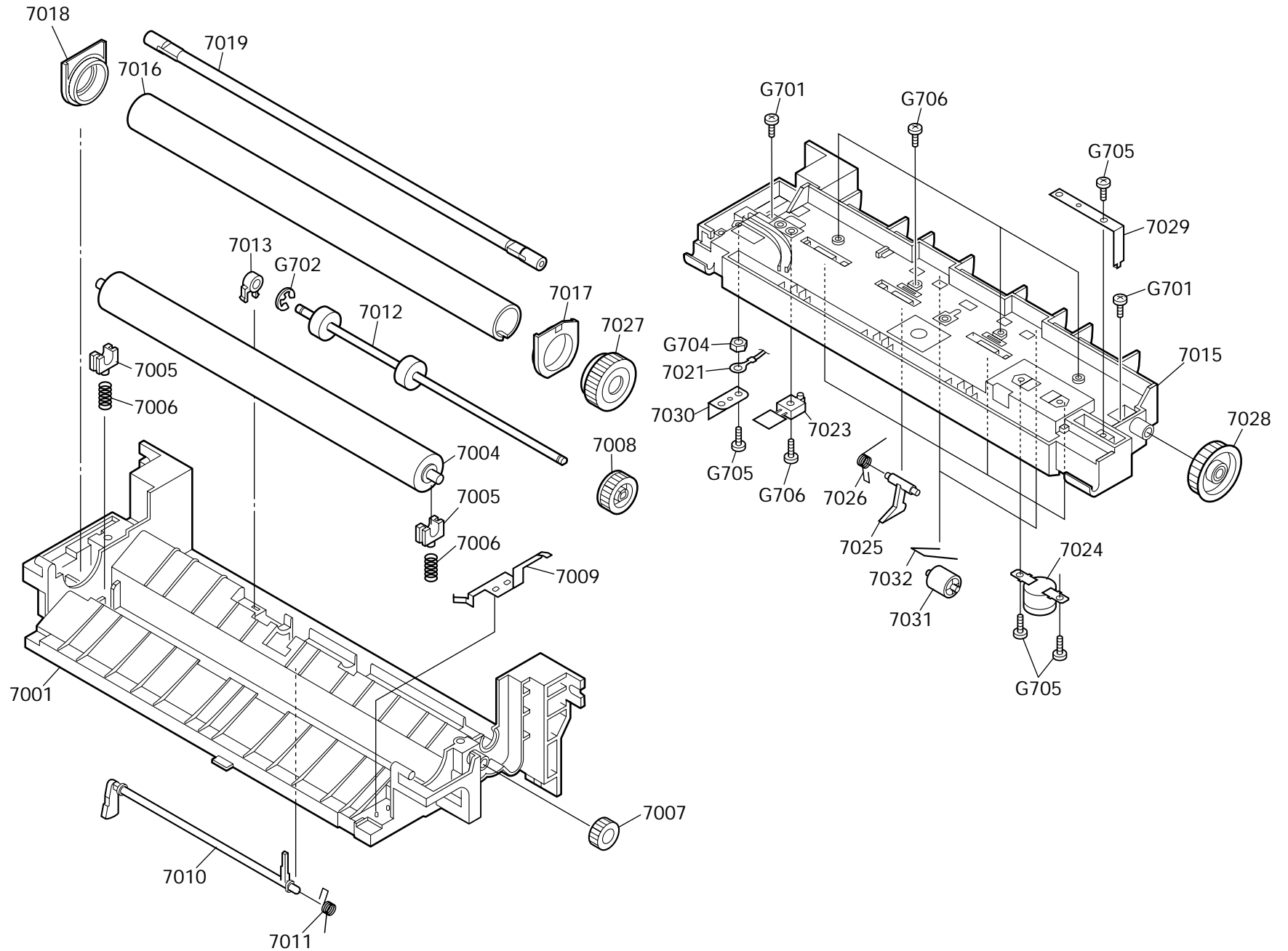
DRIVE-UNIT



UPPER-FRAME

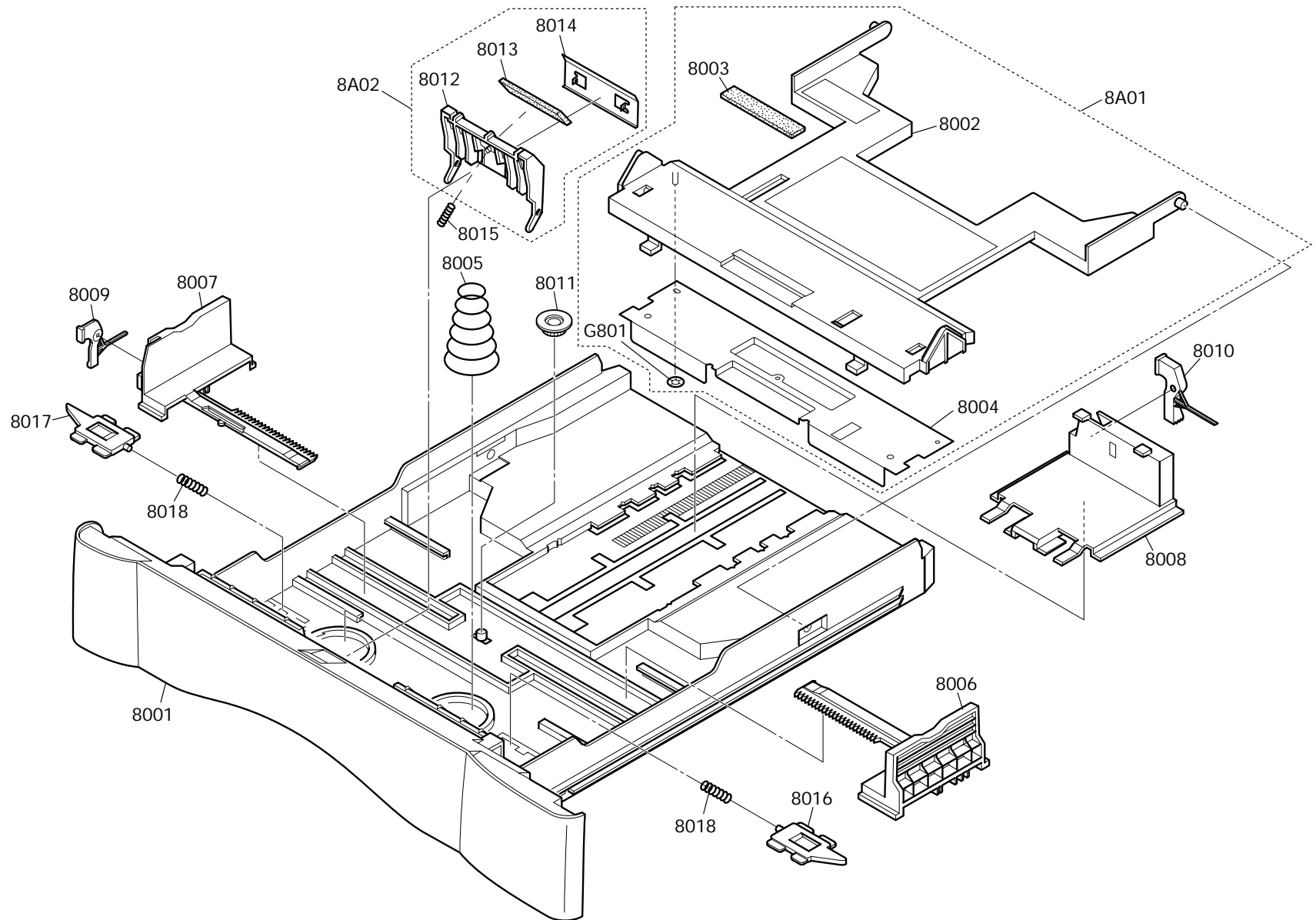


FUSER UNIT

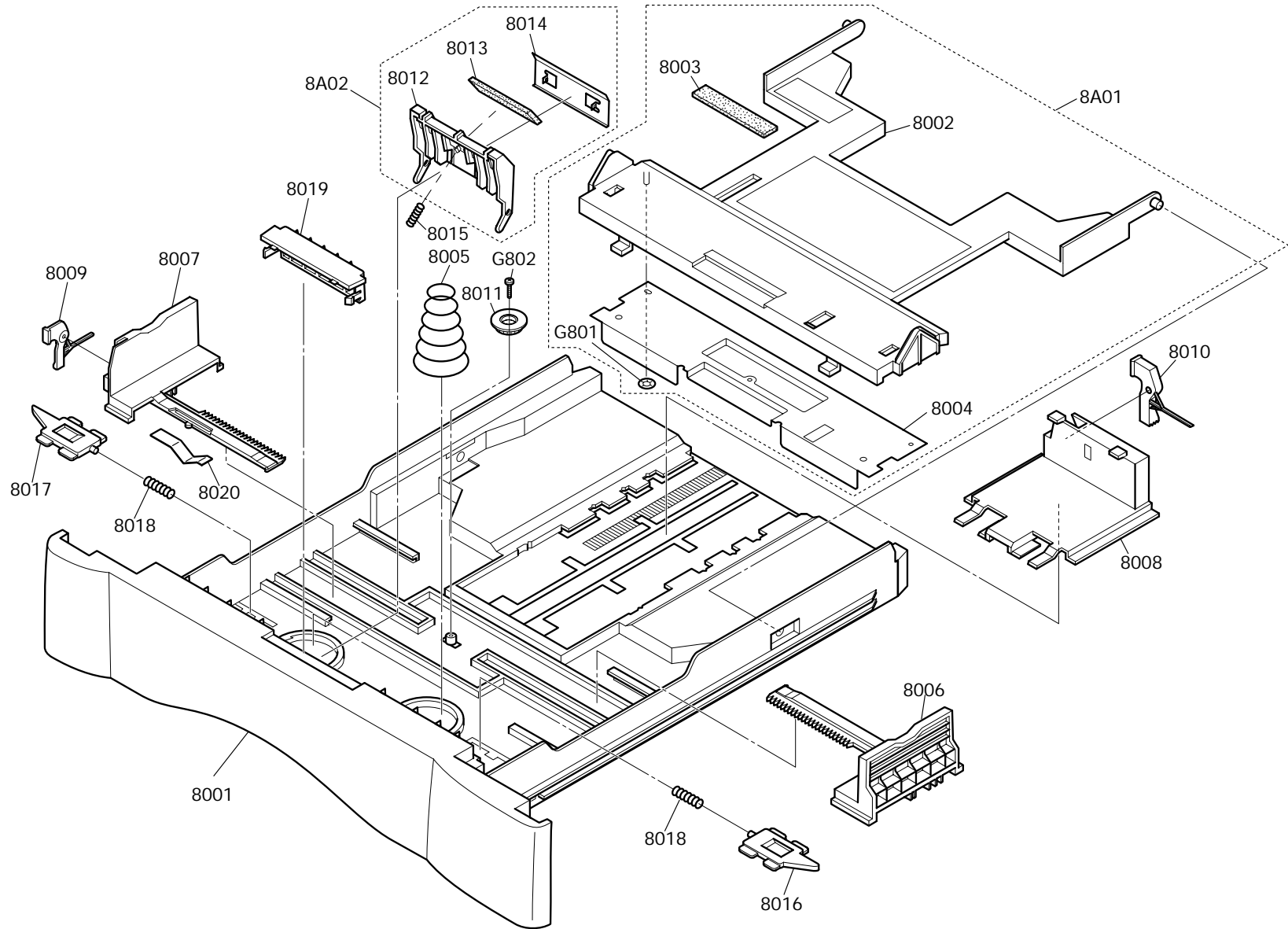




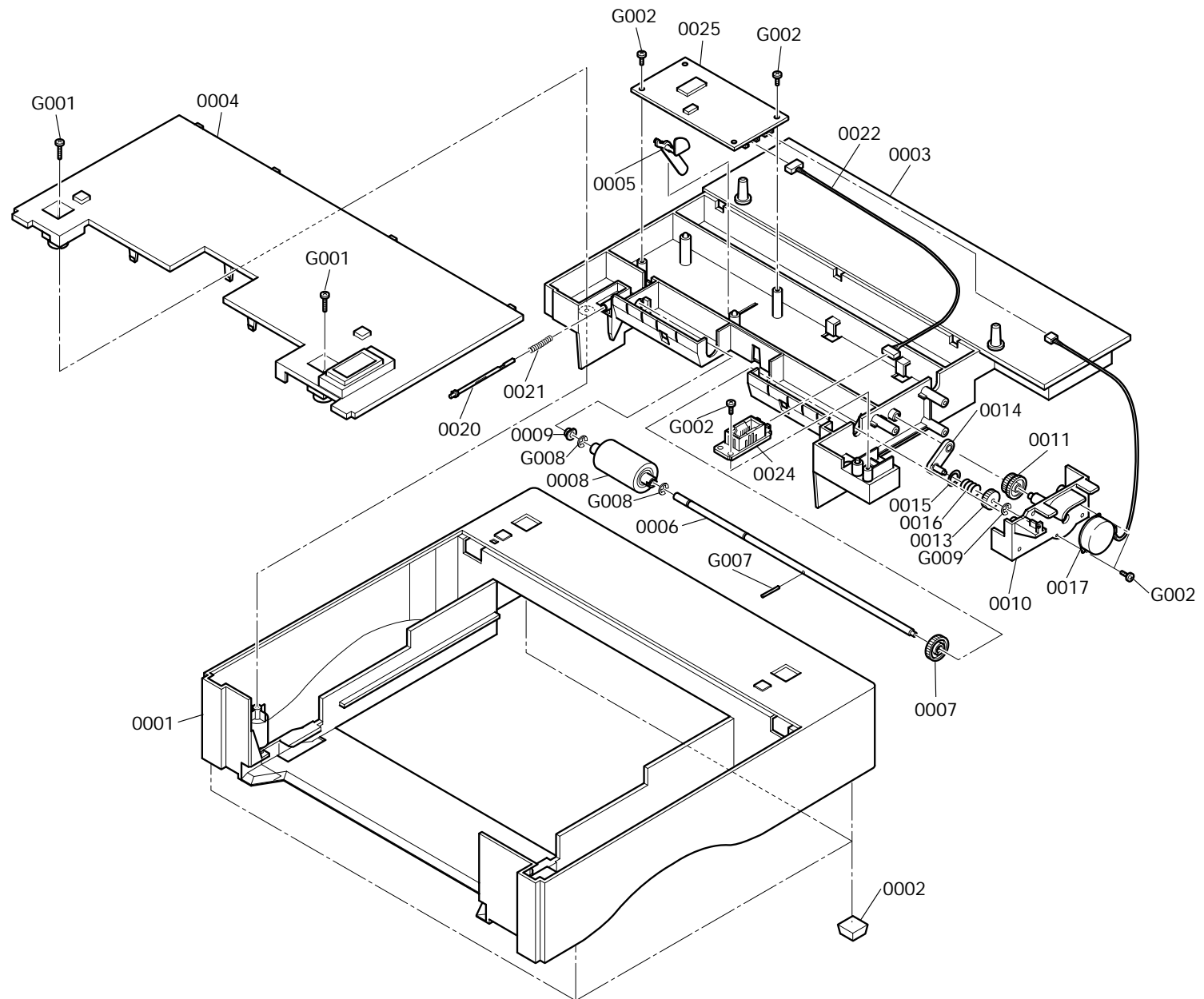
PAPER CASSETTE



OPTION FEEDER, PAPER CASSETTE



OPTION FEEDER



## Parts Catalog: Ecosys Printer FS-1000

REF.	PART CODE	ALT. CODE	DESCRIPTION	ISP	USED	KEE	KEU	KEF	KEIS	KEA	KMTH	KMSG	TWN	TN	HKG	PHN	KMA
	5PLPXU2AEKX		PU-40 PROCESS UNIT	1	1	Yes	Yes	Yes	Yes	Yes	Yes	Yes	Yes	Yes	Yes	Yes	Yes
	5PLPXU3AEKX		FK-40 FUSER UNIT (E)	240V	1	1	Yes	Yes	Yes	Yes	Yes	Yes	No	No	Yes	Yes	No
	5PLPXU4AEKX		FK-40 FUSER UNIT (U)	120V	1	1	No	No	No	No	No	No	Yes	Yes	No	No	Yes
	5PLPXT9AEKX		LK-40 SCANNER UNIT	1	1	Yes	Yes	Yes	Yes	Yes	Yes	Yes	Yes	Yes	Yes	Yes	Yes
	5PLPXU0AEKX		DR-40 DRIVE UNIT	1	1	Yes	Yes	Yes	Yes	Yes	Yes	Yes	Yes	Yes	Yes	Yes	Yes
	5PLPXU5AEKX		MC-40 MCH ASSY	1	1	Yes	Yes	Yes	Yes	Yes	Yes	Yes	Yes	Yes	Yes	Yes	Yes
	5PLPXU6AEKX		PC-40 CASSETTE ASSY A4	1	1	Yes	Yes	Yes	Yes	Yes	Yes	Yes	Yes	Yes	Yes	Yes	Yes
	5PLPXU7AEKX		PC-40 CASSETTE ASSY LTR	1	1	Yes	Yes	Yes	Yes	Yes	No	No	No	No	No	No	Yes
0001	5MVB886CH008		COVER TOP	1	1	Yes	Yes	Yes	Yes	Yes	Yes	Yes	Yes	Yes	Yes	Yes	Yes
0002	5MVB876CH013		LID TOP	1	1	Yes	Yes	Yes	Yes	Yes	Yes	Yes	Yes	Yes	Yes	Yes	Yes
0003	5MVB886CH009		COVER LEFT	1	1	Yes	Yes	Yes	Yes	Yes	Yes	Yes	Yes	Yes	Yes	Yes	Yes
0004	5AAY3010E+27		COVER RIGHT ASSY	1	1	Yes	Yes	Yes	Yes	Yes	Yes	Yes	Yes	Yes	Yes	Yes	Yes
0005	5MVB773CH001		COVER DIMM	1	1	Yes	Yes	Yes	Yes	Yes	Yes	Yes	Yes	Yes	Yes	Yes	Yes
0006	5AAY3010E+28		COVER FRONT ASSY	1	1	Yes	Yes	Yes	Yes	Yes	Yes	Yes	Yes	Yes	Yes	Yes	Yes
0007	5MVB851SH003		COVER REAR SIDE	1	1	Yes	Yes	Yes	Yes	Yes	Yes	Yes	Yes	Yes	Yes	Yes	Yes
0008	5MVB885CH004		COVER RIGHT	1	1	Yes	Yes	Yes	Yes	Yes	Yes	Yes	Yes	Yes	Yes	Yes	Yes
0010	5MVB875CH001		COVER FRONT	1	1	Yes	Yes	Yes	Yes	Yes	Yes	Yes	Yes	Yes	Yes	Yes	Yes
0011	5MVX422DN005		HINGE FRONT L	1	1	Yes	Yes	Yes	Yes	Yes	Yes	Yes	Yes	Yes	Yes	Yes	Yes
0012	5MVX422DN006		HINDE FRONT R	1	1	Yes	Yes	Yes	Yes	Yes	Yes	Yes	Yes	Yes	Yes	Yes	Yes
0013	5MVX444SH001		BUTTON A	1	1	Yes	Yes	Yes	Yes	Yes	Yes	Yes	Yes	Yes	Yes	Yes	Yes
0014	5MVX444SH002		BUTTON B	1	1	Yes	Yes	Yes	Yes	Yes	Yes	Yes	Yes	Yes	Yes	Yes	Yes
0015	5MVX322SN002		LEVER BUTTON	1	1	Yes	Yes	Yes	Yes	Yes	Yes	Yes	Yes	Yes	Yes	Yes	Yes
0017	5MVB764SH013		HOLDER PANEL	1	1	Yes	Yes	Yes	Yes	Yes	Yes	Yes	Yes	Yes	Yes	Yes	Yes
0018	5MVVM3010E+1		RATING LABEL E	1	1	Yes	Yes	Yes	Yes	Yes	Yes	Yes	No	No	Yes	Yes	No
0018	5MVVM3010U+1		RATING LABEL U	1	1	No	No	No	No	No	No	No	No	Yes	No	No	Yes
0018	5MVVM3010TW1		RATING LABEL	1	1	No	No	No	No	No	No	No	Yes	No	No	No	No
0022	5AAY3010E+46		COVER TOP ASSY	1	1	Yes	Yes	Yes	Yes	Yes	Yes	Yes	Yes	Yes	Yes	Yes	Yes
0023	5AAY3010E+47		COVER DIMM ASSY	1	1	Yes	Yes	Yes	Yes	Yes	Yes	Yes	Yes	Yes	Yes	Yes	Yes
0024	5MMT263SN012		SCREW OP	1	1	Yes	Yes	Yes	Yes	Yes	Yes	Yes	No	No	Yes	Yes	Yes
0024	5MMT263SN012		SCREW OP	2	2	Yes	Yes	Yes	Yes	Yes	Yes	Yes	Yes	Yes	Yes	Yes	Yes
0026	5MMX761LD002		PLATE SHIELD	1	1	Yes	Yes	Yes	Yes	Yes	Yes	Yes	Yes	Yes	Yes	Yes	Yes
0A01	5AAY3010E+51		GUIDE LED KIT	1	1	Yes	Yes	Yes	Yes	Yes	Yes	Yes	Yes	Yes	Yes	Yes	Yes
1001	5MVB888CB002		FRAME BASE	1	1	Yes	Yes	Yes	Yes	Yes	Yes	Yes	Yes	Yes	Yes	Yes	Yes
1002	5MVB874CH002		COVER PWB	1	1	Yes	Yes	Yes	Yes	Yes	Yes	Yes	Yes	Yes	Yes	Yes	Yes
1003	5MVX721DN001		LEVER INTERLOCK	1	1	Yes	Yes	Yes	Yes	Yes	Yes	Yes	Yes	Yes	Yes	Yes	Yes
1006	5MMW351LD006		SPRING INTERLOCK	1	1	Yes	Yes	Yes	Yes	Yes	Yes	Yes	Yes	Yes	Yes	Yes	Yes
1007	5MML622LD003		PLATE EARTH JOINT	1	1	Yes	Yes	Yes	Yes	Yes	Yes	Yes	Yes	Yes	Yes	Yes	Yes
1008	5AAY3010E+31		EARTH GUIDE ASSY	1	1	Yes	Yes	Yes	Yes	Yes	Yes	Yes	Yes	Yes	Yes	Yes	Yes
1009	5AAVROLL*044		ROLLER FEED ASSY	1	1	Yes	Yes	Yes	Yes	Yes	Yes	Yes	Yes	Yes	Yes	Yes	Yes
1010	5MMT766SN007		SHAFT FEED	1	1	Yes	Yes	Yes	Yes	Yes	Yes	Yes	Yes	Yes	Yes	Yes	Yes
1011	5MVM176DN026		BUSH FEED	2	2	Yes	Yes	Yes	Yes	Yes	Yes	Yes	Yes	Yes	Yes	Yes	Yes
1012	5MVT676DB002		PULLY FEED	1	1	Yes	Yes	Yes	Yes	Yes	Yes	Yes	Yes	Yes	Yes	Yes	Yes

REF.	PART CODE	ALT. CODE	DESCRIPTION	ISP	USEDKEE	KEU	KEF	KEIS	KEA	KMTH	KMSG	TWN	TN	HKG	PHN	KMA
1013	5MVX432DB009		ACTUATOR REGIST		1	Yes	Yes	Yes	Yes	Yes	Yes	Yes	Yes	Yes	Yes	Yes
1014	5MVX542DB003		ACTUATOR PE		1	Yes	Yes	Yes	Yes	Yes	Yes	Yes	Yes	Yes	Yes	Yes
1015	5MMW151LD005		SPRING ACTUATOR REG		1	Yes	Yes	Yes	Yes	Yes	Yes	Yes	Yes	Yes	Yes	Yes
1017	5AAY3010E+17		ROLLER REGIST ASSY		1	Yes	Yes	Yes	Yes	Yes	Yes	Yes	Yes	Yes	Yes	Yes
1018	5MVS822KF013		SHEET REGIST		1	Yes	Yes	Yes	Yes	Yes	Yes	Yes	Yes	Yes	Yes	Yes
1019	5MMX532LD005		CONTACT EARTH REG		1	Yes	Yes	Yes	Yes	Yes	Yes	Yes	Yes	Yes	Yes	Yes
1020	5MMT876SN074		ROLLER TRANSFER	1	1	Yes	Yes	Yes	Yes	Yes	Yes	Yes	Yes	Yes	Yes	Yes
1023	5MVG127DB048		GEAR TC Z18		1	Yes	Yes	Yes	Yes	Yes	Yes	Yes	Yes	Yes	Yes	Yes
1024	5MMX432LD005		CONTACT TRANSFER		1	Yes	Yes	Yes	Yes	Yes	Yes	Yes	Yes	Yes	Yes	Yes
1025	5MMX331LD003		PLATE EARTH BRUSH		1	Yes	Yes	Yes	Yes	Yes	Yes	Yes	Yes	Yes	Yes	Yes
1026	5AAY3010E+39		MPF ASSY E	1	1	Yes	Yes	Yes	Yes	Yes	Yes	No	No	Yes	Yes	No
1026	5AAY3010U+10		MPF ASSY U	1	1	No	No	No	No	No	No	Yes	Yes	No	No	Yes
1029	5AAY3010E+18		TE SENSOR ASSY	1	1	Yes	Yes	Yes	Yes	Yes	Yes	Yes	Yes	Yes	Yes	Yes
1030	5MMW261LD036		SPRING TE SENSOR		1	Yes	Yes	Yes	Yes	Yes	Yes	Yes	Yes	Yes	Yes	Yes
1031	5MMS775SL001		PLATE CONTROLLER	1	1	Yes	Yes	Yes	Yes	Yes	Yes	Yes	Yes	Yes	Yes	Yes
1032	5MVG148DN045		GEAR Z38H	1	1	Yes	Yes	Yes	Yes	Yes	Yes	Yes	Yes	Yes	Yes	Yes
1033	5MVG148DN046		GEAR FREE Z40H	1	1	Yes	Yes	Yes	Yes	Yes	Yes	Yes	Yes	Yes	Yes	Yes
1034	5MVG138DN041		GEAR FREE Z25S	1	1	Yes	Yes	Yes	Yes	Yes	Yes	Yes	Yes	Yes	Yes	Yes
1035	5MVG148DN047		GEAR Z34S	1	1	Yes	Yes	Yes	Yes	Yes	Yes	Yes	Yes	Yes	Yes	Yes
1036	5MVG148DN048		GEAR Z40S	1	1	Yes	Yes	Yes	Yes	Yes	Yes	Yes	Yes	Yes	Yes	Yes
1037	5MVG148DN049		GEAR Z37S	1	1	Yes	Yes	Yes	Yes	Yes	Yes	Yes	Yes	Yes	Yes	Yes
1038	5MMW271LD010		SPRING FREE	1	1	Yes	Yes	Yes	Yes	Yes	Yes	Yes	Yes	Yes	Yes	Yes
1039	5MMT364SN003		PIN DRIVE	1	3	Yes	Yes	Yes	Yes	Yes	Yes	Yes	Yes	Yes	Yes	Yes
1040	5MVB663SB048		COVER CORD		1	Yes	Yes	Yes	Yes	Yes	Yes	Yes	Yes	Yes	Yes	Yes
1041	5AAVCLTCH015		CLUTCH FEED	1	1	Yes	Yes	Yes	Yes	Yes	Yes	Yes	Yes	Yes	Yes	Yes
1042	5AAVCLTCH016		CLUTCH REGIST	1	1	Yes	Yes	Yes	Yes	Yes	Yes	Yes	Yes	Yes	Yes	Yes
1043	5AAVCLTCH017		CLUTCH MPF	1	1	Yes	Yes	Yes	Yes	Yes	Yes	Yes	Yes	Yes	Yes	Yes
1044	5MVX111DN003		RING STOPPER	1	5	Yes	Yes	Yes	Yes	Yes	Yes	Yes	Yes	Yes	Yes	Yes
1045	5MMX332LD013		PLATE EARTH MPF		1	Yes	Yes	Yes	Yes	Yes	Yes	Yes	Yes	Yes	Yes	Yes
1046	5MVX322SB020		ACTUATOR FUSER B		1	Yes	Yes	Yes	Yes	Yes	Yes	Yes	Yes	Yes	Yes	Yes
1047	5AAY3010E+35		COVER REAR ASSY	1	1	Yes	Yes	Yes	Yes	Yes	Yes	Yes	Yes	Yes	Yes	Yes
1048	5AAY3010E+36		ROLLER EXIT UP ASSY	1	1	Yes	Yes	Yes	Yes	Yes	Yes	Yes	Yes	Yes	Yes	Yes
1049	5MVG137DN030		GEAR EXIT Z23 UP	1	1	Yes	Yes	Yes	Yes	Yes	Yes	Yes	Yes	Yes	Yes	Yes
1050	5MVM176DW001		BUSH EXIT		1	Yes	Yes	Yes	Yes	Yes	Yes	Yes	Yes	Yes	Yes	Yes
1051	5MVS228RB019		FOOT		4	Yes	Yes	Yes	Yes	Yes	Yes	Yes	Yes	Yes	Yes	Yes
1052	5EZN2402403+01		FAN MOTOR	1	1	Yes	Yes	Yes	Yes	Yes	Yes	Yes	Yes	Yes	Yes	Yes
1053	5AAXTR046VDA		TRANS ASSY	1	1	Yes	Yes	Yes	Yes	Yes	Yes	Yes	Yes	Yes	Yes	Yes
1059	5MMT876SN073		ROLLER REGIST LOW		1	Yes	Yes	Yes	Yes	Yes	Yes	Yes	Yes	Yes	Yes	Yes
1060	5MMT865SN010		ROLLER REGIST UP		1	Yes	Yes	Yes	Yes	Yes	Yes	Yes	Yes	Yes	Yes	Yes
1061	5MVX221DB019		BUSH REGIST LEFT		1	Yes	Yes	Yes	Yes	Yes	Yes	Yes	Yes	Yes	Yes	Yes
1062	5MVX221DW006		BUSH REGIST RIGHT		1	Yes	Yes	Yes	Yes	Yes	Yes	Yes	Yes	Yes	Yes	Yes
1063	5MMW261LD023		SPRING REGIST R		2	Yes	Yes	Yes	Yes	Yes	Yes	Yes	Yes	Yes	Yes	Yes
1064	5MVG127DB047		GEAR REGIST Z20		1	Yes	Yes	Yes	Yes	Yes	Yes	Yes	Yes	Yes	Yes	Yes
1065	5MVG126DB025		GEAR REGIST Z13		1	Yes	Yes	Yes	Yes	Yes	Yes	Yes	Yes	Yes	Yes	Yes
1066	5MVT653DW001		PIN CASSETTE		1	Yes	Yes	Yes	Yes	Yes	Yes	Yes	Yes	Yes	Yes	Yes

REF.	PART CODE	ALT. CODE	DESCRIPTION	ISP	USEDKEE	KEU	KEF	KEIS	KEA	KMTH	KMSG	TWN	TN	HKG	PHN	KMA
1067	5MMW341LD005		SPRING PIN CASSETTE		1	Yes	Yes	Yes	Yes	Yes	Yes	Yes	Yes	Yes	Yes	Yes
1068	5MMT365SN003		PIN CONTACT BIAS		1	Yes	Yes	Yes	Yes	Yes	Yes	Yes	Yes	Yes	Yes	Yes
1069	5MMW361LD015		SPRING PIN BIAS		1	Yes	Yes	Yes	Yes	Yes	Yes	Yes	Yes	Yes	Yes	Yes
1074	5MVX866SH012		GUIDE TURN		1	Yes	Yes	Yes	Yes	Yes	Yes	Yes	Yes	Yes	Yes	Yes
1075	5AAY3010E+41		SEPARATOR MPF ASSY	1	1	Yes	Yes	Yes	Yes	Yes	Yes	Yes	Yes	Yes	Yes	Yes
1076	5MMW261LD038		SPRING SEPA MPF		1	Yes	Yes	Yes	Yes	Yes	Yes	Yes	Yes	Yes	Yes	Yes
1077	5MVX221DB023		BUSH TC L	1	1	Yes	Yes	Yes	Yes	Yes	Yes	Yes	Yes	Yes	Yes	Yes
1078	5MMW251LD043		SPRING TC L		1	Yes	Yes	Yes	Yes	Yes	Yes	Yes	Yes	Yes	Yes	Yes
1079	5MVX221DW008		BUSH TC R	1	1	Yes	Yes	Yes	Yes	Yes	Yes	Yes	Yes	Yes	Yes	Yes
1080	5MMW261LD034		SPRING TC R		1	Yes	Yes	Yes	Yes	Yes	Yes	Yes	Yes	Yes	Yes	Yes
1081	5MVB874SH018		COVER REAR		1	Yes	Yes	Yes	Yes	Yes	Yes	Yes	Yes	Yes	Yes	Yes
1082	5MVB874SH019		TRAY EXIT FU		1	Yes	Yes	Yes	Yes	Yes	Yes	Yes	Yes	Yes	Yes	Yes
1085	5MMX332LD021		BKT PULLEY FD		1	Yes	Yes	Yes	Yes	Yes	Yes	Yes	Yes	Yes	Yes	Yes
1086	5MVM273DB005		PULLEY EXIT		1	Yes	Yes	Yes	Yes	Yes	Yes	Yes	Yes	Yes	Yes	Yes
1087	5AAVR0LL*045		ROLLER MPF ASSY	1	1	Yes	Yes	Yes	Yes	Yes	Yes	Yes	Yes	Yes	Yes	Yes
1088	5MVX854SH002		HOLDER MP FEED		1	Yes	Yes	Yes	Yes	Yes	Yes	Yes	Yes	Yes	Yes	Yes
1089	5MMT766SN008		SHAFT MPF		1	Yes	Yes	Yes	Yes	Yes	Yes	Yes	Yes	Yes	Yes	Yes
1090	5MVX111DN003		RING STOPPER		3	Yes	Yes	Yes	Yes	Yes	Yes	Yes	Yes	Yes	Yes	Yes
1091	5MVX432DB010		ACTUATOR MPF		1	Yes	Yes	Yes	Yes	Yes	Yes	Yes	Yes	Yes	Yes	Yes
1092	5MVX221DN014		CAM MPF R		1	Yes	Yes	Yes	Yes	Yes	Yes	Yes	Yes	Yes	Yes	Yes
1093	5MVM176DN026		BUSH FEED		2	Yes	Yes	Yes	Yes	Yes	Yes	Yes	Yes	Yes	Yes	Yes
1094	5ENXGP1A73A**01		PT SENSOR	1	1	Yes	Yes	Yes	Yes	Yes	Yes	Yes	Yes	Yes	Yes	Yes
1095	5AACCNRM0GEA		CONN.CORD ASSY		1	Yes	Yes	Yes	Yes	Yes	Yes	Yes	Yes	Yes	Yes	Yes
1096	5MVB872SH018	E	COVER MPF		1	Yes	Yes	Yes	Yes	Yes	Yes	No	No	Yes	Yes	No
1096	5MVB872SH020	U	COVER MPF		1	No	No	No	No	No	No	Yes	Yes	No	No	Yes
1098	5MVX861SH004		TRAY MPF A		1	Yes	Yes	Yes	Yes	Yes	Yes	Yes	Yes	Yes	Yes	Yes
1099	5MVX751SH001		TRAY MPF B		1	Yes	Yes	Yes	Yes	Yes	Yes	Yes	Yes	Yes	Yes	Yes
1111	5MVM161DW001		BUSH PULLEY FEED		2	Yes	Yes	Yes	Yes	Yes	Yes	Yes	Yes	Yes	Yes	Yes
1A01	5AAY3010E+45		REGIST KIT	1	1	Yes	Yes	Yes	Yes	Yes	Yes	Yes	Yes	Yes	Yes	Yes
1A02	5AAY3010E+40		BOTTOM MPF ASSY		1	Yes	Yes	Yes	Yes	Yes	Yes	Yes	Yes	Yes	Yes	Yes
2002	5AAPRCZC2007AH		P.W.BOARD ASSY, ENGINE (KP-781)	1	1	Yes	Yes	Yes	Yes	Yes	Yes	Yes	No	Yes	Yes	No
2002	5AAPRCZC2007BH		P.W.BOARD ASSY, ENGINE (KP-781)	1	1	No	No	No	No	No	No	No	Yes	No	No	Yes
2002	ISPA49E++024		P.W.POARD ASSY, ENGINE (KP-781)	1	1	No	No	No	No	No	No	No	No	No	No	No
2003	5AAPRCZC1008AH		P.W.BOARD ASSY, ENGINE (KP-781)	1	1	Yes	Yes	Yes	Yes	Yes	Yes	Yes	Yes	Yes	Yes	Yes
2008	5AACCNRL7GEA		CONN.CORD ASSY		1	Yes	Yes	Yes	Yes	Yes	Yes	Yes	Yes	Yes	Yes	Yes
2009	5AACCNRM1GEA		CONN.CORD ASSY		1	Yes	Yes	Yes	Yes	Yes	Yes	Yes	Yes	Yes	Yes	Yes
2010	5AACCNRM2GEA		CONN.CORD ASSY		1	Yes	Yes	Yes	Yes	Yes	Yes	Yes	Yes	Yes	Yes	Yes
2011	5AACCNRL0GEA		CONN.CORD ASSY		1	Yes	Yes	Yes	Yes	Yes	Yes	Yes	Yes	Yes	Yes	Yes
2012	5AACCNRL1GEA		CONN.CORD ASSY		1	Yes	Yes	Yes	Yes	Yes	Yes	Yes	Yes	Yes	Yes	Yes
2013	5MMB775SL013		BOX CONTROLLER		1	Yes	Yes	Yes	Yes	Yes	Yes	Yes	Yes	Yes	Yes	Yes
2015	5MMS636SD009		PLATE OPTION		1	Yes	Yes	Yes	Yes	Yes	Yes	Yes	Yes	Yes	Yes	Yes

REF.	PART CODE	ALT. CODE	DESCRIPTION	ISP	USED	KEE	KEU	KEF	KEIS	KEA	KMTH	KMSG	TWN	TN	HKG	PHN	KMA
2016	5AAPRLGC2021AH		P.W.BOARD ASSY, MAIN (KP-780)	1	1	Yes	Yes	Yes	Yes	Yes	Yes	Yes	Yes	Yes	Yes	Yes	Yes
2017	5MMX773SL001		PLATE SW REG		1	Yes	Yes	Yes	Yes	Yes	Yes	Yes	Yes	Yes	Yes	Yes	Yes
2018	5MVS765KF001		SHEET SW REG		1	Yes	Yes	Yes	Yes	Yes	Yes	Yes	Yes	Yes	Yes	Yes	Yes
2019	5AAEZ3010E+1	5AAEZ3010E+2	SWITCHING REGULATOR(E)	240V	1	1	Yes	Yes	Yes	Yes	Yes	Yes	No	No	Yes	Yes	No
2019	5AAEZ3010U+1		SWITCHING REGULATOR(U)	120V	1	1	No	No	No	No	No	No	Yes	Yes	No	No	Yes
3001	5AAXMT047GEA		MOTOR MAIN		1	1	Yes	Yes	Yes	Yes	Yes	Yes	Yes	Yes	Yes	Yes	Yes
3002	5MMX776SL005		PLATE DRIVE		1	Yes	Yes	Yes	Yes	Yes	Yes	Yes	Yes	Yes	Yes	Yes	Yes
3003	5MVG168DN017		GEAR Z68H-Z21H		1	Yes	Yes	Yes	Yes	Yes	Yes	Yes	Yes	Yes	Yes	Yes	Yes
3004	5MVG159DN012		GEAR Z48H-Z21H		1	Yes	Yes	Yes	Yes	Yes	Yes	Yes	Yes	Yes	Yes	Yes	Yes
3005	5MVG148DN044		GEAR Z40H		1	Yes	Yes	Yes	Yes	Yes	Yes	Yes	Yes	Yes	Yes	Yes	Yes
3006	5MVG169DN032		GEAR Z95H-Z21H		1	Yes	Yes	Yes	Yes	Yes	Yes	Yes	Yes	Yes	Yes	Yes	Yes
3007	5MVG169DN033		GEAR Z53H		1	Yes	Yes	Yes	Yes	Yes	Yes	Yes	Yes	Yes	Yes	Yes	Yes
3008	5MVG138DN042		GEAR Z24H		1	Yes	Yes	Yes	Yes	Yes	Yes	Yes	Yes	Yes	Yes	Yes	Yes
3009	5MVG137DN029		GEAR Z21H		1	Yes	Yes	Yes	Yes	Yes	Yes	Yes	Yes	Yes	Yes	Yes	Yes
3010	5MVG148DN050		GEAR Z36H-Z21H		1	Yes	Yes	Yes	Yes	Yes	Yes	Yes	Yes	Yes	Yes	Yes	Yes
3011	5MMX521LD005		PLATE EARTH DRUM		1	Yes	Yes	Yes	Yes	Yes	Yes	Yes	Yes	Yes	Yes	Yes	Yes
3012	5EZSA2402410301		SOLENOID FEED		1	1	Yes	Yes	Yes	Yes	Yes	Yes	Yes	Yes	Yes	Yes	Yes
3013	5EZSA2402410401		SOLENOID REGIST		1	1	Yes	Yes	Yes	Yes	Yes	Yes	Yes	Yes	Yes	Yes	Yes
3014	5EZSA2402410501		SOLENOID MPF		1	1	Yes	Yes	Yes	Yes	Yes	Yes	Yes	Yes	Yes	Yes	Yes
4001	5MVB876CB003		FRAME MIDDLE		1	Yes	Yes	Yes	Yes	Yes	Yes	Yes	Yes	Yes	Yes	Yes	Yes
4002	5MMX875SL005		PLATE LSU		1	Yes	Yes	Yes	Yes	Yes	Yes	Yes	Yes	Yes	Yes	Yes	Yes
4003	5MVQ711GX004		MIRROR EXIT		1	Yes	Yes	Yes	Yes	Yes	Yes	Yes	Yes	Yes	Yes	Yes	Yes
4005	5MVX721SB004		SHUTTER LSU		1	Yes	Yes	Yes	Yes	Yes	Yes	Yes	Yes	Yes	Yes	Yes	Yes
4006	5AAY3010E+26		FULL SENSOR ASSY		1	1	Yes	Yes	Yes	Yes	Yes	Yes	Yes	Yes	Yes	Yes	Yes
4007	5MMX221LD024		SPRING MIRROR		2	Yes	Yes	Yes	Yes	Yes	Yes	Yes	Yes	Yes	Yes	Yes	Yes
4009	5MMW341LD006		SPRING SHUTTER LSU		1	Yes	Yes	Yes	Yes	Yes	Yes	Yes	Yes	Yes	Yes	Yes	Yes
4010	5MMW261LD040		SPRING FULL SENSOR		1	Yes	Yes	Yes	Yes	Yes	Yes	Yes	Yes	Yes	Yes	Yes	Yes
4011	5MVVL661WN34		LABEL LASER CAUTION		1	Yes	Yes	Yes	Yes	Yes	Yes	Yes	Yes	Yes	Yes	Yes	Yes
4013	5AAPREL1001AH		P.W.BOARD ASSY, ERASE KP-790		1	1	Yes	Yes	Yes	Yes	Yes	Yes	Yes	Yes	Yes	Yes	Yes
4021	5MVS319RF004		SEAL LSU D		1	Yes	Yes	Yes	Yes	Yes	Yes	Yes	Yes	Yes	Yes	Yes	Yes
5019	5MVX331PH001		CAP MCH		1	Yes	Yes	Yes	Yes	Yes	Yes	Yes	Yes	Yes	Yes	Yes	Yes
5034	5MMX632LD006		CONTACT MAIN		1	Yes	Yes	Yes	Yes	Yes	Yes	Yes	Yes	Yes	Yes	Yes	Yes
5A01	5AAY3010E+52		BLADE KIT		1	Yes	Yes	Yes	Yes	Yes	Yes	Yes	Yes	Yes	Yes	Yes	Yes
5A02	5AAY3010E+53		COVER DRUM R2 KIT		1	Yes	Yes	Yes	Yes	Yes	Yes	Yes	Yes	Yes	Yes	Yes	Yes
5A03	5AAY3010E+54		COVER DRUM L2 KIT		1	Yes	Yes	Yes	Yes	Yes	Yes	Yes	Yes	Yes	Yes	Yes	Yes
7001	5MVX876KB004		FRAME FUSER LOW		1	Yes	Yes	Yes	Yes	Yes	Yes	Yes	Yes	Yes	Yes	Yes	Yes
7004	5MMT876SN075		ROLLER PRESS		1	Yes	Yes	Yes	Yes	Yes	Yes	Yes	Yes	Yes	Yes	Yes	Yes
7005	5MVX221XN003		BUSH PRESS		2	Yes	Yes	Yes	Yes	Yes	Yes	Yes	Yes	Yes	Yes	Yes	Yes
7006	5MMW261LD037		SPRING PRESS		2	Yes	Yes	Yes	Yes	Yes	Yes	Yes	Yes	Yes	Yes	Yes	Yes
7007	5MVG127DN070		GEAR IDLE Z18		1	Yes	Yes	Yes	Yes	Yes	Yes	Yes	Yes	Yes	Yes	Yes	Yes
7008	5MVG137DN031		GEAR EXIT Z23		1	Yes	Yes	Yes	Yes	Yes	Yes	Yes	Yes	Yes	Yes	Yes	Yes
7009	5MMX665LD004		PLATE EARTH FUSER		1	Yes	Yes	Yes	Yes	Yes	Yes	Yes	Yes	Yes	Yes	Yes	Yes
7010	5MVX731CB002		ACTUATOR FUSER A		1	Yes	Yes	Yes	Yes	Yes	Yes	Yes	Yes	Yes	Yes	Yes	Yes
7011	5MMW261LD017		SPRING ACTUATOR		1	Yes	Yes	Yes	Yes	Yes	Yes	Yes	Yes	Yes	Yes	Yes	Yes
7012	5MMT774SN001		ROLLER EXIT LOW		1	Yes	Yes	Yes	Yes	Yes	Yes	Yes	Yes	Yes	Yes	Yes	Yes

REF.	PART CODE	ALT. CODE	DESCRIPTION	ISP	USEDKEE	KEU	KEF	KEIS	KEA	KMTH	KMSG	TWN	TN	HKG	PHN	KMA
7013	5MVX211DB016		BUSH EXIT		1	Yes	Yes	Yes	Yes	Yes	Yes	Yes	Yes	Yes	Yes	Yes
7014	5MVVL731WN14		LABEL FUSER CAUTION		1	Yes	Yes	Yes	Yes	Yes	Yes	Yes	Yes	Yes	Yes	Yes
7015	5MVB863KB003		FRAME FUSER UP		1	Yes	Yes	Yes	Yes	Yes	Yes	Yes	Yes	Yes	Yes	Yes
7016	5MMT876AX001		ROLLER HEAT		1	Yes	Yes	Yes	Yes	Yes	Yes	Yes	Yes	Yes	Yes	Yes
7017	5MVM188XN015		BUSH HEAT R		1	Yes	Yes	Yes	Yes	Yes	Yes	Yes	Yes	Yes	Yes	Yes
7018	5MVM188XN016		BUSH HEAT L		1	Yes	Yes	Yes	Yes	Yes	Yes	Yes	Yes	Yes	Yes	Yes
7019	5EZPB2411920201		HEATER LAMP (E)	240V	1	1	Yes	Yes	Yes	Yes	Yes	No	No	Yes	Yes	No
7019	5EZPB1213820201		HEATER LAMP (U)	120V	1	1	No	No	No	No	No	Yes	Yes	No	No	Yes
7021	5AACCNRL4GEA		CONN.CORD ASSY	E	1	Yes	Yes	Yes	Yes	Yes	Yes	No	No	Yes	Yes	No
7021	5AACCNRL5GEA		CONN.CORD ASSY	U	1	No	No	No	No	No	No	Yes	Yes	No	No	Yes
7023	5AAXTM014GEA		THERMISTOR ASSY		1	1	Yes	Yes	Yes	Yes	Yes	Yes	Yes	Yes	Yes	Yes
7024	5EYFFQ15001**02		THERMO CUT OUT		1	1	Yes	Yes	Yes	Yes	Yes	Yes	Yes	Yes	Yes	Yes
7024	5EYFFQ16002Q+01		THERMO CUT OUT		1	1	Yes	Yes	Yes	Yes	Yes	Yes	Yes	Yes	Yes	Yes
7025	5MVX222XN002		SEPARATOR		4	Yes	Yes	Yes	Yes	Yes	Yes	Yes	Yes	Yes	Yes	Yes
7026	5MMW261LD015		SPRING SEPARATOR		4	Yes	Yes	Yes	Yes	Yes	Yes	Yes	Yes	Yes	Yes	Yes
7027	5MVG148XN008		GEAR HEAT Z33		1	Yes	Yes	Yes	Yes	Yes	Yes	Yes	Yes	Yes	Yes	Yes
7028	5MVG148XN009		GEAR IDLE Z34		1	Yes	Yes	Yes	Yes	Yes	Yes	Yes	Yes	Yes	Yes	Yes
7029	5MML531RD001		HOLDER LAMP A		1	Yes	Yes	Yes	Yes	Yes	Yes	Yes	Yes	Yes	Yes	Yes
7030	5MML211RD002		HOLDER LAMP B		1	Yes	Yes	Yes	Yes	Yes	Yes	Yes	Yes	Yes	Yes	Yes
7031	5MVM273DB005		PULLEY EXIT		2	Yes	Yes	Yes	Yes	Yes	Yes	Yes	Yes	Yes	Yes	Yes
7032	5MMW601LD011		SPRING PULLEY		2	Yes	Yes	Yes	Yes	Yes	Yes	Yes	Yes	Yes	Yes	Yes
8001	5MVB886SH063		BASE CASSETTE		1	Yes	Yes	Yes	Yes	Yes	Yes	Yes	Yes	Yes	Yes	Yes
8004	5MMS856SL001		PLATE BOTTOM		1	Yes	Yes	Yes	Yes	Yes	Yes	Yes	Yes	Yes	Yes	Yes
8005	5MMW552LD002		SPRING CASSETTE		2	Yes	Yes	Yes	Yes	Yes	Yes	Yes	Yes	Yes	Yes	Yes
8006	5MVX765SH002		GUIDE SIDE R		1	Yes	Yes	Yes	Yes	Yes	Yes	Yes	Yes	Yes	Yes	Yes
8007	5MVX765SH003		GUIDE SIDE L		1	Yes	Yes	Yes	Yes	Yes	Yes	Yes	Yes	Yes	Yes	Yes
8008	5MVX664SH003		STOPPER PAPER		1	Yes	Yes	Yes	Yes	Yes	Yes	Yes	Yes	Yes	Yes	Yes
8009	5MVX541DG003		LEVER SIDE		1	Yes	Yes	Yes	Yes	Yes	Yes	Yes	Yes	Yes	Yes	Yes
8010	5MVX541DG002		LEVER REAR		1	Yes	Yes	Yes	Yes	Yes	Yes	Yes	Yes	Yes	Yes	Yes
8011	5MVG127DN071		GEAR CASSETTE		1	Yes	Yes	Yes	Yes	Yes	Yes	Yes	Yes	Yes	Yes	Yes
8015	5MMW251LD047		SPRING SEPARATOR C		1	Yes	Yes	Yes	Yes	Yes	Yes	Yes	Yes	Yes	Yes	Yes
8016	5MVX431DW001		LOCK CASSETTE R		1	Yes	Yes	Yes	Yes	Yes	Yes	Yes	Yes	Yes	Yes	Yes
8017	5MVX431DW002		LOCK CASSETTE L		1	Yes	Yes	Yes	Yes	Yes	Yes	Yes	Yes	Yes	Yes	Yes
8018	5MMW251LD045		SPRING LOCK		2	Yes	Yes	Yes	Yes	Yes	Yes	Yes	Yes	Yes	Yes	Yes
8019	5MMP141LD003		PLATE STOPPER		1	Yes	Yes	Yes	Yes	Yes	Yes	Yes	Yes	Yes	Yes	Yes
8020	5MMP141LD002		PLATE SIDE GUIDE		1	Yes	Yes	Yes	Yes	Yes	Yes	Yes	Yes	Yes	Yes	Yes
8021	5MMW171LD006		SPRING STOPPER		1	Yes	Yes	Yes	Yes	Yes	Yes	Yes	Yes	Yes	Yes	Yes
8A01	5AAVB0TOM009	5AAY3010E+49	BOTTOM CASSETTE KIT		1	Yes	Yes	Yes	Yes	Yes	Yes	Yes	Yes	Yes	Yes	Yes
8A02	5AAVSEPR013	5AAY3010E+50	SEPARATOR KIT		1	Yes	Yes	Yes	Yes	Yes	Yes	Yes	Yes	Yes	Yes	Yes
A-002	5AACAC428EEA		AC CORD ASSY		1	Yes	No	Yes	Yes	No	Yes	No	No	No	Yes	No
A-002	5AACAC458BSA		AC CORD ASSY		1	No	Yes	No	No	No	Yes	No	No	No	No	No
A-002	5AACAC404ASA		AC CORD ASSY		1	No	No	No	No	No	No	No	No	No	No	No
A-002	5AACAC393ULA		AC CORD ASSY		1	No	No	No	No	No	No	Yes	Yes	No	No	Yes
A-003	5AAMDK5P**01		CLEANING KIT C		1	Yes	Yes	Yes	Yes	Yes	Yes	Yes	Yes	Yes	Yes	Yes
P-001	5AAK3010E+02		PACKING ASSY	E	1	Yes	Yes	Yes	Yes	Yes	Yes	No	No	Yes	Yes	No



REF.	PART CODE	ALT. CODE	DESCRIPTION	ISP	USEDKEE	KEU	KEF	KEIS	KEA	KMTH	KMSG	TWN	TN	HKG	PHN	KMA
P-001	5AAK3010U+01		PACKING ASSY	U	1	No	No	No	No	No	No	Yes	Yes	No	No	Yes
P-002	5KKS3010E+01		OUTER CARTON	E	1	Yes	Yes	Yes	Yes	Yes	Yes	No	No	Yes	Yes	No
P-002	5KKS3010U+01		OUTER CARTON	U	1	No	No	No	No	No	No	Yes	Yes	No	No	Yes
P-002	ISPA49E++026		OUTER CARTON	TWN	1	No	No	No	No	No	No	No	No	No	No	No
P-002	ISPA49E++027		OUTER CARTON	TN	1	No	No	No	No	No	No	No	No	No	No	No
P-003	5KKA3010E+01		TOP PAD L		2	Yes	Yes	Yes	Yes	Yes	Yes	Yes	Yes	Yes	Yes	Yes
P-004	5KKA3010E+02		TOP PAD R		2	Yes	Yes	Yes	Yes	Yes	Yes	Yes	Yes	Yes	Yes	Yes
P-005	5KKA3010E+03		BOTTOM PAD L		2	Yes	Yes	Yes	Yes	Yes	Yes	Yes	Yes	Yes	Yes	Yes
P-006	5KKA3010E+04		BOTTOM PAD R		2	Yes	Yes	Yes	Yes	Yes	Yes	Yes	Yes	Yes	Yes	Yes
P-007	5KKA3010E+05		PAD BL		2	Yes	Yes	Yes	Yes	Yes	Yes	Yes	Yes	Yes	Yes	Yes
P-008	5KKA3010E+06		PAD BR		2	Yes	Yes	Yes	Yes	Yes	Yes	Yes	Yes	Yes	Yes	Yes
P-009	5KKA3010E+07		TONER PAD		2	Yes	Yes	Yes	Yes	Yes	Yes	Yes	Yes	Yes	Yes	Yes
P-010	5KKA3010E+08		CORD PAD		2	Yes	Yes	Yes	Yes	Yes	Yes	Yes	Yes	Yes	Yes	Yes
P-011	5KKF656260B4		POLY BAG		1	Yes	Yes	Yes	Yes	Yes	Yes	Yes	Yes	Yes	Yes	Yes
P-012	5KKF153800A4		POLY BAG		1	Yes	Yes	Yes	Yes	Yes	Yes	Yes	Yes	Yes	Yes	Yes
PWBA/D	5AAPRMEG2011BQ		P.W.B. ASSY KP-854, MASK DIMM		1	1	Yes	Yes	Yes	Yes	Yes	Yes	Yes	Yes	Yes	Yes
PWBA/D	5AAPRMEG4022HQ		P.W.B. ASSY KP-710, FLASH DIMM		1	1	Yes	Yes	Yes	Yes	Yes	Yes	Yes	Yes	Yes	Yes