



IMPRIMANTE PAGE

FS-1600 / FS-1600+



NOMENCLATURE

23-11-1998

FS-1600 / FS-1600+ Pièces détachées

Table des matières

Capots (Fig.1).....	3
Structure (Fig.2).....	5
Mécanique (Fig.3).....	7
Contrôleur (Fig.4).....	9
Entrainement papier (Fig.5).....	11
Unité de fusion (Fig.6).....	14
Unité de sortie (Fig.7).....	17
Tambour (Fig.8).....	19
Unité de LED (Fig.9).....	22
Unité de développement (Fig.10).....	24

Introduction

Les figures qui suivent représentent l'assemblage de l'imprimante ou des options, par sous-ensembles.

Les informations suivantes sont indiquées après chaque pièce :

N°	N° de la pièce dans l'éclaté
Référence.....	Référence de la pièce
Description	Description de la pièce (en anglais)

Seules les pièces en caractères GRAS peuvent être commandées.

Toutes les autres pièces sont mentionnées à titre indicatif et ne sont pas disponibles.

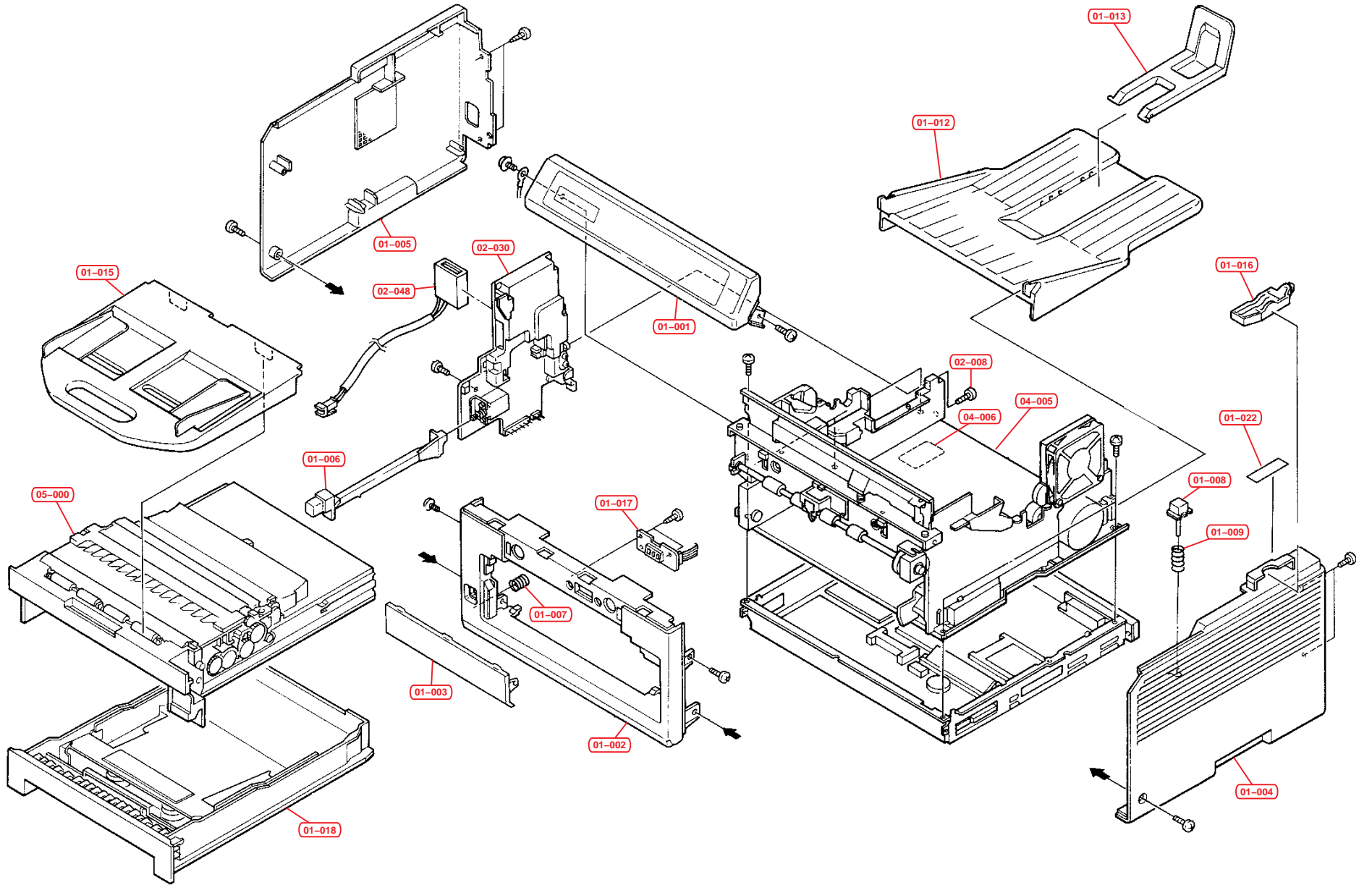
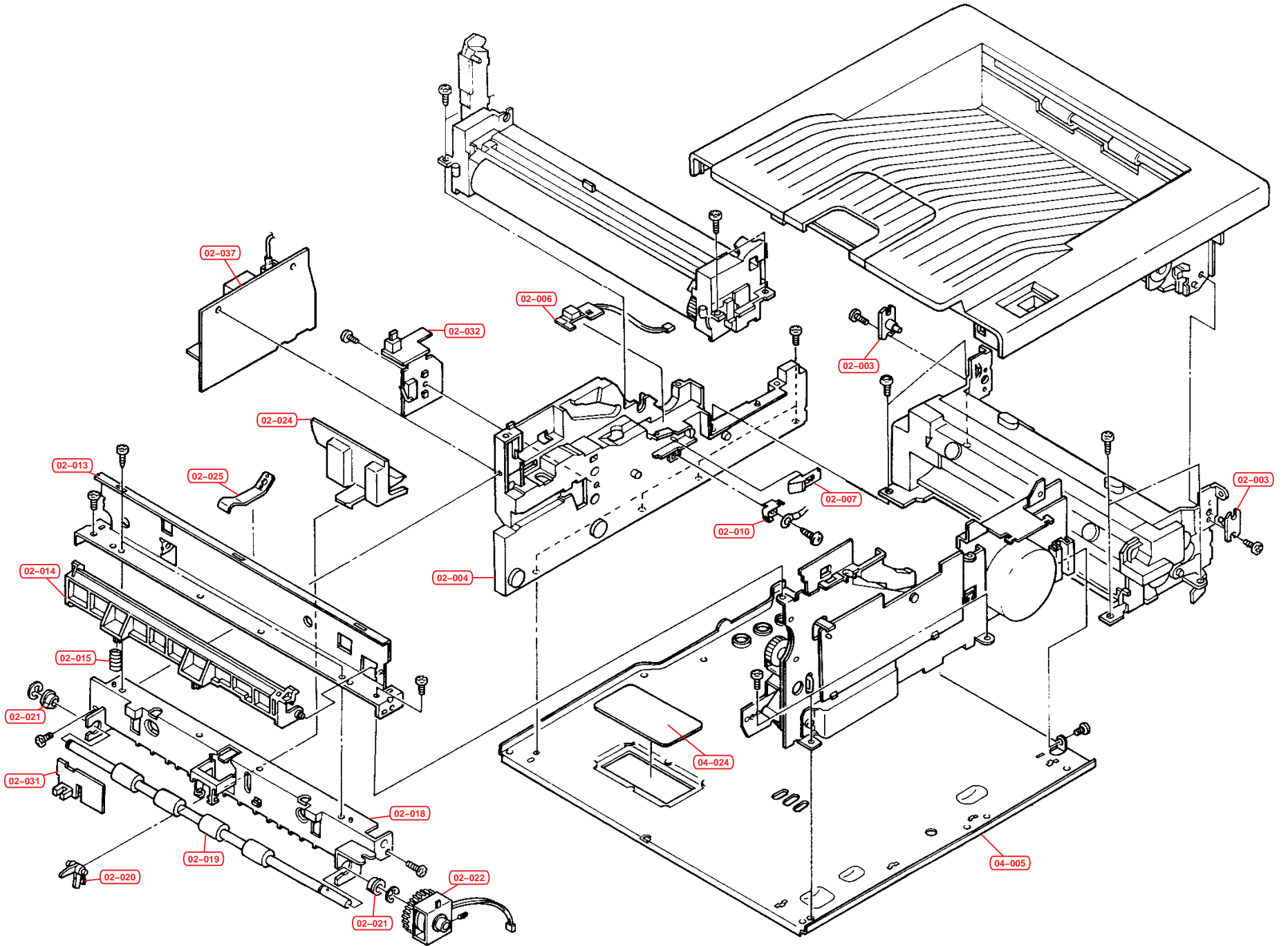


Fig.1 – Capots

N°	Référence	Description
01-001	AFZ1550E*1	KEY BOARD ASSY(FS-1600)
01-001	AFZ1600NE2	KEY BOARD ASSY(FS-1600+)
01-002	VB886SH041	COVER FRONT A
01-003	VX852SH003	LID COVER FRONT
01-004	VB886SH035	COVER RIGHT
01-005	VB886SH046	COVER LEFT
01-006	VX842SH003	ROD SW POWER
01-007	MW361LD006	SPRING POWER
01-008	VM276SB002	CAP PRESS COVER
01-009	MW361LD005	SPRING PRESS COVER
01-010	VVS1600E*1	SER. NO. PLATE
01-012	VX885SH003	TRAY FACE UP
01-013	VL664SH001	STOPPER PAPER FU
01-014	VS668SH005	STOPPER PAPER FD
01-015	AVTRAY*003	MANUAL TRAY ASSY
01-016	AVCLEAN037	CLEANER ASSY
01-017	APRZZG2010AH	PW BOARD ASSY (ENV)
01-018	PC7-A4	CASSETTE A4 ASSY
01-022	VVL411WN21	LABEL CLEANER

Fig.2 – Structure



N°	Référence	Description
02-002	MU211SD007	CASE STOPPER
02-003	MF265SN001	PIN HINGE
02-004	AY1550E*34	FRAME LEFT
02-005	VX221CB003	HOLDER THERMISTOR
02-006	AXTM007GEA	THERMISTOR ASSY
02-007	MU411LD001	PLATE RECEPTACLE A
02-008	AXRD012GEA	HIGH MEG R ASSY
02-010	MU311LD002	PLATE EARTH SPRING
02-013	MX864SL009	CHANNEL FRONT UP
02-014	VX843SB003	LATCH COVER
02-015	MW261LD007	SPRING LATCH
02-018	VX866SH009	CHANNEL FRONT LOW
02-019	MT876SN039	ROLLER MANUAL UP C
02-020	VX322SB012	ACTUATOR MANUAL
02-021	VM176DN009	BEARING
02-022	YYAFAAQ01**02	CLUTCH FEED
02-024	VX644SG001	LOCK DLP
02-025	MX332LD006	PLATE DLP
02-026	ACCNNP4GEA	CONN CORD S00954
02-029	ACCNHY2GEA	LEFT FRAME S00557
02-030	APRPWC1004AH	PW BOARD ASSY (240V)
02-031	APRSSC1006DH	PW BOARD ASSY
02-032	APRSSC1010AH	PW BOARD ASSY
02-037	AXTR034VDA	TRANS ASSY
02-038	ML121LD003	PLATE EARTH EF
02-040	ACCNNN0GEA	CONN. CORD
02-042	ACCNNG4GEA	CONN CORD S00934
02-043	ACCNNK9GEA	CONN CORD S00947
02-044	VS321KF016	SHEET FRAME A
02-045	VS321KF017	SHEET FRAME B
02-047	VS322EF001	SEAL THERMISTOR
02-048	AXCB001GEA	COUNTER ASSY
02-052	VS331KC003	SHEET EF
	AY1550E*35	FRONT FRAME UNIT ASSY

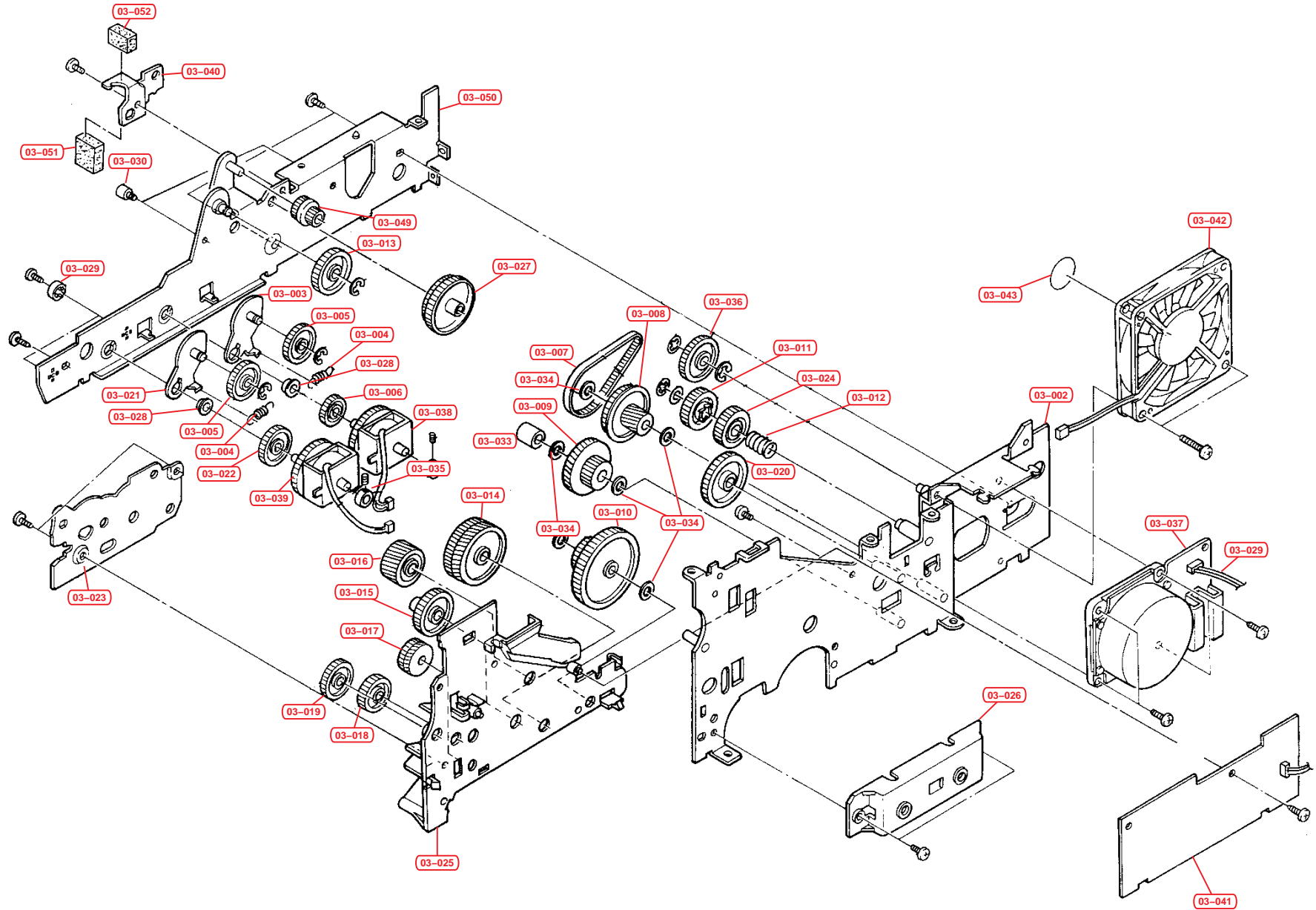
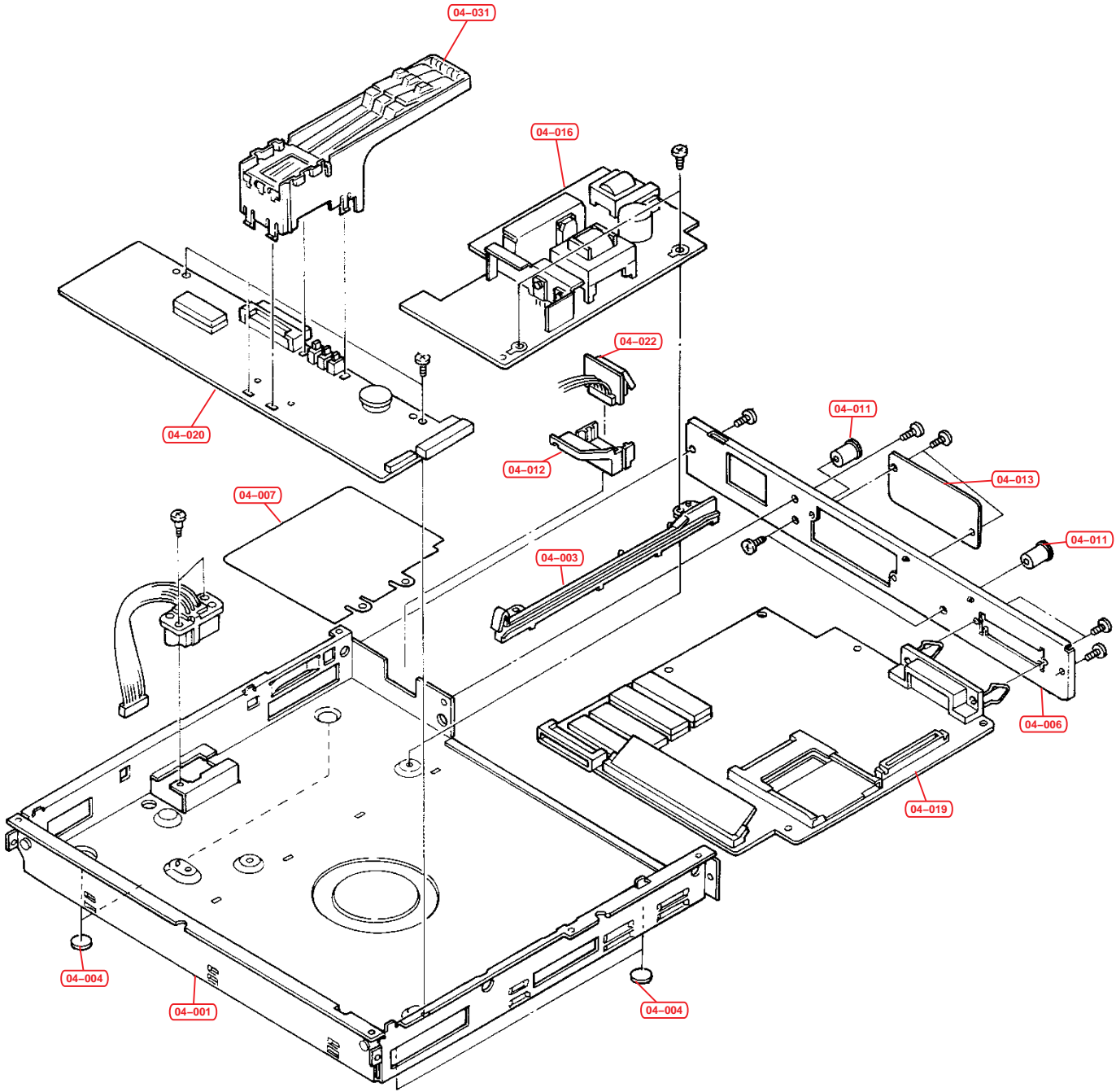


Fig.3 – Mécanique

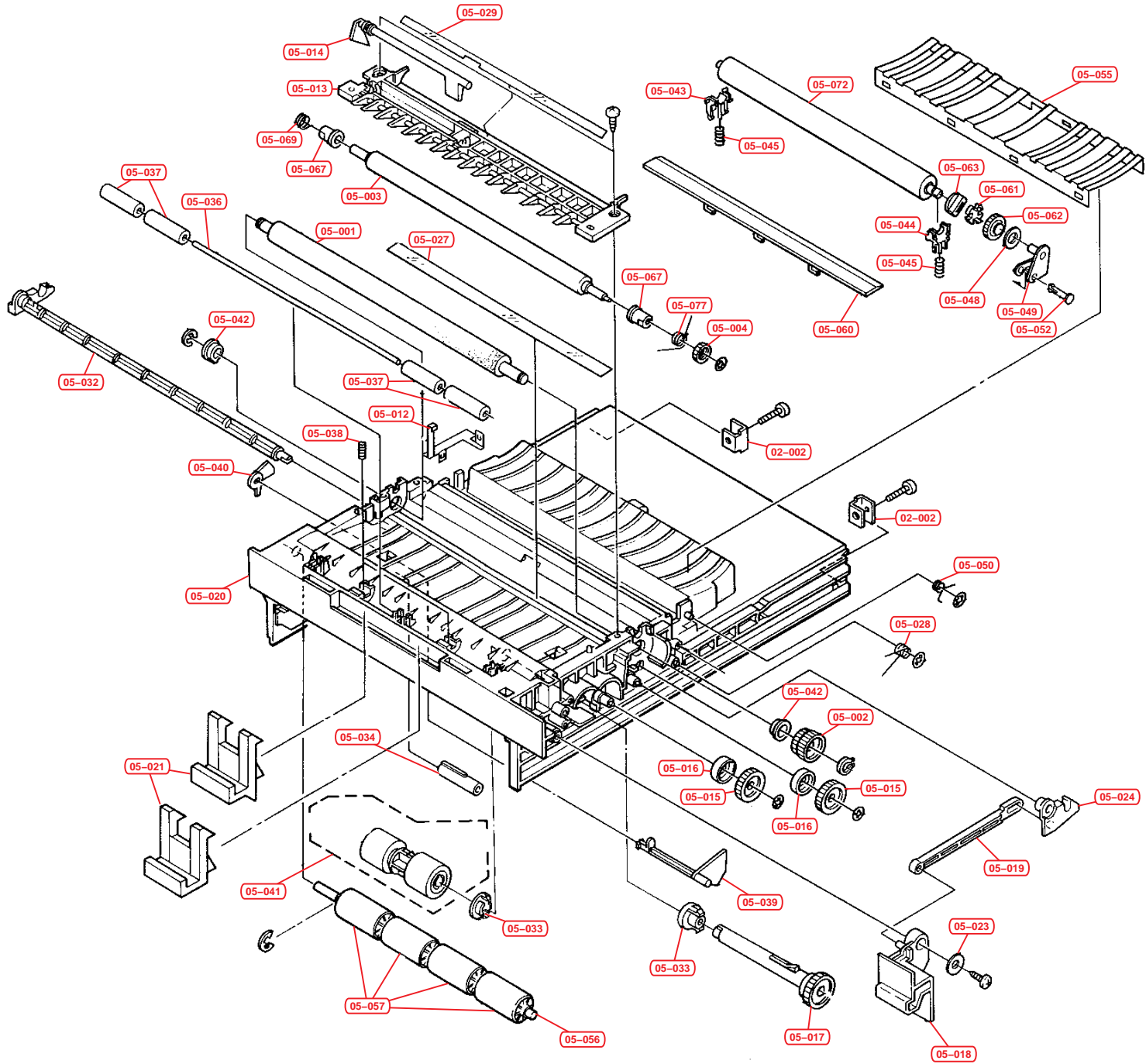
N°	Référence	Description
03-000	AY1550E*03	DRIVE FRAME UNIT
03-002	MX873SL004	PLATE DRIVE B
03-003	MX532SL007	PALTE RE JOINT
03-004	MW261LD006	SPRING JOINT
03-005	VG138DB021	GEAR JOINT Z28
03-006	VG137DB024	GEAR CLUTH Z22
03-007	VM190RB018	BELT DRIVE
03-008	AVGEAR*024	GEAR P60-H20 ASSY
03-009	AVGEAR*017	GEAR Z45H-Z24H ASSY
03-010	AVGEAR*018	GEAR Z59H-Z4H ASSY
03-011	VG138DB022	GEAR FREE Z27
03-012	MW361LD004	SPRING FREE
03-013	VG148DB019	GEAR DRUM Z34H
03-014	VG158DB010	GEAR RFG Z45H-Z45S
03-015	VG148DB025	GEAR IDLE Z40
03-016	VG138DB044	GEAR DLP Z28H
03-017	VG148DB026	GEAR FEED Z34H-Z34S
03-018	VG148DH001	GEAR IDLE Z33
03-019	VG137DB025	GEAR M FEED Z25
03-020	VG158DB011	GEAR Z25S-Z24H
03-021	MX532SL008	PLATE FE JOINT
03-022	VG138DB024	GEAR CLUTCH Z29
03-023	MS766SL007	PLATE DRIVE C
03-024	VG138DB040	GEAR FREE Z27H
03-025	VX773DB001	SPACER GEAR
03-026	VX632DB002	HOLDER CLUTCH
03-027	VG058DB003	GEAR IDLE H45-Z45
03-028	VM176DB008	BUSHING STOP
03-029	VM122DB002	PULLEY CASE
03-030	MT263SZ016	PIN STUD
03-033	VM166AN001	COLLAR
03-034	BWK61805NN	POLY SLIDER
03-035	MT565SN001	SHAFT CLUTCH
03-036	VG148XN004	GEAR FUSER Z34
03-037	AXMT017GEA	MOTOR MAIN
03-038	YYAFAAK01**03	CLUTCH REGIST
03-039	YYAFAAQ01**03	CLUTCH FEED
03-040	MX543SL004	PLATE DRIVE
03-041	APRIFC1004AH	P.W. BOARD ASSY
03-042	ZNF2402501*03	FAN MOTOR
03-043	VS662KF005	SEAL FAN
03-049	VG147DB009	GEAR TC Z24-Z32
03-050	MX863SL005	PLATE DRIVE A
03-051	VQ221RF018	SEAL FRAME R2
03-052	VQ221RF017	SEAL FRAME R1

Fig.4 – Contrôleur



N°	Référence	Description
04-001	AVBOX**001	BOX ASSY
04-003	VX732SL002	RAIL PWB MAIN
04-004	VM160RB025	FOOT
04-005	MS886SL008	LID CONTROLLER
04-006	MS846SL003	PANEL REAR
04-007	VS775CC001	SHEET PWB POWER
04-008	VS532KF002	SHEET TRANS
04-009	ML222SD005	HOLDER MAIN
04-011	VM266SB003	PULL KNOB
04-012	VB422SB003	BRACKET CONN F
04-013	MS646SD007	PLATE CONNECT 8N
04-015	ACCNHW6GEA	CONN. CORD S00541
04-016	AEZ1600E*1	SWITCHING REGULATOR (240V)
04-017	ACCNNF6GEA	CONN CORD S00926
04-018	ACCNNF7GEA	CONN CORD S00927
04-019	APRLGG4022AH	MAIN LOGIC PWB FS-1600
04-019	APRLGG4022EH	MAIN LOGIC PWB FS-1600+
04-020	APRCZR2002CH	ENGINE PWB FS-1600 (240V)
04-020	APRCZR2002SH	ENGINE PWB FS-1600+ (240V)
04-022	APRZZG4007AH	P.W. BOARD ASSY (FUX)
04-024	VS636VB003	SHEET ENGINE ROM
04-025	VS229XX001	SILICON SHEET L (240V)
04-026	VQ221XX001	SILICON SHEET S (240V)
04-027	VS621KF009	SHEET BOX
04-030	VQ611RX009	EMI GASKET
04-031	VX744DB001	ACTUATOR CASS SIZE

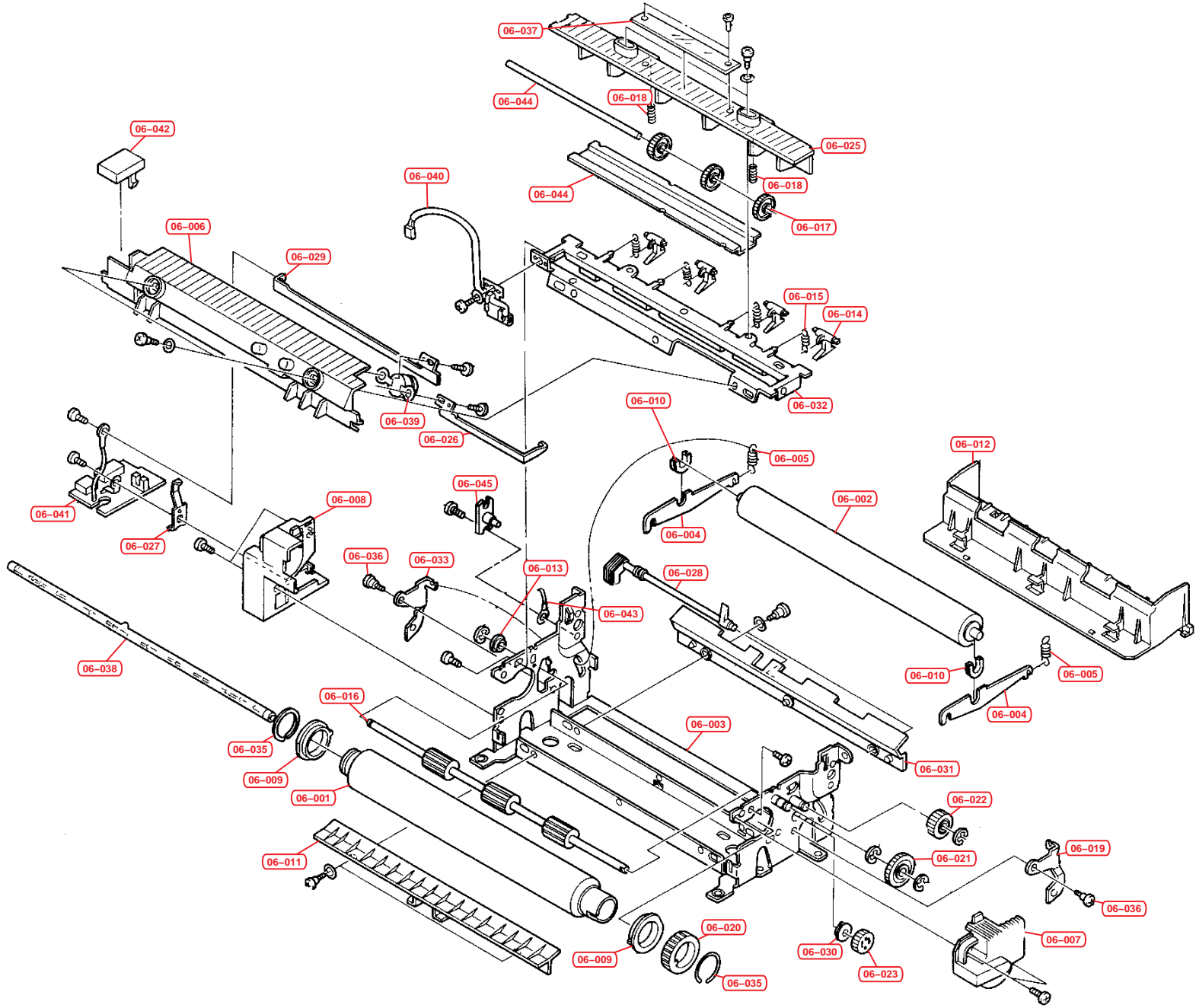
Fig.5 – Entraînement papier



N°	Référence	Description
05-000	AY1550E*04	FEED TRANS UNIT
05-001	MT876SN033	ROLLER REGIST A
05-002	VG137DB029	GEAR REGIST Z24-Z32
05-003	MT821SN002	ROLLER REGIST UP
05-004	VG137DB028	GEAR REGIST Z24
05-012	MX532LD004	PLATE EARTH CONTACT
05-013	VX852SH002	GUIDE PAPER A
05-014	VX722SH003	SENSOR DOC
05-015	VG138DB029	GEAR IDLE Z26
05-016	VM121DB001	COLLAR JOINT
05-017	VG038DB002	GEAR FEED Z27
05-018	VX655SX001	LEVER LOCK
05-019	VX711DB002	LINK LOCK
05-020	VB886SH033	LOWER CASE
05-021	VX322DN002	GUIDE PAPER B
05-023	BWK54E08SZ	FLAT S WASHER
05-024	VX431DB003	HINGE LOCK R
05-027	VS822KF006	SHEET REGIST C
05-028	MW167LD002	SPRING HING R
05-029	VS822KF003	SHEET REGIST A
05-032	VX842SB008	SHAFT RELEASE
05-033	VM177DB008	BUSH FEED
05-034	VM410DB001	HOLDER ROLLER FEED
05-036	MT733SN002	SHAFT MANUAL FEED
05-037	VM460DB001	ROLLER IDLE
05-038	MW255LD003	SPRING MANUAL
05-039	VX641CB001	ACTUATOR CASSETTE A
05-040	VX321SB012	ACTUATOR CASSETTE B
05-041	AVROLL*027	FEED ROLLER ASSY
05-042	VM122DB003	BUSH POM
05-043	VX322DB012	BUSH TRANSFER L
05-044	VX321DB009	BUSH TRANSFER R
05-045	MW354LD001	SPRING BUSH A
05-048	VM176DB007	COLLAR JOINT TR
05-049	MU222SD002	BRACKET JOINT GEAR
05-050	MW166LD006	SPRING BRACKET
05-052	MT243SZ005	PIN BRACKET A
05-054	MU862SD001	PLATE EARTH
05-055	MU862SZ012	PLATE EARTH
05-056	MT866SN019	SHAFT GUIDE
05-057	VM687DB001	ROLLER GUIDE
05-060	VX821CB002	GUIDE PAPER LOW
05-061	VM276DB007	COUPLING JOINT
05-062	VG132DB002	GEAR TC
05-063	VM176DB009	BUSH TRANSFER

N°	Référence	Description
05-067	VM210DB002	BUSH REGIST
05-069	MW172LD006	SPRING REGIST L
05-072	AY1500E*58	ROLLER TRANSFER ASSY
05-077	MW172LD007	SPRING REGIST R

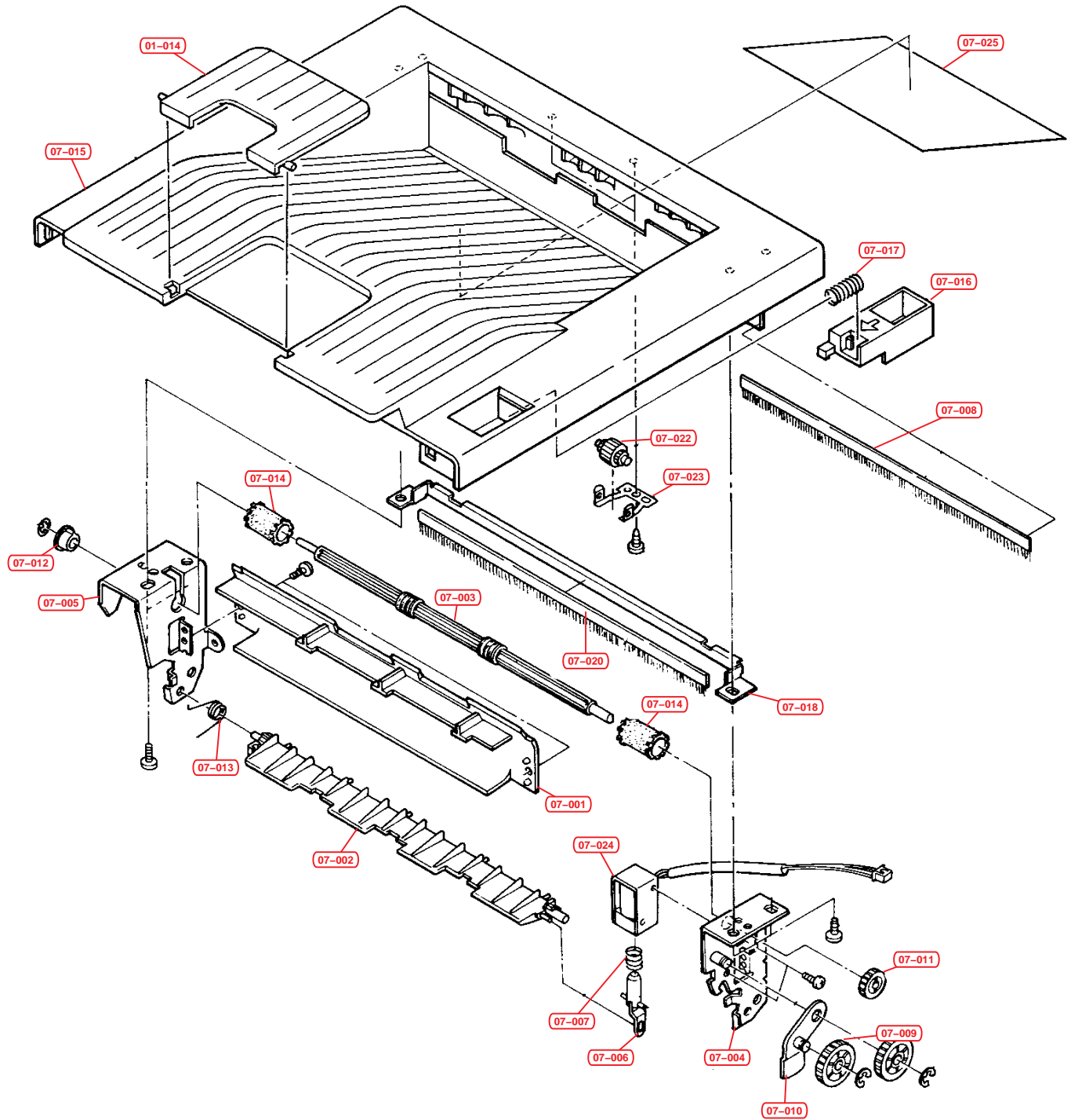
Fig.6 – Unité de fusion



N°	Référence	Description
06-000	FK-53	FUSER UNIT(5PLPZLYAPKE) 240V
06-001	MT888AX007	ROLLER HEAT
06-002	MT886SN009	ROLLER PRESS
06-003	MB866SL013	FRAME FUSER
06-004	MS627SL002	PLATE PRESS
06-005	MW251LD004	SPRING PRESS
06-006	VX842NB002	GUIDE THERMAL
06-007	VB653XB001	COVER FUSER R
06-008	VB663XB002	COVER FUSER L
06-009	VM188XN006	BUSHING HEAT C
06-010	VM166XN001	BUSHING PRESS
06-011	VX833XB002	GUIDE ENTRANCE
06-012	VX865SH001	GUIDE FU
06-013	VM176DB006	BUSHING POM
06-014	VX332XN003	SEPARATOR
06-015	MW241LD003	SPRING SEPARATOR
06-016	MT874SN003	ROLLER EXIT
06-017	VM174DB002	PULLEY EXIT
06-018	MW251LD016	SPRING PULLEY
06-019	MX542SL004	PLATE RELEASE R
06-020	VG148NN002	GEAR HEAT Z35
06-021	VG138XN004	GEAR JOINT Z26
06-022	VG137DB026	GEAR IDLE Z21
06-023	VG127DB018	GEAR EXIT Z16
06-025	VX833XB001	GUIDE EXIT UP
06-026	MX633RD001	HOLDER LAMP R
06-027	MX321RD005	HOLDER LAMP L
06-028	VX732CB001	ACTUATOR JAM
06-029	MX732RD002	PLATE CORD
06-030	MM176CJ005	BUSHING SBK
06-031	VX832XB001	GUIDE EXIT
06-032	MC852SL001	STAY FUSER
06-033	MX542SL003	PLATE RELEASE L
06-034	MT733SN001	SHAFT EXIT
06-035	MW172SB001	RING STOP
06-036	MT143SZ010	STUD SCREW SL
06-037	VVL721WN25	LABEL FUSER CAUTION
06-038	ZPB2412120102	LAMP HEATER (240V)
06-039	YFFQ16101**01	THERMOSTAT
06-040	AXTM008GEA	THERMISTOR ASSY
06-041	APRIFC1003CH	P.W. BOARD ASSY
06-042	VB322XB001	CAP FUSER
06-043	ACCN1N1GEA	CONN CORD S00951
06-044	MC831LD001	BRACKET FUSER

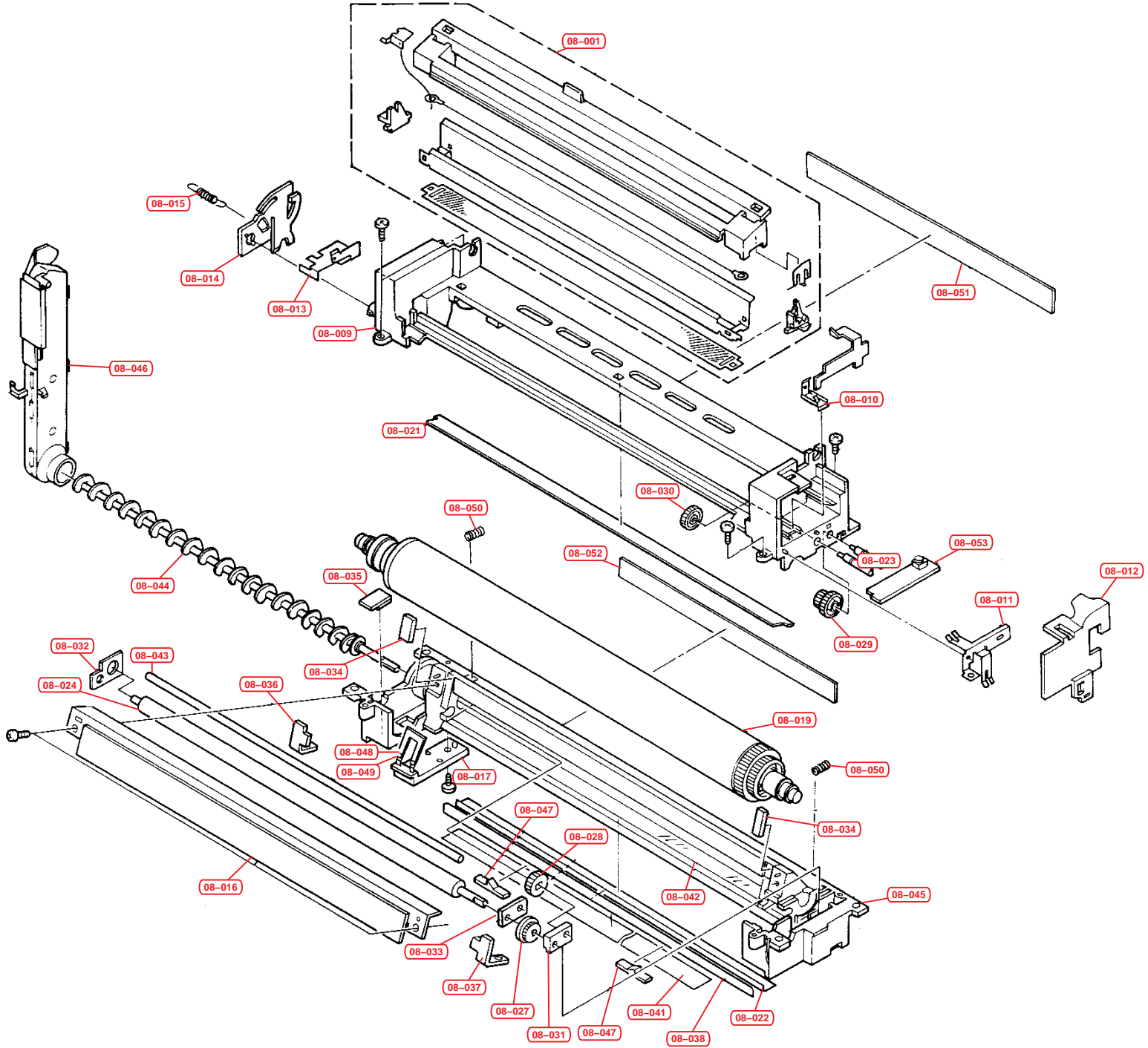
N°	Référence	Description
06-045	MF265SN001	PIN HINGE

Fig.7 – Unité de sortie



N°	Référence	Description
07-000	AY1550E*53	FACE DOWN UNIT
07-001	VX853SH001	GUIDE FD
07-002	VX831CB001	GUIDE CHANGE
07-003	VT873CB001	SHAFT FD
07-004	MX653SL008	PLATE HINGE R
07-005	MX663SL007	PLATE HINGE L
07-006	VX311DB006	ACTUATOR SOL
07-007	MW261LJ032	SPRING SOL
07-008	VS825XF001	BRUSH DISCHARGE
07-009	VG138DB020	GEAR FD Z30
07-010	MX632SL006	PLATE FD JOINT
07-011	VG127DB018	GEAR EXIT Z16
07-012	VM176DN009	BEARING
07-013	MW161LJ035	SPRING EARTH FD
07-014	VM320RB001	EXIT TIRE
07-015	VB887SH023	COVER TOP
07-016	VN260SH001	KNOB RELEASE
07-017	MW266LD002	SPRING KNOB
07-018	MX821SL001	PLATE BRUSH FD
07-019	MX821SL001	PLATE DISCHARG FD
07-020	VS825XF002	BUSH DISCHARGER FD
07-021	VM176SH003	CAP PRESS CS
07-022	VM273DB002	PULLEY FD
07-023	MX322LD007	BRACKET PULLEY FD
07-024	ZSA2401020304	SOLENOID TDS-KN07A
07-025	VVL732WN13	LABEL DIAGRAM
07-027	VM150RB008	RUBBER PIN
07-028	VS118RB017	CUSHION SOL

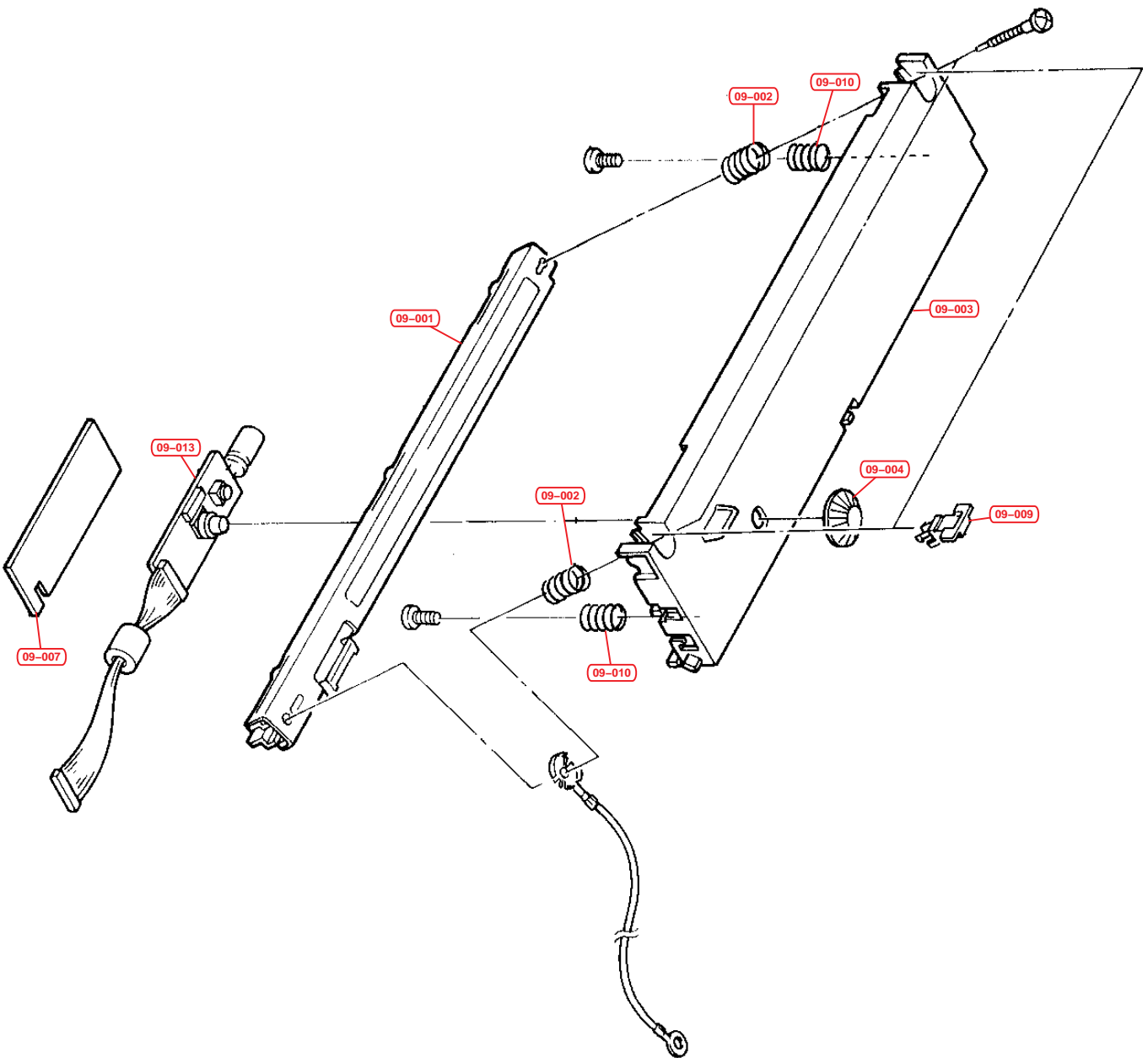
Fig.8 - Tambour



N°	Référence	Description
08-000	DK-53	DRUM UNIT(5PLPZLPAPKE) 240V
08-001	AY1550E*47	MCH ASSY
08-009	VB865CB004	FRAME DRUM UP
08-010	MX432LD004	PLATE ZENNER A
08-011	MX433LD003	PLATE ZENNER B
08-012	VL662SB002	COVER ZENNER
08-013	MZ322LD003	PLATE MCH
08-014	VL541SB002	CASE BELT HOLDER
08-015	MW254LD001	SPRING SHUTTER
08-016	AVBLADE025	BLADE ASSY
08-017	AVBRUSH032	CONTACT BRUSH L ASSY (240V)
08-019	AY1550E*40	DRUM ASSY (240V)
08-021	AXLD025GEA	LED ASSY
08-022	ML821LD004	BRACKET ASSY
08-023	MT343SN003	PIN IDLER C
08-024	MT864RN001	ROLL CLN
08-027	VG126DB023	GEAR ROLL Z18H
08-028	VG137DB030	GEAR SCREW Z24
08-029	VG137DB055	GEAR Z18S-Z30H
08-030	VG137DB032	GEAR Z24
08-031	VQ211DN001	BUSH CLN
08-032	VQ321DN001	BUSH LEFT
08-033	VQ321DN003	BUSH RIGHT
08-034	VS218RN010	SEAL BLADE
08-035	VS328LN001	SEAL RING LEFT
08-036	VS428LN006	SEAL DRUM LEFT
08-037	VS428LN002	SEAL DRUM RIGHT
08-038	VS811RN002	SHEET ROLL
08-040	VS812XN001	TAPE ADHESIVE
08-041	VS721KN008	SHEET DRUM LOW
08-042	VS823KN001	SHEET SCRAPER
08-043	VT860SB001	ROLL MAGIC
08-044	VT864CB001	SCREW
08-045	VX864CB001	FRAME DRUM LOW
08-046	AY1550E*42	CASE BELT ASSY
08-047	VX511CB001	GUIDE DRUM
08-048	VS226RF013	SHEET BRUSH A
08-049	VS222XF008	SHEET BRUSH B
08-050	MW241LD004	SPRING ROLL A
08-051	MS831AX001	HEAT SEAL C
08-052	MS811AX001	HEAT SEAL B
08-053	APRCZC1003AH	P.W. BOARD ASSY
08-054	VS812KN004	SHEET A
08-057	VS331XF003	SEAL PLATE MCH

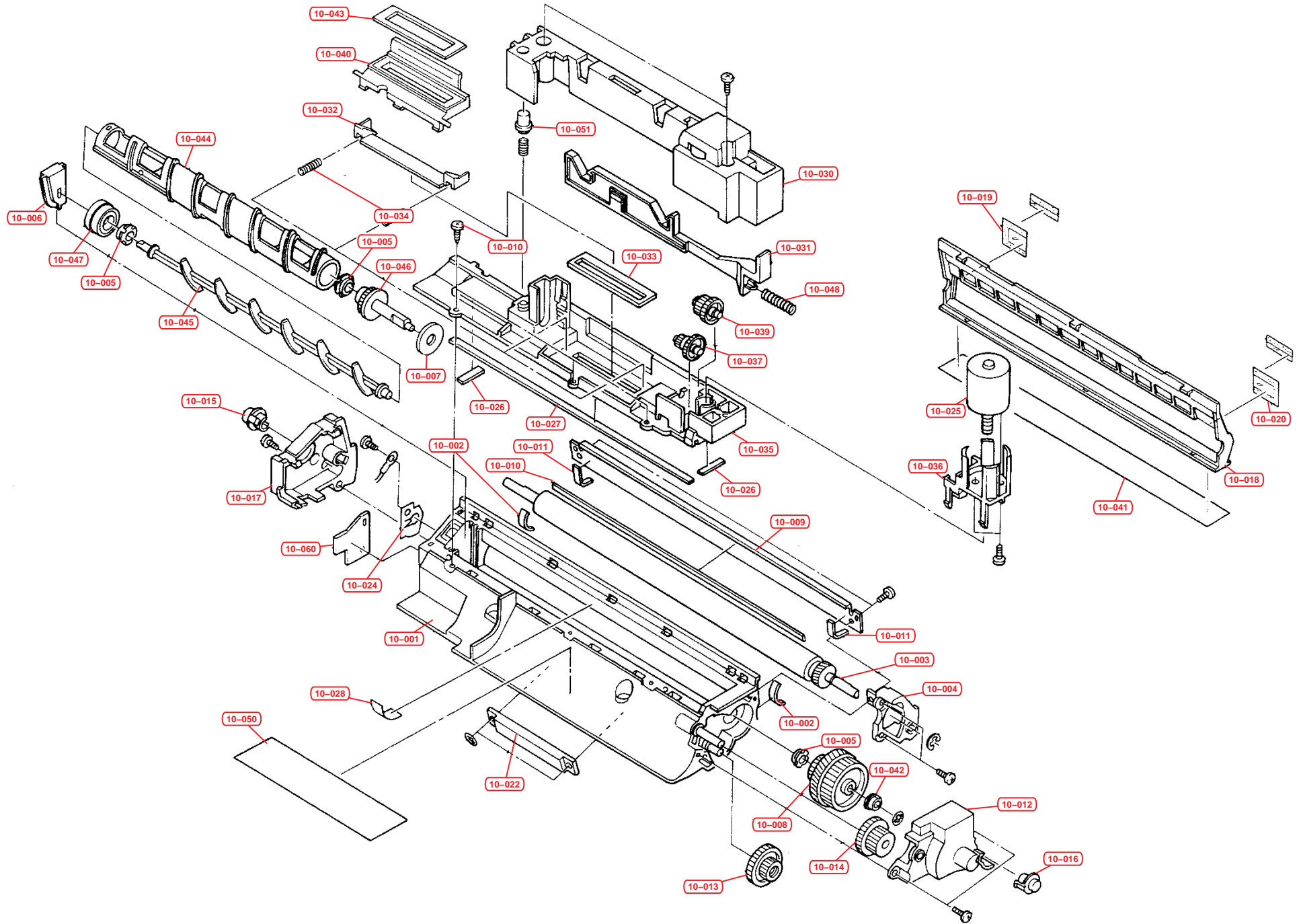
N°	Référence	Description
08-058	MW241LD008	SPRING ROLL C
08-059	VS817RF013	SHEET SPONGE
08-060	VS112KF011	SPACE BUSH LEFT
08-061	VS217RF019	SHEET MCH

Fig.9 – Unité de LED



N°	Référence	Description
09-000	LK-54	LED UNIT 5PLPZMDAPKE(FS-1600)
09-000	LK-59	LED UNIT (FS-1600+)
09-001	AXLH007GEB	LED HEAD ASSY
09-002	MW271SZ001	SPRING LED
09-003	VB863SB015	FRAME LED
09-004	VN221DG001	KNOB LED BOLUME
09-005	VVL311WN19	LABEL LED HEAD
09-007	VS736SB001	PLATE LED
09-009	VX221DB013	SCRWE COVER
09-010	MW271LD007	SPRING MCH A
09-013	APRLDC2004FH	SEAL FRAME LED
09-014	MX421LD007	LED EARTH R
09-015	MX221LD013	LED EARTH L
09-016	VS811KN012	SHEET LED FRAME A
09-017	VS311KN004	SHEET LED FRAME B
09-018	VX322SB017	CABLE COVER
09-019	ACCNNQ1GEA	CONN. CORD ASSY
09-020	AY1600E*07	LED EARTH R ASSY
09-021	VS211RB005	SHEET LED COVER
09-022	MW271LD008	SPRING MCH B

Fig. 10 – Unité de développement



N°	Référence	Description
10-000	DV-53	DEVELOPER UNIT (5PLPZLTAPKE)
10-001	VB866SB010	CASE DLP
10-002	VS218YF001	SEAL SIDE DLP
10-003	AVROLER024	ROLLER MEGNET
10-004	VX532SB005	HOLDER ROLL MAG
10-005	VM176XT001	BUSH MIXER R
10-006	VX432SB008	HOLDER BUSH MIXER
10-007	VS708RF009	SEAL OIL
10-008	VG148DB027	GEAR MIXER Z38-Z40
10-009	ML821BD002	BLADE DLP
10-010	VS817RF009	SEAL BLADE
10-011	VS318RF013	SEAL BLADE SIDE
10-012	VB644SB003	COVER GEAR MAG
10-013	VG138DB046	GEAR IDLE Z29-Z14
10-014	VG138DB045	GEAR IDLE Z27-Z14
10-015	VF276SB003	CAP SHAFT MAG L
10-016	VF276SB002	CAP SHAFT MAG R
10-017	VB644SB002	COVER PWB
10-018	VX852SB006	COVER ROLL MAG
10-019	VS321KF009	SEAL COVER MAG L
10-020	VS321KF010	SEAL COVER MAG R
10-022	AXTS018GEA	TONER SENSOR ASSY
10-023	AM1500E*02	SHEET ROLLER MG ASSY
10-024	MS323LD001	PLATE BIAS
10-025	AY1550E*45	TONER MOTOR ASSY
10-026	VS417RF005	SEAL FRAME A
10-027	VS817RF010	SEAL FRAME C
10-028	VS421KN001	SENSOR FACE TAPE
10-030	VB864SB008	COVER DLP
10-031	VX752DG001	LEVER DLP
10-032	VX621DB001	SHUTTER DLP
10-033	VS628RF008	SEAL DLP
10-034	MW344LD001	SPRING SHUTTER
10-035	VX865SB005	LID DLP
10-036	VX543SB004	BRACKET MOTOR
10-037	VG026DB001	WORM WHEEL H28-Z14
10-039	VG137DB056	GEAR IDLE Z30-Z15
10-040	VX642SB007	COVER SHUTTER
10-041	VS822KF008	SEAL CASE BOTTOM
10-042	VM166DN004	BUSH MIXER GEAR
10-043	VS628RF009	SEAL SHUTTER
10-044	VM887SB002	TUBE MIXER
10-045	VM886SB002	SHAFT MIXER
10-046	VF287SB003	FLANGE MIXER R

N°	Référence	Description
10-047	VF287SB002	FLANGE MIXER L
10-048	MW461LD006	SPRING LEVER
10-049	MW461LD007	SPRING LID
10-050	VVL732WN05	LABEL DLP
10-051	VM211SB003	CAP DLP
10-052	VM170XN001	BUSH MIXER
10-053	VS321KF012	SEAL SHUTTER SIDE L
10-054	VS321KF013	SEAL SHUTTER SIDE R
10-055	VS221KF021	SEAL LID
10-056	VS318RF014	SEAL BLACK A
10-059	MW261LJ034	SPRING CONTAINER
10-060	VS863KF002	SEAL MG BOTTOM
10-061	VS328LN001	SEAL RING LEFT
10-069	VS211RF003	SEAL COVER UP
10-070	VS221RF003	SEAL CASE SPACER
10-071	VS221RF002	SEAL BRACKET
10-072	VS212EF002	SEAL LEVER