



IMPRIMANTE PAGE

FS-3500



NOMENCLATURE

11-02-1999

FS-3500 Pièces détachées

Table des matières

Capots (Fig.1).....	3
Structure (Fig.2).....	5
Mécanique (Fig.3).....	7
Contrôleur (Fig.4).....	10
Entraînement papier (Fig.5).....	12
Unité de fusion (Fig.6).....	15
Unité de sortie (Fig.7).....	17
Tambour (Fig.8).....	19
Unité de LED (Fig.9).....	22
Unité de développement (Fig.10).....	24
Interconnexion (Fig.11).....	27

Introduction

Les figures qui suivent représentent l'assemblage de l'imprimante ou des options, par sous-ensembles.

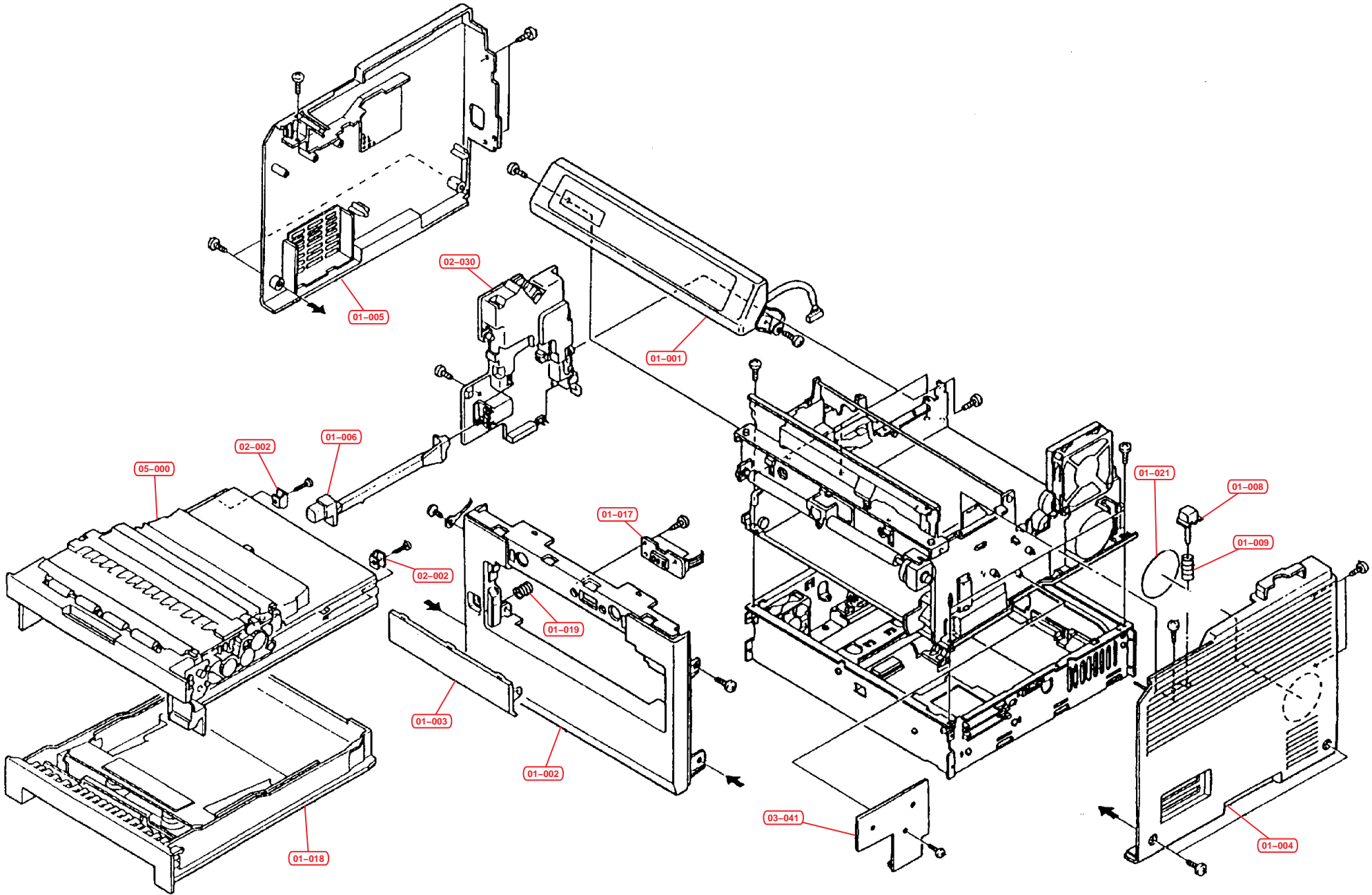
Les informations suivantes sont indiquées après chaque pièce :

N°	N° de la pièce dans l'éclaté
Référence.....	Référence de la pièce
Description	Description de la pièce (en anglais)

Seules les pièces en caractères GRAS peuvent être commandées.

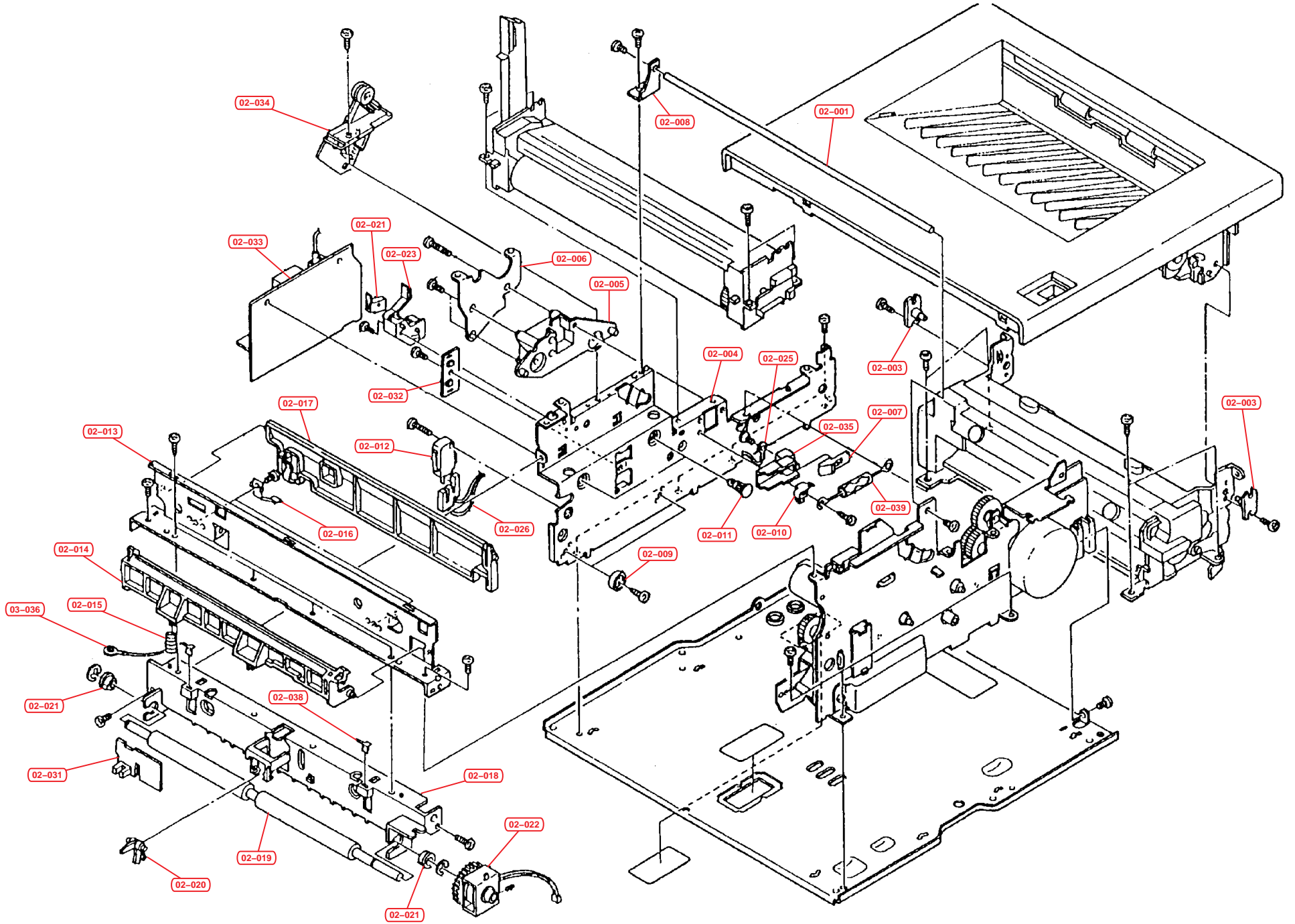
Toutes les autres pièces sont mentionnées à titre indicatif et ne sont pas disponibles.

Fig.1 – Capots



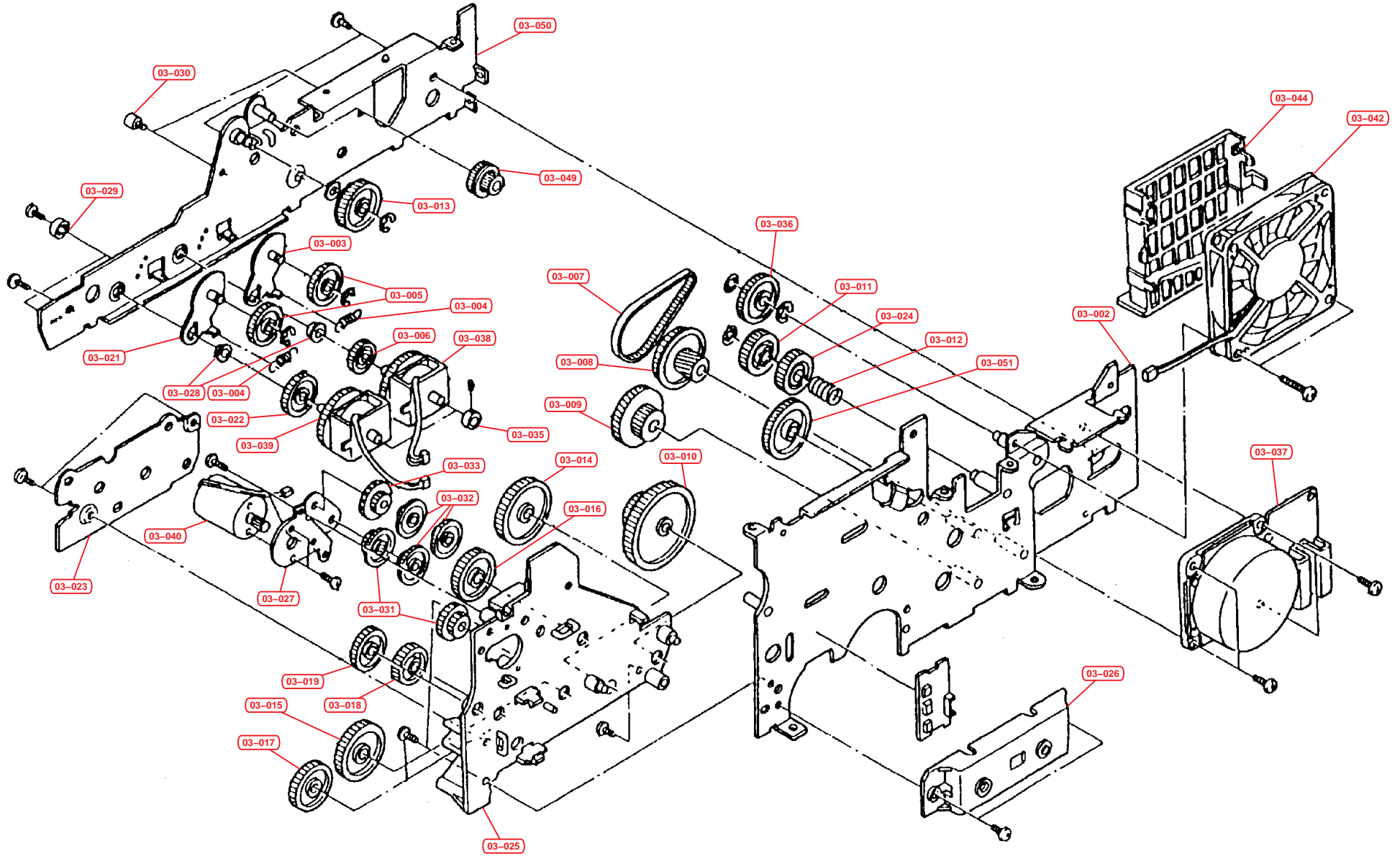
N°	Référence	Description
01-001	AFZ1500E*1	Key Board Assy
01-002	VB875SH030	Cover Front
01-003	VX852SH003	Lid Cover Front
01-004	VB886SH027	Cover Right
01-005	VB886SH028	Cover Left
01-006	VX842SH002	Rod SW Power
01-008	VM276SB002	Cap Press Cover
01-009	MW361LD005	Spring Press Cvr
01-010	MWS3500E*1	Ser No Plate
01-011	VX876SH014	Tray Face Down
01-012	VX885SH003	Tray Face Up
01-013	VL664SH001	Stopper Paper FU
01-014	MS668SH001	Stopper Paper FD
01-015	AVTRAY*003	Manual Tray Assy
01-016	AVCLEAN027	Cleaner Assy
01-017	APRZZG2010AH	PWB KP-247 (ENV)
01-018	PC7-A4	Cassette A4 Assy
01-019	MW361LD006	Spring Power
01-020	MU211SD007	Case Stopper
01-021	VS906XF001	Sheet R

Fig.2 – Structure



N°	Référence	Description
02-001	MT855SZ004	Shaft Frame
02-002	MU211SD007	Case Stopper
02-003	MF265SN001	Pin Hinge
02-004	MX875SL003	Frame Left
02-005	VX743CB001	Spacer Frame
02-006	MX661SL005	Plate Drum
02-007	MU411LD001	Plate Receptacle
02-008	ML332SL004	Bracket Shaft
02-009	VM1222DB002	Pulley Case
02-010	MU311LD002	Plate Earth Sprg
02-011	VX211NN019	Lock Card Spacer
02-012	SM010234***01	Micro Switch
02-013	MX864SL008	Channel Front UP
02-014	VX843SB003	Latch Cover
02-015	MW261LD007	Spring Latch
02-016	MX626LD001	Press DLP
02-017	VX853SB001	Guide DLP
02-018	VX866SH004	Channel Front Low
02-019	MT876SN039	Roller Manual UP
02-020	VX322SB012	Actuator Manual
02-021	VM176DN009	Bearing
02-022	YYAFAAQ01**02	Clutch Feed
02-023	VX532DN001	Bkt Sensor Bottle
02-024	SM010235***01	Micro Switch
02-025	ACCNHY3GEA	Conn Cord S00558
02-026	ACCNHX2GEA	Conn Cord S00547
02-030	APRPWC1001AH	AC PWB Assy
02-031	APRSSC1006CH	Manual feed Sensor
02-032	APRSSC1007CH	Paper feed Sensor
02-033	AXTR024VDA	Trans Assy
02-034	APRSSC1009AH	Waste Bottle Sensor
02-035	VX633CB001	Holder Receptacle
02-036	ACCNLU1GEA	Conn Cord S00570
02-038	ML121LD003	Plate Earth EF
02-039	AXRD012GEA	High MEG R Assy

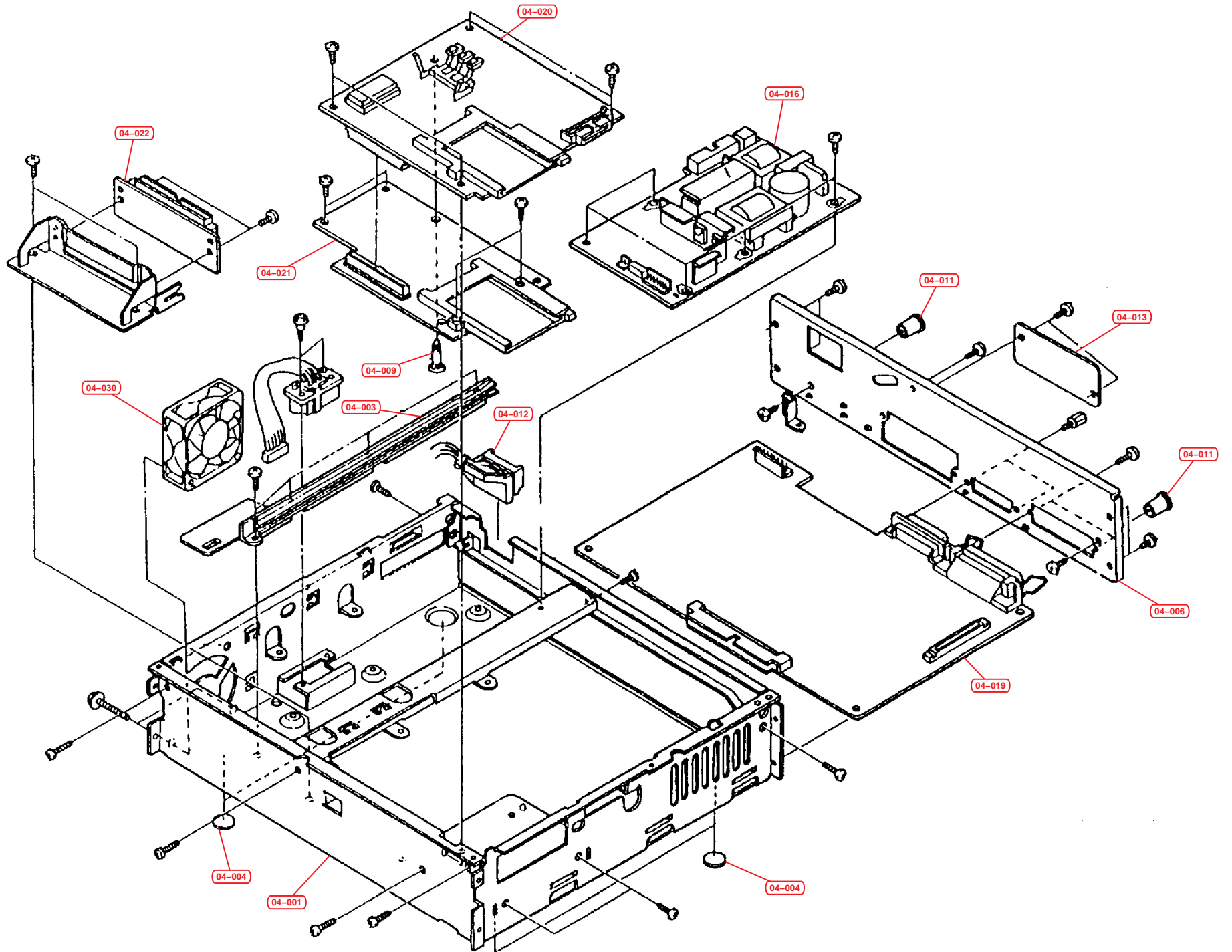
Fig.3 – Mécanique



N°	Référence	Description
03-000	AY3500E*04	Drive Frame Unit
03-002	MX873SL003	Plate Drive B
03-003	MXS32SL007	Plate Rejoint
03-004	MW261LD006	Spring Joint
03-005	VG138DB021	Gear Joint Z28
03-006	VG137DB024	Gear Clutch Z22
03-007	VM190RB015	Belt Drive
03-008	AVGEAR*016	Gear Z57P-Z20H Assy
03-009	AVGEAR*017	Gear Z45H-Z24H Assy
03-010	AVGEAR*018	Gear Z59H-Z24H Assy
03-011	VG138DB022	Gear Free Z27
03-012	MW361LD004	Spring Free
03-013	VG148DB019	Gear Drum Z34H
03-014	VG158DN008	Gear Z45H-Z45H
03-015	VG148DN011	Gear Z40H-Z21S
03-016	VG138DN017	Gear Z28H
03-017	VG148DN010	Gear Z23S
03-018	VG148DB022	Gear Z32S
03-019	VG137DB025	Gear M Feed Z25
03-021	XX532SL008	Plate FE Joint
03-022	VG138DB024	Gear Clutch Z29
03-023	MX763SL014	Plate Drive C
03-024	VG138DB040	Gear Free Z27H
03-025	VX763CB002	Spacer Gear
03-026	VX632DB002	Holder Clutch
03-027	MX543SL002	Plate Drive D
03-028	VM176DB008	Bushing Stop
03-029	VM122DB002	Pulley Case
03-030	MT263SZ016	Pin Stud
03-031	VG158NN001	Gear CD Z31-Z42
03-032	VG158DB005	Gear CD Z14-Z42
03-033	VG158DB019	Gear CD Z20-Z25
03-035	MT565SN001	Shaft Clutch
03-036	VG148XN003	Gear Fuser Z34
03-037	AXMT016GEA	Motor Main
03-038	YYAFAAK02**02	Clutch Regist
03-039	YYAFAAQ01**03	Clutch Feed
03-040	AY1500E*18	Toner Motor Assy
03-041	APRIFC2002AH	Interconnect PWB KP-332
03-042	ZNF2403103*01	Fan Motor
03-044	AY1500E*47	Cover Fan Assy
03-045	VG138DB029	Gear Idle Z26
03-047	VS666XF001	Sheet M
03-048	MS527SL002	Plate Support

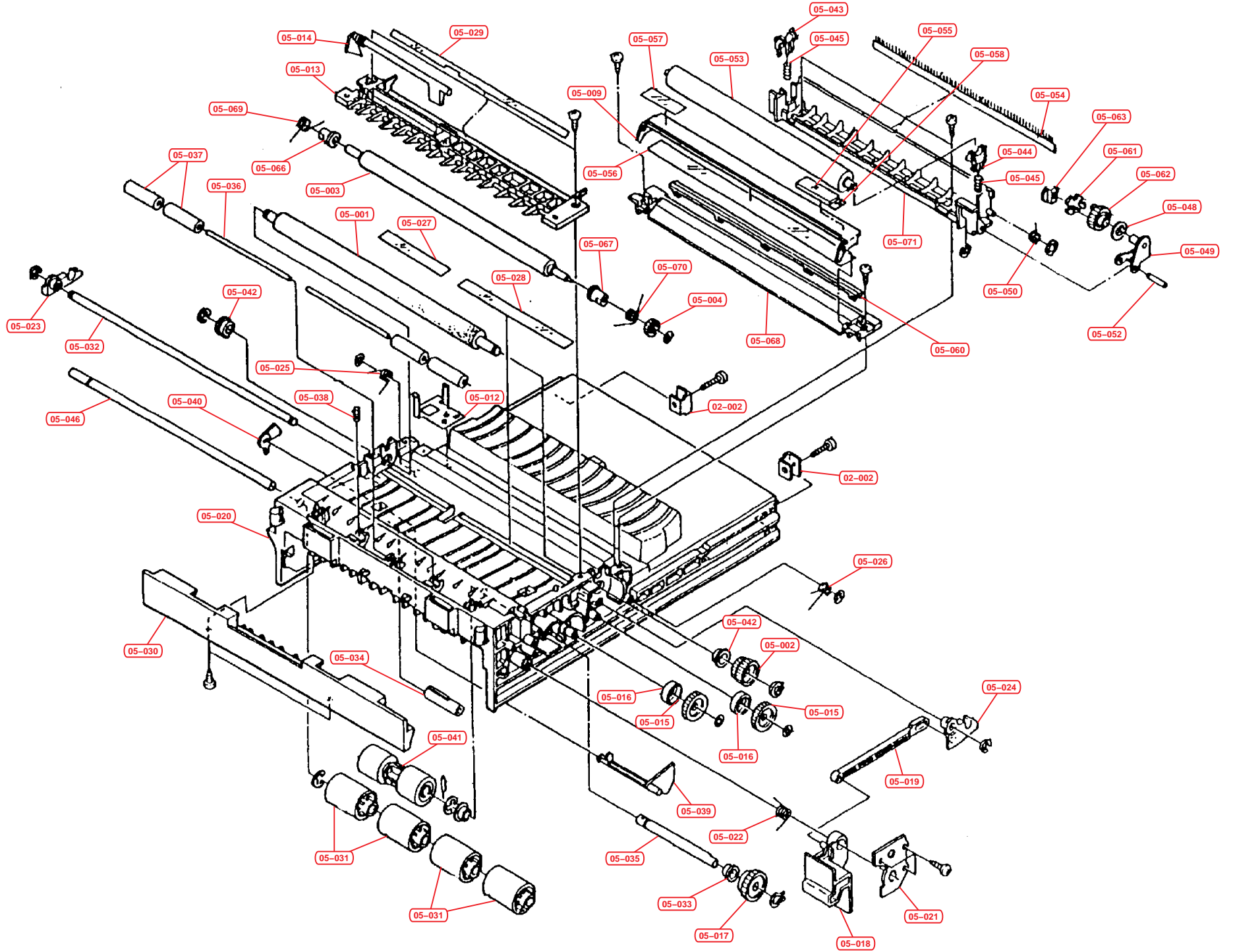
N°	Référence	Description
03-049	VG147DB009	Gear TC Z24-Z32
03-050	MX863SL005	Plate Drive A
03-051	VG058DB003	Gear Idle H45-Z45

Fig.4 – Contrôleur



N°	Référence	Description
04-001	MB886SL015	Box Controller
04-003	VX732SL001	Rail PWB Main
04-004	VM160RB025	Foot
04-006	MS846SL014	Panel Rear
04-007	VS772KF002	Sheet Power
04-009	VX311NN033	PWB Spacer
04-011	VM266SB003	Pull Knob
04-012	APRZZ005AH	PWB KP-318 OPT.
04-013	MS646SD007	Plate Connect 8N
04-015	ACCNHW6GEA	Conn Cord S00541
04-016	AEZ3500E*1	Switching Regulator
04-017	ML633SD001	Lid RAM PWB
04-019	APRLGG4019AH	PWB KP-320 Main
04-020	APRCZG2013AH	PWB KP-314 Engine
04-021	APRIFG4010AH	PWB KP-313 Card I/F
04-022	APRCZG4003AH	PWB KP-315 Mother
04-030	ZNF2403002*02	Fan Motor

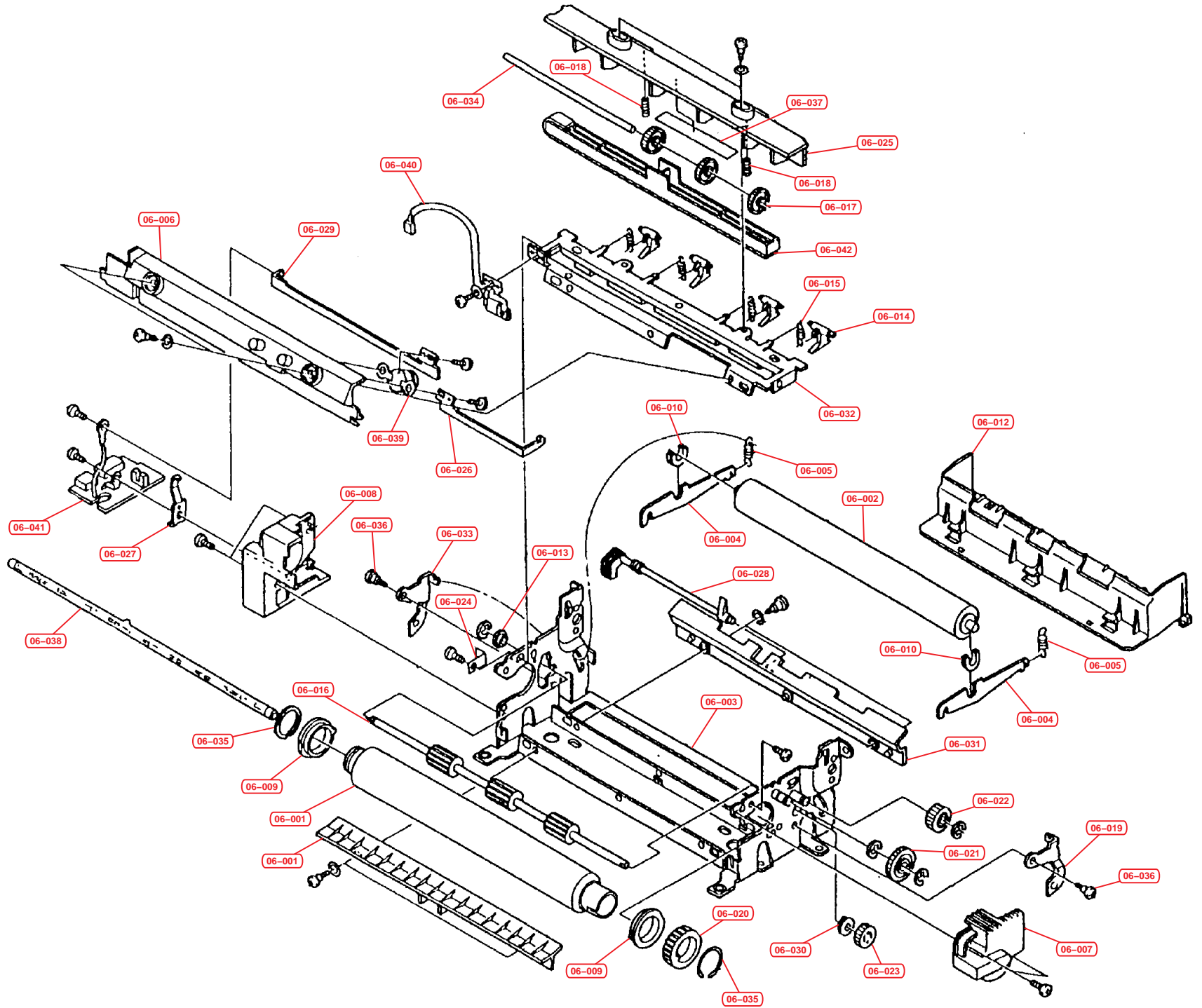
Fig.5 – Entraînement papier



N°	Référence	Description
05-000	AY1500E*48	Feed Unit Assy
05-001	MT876SN033	Roller Regist A
05-002	VG137DB029	Gear Reg Z24-Z32
05-003	MT821SN002	Roller Regist UP
05-004	VG137DB028	Gear Regist Z24
05-009	MS836LD001	Paper Chute UP
05-012	MU443LD001	Plate Earth CTCT
05-013	VX852SH002	Guide Paper A
05-014	VX722SH002	Sensor Doc
05-015	VG138DB029	Gear Idle Z26
05-016	VM121DB001	Collar Joint
05-017	VG138DB028	Gear Feed
05-018	VX655SX001	Lever Lock
05-019	VX711DB001	Link Lock
05-020	VX886SH001	Lower Case
05-021	MS546SD001	Pate Lock
05-022	MW177LD001	Spring Lock
05-023	VX421DB007	Hinge Lock L
05-024	VX431DB003	Hinge Lock R
05-025	MW166LD004	Spring Hinge L
05-026	MW166LD005	Spring Hinge R
05-027	VS722KF002	Sheet Regist L
05-028	VS622KF003	Sheet Regist R
05-029	VS822KF003	Sheet Regist A
05-030	VX843SH006	Cover Front B
05-031	VM687DB001	Roller Guide
05-032	MT860SZ001	Shaft Release
05-033	VM122DB003	Bush Pom
05-034	VM410DB001	Holder Roller FD
05-035	MT660SN001	Sham Feed
05-036	MT733SN002	Shaft Manual Feed
05-037	VM460DB001	Roller Idle
05-038	MW255LD003	Spring Manual
05-039	VX641CB001	Actuator Cassette A
05-040	VX321SB012	Actuator Cassette B
05-041	AVROLL*027	Feed Roll Assy
05-041A	VM480RN002	Feed Tyre
05-041B	VM733SB002	Pulley Feed Roll
05-042	MM175CJ003	Metal Bush KD
05-043	VX322DB012	Bush Transfer L
05-044	VX321DB009	Bush Transfer R
05-045	MW354LD001	Spring Bush A
05-046	MT866SN014	Shaft Guide
05-048	VM176DB007	Collar Joint TR
05-049	MU222SD002	Bracket Joint Gear

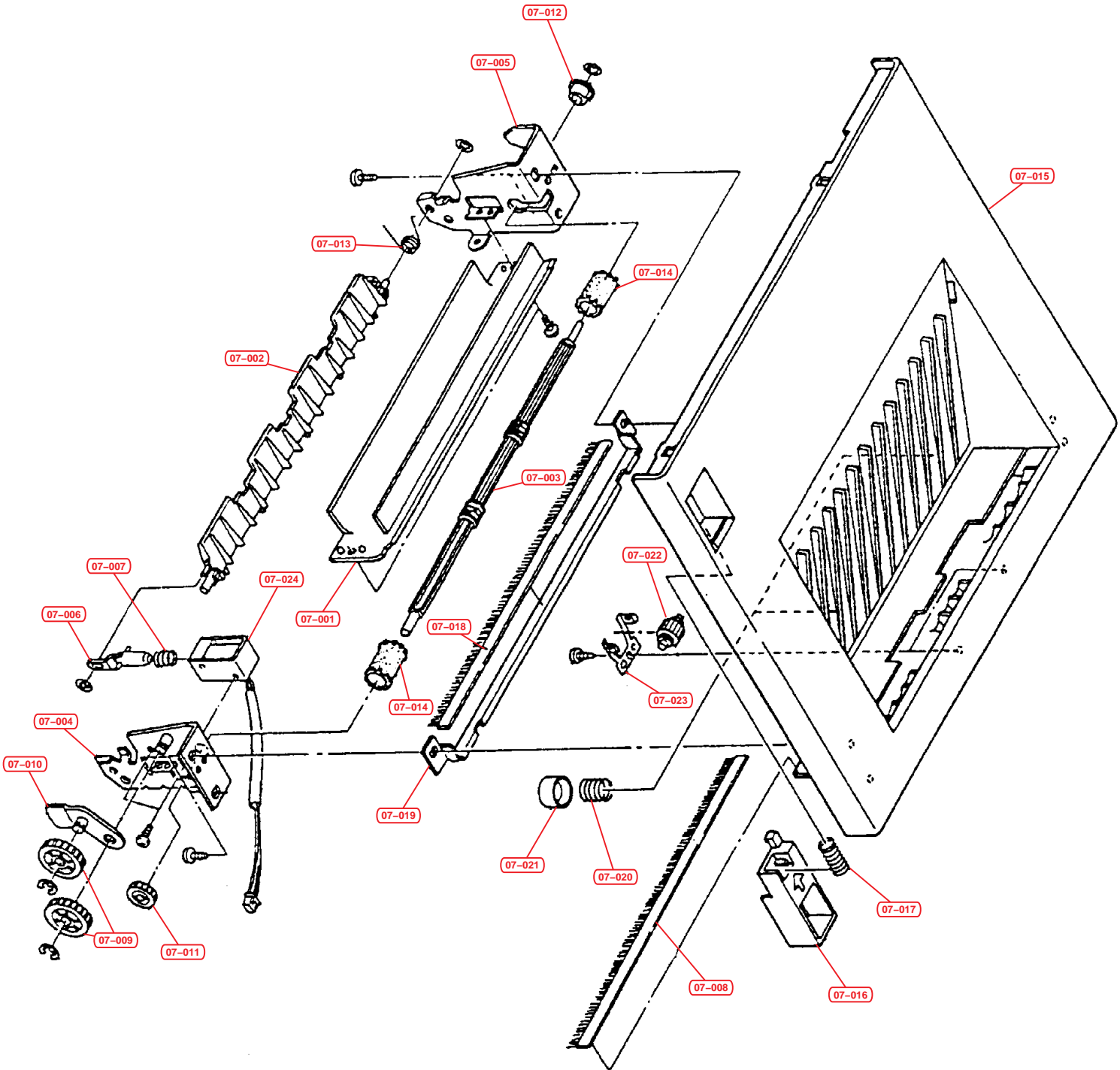
N°	Référence	Description
05-050	MW166LD006	Spring Bracket
05-052	MT230SZ001	Pin Bracket Joint
05-053	AY1500E*58	Roller Transfer
05-054	VS825XF003	Discharger
05-055	VS527RF009	Sheet Chute A
05-056	VS832KN002	Sheet Chute B
05-057	VS521KN002	Sheet Chute L
05-058	VS521KN003	Sheet Chute R
05-060	VX811CB002	Guide Chute
05-061	VM276DB007	Coupling Joint
05-062	VG137DB033	Gear Joint Z30
05-063	VM176DB009	Bush Transfer
05-065	VS321KF018	Sheet Regist B
05-066	MM276CJ001	Metal Bush Regist
05-067	VM210DB001	Bush Regist
05-068	VX832CB005	Paper Chute
05-069	MW172LD008	Spring Regist L
05-070	MW172LD007	Spring Regist R
05-071	VX832CB004	Bracket Roller
05-073	MW166LD007	Spring Chute
05-00X	AYL1500*40	TRANS BRACKET ASSY

Fig.6 – Unité de fusion



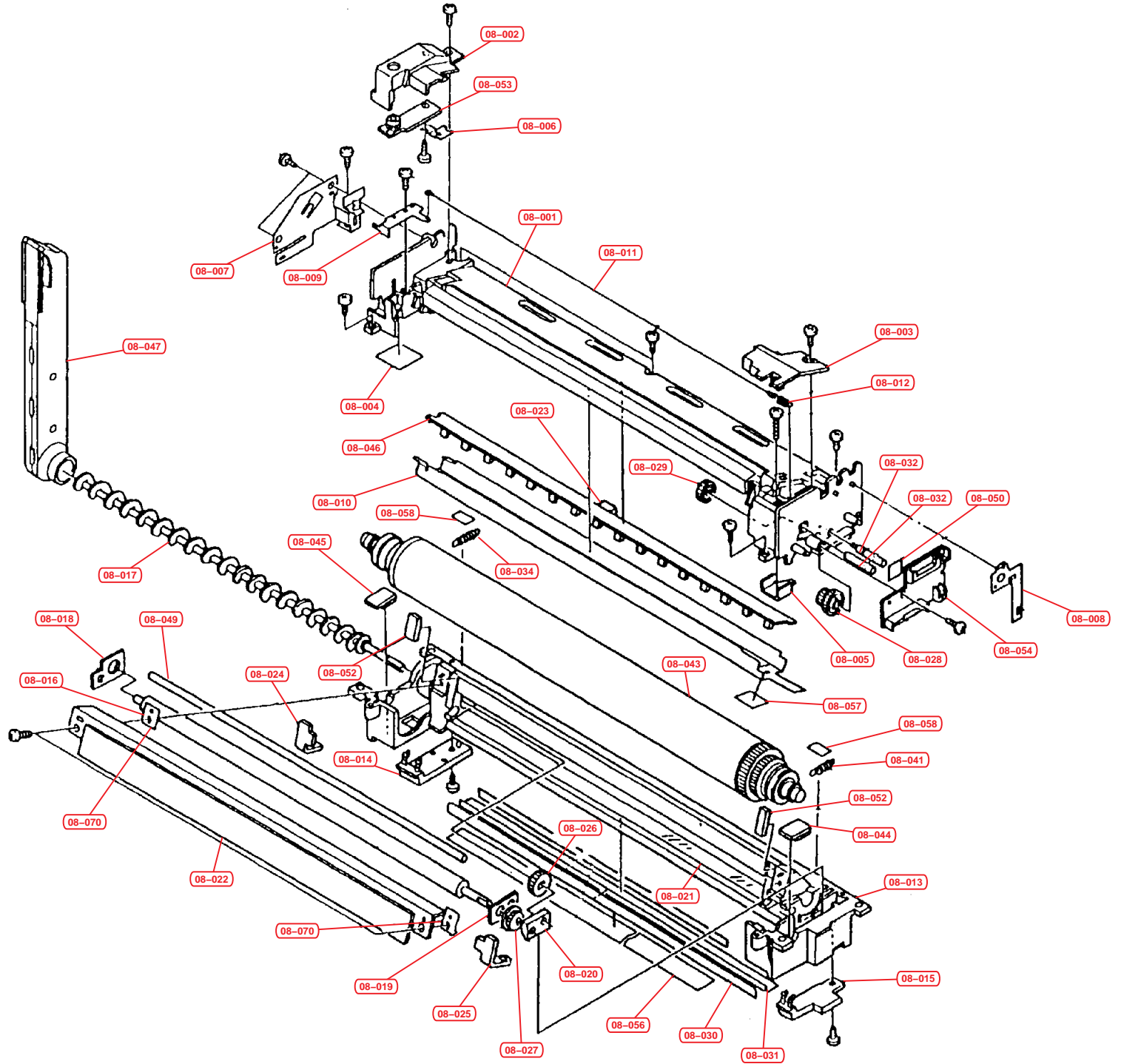
N°	Référence	Description
06-000	FK-52	Fuser Kit (5PLPZESAPKE)
06-001	MT888AX003	Roller Heat
06-002	MT886SN009	Roller Press
06-003	MB866SL012	Frame Fuser
06-004	MS627SL002	Plate Press
06-005	MW251LD008	Spring Press
06-006	VX842NB003	Guide Therm
06-007	VB653XB001	Cover Fuser R
06-008	VB663XB002	Cover Fuser L
06-009	VM188XN006	Bushing Heat
06-010	VM166XN001	Bushing Press
06-011	VX833XB002	Guide Entrance
06-012	VX865SH001	Guide FU
06-013	VM176DB006	Bushing Pom
06-014	VX332XN003	Separator
06-015	MW241LD003	Spring Separator
06-016	MT874SN003	Roller Exit
06-017	VM174DB002	Pulley Exit
06-018	MW251LD016	Spring Pulley
06-019	MXS42SL004	Plate Release R
06-020	VG148NN002	Gear Heat Z35
06-021	VG138XN007	Gear Joint Z26
06-022	VG137DB026	Gear Idle Z21
06-023	VG127DB018	Gear Exit Z16
06-024	MX322RD001	Plate Earth
06-025	VX833XB001	Guide Exit Up
06-026	MX633RD001	Holder Lamp R
06-027	MX321 RD005	Holder Lamp L
06-028	VX732CB001	Actuator Jam
06-029	MX732RD002	Plate Cord
06-030	MM176CJ005	Bushing SBK
06-031	VX832XB001	Guide Exit
06-032	MC852SL001	Stay Fuser
06-033	MX542SL003	Plate Release L
06-034	MT733SN001	Shaft Exit
06-035	MW172SB001	Ring Stop
06-036	MT143SZ010	Stud Screw SL
06-037	VVL721WN29	Lable Fuse Caution
06-038	ZPB2413320102	Lamp Heater
06-039	YFFQ18201**01	Thermostat
06-040	AXTM008GEA	Thermistor Assy
06-041	AY1500E*70	PWB Assy Fuser
06-042	AVCLEAN026	Fuser Cleaning Pad

Fig.7 – Unité de sortie



N°	Référence	Description
07-000	AY1500E*04	Face Down Unit
07-001	VX853SH001	Guide FD
07-002	VX831CB001	Guide Change
07-003	VT873CB001	Shaft FD
07-004	MX653SL008	Plate Hinge R
07-005	MX663SL007	Plate Hinge L
07-006	VX311DB006	Actuator SOL
07-007	MW261LJ032	Spring SOL
07-008	VS825XF001	Brush Discharger
07-009	VG138DB020	Gear FD Z30
07-010	MX632SL006	Plate FD Joint
07-011	VG127DB018	Gear Exit Z16
07-012	VM176DN009	Bush
07-013	MW161LJ035	Spring Earth FD
07-014	VM320RB001	Exit Tyre
07-015	VB886SH020	Cover Top
07-016	VN260SH001	Knob Release
07-017	MW266LD002	Spring Knob
07-018	VS825XF002	Brush Discharge FD
07-019	MX821SL001	Plate Brush FD
07-020	MW271LD003	Spring Press CL
07-021	VM176SH003	Cap Press CL
07-022	VM273DB002	Pulley FD
07-023	MX322LD007	Bracket Pulley FD
07-024	ZSA2401020304	Solenoid
07-026	VS822RN001	Seal Cover Top
07-027	VM150RB008	Rubber Pin
07-028	VB118RB017	Cushion SOL
	VX876SH014	Face Down Output Tray

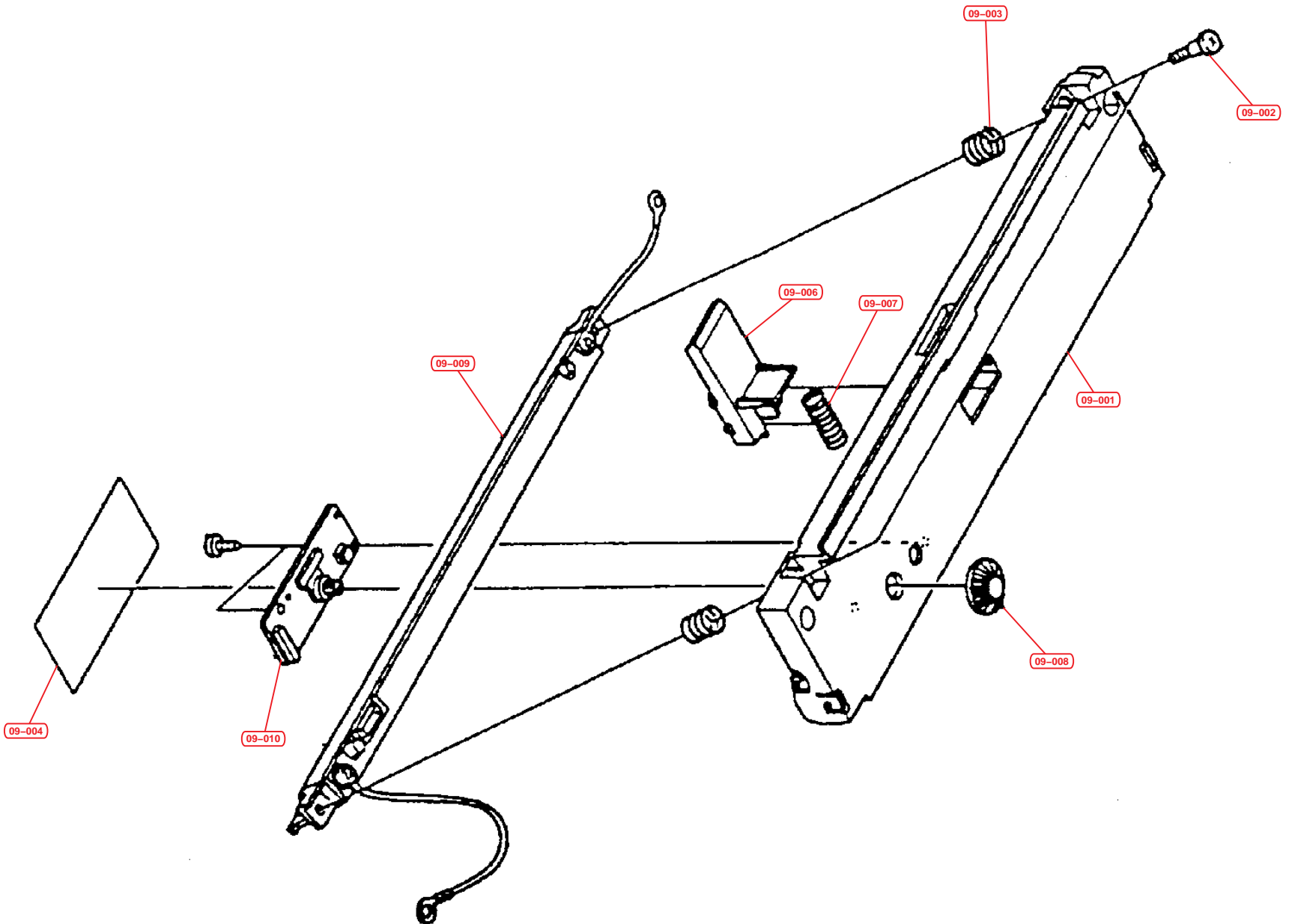
Fig.8 – Tambour



N°	Référence	Description
08-000	DK-52	Drum Kit (5PLPZESAPKE)
08-001	VB864CB004	Frame Drum Up
08-002	VX643SB006	Cover M/C L
08-003	VX442SB001	Cover M/C R
08-004	VS222KB001	Sheet Ring Cover
08-005	MX222SL003	Plate Grid Adj
08-006	MZ211LD001	Earth Zenner
08-007	MX642LD001	Case Belt Holder
08-008	MX532LD002	Earth Lead D
08-009	MX321LD016	Hook M/C
08-010	AVCASE*100	MCH Shield Assy
08-011	MW801XU005	Corona Wire
08-012	MW241LJ018	Spring CHG
08-013	VX864CB001	Frame Drum Low
08-014	AVBRUSH032	Contact Brush L Assy
08-015	AVBRUSH027	Contact Brush R Assy
08-016	MT864SN003	Roll CLN
08-017	VT864CB001	Screw
08-018	VQ321DN001	Brush Left
08-019	VQ321DN003	Brush Right
08-020	VQ211DN001	Brush CLN
08-021	VS823KN001	Sheet Scraper
08-022	AY3500E*35	Blade Unit
08-023	VS218RN009	Seal Blade
08-024	VS428LN003	Seal Drum Left
08-025	VS428LN002	Seal Drum Right
08-026	VG137DB030	Gear Screw Z24
08-027	VG126DB017	Gear Roll Z18
08-028	VG137DB031	Gear Z1830
08-029	VG137DB032	Gear Z24
08-030	VS811RN002	Sheet Roll
08-031	ML821LD004	Bracket Sheet
08-032	MT343SN001	Pin Idler A
08-034	MW241LD004	Spring Roll A
08-041	MW241LD008	Spring Roll C
08-043	AY1500E*33	Drum Assy Eur
08-044	VS318LN001	Seal Ring Right
08-045	VS328LN001	Seal Ring Left
08-046	XLD022GEB	LED Assy
08-047	AY1500E*20	Case Belt Assy
08-048	VS812XN001	Tape Adhesive
08-049	VT860SZ002	Roll Magic
08-050	VS215KB001	Film Stopper
08-052	VS218RN010	Seal Blade

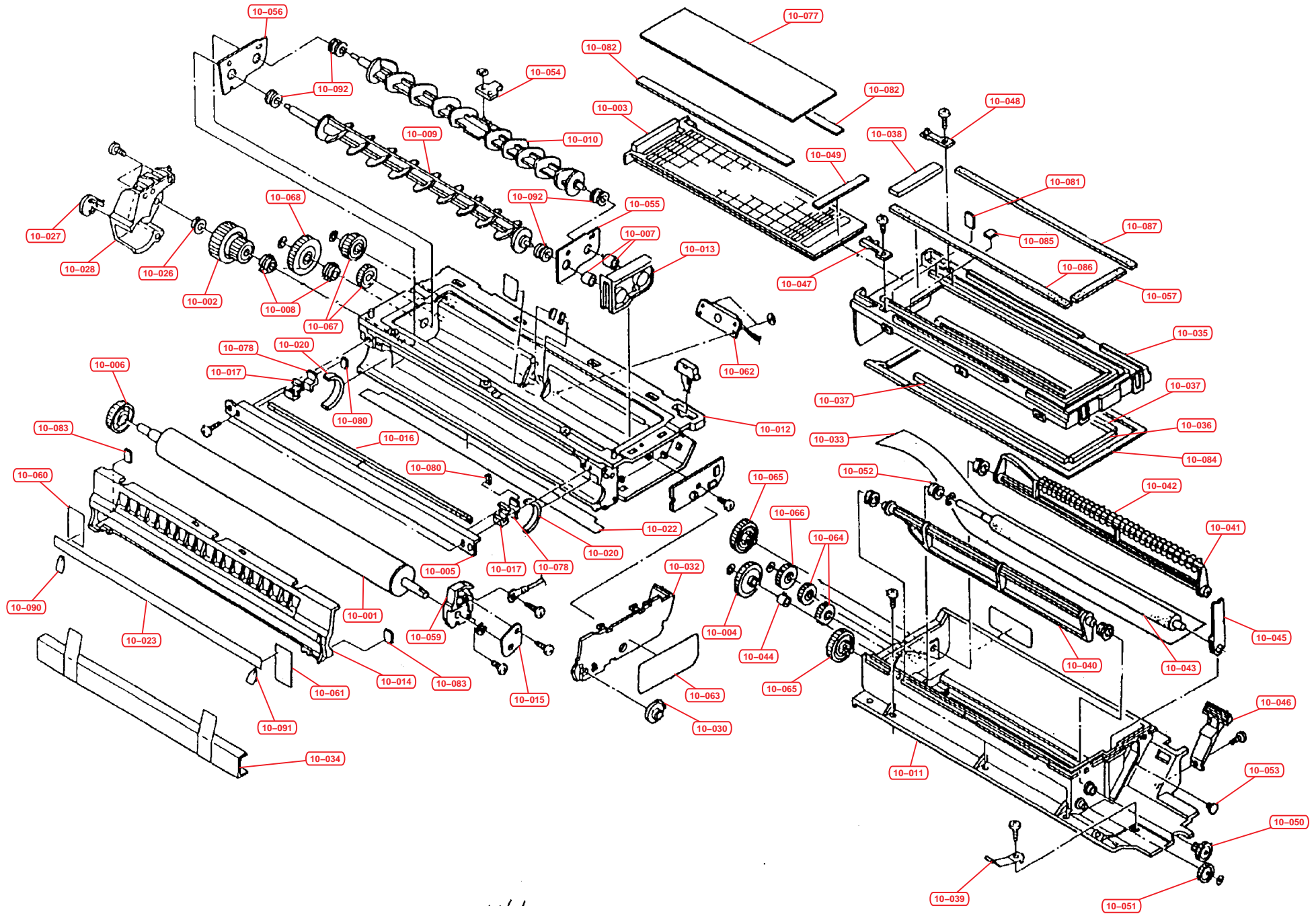
N°	Référence	Description
08-053	APRCZC1 002CH	Zenner PWB Assy
08-054	APR1FC1002CH	Drum PWB Assy
08-056	VS721KN008	Sheet Drum Low
08-057	VS211KN001	Sheet Grid
08-058	VS211KN002	Sheet Cover Spring
08-070	VS226KF001	Spacer Blade
08-078	VS812KN004	Sheet A

Fig.9 – Unité de LED



N°	Référence	Description
09-000	LK-52	LED Head (5PLPETAPKE)
09-001	VB863SB010	Frame LED
09-002	MT362SZ002	Stud Screw
09-003	MW271SZ001	Spring LED
09-004	VS641KB001	Sheet Frame
09-006	VX633SG001	Lever Frame LED
09-007	MW461SZ001	Spring LED Lever
09-008	VN221DG001	Knob LED Volume
09-009	AXLH00SGEA	LED Head Assy
09-010	APRLDG2002BH	PWB Assy KP-239

Fig.10 – Unité de développement



N°	Référence	Description
10-000	DV-52	Developer Kit (5PLPZEUAPKE)
10-001	AVROLER023	Roller Magnet
10-002	VG147DB019	Gear Mixer Z22-Z36
10-003	VX861SB002	Shutter Hopper
10-004	VG138DB030	Gear TF Z26
10-005	ML821DB001	Blade Deve
10-006	VG137DB052	Gear Rol Mag Z23H
10-007	VM160XT001	Bushing Mixer L
10-008	VF176XT001	Bushing Mixer R
10-009	VX888SB002	Mixer Deve A
10-010	VX888SB001	Mixer Deve B
10-011	VX876XB001	Frame Hopper
10-012	AVFRAME086	Frame Deve Assy
10-013	VX542XB001	Support Brush
10-014	VX854XB001	Cover Mag
10-015	MS333LD003	Plate Bias
10-016	VS818RB005	Seal Blade
10-017	VS518RF003	Seal Gap Blade
10-018	MQ211FJ002	Magnet Sweep A
10-019	MQ211FJ003	Magnet Sweep B
10-020	VS228RB012	Seal Side Cover
10-022	VS821KN009	Seal Bottom Mag
10-023	VS821KN014	Seal Cover Sleeve
10-026	MF661CX001	Busing Mixer A
10-027	VX222CB002	Cap Shaft Mag R
10-028	VX543CB001	Cover Gear Mag
10-030	VX222CB003	Cap Shaft Mag L
10-031	VS421KN001	Sensor Face Tape
10-032	VX752XB001	Cover Board
10-033	VS881KB001	Sheet Roller TF
10-034	AM1500E*02	Sheet Roller Mag Assy 1
10-035	VX866SB006	Upper Hopper
10-036	VS618RB014	Seal Shutter A
10-037	VS818RB006	Seal Shutter B
10-038	VS618RB015	Seal Shutter C
10-039	MX321LD017	Press Bottle Waste
10-040	VX832SB003	Scraper Toner A
10-041	VX832SB004	Scraper Toner B
10-042	MW671LD002	Scraper FD Toner
10-043	MT864SN004	Roller Feed Toner
10-044	VM160DB006	Bushing TF
10-045	VX511SB001	Support TF
10-046	VX522DG001	Hook Bottle Waste
10-047	VX211DB010	Stopper Cartridge

N°	Référence	Description
10-048	VX211DB009	Stopper Shutter
10-049	VS617LB001	Seal Lid C
10-050	VG137DB035	Gear Waste Z28
10-051	VG127DB031	Gear Waste Z14-Z15
10-052	VX661RB002	Seal Scraper B
10-053	VF164EN001	Cap Hole Hopper
10-054	VS223KN002	Sheet Scraper
10-055	MS534LD002	Plate Seal L
10-056	MS534LD001	Plate Seal R
10-057	VS718RB003	Seal Lid A
10-058	VS618RB013	Seal Lid B
10-059	VX433DB002	Holder Mag
10-060	VS221KN007	Film Seal Side R
10-061	VS221KN008	Film Seal Side L
10-062	AXTS015GEA	Toner Sensor Assy
10-063	VVL64SWN01	Label DLP
10-064	VG127DB033	Gear Scraper Z15
10-065	VG138DB033	Gear Scraper Z27
10-066	VG127DB034	Gear Scraper Z18
10-067	VG137DB054	Gear Z14-Z23
10-068	VG137DB053	Gear Z39-Z23
10-077	VVL762WN15	Lable Hopper EH
10-078	VS218RF016	Seal Gap Up
10-080	VS118RF017	Seal DLP E
10-081	VS118TF001	Seal T
10-082	VS716LB001	Seal G
10-083	VS117RB015	Seal Toner Pool
10-084	VB868XB002	Seal Upper Hopper
10-085	VS117YN001	Seal BLD
10-086	VS818MF001	Seal Lid BR
10-087	VS818MF002	Seal Lid BF
10-090	VS221KC004	Film Shut Mag R
10-091	VS221KC005	Film Shut Mag L
10-092	VX771RB002	Seal Scraper G
10-093	APRCZC1001AH	PWB KP-241

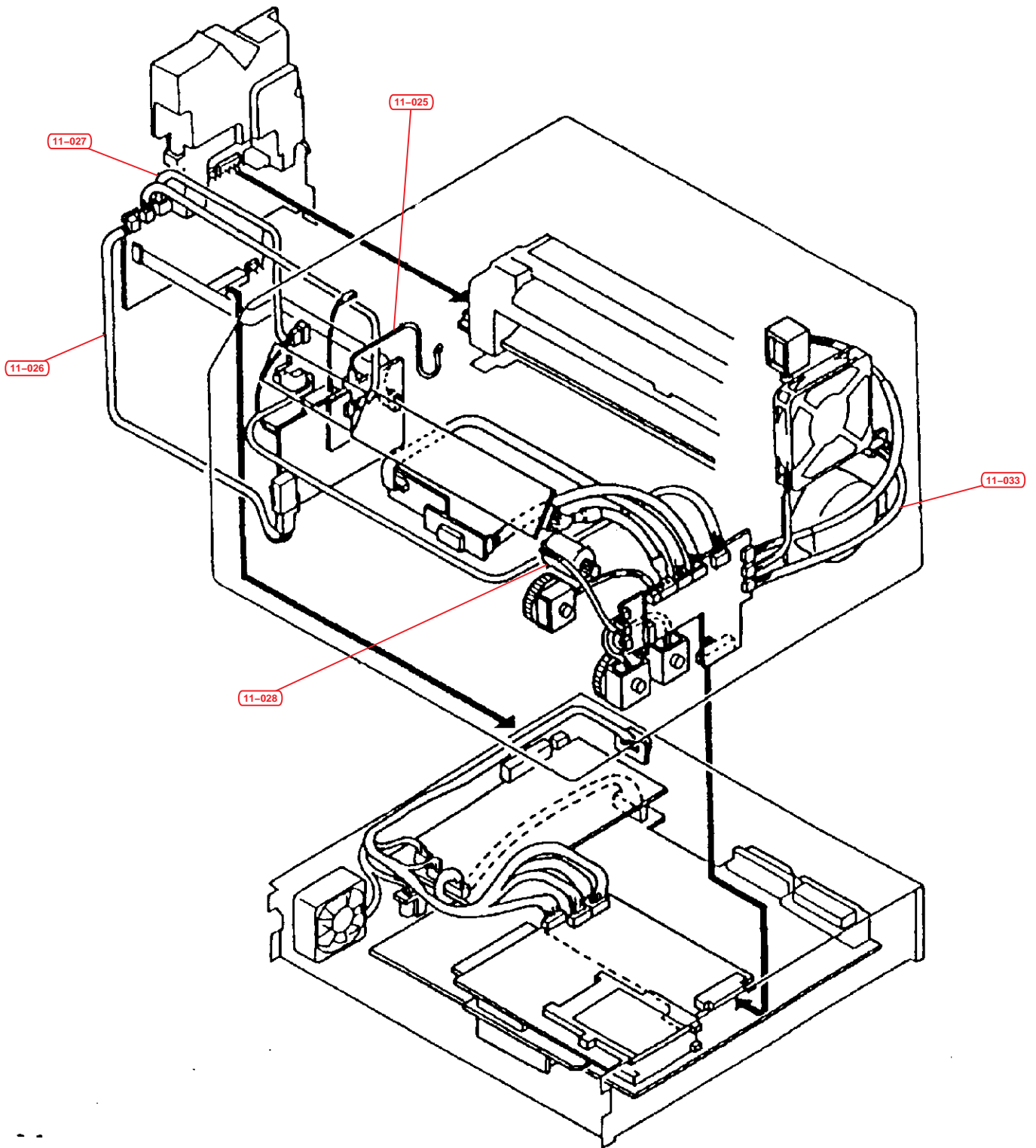


Fig.11 - Interconnexion

N°	Référence	Description
11-025	ACCNHY3GEA	Conn Cord S00558
11-026	ACCNHX2GEA	Conn Cord S00547
11-027	ACCNHX3GEA	Conn Cord S00548
11-028	ACCNMA3GEA	Conn Cord S00704
11-029	ACCNHY2GEA	Conn Cord S00557
11-033	ACCNJE8GEA	Conn Cord S00568