



IMPRIMANTE PAGE

FS-400



NOMENCLATURE

11-02-1999

FS-400 Pièces détachées

Table des matières

Capots supérieurs (Fig.1)	3
Bac papier (Fig.1a).....	5
Couvercle (Fig.2).....	7
Structure (Fig.2a).....	9
Contrôleur (Fig.3).....	12
Mécanique (Fig.4)	14
Unité de fusion (Fig.5).....	16
Unité de sortie (Fig.6).....	18
Tambour (Fig.8).....	20
Unité de développement (Fig.9).....	23

Introduction

Les figures qui suivent représentent l'assemblage de l'imprimante ou des options, par sous-ensembles.

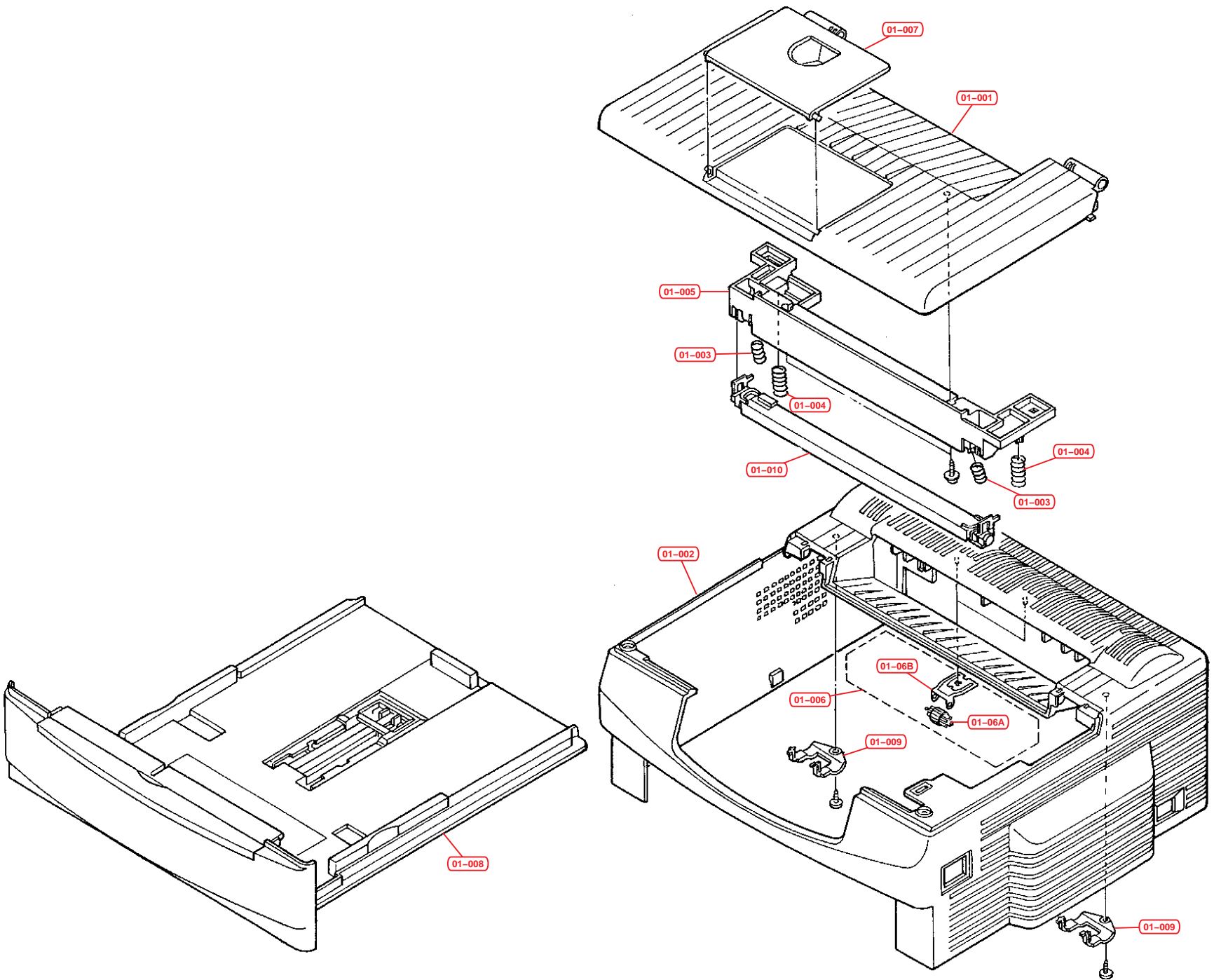
Les informations suivantes sont indiquées après chaque pièce :

N°	N° de la pièce dans l'éclaté
Référence.....	Référence de la pièce
Description	Description de la pièce (en anglais)

Seules les pièces en caractères GRAS peuvent être commandées.

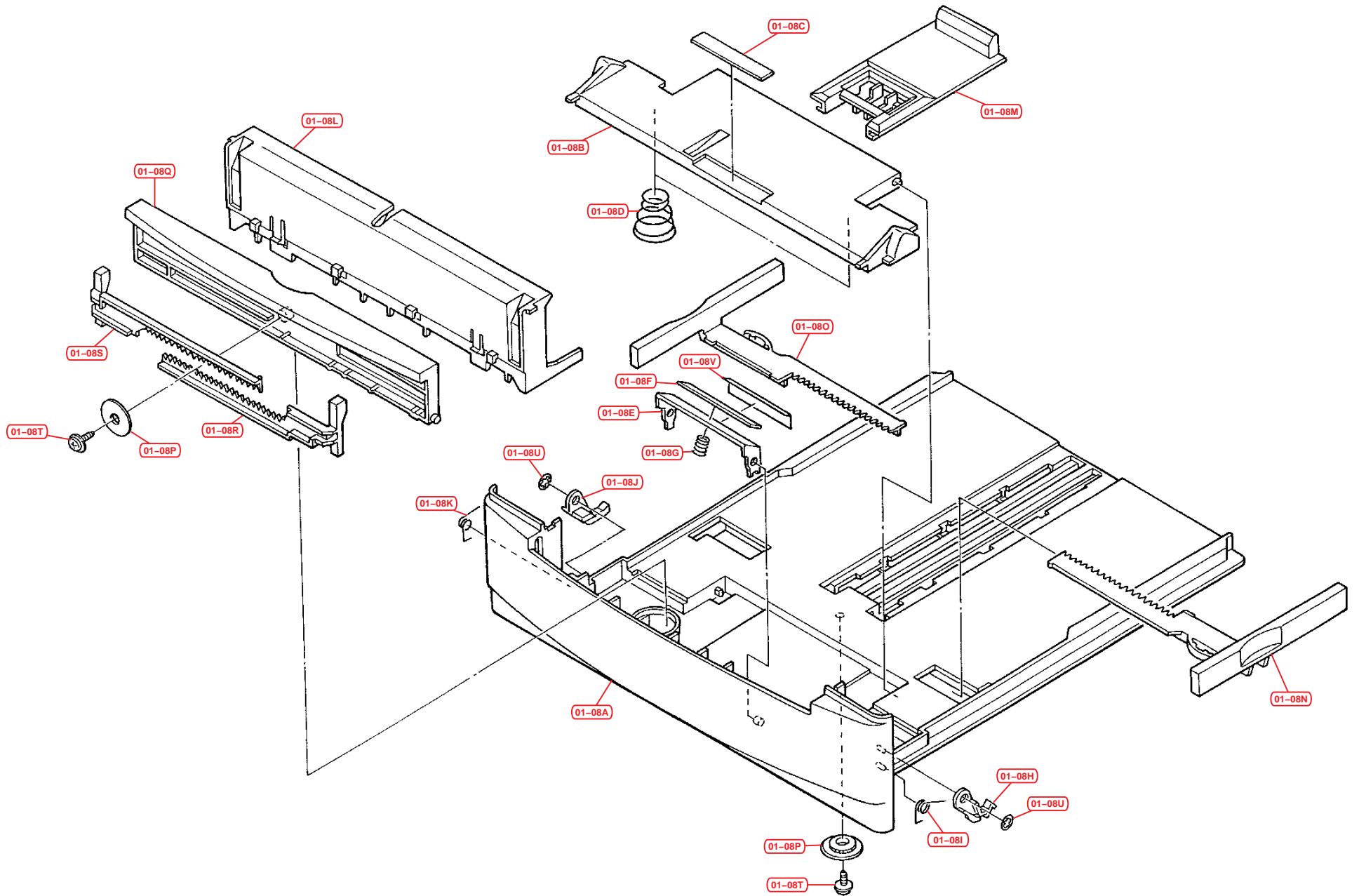
Toutes les autres pièces sont mentionnées à titre indicatif et ne sont pas disponibles.

Fig.1 – Capots supérieurs



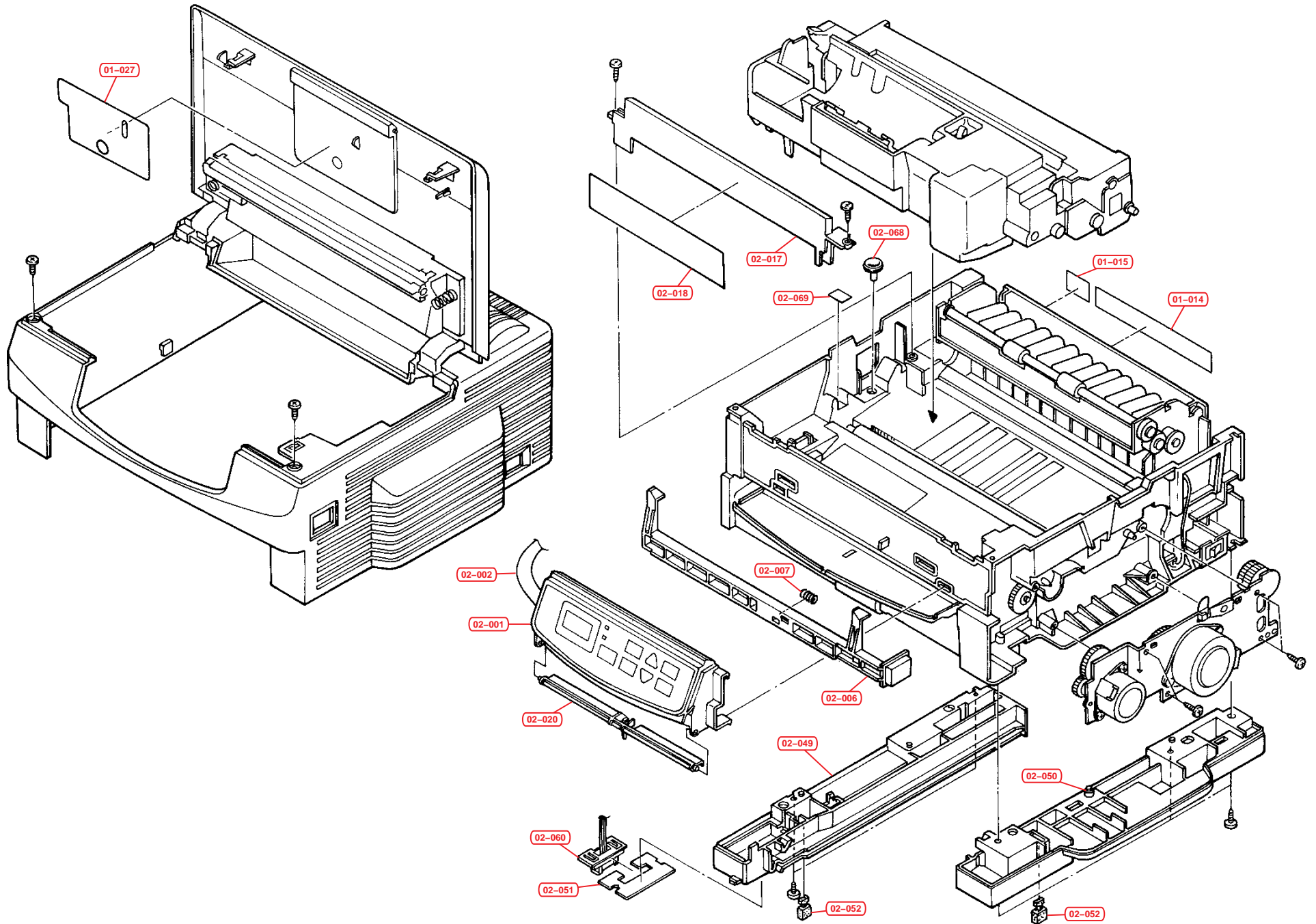
N°	Référence	Description
01-001	VX884SH005	COVER TOP
01-002	VX887SH001	COVER OUTER FS-400
01-003	MW261LD011	SPRING LED
01-004	MW261LD012	SPRING HOLDER
01-005	VX863SB008	HOLDER LED
01-006	AVPULLY012	PULLEY EXIT ASSY
01-06A	VM366DB001	PULLY EXIT
01-06B	MX332LD005	SPRING EXIT
01-007	VU761SH001	TRAY EXIT
01-008	PC13-A4	PAPER CASSETTE
01-009	VL442SH001	LOCKING COVER
01-010	LK-58	LED HEAD ASSY
01-014	VVSFS400E1	SERIAL NO. PLATE FS-400
01-015	VVL641WN33	LABEL CAUTION
01-016	VVL752WN01	LABEL DIAGRAM

Fig.1a – Bac papier



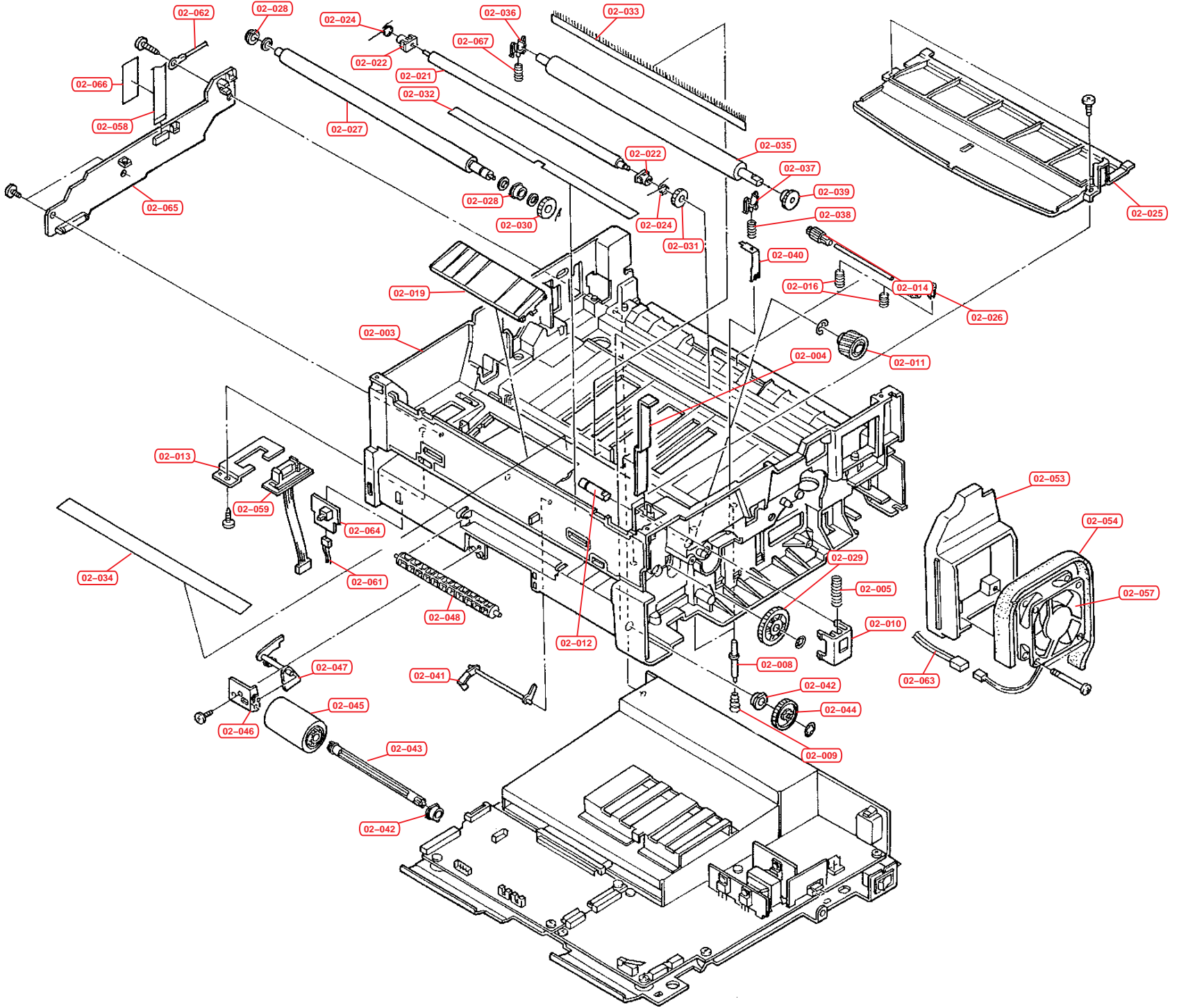
N°	Référence	Description
01-000	PC13-A4	PAPER CASSETTE
01-08A	VB886SH036	BASE CASSETTE
01-08B	VB862SH009	BOTTOM
01-08C	VS617WK001	PAD FRICTION
01-08D	MW381LD001	SPRING BOTTOM
01-08E	VB633SH002	PAPER SEPARATOR
01-08F	VS617WK002	PAD SEPARATOR
01-08G	MW261LD013	SPRING SEPARATOR
01-08H	VX322DW002	LOCK CASSETTE R
01-08I	MW161LD021	SPRING LOCK RIGHT
01-08J	VX322DW003	LOCK CASSETTE L
01-08K	MW161LD020	SPRING LOCK LEFT
01-08L	VB865SH006	GUIDE FRONT
01-08M	VL562SH001	STOPPER
01-08N	VX772SH001	GUIDE SIDE R
01-08O	VX772SH002	GUIDE SIDE L
01-08P	VG127SH003	GEAR MANUAL
01-08Q	VB842SH001	BASE MANUAL
01-08R	VX642SH005	GUIDE MANUAL R
01-08S	VX642SH006	GUIDE MANUAL L
01-08T	BTP43005WZ	TP. T.T. SCREW (+)
01-08U	BCS3025XSP	CS STOP RING
01-08V	VS623KF005	SHEET CASSETTE
01-008	AYFS400E3A	SEPARATOR ASSY E&F&G

Fig 2 – Couvercle



N°	Référence	Description
01-014	VVSFS400E1	SER. NO. PLATE
01-015	VVL641WN33	LABEL CAUTION
01-027	VVL752WN002	LABEL DIAGRAM
02-001 AFZFS400E1 KEY BOARD ASSY		
02-002	ACCNNF3GEA	CONN CORD ASSY
02-006 VL852SH001 HOOK		
02-007	MW561RD001	SPRING HOOK
02-017	VX832SH004	BASE HOLDER
02-018	VVL731WN13	LABEL FUSER CAUTION
02-020	VX722SB006	ACTUATOR MANUAL
02-049	VB863SH006	GUIDE CASSETTE L
02-050	VB854SH001	GUIDE CASSETTE R
02-051	MS646SD008	PLATE CONNECTOR
02-052	VX321RH001	FOOT
02-060	ACCNNE7GEA	CONN CORD ASSY
02-068	VN276SG001	KNOB LED
02-069	VS225CB001	SHEET VOLUME

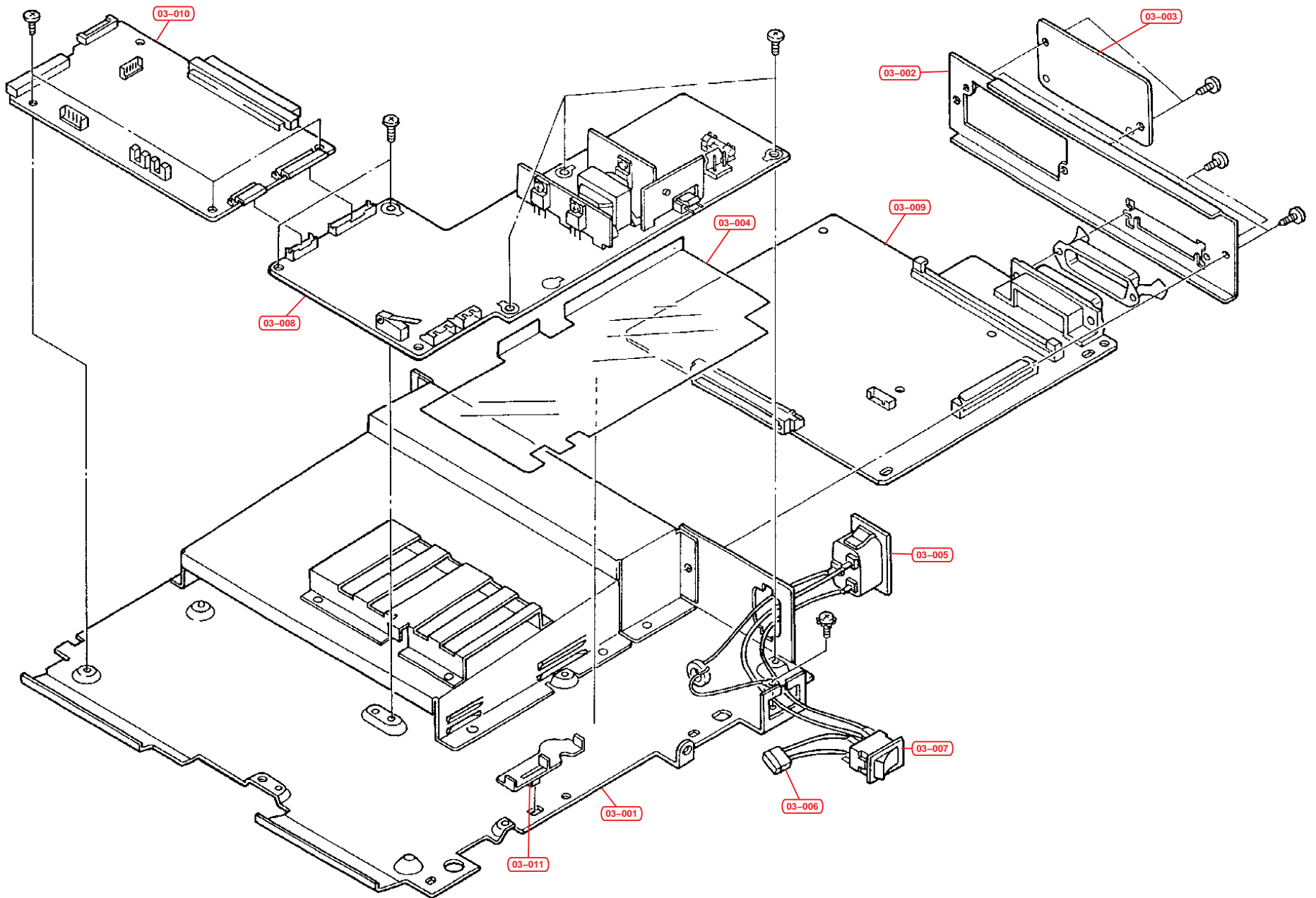
Fig.2a – Structure



N°	Référence	Description
02-003	VX887CB001	FRAME BASE
02-004	VZ632SB001	PLATE INTERLOCK
02-005	MW461LD005	SPRING INTERLOCK
02-008	MT454SZ001	PIN H/V
02-009	MW261LD010	SPRING H/V
02-010	VU332SB001	BKT INTERLOCK
02-011	VG137DN010	GEAR Z21H
02-012	MT366LD005	PIN GEAR
02-013	MZ631SD003	BRACKET CONNECT
02-014	VM366DW001	PULLEY EXIT FU
02-015	MT622SN002	SHAFT EXIT
02-016	MW231SD001	SPRING PULLEY
02-019	VU741SB001	ROM COVER
02-021	MT863LD003	ROLLER REGIST A
02-022	VX211DB012	BUSH REGIST A
02-024	MW167LD001	SPRING REGIST
02-025	VX874SB002	REGIST ENTRANCE
02-026	VM133DN001	BUSH SP PULLEY
02-027	MT876LD003	ROLLER REGIST B
02-028	VM176DN016	BUSH A
02-029	VG143DW001	GEAR REGIST Z33
02-030	VG137DW001	GEAR REGIST Z25
02-031	VG126DW002	GEAR REGIST Z16
02-032	VS722KF004	SHEET REGIST
02-033	VS825FF004	DISCHARGER
02-034	VS813KF004	SHEET T/R
02-035	MT876LD004	ROLLER TRANSFER
02-036	VX221DB016	BUSH TRANSFER L
02-037	VX221DB010	BUSH TRANSFER R
02-038	MW251LD013	SPRING TRANSFER R
02-039	VG127DB035	GEAR Z18
02-040	ML132LD002	CONTACT TRANSFER
02-041	VX632SB012	ACTUATOR FEED
02-042	VM176DN016	BUSH A
02-043	VM766SB001	SHAFT FEED
02-044	VG138DB047	GEAR FEED Z25
02-045	AVROLL*025	ROLLER FEED ASSY
02-046	VX332DW001	BUSH FEED L
02-047	VX442SB008	ACTUATOR EMPTY
02-048	VM773DW001	PULLEY FEED
02-053	VK399SB001	BRACKET FAN
02-054	VS878RB002	SEAL FAN
02-055	MX221LD017	EARTH FRAME A
02-056	MX544LD001	EARTH FRAME B
02-057	ZNF2403701*01	FAN MOTOR

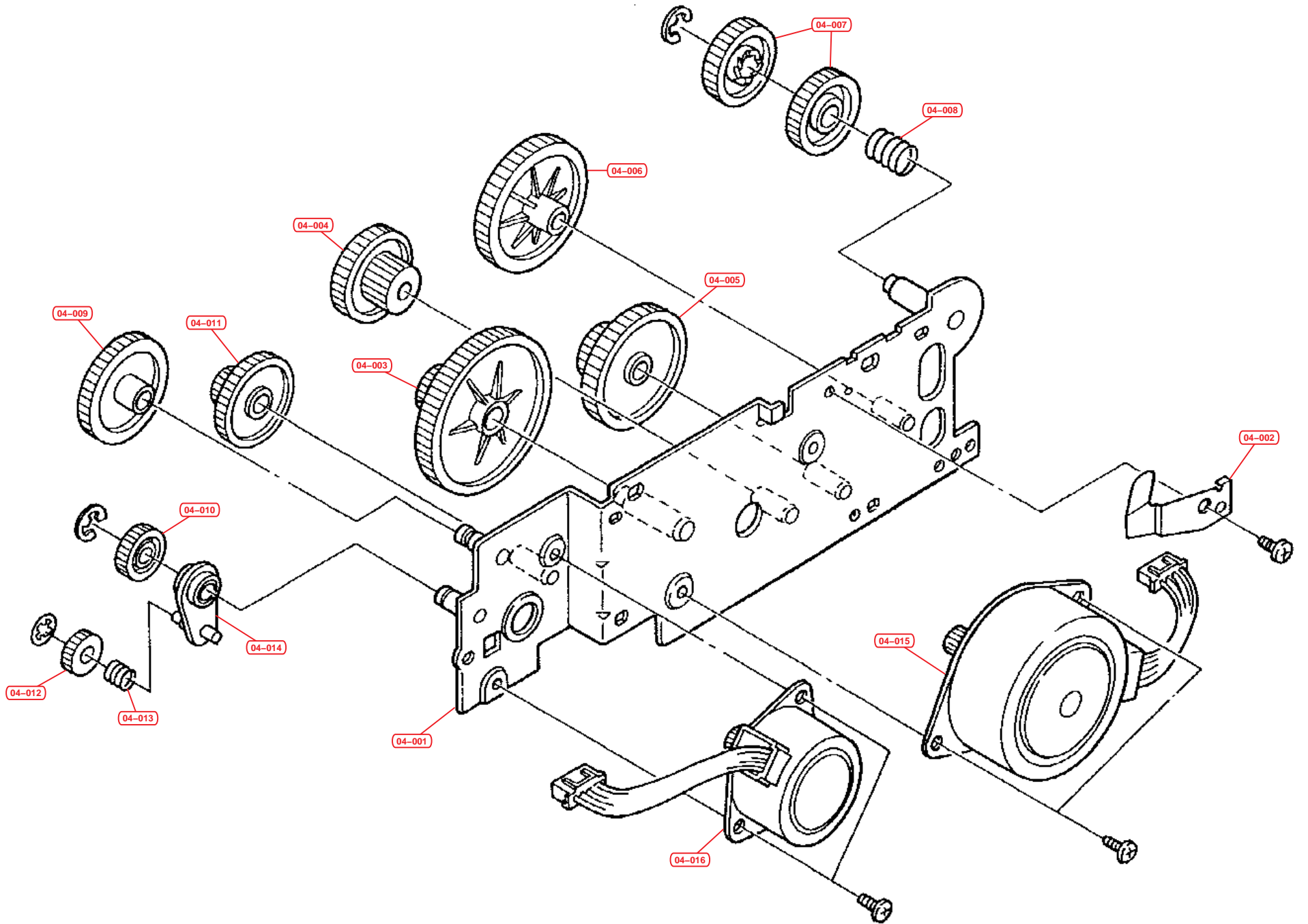
N°	Référence	Description
02-058	ACCNNF4GEA	CONN CORD ASSY
02-059	ACCNNE6GEA	CONN CORD ASSY
02-061	ACCNNQ8GEA	CONN CORD ASSY
02-062	ACCNNN7GEA	CONN CORD ASSY
02-063	ACCNNQ9GEA	CONN CORD ASSY
02-064	APRSWC1005AH	SENCOR PWB ASSY
02-065	APRZZC1040AH	INTERCONNECT PWB ASSY
02-066	VS635KB001	SHEET HARNESS
02-067	MW251LD010	SPRING TRANSFER L
02-070	AXRD013GEA	HIGH MEG. R59 ASSY
02-071	MX761SLS001	PLATE EARTH
02-072	VX862CB005	GUIDE PAPER
02-073	MW261LD012	SPRING HOLDER
02-074	VM133DN001	BUSH SP PULLEY
02-075	VS222XN002	SHEET FUSER
02-076	VS429RB004	SEAL BASE TONER

Fig.3 – Contrôleur



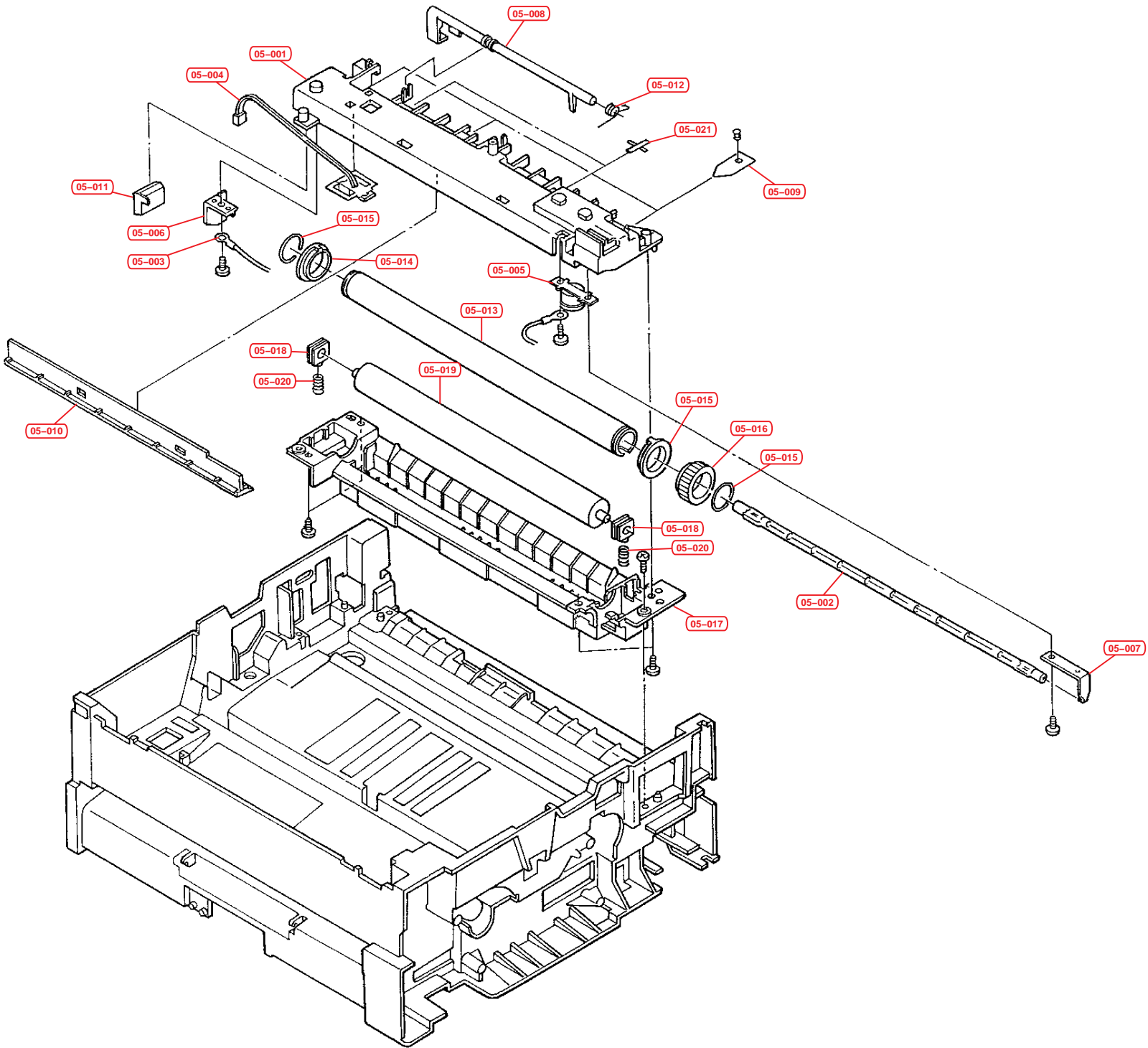
N°	Référence	Description
03-001	AVFRAME087	CONT. ASSY
03-002	MU851SD001	PANEL REAR
03-003	MS646SD009	PLATE CONTROLLER
03-004	VS762KF005	SHEET CONTROLLER
03-005	ACCNNR0GEA	AC INLET ASSY
03-006	ACCNNF2GEA	CONN. CORD ASSY
03-007	SC020111***01	MAIN SWITCH
03-008	AEZFS400E*1	POWER SUPPLY UNIT 240V
03-009	APRLGC2004AH	Main PWB ASSY
03-010	APRLGC2003AH	Engine PWB ASSY 240V
03-011	VX321SN001	SPACER CONT

Fig.4 – Mécanique



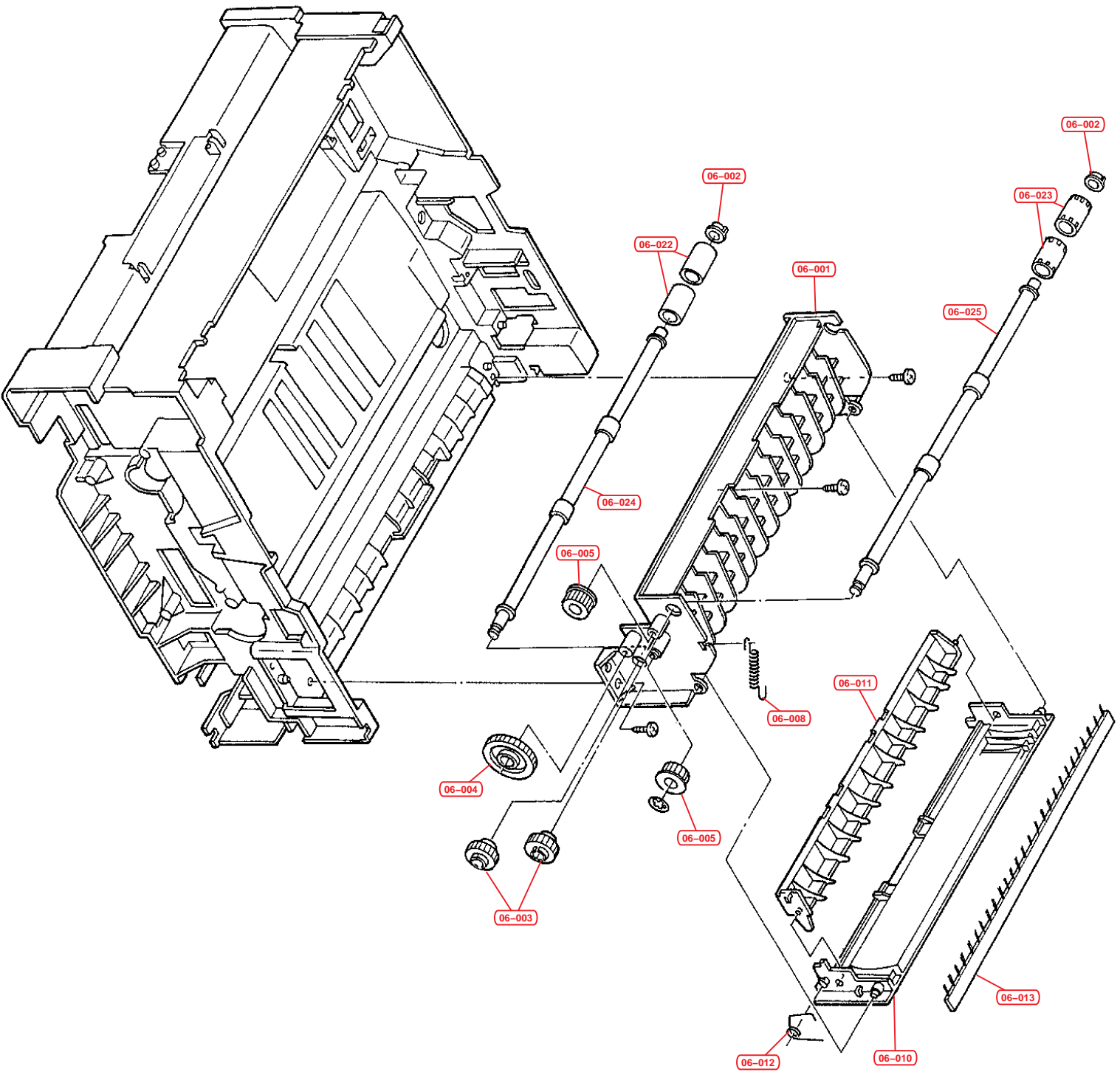
N°	Référence	Description
04-000	AYFS400E*04	DRIVE ASSY
04-001	MX867SD001	PLATE DRIVE
04-002	MP434LD001	PLATE EARTH
04-003	VG179DB002	GEAR Z102-H17
04-004	VG168DN010	GEAR Z58-Z18
04-005	VG158DN009	GEAR Z46-Z20
04-006	VG169DN009	GEAR Z54
04-007	VG148DN015	GEAR Z32
04-008	MW271LD006	SPRING GEAR
04-009	VG148DN014	GEAR IDLE Z40
04-010	VG127DN037	GEAR IDLE Z20
04-011	VG168DN009	GEAR Z14-Z60
04-012	VG127DN036	GEAR Z15
04-013	MW171LD004	SPRING MOVER A
04-014	VF226NN001	MOVER
04-015	ZNT2400404*01	MAIN MOTOR
04-016	ZNT2400403*01	FEED MOTOR

Fig.5 – Unité de fusion



N°	Référence	Description
05-000	FK-55	FUSER KIT 240V
05-001	VB863KB001	FRAME FUSER UP
05-002	ZPB2411520101	LAMP HEATER 240V
05-003	ACCNNF1GEA	CONN CORD ASSY 240V
05-004	AXTM006GEA	THERMISTOR ASSY
05-005	YFFQ15001**02	THERMAL CUT-OUT
05-006	MX222LD011	PLATE LAMP L
05-007	MX431LD003	PLATE LAMP R
05-008	VX721CB001	ACTUATOR FUSER
05-009	VX322XN003	SEPARATOR
05-010	VX822KB001	PLATE FUSER
05-011	VX322KB001	SUPPORT LAMP
05-012	MW161LD018	SPRING ACTUATOR
05-013	MT877AX002	ROLLER HEAT
05-014	VM188XN011	BUSH HEAT
05-015	MW171SJ002	RING STOP
05-016	VG138XN006	GEAR FUSER Z30
05-017	VB864KB001	FRAME FUSER LOW
05-018	VX221XN001	BUSH PRESS
05-019	MT876SN040	ROLLER PRESS
05-020	MW261LD008	SPRING FUSER
05-021	VM365CB001	PULLEY FUSER
05-022	MW361LD009	SPRING A
05-023	VX833KD001	PAPER CHUTE FUSER
05-024	MX322CD004	PLATE EARTH A

Fig.6 – Unité de sortie



N°	Référence	Description
06-000	AYFS400E*09	FACE DOWN UNIT
06-001	VX866SH008	FRAME EXIT
06-002	VM176DN016	BUSH A
06-003	VG127DN033	GEAR EXIT Z20
06-004	VG148DN013	GEAR Z35
06-005	VG127DN032	GEAR Z18
06-006	VT866SB001	ROLLER EXIT
06-007	VM277RH001	TYRE EXIT FD
06-008	MW531SD001	SPRING COVER
06-009	VM277RH002	TYRE EXIT FU
06-010	VX863SH003	COVER REAR
06-011	VX832SH003	GUIDE CHANGE
06-012	MW161LD015	SPRING CHANGE
06-013	VS824XF003	DISCHARGER FD
06-014	VM177RH001	TYRE EXIT FD A
06-022	VM277RB009	TIRE EXIT
06-023	VM277RH001	TIRE EXIT FD
06-024	AYFS400E*21	ENTRANCE ROLLER
06-025	AYFS400E*28	EXIT ROLLER

N°	Référence	Description
08-000	PU-1	PROCESS UNIT
08-001	VB866CB003	FRAME DRUM
08-003	VG037DN001	GEAR IDLE MC Z25H
08-004	VS811KF011	SEAL DRUM
08-005	VS217RB008	SEAL BLADE DRUM
08-006	VS318LB001	SEAL DRUM R
08-007	VS328LB001	SEAL DRUM L
08-008	VB865SB037	COVER DRUM
08-009	VS865AF001	SHEET AL
08-010	VG137DN006	GEAR SCREW Z23
08-011	VT865SB001	ROLL SWEEP
08-012	VG137DN007	GEAR SWEEP Z22
08-013	VG037DN002	GEAR IDLE SCREW
08-015	VS821KF014	SHEET SWEEP
08-016	VT864CB002	SCREW
08-017	VB865SB036	FRAME DRUM UP
08-018	MW161SD005	SPRING COVER DRUM
08-019	MC152LD001	PLATE BIAS MC
08-020	VM166CN001	BUSH DRUM R
08-021	VM166CN002	BUSH DRUM L
08-022	VM165DN004	BUSH SCREW
08-023	VM154XN001	BUSH SWEEP L
08-024	VM276DB009	BUSH S
08-025	MS322LD001	PLATE BIAS R
08-026	VG137DB057	GEAR IDLE MC Z23
08-027	VG126DB024	GEAR MC Z16
08-028	MT876SN041	ROLL MC
08-029	MT876SX009	ROLL CLN MC
08-030	VX331DB005	BUSH MR
08-031	VX331DB006	BUSH ML
08-032	VM166DB006	BUSH CLN MR
08-033	VM166DB007	BUSH CLN ML
08-034	MW131LD006	SPRING MC
08-035	VS821KF016	SHEET LED
08-036	MT865LD002	SHAFT DRUM
08-037	AVBLADE022	BLADE CLN ASSY
08-038	AYFS400E23	CASE BELT ASSY
08-039	AVDRUM*037	DRUM ASSY
08-040	VF147CB001	CAP DRUM R
08-041	VF147CB002	CAP DRUM L
08-042	VM150CB001	COLLAR DLP
08-044	VS819RB004	SEAL BLADE
08-045	VS826LF001	SEAL COVER DRUM
08-046	VS818RB007	SEAL MAG UP

N°	Référence	Description
08-047	VS218LB001	SEAL SIDE MAG
08-048	VS608RB008	SEAL SCREW
08-049	VS811KF014	SEAL MAG
08-050	VVL832WN01	LABEL DRUM
08-051	VS822KF007	SHEET DRUM
08-052	VS831KF003	SHEET DRUM UP
08-053	AXLD027GEA	LED ARRAY
08-054	VS325CN001	SPACER BLADE
08-055	VS332KB001	SHEET SIDE MAG
08-056	BWT42642CG	GND WASHER
08-057	VL311SB001	GUIDE PAPER DRUM R
08-058	VL311SB002	GUIDE PAPER DRUM L

N°	Référence	Description
09-001	VB866SB011	CASE DLP
09-002	VX865SB006	COVER DEVE
09-003	VX442DB002	FLANGE MG
09-004	ML821BD003	BLADE DLP
09-005	VS418YF001	SEAL SIDE DLP
09-006	VG127DN034	GEAR MIXER
09-007	VG137DN009	GEAR SUPPLY
09-008	VG148DB028	GEAR Z31S-Z15S
09-009	VS227LB002	SCRAPER SENSOR
09-010	VX755SB001	COVER HOPPER
09-011	AVROLER025	ROLL MAG
09-012	AVROLER026	ROLL SUPPLY
09-013	VG148DB029	GEAR Z32S-Z17S
09-014	VS326SB005	PLATE ANGLE
09-015	VG147DN007	GEAR Z34S-Z17S
09-016	MW231SX003	SPRING SHUTTER
09-017	VS431YB001	SEAL SHUTTER DLP
09-018	VS448RJ001	SEAL SHUTTER GUIDE
09-019	VS731KJ001	TAPE SENSOR FACE
09-020	VG142DN002	GEAR SCRAPER
09-021	VX766SB012	BKT GEAR MOTOR
09-022	VX720SN001	SCRAPER DLP
09-023	VX765SB003	COVER DLP
09-024	VVL542WN03	LABEL DLP
09-025	VS821KF015	SHEET MAG
09-026	MW401LD002	SPRING TACT
09-027	VG133DN003	GEAR JOINT DRUM
09-028	VG333DN001	GEAR Z30S-Z17S
09-029	VX663SB010	COVER PWB
09-030	VX755CB001	HOOK CONT
09-031	VG142DN001	WORM WHEEL DLP
09-032	VG122DN002	GEAR Z18S-Z16S
09-033	VS817RF012	SEAL L
09-034	VS217RF018	SEAL S
09-035	VS717RJ001	SEAL HOPPER A
09-036	VS617RJ002	SEAL HOPPER B
09-037	VS217RJ005	SEAL HOPPER C
09-038	VS927RJ001	SEAL HOPPER D
09-039	MS433LD001	PLATE GEAR
09-040	VG127DN035	GEAR CONT Z19
09-041	MW161LD019	SPRING HOOK
09-042	VX660SB001	SHAFT GEAR
09-043	VG143DN001	GEAR Z31S
09-044	VM170DN006	FLANGE TUBE L
09-045	VM870SN002	TUBE MIXER

N°	Référence	Description
09-046	VX821SN001	SHAFT MIXER
09-047	VX531SB003	SHUTTER DLP
09-048	VX662SB016	GUIDE SHUTTER DLP
09-049	VM276DB010	FLANGE TUBE R
09-050	ML322LD002	PLATE BIAS
09-051	VS201KN002	SEAL SHIELD CNT
09-052	VS711KF002	SHEET SCRAPER
09-053	AYFS400E27	TONER MOTOR ASSY
09-054	AXTS018GEA	TONER SENSOR ASSY
09-056	APRZZC2005AH	P.W. BOARD ASSY
09-057	VS412XJ002	TAPE SIDE DLP
09-058	VS818RF011	SEAL COVER DEVE L
09-059	VS218RF022	SEAL COVER DEVE S
09-060	VVL641WN35	LABEL CAUTION DLP
09-061	VS642KF005	SHEET SP
09-062	VS811RF008	SHEET BOTTOM DLP
09-063	ML711RD001	PLATE SUPPLY
09-064	VS621KF011	SHEET SCRAPER A
09-065	VS621KF012	SHEET SCRAPER B
09-073	VS422RF003	SHEET FRANGE
09-074	VS324RF003	SHEET CASE R
09-075	VS224RF002	SHEET CASE L
09-076	VS628LB001	SEAL CASE SIDE