



IMPRIMANTE PAGE

**FS-5500**



# NOMENCLATURE

06-11-1998

# FS-5500 Pièces détachées

## Table des matières

Capots (Fig.1).....	3
Structure supérieure (Fig.2).....	5
Structure inférieure (Fig.3).....	8
Tiroir inférieur (Fig.4).....	11
Contrôleur (Fig.5).....	13
Unité de sortie (Fig.6).....	15
Unité de fusion (Fig.7).....	17
Interconnexion (partie supérieure) (Fig.8).....	19
Interconnexion (partie inférieure) (Fig.9).....	21

## Introduction

Les figures qui suivent représentent l'assemblage de l'imprimante ou des options, par sous-ensembles.

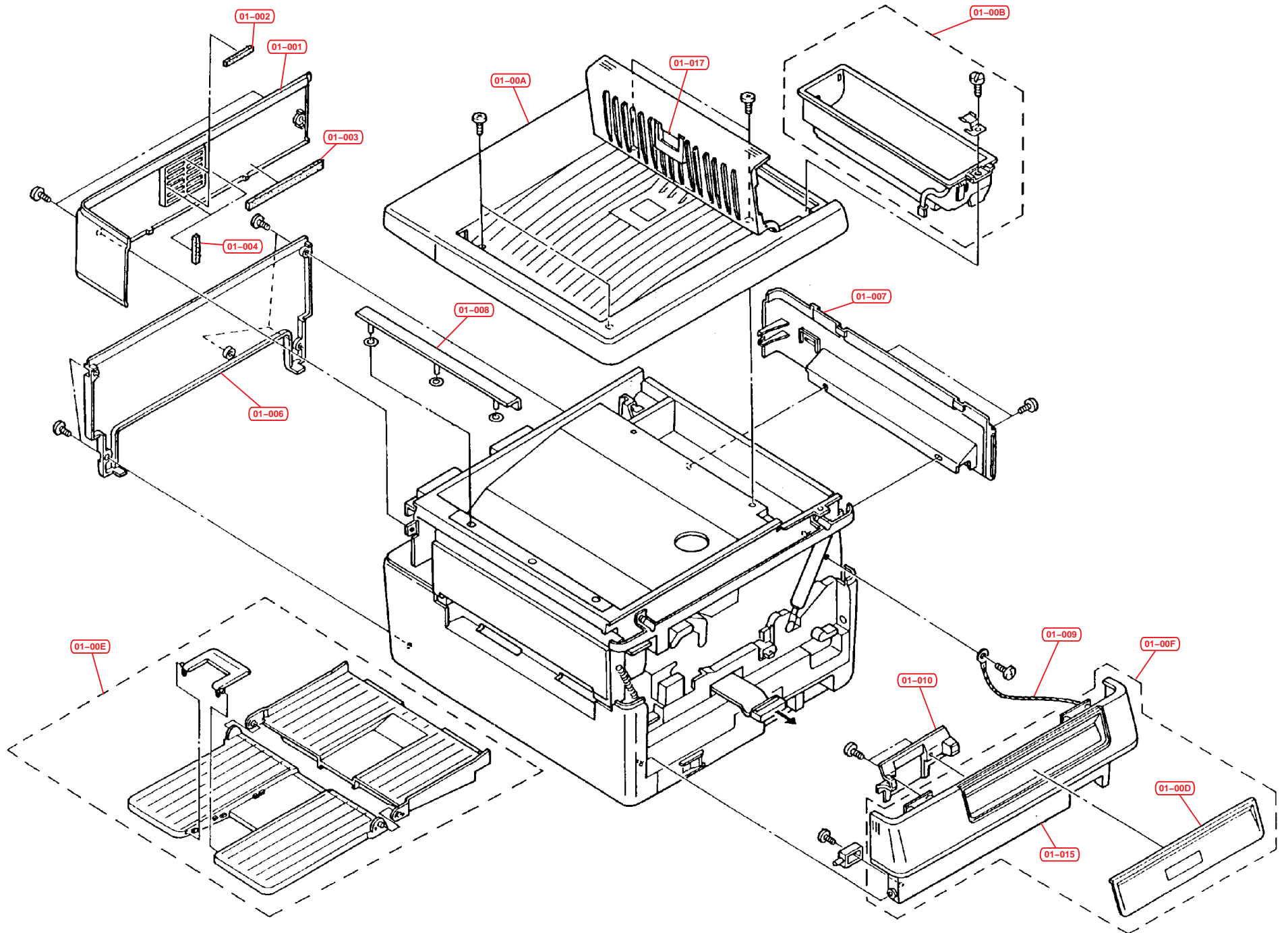
Les informations suivantes sont indiquées après chaque pièce :

N° .....	N° de la pièce dans l'éclaté
Référence.....	Référence de la pièce
Description .....	Description de la pièce ( en anglais )

Seules les pièces en caractères GRAS peuvent être commandées.

Toutes les autres pièces sont mentionnées à titre indicatif et ne sont pas disponibles.

Fig. 1 – Capots



N°	Référence	Description
01-00A	AVCOVER174	COVER TOP ASSY
<b>01-00B</b>	<b>AYL980**15</b>	<b>HOPPER TONER UNIT</b>
01-00D	AFZ5500E*1	KEYBOARD ASSY
<b>01-00E</b>	<b>AVTRAY*001</b>	<b>REC. TRAY ASSY</b>
01-00F	AY5500E*18	COVER FRONT ASSY
01-001	VB9763SH028	COVER REAR UP
01-002	VS619RN002	PAD LOUVER B
01-003	VS719RN001	SEAL REAR COVER
01-004	VS619RN001	PAD LOUVER A
01-006	VB973SH006	COVER REAR LOW
01-007	VB976SH027	COVER RIGHT UP
01-008	VLX31SH005	COVER EXIT
01-009	MW766LX001	WIRE COVER HOLD
01-010	AVCOVER163	COVER CABLE ASSY
01-015	VB976SH025	COVER FRONT
01-017	VB651SH001	COVER STOPPER



N°	Référence	Description
<b>02-00B</b>	<b>AYF5000*07</b>	<b>SCANNER UNIT</b>
02-00C	AY5500E*15	COVER SW ASSY
02-00D	AY5500E*20	FAN ASSY
02-00E	AY5500E*30	GEAR SUB ASSY
02-00F	AYL980**41	M FEED TRAY ASSY
02-00H	AYL980**43	MOTOR DLP ASSY
02-00I	AYL980**45	RAIL GUIDE DRUM ASSY
<b>02-004</b>	<b>MG138SX007</b>	<b>GEAR Z22S MOTOR DLP</b>
<b>02-005</b>	<b>MG138SV001</b>	<b>GEAR Z22S JNT MOTOR</b>
02-006	VS621SB001	PLATE FAN
02-007	ZNF2402802*01	MOTOR FAN
02-008	VX766SB011	HOLDER FILTER
<b>02-009</b>	<b>TNB71201***01</b>	<b>HI VOLTAGE UNIT 24V</b>
02-010	MZ666SL001	BRACKET HVU
02-012	VB7645B006	DUCT FAN EXHAUST
02-013	MU664MD001	PAN DRUM
02-014	MX631SX001	LATCH
02-016	MW461LD002	SPRING LATCH
02-017	VF277NB008	BUSHING
02-018	MS6S8SL002	PLATE DIVOTR
02-019	ACCNAN8GEA	CONN.CORD PCA2032
02-020	MX666SL004	BRACKET COVER UP
02-021	VS649RN002	SEAL FRAME MIDDLE
02-022	MX321SM001	CORD KEEP
02-023	VX331NN002	WIRE SADDLE
<b>02-024</b>	<b>AVDAMPR003</b>	<b>DUMPER GAS SPRING</b>
02-025	MX443SL002	BRACKET DUMPER B
02-026	VX821KX001	BRUSH DISCHARGE
02-027	APRAPC1007AH	PWB ASSY
<b>02-028</b>	<b>TNB45102***1</b>	<b>BIAS PWB</b>
02-029	MX886SL005	FRAME TOP UPPER
02-043	AY5500E*26	MOTOR TONER ASSY
02-044	ML442SL002	BRACKET SW HOPPER
02-046	VX322DB007	LEVER SW
02-047	VX442SB005	COVER SW
02-048	ACCNAP4GEA	CONN.CORD PCA3041
<b>02-049</b>	<b>AXSW023GEA</b>	<b>HOPPER SW ASSY</b>
02-050	ML421SL005	PLATE LEVER LOCK
02-051	VS222VB001	SHEET SCANNER
02-054	MX442SL002	BRACKET DUMPER
02-055	MS658SL001	PLATE PIVOT F
02-056	AVMGNET003	MAGNET CATCH
02-057	VB965SH001	COVER INNER FRONT UP
02-058	VSX29RN00S	SEAL FRAME UPPER

N°	Référence	Description
02-059	VX663DD001	KNOB RELEASE
02-060	MW361SD002	SPRING LEVER LOCK
<b>02-061</b>	<b>VX632DG001</b>	<b>LEVER LOCK DLP</b>
02-062	MX532SL006	BRACKET MAGNET
02-063	AXSW024GEA	FRONT SW ASSY
02-064	MX432SL003	PLATE SW F COVER
02-065	ML321RD001	PLATE EARTH F SWITCH
<b>02-066</b>	<b>APRVRC1006AH</b>	<b>BIAS ADJ PWB ASSY</b>
02-067	VN286SG001	KNOB DENSITY VR
02-068	AVFRAME079	FRAME UPPER ASSY
02-070	MX432RD002	PLATE EARTH UP
<b>02-073</b>	<b>AXLP013GEA</b>	<b>ERASER LAMP ASSY</b>
02-077	VX832CB002	HOLDER ERASER
<b>02-078</b>	<b>VX531XH002</b>	<b>PLUG MC</b>
02-080	VS878SN001	PAD FUSER UPPER
02-081	MX332LD001	SPRING CLEANER
02-082	MX432LD001	SPRING SHAFT FD
02-083	MT966SZ001	SHAFT FD
02-084	VS318RN001	PAD FD
02-085	VS642KN002	SHEET FAN
02-086	VS824RN001	PAD LASER
02-087	AVF1LTR002	OZONE FILTER ASSY
02-088	MT274SZ003	STUD SCREW
02-089	VX41NN002	LOCKING CAM SPACER
02-090	VX211NN021	LOCKING CARD SPACER
02-091	VS767KX001	SHEET APC
02-092	VS837KF001	PAD FD UPPER
02-093	VK121NN001	EDGING SADDLE

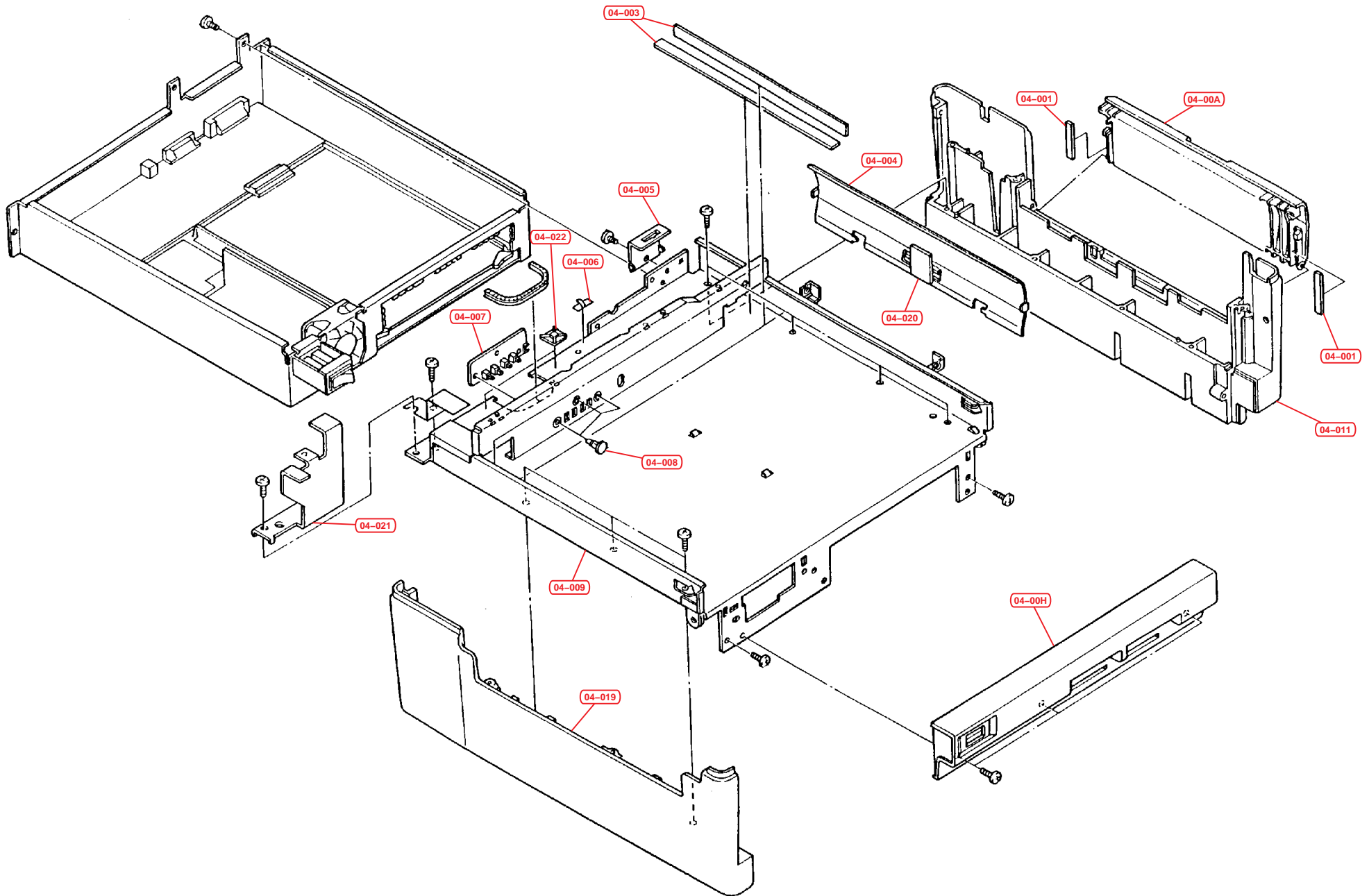




N°	Référence	Description
03-00A	AYF5000*27	TC SUPPORT ASSY
03-00B	AYL980**34	BELT TRANS ASSY
03-00C	AYL980**35	ROLL REGIST UP ASSY
03-00D	AYL980*36	FRAME FEEDER ASSY
03-00E	AYL980*37	ROLL REGIST LOW ASSY
03-00F	AYL980*38	ACTUATOR FEED ASSY
03-00G	AYL9X0*39	BKT JOINT FUSER ASHY
03-00H	AYL980*40	PLT JOINT DRUM ASSY
03-00I	AYL980*47	SHAFT CAM FEED ASSY
03-001	MX753SL003	BRACKET CONN.CORD LOW
<b>03-002</b>	<b>VB966SH002</b>	<b>COVER INNER REAR</b>
03-003	MW361LD002	SPRING JOINT DR
03-004	MX663SL006	BRACKET DUMPER E
03-005	MX763SL012	LEVER LOCK
<b>03-006</b>	<b>MM176CJ003</b>	<b>METAL BUSH KD</b>
03-008	YYFAAE024**01	MICRO CLUTCH Z2 6-A-1
03-010	MW361LD001	SPRING FEEDER
03-018	MX321LD011	PIN STOPPER
<b>03-019</b>	<b>AVROLL*20</b>	<b>ROLL FEED ASSY</b>
<b>03-021</b>	<b>MM121XJ001</b>	<b>REGIST ROLLER BUSH</b>
<b>03-022</b>	<b>MW345LJ002</b>	<b>REGIST SPRING A</b>
03-024	AVSHILD031	TC ASSY
03-025	MX852SN003	GUIDE FEED UP
03-026	AY5500E*24	RIGHT SW ASSY
<b>03-027</b>	<b>VX411SB001</b>	<b>LEVER MICRO SW</b>
03-028	VX633SH002	HOLDER MICRO SW LOW
<b>03-029</b>	<b>VX664SH001</b>	<b>HOLDER MICRO SW UP</b>
03-030	MX872SN001	GUIDE CHUTE LOW
03-031	MXH42SN001	GUIDE CHUTE UP
03-032	MX832SX002	GUIDE FEED MIDDLE
03-033	VX643SH001	COVER INNER BASE
03-034	MX855SX001	GUIDE FEED LOW
<b>03-036</b>	<b>VX532DH001</b>	<b>KNOB RELEASE CASSETTE</b>
03-037	VB963SH004	COVER INNER FRONT LOW
03-038	MXS53SL001	PLATE HOOK F
<b>03-039</b>	<b>VX632XH001</b>	<b>RECEPTACLE TC</b>
03-040	VX331DB004	GUIDE FRONT DRUM
03-042	MF121SZ001	BUSH PIVOT
03-043	MX222LD003	FOOK F RIGHT COVER
<b>03-045</b>	<b>TNB66201***03</b>	<b>HI VOLTAGE UNIT 24V</b>
03-050	MX222LD004	FOOK R RIGHT COVER
03-052	VS211KF013	SHEET FEED CLUTCH
03-055	VK121NN001	EDGING SADDLE
<b>03-057</b>	<b>VM276DB004</b>	<b>ROLL TENSION</b>

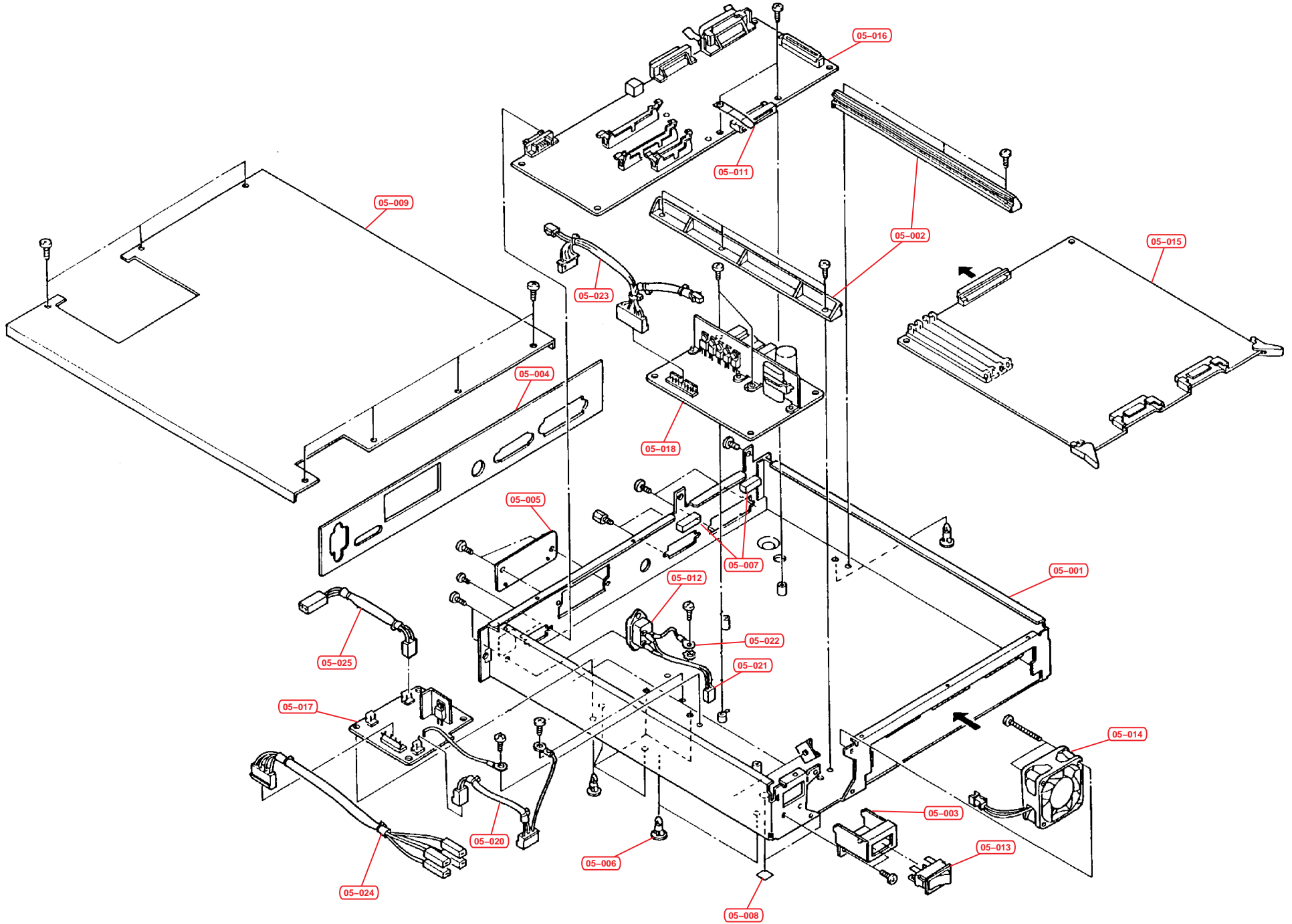
N°	Référence	Description
03-058	VF277NB008	BUSHING
<b>03-059</b>	<b>VM19ORN002</b>	<b>BELT DRIVE MAIN</b>
03-060	VG159DB001	GEAR Z50S
03-061	VG138DB16	GEAR Z30H-Z36S
<b>03-062</b>	<b>MG069SX001</b>	<b>GEAR Z60H MOTOR</b>
03-066	MXS42SL002	PLATE HOOK R
03-067	AYSSOOE*25	UPPER FRAME SW ASSY
03-068	VU321SB002	HOLDER SHELL SW
03-069	MS726RD001	PLATE CABLE
<b>03-073</b>	<b>AXMT006GEA</b>	<b>MAIN MOTOR ASSY</b>
03-074	AVPLATE014	PLATE BASE UP ASSY
03-083	AVFRAME075	FRAME REAR LOW ASSY
03-084	VS323KN004	SHEET FEED ACTUATOR
03-085	VS812KN003	SHEET CHUTE
03-086	VX664SH002	COVER INNER B
03-087	MX321SM001	CORD KEEP
03-088	VVL311WN17	LABEL HV CAUTION

Fig.4 – Tiroir inférieur



<b>N°</b>	<b>Référence</b>	<b>Description</b>
04-00A	AVCOVER173	BASE R COVER ASSY
04-00H	AY5500E*19	BASE FRONT ASSY
04-001	VS227RH001	SPACER R COVER
04-003	VS811KN004	SLIDER CASSETTE R
04-004	MXB62SN001	GUIDE FEED ROLL
04-005	ML542SL005	BRACKET CONNECTOR LOW
04-006	MX332SM001	CORD KEEP
04-007	APRSWC1002CH	PWB ASSY CAS. SIZE
04-008	VX211NN019	LOCKING. CARD SPACER
04-009	AVPLATE021	PLATE LOWER ASSY
04-011	AVBASE*009	BASE R ASSY
04-019	AVBASE*008	BASE L ASSY
04-020	VS653KF003	SHEET FEED
04-021	MX757SD001	BRACKET INNER COVER
04-022	VX221NN027	CABLE TIE HOLDER
04-023	MS621AJ001	SHEET EARTH BASE LOW

Fig.5 – Contrôleur



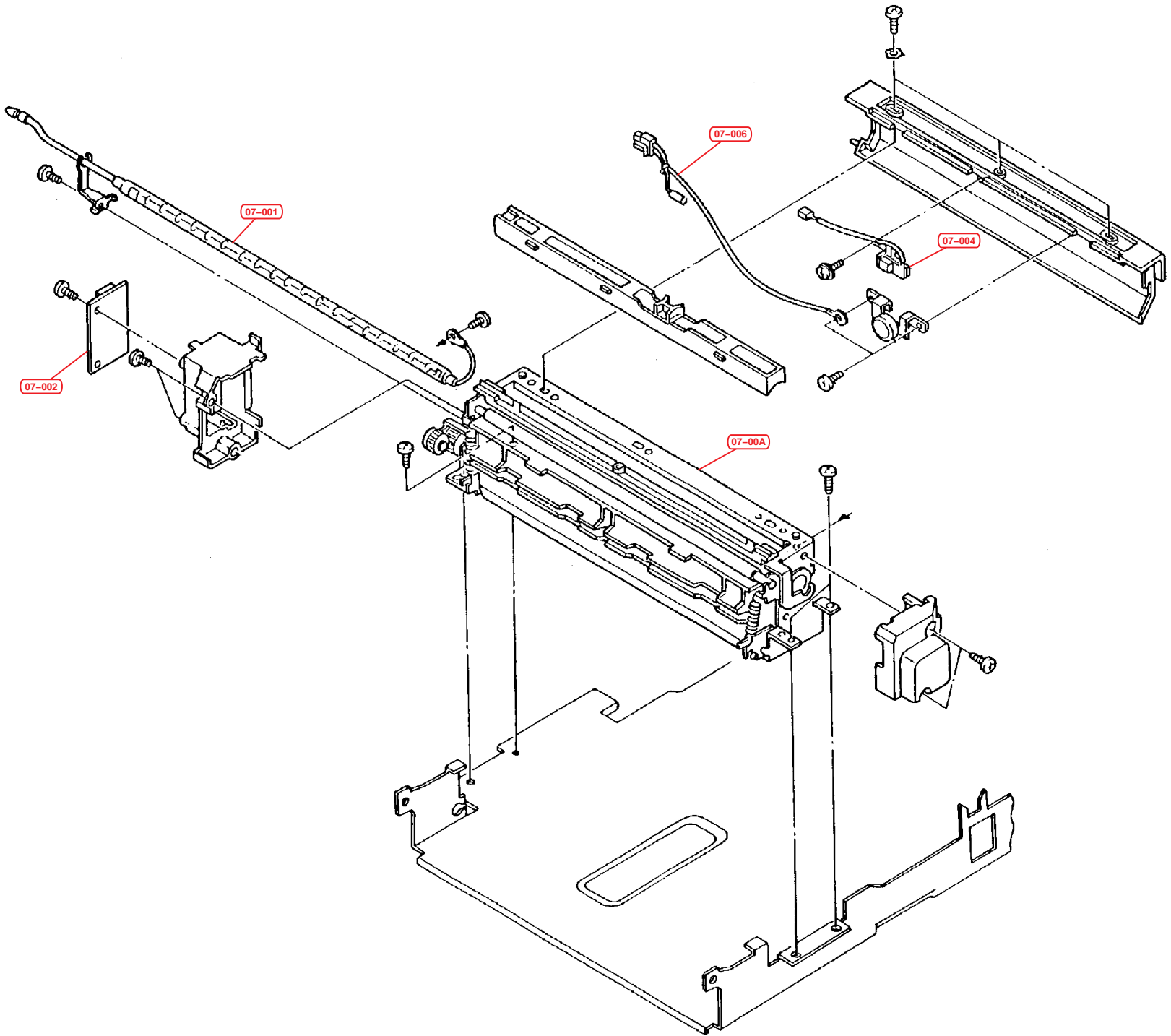
N°	Référence	Description
05-001	AVFRAME078	CONTROLL BOX ASSY
05-002	VX822SL001	GUIDE RAM PWB
05-003	MX554SL001	BRACKET SWITCH
05-004	VS865CE004	SHEET PANEL REAR
05-005	MS646SL004	PLATE CONNECT.8
05-006	VX211NN019	LOCKING CARD SPACER
05-007	VS211RN002	SEAL TAP
05-008	VS223KB001	F MASK SEAL
05-009	MS986SL016	LID CONT BOX
05-010	VX221NN027	CABLE TIE HOLDER
05-011	MX414LD001	GUIDE MAIN PWB
05-012	AYS500E*28	INLET ASSY
05-013	SC020107**01	SEE-SAW SW.ULCSA
05-014	ZNF2403002*01	FAN MOTOR
<b>05-015</b>	<b>APRLGG4013AH</b>	<b>MAIN PWB ASSY</b>
05-016	APRCZG2012AH	ENGINE PWB ASSY
<b>05-017</b>	<b>APRZZC1030BH</b>	<b>AC PWB ASSY</b>
<b>05-018</b>	<b>AEZ4000E*1</b>	<b>SWITCHING REGULATOR</b>
05-020	ACCNJL9GEA	CONN.CORD S00603
05-021	ACCNLP1GEA	CONN.CORD ASSY
05-022	ACCNLT2GEA	CONN.CORD ASSY
05-023	ACCNJL6GEA	CONN.CORD S00600
05-024	ACCNJM3GEA	CONN.CORD S00607
05-025	ACCNJL8GEA	CONN.CORD S00602



N°	Référence	Description
06-00A	AYL980**32	SHAFT RELEASE ASSY
06-00B	AYL980**33	SOLENOID ASSY
06-00C	AYL980**55	FRAME LOWER FD ASSY
06-00D	AYL980**53	COVER FD ASSY
06-001	VM177DB006	PULLEY FD
<b>06-002</b>	<b>MM176CJ003</b>	<b>METAL BUSH KD</b>
<b>06-003</b>	<b>MT886SN003</b>	<b>ROLL FD EXIT</b>
06-004	VX866SH002	COVER INNER FD
06-005	MX221LD005	SPRING HOLDER
06-006	MT886SN004	ROLL FD ENTER
06-007	VX876SH013	FRAME FD
06-008	VG138DB017	GEAR Z21S FD
<b>06-009</b>	<b>VM190RB012</b>	<b>BELT FD</b>
06-011	MW171LD002	SPRING GUIDE FD
06-012	VX322DB008	ARM GUIDE FD
<b>06-017</b>	<b>MW661LD001</b>	<b>SPRING FD</b>
06-019	VX88SSH002	GUIDE FD
06-020	MX422RD001	PLATE EARTH
06-021	MX765RD001	PLATE EARTH FD
06-032	VN460DG001	LEVER RELEASE
06-033	VX442CB002	PLATE PIVOT FD
<b>06-042</b>	<b>VX663SH004</b>	<b>COVER FRONT FD</b>

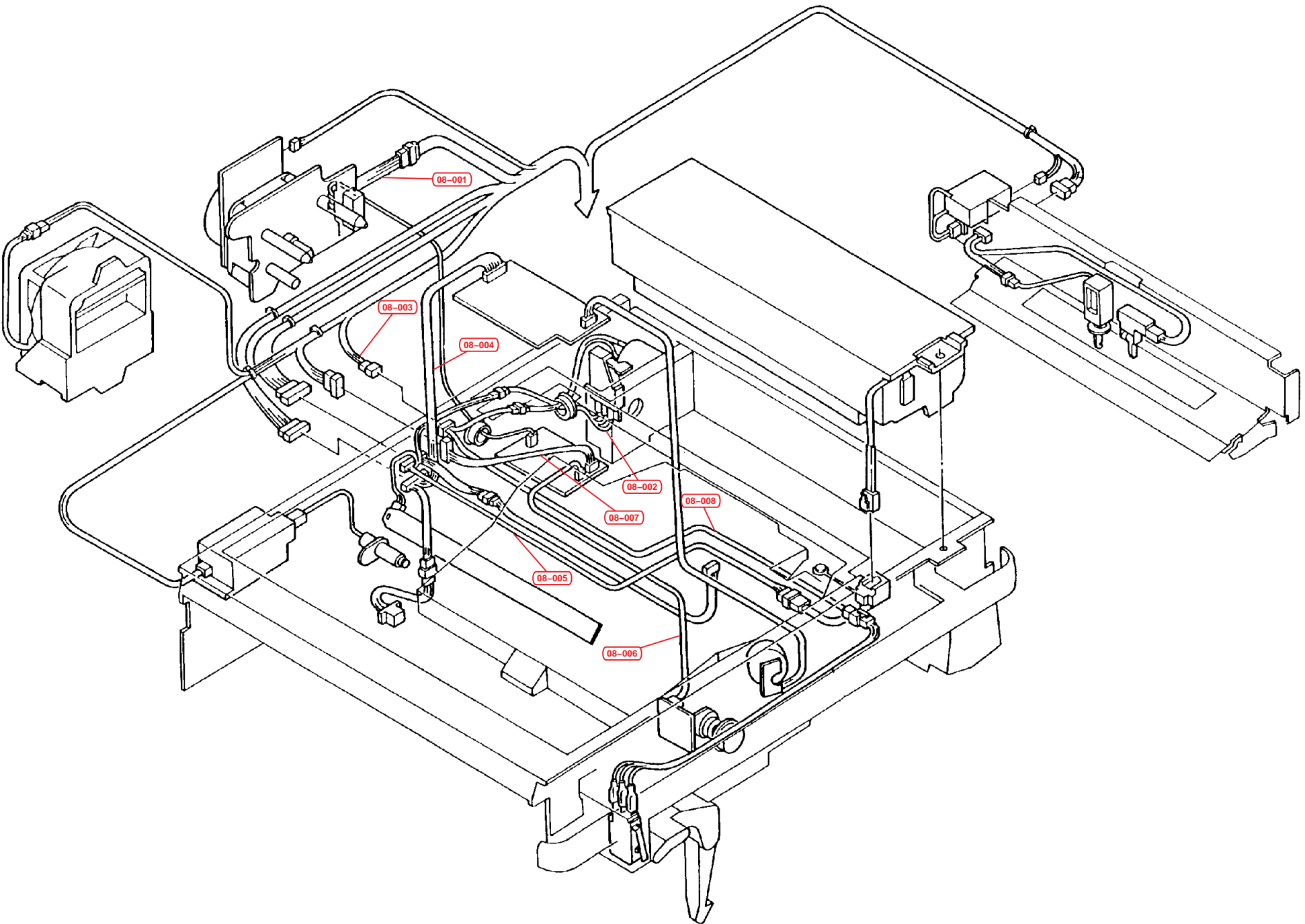


Fig.7 – Unité de fusion



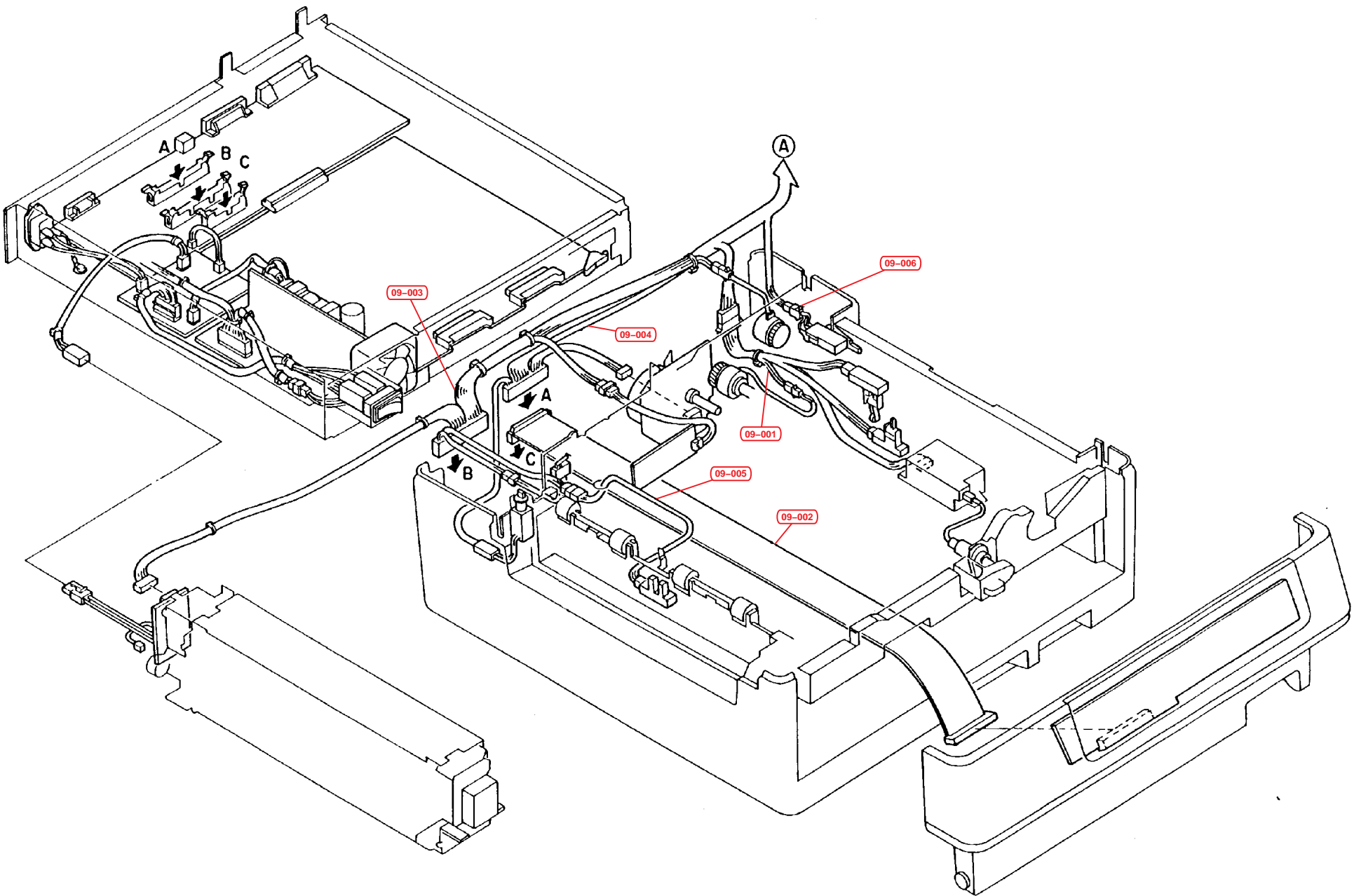
N°	Référence	Description
<b>07-000</b>	<b>FK-8</b>	<b>FUSER UNIT</b>
07-00A	AY5500E*21	FUSER MECH UNIT
07-001	ZPB2412920101	HEATER LAMP
<b>07-002</b>	<b>APRHCC1005AH</b>	<b>Heater PWB ASSY</b>
<b>07-004</b>	<b>AXTM003GEA</b>	<b>THERMISTOR ASSY</b>
07-005	YFFQ23001**01	THERMOSTAT 240V 230C
07-006	ACCNLW5GEA	CONN CORD S00623
	MT887AX003	HEATER ROLLER
	MT886SX016	PRESS ROLLER

Fig.8 – Interconnexion (partie supérieure)



<b>N°</b>	<b>Référence</b>	<b>Description</b>
08-001	ACCNJL0GEA	CONN CORD S00594
08-002	ACCNGU6GEA	CONN CORD S00331
08-003	ACCNJL1GEA	CONN CORD S00595
08-004	ACCNJK2GEA	CONN CORD S00586
08-005	ACCNJK4GEA	CONN CORD S00588
08-006	ACCNJK7GEA	CONN CORD S00591
08-007	ACCNJK9GEA	CONN CORD S00593
08-008	ACCNJK3GEA	CONN CORD S00587
08-009	ACCNGU5GEA	CONN CORD S00330

Fig.9 – Interconnexion (partie inférieure)



<b>N°</b>	<b>Référence</b>	<b>Description</b>
09-001	ACCNGT2GEA	CONN CORD S00307
09-002	ACCNJJ7GEA	CONN CORD S00581
09-003	ACCNJM2GEA	CONN CORD S00606
09-004	ACCNJM1GEA	CONN CORD S00605
09-005	ACCNJL5GEA	CONN CORD S00599
09-006	ACCNJL2GEA	CONN CORD S00596
09-007	ACCNLW4GEA	CONN CORD S00622