



IMPRIMANTE LASER

FS-5800c



NOMENCLATURE

FS-5800c Pièces détachées

Table des matières

Capots (arrière/gauche) (Fig.1).....	3
Capots (droite/face) (Fig.2).....	5
Entrainement papier (Fig.3).....	7
Entrainement papier (Fig.4).....	9
Alimentation (Fig.5).....	12
Unité d'éjection du papier (Fig.6).....	14
Sélection unité de développement (Fig.7).....	16
Unité de sortie (Fig.8).....	18
Pièces principales (Fig.9).....	20
Connecteur de la carte contrôleur (Fig.10).....	22
Carte principale (Fig.11).....	24
Unité de contrôle du toner (Fig.12).....	26
Base mécanique (Fig.13).....	28
Base mécanique (Fig.14).....	30
Base mécanique (Fig.15).....	32
Bac papier (Fig.16).....	34
Unité de fusion (Fig.17).....	36

Introduction

Les figures qui suivent représentent l'assemblage de l'imprimante ou des options, par sous-ensembles.

Les informations suivantes sont indiquées après chaque pièce :

N°	N° de la pièce dans l'éclaté
Référence.....	Référence de la pièce
Description	Description de la pièce (en anglais)

Seules les pièces en caractères GRAS peuvent être commandées.

Toutes les autres pièces sont mentionnées à titre indicatif et ne sont pas disponibles.

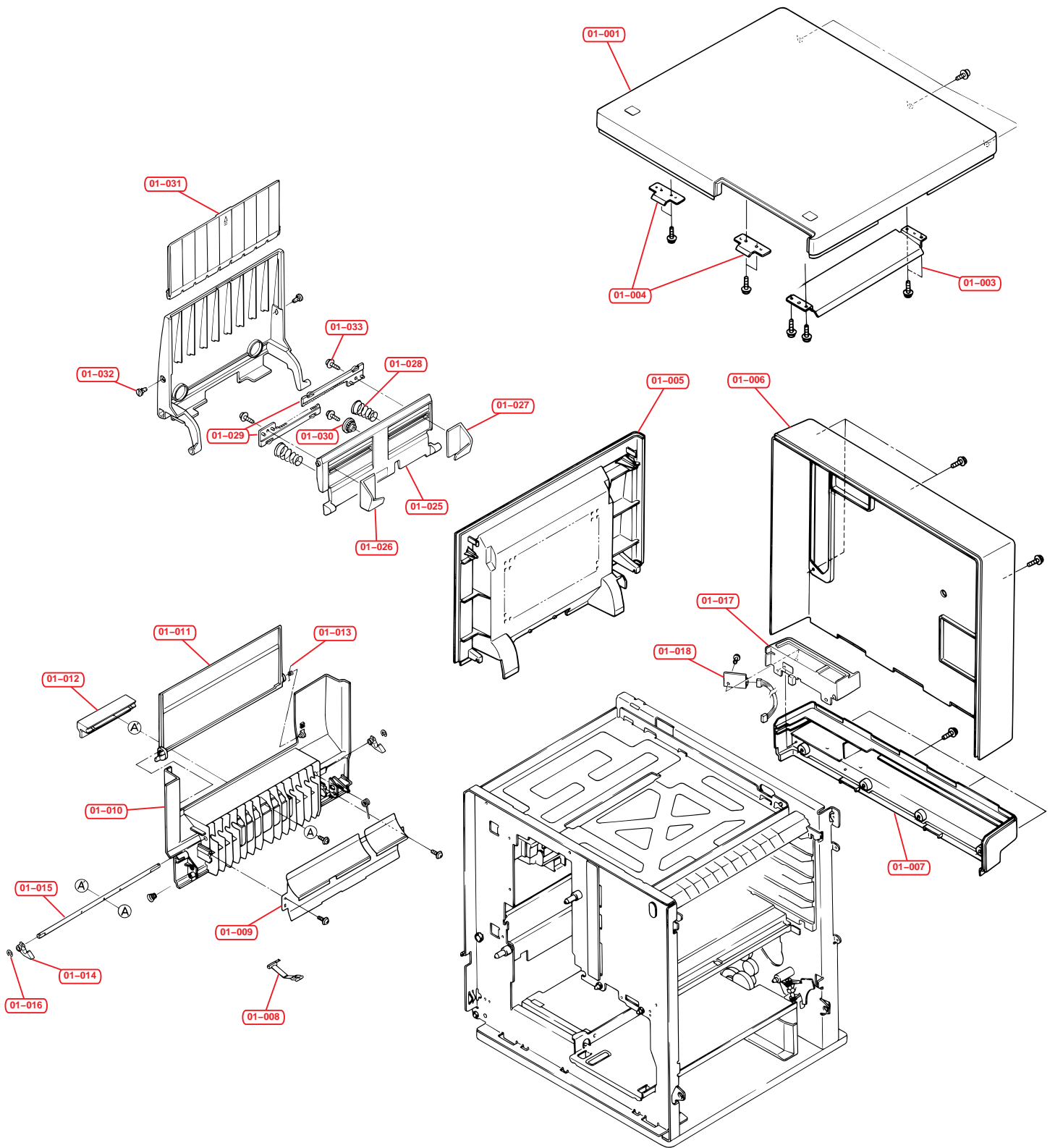


Fig.1 – Capots (arrière/gauche)

N°	Référence	Description
01-001	NSP0012572	Top Cover
01-002	NSP0012555	Spring A
01-003		Paper Guide
01-004		Top Cover Retainer
01-005	NSP0012485	Left Side Cover
01-006	NSA580CE01	Upper Rear Cover Assembly
01-007	NSP0012492	Lower Rear Cover
01-008	NSP0012558	Strap
01-009	NSA580CE04	Paper Chute Assembly
01-010	NSP0012486	Left Side Door
01-011	NSA580CE05	Tray Cover Assembly
01-012	NSP0012549	Tray Cover Lever
01-013	NSP0012548	Tray Cover Spring
01-014	NSP0012559	Left Side Door Hook
01-015	NSP0012561	Left Side Door Shaft
01-016	NSP0012560	E-ring
01-017		Temperature/Humidity Sensor Case
01-018		Temperature/Humidity Sensor Board
01-019		Rivet
01-020	NSP0012550	Screw 3 x 8
01-021		Screw 3 x 6
01-022	NSP0012551	Screw 3 x 12
01-023	NSP0012556	Spring B
01-024	NSP0012487	Multi Purpose Tray Holder
01-025	NSA580CE06	MPF Paper Support Assembly
01-026	NSP0012488	Paper Guide Right
01-027	NSP0012489	Paper Guide Left
01-028	NSP0012557	Paper Guide Spring
01-029	NSP0012552	Rack
01-030	NSP0012553	Pinion Gear
01-031	NSP0012490	Extension Tray
01-032	NSP0012554	Bushing
01-033	NSP0012562	Screw 3 x 8

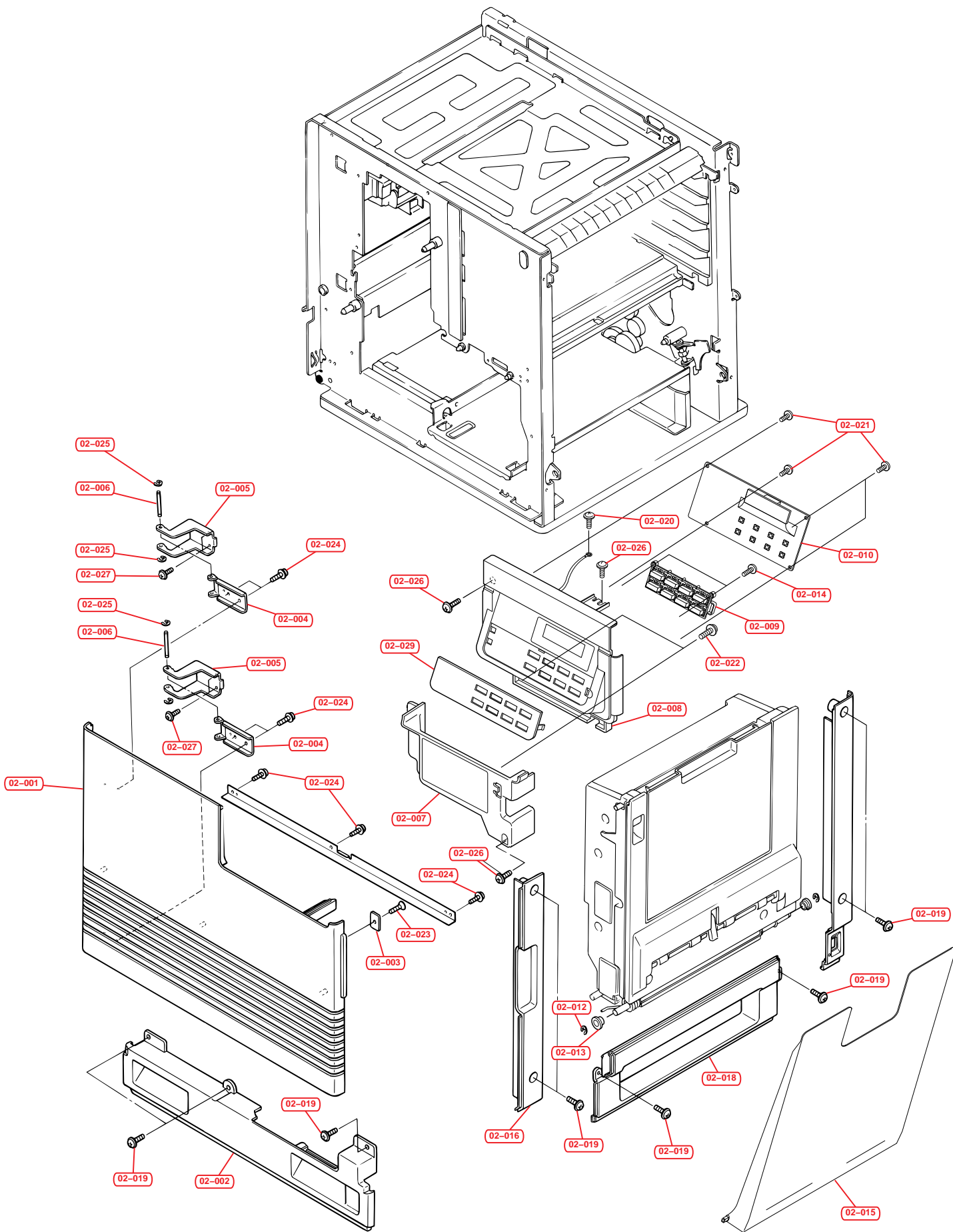


Fig.2 – Capots (droite/face)

N°	Référence	Description
02-001	NSA580CE02	Front Cover Assembly
02-002	NSP0012493	Bottom Front Cover
02-003		Magnet Retainer
02-004		Front Cover Hinge Support
02-005		Front Cover Hinge
02-006		Hinge Shaft
02-007	NSP0012526	Lower Operation Panel Cover
02-008		Operation Panel Cover
02-009		Operation Button
02-010		Printer LCD Board
02-011		LCD Board Bracket
02-012		E-ring
02-013		Bushing
02-014		Screw 3 x 6
02-015	NSP0012494	Paper Exit Tray
02-016	NSP0012495	Right Side Front Cover
02-017	NSP0012496	Right Side Rear Cover
02-018	NSP0012497	Right Side Lower Cover
02-019		Screw 3 x 6
02-020		Screw 2 x 6
02-021		Screw 2 x 6
02-022		Screw 3 x 10
02-023		Screw 3 x 8
02-024		Screw 3 x 8
02-025		E-ring
02-026		Screw 3 x 8
02-027		Screw 3 x 5
02-028		Door Reinforcement
02-029	VS747CH001	Panel Key English
02-029	VS747CH003	Panel Key French

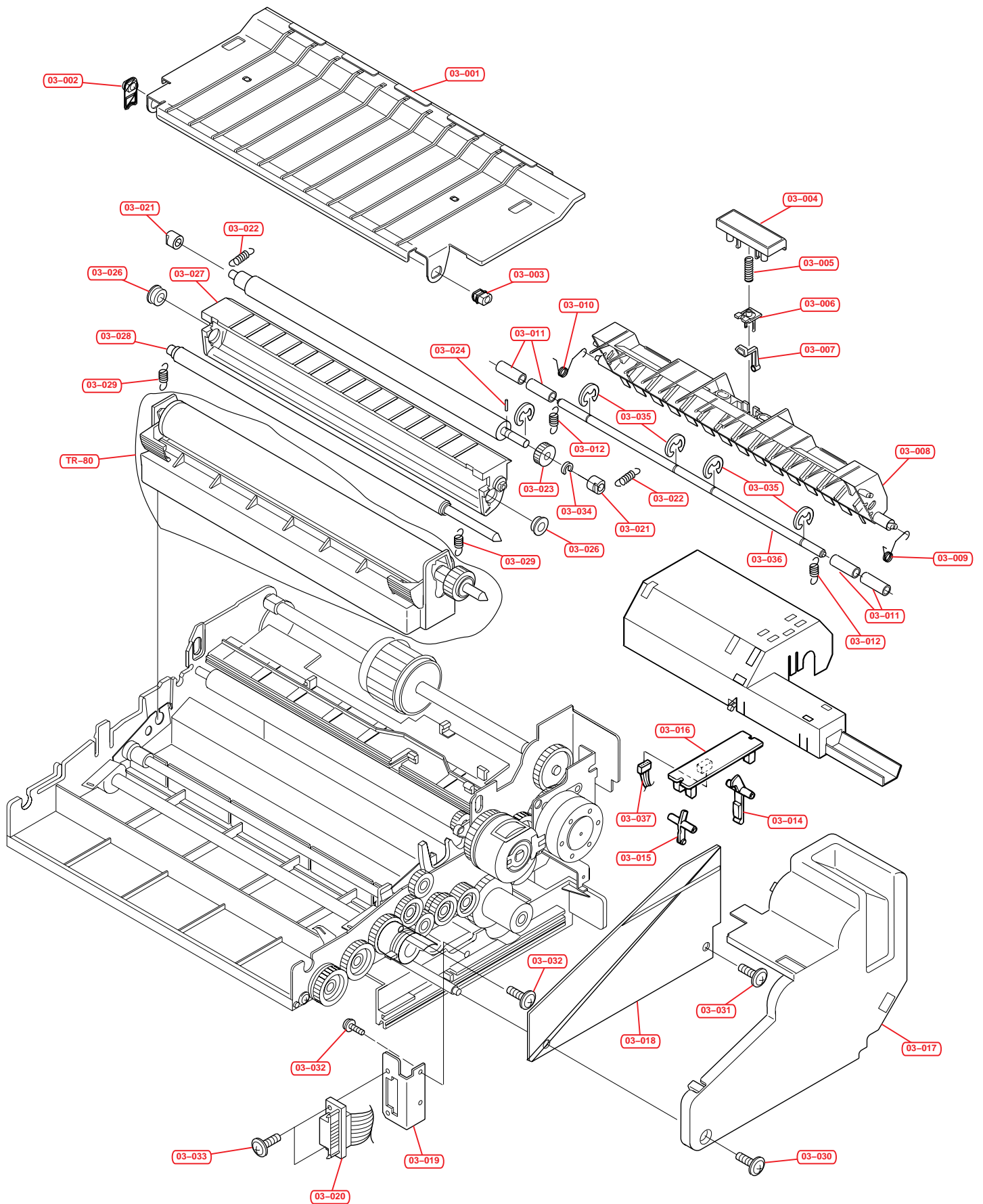


Fig.3 – Entrainement papier

N°	Référence	Description
03-001		Paper Chute Assembly
03-002		Paper Chute Opening Adjuster
03-003		Bushing
03-004		Retard Pad Assembly
03-005		Retard Pad Spring
03-006		Retard Pad Platform
03-007		Paper Thickness Select Level
03-008		MPT Chute Assembly
03-009		MPT Chute Right Spring
03-010		MPT Chute Left Spring
03-011		Pinch Roller
03-012		Pinch Roller Spring
03-013		MPT/Reg. Sensor Cover
03-014		MPT Paper Out Sensor Arm
03-015		Registration Sensor Arm
03-016		MPT Paper Out/Reg Sensor Board
03-017		Paper Feed Unit Cover
03-018		Paper Feed Unit Board
03-019		Connector Bracket
03-020		P.F. Unit Coupling Connector – Male
03-021		Bushing
03-022		Registration Spring
03-023		Registration Roller Gear
03-024		Pin
03-025	NSP0012498	Registration Roller
03-026		Bushing
03-027		Cleaning Roller Holder Assembly
03-028		Pressure Roller/Cleaning Roller
03-029		Cleaning Roller Spring
03-030		Screw 3 x 14
03-031		Screw 3 x 6
03-032		Screw 3 x 10
03-033		Screw 3 x 8
03-034		Spacer
03-035		E-ring
03-036		Pinch Roller Shaft
03-037		Resist Sensor Cable
TR-80	TR-80	Transfer Unit

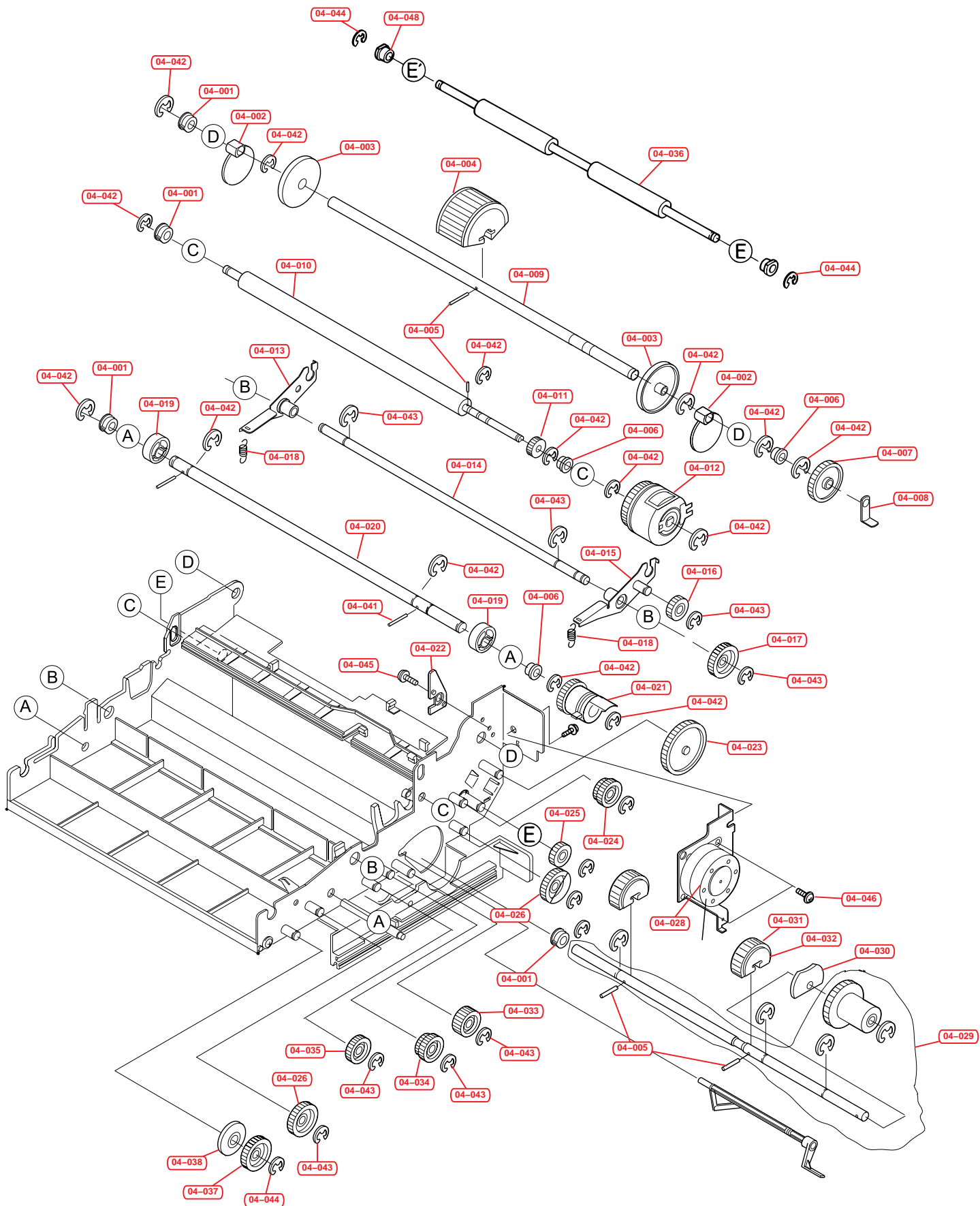


Fig.4 – Entrainement papier

N°	Référence	Description
04-001		Bushing
04-002		Cam
04-003		Pickup guide Roller
04-004	NSA580CE03	Pickup Roller Assembly M.P.T.
04-005		Pin
04-006		Bushing
04-007		Gear
04-008	NSP0012519	STR Sensor Arm
04-009		M.P.T. Roller Shaft
04-010	NSP0012499	Registration Roller
04-011		Registration Roller Gear
04-012	NSP0012500	Registration Roller Clutch
04-013		STR Holder Assembly Left
04-014		STR Holder Shaft
04-015		STR Holder Assembly Right
04-016		STR Gear
04-017		Gear
04-018		Spring
04-019		STR Cam
04-020		STR Cam Shaft
04-021	NSP0012520	STR clutch
04-022		M.P.T. Holder Guide
04-023		Gear
04-024		Gear
04-025		Gear
04-026		Gear
04-027		Motor Bracket Paper Feed Unit
04-028	NSP0012501	Motor Paper feed Unit
04-029	NSA580CE13	Clutch Assembly Paper Feed Unit
04-030		Bushing
04-031	NSP0012502	Pickup Roller Rubber
04-032	NSP0012503	Pickup Roller
04-033		Gear
04-034		Gear
04-035		Gear
04-036		Paper Feed Roller
04-037		Joint Gear
04-038		Gear Guide Roller
04-039	NSP0012521	Paper Out Sensor Arm
04-040	NSP0012522	Paper Empty Sensor Arm
04-041		Pin
04-042		E-ring
04-043		E-ring
04-044		E-ring
04-045		Screw 3 x 5mm

N°	Référence	Description
04-046		Screw 3 x 6mm
04-047		Screw 3 x 6mm
04-048		Bearing
04-049		Bearing

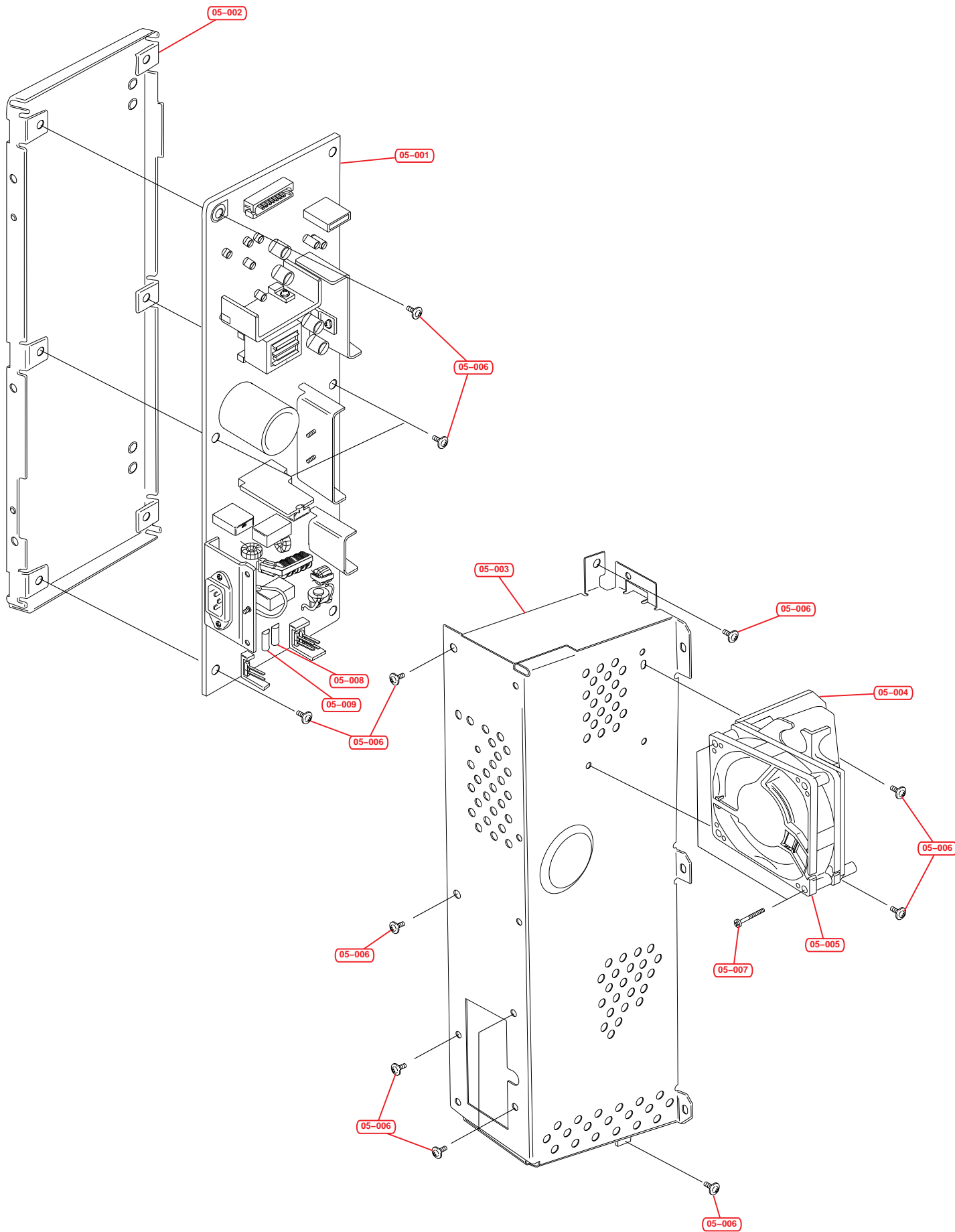


Fig.5 – Alimentation

N°	Référence	Description
05-001	NSP0012575	Power Supply
05-002		Power Supply Frame
05-003		Shield Cover
05-004		Fan Motor Bracket
05-005	NSP0012504	Fan Motor
05-006		Screw 3 x 6
05-007		Screw 3 x 25
05-008		Fuse (F201)
05-009		Fuse (F203)

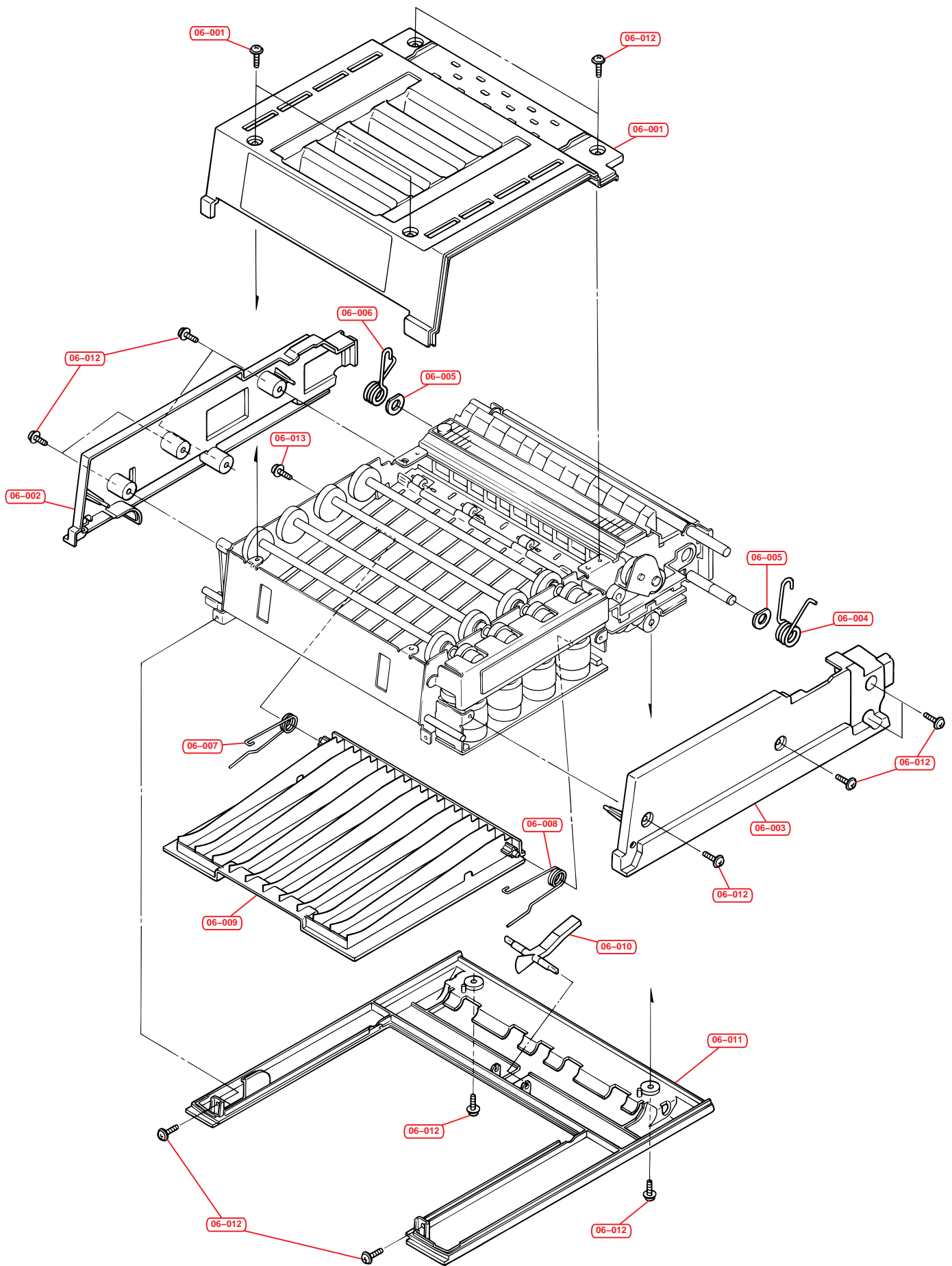


Fig.6 – Unité d'éjection du papier

N°	Référence	Description
06-001	NSP0012579	Unit Inner Cover
06-002	NSP0012578	Solenoid Side Cover
06-003	NSP0012571	Motor Side Cover
06-004	NSP0012567	Spring D
06-005	NSP0012568	Spacer
06-006	NSP0012564	Spring C
06-007	NSP0012566	Cover Spring B
06-008	NSP0012565	Cover Spring A
06-009	NSP0012573	Face Down Cover
06-010	NSP0012570	Paper Tray Full Sensor Arm
06-011	NSP0012574	Unit Cover
06-012	NSP0012581	Screw 3 x 8
06-013	NSP0012562	Screw 3 x 8

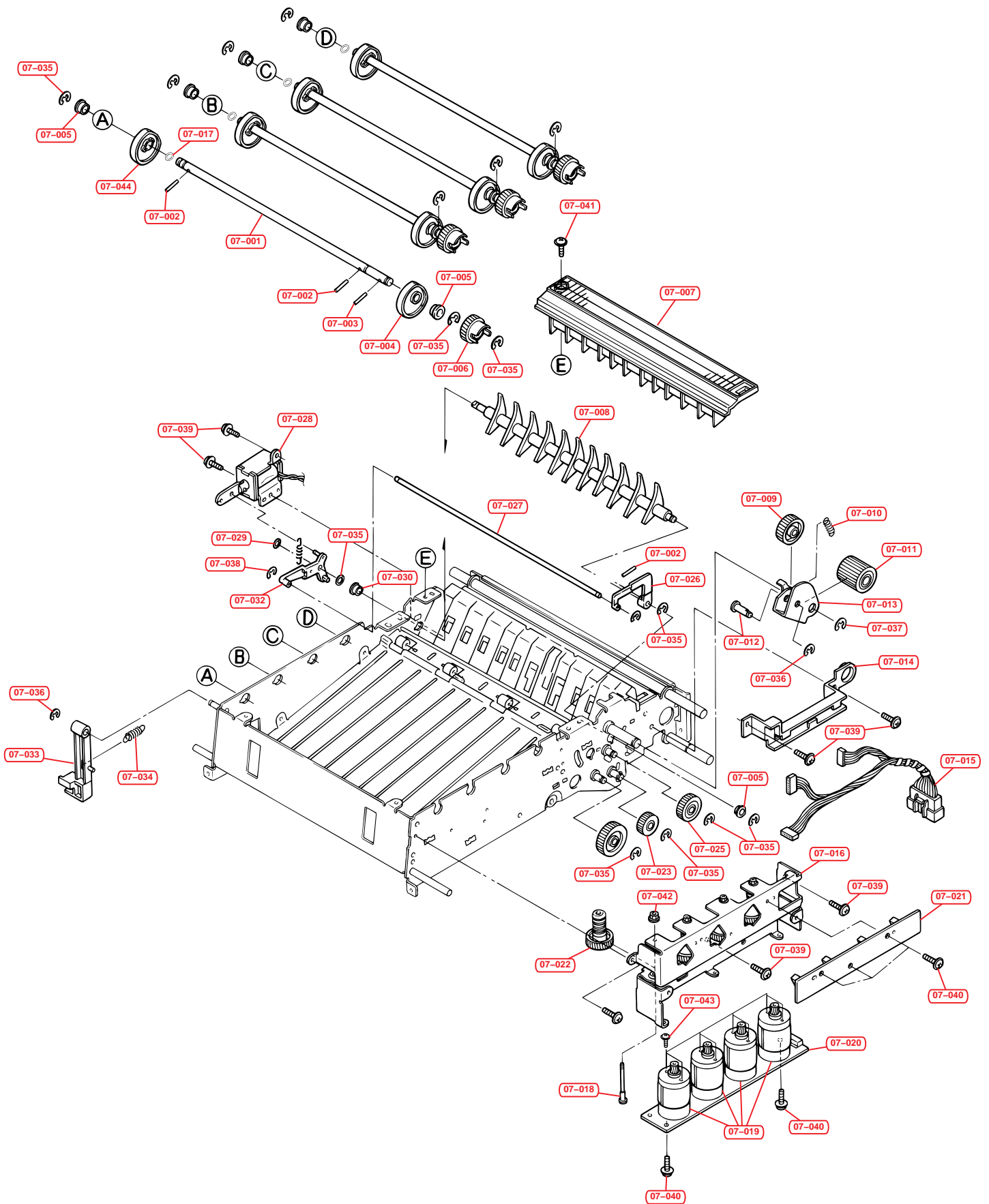


Fig.7 – Sélection unité de développement

N°	Référence	Description
07-001		Toner Selector Shaft
07-002		Pin
07-003		Pin
07-004		Toner Selector Cam
07-005		Bushing
07-006		Toner Selector Cam Gear
07-007		Upper Paper Ejection Guide
07-008		Face Down Switch Gate
07-009		Gear
07-010		Joint Gear Spring
07-011		Gear
07-012		Joint Gear Shaft
07-013		Joint Gear Bracket
07-014		Relay Cable Bracket
07-015		Cable
07-016		Cam Motor Bracket
07-017		Plastic Washer
07-018		Cam Shaft
07-019	NSP0012484	Cam Motor
07-020		Cam Motor Board with Motor
07-021		Toner Cartridge Movement Sensor Board
07-022		Cam Gear
07-023		Gear
07-024		Gear
07-025		Gear
07-026		Switch Back Arm
07-027		Switch Back Shaft
07-028	NSA580CE07	Solenoid Assembly
07-029		Plastic Washer
07-030		Bushing
07-031		Spring
07-032	NSP0012523	Switch Back Arm
07-033	NSP0012524	Release Lever
07-034		Spring
07-035		E-ring
07-036		E-ring
07-037		E-ring
07-038		E-ring
07-039		Screw 3 x 6
07-040		Screw 3 x 8
07-041		Screw 3 x 8
07-042		Nut
07-043		Screw 26 x 5
07-044		Developer Cam

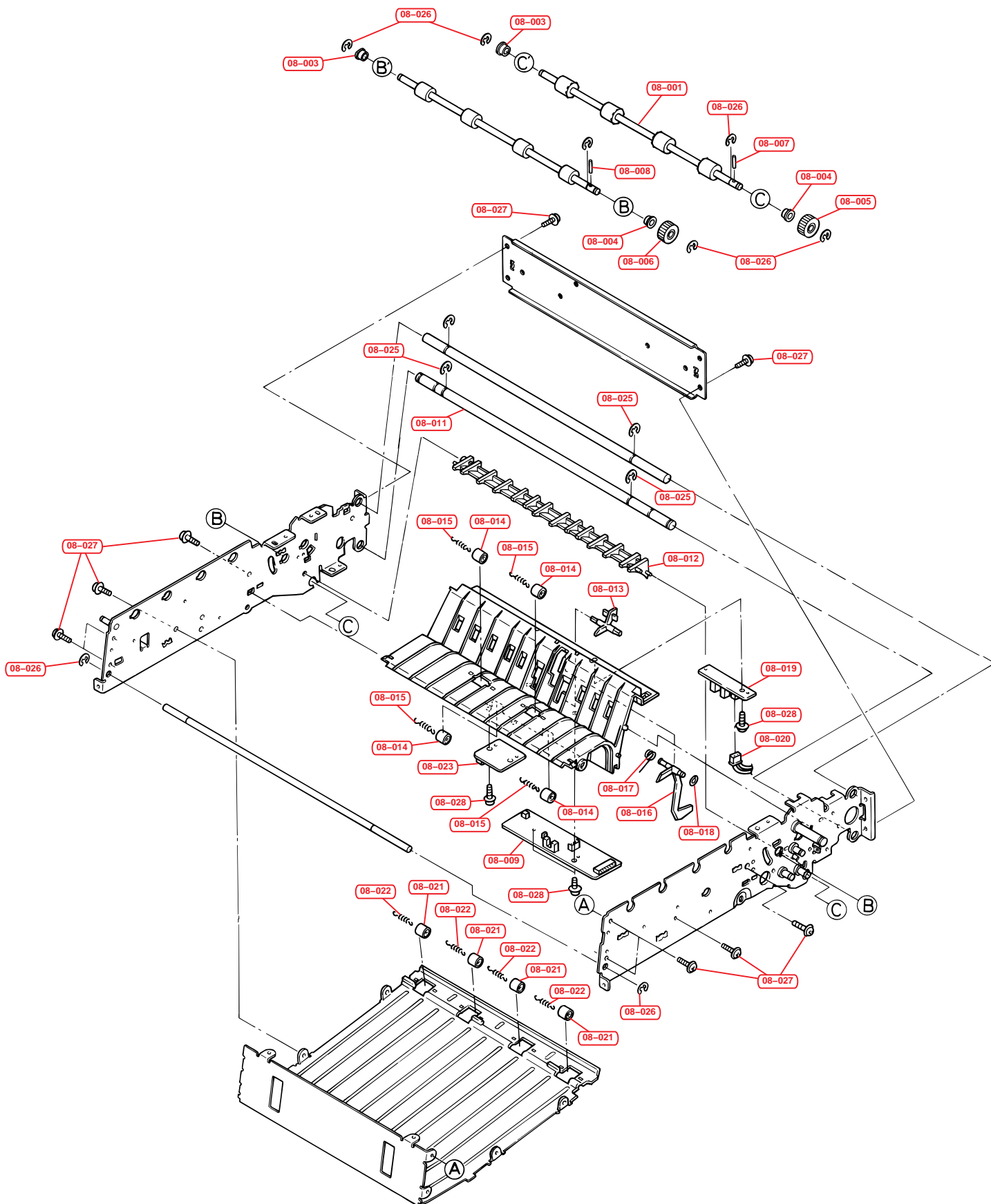
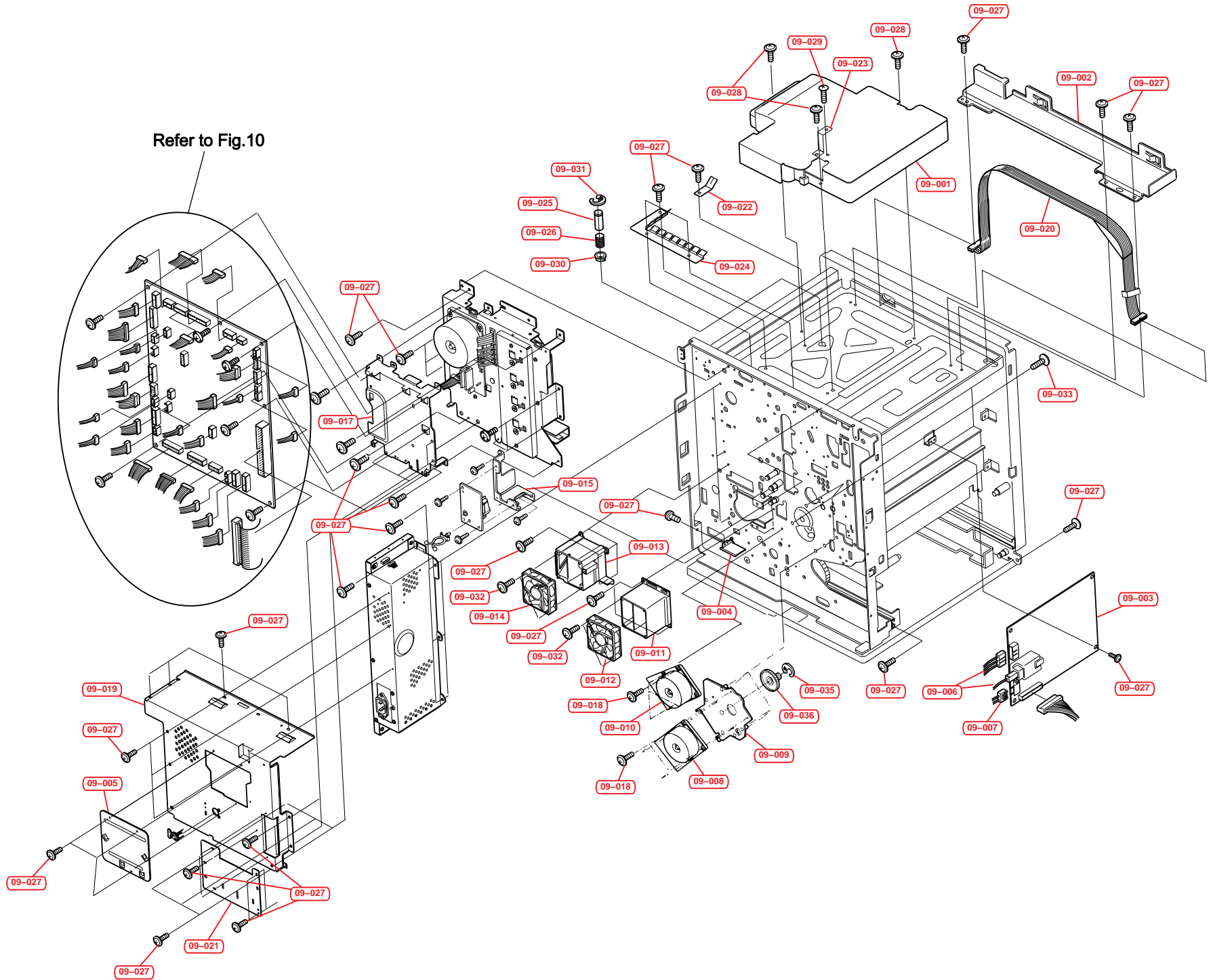


Fig.8 – Unité de sortie

N°	Référence	Description
08-001		Paper Ejection Roller
08-002		Paper Ejection Roller
08-003		Bushing
08-004		Bushing
08-005		Gear
08-006		Gear
08-007		Pin
08-008		Pin
08-009	NSA580CE17	Paper Ejection Sensor Board
08-010		Stopper Shaft
08-011		Supporter Shaft
08-012	NSP0012525	Lower Paper Ejection Guide
08-013	NSP0012518	Paper Exit Sensor Arm
08-014		Guide Roller
08-015		Guide Roller Spring
08-016	NSP0012530	Paper Ejection Sensor Arm
08-017		Spring
08-018		Plastic Washer
08-019	NSA580CE18	Paper Exit Sensor Board
08-020		Cable
08-021	NSP0012538	Roller
08-022	NSP0012539	Spring
08-023	NSA580CE19	Paper Tray Full Sensor Board
08-024		Hook Shaft
08-025		E-ring
08-026		E-ring
08-027		Screw 3 x 6
08-028		Screw 3 x 8

Fig.9 – Pièces principales



N°	Référence	Description
09-001	NSA580CE08	LSU (laser Scanning Unit)
09-002		Front Panel Cable Cover
09-003	NSA580CE09	High Voltage Board
09-004		Switch Cover Plate
09-005		ROM Access Panel
09-006		HUU Cable
09-007		HVU Cable
09-008	NSP0012505	Main Motor
09-009		Main Motor Bracket
09-010	NSP0012506	Paper Feed Motor
09-011		Ozone Fan Motor Braket
09-012	NSP0012507	Ozone Fan Motor
09-013		Fuser/Toner Cartridge Fan Motor Bracket
09-014	NSP0012507	Fuser/Toner Cartridge Fan Motor
09-015		Cleaning Board Bracket
09-016	NSA580CE24	Cleaning Board
09-017		Drive Unit Cover
09-018		Screw 3 x 10
09-019		Engine Control Board Shield Cover
09-020		LCD Harness
09-021		Flat Cable Shield
09-022		Earth Plate
09-023		Earth Plate
09-024		Earth Plate
09-025		Polygon Motor Heat Sink Shaft
09-026		Polygon Motor Heat Sink Spring
09-027		Screw 3 x 6
09-028		Screw 4 x 14
09-029		Screw 3 x 6
09-030		Bushing
09-031		E-ring
09-032		Screw 3 x 35
09-033		Screw 3 x 8
09-034		Cable Clamp
09-035		E-ring
09-036	NSP0012527	Main Gear

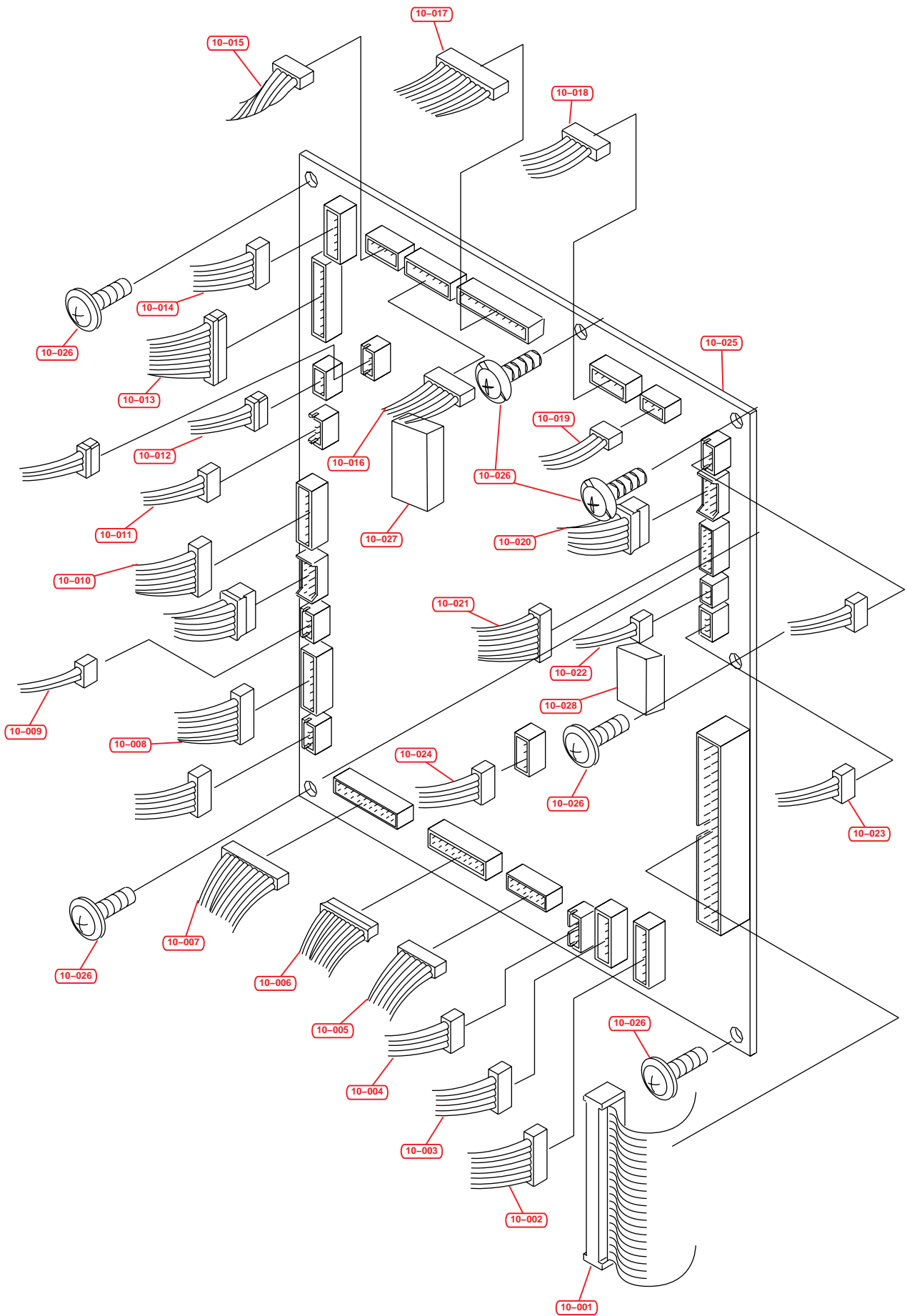
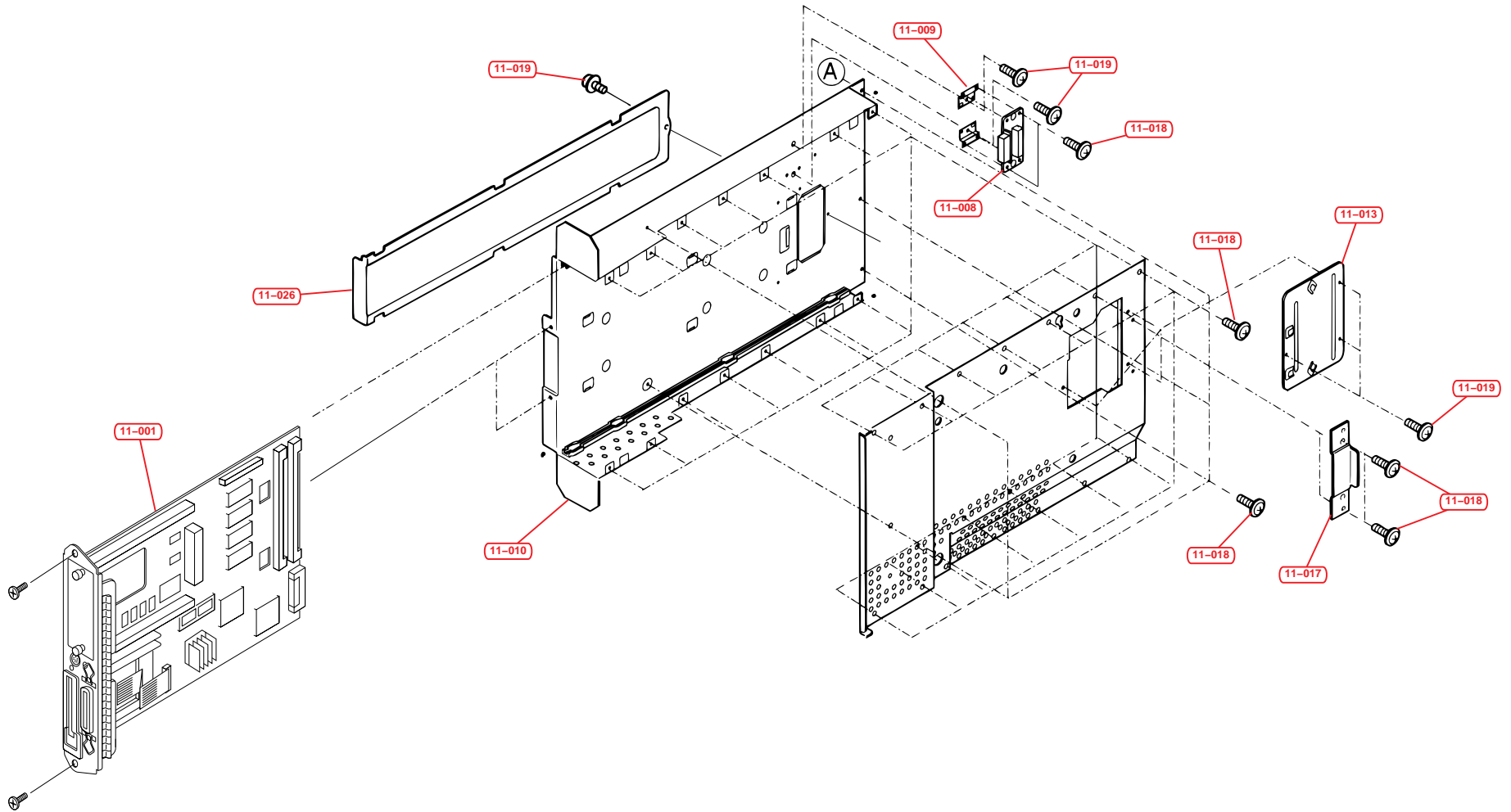


Fig.10 – Connecteur de la carte contrôleur

N°	Référence	Description
10-001		Flat Cable
10-002		Cable
10-003		Cable
10-004		Cable
10-005		Cable
10-006		Cable
10-007		Cable
10-008		Cable
10-009		Cable
10-010		Cable
10-011		Cable
10-012		Cable
10-013		Cable
10-014		Cable
10-015		Cable
10-016		Cable
10-017		Cable
10-018		Cable
10-019		Cable
10-020		Cable
10-021		Cable
10-022		Cable
10-023		Cable
10-024		Cable
10-025	NSA580CE10	Engine Control Board
10-026		Screw 3 x 10
10-027	NSP0012509	ROM (IC4)
10-028		EEPROM (IC6)

Fig.11 – Carte principale



N°	Référence	Description
11-001	AY580CE*04	Printer Main Control Board
11-002		Sheet
11-003		Option Cover
11-004		PCB Support Handle
11-005		RIB Plate Assembly
11-006		Network relay board
11-007		RIB Plate Assembly
11-008		Printer Panel Relay Board
11-009		Board Bracket
11-010		RIP Chassis
11-011		RIP Cover
11-012		Hsync Board
11-013		Access Panel
11-015	APRMEG4019JH	KP-610 (Flash DIMM)
11-016	APRMEG4019KH	KP-610 (Flash DIMM)
11-017		EMI Plate
11-018		Screw 3 x 6
11-019		Screw 3 x 4
11-020		Screw 3 x 20
11-021		Screw 3 x 6
11-022		PCB Stud
11-023		Screw 3 x 8
11-024		Screw 3 x 6
11-025		Screw 3 x 8
11-026		Flat Cable Cover
11-027		Access Cover Assembly
11-028		Main Control Board Assembly
11-029		Busy Board Assembly

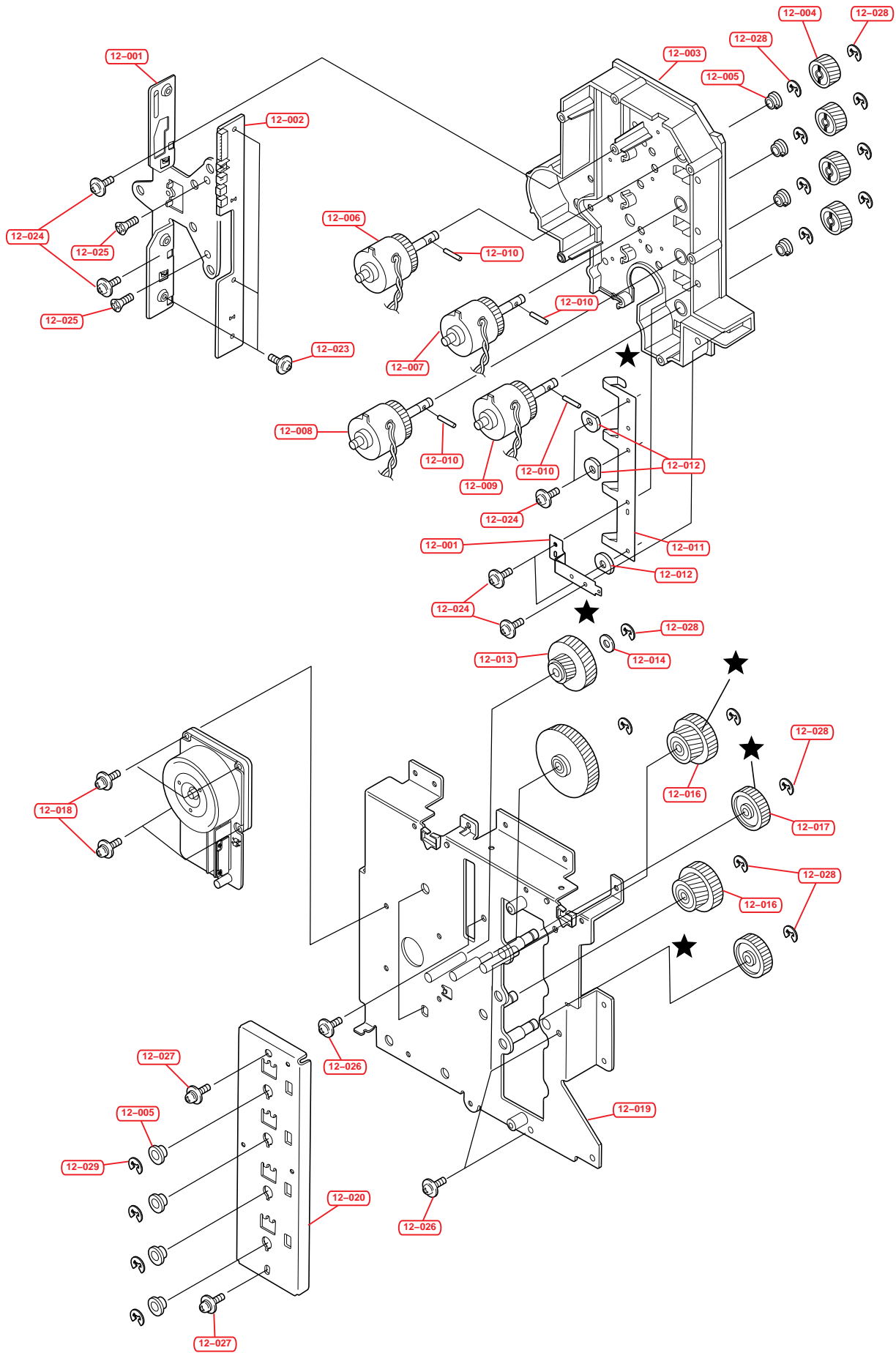
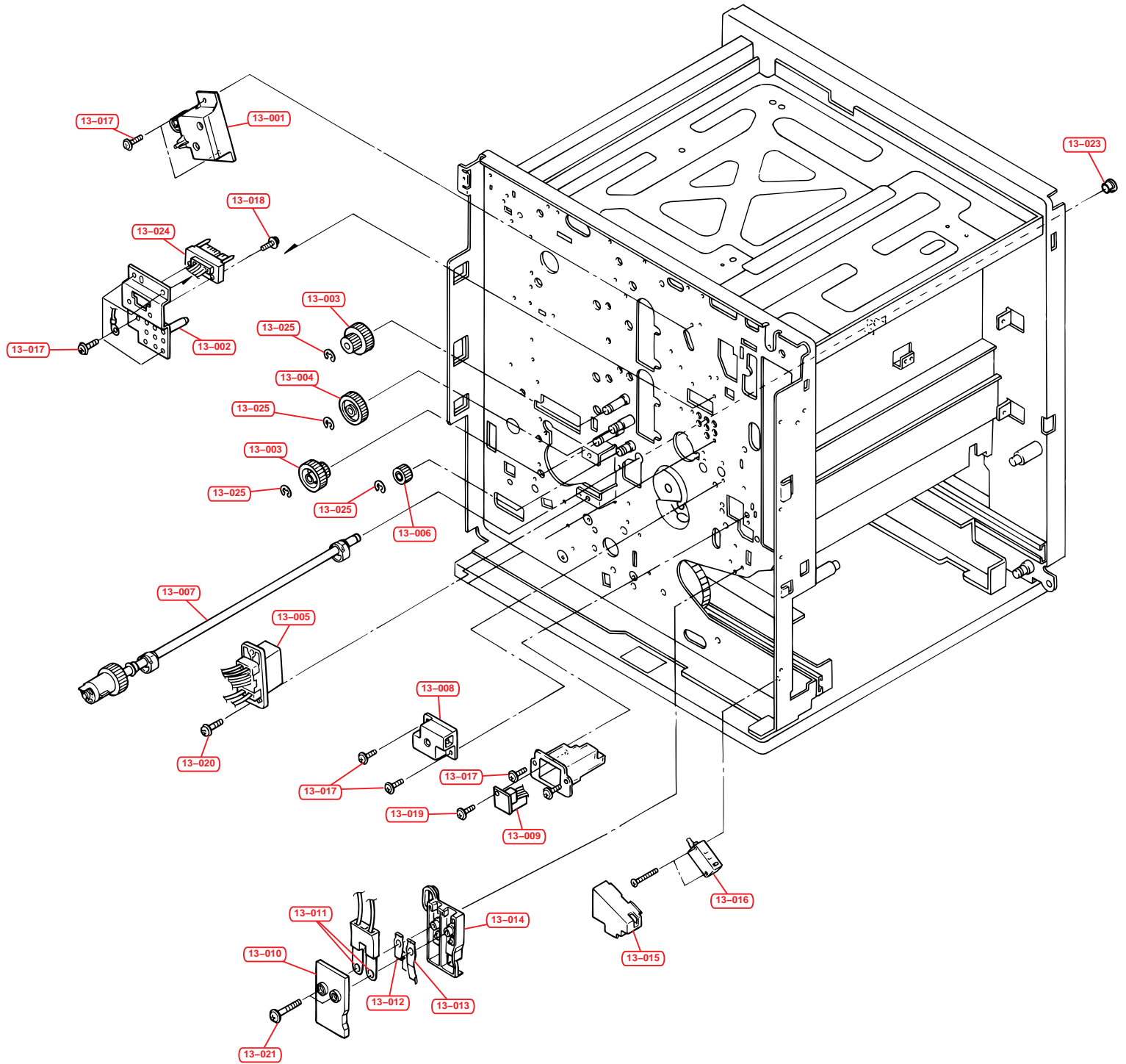


Fig.12 – Unité de contrôle du toner

N°	Référence	Description
12-001		Toner Sensor Bracket
12-002	NSA580CE26	Toner Sensor Board
12-003		Drive Unit Case
12-004	NSP0012510	Clutch Drive Gear
12-005		Bushing
12-006	NSP0012511	Clutch Assembly – Black
12-007	NSP0012512	Clutch Assembly – Cyan
12-008	NSP0012513	Clutch Assembly – Magenta
12-009	NSP0012514	Clutch Assembly – Yellow
12-010		Pin
12-011		Bias Plate
12-012		Washer.3
12-013	NSP0012528	Drive Gear
12-014		Washer
12-015	NSP0012540	Gear A
12-016	NSP0012563	Gear B
12-017	NSP0012542	Gear C
12-018		Screw 3 x 10
12-019		Drive Unit Bracket
12-020		Clutch Bracket
12-021	NSP0012515	Toner Cartridge Drive Motor
12-022		Bias Plate
12-023		Screw 3 x 6
12-024		Screw 3 x 8
12-025		Screw 3 x 10
12-026		Screw 3 x 10
12-027		Screw 3 x 8
12-028		E-ring
12-029		E-ring

Fig.13 – Base mécanique



N°	Référence	Description
13-001	NSA580CE20	High Voltage Terminal Unit
13-002		Drawer holder
13-003		Gear
13-004		Gear
13-005	NSP0012543	Fuser Unit Coupling Connector
13-006		Gear
13-007		Cleaning clutch/Shaft Assembly
13-008		FTR Bias Terminal Unit
13-009	NSA580CE15	Home Sensor board
13-010		Terminal Cover
13-011		Terminal
13-012		Terminal
13-013		Terminal
13-014		Terminal Cover
13-015		Switch Cover
13-016	NSP0012529	Switch
13-017		Screw 3 x 6
13-018		Screw 3 x 8
13-019		Screw 3 x 6
13-020		Screw 3 x 10
13-021		Screw 3 x 16
13-022		Screw 3 x 16
13-023		Bushing
13-024	NSP0012544	Imaging unit Coupling Connector
13-025		E-ring
13-026		Home Sensor Case

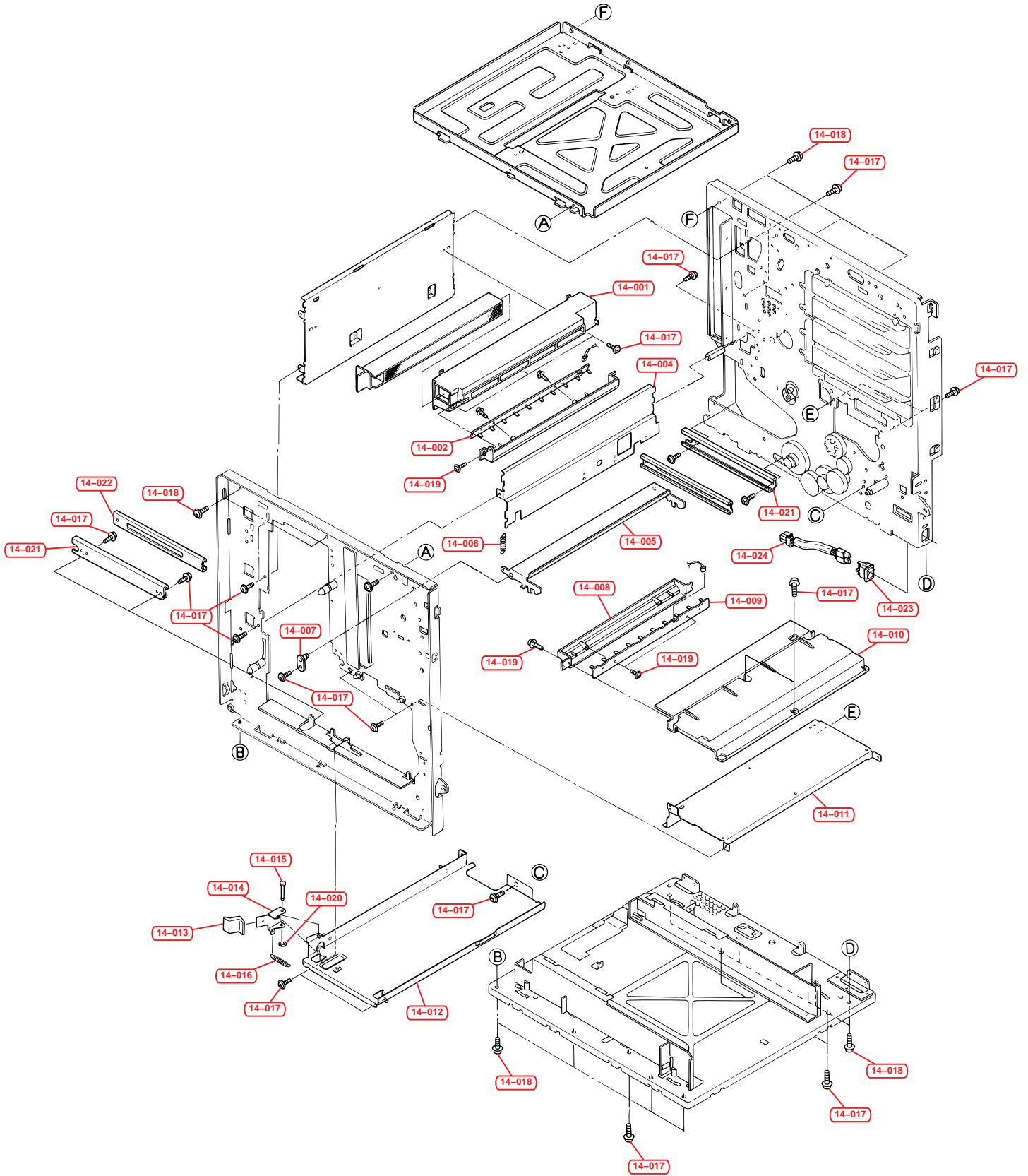


Fig.14 – Base mécanique

N°	Référence	Description
14-001		Ozone Filter Holder
14-002	NSA580CE28	Pre-exposure Eraser Board
14-003		Eraser Board Cover
14-004		Process Unit Guide Rail
14-005		Lock Lever
14-006		Lock Lever Spring
14-007		Lock Lever Support
14-008		Pre-Transfer Board Cover
14-009	NSA580CE16	Pre-Transfer Board
14-010		Frame
14-011		Frame
14-012		Fuser Guide Frame
14-013		Knob
14-014		Stopper Lever
14-015		Stopper Lever Shaft
14-016		Spring
14-017		Screw 3 x 6
14-018		Screw 4 x 8
14-019		Screw 3 x 8
14-020		E-ring
14-021		Rail Support
14-022		Side Rail Plate
14-023	NSP0012531	Power Switch
14-024		Power Switch Cable

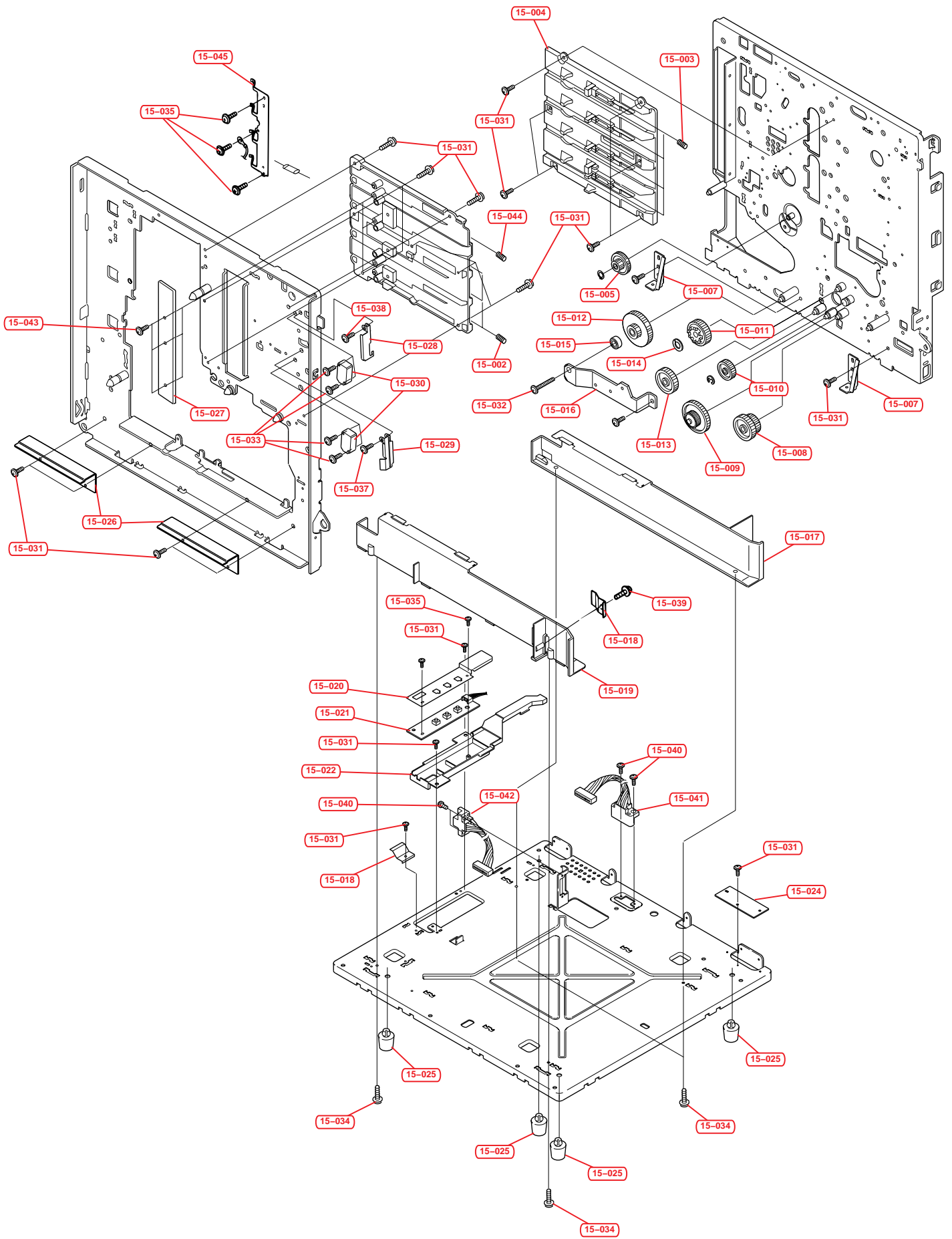


Fig.15 – Base mécanique

N°	Référence	Description
15-001	NSP0012516	Toner Cartridge Guide Rail
15-002		Spring
15-003		Spring
15-004	NSA580CE11	Toner Cartridge Guide Rail Ass'y
15-005		Gear
15-006		Washer
15-007		Corner Bracket
15-008		Gear
15-009		Gear
15-010		Gear
15-011		Gear
15-012		Gear
15-013		Gear
15-014		Washer
15-015		Spacer
15-016		Gear Bracket
15-017		Cassette Guide
15-018		Cassette Lock Spring
15-019		Cassette Guide
15-020		Cassette Detection Sensor Board Case
15-021	NSA580CE22	Cassette Detection Sensor Board
15-022		Cassette Detection Sensor Board Case
15-023		Resistor
15-024		Plate
15-025		Rubber Foot
15-026		Plate
15-027	NSA580CE23	Toner cartridge Sensor Board
15-028	NSP0012545	Interlock Switch Arm A
15-029	NSP0012546	Interlock Switch Arm B
15-030	NSP0012547	Interlock Switch
15-031		Screw 3 x 6
15-032		Screw 3 x 10
15-033		Screw 3 x 16
15-034		Screw 3 x 12
15-035		Screw 3 x 8
15-036		E-ring
15-037		Screw
15-038		Screw
15-039		Screw x 10
15-040		Screw
15-041		Option Second Feeder Coupling Connector
15-042		Paper Feed Coupling Connector
15-043		Screw x10
15-044		Spring
15-045		Bias Plate

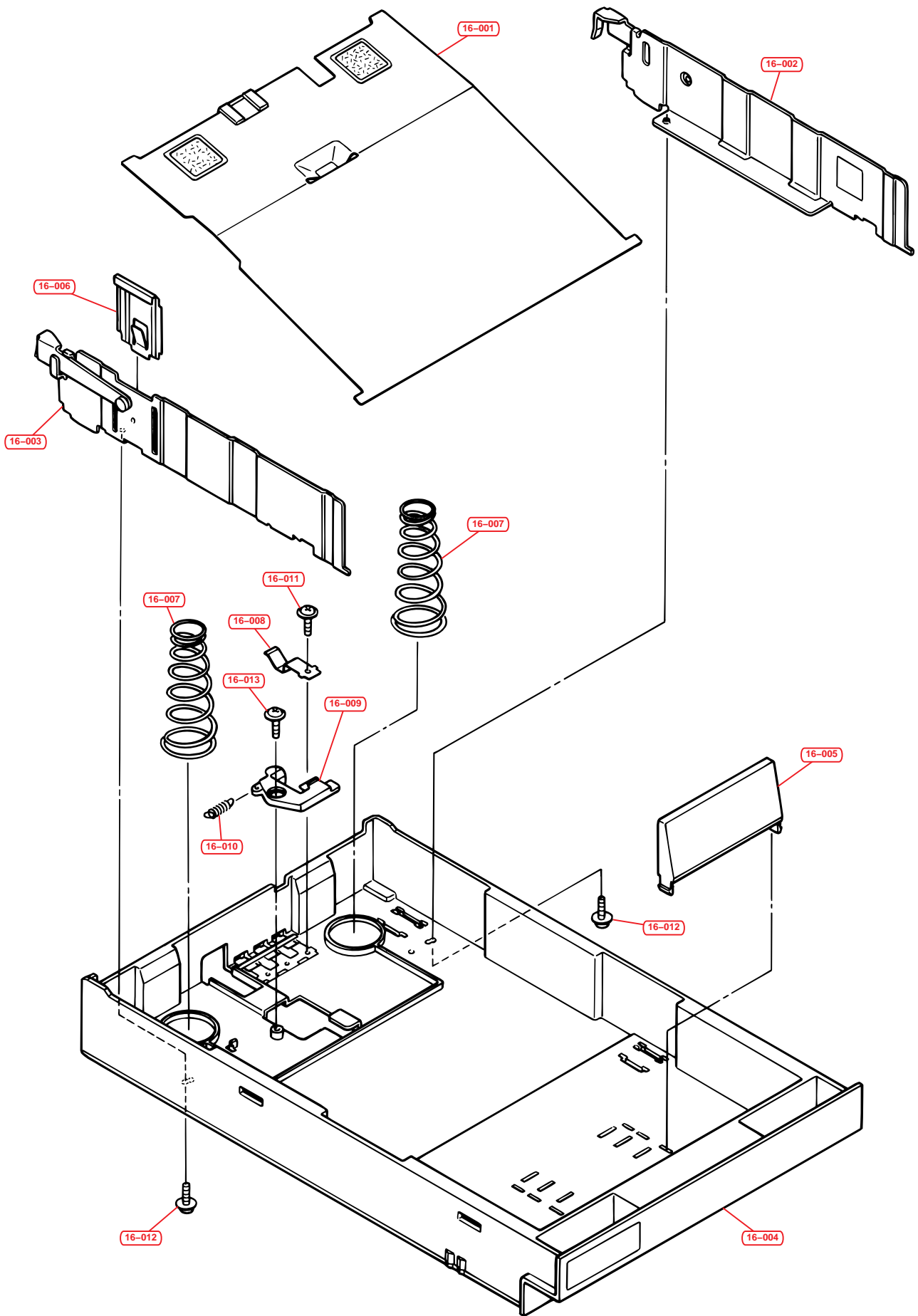


Fig.16 – Bac papier

N°	Référence	Description
16-001		Base Plate Assembly
16-002	NSP0012532	Paper Guide – Right
16-003	NSP0012533	Paper Guide – Left
16-004		Paper Cassette Base
16-005	NSP0012569	Paper End Plate
16-006	NSP0012534	Side Pressure Spring
16-007		Friction Spring
16-008		Cassette Switch Spring
16-009		Base Plate Holder Arm
16-010		Holder Arm Spring
16-011		Screw 3 x 6
16-012		Screw 3 x 6
16-013		Screw 3 x 8

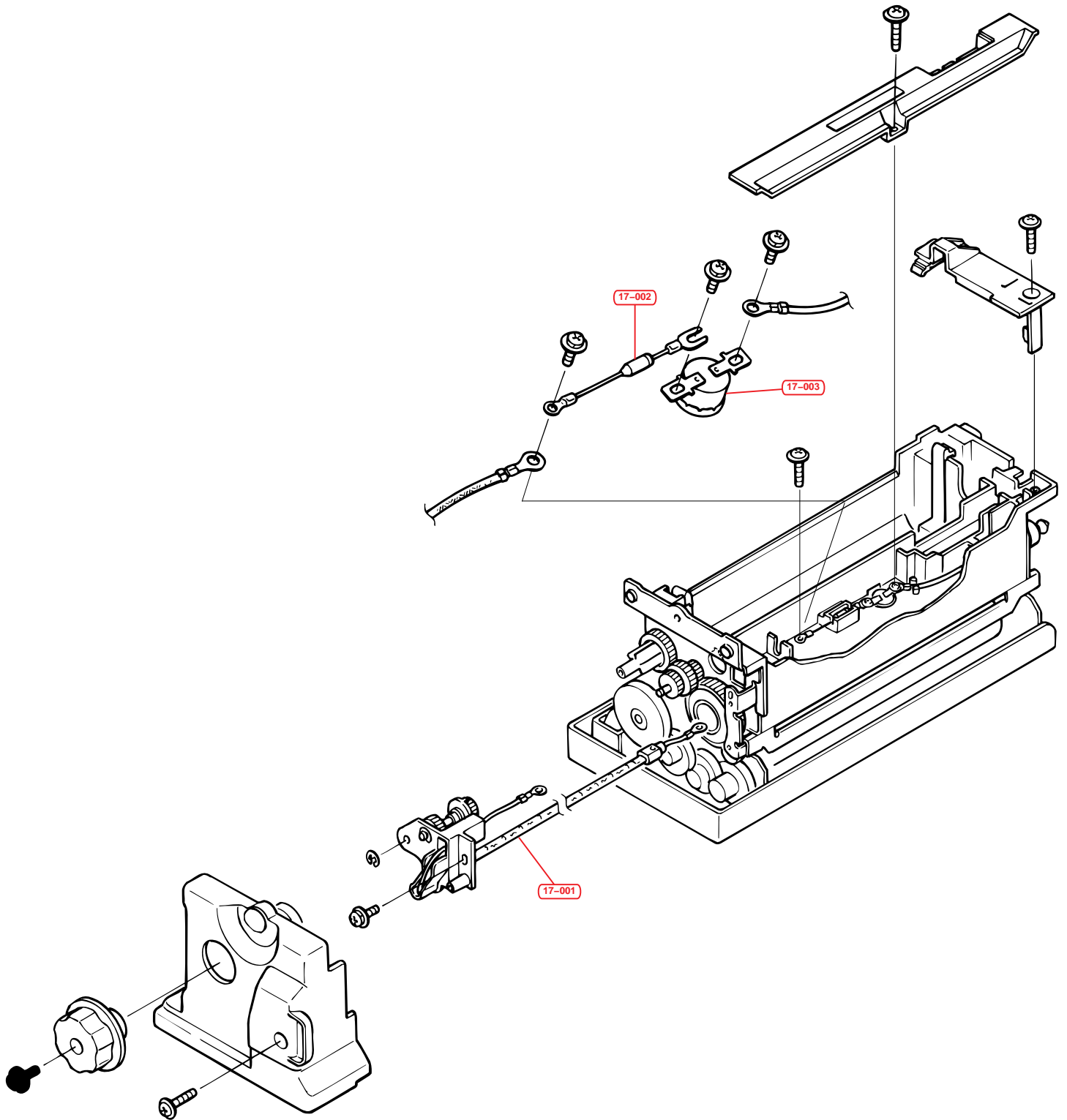


Fig.17 – Unité de fusion

N°	Référence	Description
17-000	FK-80	Fuser Kit
17-001	NSP0012582	Heat Lamp
17-002	NSP0012535	Thermal Fuse
17-003	NSP0012536	Thermostat