

FIG. 1 COVERS I

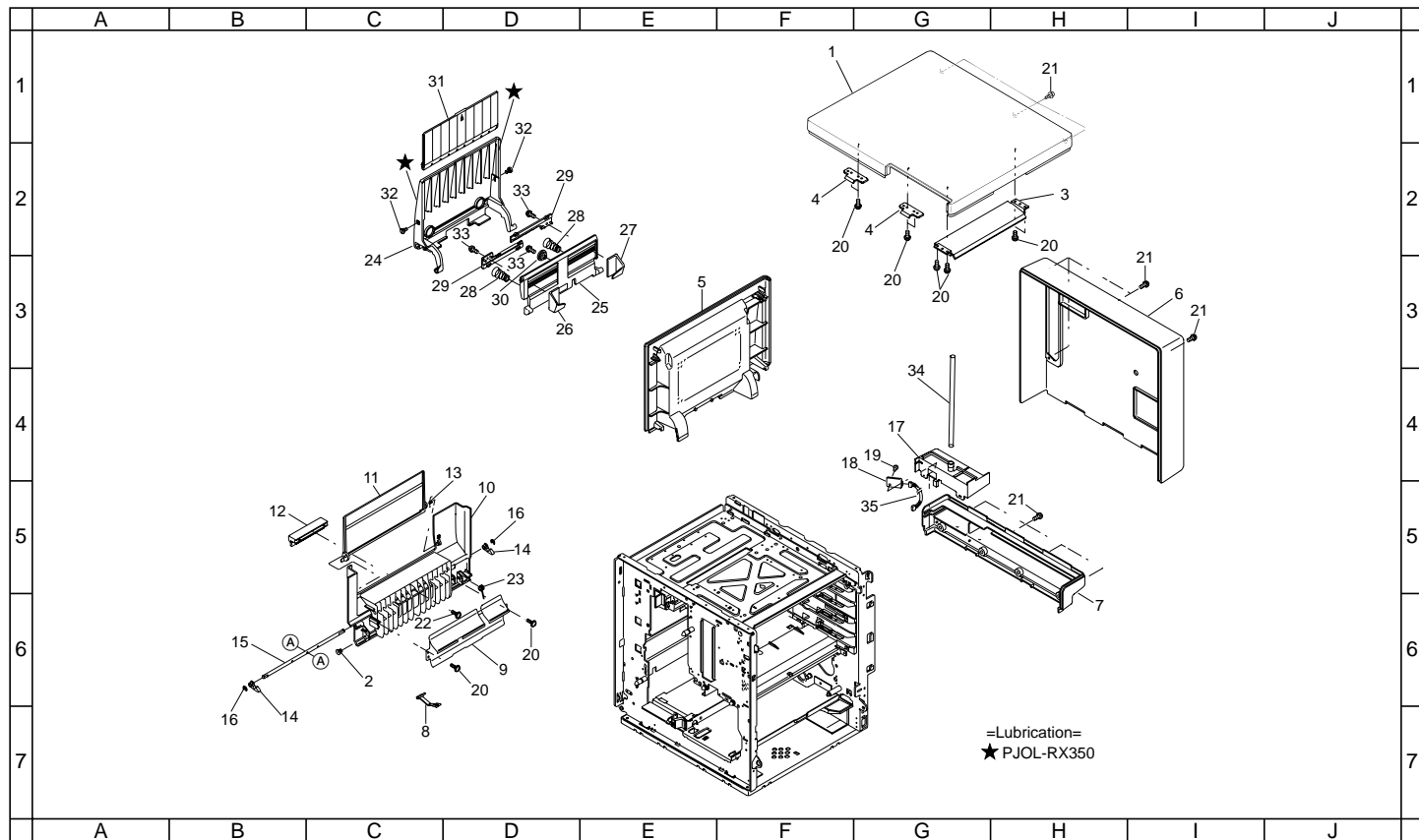


FIG. 1 COVERS I

Ref. No.	Part. No.	Description	QTY	FS-5900C				
				KEE	KEU	KEF	KEA	KEI
1	5SNSP0012572	TOP COVER	1	Yes	Yes	Yes	Yes	Yes
2	5SNSP0012555	SPRING A	1	Yes	Yes	Yes	Yes	Yes
3	5SNSP0012903	PAPER GUIDE	1	Yes	Yes	Yes	Yes	Yes
4	5SNSP0012904	TOP COVER RETAINER	2	Yes	Yes	Yes	Yes	Yes
5	5SNSP0012485	LEFT SIDE COVER	1	No	No	No	No	No
5	5SNSP0013429	LEFT SIDE COVER	1	Yes	Yes	Yes	Yes	Yes
6	5SNSA580CE01	UPPER REAR COVER ASM	1	No	No	No	No	No
6	5SNSP0013432	UPPER REAR COVER ASM	1	Yes	Yes	Yes	Yes	Yes
7	5SNSP0012492	LOWER REAR COVER	1	No	No	No	No	No
7	5SNSP0013369	LOWER REAR COVER	1	Yes	Yes	Yes	Yes	Yes
8	5SNSP0012558	STRAP	1	Yes	Yes	Yes	Yes	Yes
9	5SNSA580CE47	PAPER CHUTE ASSEMBLY	1	Yes	Yes	Yes	Yes	Yes
10	5SNSP0012486	LEFT SIDE DOOR	1	Yes	Yes	Yes	Yes	Yes
11	5SNSA580CE05	TRAY COVER ASSEMBLY	1	No	No	No	No	No
11	5SNSP0013427	TRAY COVER ASSEMBLY	1	Yes	Yes	Yes	Yes	Yes
12	5SNSP0012549	TRAY COVER LEVER	1	Yes	Yes	Yes	Yes	Yes
13	5SNSP0012548	TRAY COVER SPRING	1	Yes	Yes	Yes	Yes	Yes
14	5SNSP0012559	LEFT SIDE DOOR HOOK	2	Yes	Yes	Yes	Yes	Yes
15	5SNSP0012561	LEFT SIDE DOOR SHAFT	1	Yes	Yes	Yes	Yes	Yes
16	5SNSP0012560	E-RING	2	Yes	Yes	Yes	Yes	Yes
17	5SNSP0012905	T/H SENSOR CASE	1	No	No	No	No	No
17	5SNSP0013336	T/H SENSOR CASE	1	Yes	Yes	Yes	Yes	Yes
18	5SNSP0012906	T/H SENSOR BOARD	1	No	No	No	No	No
18	5SNSP0013398	T/H SENSOR BOARD	1	Yes	Yes	Yes	Yes	Yes
19	5SNSP0012907	RIVET	1	Yes	Yes	Yes	Yes	Yes
20	5SNSP0012550	SCREW3X8	10	Yes	Yes	Yes	Yes	Yes
21	5SNSP0013179	SCREW 3 x 6	11	Yes	Yes	Yes	Yes	Yes
22	5SNSP0012551	SCREW 3 x 12	1	Yes	Yes	Yes	Yes	Yes
23	5SNSP0012556	SPRING B	1	Yes	Yes	Yes	Yes	Yes
24	5SNSP0012487	H. MULTI PURPOSE TRAY	1	Yes	Yes	Yes	Yes	Yes
25	5SNSA580CE06	PAPER SUPPORT ASM	1	No	No	No	No	No
25	5SNSP0013428	PAPER SUPPORT ASM	1	Yes	Yes	Yes	Yes	Yes
26	5SNSP0012488	PAPER GUIDE.RIGHT	1	Yes	Yes	Yes	Yes	Yes
27	5SNSP0012489	PAPER GUIDE.LEFT	1	No	No	No	No	No
27	5SNSP0013333	PAPER GUIDE.LEFT	1	Yes	Yes	Yes	Yes	Yes
28	5SNSP0012557	PAPER GUIDE SPRING	2	Yes	Yes	Yes	Yes	Yes
29	5SNSP0012552	RACK	2	Yes	Yes	Yes	Yes	Yes
30	5SNSP0012553	PINION GEAR	1	Yes	Yes	Yes	Yes	Yes
31	5SNSP0012490	EXTENSION TRAY	1	Yes	Yes	Yes	Yes	Yes
32	5SNSP0012554	BUSHING	2	Yes	Yes	Yes	Yes	Yes

Ref. No.	Part. No.	Description	QTY	FS-5900C				
				KEE	KEU	KEF	KEA	KEI
33	5SNSP0012562	SCREW3X8	3	Yes	Yes	Yes	Yes	Yes
	5AAPRDSC2002AH	PWB ASSY(FCP)	1	Yes	Yes	Yes	Yes	Yes
	5MVS747CH001	PANEL KEY E	1	Yes	Yes	Yes	Yes	Yes

FIG. 2 COVERS II

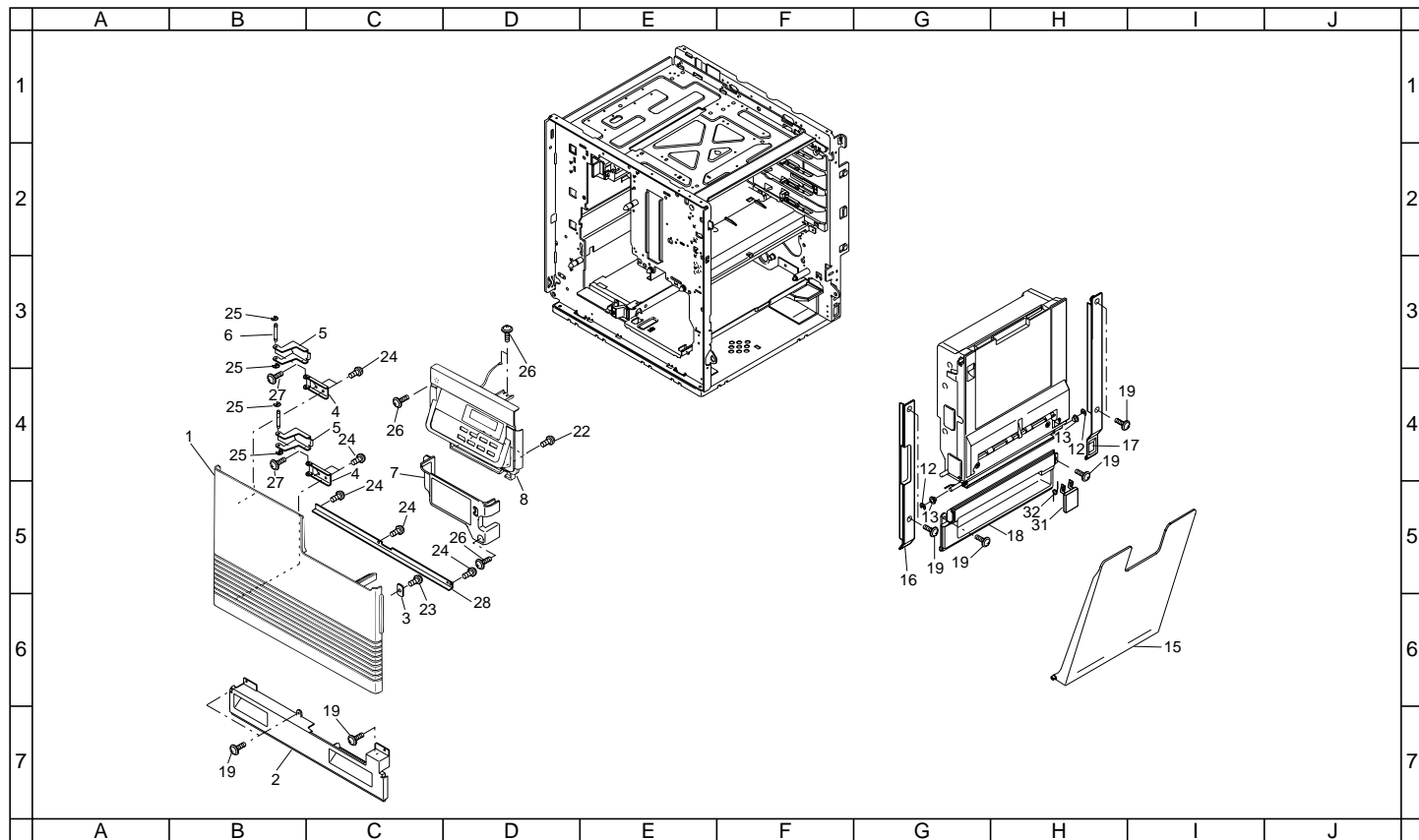


FIG. 2 COVERS II

Ref. No.	Part. No.	Description	QTY	FS-5900C				
				KEE	KEU	KEF	KEA	KEI
1	5SNSA580CE02	FRONT COVER ASSEMBLY	1	No	No	No	No	No
1	5SNSP0013433	FRONT COVER ASSEMBLY	1	Yes	Yes	Yes	Yes	Yes
2	5SNSP0012493	BOTTOM FRONT COVER	1	Yes	Yes	Yes	Yes	Yes
3	5SNSP0012908	MAGNET RETAINER	1	Yes	Yes	Yes	Yes	Yes
4	5SNSP0012909	FC HINGE SUPPORTER	2	Yes	Yes	Yes	Yes	Yes
5	5SNSP0012910	FC HINGE	2	Yes	Yes	Yes	Yes	Yes
6	5SNSP0012911	HINGE SHAFT	2	Yes	Yes	Yes	Yes	Yes
7	5SNSP0012526	LOWER PANEL COVER	1	Yes	Yes	Yes	Yes	Yes
8	5MVB876SH056	PANEL FRONT	2					
8	5AAV59CE**04	PANEL FRONT ASSY	1	Yes	Yes	Yes	Yes	Yes
9	5MVX742SH002	KEY TOP	1	No	No	No	No	No
10	5AAPRDSC2001AH	P.W.BOARD ASSY	1	No	No	No	No	No
11			1	No	No	No	No	No
12	5SNSP0013180	E-RING	2	Yes	Yes	Yes	Yes	Yes
13	5SNSP0012913	BUSHING	2	Yes	Yes	Yes	Yes	Yes
14			2	No	No	No	No	No
15	5SNSP0012494	PAPER EXIT TRAY	1	No	No	No	No	No
15	5SNSP0013368	PAPER EXIT TRAY	1	Yes	Yes	Yes	Yes	Yes
16	5SNSP0012495	RIGHT SIDE COVER.F	1	Yes	Yes	Yes	Yes	Yes
17	5SNSP0012496	RIGHT SIDE COVER.R	1	Yes	Yes	Yes	Yes	Yes
18	5SNSP0012497	RIGHT SIDE COVER.L	1	No	No	No	No	No
18	5SNSP0013372	RIGHT SIDE COVER.L	1	Yes	Yes	Yes	Yes	Yes
19	5SNSP0013179	SCREW 3 x 6	9	Yes	Yes	Yes	Yes	Yes
20			1	No	No	No	No	No
21	5SNSP0013183	SCREW 2 x 6	4	No	No	No	No	No
22	5SNSP0013184	SCREW 3 x 10	2	Yes	Yes	Yes	Yes	Yes
23	5SNSP0013185	SCREW 3 x 8	1	No	No	No	No	No
23	5SNSP0013456	SCREW 3 x 10	1	Yes	Yes	Yes	Yes	Yes
24	5SNSP0012550	SCREW 3 x 8	7	Yes	Yes	Yes	Yes	Yes
25	5SNSP0013186	E-RING	4	Yes	Yes	Yes	Yes	Yes
26	5SNSP0013187	SCREW 3 x 8	3	Yes	Yes	Yes	Yes	Yes
27	5SNSP0013188	SCREW 3 x 5	4	Yes	Yes	Yes	Yes	Yes
28	5SNSP0012914	DOOR REINFORCEMENT	1	Yes	Yes	Yes	Yes	Yes
29	5MVS747CH007	PANEL KEY SWEDISH	1	No	No	No	No	No
29	5MVS747CH001	PANEL KEY E	1	No	No	No	No	No
29	5MVS747CH002	PANEL KEY GERMAN	1	No	No	No	No	No
29	5MVS747CH003	PANEL KEY FRENCH	1	No	No	No	No	No
29	5MVS747CH004	PANEL KEY SPANISH	1	No	No	No	No	No
29	5MVS747CH005	PANEL KEY ITALIAN	1	No	No	No	No	No
29	5MVS747CH006	PANEL KEY DANISH	1	No	No	No	No	No

FIG. 3 PAPER FEEDER I

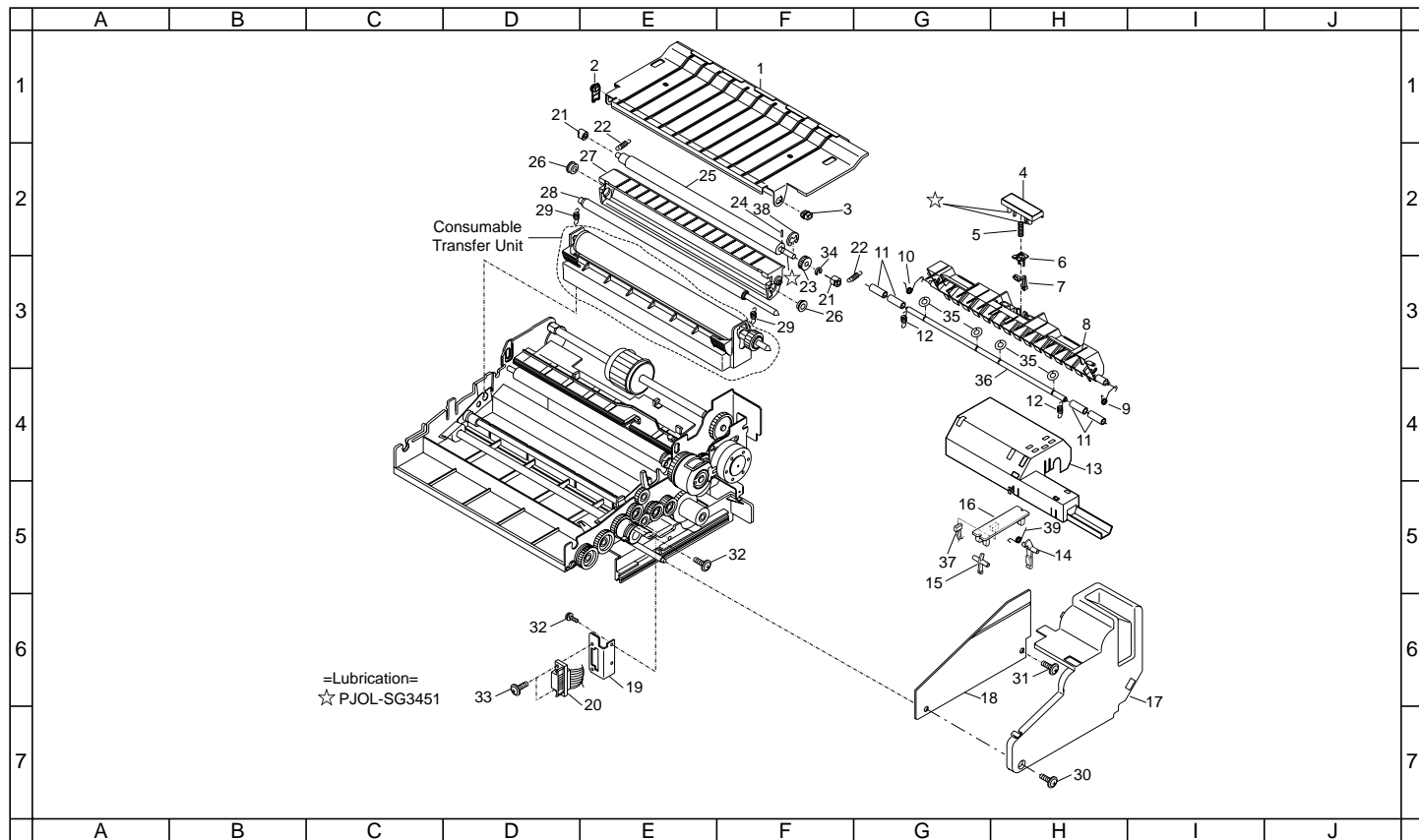


FIG. 3 PAPER FEEDER I

Ref. No.	Part. No.	Description	QTY	FS-5900C				
				KEE	KEU	KEF	KEA	KEI
1	5SNSA580CE04	PAPER CHUTE ASSEMBLY	1	No	No	No	No	No
1		PAPER CHUTE ASSEMBLY	1	Yes	Yes	Yes	Yes	Yes
2	5SNSP0012915	PC OPENING ADJUSTER	1	No	No	No	No	No
2		PC OPENING ADJUSTER	1	Yes	Yes	Yes	Yes	Yes
3	5SNSP0012916	BUSHING	1	Yes	Yes	Yes	Yes	Yes
4	5SNSA580CE48	RETARD PAD ASSEMBLY	1	No	No	No	No	No
4	5SNSP0013436	RETARD PAD ASSEMBLY	1	Yes	Yes	Yes	Yes	Yes
5	5SNSP0012917	RETARD PAD SPRING	1	Yes	Yes	Yes	Yes	Yes
6	5SNSP0012918	RETARD PAD PLATFORM	1	Yes	Yes	Yes	Yes	Yes
7	5SNSP0012919	PT SELECT LEVER	1	No	No	No	No	No
7	5SNSP0012919	PT SELECT LEVER	1	Yes	Yes	Yes	Yes	Yes
8	5SNSA580CE49	MPT CHUTE ASSEMBLY	1	No	No	No	No	No
8	5SNSP0013439	MPT CHUTE ASSEMBLY	1	Yes	Yes	Yes	Yes	Yes
9	5SNSP0012920	MPTC SPRING RIGHT	1	No	No	No	No	No
9	5SNSP0012921	MPTC SPRING RIGHT	1	Yes	Yes	Yes	Yes	Yes
10	5SNSP0012921	MPTC SPRING LEFT	1	No	No	No	No	No
10	5SNSP0013326	MPTC SPRING LEFT	1	Yes	Yes	Yes	Yes	Yes
11	5SNSP0012922	PINCH ROLLER	4	Yes	Yes	Yes	Yes	Yes
12	5SNSP0012923	PINCH ROLLER SPRING	2	Yes	Yes	Yes	Yes	Yes
13	5SNSP0012924	MPT/R SENSPR COVER	1	Yes	Yes	Yes	Yes	Yes
14	5SNSP0012925	MPTP OUT SENSOR SRM	1	Yes	Yes	Yes	Yes	Yes
15	5SNSP0012926	REGIST SENSOR ARM	1	Yes	Yes	Yes	Yes	Yes
16	5SNSP0012927	MPTP O/R SENSORBOARD	1	No	No	No	No	No
16	5SNSP0013423	MPTP O/R SENSORBOARD	1	Yes	Yes	Yes	Yes	Yes
17	5SNSP0012928	PF UNIT COVER	1	No	No	No	No	No
17	5SNSP0013438	PF UNIT COVER	1	Yes	Yes	Yes	Yes	Yes
18	5SNSP0012929	PF UNIT BOARD	1	No	No	No	No	No
18	5SNSP0013414	PF UNIT BOARD	1	Yes	Yes	Yes	Yes	Yes
19	5SNSP0012930	CONNECTOR BRACKET	1	Yes	Yes	Yes	Yes	Yes
20	5SNSP0012931	PFUC CONNECTOR	1	Yes	Yes	Yes	Yes	Yes
21	5SNSP0012932	BUSHING	2	Yes	Yes	Yes	Yes	Yes
22	5SNSP0012933	RESISTRATION SPRING	2	Yes	Yes	Yes	Yes	Yes
23	5SNSP0012934	RESIST ROLLER GEAR	1	Yes	Yes	Yes	Yes	Yes
24	5SNSP0012935	PIN	1	Yes	Yes	Yes	Yes	Yes
25	5SNSP0012498	REGISTRATION ROLLER	1	Yes	Yes	Yes	Yes	Yes
26	5SNSP0012936	BUSHING	2	Yes	Yes	Yes	Yes	Yes
27	5SNSA580CE50	CR HOLDER ASSEMBLY	1	No	No	No	No	No
27	5SNSP0013437	CR HOLDER ASSEMBLY	1	Yes	Yes	Yes	Yes	Yes
28	5SNSP0012937	PRESSURE ROLLER	1	Yes	Yes	Yes	Yes	Yes
29	5SNSP0012938	CLEAN ROLLER SPRING	2	Yes	Yes	Yes	Yes	Yes

Ref. No.	Part. No.	Description	QTY	FS-5900C				
				KEE	KEU	KEF	KEA	KEI
30	5SNSP0013189	SCREW 3 x 14	1	Yes	Yes	Yes	Yes	Yes
31	5SNSP0013190	SCREW 3 x 6	1	No	No	No	No	No
31	5SNSP0013457	SCREW 3 x 6	1	Yes	Yes	Yes	Yes	Yes
32	5SNSP0013184	SCREW 3 x 10	2	Yes	Yes	Yes	Yes	Yes
33	5SNSP0012581	SCREW3X8	2	Yes	Yes	Yes	Yes	Yes
34	5SNSP0012939	SPACER	1	Yes	Yes	Yes	Yes	Yes
35	5SNSP0013191	E-RING	5	No	No	No	No	No
35	5SNSP0013002	PLASTIC WASHER	1	Yes	Yes	Yes	Yes	Yes
36	5SNSP0012940	PINCH ROLLER SHAFT	1	Yes	Yes	Yes	Yes	Yes
37	5SNSP0012941	RESIST SENSOR CABLE	1	Yes	Yes	Yes	Yes	Yes

FIG. 4 PAPER FEEDER II

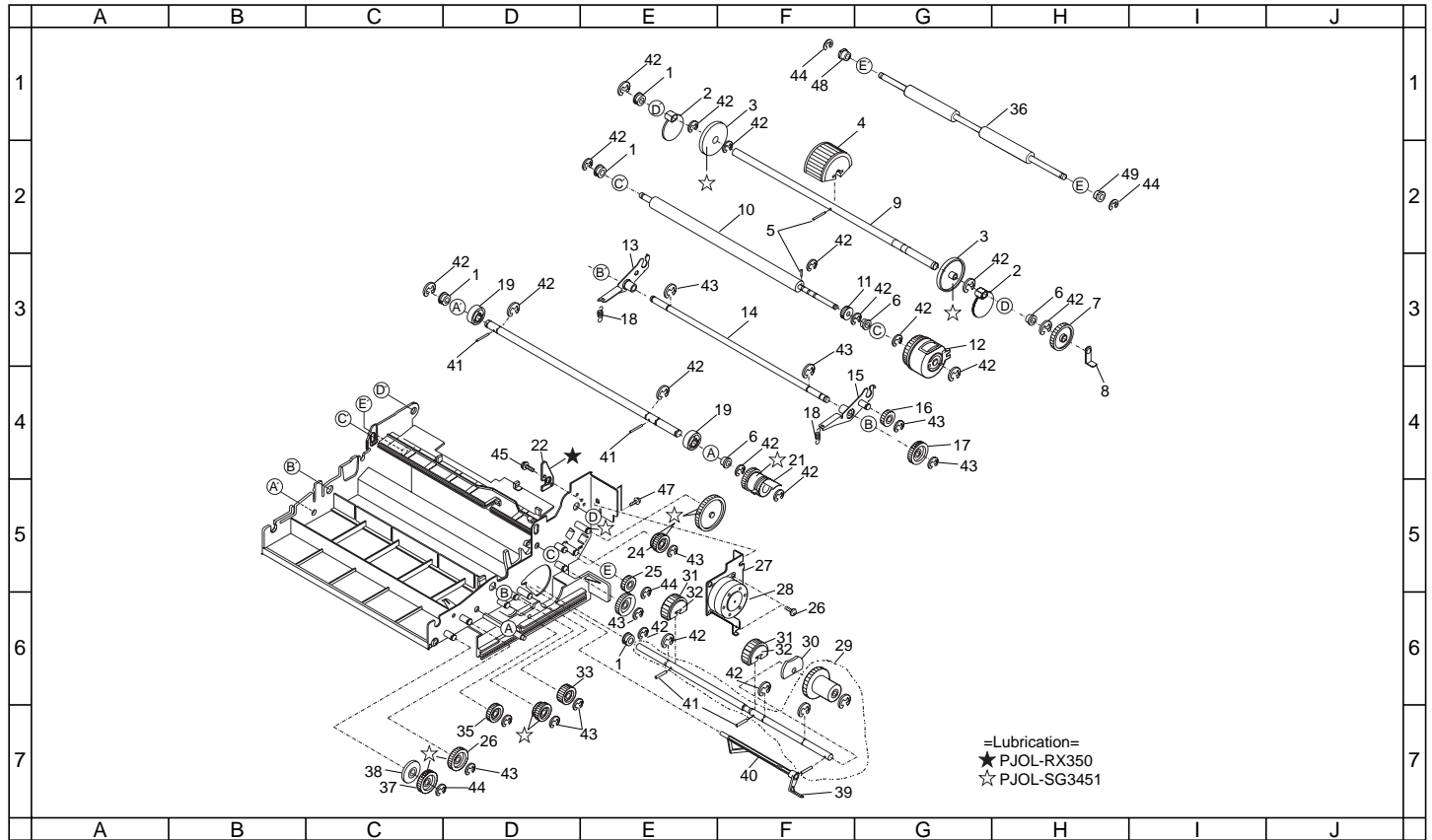


FIG. 4 PAPER FEEDER II

Ref. No.	Part. No.	Description	QTY	FS-5900C				
				KEE	KEU	KEF	KEA	KEI
1	5SNSP0012942	BUSHING	4	Yes	Yes	Yes	Yes	Yes
2	5SNSP0012943	CAM	2	Yes	Yes	Yes	Yes	Yes
3	5SNSP0012944	PICKUP GUIDE ROLLER	2	Yes	Yes	Yes	Yes	Yes
4	5SNSA580CE03	PICKUP ROLLER ASM	1	No	No	No	No	No
4	5SNSP0013446	PICKUP ROLLER ASM	1	Yes	Yes	Yes	Yes	Yes
5	5SNSP0012945	PIN	4	Yes	Yes	Yes	Yes	Yes
6	5SNSP0012946	BUSHING	3	Yes	Yes	Yes	Yes	Yes
7	5SNSP0012947	GEAR	1	Yes	Yes	Yes	Yes	Yes
8	5SNSP0012519	STR SENSOR ARM	1	Yes	Yes	Yes	Yes	Yes
9	5SNSP0012948	MPT ROLLER SHAFT	1	Yes	Yes	Yes	Yes	Yes
10	5SNSP0012499	REGISTRATION ROLLER	1	Yes	Yes	Yes	Yes	Yes
11	5SNSP0012949	RESIST ROLLER GEAR	1	Yes	Yes	Yes	Yes	Yes
12	5SNSP0012500	REGIST ROLLER CLUTCH	1	Yes	Yes	Yes	Yes	Yes
13	5SNSA580CE51	STR H ASSEMBLY LEFT	1	Yes	Yes	Yes	Yes	Yes
14	5SNSP0012950	STR HOLDER SHAFT	1	Yes	Yes	Yes	Yes	Yes
15	5SNSA580CE52	STR H ASSEMBLY RIGHT	1	Yes	Yes	Yes	Yes	Yes
16	5SNSP0012951	STR GEAR	1	Yes	Yes	Yes	Yes	Yes
17	5SNSP0012952	GEAR	1	Yes	Yes	Yes	Yes	Yes
18	5SNSP0012953	SPRING	2	Yes	Yes	Yes	Yes	Yes
19	5SNSP0012954	STR CAM	2	Yes	Yes	Yes	Yes	Yes
20	5SNSP0012955	STR CAM SHAFT	1	Yes	Yes	Yes	Yes	Yes
21	5SNSP0012520	STR CLUTCH	1	Yes	Yes	Yes	Yes	Yes
22	5SNSP0012956	MPT HOLDER GUIDE	1	No	No	No	No	No
22	5SNSP0012956	MPT HOLDER GUIDE	1	Yes	Yes	Yes	Yes	Yes
23	5SNSP0012957	GEAR	1	Yes	Yes	Yes	Yes	Yes
24	5SNSP0012958	GEAR	1	Yes	Yes	Yes	Yes	Yes
25	5SNSP0012959	GEAR	1	Yes	Yes	Yes	Yes	Yes
26	5SNSP0012960	GEAR	2	Yes	Yes	Yes	Yes	Yes
27	5SNSP0012961	MOTOR BRACKET PFU	1	Yes	Yes	Yes	Yes	Yes
28	5SNSP0012501	MOTOR PAPER FEED	1	No	No	No	No	No
28	5SNSP0013352	MOTOR PAPER FEED	1	Yes	Yes	Yes	Yes	Yes
29	5SNSA580CE13	CLUTCH ASM FEED UNIT	1	No	No	No	No	No
29	5SNSP0013443	CLUTCH ASM FEED UNIT	1	Yes	Yes	Yes	Yes	Yes
30	5SNSP0012962	BUSHING	1	Yes	Yes	Yes	Yes	Yes
31	5SNSP0012502	PICKUP ROLLER RUBBER	2	Yes	Yes	Yes	Yes	Yes
32	5SNSP0012503	PICKUP ROLLER	2	Yes	Yes	Yes	Yes	Yes
33	5SNSP0012963	GEAR	1	Yes	Yes	Yes	Yes	Yes
34	5SNSP0012964	GEAR	1	Yes	Yes	Yes	Yes	Yes
35	5SNSP0012965	GEAR	1	Yes	Yes	Yes	Yes	Yes
36	5SNSP0012966	PAPER FEED ROLLER	1	Yes	Yes	Yes	Yes	Yes

Ref. No.	Part. No.	Description	QTY	FS-5900C				
				KEE	KEU	KEF	KEA	KEI
37	5SNSP0012967	JOINT GEAR	1	No	No	No	No	No
37	5SNSP0013312	JOINT GEAR	1	Yes	Yes	Yes	Yes	Yes
38	5SNSP0012968	GERA GUIDE ROLLER	1	Yes	Yes	Yes	Yes	Yes
39	5SNSP0012521	PAPER OUT SENSOR ARM	1	Yes	Yes	Yes	Yes	Yes
40	5SNSP0012522	PAPER E SENSOR ARM	1	Yes	Yes	Yes	Yes	Yes
41	5SNSP0012969	PIN	2	Yes	Yes	Yes	Yes	Yes
42	5SNSP0013180	E-RING	17	Yes	Yes	Yes	Yes	Yes
43	5SNSP0013191	E-RING	9	Yes	Yes	Yes	Yes	Yes
44	5SNSP0013192	E-RING	4	No	No	No	No	No
44		E-RING	4	Yes	Yes	Yes	Yes	Yes
45	5SNSP0013188	SCREW 3 x 5	1	Yes	Yes	Yes	Yes	Yes
46	5SNSP0013190	SCREW 3 x 6	2	Yes	Yes	Yes	Yes	Yes
47	5SNSP0013193	SCREW 3 x 6	1	Yes	Yes	Yes	Yes	Yes
48	5SNSP0012970	BEARING	1	Yes	Yes	Yes	Yes	Yes
49	5SNSP0012971	BEARING	1	Yes	Yes	Yes	Yes	Yes

FIG. 5 POWER SUPPLY UNIT

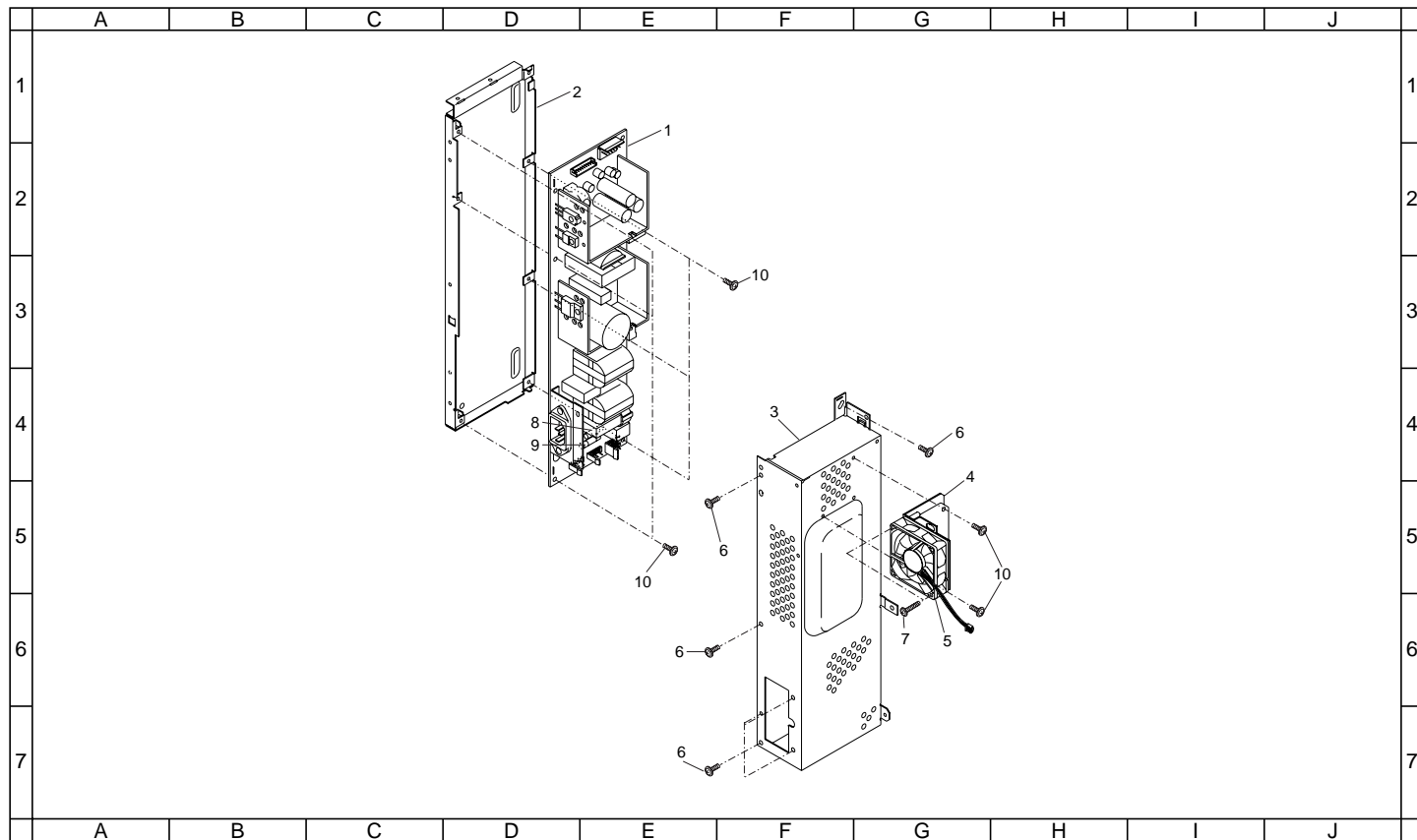


FIG. 5 POWER SUPPLY UNIT

Ref. No.	Part. No.	Description	QTY	FS-5900C				
				KEE	KEU	KEF	KEA	KEI
1	5SNA580CU01	POWER SUPPLY (U)	1	No	No	No	No	No
1	5SNSP0012575	POWER SUPPLY (E)	1	No	No	No	No	No
1	5SNSP0013415	POWER SUPPLY (E)	1	Yes	Yes	Yes	Yes	Yes
2	5SNSP0012972	POWER SUPPLY FRAME	1	No	No	No	No	No
2	5SNSP0013406	POWER SUPPLY FRAME	1	Yes	Yes	Yes	Yes	Yes
3	5SNSP0012973	SHIELD COVER	1	No	No	No	No	No
3	5SNSP0013375	SHIELD COVER	1	Yes	Yes	Yes	Yes	Yes
4	5SNSP0012974	FAN MOTOR BRACKET	1	Yes	Yes	Yes	Yes	Yes
5	5SNSP0012504	FAN MOTOR	1	Yes	Yes	Yes	Yes	Yes
6	5SNSP0013190	SCREW 3 x 6	13	Yes	Yes	Yes	Yes	Yes
7	5SNSP0013194	SCREW 3 x 25	2	Yes	Yes	Yes	Yes	Yes
8	5SNSP0012975	FUSE(F201)	1	No	No	No	No	No
8	5SNSP0013450	FUSE(F201)	1	Yes	Yes	Yes	Yes	Yes
9	5SNSP0012976	FUSE(F203)	1	No	No	No	No	No
9	5SNSP0013451	FUSE(F203)	1	Yes	Yes	Yes	Yes	Yes

FIG. 6 TONER CARTRIDGE SELECTOR/PAPER EJECT UNIT I

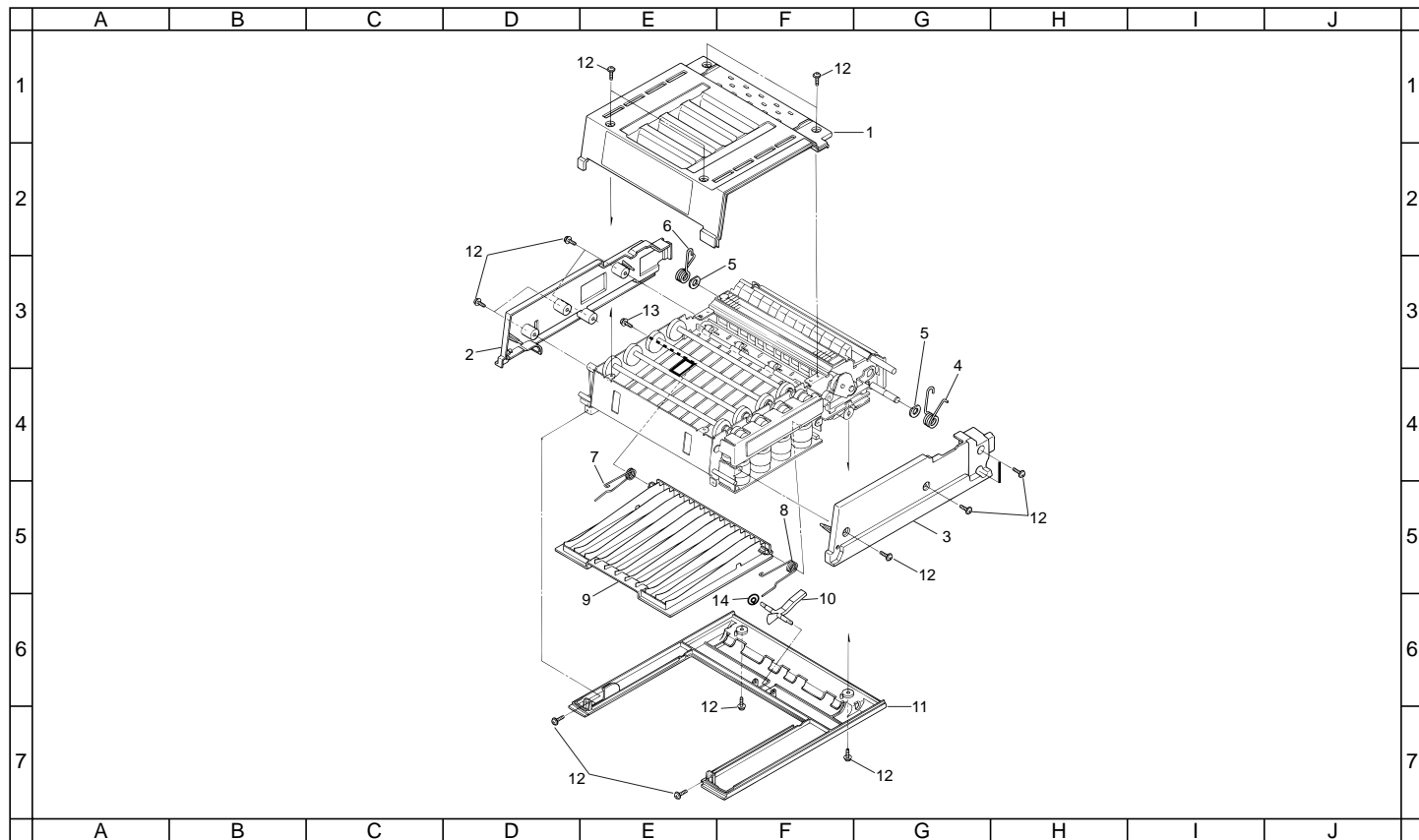


FIG. 6 TONER CARTRIDGE SELECTOR/PAPER EJECT UNIT I

Ref. No.	Part. No.	Description	QTY	FS-5900C				
				KEE	KEU	KEF	KEA	KEI
1	5SNSP0012579	UNIT INNER COVER	1	No	No	No	No	No
1	5SNSP0013430	UNIT INNER COVER	1	Yes	Yes	Yes	Yes	Yes
2	5SNSP0012578	SOLENOID SIDE COVER	1	Yes	Yes	Yes	Yes	Yes
3	5SNSP0012571	MOTOR SIDE COVER	1	Yes	Yes	Yes	Yes	Yes
4	5SNSP0012567	SPRING D	1	Yes	Yes	Yes	Yes	Yes
5	5SNSP0012568	SPACER	2	Yes	Yes	Yes	Yes	Yes
6	5SNSP0012564	SPRING C	1	Yes	Yes	Yes	Yes	
7	5SNSP0012566	COVER SPRING B	1	Yes	Yes	Yes	Yes	Yes
8	5SNSP0012565	COVER SPRING A	1	Yes	Yes	Yes	Yes	Yes
9	5SNSP0012573	FACE DOWN COVER	1	No	No	No	No	No
9	5SNSP0013431	FACE DOWN COVER	1	Yes	Yes	Yes	Yes	Yes
10	5SNSP0012570	FULL SENSOR ARM	1	Yes	Yes	Yes	Yes	Yes
11	5SNSP0012574	UNIT COVER	1	No	No	No	No	No
11	5SNSP0013367	UNIT COVER	1	Yes	Yes	Yes	Yes	Yes
12	5SNSP0012581	SCREW3X8	16	Yes	Yes	Yes	Yes	Yes
13	5SNSP0012562	SCREW3X8	1	Yes	Yes	Yes	Yes	Yes

FIG. 7 TONER CARTRIDGE SELECTOR/PAPER EJECT UNIT II

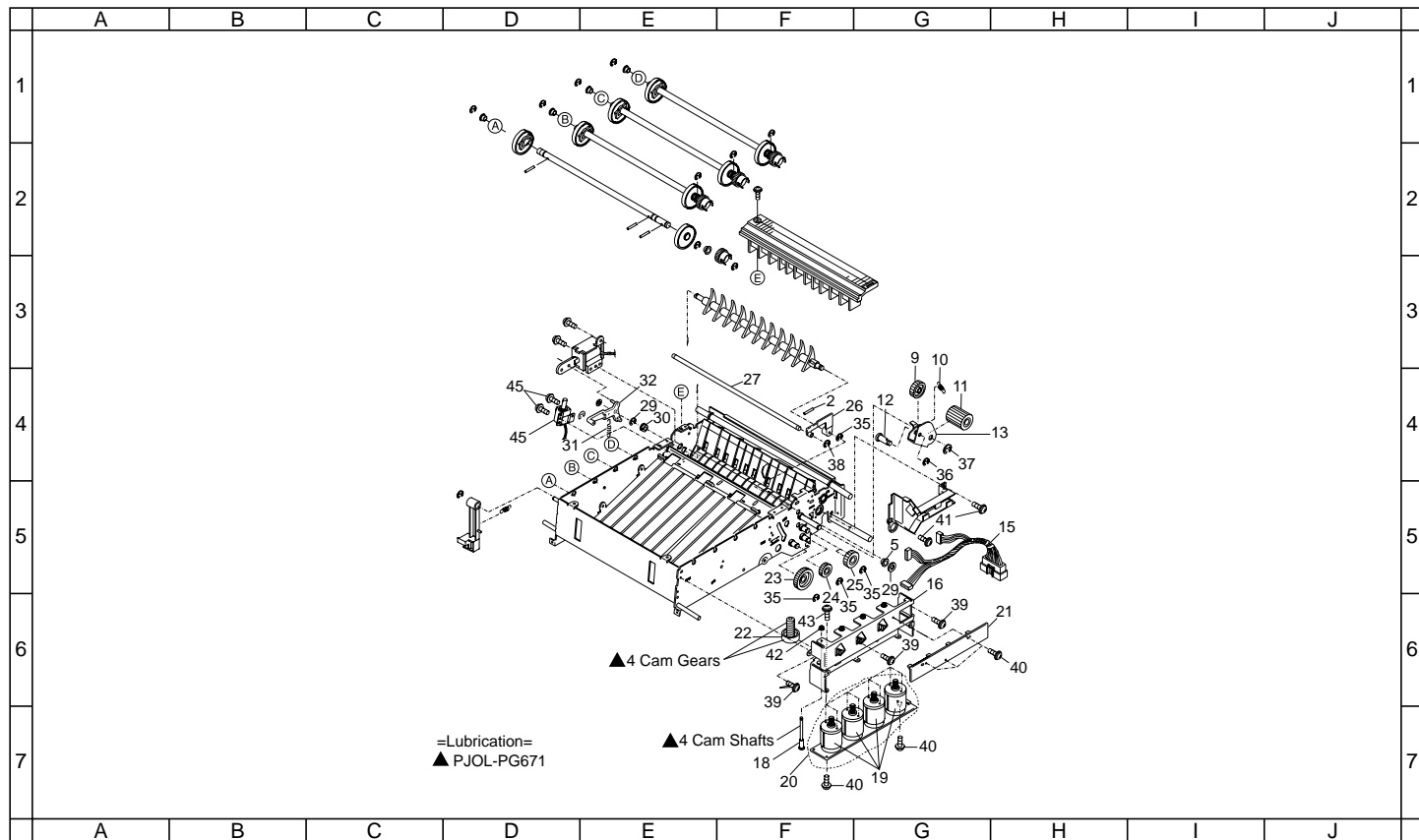


FIG. 7 TONER CARTRIDGE SELECTOR/PAPER EJECT UNIT II

Ref. No.	Part. No.	Description	QTY	FS-5900C				
				KEE	KEU	KEF	KEA	KEI
1	5SNSP0012977	TONER SELECTOR SHAFT	4	No	No	No	No	No
1	5SNSP0013311	TONER SELECTOR SHAFT	1	Yes	Yes	Yes	Yes	Yes
2	5SNSP0012978	PIN	8	Yes	Yes	Yes	Yes	Yes
3	5SNSP0012979	PIN	4	Yes	Yes	Yes	Yes	Yes
4	5SNSP0012980	TONER SELECTOR CAM	4	Yes	Yes	Yes	Yes	Yes
5	5SNSP0012981	BUSHING	9	Yes	Yes	Yes	Yes	Yes
6	5SNSP0012982	TS CAM GEAR	4	Yes	Yes	Yes	Yes	Yes
7	5SNSP0012983	UP EJECTION GUIDE	1	No	No	No	No	No
7	5SNSP0013337	UP EJECTION GUIDE	1	Yes	Yes	Yes	Yes	Yes
8	5SNSP0012984	FD SWITCH GATE	1	No	No	No	No	No
8	5SNSP0013338	FD SWITCH GATE	1	Yes	Yes	Yes	Yes	Yes
9	5SNSP0012985	GEAR	1	Yes	Yes	Yes	Yes	Yes
10	5SNSP0012986	JOINT GEAR SPRING	1	Yes	Yes	Yes	Yes	Yes
11	5SNSP0012987	GEAR	1	Yes	Yes	Yes	Yes	Yes
12	5SNSP0012988	JOINT GEAR SHAFT	1	Yes	Yes	Yes	Yes	Yes
13	5SNSP0012989	JOINT GEAR BRACKET	1	Yes	Yes	Yes	Yes	Yes
14	5SNSP0012990	RELAY CABLE BRACKET	1	No	No	No	No	No
14	5SNSP0013343	RELAY CABLE BRACKET	1	Yes	Yes	Yes	Yes	Yes
15	5SNSP0012991	CABLE	1	No	No	No	No	No
15	5SNSP0013364	CABLE	1	Yes	Yes	Yes	Yes	Yes
16	5SNSP0012992	CAM MOTOR BRACKET	1	No	No	No	No	No
16	5SNSP0013332	CAM MOTOR BRACKET	1	Yes	Yes	Yes	Yes	Yes
17	5SNSP0012993	PLASTIC WASHER	4	No	No	No	No	No
18	5SNSP0012994	CAM SHAFT	4	Yes	Yes	Yes	Yes	Yes
19	5SNSP0012484	CAM MOTOR	4	Yes	Yes	Yes	Yes	Yes
20	5SNSP0012995	CM BOARD WITH MOTOR	1	No	No	No	No	No
20	5SNSP0013416	CM BOARD WITH MOTOR	1	Yes	Yes	Yes	Yes	Yes
21	5SNSP0012996	TCM SENSOR BOARD	1	No	No	No	No	No
21	5SNSP0013417	TCM SENSOR BOARD	1	Yes	Yes	Yes	Yes	Yes
22	5SNSP0012997	CAM GEAR	4	No	No	No	No	No
22	5SNSP0013315	CAM GEAR	1	Yes	Yes	Yes	Yes	Yes
23	5SNSP0012998	GEAR	1	Yes	Yes	Yes	Yes	Yes
24	5SNSP0012999	GEAR	1	Yes	Yes	Yes	Yes	Yes
25	5SNSP0013000	GEAR	1	Yes	Yes	Yes	Yes	Yes
26	5SNSP0012523	SWITCH BACK ARM	1	No	No	No	No	No
26	5SNSP0013334	SWITCH BACK ARM	1	Yes	Yes	Yes	Yes	Yes
27	5SNSP0013001	SWITCH BACK SHAFT	1	Yes	Yes	Yes	Yes	Yes
28	5SNSA580CE07	SOLENOID ASSEMBLY	1	Yes	Yes	Yes	Yes	Yes
29	5SNSP0013002	PLASTIC WASHER	1	Yes	Yes	Yes	Yes	Yes
30	5SNSP0013003	BUSHING	1	Yes	Yes	Yes	Yes	Yes

Ref. No.	Part. No.	Description	QTY	FS-5900C				
				KEE	KEU	KEF	KEA	KEI
31	5SNSP0013004	SPRING	1	Yes	Yes	Yes	Yes	Yes
32	5SNSP0013005	SWITCH BACK ARM	1	Yes	Yes	Yes	Yes	Yes
33	5SNSP0012524	RELEASE LEVER	1	Yes	Yes	Yes	Yes	Yes
34	5SNSP0013006	SPRING	1	Yes	Yes	Yes	Yes	Yes
35	5SNSP0013191	E-RING	17	Yes	Yes	Yes	Yes	Yes
36	5SNSP0012560	E-RING	2	Yes	Yes	Yes	Yes	Yes
37	5SNSP0013180	E-RING	1	Yes	Yes	Yes	Yes	Yes
38	5SNSP0013195	E-RING	2	Yes	Yes	Yes	Yes	Yes
39	5SNSP0013190	SCREW 3 x 6	7	Yes	Yes	Yes	Yes	Yes
40	5SNSP0013196	SCREW 3 x 8	5	Yes	Yes	Yes	Yes	Yes
41	5SNSP0012581	SCREW3X8	1	Yes	Yes	Yes	Yes	Yes
42	5SNSP0013007	NUT	4	Yes	Yes	Yes	Yes	Yes
43	5SNSP0013197	SCREW 26 x 5	8	Yes	Yes	Yes	Yes	Yes
44	5SNSP0013008	DEVELOPER CAM	4	No	No	No	No	No
44	5SNSP0013008	DEVELOPER CAM	4	Yes	Yes	Yes	Yes	Yes

FIG. 8 TONER CARTRIDGE SELECTOR/PAPER EJECT UNIT III

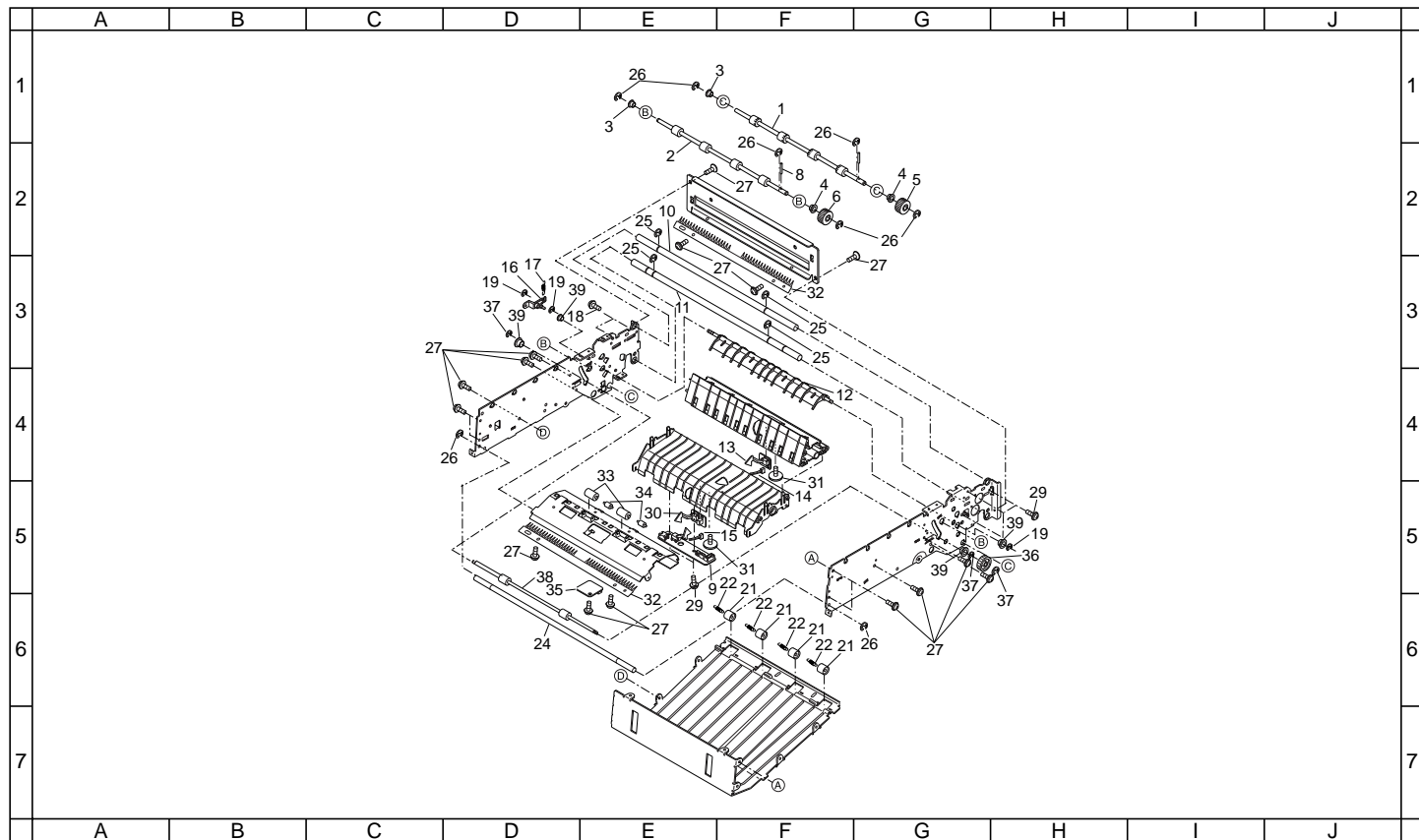


FIG. 8 TONER CARTRIDGE SELECTOR/PAPER EJECT UNIT III

Ref. No.	Part. No.	Description	QTY	FS-5900C				
				KEE	KEU	KEF	KEA	KEI
1	5SNSP0013009	PAPER EJECT ROLLER	1	No	No	No	No	No
1	5SNSP0013320	PAPER EJECT ROLLER	1	Yes	Yes	Yes	Yes	Yes
2	5SNSP0012010	PAPER EJECT ROLLER	1	No	No	No	No	No
2	5SNSP0013323	PAPER EXIT ROLLER	1	Yes	Yes	Yes	Yes	Yes
3	5SNSP0013011	BUSHING	2	Yes	Yes	Yes	Yes	Yes
4	5SNSP0013012	BUSHING	2	Yes	Yes	Yes	Yes	Yes
5	5SNSP0013013	GEAR	1	Yes	Yes	Yes	Yes	Yes
6	5SNSP0013014	GEAR	1	Yes	Yes	Yes	Yes	Yes
7	5SNSP0013015	PIN	1	Yes	Yes	Yes	Yes	Yes
8	5SNSP0013016	PIN	1	Yes	Yes	Yes	Yes	Yes
9	5SNSA580CE17	EJECT SENSOR BOARD	1	No	No	No	No	No
9	5SNSP0013421	JAM A/D SW PWB	1	Yes	Yes	Yes	Yes	Yes
10	5SNSP0013017	STOPPER SHAFT	1	Yes	Yes	Yes	Yes	Yes
11	5SNSP0013018	SUPPORTER SHAFT	1	Yes	Yes	Yes	Yes	Yes
12	5SNSP0012525	PAPER EJECTION GUIDE	2	No	No	No	No	No
12	5SNSP0013339	PAPER EJECTION GUIDE	1	Yes	Yes	Yes	Yes	Yes
13	5SNSP0012518	EXIT SENSOR ARM	1	No	No	No	No	No
13	5SNSP0013418	JAM C SW PCB	1	Yes	Yes	Yes	Yes	Yes
14	5SNSP0013019	GUIDE ROLLER	4	No	No	No	No	No
14	5SNSP0013353	CABLE	1	Yes	Yes	Yes	Yes	Yes
15	5SNSP0013020	GUIDE ROLLER SPRING	4	No	No	No	No	No
15	5SNSP0013354	CABLE	1	Yes	Yes	Yes	Yes	Yes
16	5SNSP0012530	EJECTION SENSOR ARM	1	No	No	No	No	No
16	5SNSP0013340	A/D GATE ARM	1	Yes	Yes	Yes	Yes	Yes
17	5SNSP0013021	SPRING	1	No	No	No	No	No
17		SPRING	1	Yes	Yes	Yes	Yes	Yes
18	5SNSP0013022	PLASTIC WASHER	1	No	No	No	No	No
18	5SNSP0013455	SCREW 3 X 10	1	Yes	Yes	Yes	Yes	Yes
19	5SNSA580CE18	EXIT SENSOR BOARD	1	No	No	No	No	No
19	5SNSP0013385	PLASTIC WASHER	1	Yes	Yes	Yes	Yes	Yes
20	5SNSP0013023	CABLE	1	No	No	No	No	No
21	5SNSP0012538	ROLLER	4	Yes	Yes	Yes	Yes	Yes
22	5SNSP0012539	SPRING	4	Yes	Yes	Yes	Yes	Yes
23	5SNSA580CE19	FULL SENSOR BOARD	1	No	No	No	No	No
24	5SNSP0013024	HOOK SHAFT	1	Yes	Yes	Yes	Yes	Yes
25	5SNSP0013180	E-RING	4	Yes	Yes	Yes	Yes	Yes
26	5SNSP0013191	E-RING	8	Yes	Yes	Yes	Yes	Yes
27	5SNSP0013190	SCREW 3 x 6	10	Yes	Yes	Yes	Yes	Yes
28	5SNSP0012562	SCREW3X8	4	No	No	No	No	No

FIG. 9 UPER, REAR AND LEFT SIDE PARTS

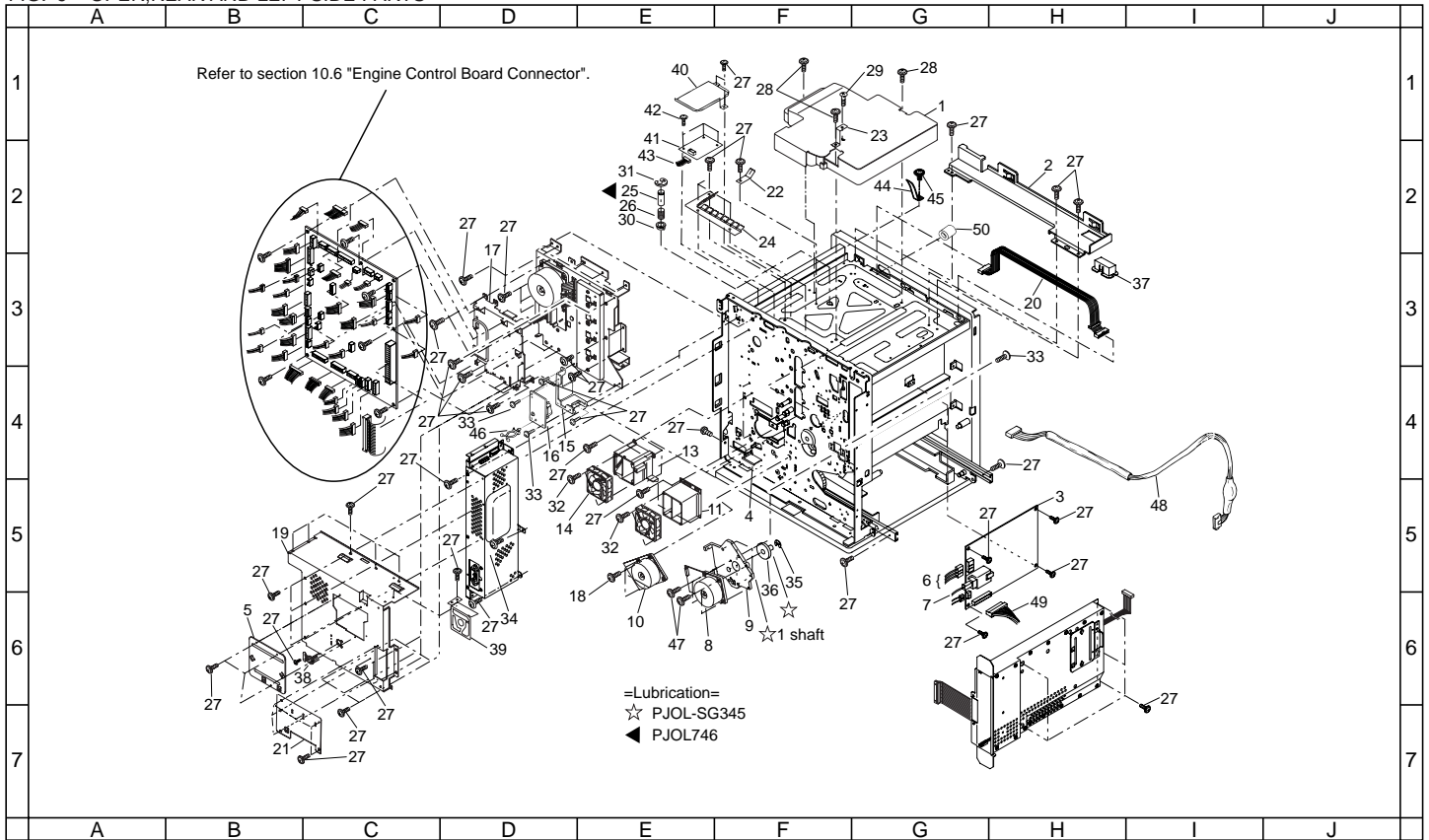


FIG. 9 UPER, REAR AND LEFT SIDE PARTS

Ref. No.	Part. No.	Description	QTY	FS-5900C				
				KEE	KEU	KEF	KEA	KEI
1	5SNSA580CE08	LASER SCANNING UNIT	1	No	No	No	No	No
1	5SNSP0013407	LASER SCANNING UNIT	1	Yes	Yes	Yes	Yes	Yes
2	5SNSP0013025	FP CABLE COVER	1	No	No	No	No	No
2	5SNSP0013435	FP CABLE COVER	1	Yes	Yes	Yes	Yes	Yes
3	5SNSA580CE09	HIGH VOLTAGE BOARD	1	No	No	No	No	No
3	5SNSP0013373	HIGH VOLTAGE BOARD	1	Yes	Yes	Yes	Yes	Yes
4	5SNSP0013026	SWITCH COVER PLATE	1	Yes	Yes	Yes	Yes	Yes
5	5SNSP0013027	ROM ACCESS PANEL	1	Yes	Yes	Yes	Yes	Yes
6	5SNSP0013028	HUU CABLE	1	No	No	No	No	No
6	5SNSP0013411	HUU CABLE	1	Yes	Yes	Yes	Yes	Yes
7	5SNSP0013029	HVU CABLE	1	Yes	Yes	Yes	Yes	Yes
8	5SNSP0012505	MAIN MOTOR	1	No	No	No	No	No
8	5SNSP0013349	MAIN MOTOR	1	Yes	Yes	Yes	Yes	Yes
9	5SNSP0013030	MAIN MOTOR BRACKET	1	No	No	No	No	No
9	5SNSP0013445	MAIN MOTOR BRACKET	1	Yes	Yes	Yes	Yes	Yes
10	5SNSP0012506	PAPER FEED MOTOR	1	No	No	No	No	No
10	5SNSP0013351	PAPER FEED MOTOR	1	Yes	Yes	Yes	Yes	Yes
11	5SNSP0013031	OZONE FAN M BRACKET	1	No	No	No	No	No
11	5SNSP0013444	OZONE FAN M BRACKET	1	Yes	Yes	Yes	Yes	Yes
12	5SNSP0012507	FAN MOTOR	1	Yes	Yes	Yes	Yes	Yes
13	5SNSP0013032	F/T CFM BRACKET	1	Yes	Yes	Yes	Yes	Yes
14	5SNSP0012507	FAN MOTOR	1	No	No	No	No	No
14	5SNSP0013449	FAN MOTOR	1	Yes	Yes	Yes	Yes	Yes
15	5SNSP0013033	C BOARD BRACKET	1	Yes	Yes	Yes	Yes	Yes
16	5SNSA580CE24	CLEANING BOARD	1	Yes	Yes	Yes	Yes	Yes
17	5SNSP0013034	DRIVE UNIT COVER	1	Yes	Yes	Yes	Yes	Yes
18	5SNSP0013198	SCREW 3 x 10	8	Yes	Yes	Yes	Yes	Yes
19	5SNSP0013035	ECB SHIELD COVER	1	No	No	No	No	No
19	5SNSP0013404	ECB SHIELD COVER	1	Yes	Yes	Yes	Yes	Yes
20	5SNSP0013036	LCD HARNESS	1	No	No	No	No	No
20	5AACCNON4GEA	CONN.CORD ASSY	1	Yes	Yes	Yes	Yes	Yes
21	5SNSP0013037	FC SHIELD PLATE	1	No	No	No	No	No
21	5SNSP0013377	FC SHIELD PLATE	1	Yes	Yes	Yes	Yes	Yes
22	5SNSP0013038	EARTH PLATE	1	Yes	Yes	Yes	Yes	Yes
23	5SNSP0013039	EARTH PLATE	1	Yes	Yes	Yes	Yes	Yes
24	5SNSP0013040	EARTH PLATE	1	Yes	Yes	Yes	Yes	Yes
25	5SNSP0013041	PM HEAT SINK SHAFT	1	Yes	Yes	Yes	Yes	Yes
26	5SNSP0013042	PM HEAT SINK SPRING	1	Yes	Yes	Yes	Yes	Yes
27	5SNSP0013190	SCREW 3 x 6	71	Yes	Yes	Yes	Yes	Yes
28	5SNSP0013199	SCREW 4 x 14	3	Yes	Yes	Yes	Yes	Yes

Ref. No.	Part. No.	Description	QTY	FS-5900C				
				KEE	KEU	KEF	KEA	KEI
29	5SNSP0013200	SCREW 3 x 6	1	Yes	Yes	Yes	Yes	Yes
30	5SNSP0013043	BUSHING	1	Yes	Yes	Yes	Yes	Yes
31	5SNSP0013201	E-RING	1	Yes	Yes	Yes	Yes	Yes
32	5SNSP0013202	SCREW 3 x 35	4	Yes	Yes	Yes	Yes	Yes
33	5SNSP0013203	SCREW 3 x 8	3	Yes	Yes	Yes	Yes	Yes
34	5SNSP0013044	CABLE CLAMP	1	No	No	No	No	No
34		CABLE CLAMP	1	Yes	Yes	Yes	Yes	Yes
35	5SNSP0013191	E-RING	1	Yes	Yes	Yes	Yes	Yes
36	5SNSP0012527	MAIN GEAR	1	Yes	Yes	Yes	Yes	Yes

FIG. 10 ENGINE CONTROL BOARD CONNECTOR

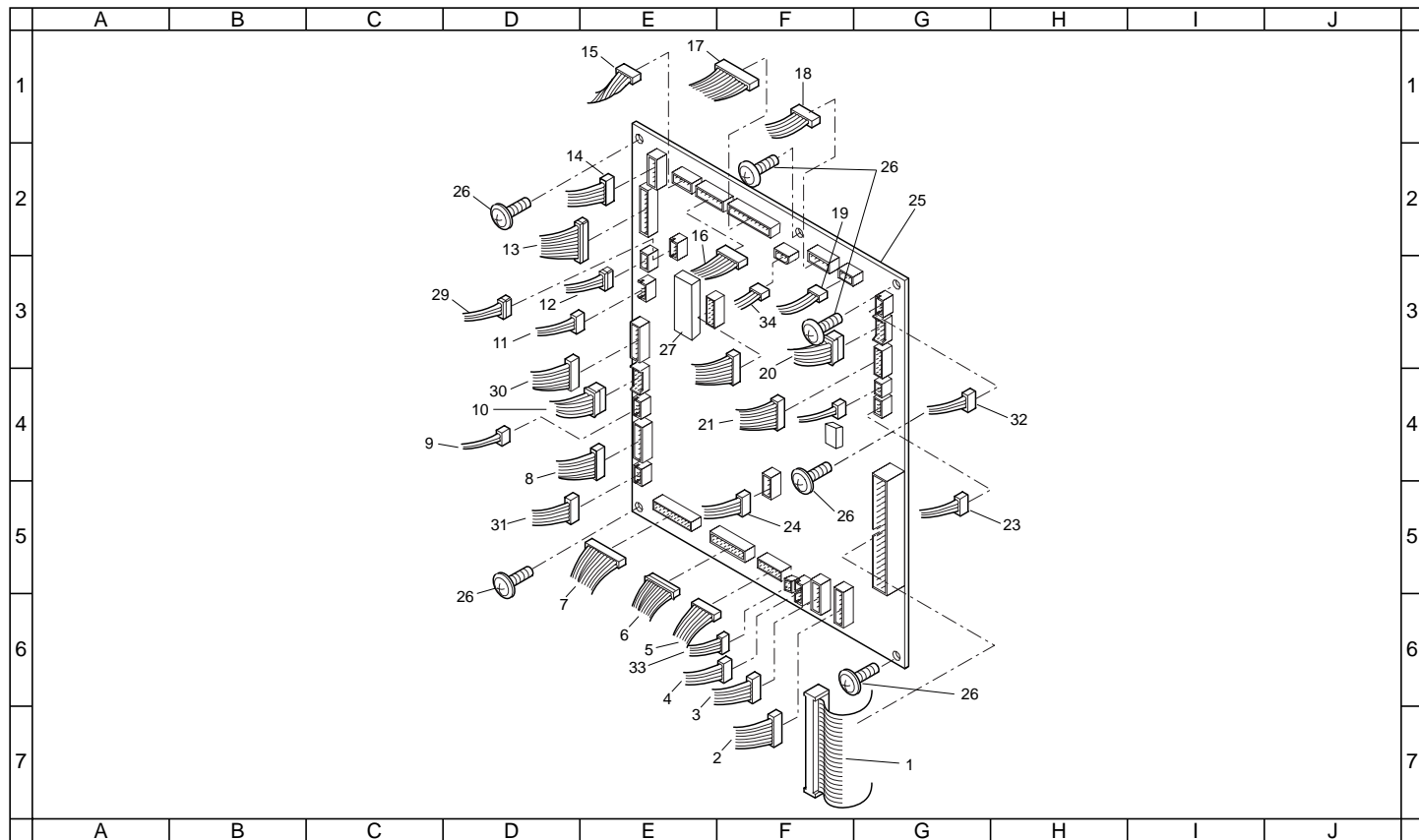


FIG. 10 ENGINE CONTROL BOARD CONNECTOR

Ref. No.	Part. No.	Description	QTY	FS-5900C				
				KEE	KEU	KEF	KEA	KEI
1	5SNSP0013045	FLAT CABLE	1	No	No	No	No	No
1	5SNSP0013362	FLAT CABLE	1	Yes	Yes	Yes	Yes	Yes
2	5SNSP0013046	CABLE	1	Yes	Yes	Yes	Yes	Yes
3	5SNSP0013047	CABLE	1	Yes	Yes	Yes	Yes	Yes
4	5SNSP0013048	CABLE	1	No	No	No	No	No
4	5SNSP0013357	CABLE	1	Yes	Yes	Yes	Yes	Yes
5	5SNSP0013049	CABLE	1	Yes	Yes	Yes	Yes	Yes
6	5SNSP0013050	CABLE	1	Yes	Yes	Yes	Yes	Yes
7	5SNSP0013051	CABLE	1	No	No	No	No	No
7	5SNSP0013361	CABLE	1	Yes	Yes	Yes	Yes	Yes
8	5SNSP0013052	CABLE	1	Yes	Yes	Yes	Yes	Yes
9	5SNSP0013053	CABLE	1	Yes	Yes	Yes	Yes	Yes
10	5SNSP0013054	CABLE	1	No	No	No	No	No
10	5SNSP0012543	CABLE	1	Yes	Yes	Yes	Yes	Yes
11	5SNSP0013055	CABLE	1	Yes	Yes	Yes	Yes	Yes
12	5SNSP0013056	CABLE	1	Yes	Yes	Yes	Yes	Yes
13	5SNSP0013057	CABLE	1	No	No	No	No	No
13	5SNSP0013358	CABLE	1	Yes	Yes	Yes	Yes	Yes
14	5SNSP0013058	CABLE	1	No	No	No	No	No
14		CABLE	1	Yes	Yes	Yes	Yes	Yes
15	5SNSP0013059	CABLE	1	No	No	No	No	No
15	5SNSP0013413	CABLE	1	Yes	Yes	Yes	Yes	Yes
16	5SNSP0013060	CABLE	1	Yes	Yes	Yes	Yes	Yes
17	5SNSP0013061	CABLE	1	Yes	Yes	Yes	Yes	Yes
18	5SNSP0013062	CABLE	1	Yes	Yes	Yes	Yes	Yes
19	5SNSP0013063	CABLE	1	Yes	Yes	Yes	Yes	Yes
20	5SNSP0013064	CABLE	1	No	No	No	No	No
20	5SNSP0013360	CABLE	1	Yes	Yes	Yes	Yes	Yes
21	5SNSP0013065	CABLE	1	Yes	Yes	Yes	Yes	Yes
22	5SNSP0013066	CABLE	1	Yes	Yes	Yes	Yes	Yes
23	5SNSP0013067	CABLE	1	Yes	Yes	Yes	Yes	Yes
24	5SNSP0013068	CABLE	1	Yes	Yes	Yes	Yes	Yes
25	5SNSA580CE10	ENGINE CONTROL BOARD	1	No	No	No	No	No
25	5SNSP0013425	ENGINE CONTROL BOARD	1	Yes	Yes	Yes	Yes	Yes
26	5SNSP0013203	SCREW 3 x 8	6	Yes	Yes	Yes	Yes	Yes
27	5SNSP0012509	ROM(IC4)	1	No	No	No	No	No
27	5SNSP0013409	ROM(IC4)	1	Yes	Yes	Yes	Yes	Yes
28	5SNSP0013069	EEPROM (IC6)	1	No	No	No	No	No
28	5SNSP0013426	EEPROM (IC6)	1	Yes	Yes	Yes	Yes	Yes
	5AAPRLGG6001AH	P.W.B.ASSY KP-644	1	No	No	No	No	No

Ref. No.	Part. No.	Description	QTY	FS-5900C				
				KEE	KEU	KEF	KEA	KEI
	5AAPRMEG4019JH	P.W.B.ASSY KP-610	1	No	No	No	No	No
	5AAPRMEG4019KH	P.W.B.ASSY KP-610	1	No	No	No	No	No
	5AAPRLGG4033AH	PWB ASSY(RIP)	1	Yes	Yes	Yes	Yes	Yes
	5AAPRMEG4021EQ	PWB ASSY(DIMM BOOT)	1	Yes	Yes	Yes	Yes	Yes
	5AAPRMEG4021FQ	PWB ASSY(DIMM SYSTEM)	1	Yes	Yes	Yes	Yes	Yes
	5AAPRIFG4014AH	PWB ASSY(PIF)	1	Yes	Yes	Yes	Yes	Yes
	5AACCNQR3GEA	CONN.CORD S02345	1	Yes	Yes	Yes	Yes	Yes
	5AAV580CE*03	PLATE REAR ASSY	1	Yes	Yes	Yes	Yes	Yes

FIG. 11 PRINTER MAIN CONTROL BOARD

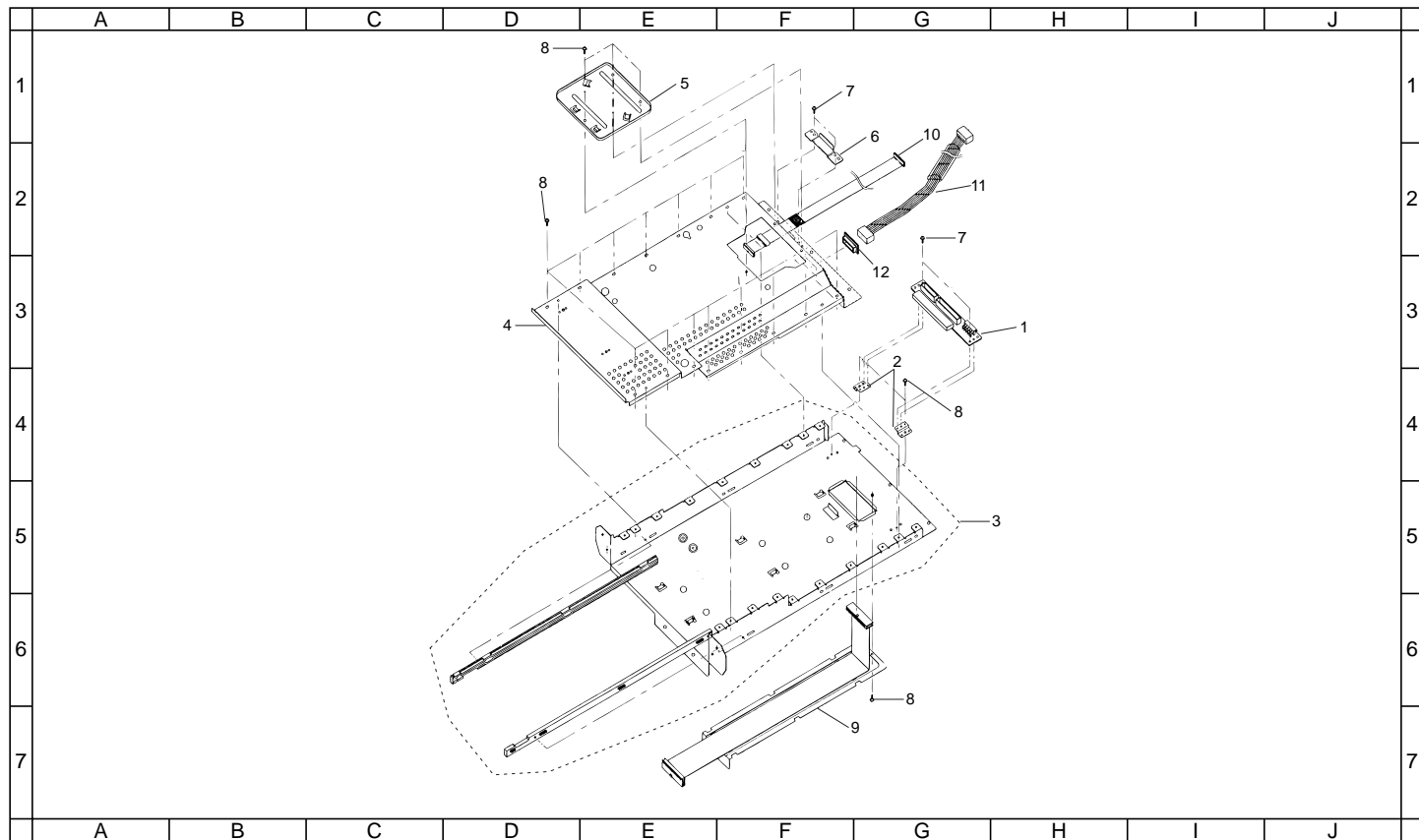


FIG. 11 PRINTER MAIN CONTROL BOARD

Ref. No.	Part. No.	Description	QTY	FS-5900C				
				KEE	KEU	KEF	KEA	KEI
1			1	No	No	No	No	No
1	5AAPRZZG2016AH	PWB ASSY(RER)	1	Yes	Yes	Yes	Yes	Yes
2	5SNSP0013075	BOARD BRACKET	1	No	No	No	No	No
3	5SNSP0013405	RIP CHASSIS ASSY	1	No	No	No	No	No
4	5SNSP0013399	RIP CoVER	1	No	No	No	No	No
5			1	No	No	No	No	No
6	5SNSP0013081	EMI PLATE	1	No	No	No	No	No
7			1	No	No	No	No	No
8	5SNSP0013074	PP RELAY BOARD	1	No	No	No	No	No
8	5SNSP0013204	PP RELAY BOARD	1	Yes	Yes	Yes	Yes	Yes
9	5SNSP0013075	BOARD BRACKET	2	No	No	No	No	No
9	5SNSP0013410	VIDEo i/F CABLE ASSY	1	Yes	Yes	Yes	Yes	Yes
10	5SNSP0013076	RIP CHASSIS	1	No	No	No	No	No
11	5SNSP0013077	RIP COVER	1	No	No	No	No	No
11		RIP COVER	1	Yes	Yes	Yes	Yes	Yes
12			1	No	No	No	No	No
13	5SNSP0013080	EMC PLATE	1	No	No	No	No	No
14			1	No	No	No	No	No
15			1	No	No	No	No	No
16			1	No	No	No	No	No
17	5SNSP0013081	PCB STUD	1	No	No	No	No	No
18	5SNSP0013190	SCREW 3 x 6	24	No	No	No	No	No
19	5SNSP0013204	SCREW 3 x 4	6	No	No	No	No	No
20			1	No	No	No	No	No
21	5SNSP0013179	SCREW 3 x 6	5	No	No	No	No	No
22			1	No	No	No	No	No
23			1	No	No	No	No	No
24			1	No	No	No	No	No
25			1	No	No	No	No	No
26	5SNSP0013082	FLAT CABLE COVER	1	No	No	No	No	No
27			1	No	No	No	No	No
28	5AAY580CE*04	CONTROLLER UNIT	1	No	No	No	No	No
29			1	No	No	No	No	No

FIG. 12 TONER CARTRIDGE DRIVE UNIT

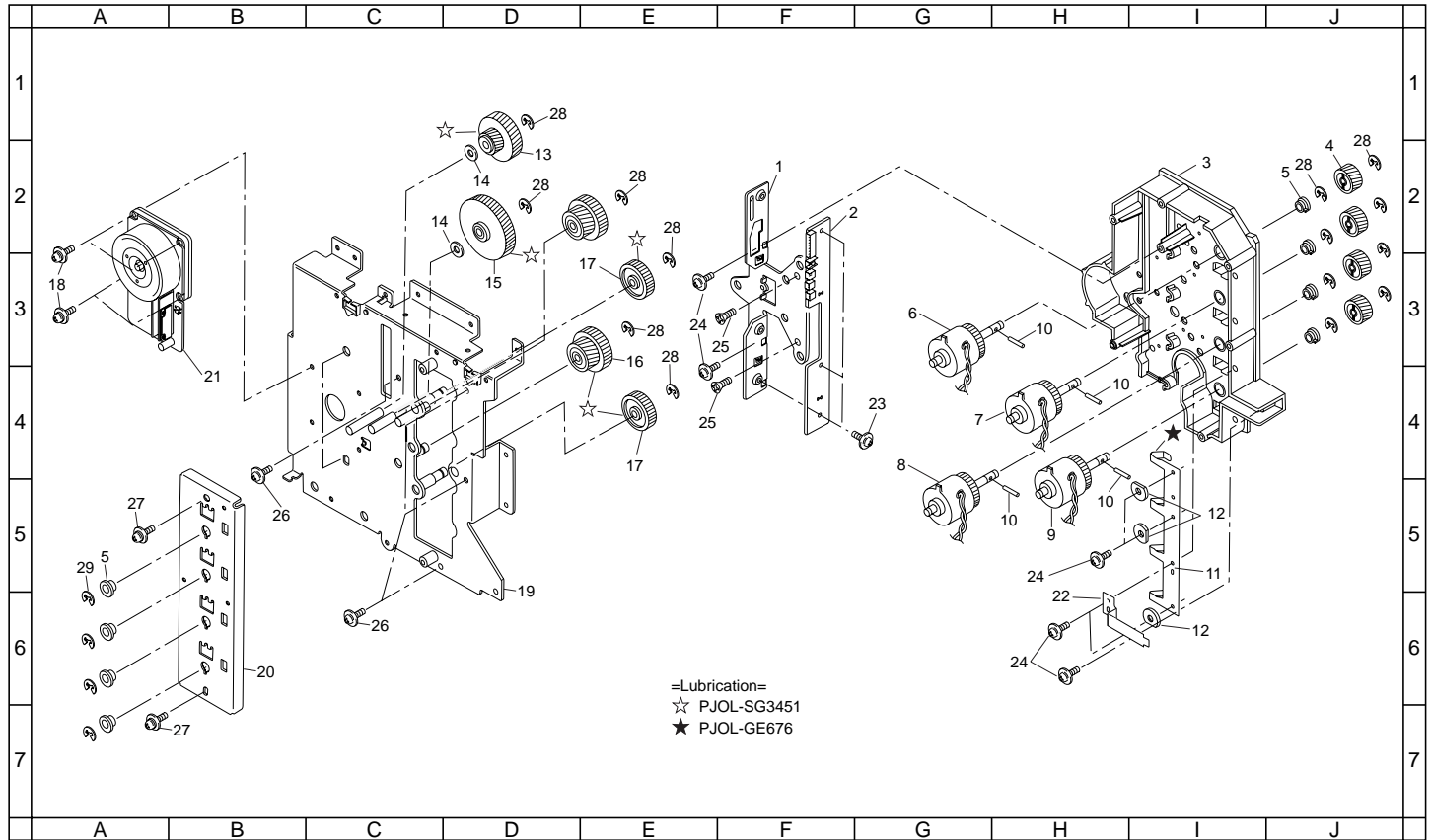


FIG. 12 TONER CARTRIDGE DRIVE UNIT

Ref. No.	Part. No.	Description	QTY	FS-5900C				
				KEE	KEU	KEF	KEA	KEI
1	5SNSP0013083	TONER SENSOR BRACKET	1	Yes	Yes	Yes	Yes	Yes
2	5SNSA580CE26	TONER SENSOR BOARD	1	Yes	Yes	Yes	Yes	Yes
3	5SNSP0013084	DRIVE UNIT CASE	1	No	No	No	No	No
3		DRIVE UNIT CASE	1	Yes	Yes	Yes	Yes	Yes
4	5SNSP0012510	CLUTCH DRIVE GEAR	4	Yes	Yes	Yes	Yes	Yes
5	5SNSP0013085	BUSHING	8	Yes	Yes	Yes	Yes	Yes
6	5SNSP0012511	CLUTCH ASSEMBLY.B	1	Yes	Yes	Yes	Yes	Yes
7	5SNSP0012512	CLUTCH ASSEMBLY.C	1	Yes	Yes	Yes	Yes	Yes
8	5SNSP0012513	CLUTCH ASSEMBLY.M	1	Yes	Yes	Yes	Yes	Yes
9	5SNSP0012514	CLUTCH ASSEMBLY.Y	1	Yes	Yes	Yes	Yes	Yes
10	5SNSP0013086	PIN	4	Yes	Yes	Yes	Yes	Yes
11	5SNSP0013087	BIAS PLATE	1	Yes	Yes	Yes	Yes	Yes
12	5SNSP0013088	WASHER	3	No	No	No	No	No
12		WASHER	3	Yes	Yes	Yes	Yes	Yes
13	5SNSP0012528	DRIVE GEAR	1	Yes	Yes	Yes	Yes	Yes
14	5SNSP0013089	WASHER	1	No	No	No	No	No
14	5SNSP0013384	WASHER	1	Yes	Yes	Yes	Yes	Yes
15	5SNSP0012540	GEAR A	1	Yes	Yes	Yes	Yes	Yes
16	5SNSP0012541	GEAR B	2	Yes	Yes	Yes	Yes	Yes
17	5SNSP0012542	GEAR C	2	Yes	Yes	Yes	Yes	Yes
18	5SNSP0013198	SCREW 3 x 10	4	Yes	Yes	Yes	Yes	Yes
19	5SNSP0013090	DRIVE UNIT BRACKET	1	No	No	No	No	No
19	5SNSP0013440	DRIVE UNIT BRACKET	1	Yes	Yes	Yes	Yes	Yes
20	5SNSP0013091	CLUTCH BRACKET	1	Yes	Yes	Yes	Yes	Yes
21	5SNSP0012515	TC DRIVE MOTOR	1	No	No	No	No	No
21	5SNSP0013350	TC DRIVE MOTOR	1	Yes	Yes	Yes	Yes	Yes
22	5SNSP0013092	BIAS PLATE	1	Yes	Yes	Yes	Yes	Yes
23	5SNSP0013190	SCREW 3 x 6	3	Yes	Yes	Yes	Yes	Yes
24	5SNSP0012550	SCREW 3 x 8	7	Yes	Yes	Yes	Yes	Yes
25	5SNSP0013208	SCREW 3 x 10	2	Yes	Yes	Yes	Yes	Yes
26	5SNSP0013209	SCREW 3 x 10	6	No	No	No	No	No
26	5SNSP0013184	SCREW 3 x 10	6	Yes	Yes	Yes	Yes	Yes
27	5SNSP0013203	SCREW 3 x 8	2	Yes	Yes	Yes	Yes	Yes
28	5SNSP0013191	E-RING	14	Yes	Yes	Yes	Yes	Yes
29	5SNSP0012560	E-RING	4	Yes	Yes	Yes	Yes	Yes

FIG. 13 MECHANICAL BASE I

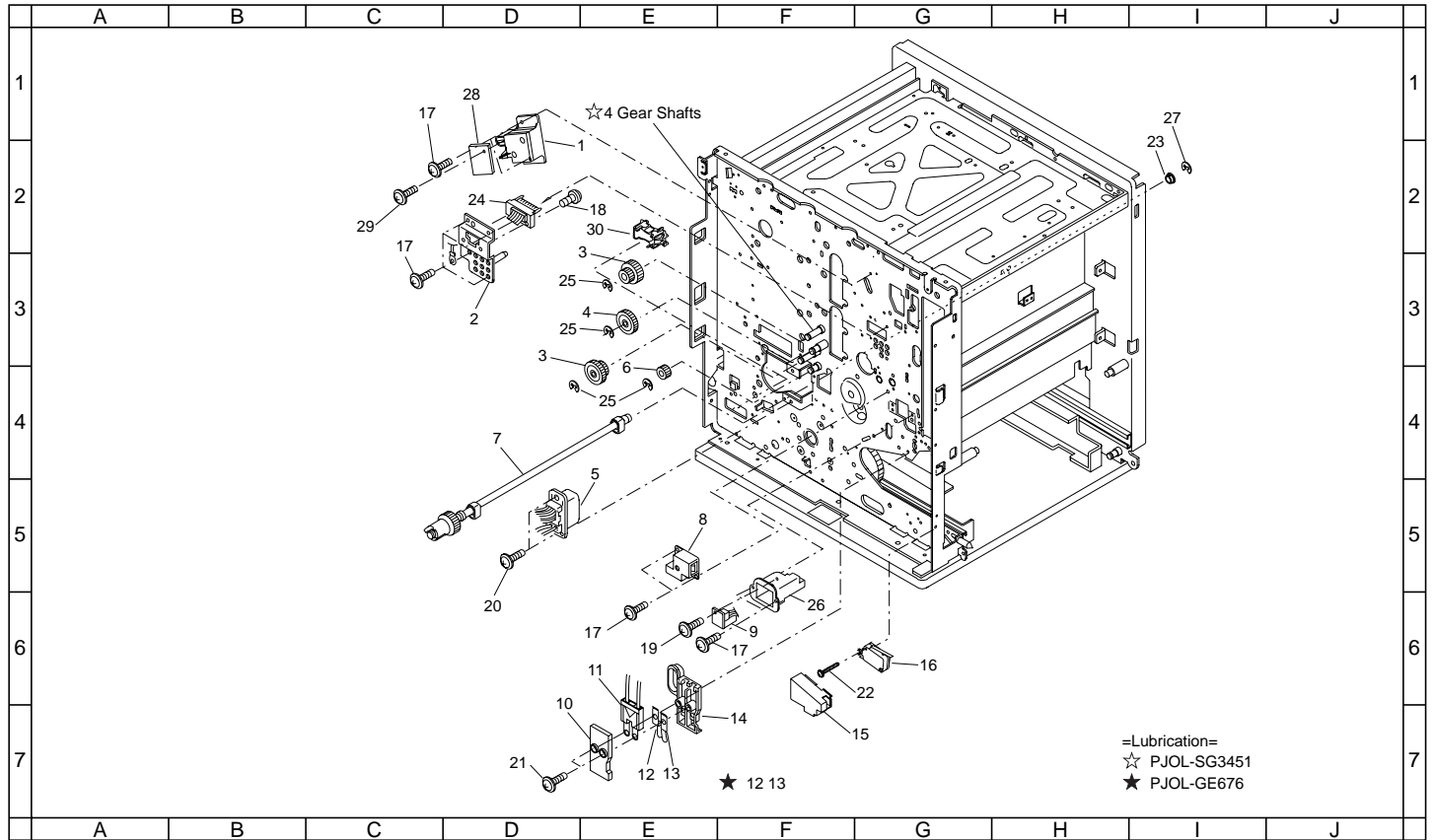


FIG. 13 MECHANICAL BASE I

Ref. No.	Part. No.	Description	QTY	FS-5900C				
				KEE	KEU	KEF	KEA	KEI
1	5SNSA580CE20	HV TERMINAL UNIT	1	No	No	No	No	No
1	5SNSP0013408	HV TERMINAL UNIT	1	Yes	Yes	Yes	Yes	Yes
2	5SNSP0013093	DRAWER HOLDER	1	No	No	No	No	No
2	5SNSP0013442	DRAWER HOLDER	1	Yes	Yes	Yes	Yes	Yes
3	5SNSP0013094	GEAR	2	Yes	Yes	Yes	Yes	Yes
4	5SNSP0012542	GEAR C	1	Yes	Yes	Yes	Yes	Yes
5	5SNSP0012543	FU C CONNECTOR	1	Yes	Yes	Yes	Yes	Yes
6	5SNSP0013095	GEAR	1	Yes	Yes	Yes	Yes	Yes
7	5SNSA580CE57	C CLUTCH/SHAFT ASSY	1	Yes	Yes	Yes	Yes	Yes
8	5SNSA580CE58	FTR BIAS TERMINAL UT	1	Yes	Yes	Yes	Yes	Yes
9	5SNSA580CE15	HOME SENSOR BOARD	1	Yes	Yes	Yes	Yes	Yes
10	5SNSP0013096	TERMINAL COVER	1	No	No	No	No	No
10		TERMINAL COVER	1	Yes	Yes	Yes	Yes	Yes
11	5SNSP0013097	TERMINAL	2	Yes	Yes	Yes	Yes	Yes
12	5SNSP0013098	TERMAINAL	1	Yes	Yes	Yes	Yes	Yes
13	5SNSP0013099	TERMAINAL	1	Yes	Yes	Yes	Yes	Yes
14	5SNSP0013100	TERMAINAL COVER	1	Yes	Yes	Yes	Yes	Yes
15	5SNSP0013101	SWITCH COVER	1	Yes	Yes	Yes	Yes	Yes
16	5SNSP0012529	SWITCH	1	Yes	Yes	Yes	Yes	Yes
17	5SNSP0013190	SCREW 3 x 6	10	Yes	Yes	Yes	Yes	Yes
18	5SNSP0012581	SCREW3X8	2	Yes	Yes	Yes	Yes	Yes
19	5SNSP0013181	SCREW 3 x 6	1	Yes	Yes	Yes	Yes	Yes
20	5SNSP0013211	SCREW 4 x 10	2	Yes	Yes	Yes	Yes	Yes
21	5SNSP0013212	SCREW 3 x 16	2	Yes	Yes	Yes	Yes	Yes
22	5SNSP0013213	SCREW 3 x 16	1	Yes	Yes	Yes	Yes	Yes
23	5SNSP0013102	BUSHING	1	No	No	No	No	No
23	5SNSP0013317	BUSHING	1	Yes	Yes	Yes	Yes	Yes
24	5SNSP0012544	IU C CONNECTOR	1	No	No	No	No	No
24		IU C CONNECTOR	1	Yes	Yes	Yes	Yes	Yes
25	5SNSP0013191	E-RING	4	Yes	Yes	Yes	Yes	Yes
26	5SNSP0013103	HOME SENSOR CASE	1	Yes	Yes	Yes	Yes	Yes

FIG. 14 MECHANICAL BASE II

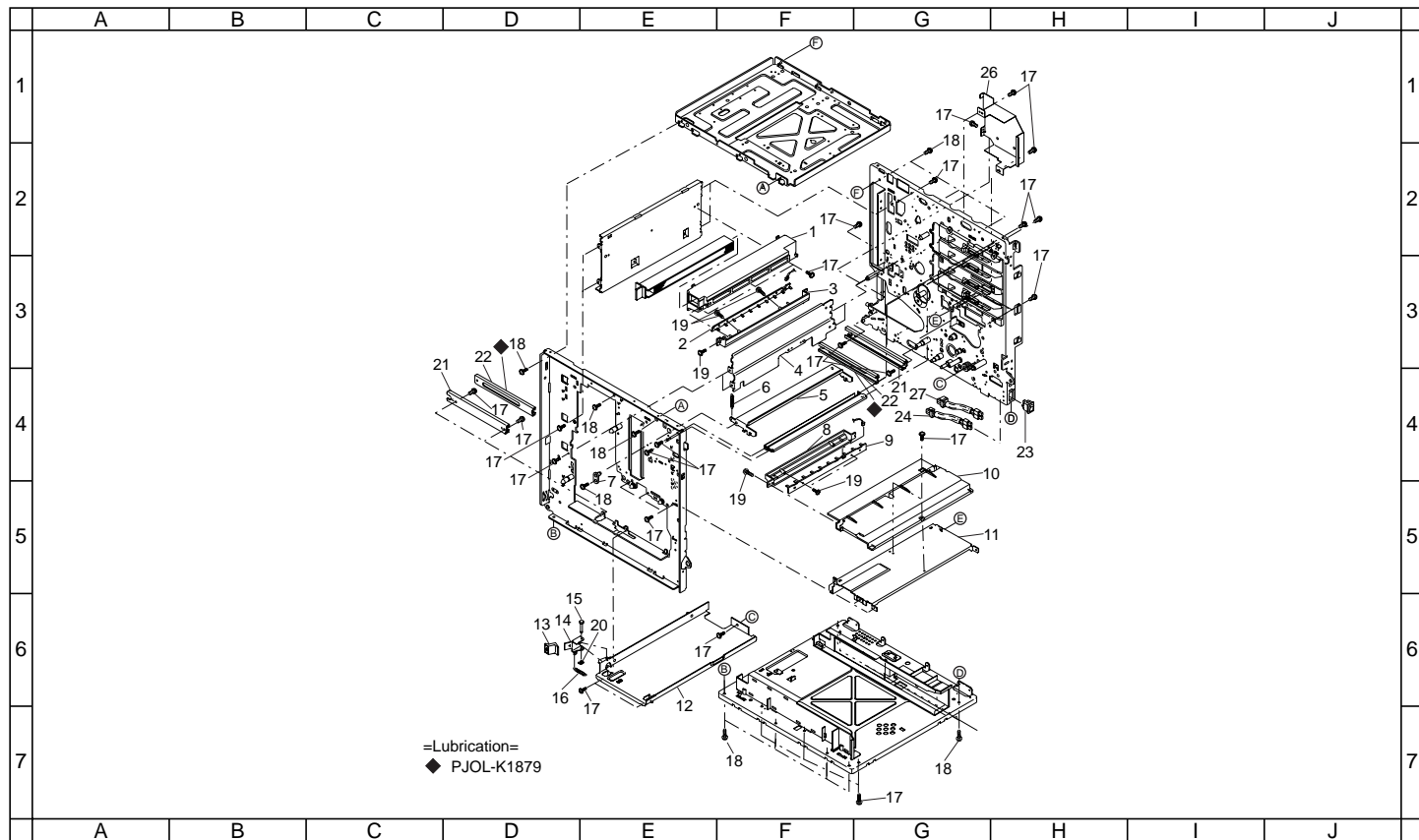


FIG. 14 MECHANICAL BASE II

Ref. No.	Part. No.	Description	QTY	FS-5900C				
				KEE	KEU	KEF	KEA	KEI
1	5SNSP0013104	OZONE FILTER HOLDER	1	Yes	Yes	Yes	Yes	Yes
2	5SNSA580CE28	Pre-exposure Eraser Board	1	Yes	Yes	Yes	Yes	Yes
3	5SNSP0013105	ERASER BOARD COVER	1	Yes	Yes	Yes	Yes	Yes
4	5SNSP0013106	PROCES UNIT G RAIL	1	No	No	No	No	No
4	5SNSP0013402	PROCES UNIT G RAIL	1	Yes	Yes	Yes	Yes	Yes
5	5SNSP0013107	LOCK LEVER	1	No	No	No	No	No
6	5SNSP0013108	LOCK LEVER SPRING	1	No	No	No	No	No
7	5SNSP0013109	LOCK LEVER SUPPORT	1	No	No	No	No	No
8	5SNSP0013110	P-T BOARD COVER	1	No	No	No	No	No
9	5SNSA580CE16	PRE-TRANSFER BOARD	1	No	No	No	No	No
10	5SNSP0013111	FRAME	1	No	No	No	No	No
11	5SNSP0013112	FRAME	1	No	No	No	No	No
11	5SNSP0013401	FRAME	1	Yes	Yes	Yes	Yes	Yes
12	5SNSP0013113	FUSER GUIDE FRAME	1	No	No	No	No	No
12	5SNSP0013434	FUSER GUIDE FRAME	1	No	No	No	No	No
13	5SNSP0013114	KNOB	1	Yes	Yes	Yes	Yes	Yes
14	5SNSP0013115	STOPPER LEVER	1	Yes	Yes	Yes	Yes	Yes
15	5SNSP0013116	STOPPER LEVER SHAFT	1	Yes	Yes	Yes	Yes	Yes
16	5SNSP0013117	SPRING	1	Yes	Yes	Yes	Yes	Yes
17	5SNSP0013190	SCREW 3 x 6	26	Yes	Yes	Yes	Yes	Yes
18	5SNSP0013214	SCREW 4 x 8	14	Yes	Yes	Yes	Yes	Yes
19	5SNSP0012550	SCREW 3 x 6	6	Yes	Yes	Yes	Yes	Yes
20	5SNSP0013186	E-RING	1	Yes	Yes	Yes	Yes	Yes
21	5SNSP0013118	RAIL SUPPORT	2	Yes	Yes	Yes	Yes	Yes
22	5SNSP0013119	SIDE RAIL PLATE	2	Yes	Yes	Yes	Yes	Yes
23	5SNSP0012531	POWER SWITCH	1	Yes	Yes	Yes	Yes	Yes
24	5SNSP0013120	POWER SWITCH CABLE	1	No	No	No	No	No
24	5SNSP0013365	POWER SWITCH CABLE	1	Yes	Yes	Yes	Yes	Yes

FIG. 15 MECHANICAL BASE III

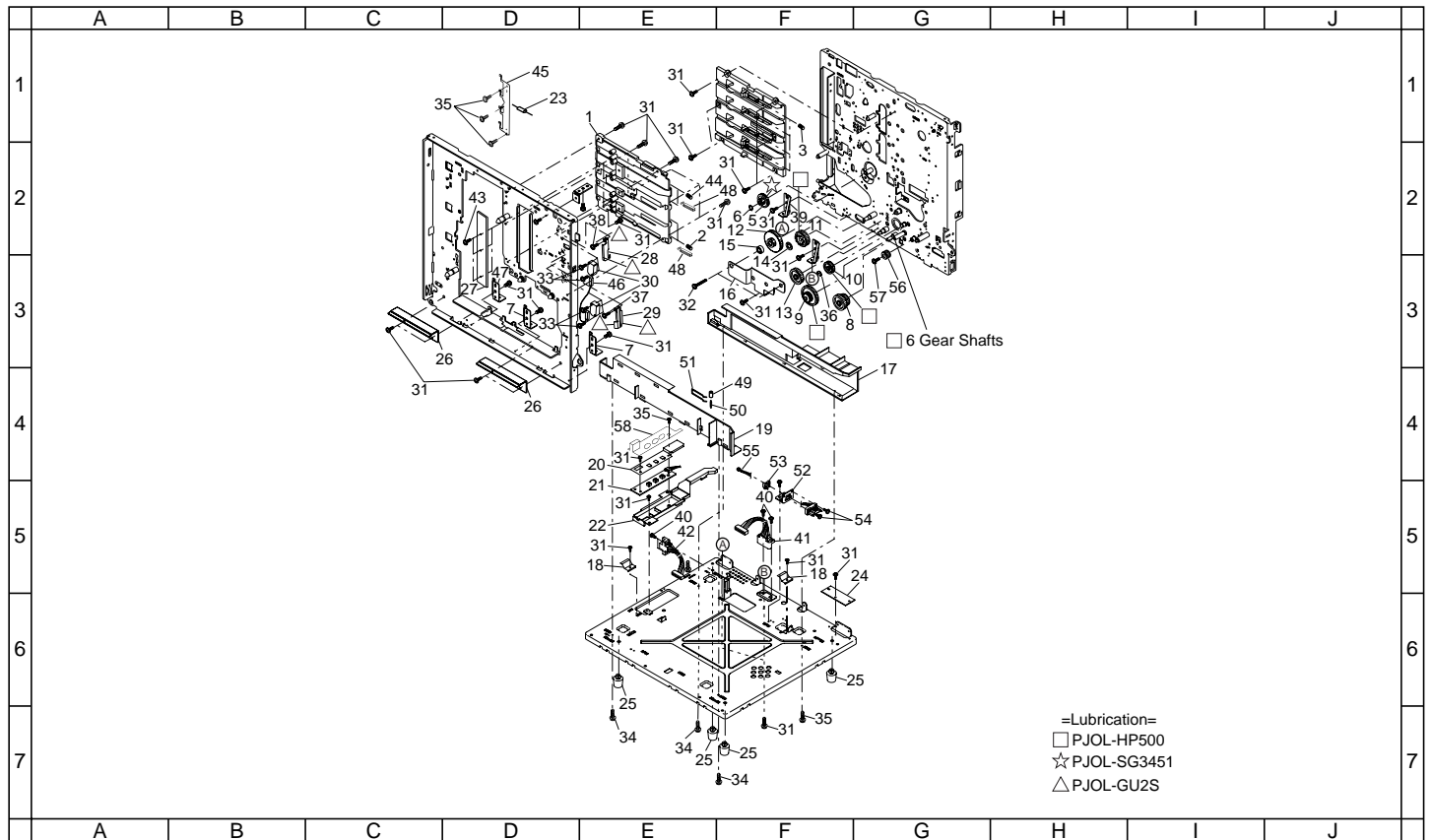


FIG. 15 MECHANICAL BASE III

Ref. No.	Part. No.	Description	QTY	FS-5900C				
				KEE	KEU	KEF	KEA	KEI
1	5SNSP0012516	TC GUIDE RAIL	1	No	No	No	No	No
1	5SNSP0013341	TC GUIDE RAIL	1	Yes	Yes	Yes	Yes	Yes
2	5SNSP0013121	SPRING	3	Yes	Yes	Yes	Yes	Yes
3	5SNSP0013122	SPRING	4	Yes	Yes	Yes	Yes	Yes
4	5SNSA580CE11	TC GUIDE RAIL ASS'Y	1	No	No	No	No	No
4	5SNSP0013441	TC GUIDE RAIL ASS'Y	1	Yes	Yes	Yes	Yes	Yes
5	5SNSP0013123	GEAR	1	Yes	Yes	Yes	Yes	Yes
6	5SNSP0013124	WASHER	1	Yes	Yes	Yes	Yes	Yes
7	5SNSP0013125	CORNER BRACKET	2	Yes	Yes	Yes	Yes	Yes
8	5SNSP0013126	GEAR	1	Yes	Yes	Yes	Yes	Yes
9	5SNSP0013127	GEAR	1	Yes	Yes	Yes	Yes	Yes
10	5SNSP0013128	GEAR	1	Yes	Yes	Yes	Yes	Yes
11	5SNSP0013129	GEAR	1	Yes	Yes	Yes	Yes	Yes
12	5SNSP0013130	GEAR	1	Yes	Yes	Yes	Yes	Yes
13	5SNSP0013131	GEAR	1	Yes	Yes	Yes	Yes	Yes
14	5SNSP0013132	WASHER	1	Yes	Yes	Yes	Yes	Yes
15	5SNSP0013133	SPACER	1	Yes	Yes	Yes	Yes	Yes
16	5SNSP0013134	GEAR BRACKET	1	No	No	No	No	No
16	5SNSP0013380	GEAR BRACKET	1	Yes	Yes	Yes	Yes	Yes
17	5SNSP0013135	CASSETTE GUIDE	1	No	No	No	No	No
17	5SNSP0013371	CASSETTE GUIDE	1	Yes	Yes	Yes	Yes	Yes
18	5SNSP0013136	CASSETTE LOCK SPRING	2	Yes	Yes	Yes	Yes	Yes
19	5SNSP0013137	CASSETTE GUIDE	1	No	No	No	No	No
19	5SNSP0013370	CASSETTE GUIDE	1	Yes	Yes	Yes	Yes	Yes
20	5SNSP0013138	CDS BOARD COVER	1	No	No	No	No	No
20	5SNSP0013345	CDS BOARD COVER	1	Yes	Yes	Yes	Yes	Yes
21	5SNSA580CE22	CAS D SENSOR BOARD	1	No	No	No	No	No
21	5SNSP0013420	TRAY SENSOR BOARD	1	Yes	Yes	Yes	Yes	Yes
22	5SNSP0013139	CDS BOARD CASE	1	Yes	Yes	Yes	Yes	Yes
23	5SNSP0013140	RESISTOR	1	Yes	Yes	Yes	Yes	Yes
24	5SNSP0013141	PLATE	1	Yes	Yes	Yes	Yes	Yes
25	5SNSP0013142	RUBBER FOOT	4	Yes	Yes	Yes	Yes	Yes
26	5SNSP0013143	PLATE	2	Yes	Yes	Yes	Yes	Yes
27	5SNSA580CE23	TC SENSOR BOARD	1	Yes	Yes	Yes	Yes	Yes
28	5SNSP0012545	INTERLOCK SW ARM A	1	Yes	Yes	Yes	Yes	Yes
29	5SNSP0012546	INTERLOCK SW ARM B	1	Yes	Yes	Yes	Yes	Yes
30	5SNSP0012547	INTERLOCK SWITCH	2	Yes	Yes	Yes	Yes	Yes
31	5SNSP0013190	SCREW 3 x 6	22	Yes	Yes	Yes	Yes	Yes
32	5SNSP0013215	SCREW 3 x 10	1	Yes	Yes	Yes	Yes	Yes
33	5SNSP0013216	SCREW 3 x 16	4	No	No	No	No	No

Ref. No.	Part. No.	Description	QTY	FS-5900C				
				KEE	KEU	KEF	KEA	KEI
33		SCREW 3 x 16	4	Yes	Yes	Yes	Yes	Yes
34	5SNSP0012551	SCREW 3 x 12	4	Yes	Yes	Yes	Yes	Yes
35	5SNSP0012550	SCREW 3 x 8	4	Yes	Yes	Yes	Yes	Yes
36	5SNSP0013191	E-RING	1	Yes	Yes	Yes	Yes	Yes
37	5SNSP0013144	SCREW	1	Yes	Yes	Yes	Yes	Yes
38	5SNSP0013145	SCREW	1	Yes	Yes	Yes	Yes	Yes
39	5SNSP0013217	SCREW 3 x 10	1	No	No	No	No	No
39	5SNSP0013383	CoRNER BRACKET	1	Yes	Yes	Yes	Yes	Yes
40	5SNSP0013146	SCREW	4	Yes	Yes	Yes	Yes	Yes
41	5SNSP0013147	OSFC CONNECTOR	1	Yes	Yes	Yes	Yes	Yes
42	5SNSP0013148	PFC CONNECTOR	1	Yes	Yes	Yes	Yes	Yes
43	5SNSP0013184	SCREW 3 x 10	3	Yes	Yes	Yes	Yes	Yes
44	5SNSP0013219	SPRING	1	No	No	No	No	No
44		SPRING	1	Yes	Yes	Yes	Yes	Yes
45	5SNSP0013149	BIAS PLATE	1	Yes	Yes	Yes	Yes	Yes

FIG. 16 MEDIA TRAY

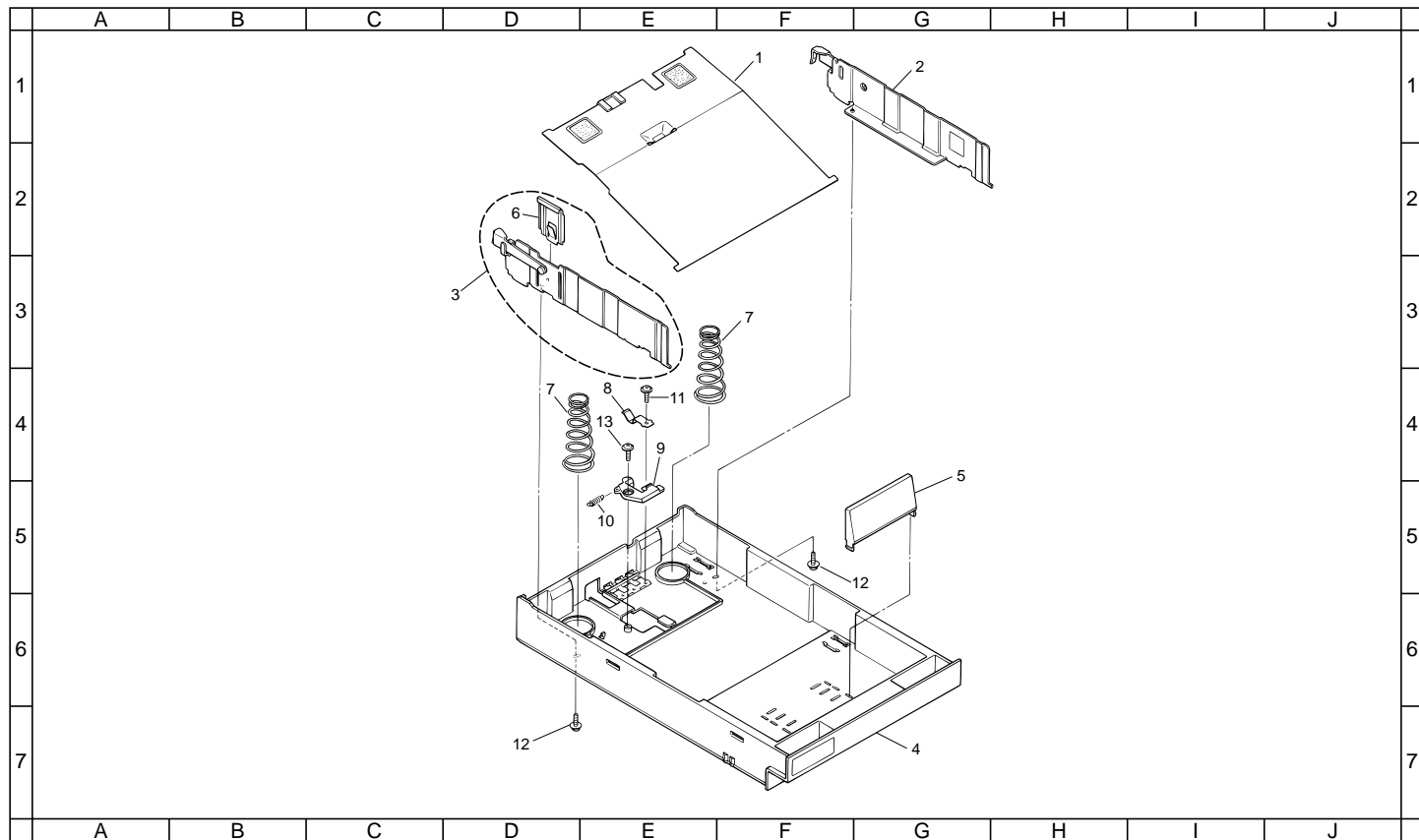


FIG. 16 MEDIA TRAY

Ref. No.	Part. No.	Description	QTY	FS-5900C				
				KEE	KEU	KEF	KEA	KEI
1	5SNSA580CE59	BIAS PLATE ASSEMBLY	1	Yes	Yes	Yes	Yes	Yes
2	5SNSP0012532	PAPER GUIDE (R)	1	Yes	Yes	Yes	Yes	Yes
3	5SNSP0012533	PAPER GUIDE (L)	1	Yes	Yes	Yes	Yes	Yes
4	5SNSP0013150	PAPER CASSETTE BASE	1	No	No	No	No	No
4	5SNSP0013447	PAPER CASSETTE BASE	1	Yes	Yes	Yes	Yes	Yes
5	5SNSP0012569	PAPER END PLATE	1	Yes	Yes	Yes	Yes	Yes
6	5SNSP0012534	SIDE PRESSURE SPRING	1	Yes	Yes	Yes	Yes	Yes
7	5SNSP0013151	FRICTION SPRING	2	Yes	Yes	Yes	Yes	Yes
8	5SNSP0013152	C SWITCH SPRING	1	Yes	Yes	Yes	Yes	Yes
9	5SNSP0013153	BASE PLATE HOLDER AR	1	Yes	Yes	Yes	Yes	Yes
10	5SNSP0013154	HOLDER ARM SPRING	1	Yes	Yes	Yes	Yes	Yes
11	5SNSP0013181	SCREW 3 x 6	1	Yes	Yes	Yes	Yes	Yes
12	5SNSP0013179	SCREW 3 x 6	2	Yes	Yes	Yes	Yes	Yes
13	5SNSP0012562	SCREW3X8	1	yes	Yes	Yes	Yes	Yes

FIG. 17 FUSER UNIT

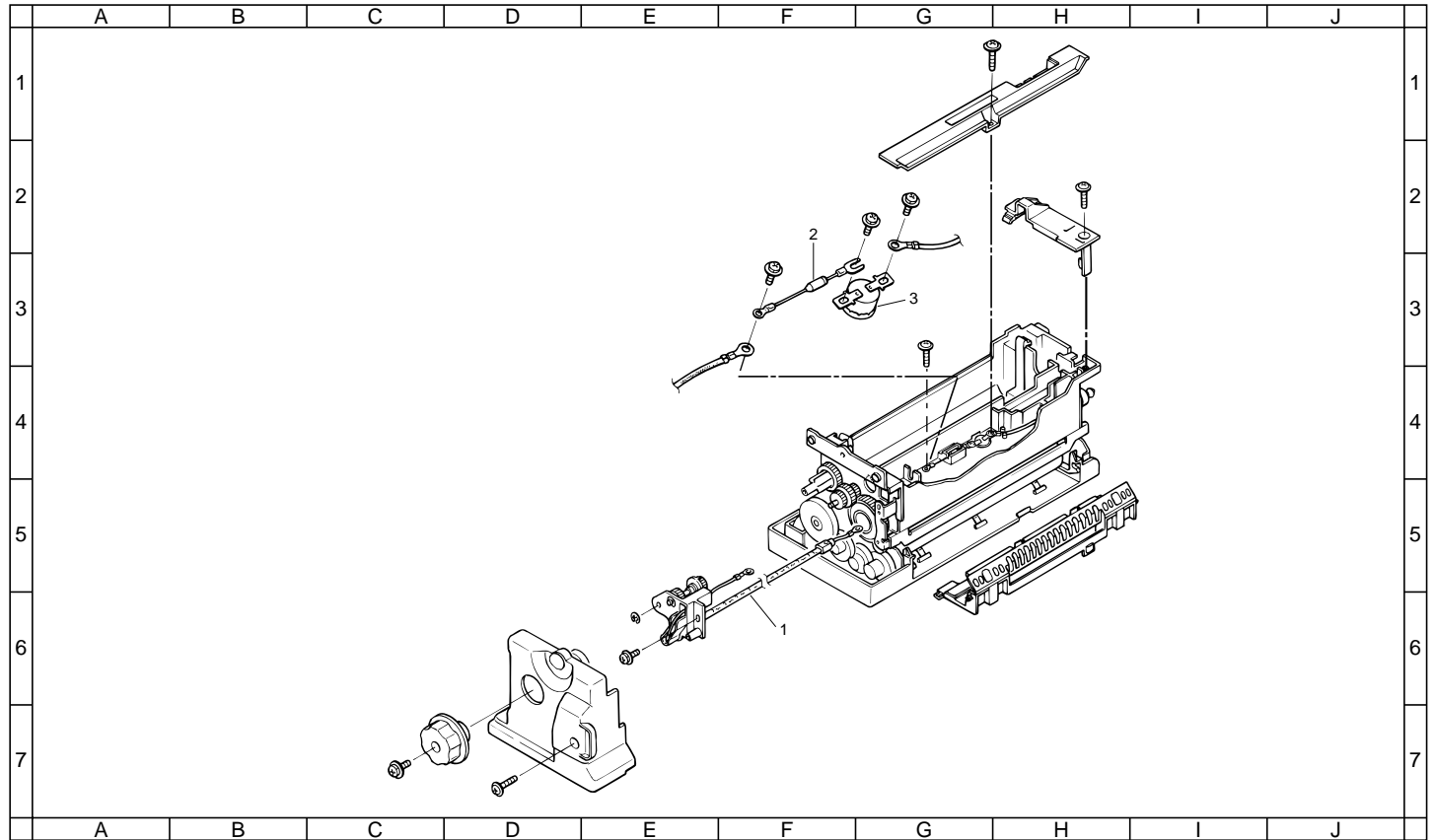


FIG. 17 FUSER UNIT

Ref. No.	Part. No.	Description	QTY	FS-5900C				
				KEE	KEU	KEF	KEA	KEI
1	5SNSP0012582	HEATER LAMP (E)	1	No	No	No	No	No
1	5SNSP0012537	HEATER LAMP (U)	1	No	No	No	No	No
1	5SNSP0013308	HEATER LAMP (E)	1	Yes	Yes	Yes	Yes	Yes
2	5SNSP0012535	THERMAL FUSE	1	Yes	Yes	Yes	Yes	Yes
3	5SNSP0012536	THERMOSTAT	1	Yes	Yes	Yes	Yes	Yes