



IMPRIMANTE PAGE

FS-600



NOMENCLATURE

11-02-1999

FS-600 Pièces détachées

Table des matières

Capots (Fig.1).....	3
Structure (Fig.2).....	5
Mécanique (Fig.3).....	8
Contrôleur (Fig.4).....	10
Unité de fusion (Fig.5).....	12

Introduction

Les figures qui suivent représentent l'assemblage de l'imprimante ou des options, par sous-ensembles.

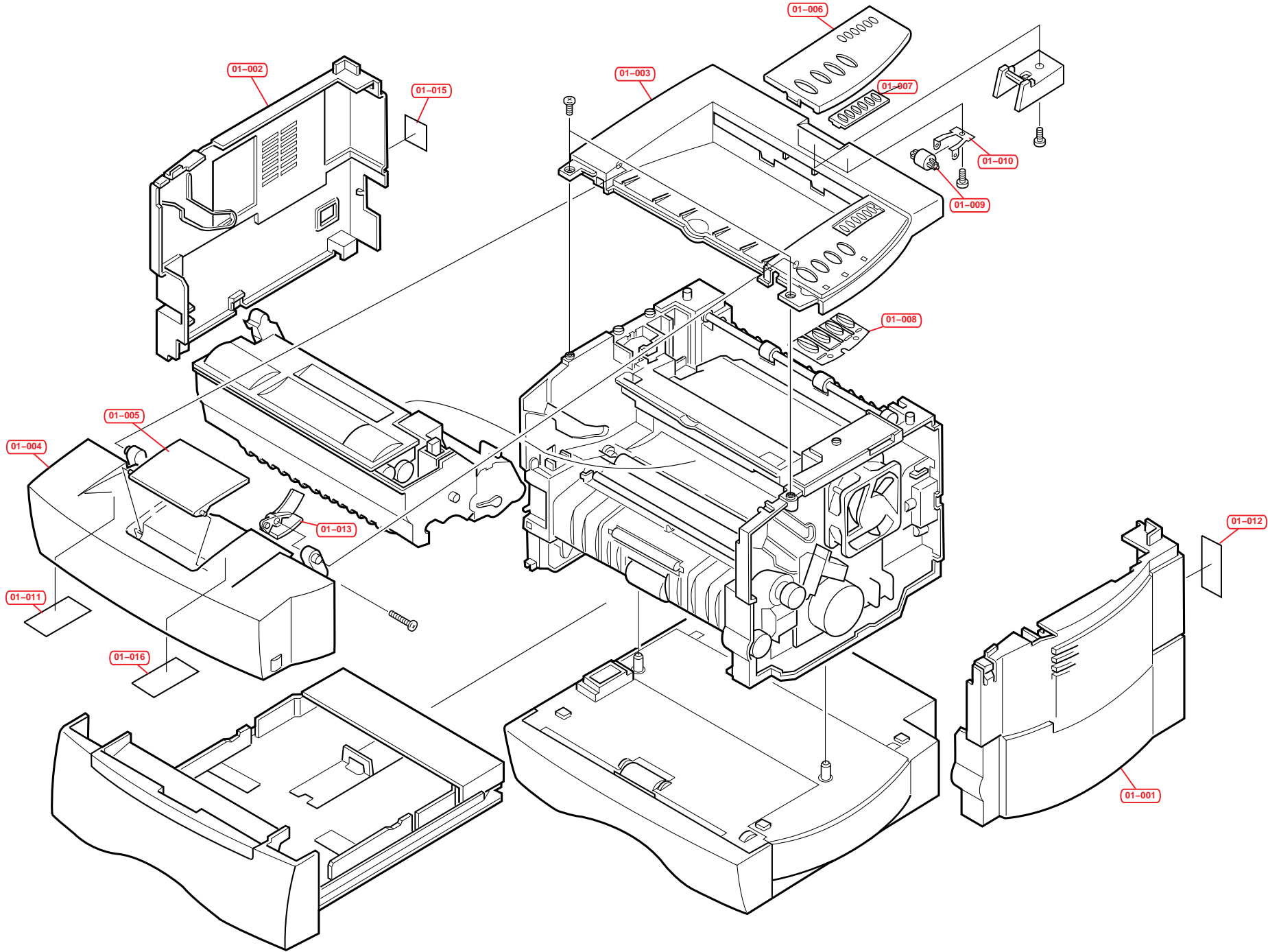
Les informations suivantes sont indiquées après chaque pièce :

N°	N° de la pièce dans l'éclaté
Référence.....	Référence de la pièce
Description	Description de la pièce (en anglais)

Seules les pièces en caractères GRAS peuvent être commandées.

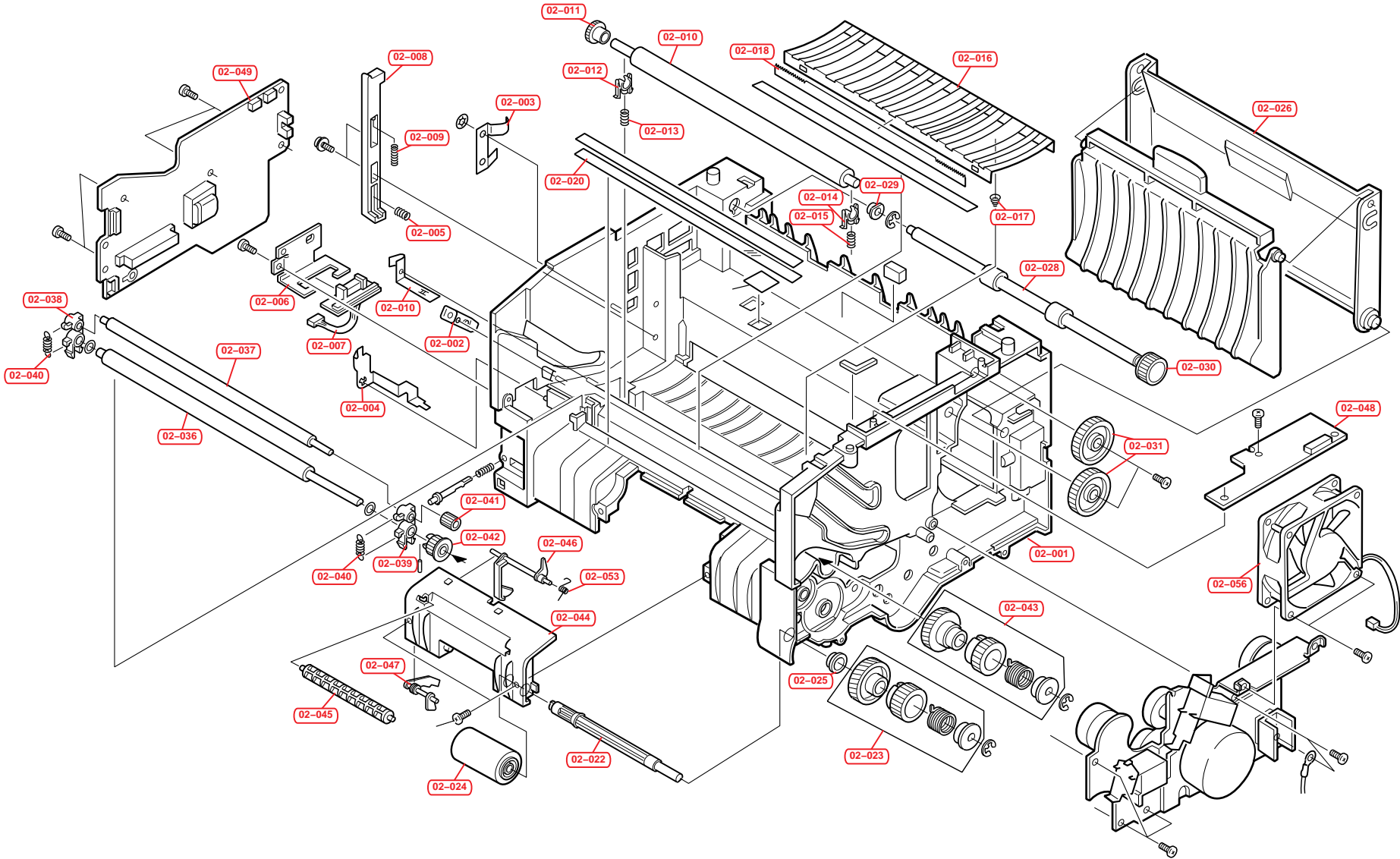
Toutes les autres pièces sont mentionnées à titre indicatif et ne sont pas disponibles.

Fig. 1 – Capots



N°	Référence	Description
01-000	PU-16	Process Unit 5PLPZXPAEKE
01-000	LK-16	Scanner Unit 5PLPZYVAPKE
01-001	VB886CH006	Cover Right
01-002	VB885CH001	Cover Left
01-003	VB886CH005	Cover Top
01-004	VB876CH001	Lid Top
01-004	VB876CH002	Lid Top R
01-005	VX661SH003	Tray Exit FD
01-006	VX762SH004	Panel Top English
01-006	VX762SH008	Panel Top French
01-007	VX621SC001	Cover LED
01-008	VX662SB018	Button
01-009	VM273DB003	Roller Pinch
01-010	MX322LD018	BKT Pulley FD
01-011	VVL771WN16	Label Diagram
01-012		Ser No Plate (U)
01-013	VX322SH002	Lever Shutter
01-015		Label Ser Caution
01-016	VVL771WN17	Label Diagram B
01-018	PC17-A4	PC17 Paper Cassette
09-002	VQ711GX002	Mirror Exit
09-003	VS721GC001	Glass Exit
09-004	VX711SB001	Shutter Scan
09-005	MW161LD032	Spring Shutter
09-009	VX711SB001	Lever Interlock

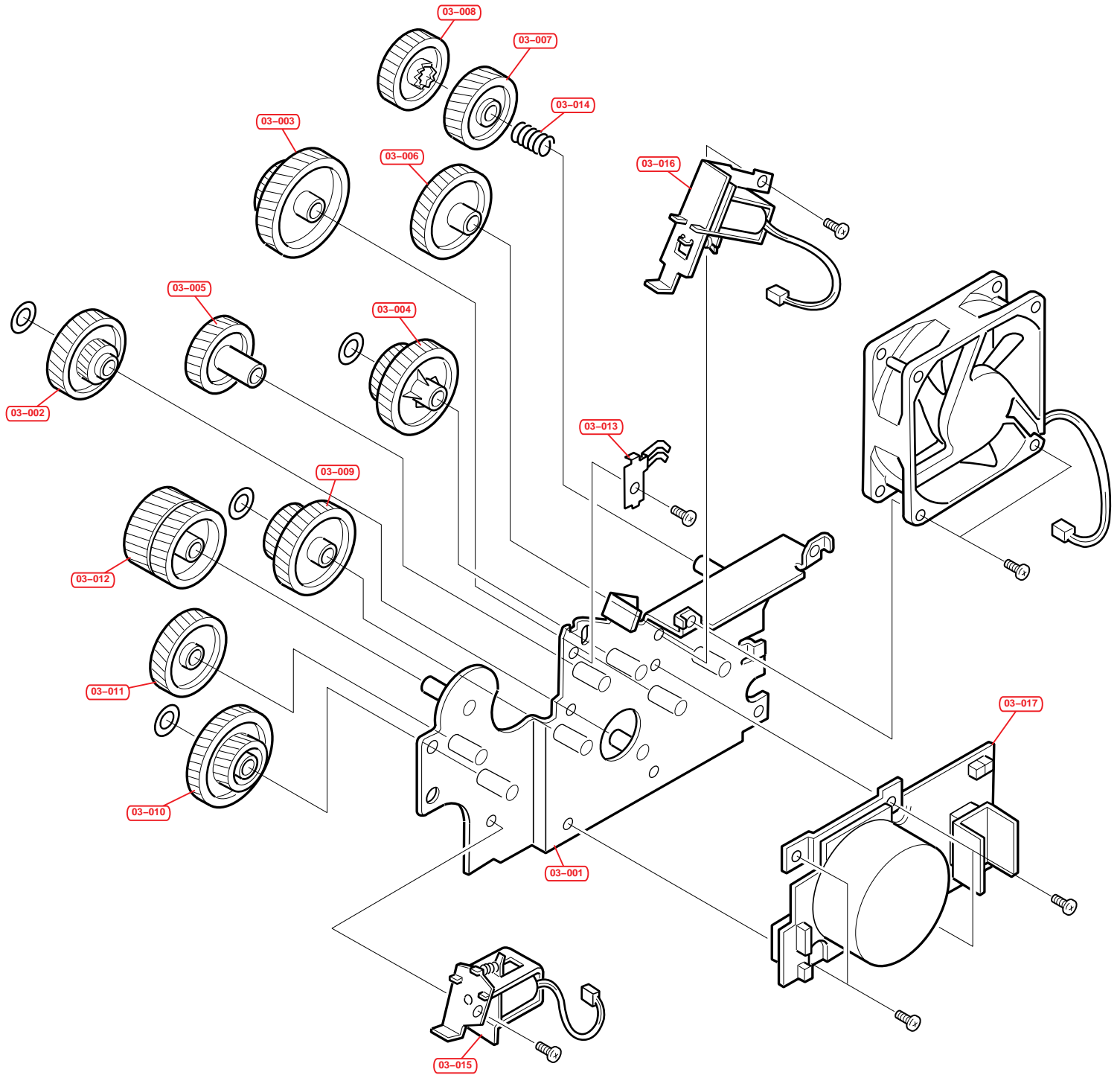
Fig.2 – Structure



N°	Référence	Description
02-001	VB887CB001	Frame Base
02-002	MX421LD014	Contact Bias
02-003	MX431LD008	Contact Main
02-004	MX433LD006	Contact Earth Regist
02-005	MX522LD011	Contact Transfer
02-006	ML543SL002	Plate Connector DLP
02-007	ACCNQG3GEA	Conn Cord S02203
02-008	VQ622SB001	Rod Interlock
02-009	MW261LD024	Spring Interlock
02-010	MT876SN054	Roller Transfer
02-011	VG127DB035	Gear TC Z18
02-012	VX221DB010	Bush Transfer R
02-013	MW251LD030	Spring Transfer L
02-014	VX221DW004	Bush Transfer L
02-015	MW251SX002	Spring Transfer R
02-016	MC862SD004	Plate Earth Guide
02-017	MW261LD025	Spring Earth
02-018	VS825FF007	Discharger
02-020	VS722KN001	Sheet Regist
02-022	MT766SN006	Shaft Feed
02-023	AVCLTCH011	Clutch Feed
02-024	AVROLL*029	Roller Feed Assy
02-025	VM122DB003	Bush Pom
02-026	AVCOVER197	Cover Rear
02-028	MT874LD001	Roller Exit
02-029	VM176DW001	Bush Exit
02-030	VG137DW003	Gear Exit Z22
02-031	VG148DN035	Gear Z38
02-032	ACCNQHOGEA	Conn Cord S02210 Polygon Motor
02-033	ACCNQH5GEA	Conn Cord S02210 Main Motor
02-034	ACCNQG2GEA	Conn Cord S02210 Panel
02-035	ACCNQG9GEA	Conn Cord S02210 Laser
02-036	MT876SN055	Roller Regist Low
02-037	MT865SN009	Roller Regist Up
02-038	VX221DB019	Bush Regist Left
02-039	VX221DW006	Bush Regist Right
02-040	MW261LD023	Spring Regist R
02-041	VG126DN013	Gear Regist Z16
02-042	VG148DN036	Gear Regist Z35
02-043	AVCLTCH012	Clutch Regist
02-044	VX766DB001	Holder Feed
02-045	VT763SB001	Pulley Feed
02-046	VX642SB010	Actuator Feed
02-047	VX442SB009	Actuator Empty
02-048	APRKBC1004AH	Keyboard PWB Assy

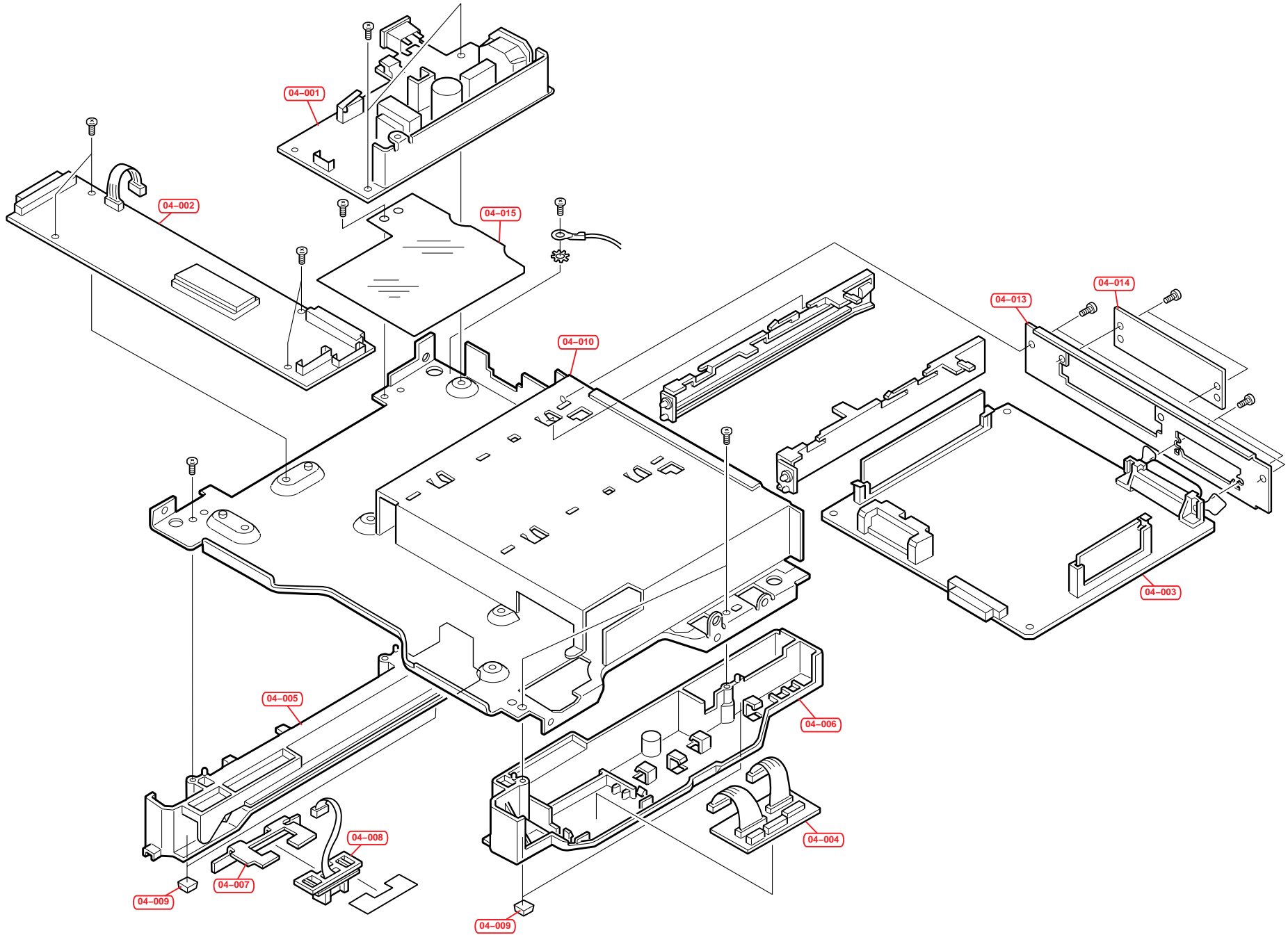
N°	Référence	Description
02-049	AXTR038VDA	Trans Assy
02-050	MW261LD029	Spring Interlock B
02-053	MW151LD003	Spring Actuator Reg
02-056	ZNF2401901*01	Fan Motor

Fig.3 – Mécanique



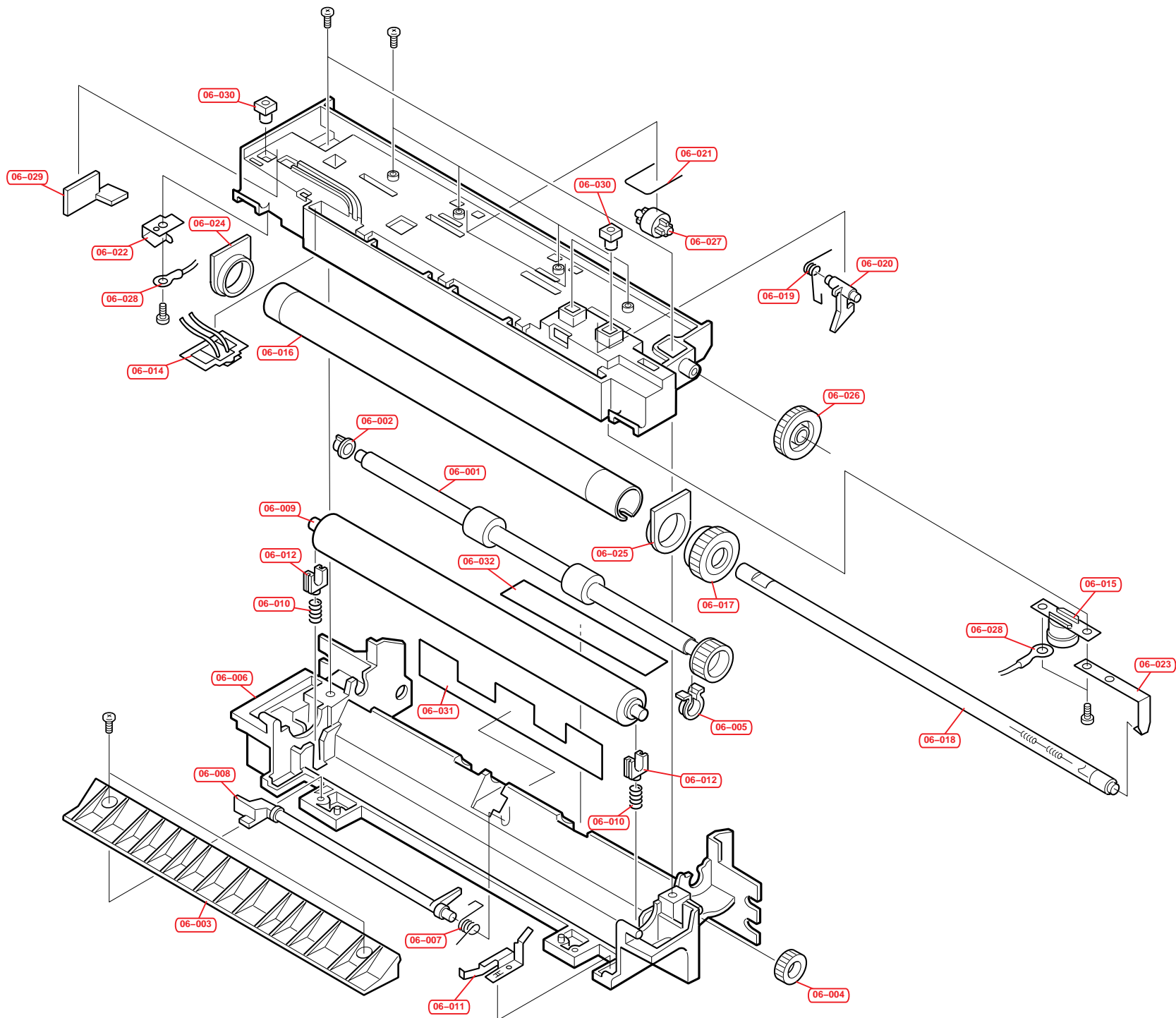
N°	Référence	Description
03-000	AYFS600E08	Drive Assy
03-001	MX776SD004	Plate Drive
03-002	VG168DN012	Gear Z64H-Z19H
03-003	VG159DN009	Gear Z49H-Z22H
03-004	VG158DN025	Gear Z42H-Z25H
03-005	VG148DN034	Gear Z31H
03-006	VG158DN026	Gear Z42H
03-007	VG148DN032	Gear Free Z32H
03-008	VG148DN033	Gear Free Z32S
03-009	VG168DN013	Gear Z66H-Z27H
03-010	VG158DN027	Gear Z45H-Z24H
03-011	VG148DN030	Gear Z39H
03-012	VG148DN031	Gear Z37H-Z36H
03-013	MX331LD002	Plate Earth Drum
03-014	MW211SZ001	Spring Free
03-015	ZSA2402410201	Free Solenoid Assy
03-016	ZSA2402410101	Regist Soleniod Assy
03-017	AXMT030GEA	Main Motor

Fig.4 – Contrôleur



N°	Référence	Description
04-000	APRMEG4019AH	DIMM PWB Assy KP-610A
04-001	AEZFS600E1	Switching Regulator 230v
04-002	APRCZC2003AH	Engine PWB Assy
04-003	APRLGC2016AH	Main PWB Assy
04-004	APRIFC2009AH	Relay PWB Assy
04-005	VB845SB002	Guide Cassette Left
04-006	VB864SB012	Guide Cassette Right
04-007	ML643SL004	Plate Connector PF
04-008	ACCNQG3GEA	Conn Cord Assy
04-009	VS228RB019	Foot
04-010	AVBOX**005	Box Controller Assy
04-013	MU841SD002	Panel Rear
04-014	MS636SD009	Plate Option
04-015	VS774CN001	Sheet PWB

Fig.5 – Unité de fusion



N°	Référence	Description
06-000	FK-16	Fuser Unit (5PLPZYTAPKE)
06-001	VT876CX001	Roller Exit
06-002	VM176DN016	Bush A
06-003	VX833KB001	Paper Chute Fuser
06-004	VG127DN047	Gear Idle Z18
06-005	VM162DN005	Bush FD R
06-006	VX875KB001	Frame Fuser Low
06-007	MW261LD017	Spring Actuator
06-008	VX721CB002	Actuator Fuser
06-009	MT876SN040	Roller Press
06-010	MW261LD022	Spring Fuser
06-011	MX323LD001	Plate Earth Fuser
06-012	VX221XN002	Bush Press
06-013	VB864KB003	Frame Fuser Up
06-014	AXTM010GEA	Thermistor Assy
06-015	YFFQ14001**01	Thermo Cut Out
06-016	MT877AX003	Roller Heat
06-017	VG138XN008	Gear Fuser Z30
06-018	ZPB2411920101	Lamp Heater 230v
06-018	ZPB1213820101	Lamp Heater 120v
06-018	ZPB1014520101	Lamp Heater 100v
06-019	MW261LD015	Spring Separator
06-020	VX222XN001	Separator
06-021	MW603LD001	Spring Exit
06-022	MX222LD016	Holder Lamp L
06-023	MX531RD002	Holder Lamp R
06-024	VM188XN013	Bush Heat L
06-025	VM288XN001	Bush Heat R
06-026	VG138DN037	Gear Fuser
06-027	VM273DB003	Roller Pinch
06-028	ACCNQH1GEA	Conn Cord S02211
06-028	ACCNQH2GEA	Conn Cord S02212
06-028	ACCNQH6GEA	Conn Cord
06-029	VX322KB002	Support Lamp
06-030	MK116SZ001	Nut Fuser
06-031	VS821KF021	Sheet Exit
06-032	VVL731WN14	Label Fuser Caution