



IMPRIMANTE PAGE

FS-6500 / FS-6500+



NOMENCLATURE

11-02-1999

FS-6500 / FS-6500+ Pièces détachées

Table des matières

Structure (Fig.1).....	3
Capots (Fig.2).....	5
Unité de développement (Fig.3).....	7
Unité de fusion (Fig.4).....	9
Contrôleur (Fig.5).....	11
Unité de LED du tambour (Fig.6).....	13
Entrainement papier (Fig.7).....	16
Mécanique (Fig.8).....	19
Bac papier (Fig.9).....	21

Introduction

Les figures qui suivent représentent l'assemblage de l'imprimante ou des options, par sous-ensembles.

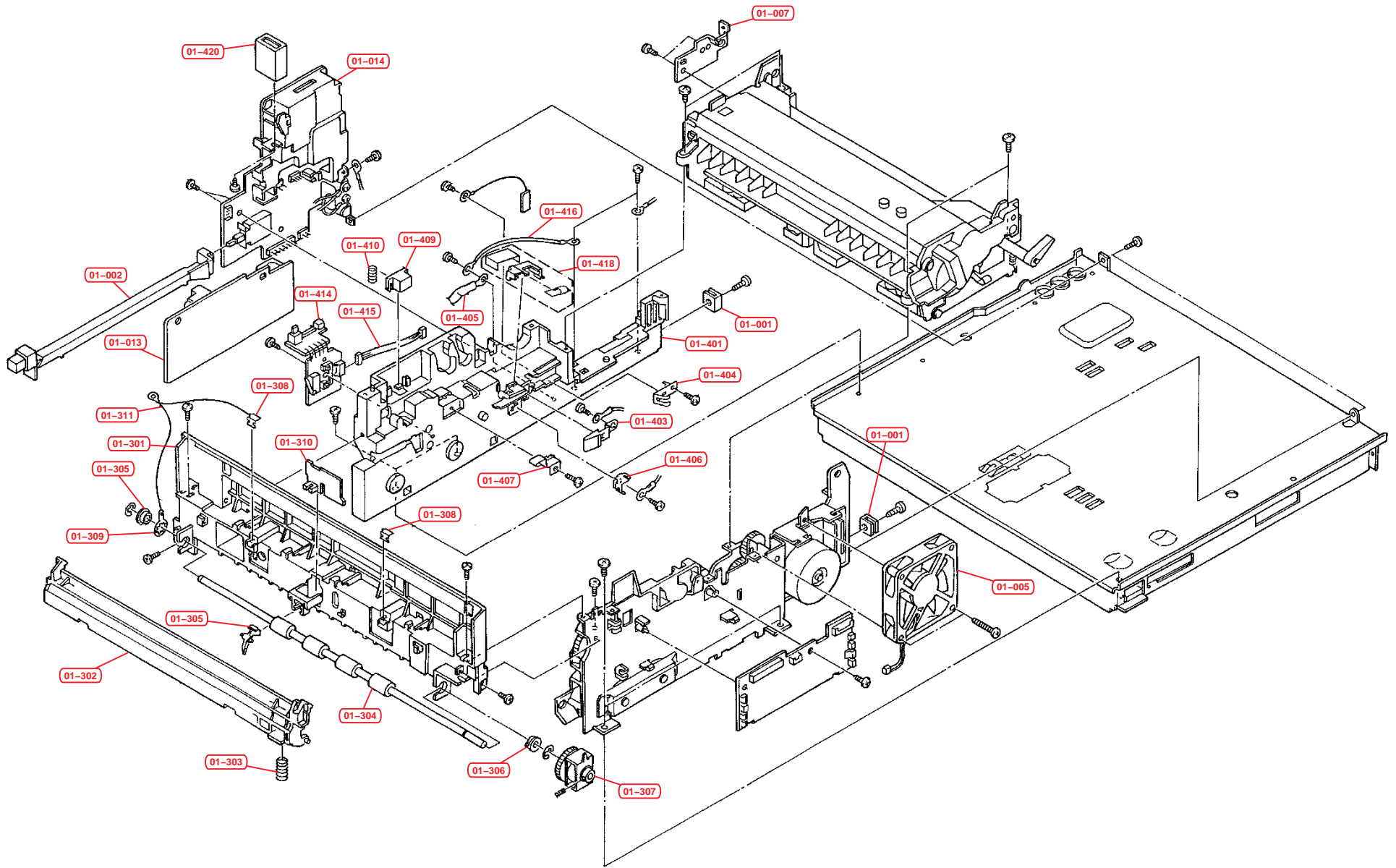
Les informations suivantes sont indiquées après chaque pièce :

N°	N° de la pièce dans l'éclaté
Référence.....	Référence de la pièce
Description	Description de la pièce (en anglais)

Seules les pièces en caractères GRAS peuvent être commandées.

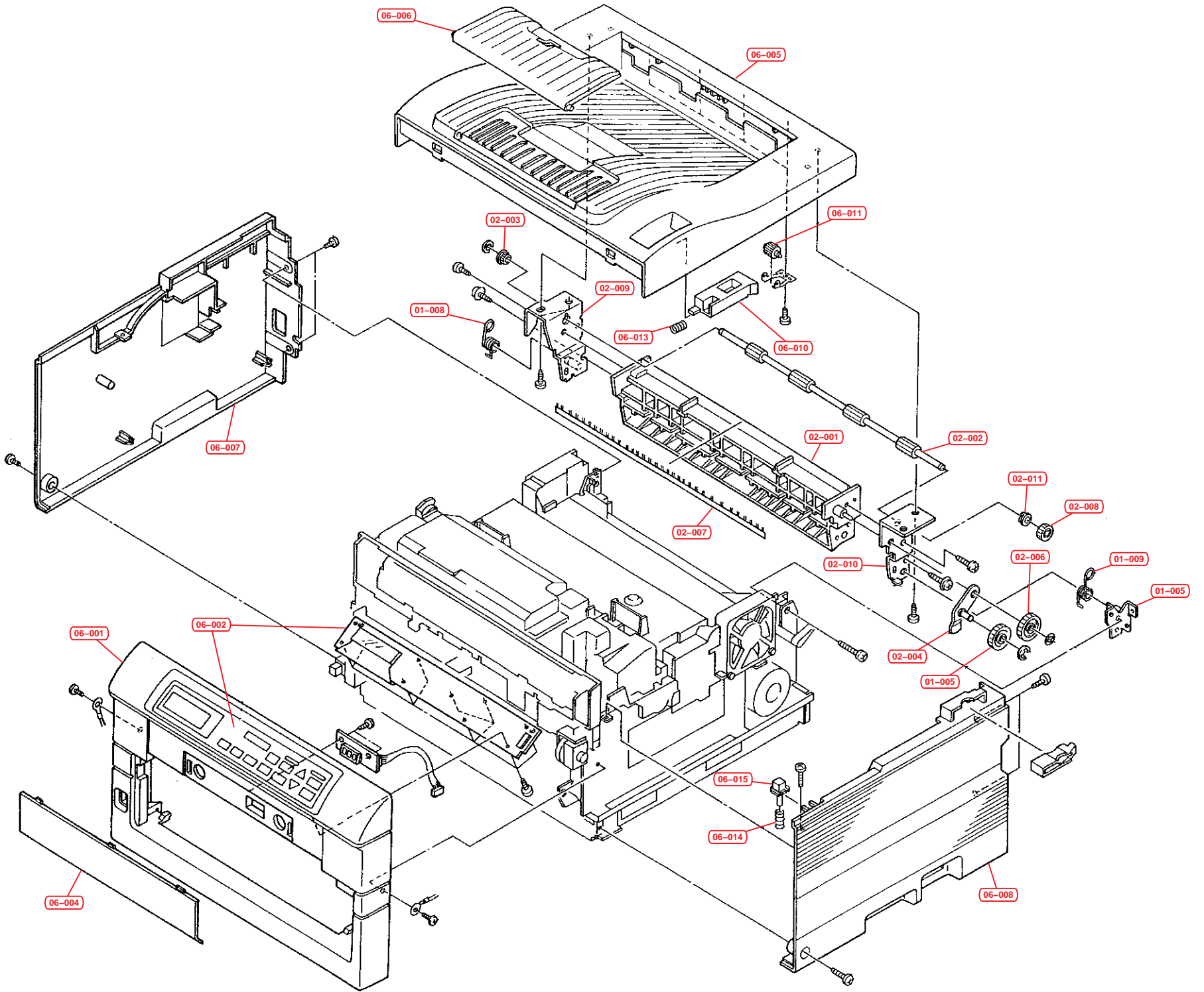
Toutes les autres pièces sont mentionnées à titre indicatif et ne sont pas disponibles.

Fig.1 – Structure



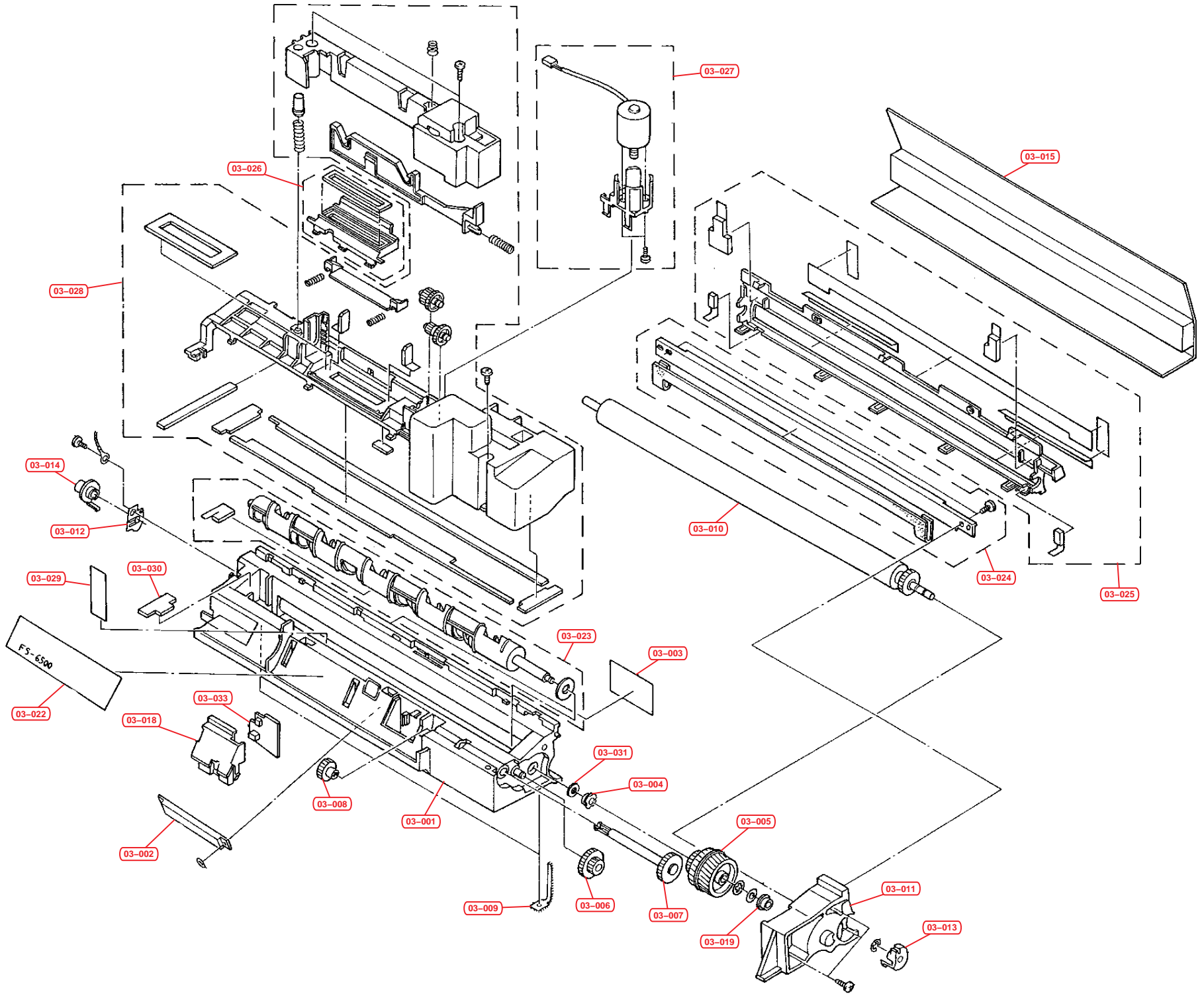
N°	Référence	Description
01-001	MU211SD007	CASE STOPPER
01-002	VX832SW001	ROD SW POWER
01-003	AY6500J*60	FRONT FRAME ASSY
01-004	AY6500J*61	LEFT FRAME ASSY
01-005	ZNF2402501*03	FAN MOTOR
01-006	MS443SL001	PLATE HINGE R
01-007	MS643SL001	PLATE HINGE L
01-008	MW567LD002	SPRING FD L
01-009	MW567LD003	SPRING FD R
01-010	VS321KF016	SHEET FRAME A
01-011	ACCNNS2GEA	CON CORD ASSY
01-012	ACCNW8GEA	CON CORD ASSY
01-013	AXTR033VDA	TRANS ASSY
01-014	APRPWC1004GH	PWB ASSY
01-025	YBF4601200101	FERRIE CODE
01-301	VX976SB001	CHANNEL FRONT
01-302	VX864SB009	LATCH COVER
01-303	MW261LD007	SPRING LATCH
01-304	MT976SN005	ROLLER MANUAL UP
01-305	VX322SB012	ACTUATOR MANUAL
01-306	VM176DN018	BUSH MANUAL
01-307	YYAFAAQ01**02	CLUTCH FEED
01-308	ML121LD003	PLATE EARTH EF
01-309	ML232LD002	PLATE EARTH MANUAL
01-310	APRSSC1006EH	PWB ASSY
01-311	ACCNV8GEA	CONN. CORD ASSY
01-313	VM176DN016	BUSH A
01-401	VX876CB002	FRAME LEFT
01-403	MU411LD001	PLATE RECEPTACLE A
01-404	MZ142LD002	PLATE RECEPTACLE B
01-405	AXRD012GEA	HIGH MEG R ASSY
01-406	MU311LD002	PLATE EARTH SPRING
01-407	MZ221LD001	LOCK DLP
01-409	VB322SB004	GUIDE SENSOR
01-410	MW161LD022	SPRING GUIDE
01-414	APRSSC1010AH	AC PWB ASSY
01-415	ACCNNS1GEA	CONN. CORD ASSY
01-416	ACCNNT5GEA	CONN. CORD ASSY
01-417	ACCNNT4GEA	CONN. CORD ASSY
01-418	AY3400E*19	DRUM THERMISTOR ASSY
01-420	AXCB003GEA	W74 COUNTER ASSY
01-00X	APRIFC1004AH	CONNECTOR BOARD

Fig.2 – Capots



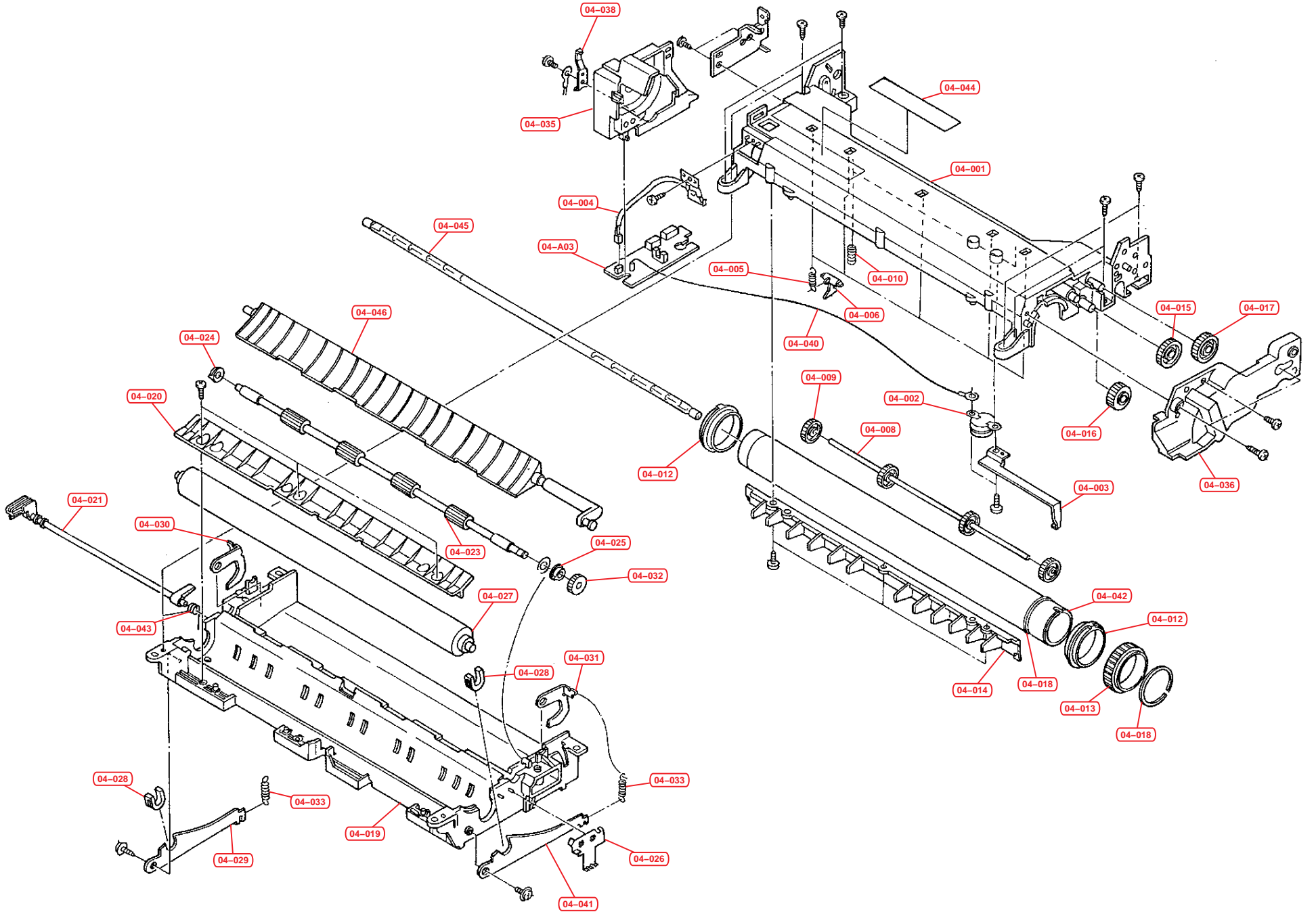
N°	Référence	Description
06-001	VB984SH005	COVER FRONT
06-002	AFZ6500E*1	KEYBOARD ASSY(FS-6500)
06-002	AFZ6500NE1	KEYBOARD ASSY(FS-6500+)
06-004	VX862SH004	LID COVER FRONT
06-005	VB986SH021	COVER TOP
06-006	VB762SH024	TRAY FACE DOWN
06-007	VB883SH030	COVER LEFT
06-008	VB883SH029	COVER RIGHT
06-009	VVS6500E*1	SER NO. PLATE
06-010	VN260SH001	KNOB RELEASE
06-011	VM273DB002	PULLEY FD
06-013	MW266LD002	SPRING KNOB
06-014	MW561LD001	SPRING COVER
06-015	VM476SW001	CAP PRESS COVER
06-016	MW361LD006	SPRING POWER
06-017	VVL871WN12	LABEL DIAGRAM
06-019	MX322LD011	BKT PULLEY FD
06-020	APRZZC2004CH	PWB ASSY
02-001	VX866SH010	GUIDE FD
02-002	MT875LD003	ROLLER FD
02-003	VM176DB008	BUSHING STOP
02-004	MX632SL008	PLATE FD JOINT
02-005	VG138DB020	GEAR FD Z30
02-006	VG148DB010	GEAR FEED Z34
02-007	VS813AQ001	BRUSH DISCHARGER
02-008	VG127DB039	GEAR EXIT Z18
02-009	MZ665SL001	PLATE FD HINGE L
02-010	MZ665SL002	PLATE FD HINGE R
02-011	MM176CJ005	BUSHING SBK

Fig. 3 – Unité de développement



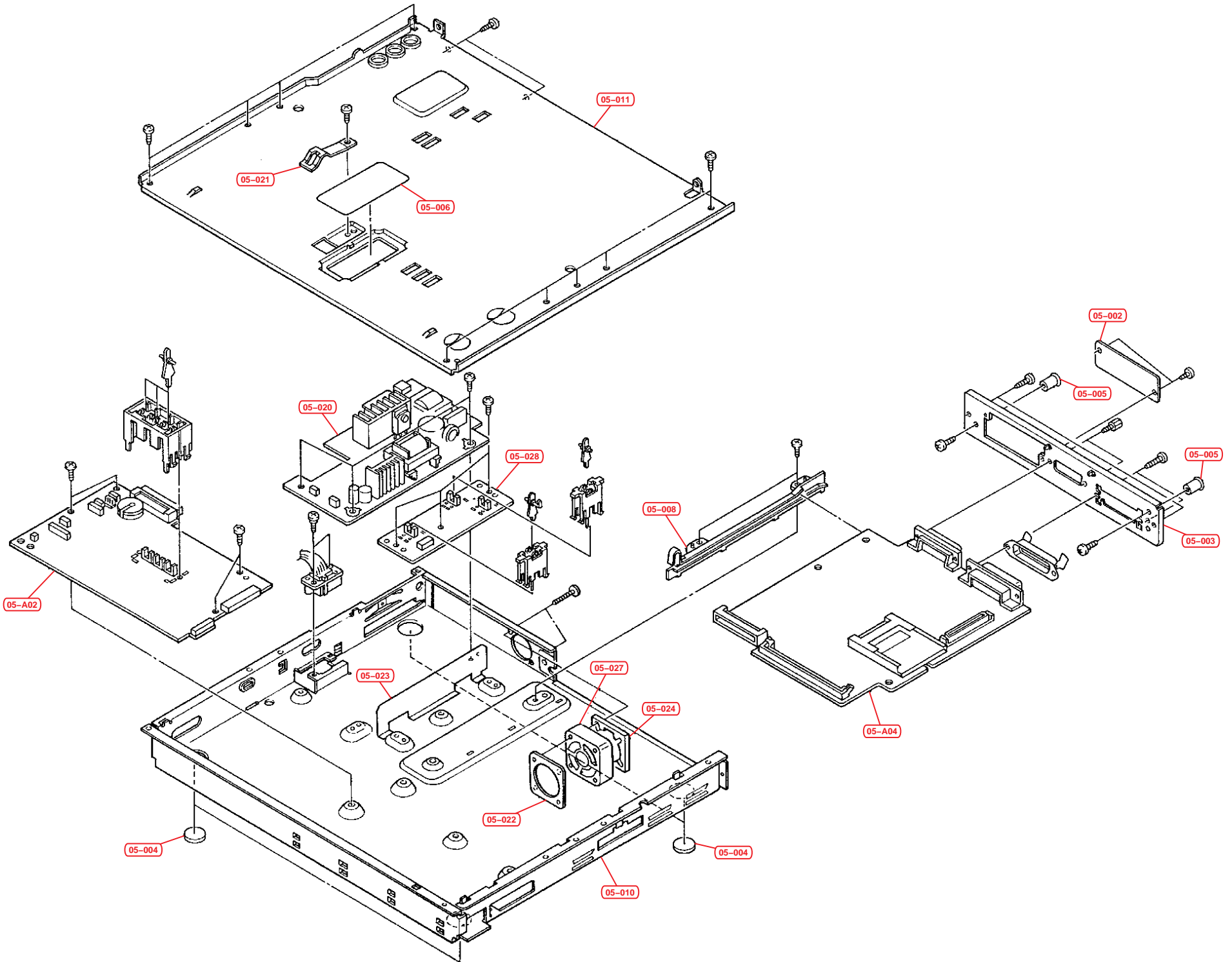
N°	Référence	Description
03-000	DV-56	DEVELOPER KIT (5PLPZQUAPKE)
03-001	VB876SB010	CASE DLP
03-002	AXTS019GEA	TONER SENSOR ASSY
03-003	VS651KJ001	TAPE SENSOR FACE
03-004	VM170DB005	BUSH MIXER B
03-005	VG148DB027	GEAR MIXER Z38-Z40
03-006	VG138DB046	GEAR IDLE Z29-Z14
03-007	VG138DB050	GEAR Z27
03-008	VG127DB037	GEAR Z14
03-009	VS511YF001	SEAL SIDE DLP
03-010	AVROLER028	ROLLER MAGNET
03-011	VX764CB001	FLANGE MG DLP
03-012	MS323LD001	PLATE BIAS
03-013	VF176CW001	CAP MG L
03-014	VF276CW001	CAP MG R
03-015	VS869FD002	SHUTTER MG
03-018	VB543SB003	COVER PWB
03-019	VM166DN004	BUSH MIXER GEAR
03-022	VVL732WN10	LABEL DLP
03-023	AY6500J*62	MIXER ASSY
03-024	AY6500J*65	BLADE ASSY
03-025	AY6500J*66	COVER MG ASSY
03-026	AY6500J*67	COVER SHUTTER ASSY
03-027	AY6500J*68	TONER MOTOR ASSY
03-028	AY6500J*69	LID ASSY
03-029	VS541KF004	SHEET CASE
03-030	VS327KF001	SHEET MIXER
03-031	MX668RB001	OIL SEAL
03-032	BWK41805NN	FLAT S WASHER
03-033	APRCZC1004BH	PWB ASSY

Fig.4 – Unité de fusion



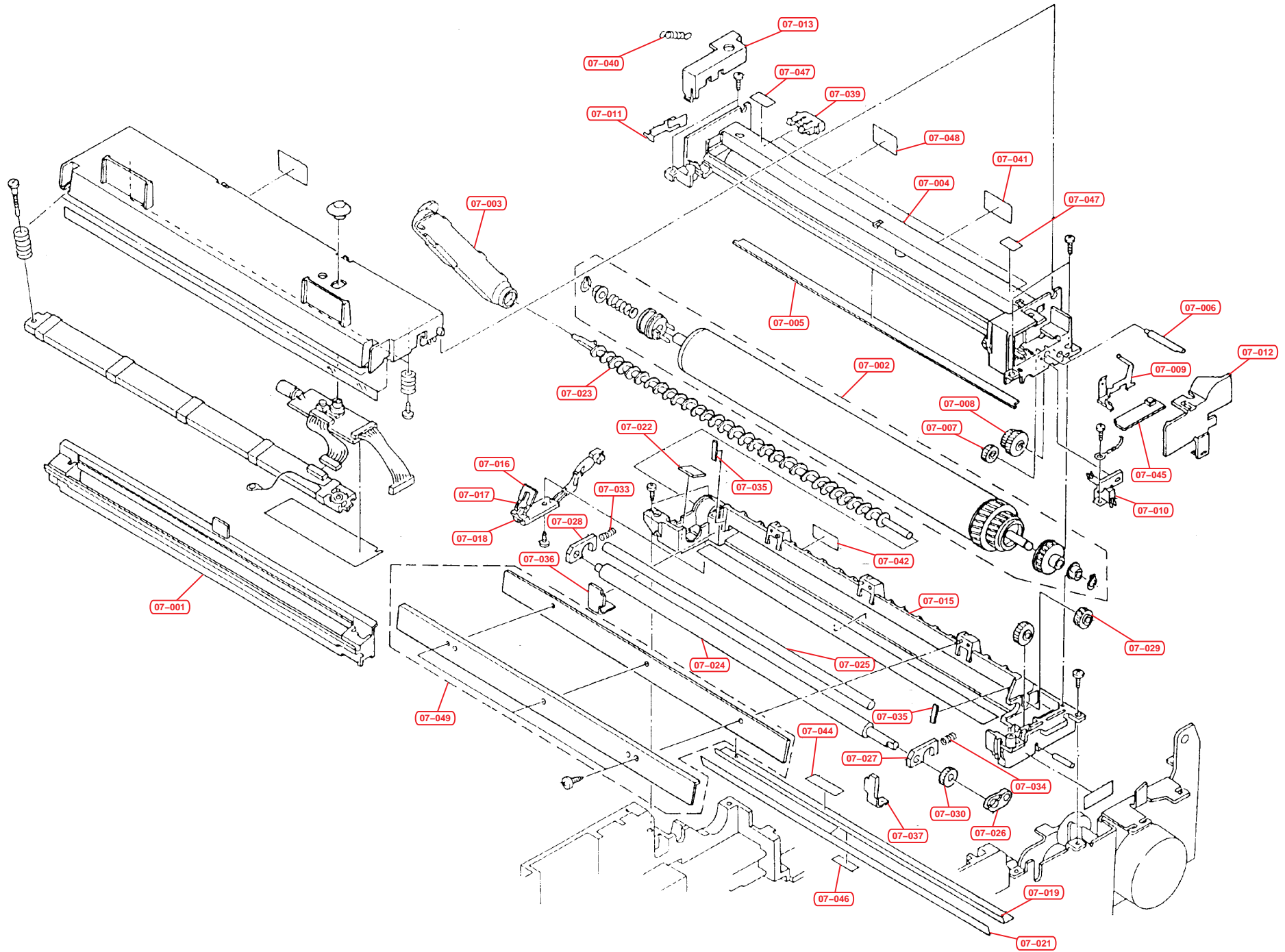
N°	Référence	Description
04-000	FK-56	FUSER KIT (5PLPZQSAPKE)
04-001	VX875XB002	FRAME FUSER UP
04-002	YFFQ16101**01	THERMO STAT
04-003	MX633RD001	HOLDER LAMP R
04-004	AXTM008GEA	THERMISTOR ASSY
04-005	MW351LD002	SPRING SEPARATOR
04-006	VX332XN003	SEPARATOR
04-008	MT833SN003	SHAFT EXIT
04-009	VM174DB002	PULLEY EXIT
04-010	MW251LD016	SPRING PULLEY
04-012	VM148XN001	BUSH HEAT
04-013	VG158XN002	GEAR Z44S
04-014	VX832XB002	HOLDER FUSER UP
04-015	VG138XN007	GEAR JOINT Z26
04-016	VG137DB026	GEAR IDLE Z21
04-017	VG137DB025	GEAR M FEED Z25
04-018	MW181SB001	RING STOP
04-019	VX875XB001	FRAME FUSER LOW
04-020	VX822XB003	GUIDE ENTRANCE
04-021	VX732CB002	ACTUATOR FUSER
04-023	MT875LD002	ROLLER EXIT
04-024	VM176DB006	BUSHING POM
04-025	MM176CJ005	BUSHING SBK
04-026	MX321LD022	PLATE EARTH FUSER
04-027	MT886SX019	ROLLER PRESS
04-028	VM166XN001	BUSHING PRESS
04-029	MS727SL001	PLATE PRESS
04-030	MX432SL004	PLATE RELEASE L
04-031	MX432SL005	PLATE RELEASE R
04-032	VG127DB018	GEAR EXIT Z16
04-033	MW251LD022	SPRING PRESS
04-035	VX665XB001	COVER FUSER L
04-036	VX763XB001	COVER FUSER R
04-038	MX321RD005	HOLDER LAMP L
04-040	ACCNNS4GEA	CON. CORD ASSY
04-041	ML737SD001	PLATE PRESS R
04-042	MT888AX009	ROLLER HEAT
04-043	MW362LD001	SPRING ACTUATOR
04-044	VVL721WN25	LABEL FUSER CAUTION
04-045	ZPZ2412920101	LAMP HEATER 240V
04-046	VX842CB005	GUIDE CHANGE
04-A03	APRIFC1005AH	P.W. BOARD ASSY

Fig.5 – Contrôleur



N°	Référence	Description
05-002	MS646SD007	PLATE CONNECT 8N
05-003	MB851SD004	PANEL REAR
05-004	VM160RB025	FOOT
05-005	VM266SB003	PULL KNOB
05-006	VS636VB003	SHEET ENGINE POM
05-007	VS532KF002	SHEET TRANS
05-008	VX732SL002	RAIL PWB MAIN
05-010	AVBOX**002	BOX ASSY
05-011	MS986SD003	LID CONTROLLER
05-013	ACCNNS5GEA	CONN. CORD ASSY
05-014	ACCNNS7GEA	CONN. CORD ASSY
05-015	ACCNNS8GEA	CONN. CORD ASSY
05-016	ACCNNT2GEA	CONN. CORD ASSY
05-017	ACCNNS9GEA	CONN. CORD ASSY
05-018	ACCNNR6GEA	CONN. CORD ASSY
05-019	ACCNNR7GEA	CONN. CORD ASSY
05-020	AEZ3600E*1	SWITCHING REGULATOR
05-021	MC621LD002	PLATE RELEASE CAS
05-022	MS337SD003	PLATE FAN
05-023	VS853KN002	SHEET CONT BOX
05-024	VS447XF001	SEAL BOX FAN
05-025	YBE1641600102	FERRITE CORE
05-026	VS775CC001	SHEET PWB ASSY
05-027	ZNF0509001*02	FAN MOTOR
05-028	APRZZC1043AH	PWB ASSY SENSOR
05-A02	APRCZC2001BH	PWB ASSY ENGINE(FS-6500)
05-A02	APRCZC2002BH	PWB ASSY ENGINE(FS-6500+)
05-A04	APRLGG4022DH	PWB ASSY MAIN(FS-6500)
05-A04	APRLGG4022HH	PWB ASSY MAIN(FS-6500+)
05-00X	VB544SB002	HOLDER ACTUATOR

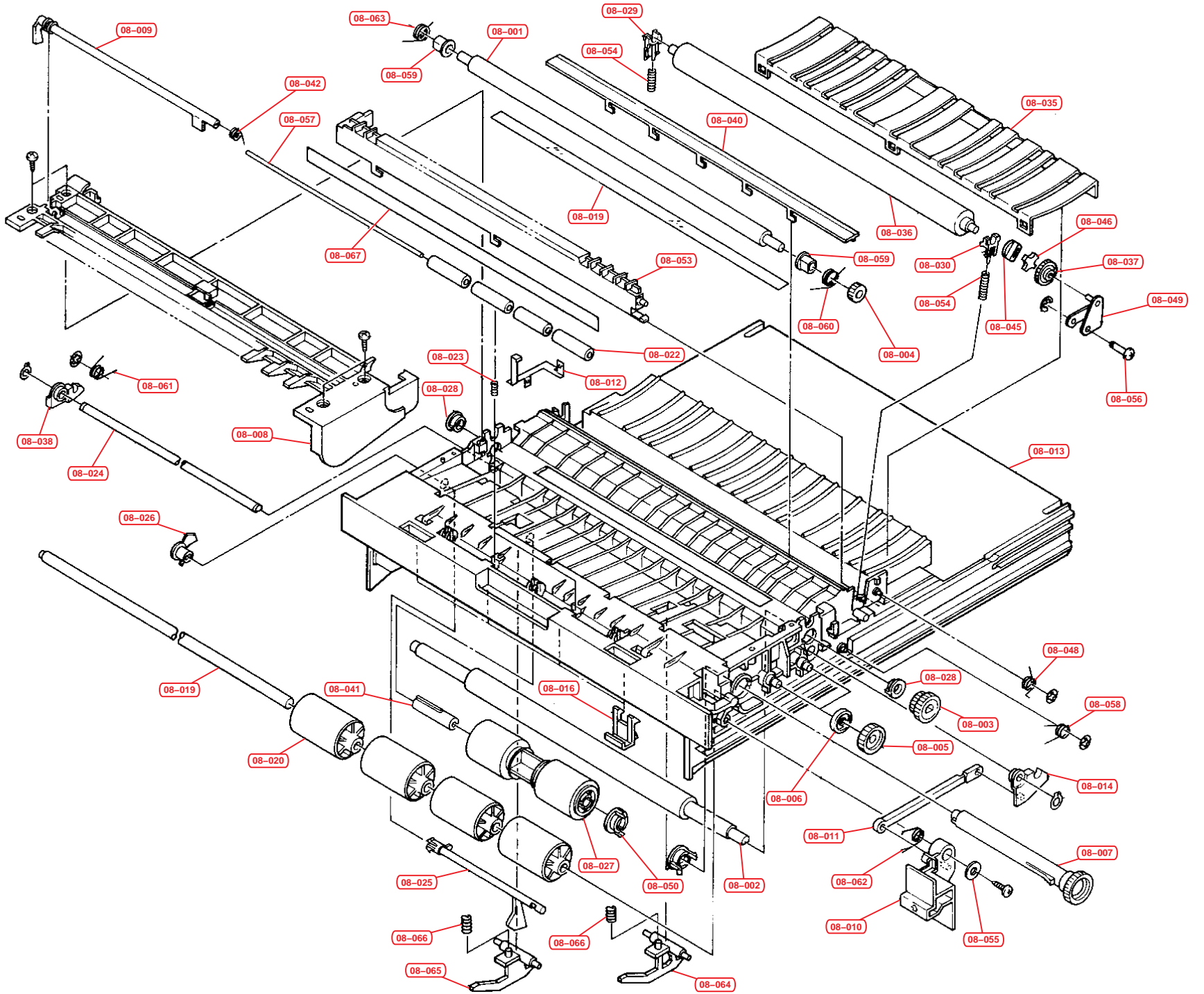
Fig.6 – Unité de LED du tambour



N°	Référence	Description
07-000	DK-56	DRUM KIT (5PLPZQWAPKE)
07-000	LK-55	LED HEAD (5PLPZQVAPKE)
07-001	AY6500J*70	MCH ASSY
07-002	AY6500E*22	DRUM ASSY
07-003	AY6500J*63	CASE BELT ASSY
07-004	VB966CB001	FRAME DRUM UP
07-005	AXLD026GEA	LED ASSY
07-006	MT343SN004	PIN IDLER D
07-007	VG127DN039	GEAR H14
07-008	VG047DN002	GEAR H37-H18
07-009	MZ322LD004	PLATE ZENNER A
07-010	MX433LD003	PLATE ZENNER B
07-011	MZ332LD002	PLATE MCH
07-012	VB632SB007	COVER ZENNER
07-013	VB654CB001	HOLDER CASE BELT
07-015	VX966CB001	FRAME DRUM LOW
07-016	AVBRUSH039	CONTACT BRUSH L ASSY
07-017	VS226RF013	SHEET BRUSH A
07-018	VS222XF008	SHEET BRUSH B
07-019	ML811LD003	PLATE SHEET
07-020	VS816RN001	SHEET DRUM
07-021	VS821KN017	SHEET CLN
07-022	VS328LN001	SEAL RING LEFT
07-023	MT864CB003	SCREW
07-024	MT876SN024	ROLL CLN
07-025	VT860SN002	ROLL MAGIC
07-026	VQ321DN004	BUSH A
07-027	VQ321XN001	BUSH B
07-028	VQ321XN002	BUSH C
07-029	VG127DN038	GEAR H14S
07-030	VG137DN013	GEAR H22
07-033	MW241LD011	SPRING ROLL E
07-034	MW241LD005	SPRING ROLL B
07-035	VS318KN001	SEAL BLADE
07-036	VS428LN004	SEAL DRUM L
07-037	VS428LN005	SEAL DRUM R
07-039	MB211SB009	LED STOPPER
07-040	MW254LD003	SPRING CASE BELT
07-041	MS831AX003	SEAL HEAT UP
07-042	MS921AX001	SEAL HEAT LOW
07-044	VS811XF005	TAPE PLATE DRUM
07-045	APRCZC1003AH	PWB ASSY
07-046	VS823KN002	SHEET DRUM LOW
07-047	VS217RF019	SHEET MCM

N°	Référence	Description
07-048	MS721AX001	SEAL HEAT A
07-049	AY6500J*77	BLADE UNIT
07-00T	APRLDC2004DH	PWB ASSY

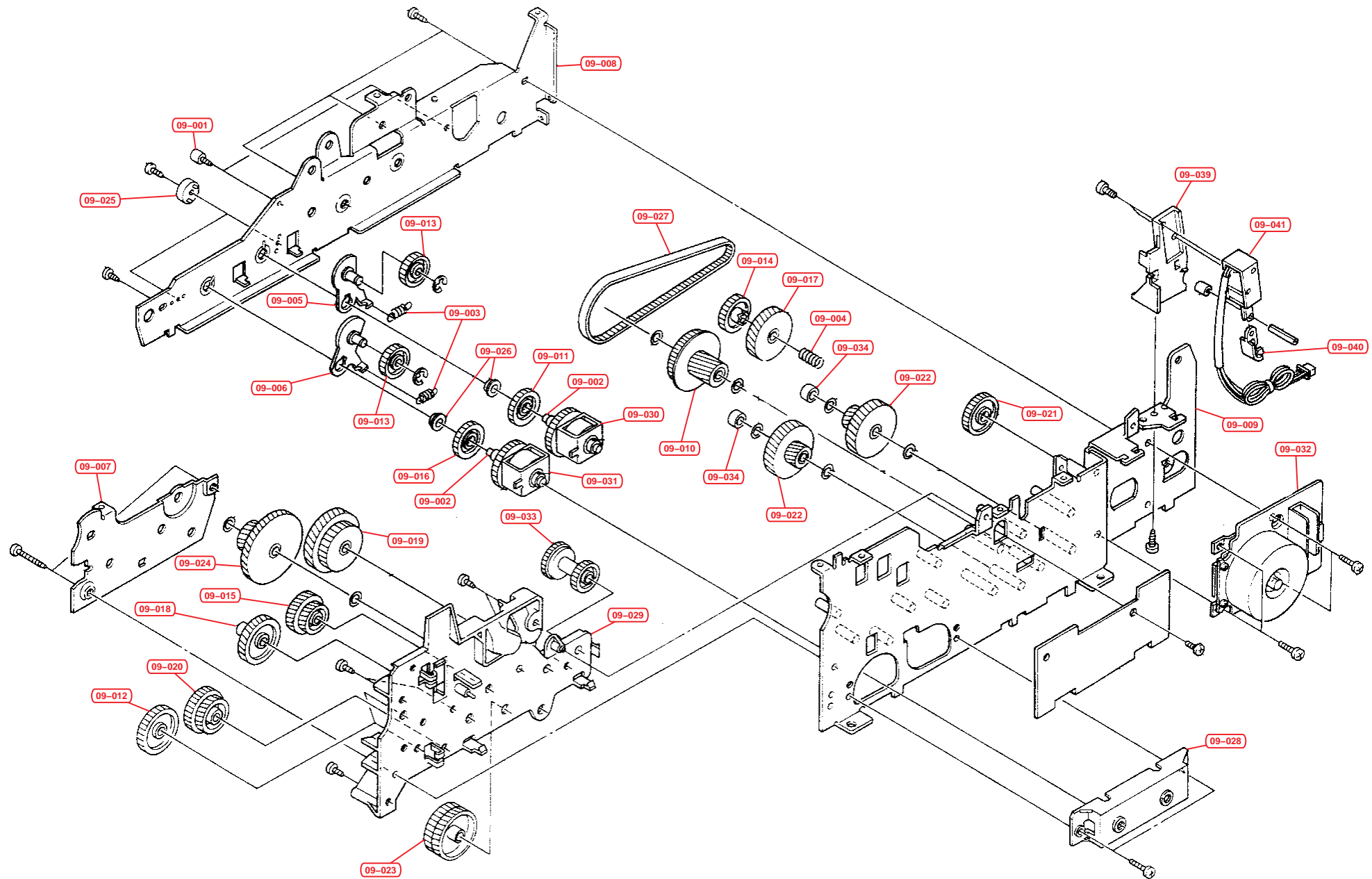
Fig.7 – Entraînement papier



N°	Référence	Description
08-000	AY6500J*44	FEED TRANS UNIT(FS-6500)
08-000	AY6500D*02	FEED TRANS UNIT(FS-6500+)
08-001	MT876SN043	ROLLER REGIST UP
08-002	MT876SN044	ROLLER REGIST LOW
08-003	VG137DB059	GEAR REGIST Z24-Z26
08-004	VG127DB038	GEAR REGIST Z19
08-005	VG138DB029	GEAR IDLE Z26
08-006	VM121DB001	COLLER JOINT
08-007	VG138DB052	FEED WHEEL
08-008	VX875SH005	GUIDE PAPER A
08-009	AY6500J*78	SENSOR DOC
08-010	VX655SX001	LEVER LOCK
08-011	VX711DB002	LINK LOCK
08-012	MX643LD002	PLATE EARTH CONTACT
08-013	VB986SH022	LOWER CASE
08-014	VX431DB003	HINGE LOCK R
08-016	VX322DN002	GUIDE PAPER B
08-018	VS821KF018	SHEET REGIST B
08-019	MT866SN021	SHAFT GUIDE
08-020	VM687DB001	ROLLER GUIDE
08-022	VM460DB001	ROLLER IDLE
08-023	MW255LD003	SPRING MANUAL
08-024	MT866SN020	SHAFT RELEASE
08-025	VX745CB001	ACTUATOR CASSETTE A
08-026	VX321SB012	ACTUATOR CASSETTE B
08-027	AVROLL*027	FEED ROLL ASSY
08-028	VM122DB003	BUSH POM
08-029	VX322DB012	BUSH TRANSFER L
08-030	VX321DB009	BUSH TRANSFER R
08-035	MU862SD002	PLATE EARTH
08-036	MT886SN008	ROLLER TRANSFER
08-037	VG137DB061	GEAR Z29H TC
08-038	VS421DB007	HINGE LOCK L
08-040	VX828CB001	GUIDE CHUTE
08-041	VM410DB001	HOLDER ROLLER FEED
08-042	MW163LD004	SPRING SENSOR
08-045	VM176DB009	BUSH TRANSFER
08-046	VM276DB007	COUPLING JOINT
08-048	MW166LD006	SPRING BRACKET
08-049	MU222SD002	BRACKET JOINT GEAR
08-050	VM177DB008	BUSH FEED
08-053	AY6500J*74	BRUSH DC ASSY
08-054	MW354LD003	SPRING TC ROLL
08-055	BWK54E08SZ	FLAT S WASHER
08-056	MT243SZ005	PIN BRACKET A

N°	Référence	Description
08-057	MT733SN002	SHAFT MANUAL FEED
08-058	MW163LD003	SPRING HING R
08-059	MM276CJ001	METAL BUSH REGIST
08-060	MW172SX005	SPRING REGIST R
08-061	MW167LD003	SPRING HING L
08-062	MW167LD004	SPRING LOCK
08-063	MW172LD008	SPRING REGIST L
08-064	VX621SB006	GUIDE PAPER CR
08-065	VX621SB007	GUIDE PAPER CL
08-066	MW231LD002	SP GUIDE PAPER C
08-067	VS811KF017	SHEET DC BRUSH

Fig.8 – Mécanique



N°	Référence	Description
09-000	AY6500E*19	DRIVE FRAME UNIT
09-001	MT263SZ016	PIN STUD
09-002	MT566SN002	SHAFT CLUTCH
09-003	MW261LD006	SPRING JOINT
09-004	MW265LD002	SPRING FREE
09-005	MS437SD001	PLATE JOINT
09-006	MS437SD002	PLATE JOINT B
09-007	MS761SD002	PLATE DRIVE C
09-008	MS867SD002	PLATE DRIVE A
09-009	MS877SD002	PLATE DRIVE B
09-010	AVGEAR*021	GEAR P60-H20 ASSY
09-011	VG138DN019	GEAR Z28S
09-012	VG148DB009	GEAR IDLE Z40
09-013	VG138DB021	GEAR JOINT Z28
09-014	VG138DB051	GEAR Z30S
09-015	VG148DB031	GEAR Z32H-Z25H
09-016	VG138DB024	GEAR CLUTCH Z29
09-017	VG158DB021	GEAR Z46H
09-018	VG148DB025	GEAR IDLE Z40H
09-019	VG169DB009	GEAR Z52H-Z42S
09-020	VG158DN011	GEAR Z29H-Z37S
09-021	VG148XN007	GEAR FUSER Z34
09-022	AVGEAR*022	GEAR H48-H19 ASSY
09-023	VG158DB010	GEAR REG Z45H-Z45S
09-024	AVGEAR*023	GEAR H59-H23 ASSY
09-025	VM122DB002	PULLEY CASE
09-026	VM176DB008	BUSHING STOP
09-027	VG379RB001	BELT DRIVE
09-028	VC787DN001	HOLDER CLUTCH
09-029	VS877DB001	SPACER GEAR
09-030	YYAFAAK01**03	CLUTCH REGIST
09-031	YYAFAAQ01**03	CLUTCH FEED
09-032	AXMT018GEA	MOTOR MAIN
09-033	VG137DB058	GEAR Z25S-Z51S
09-034	VM166AN001	COLLAR
09-038	MW261LJ032	SPRING SOLENOID
09-039	VX633XB001	HOLDER SOL
09-040	VX321DN008	JOINT PLATE
09-041	ZSA2401020304	SOLENOID TDS-KN07A
09-042	APRIFC1004CH	PWB ASSY

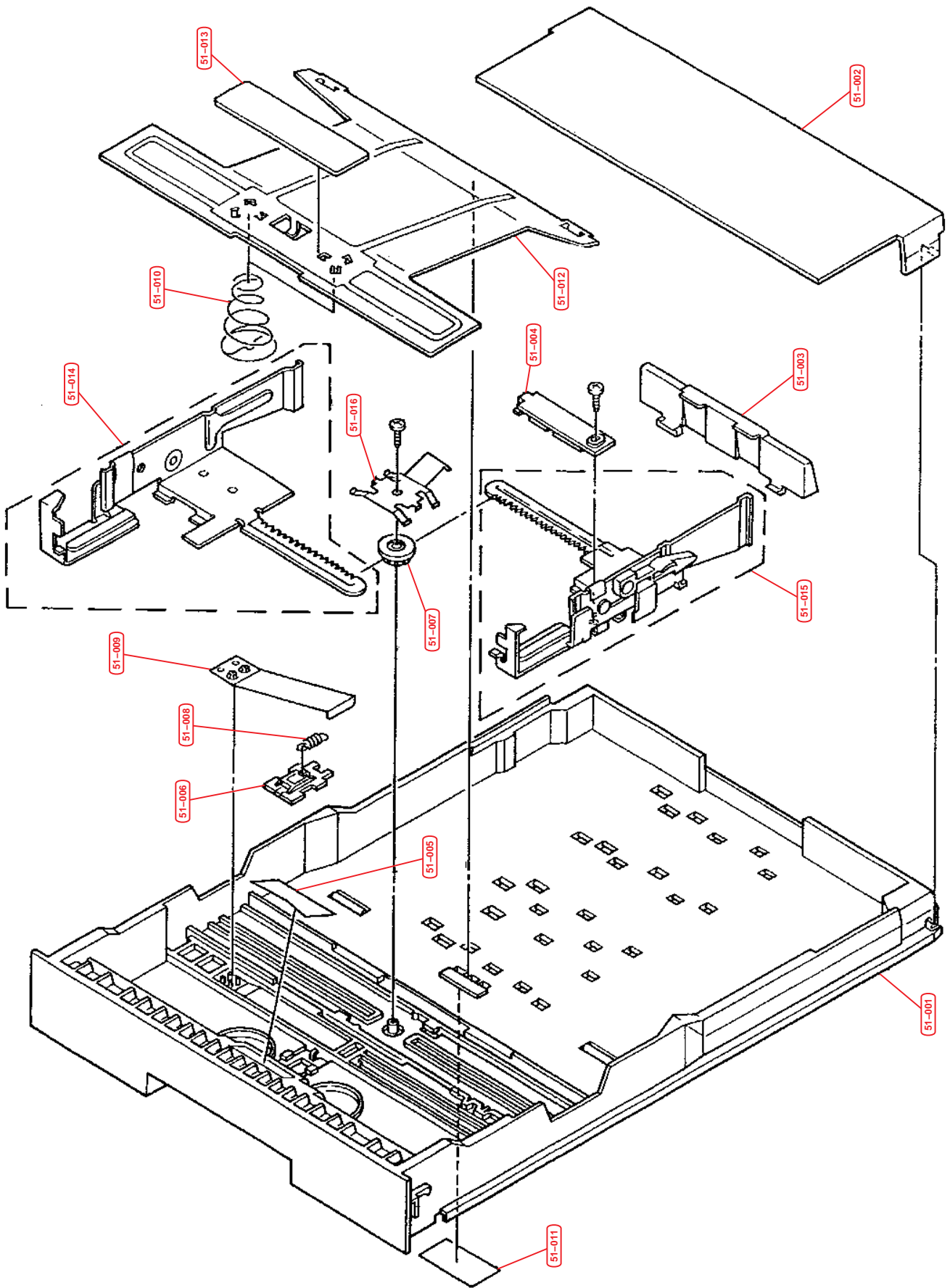


Fig.9 – Bac papier

N°	Référence	Description
51-000	PC15	PAPER CASSETTE FS-6500+
51-001	VB986SH020	CASE CASSETTE
51-002	VB861SH002	COVER CASSETTE
51-003	VB742SH002	PAPER END STOPPER
51-004	VX622SH001	KNOB SIZE SELECT
51-005	VS631KF003	SHEET CASSETTE B
51-006	VX421SH001	STOPPER BOTTOM
51-007	VG127SH002	GEAR TRAY Z16S
51-008	MW411LJ001	SP STOPPER BOTTOM
51-009	MZ714LD001	CASSETTE SUB SP
51-010	MW671LJ003	CASSETTE SPRING
51-011	VS533VF003	SHEET BOTTOM
51-012	MS886SF001	PLATE BOTTOM
51-013	VS746XN001	PAD SEPARATOR
51-014	AVNA1L*003	PLATE SIDE L ASSY
51-015	AVNA1L*004	PLATE SIDE R ASSY
51-016	MX654LD001	PLATE EARTH