



**IMPRIMANTE PAGE**

**FS-6700**

# **NOMENCLATURE**

**02-12-1998**

# FS-6700 Pièces détachées

## Table des matières

Capots (Fig.1).....	3
Structure (Fig.2).....	6
Mécanique (Fig.3).....	9
Contrôleur (Fig.4).....	11
Entraînement Papier (Fig.5).....	13
Unité de fusion (Fig.6).....	16
Cassette (Fig.7).....	19
Tambour (Fig.8).....	21
Scanner (Fig.9).....	24
Unité de développement (Fig.10).....	26
Chargeur universel (Fig.11).....	29

## Introduction

Les figures qui suivent représentent l'assemblage de l'imprimante ou des options, par sous-ensembles.

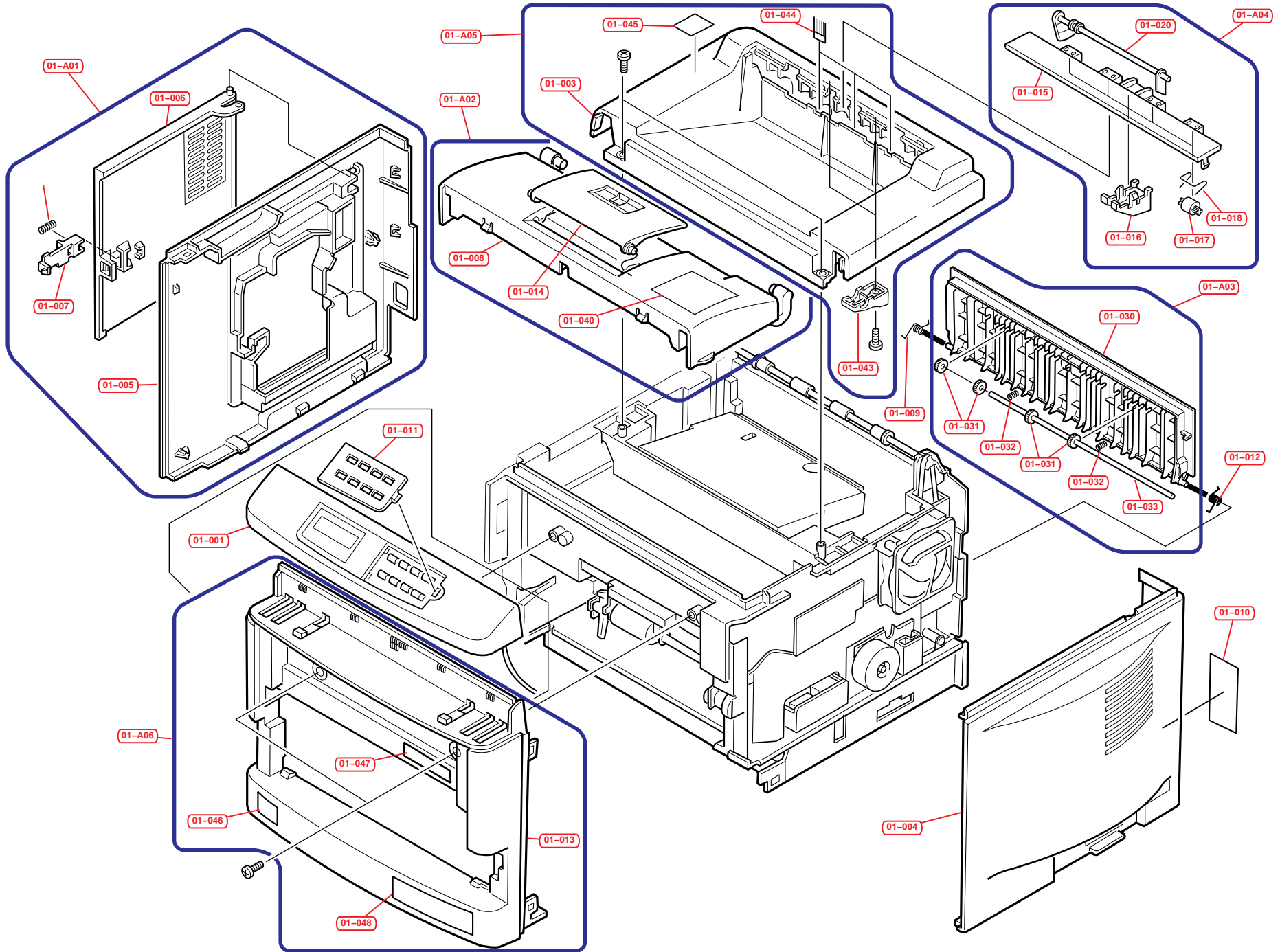
Les informations suivantes sont indiquées après chaque pièce :

N° .....	N° de la pièce dans l'éclaté
Référence.....	Référence de la pièce
Description .....	Description de la pièce ( en anglais )

Seules les pièces en caractères GRAS peuvent être commandées.

Toutes les autres pièces sont mentionnées à titre indicatif et ne sont pas disponibles.

Fig. 1 – Capots



N°	Référence	Description
01-001	AY6700E*05	KEY BOARD ASSY French
01-001	AY6700F*02	KEY BOARD ASSY English
01-002	VB986CH001	COVER FRONT
01-003	VB986CH002	COVER TOP
01-004	VB885CH003	COVER RIGHT
01-005	VB885CH002	COVER LEFT
01-006	VB873CH003	COVER SIDE
01-007	VX432CH001	LEVER SIDE
01-008	VB976CH001	LID TOP
01-009	MW161SD007	SPRING REAR L
01-010	VVMLS66J*1	RATING LABEL
01-011	VS651CH016	PANEL LS
01-011	VS651CH001	PANEL ENGLISH
01-012	MW161SD008	SPRING REAR R
01-013	MW166LD008	SPRING LEVER
01-014	VB761SH009	STOPPER FD
01-015	VX853CH001	FRAME FD
01-016	VX332DB012	GUIDE STOCK
01-017	VM273DB003	ROLLER PINCH
01-018	MW251LD025	SPRING PULLEY
01-020	VX335CB001	ACTUATOR FD
01-021	VB866CH004	PANEL FRONT English
01-021	VS651CH003	PANEL FRONT French
01-022	VS756CN001	COVER PANEL
01-023	VX752SH001	BUTTON
01-024	VS751RC001	SHEET PWB KEY
01-025	VS752CX001	SHEET BUTTON
01-026	VS229RB011	SEAL LCD
01-027	VS752XF001	SEAL PANEL
01-028	APRKBC2001CH	P.W.BOARD ASSY
01-029	ACCNQL9GEA	CONN.CORD ASSY
01-030	VX863CH001	COVER REAR
01-031	VM176DB016	PULLEY EXIT FD
01-032	MW251LD033	SPRING PULLEY B
01-033	MT833SD001	SHAFT EXIT
01-040	VVL761WB47	LABEL DIAGRAM FE22
01-043	VB432DH001	GUIDE STOCK B
01-044	VS337FF002	DISCHARGER FD
01-045	VVL431WN33	LABEL CAUTION J
01-046	VVL331GE31	LABEL ENERGYPSTAR
01-047	VVL621GE63	LABEL CLEAN FE
01-048	VVL721WN46	LABEL CAUTION FEED
01-049	VVL331GE32	LABEL BLUE ANG. C
01-A01	AVC0VER202	COVER LEFT ASSY
01-A02	AVC0VER203	LID TOP ASSY

<b>N°</b>	<b>Référence</b>	<b>Description</b>
01-A02	AVCOVER218	LID TOP ASSY
<b>01-A03</b>	<b>AYLS66J*42</b>	<b>COVER REAR ASSY</b>
<b>01-A04</b>	<b>AVFRAME091</b>	<b>FRAME FD ASSY</b>
<b>01-A05</b>	<b>AVCOVER220</b>	<b>COVER TOP ASSY w/o 01-045</b>
<b>01-A06</b>	<b>AVCOVER221</b>	<b>COVER FRONT ASSY</b>
<b>01-A07</b>	<b>AVCOVER215</b>	<b>COVER TOP/LID ASSY</b>

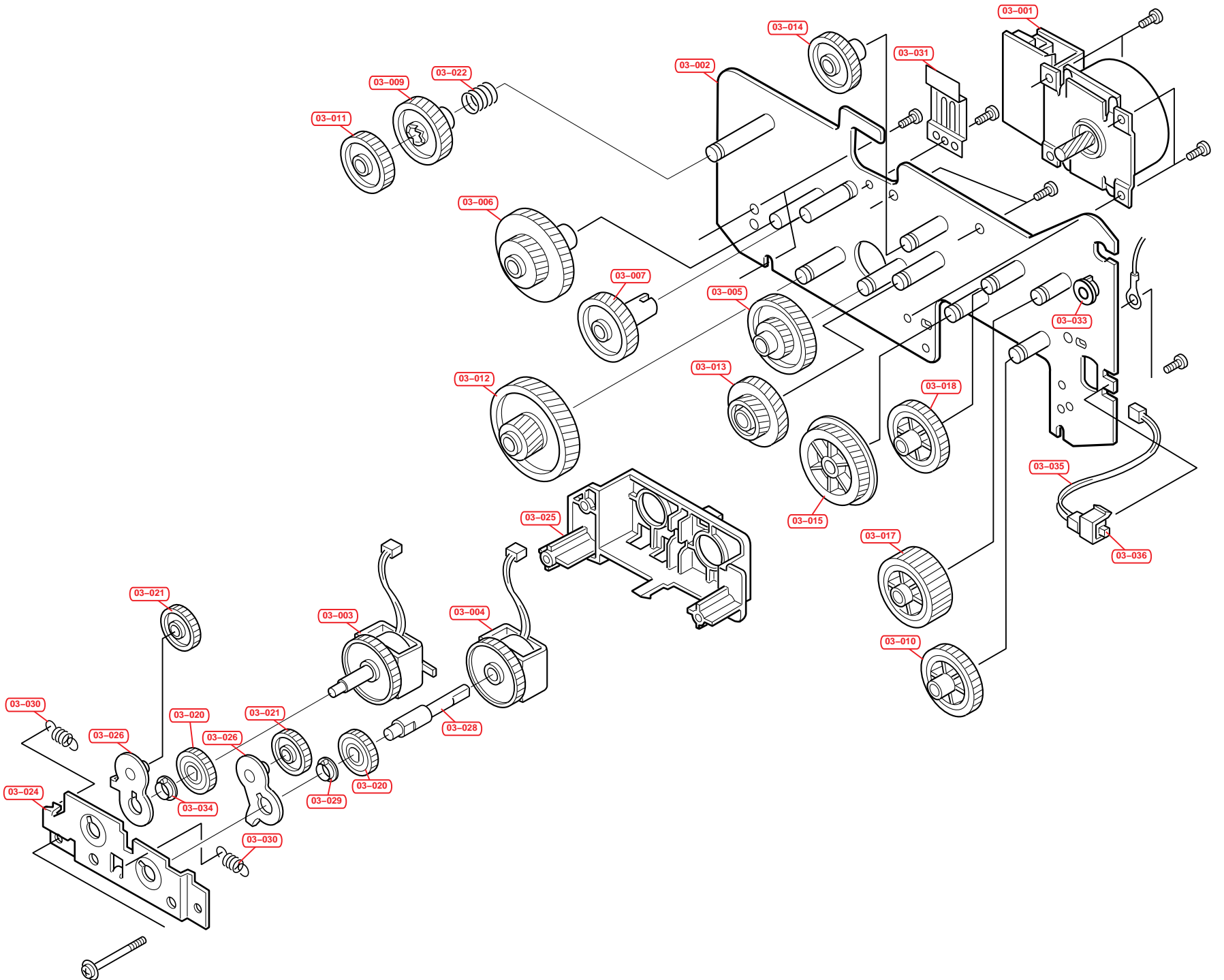


N°	Référence	Description
02-001	VB988CB001	FRAME BASE
<b>02-002</b>	<b>VM170RB002</b>	<b>BELT FD</b>
02-003	MX742SD002	PLATE EARTH
02-004	VX744SB003	BRACKET M/P ROLL
02-005	MT876SN062	ROLLER FD B
02-006	VG327DN004	PULLEY FD
02-007	NXGP1A73A**01	PT SENSOR GP1A73A
02-008	MW161LD025	SPRING ACTUATOR
02-009	AVROLER036	ROLLER M/P ASSY
02-010	MX642LD003	PLATE EARTH FD
02-011	VF276DN001	PULLEY TENSION FD
02-012	ACCNPR2GEA	CONN.CORD
02-013	MX643SD004	BRACKET INLET
02-014	VX753SB003	ROD INTERLOCK
02-015	MW451LD001	SPRING INTERLOCK
02-016	VX773SH005	COVER HV
02-017	MX664LD001	CONTACT TC
02-018	VB966CB003	FRAME MID
02-019	MT866SN028	SHAFT M/P ROLL
02-022	YYAFAAM01*03	CLUTCH M/P
02-023	MX531LY001	CONTACT MCH
02-024	VB663DN001	HOLDER FD GEAR
02-025	MX422LD010	CONTACT HI MEG A
02-026	MX654LD004	CONTACT HI MEG B
02-027	VX321SB016	LEVER BOTTLE
02-028	MW241LD014	SPRING LEVER BOTTLE
<b>02-031</b>	<b>APRIFC1011AH</b>	<b>P.W.BOARD ASSY</b>
<b>02-032</b>	<b>AXTR039VDA</b>	<b>TRANS ASSY</b>
<b>02-033</b>	<b>APRSSC1021AH</b>	<b>P.W.B RELAY ASSY</b>
<b>02-034</b>	<b>APRIFC1021AH</b>	<b>P.W.BOARD RELAY</b>
<b>02-035</b>	<b>ZNF2402701*01</b>	<b>FAN MOTOR</b>
02-036	VM176DN019	BUSH POM A
02-037	VG137DB069	GEAR FD
02-038	VM210DB002	BUSH REGIST
<b>02-039</b>	<b>MT876SN061</b>	<b>ROLLER FD A</b>
02-041	VM162DN005	BUSH FD R
02-046	VX222SB012	ARM M/P A
02-047	MW161LJ043	SPRING M/P ARM
<b>02-048</b>	<b>VX532SB007</b>	<b>ACTUATOR M/P</b>
02-049	ACCNQL8GEA	CONN.CORD
02-050	ACCNQL7GEA	CONN.CORD
02-051	ACCNQN1GEA	CONN.CORD
02-052	ACCNQM0GEA	CONN.CORD
02-053	ACCNQL2GEA	CONN.CORD
02-054	ACCNQL3GEA	CONN.CORD

N°	Référence	Description
02-056	ACCNQM2GEA	CONN.CORD
02-057	ACCNQM3GEA	CONN.CORD
02-060	VG158DN036	GEAR M/P Z43S
02-061	MX665LD003	CONTACT SEPARATE
02-062	ACCNQL4GEA	CONN.CORD S02255
02-063	VX221DN011	CAM M/P
02-064	MT566SN004	SHAFT M/P CL
02-065	MU364SD001	BRACKET CLUTCH
02-066	MX411LD005	PLATE EARTH M/P B
02-067	VM176DB017	BUSH M/P ROLL
02-068	VX321DN012	LEVER M/P BOTTOM
02-069	MW271LD009	SPRING SOLENOID
02-070	ZSA2402010101	SOLENOID ASSY
02-071	VG148DN041	GEAR M/P Z32S
02-072	MW276SJ001	SPRING M/P CL
02-073	VF277DN002	SLEEVE M/P CL
02-074	VM270DN002	COLLAR M/P CL
02-075	VS642KF007	SHEET FAN A
02-076	VS642KF008	SHEET FAN B
02-077	MS841AX001	SHEET HEAT FRAME
02-078	VM176DN019	BUSH POM A
02-079	MW161LD042	SPRING ACTUATOR
02-080	VS762KF008	SHEET HI VOLTAGE
02-A01	AYLS66J*23	INLET ASSY
02-A02	AYLS66J*24	BRACKET ASSY
<b>02-A03</b>	<b>AYLS66J*25</b>	<b>COVER HV ASSY</b>
<b>02-A04</b>	<b>AY1700E*43</b>	<b>DLP LOCK ASSY</b>
02-A05	AYLS66J*41	BRACKET CL ASSY
02-A06	AY1700E*34	PIN HV ASSY
<b>02-A07</b>	<b>AVCLTCH014</b>	<b>M/P CL ASSY</b>
<b>02-A08</b>	<b>AYLS66J*44</b>	<b>FAN MOTOR ASSY</b>

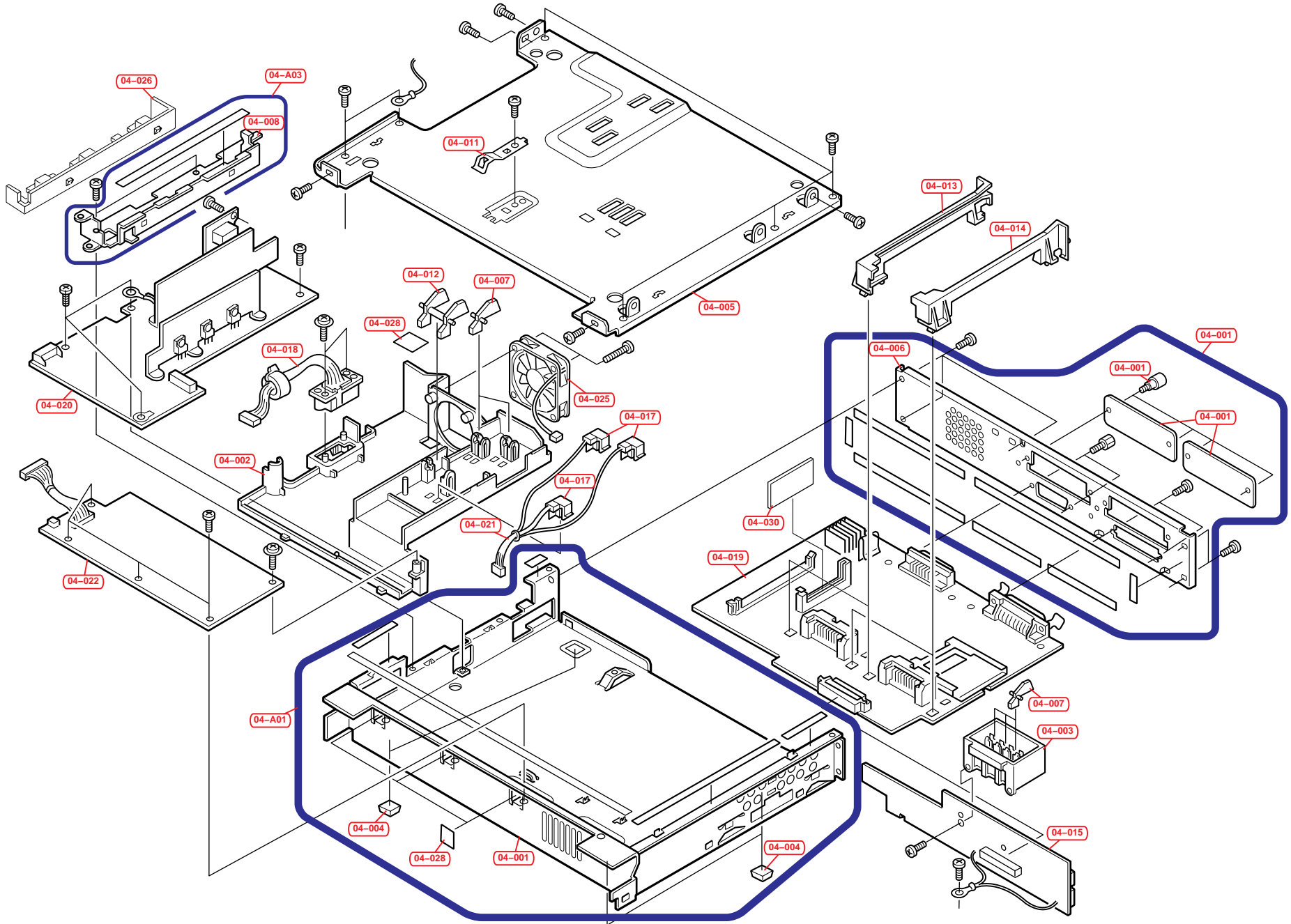


Fig.3 – Mécanique



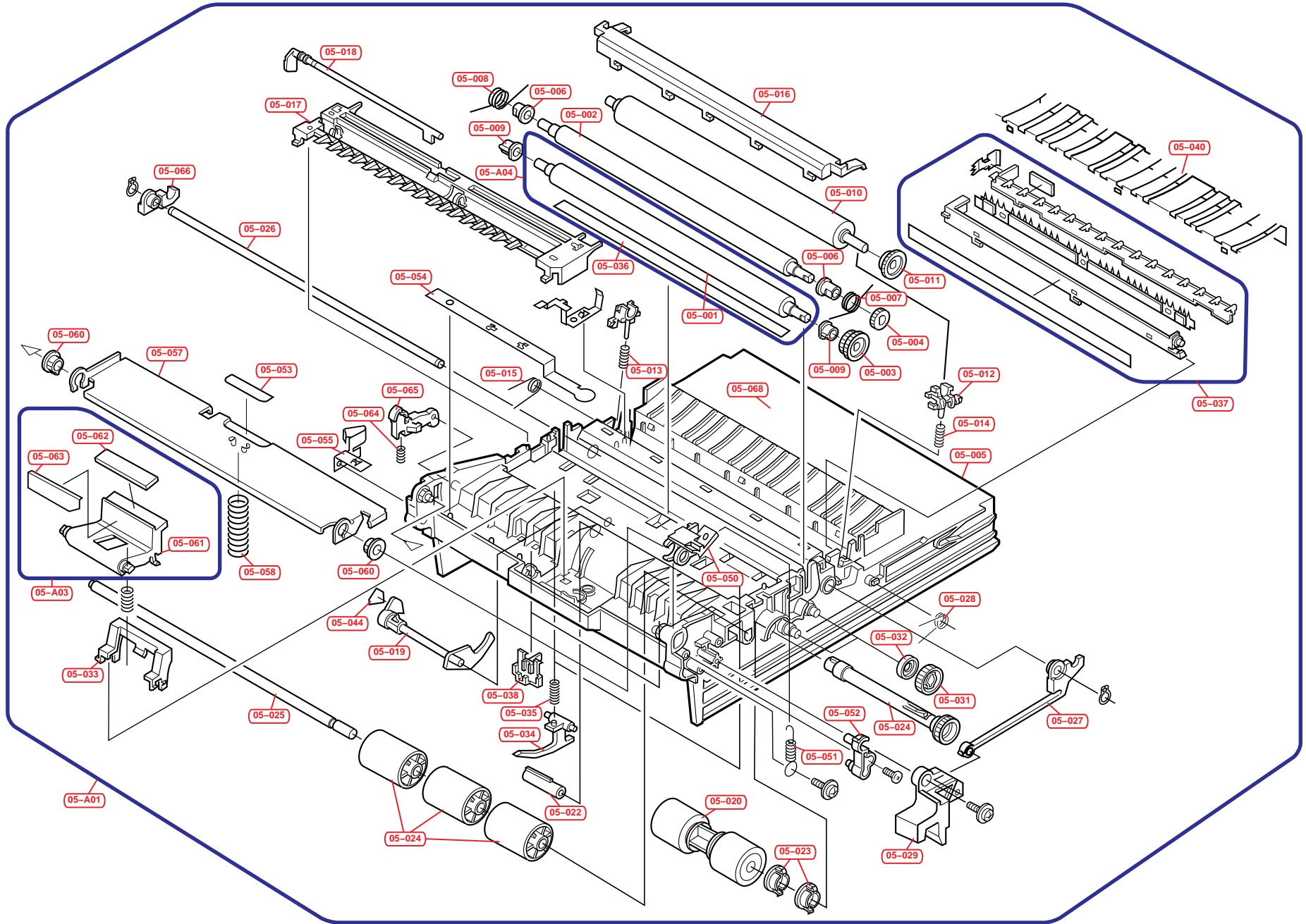
N°	Référence	Description
<b>03-001</b>	<b>AYLS66J*34</b>	<b>DRIVE UNIT</b>
03-002	MX875SL004	PLATE DRIVE
<b>03-003</b>	<b>YYALAAJ01**01</b>	<b>CLUTCH REGIST</b>
<b>03-004</b>	<b>YYAFAAM01**01</b>	<b>CLUTCH FEED</b>
03-005	VG169DN026	GEAR Z78H-Z24H
03-006	VG169DN024	GEAR Z55H-Z31H
03-007	VG158DN030	GEAR Z41H
03-009	VG148NN006	GEAR Z39H
03-010	VG158DN032	GEAR Z44S A
03-011	VG148NN005	GEAR Z34S
03-012	VG169DN025	GEAR Z96H-Z21H
03-013	VG158DN029	GEAR Z41H-Z25H
03-014	VG148DN040	GEAR Z33H
03-015	VG159DN010	GEAR Z50H-Z49S
03-017	VG158DN031	GERA Z46S B
03-018	VG158DN033	GEAR Z45S
03-020	VG138DN021	GEAR CLUTCH Z26S
03-021	VG137DN025	GEAR Z24S
03-022	MW361LD011	SPRING FREE
03-024	MS747SD002	PLATE CLUTCH
03-025	VB764DN001	HOLDER CLUTCH
03-026	MX532SL013	PLATE JOINT CL
03-028	MT665SD001	SHAFT CLUTCH
03-029	MM176DB008	BUSHING STOP
03-030	MW261LD006	SPRING JOINT
03-031	MX431LD004	PLATE EARTH DRIVE
03-033	VM176DB012	BUSH POM B
03-034	MM165CJ005	BUSHING SBK
03-035	ACCNQR4GEA	CONN. CORD ASSY
03-036	SP01000100*01	PUSH SWITCH

Fig.4 – Contrôleur



N°	Référence	Description
04-001	MB986SD003	BOX CONTROLLER
04-002	VB876SB015	BRACKET PWB
04-003	VB743SB004	BRACKET SIZE CASS B
04-004	VX221RB005	FOOT
04-005	MB982SD001	LID CONTROLLER
04-006	MB961SD001	PANEL REAR
04-007	VX332DN003	ACTUATOR SIZE CASS A
04-008	ML854SD002	COVER CONTROLLER
04-010	MS636SD009	PLATE OPTION
04-011	MX622LD001	PLATE RELEASE CONT
04-012	VX433DB005	ACTUATOR SIZE CASS B
04-013	VB743SL001	RAIL OPTION L
04-014	VB743SL002	RAIL OPTION R
<b>04-015</b>	<b>APRIFC2008AH</b>	<b>PWB Assy KP-616 Connect</b>
04-016	MT263SN012	SCREW OP
04-017	SP01000101*01	PUSH SWITCH
04-018	ACCNQL5GEA	CONN.CORD ASSY
04-019	APRLGR4003BH	PWB ASSY KP-613 main
<b>04-019</b>	<b>APRLGR4003AH</b>	<b>PWB ASSY KP-613 main Japan</b>
<b>04-020</b>	<b>AEZ6700E*1</b>	<b>SWITCHING REGULATOR 240V</b>
04-021	ACCNQL6GEA	CONN.CORD ASSY
<b>04-022</b>	<b>APRCZR2006CH</b>	<b>PWB ASSY KP-614 engine</b>
04-025	ZNF2405002*01	FAN MOTOR
04-026	VX842SH004	COVER CABLE
04-027	ACCNQQ9GEA	CONN.CORD ASSY
04-028	VS332KF004	SHEET BOX SIDE
04-030	APRMEG4019NH	P.W.BOARD ASSY KP-610
04-A01	AYLS67J*01	BOX CONT ASSY
04-A02	AYLS67J*02	PANEL REAR ASSY
04-A03	AYLS67J*03	COVER CONT ASSY

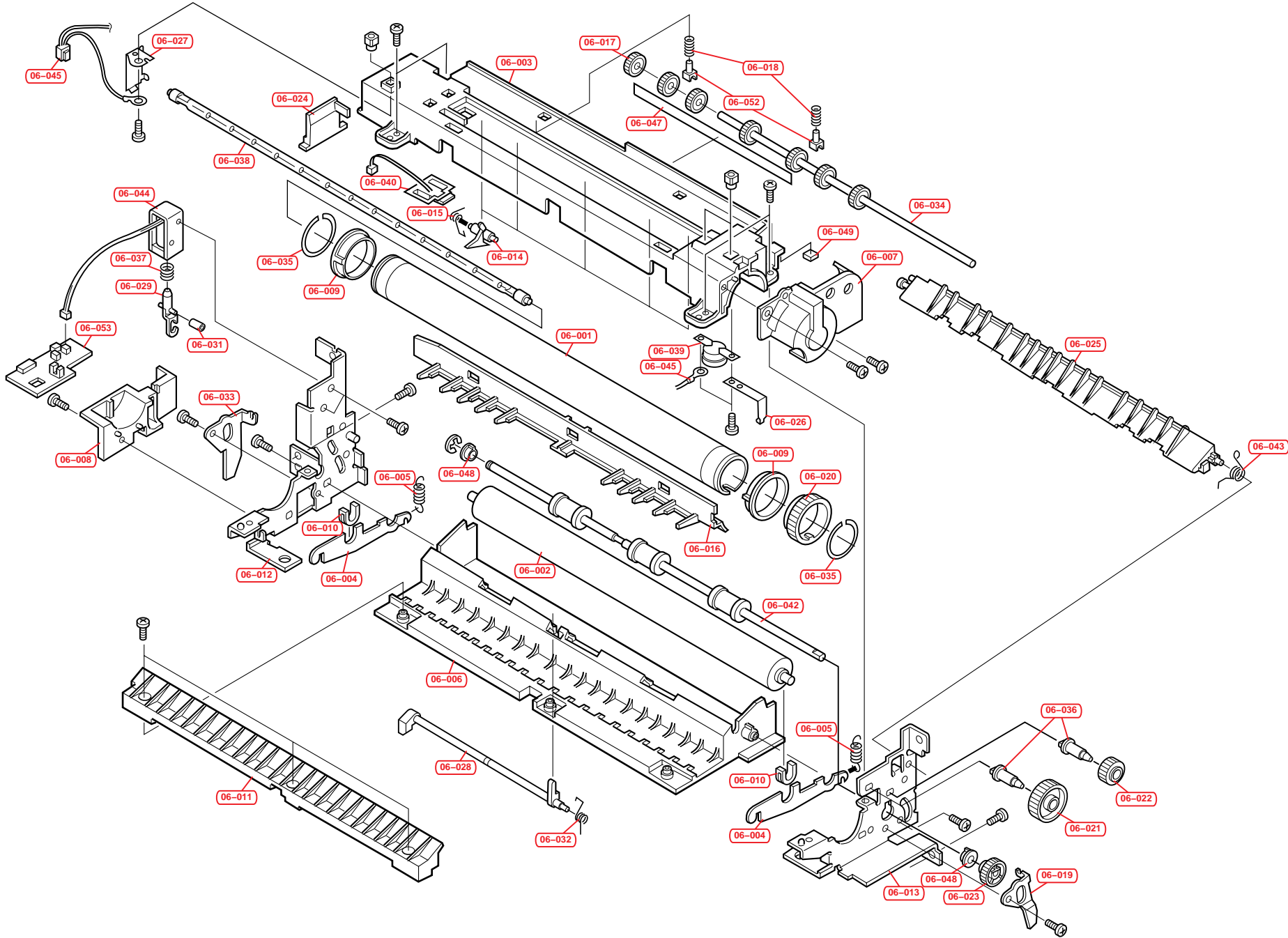
Fig.5 – Entraînement Papier



<b>N°</b>	<b>Référence</b>	<b>Description</b>
05-001	MT876SN058	ROLLER REGIST LOW
05-002	MT876SN059	ROLLER REGIST UP
05-003	VG148DB032	GEAR REGIST Z24-Z32
05-004	VG137DB064	GEAR REGIST Z24
05-005	VB887CB002	BASE FEED
05-006	VM276DB011	BUSH REGIST A
05-007	MW172SX005	SPRING REGIST R
05-008	MW172LD008	SPRING REGIST L
05-009	VM176DN019	BUSH POM A
05-010	MT886SN016	ROLLER TRANSFER
05-011	VG138DB064	GEAR TC Z25S
05-012	VX331DB007	BUSH TRANSFER
05-013	MW241SX004	SPRING TRANS L
05-014	MW241SX005	SPRING TRANS R
05-015	MW161LD039	SPRING HINGE L
05-016	VB832XB001	PAPER CHUTE
05-017	VX862SB004	GUIDE PAPER
05-018	VX721SB002	ACTUATOR FEED
05-019	VX721SD001	ACTUATOR EMPTY
05-020	AVROLL*027	FEED ROLL ASSY
05-021	VG137DB068	GEAR FEED Z24S
05-022	VM410DB001	HOLDER ROLLER FEED
05-023	VM177DW002	BUSH FEED
05-024	VM687DB001	ROLLER GUIDE
05-025	MT866SN027	SHAFT FEED
05-026	MT866SN029	SHAFT RELEASE
05-027	VX742DB001	LINK LOCK
05-028	MW161LD040	SPRING HINGE R
05-029	VX664SW002	LEVER LOCK
05-030	MX643LD003	PLATE EARTH TC
05-031	VG138DB060	GEAR IDLE Z26
05-032	VM121DB001	COLLER JOINT
05-033	VX643DB004	GUIDE FEED B
05-034	VX643DN001	GUIDE PAPER FEED
05-035	MW241LD016	SPRING GUIDE
05-036	VS822KF010	SHEET REGIST
05-037	AY6500J*74	BRUSH DC ASSY
05-038	VX332DB011	GUIDE FEED
05-040	MU862SD005	PLATE PAPER GUIDE
05-044	MS211AX001	SEAL ACTUATOR
05-050	VX333DN002	CAM M/P B
05-051	MW461SC001	SPRING M/P BOTTOM
05-052	VX322SB019	BRACKET BOTTOM
05-053	VS517XF002	PAD BOTTOM
05-054	MZ721SD001	PLATE EARTH M/P

N°	Référence	Description
05-055	ML443LD002	PLATE EARTH FEED
05-056	MW361LD013	SPRING SEPARATOR
05-057	MU851SC001	BOTTOM M/P
05-058	MW671SC001	SPRING BOTTOM M/P
05-060	VM176DB008	BUSHING STOP
05-061	VX663SB012	SEPARATOR M/P
05-062	VS617RF008	PAD SEPARATOR
05-063	MS622SD002	PLATE SEPARATOR
05-064	MW261LD022	SPRING FUSER
05-065	VX532DB005	LOCK M/P
05-066	VX421DB007	HINGE LOCK L
05-068	VVL761WN41	LABEL CAUTION FE
<b>05-A01</b>	<b>AYLS66J*09</b>	<b>PAPER FEED ASSY</b>
05-A03	AYLS66J*40	SEPARATOR M/P ASSY
05-A04	AYLS67J*04	REGIST LOW ASSY

Fig.6 – Unité de fusion

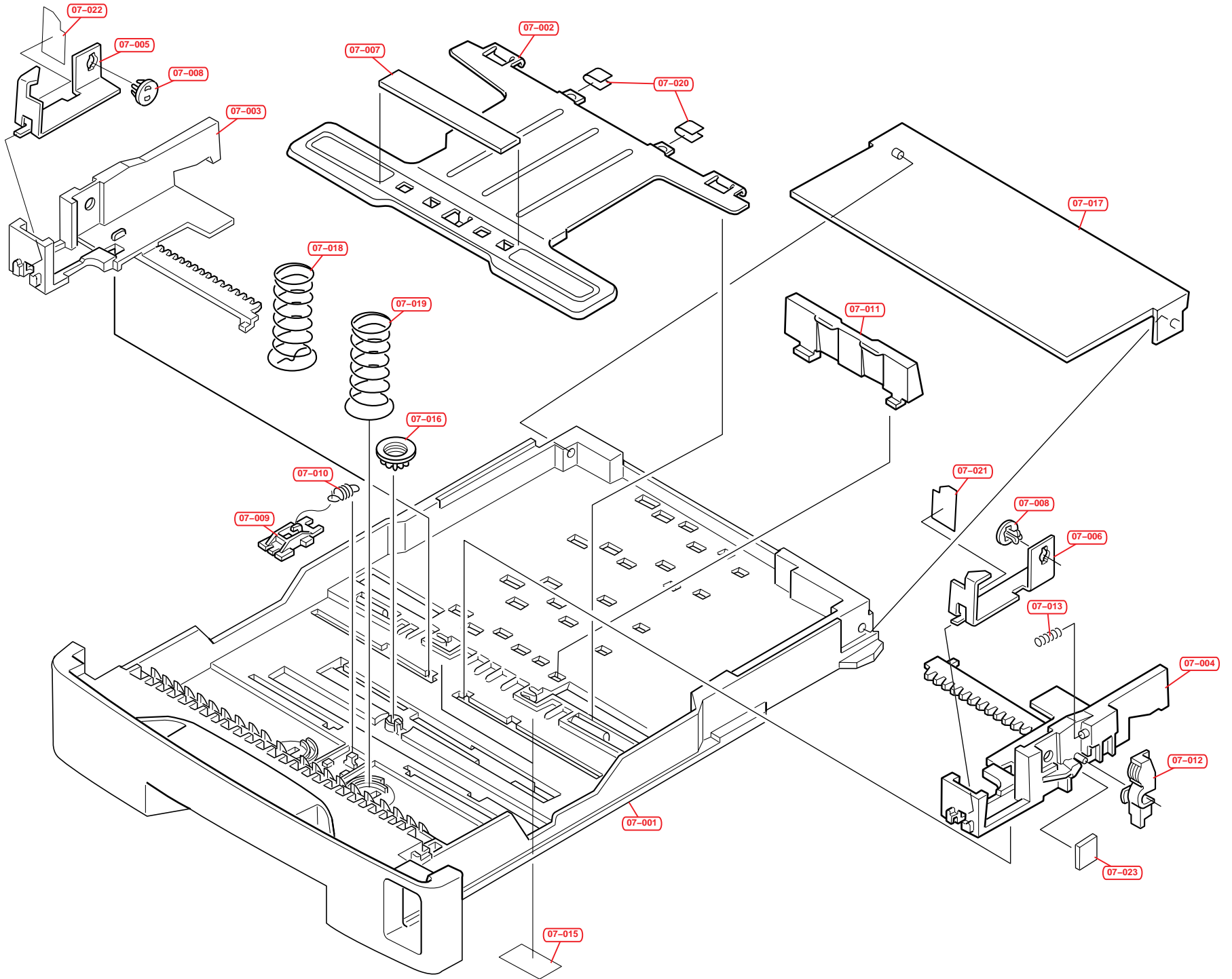




N°	Référence	Description
	<b>FK-25</b>	<b>FUSER UNIT</b>
06-001	MT888AX014	ROLLER HEAT
06-002	MT886SN017	ROLLER PRESS
06-003	VB864KB004	FRAME FUSER UP
06-004	MS627SD003	PLATE PRESS
06-005	MW261SX009	SPRING PRESS
06-006	VX875KB002	FRAME FUSER LOW
06-007	VB663KB002	COVER FUSER R
06-008	VX644KB001	COVER FUSER L
06-009	VM188XN012	BUSH HEAT
06-010	VM166XN001	BUSH PRESS
06-011	VB833KB001	PAPER CHUTE FUSER
06-012	MX766SL008	PLATE FUSER L
06-013	MX766SL009	PLATE FUSER R
06-014	VX222XN002	SEPARATOR
06-015	MW261LD032	SPRING SEPARATOR
06-016	VB843KB001	GUIDE FUSER UP
06-017	VM177DB009	PULLEY EXIT
06-018	MW261LD016	SPRING PULLEY
06-019	MS537SD005	PLATE RELEASE R
06-020	VG158XN003	GEAR HEAT Z46
06-021	VG148XN005	GEAR JOINT Z36
06-022	VG127DW004	GEAR IDLE Z16
06-023	VG137DW002	GEAR EXIT Z21
06-024	MX432KB001	SUPPORT LAMP
06-025	VB832CB003	GUIDE CHANGE
06-026	ML143RD001	HOLDER LAMP R
06-027	ML132CD001	HOLDER LAMP
06-028	VX742CB001	ACTUATOR FUSER
06-029	VX311DB009	ACTUATOR SOL
06-031	VM111RB002	RUBBER PIN
06-032	MW261LD017	SPRING ACTUATOR
06-033	MS537SD006	PLATE RELEASE L
06-034	MT833SD001	SHAFT EXIT
06-035	MW381SJ001	RING STOP
06-036	VT366DB001	PIN FUSER
06-037	MW261LJ032	SPRING SOL
06-038		HEATER LAMP 240V
06-039	YFFQ17001Q*01	THERMOSTAT
06-040	AXTM012GEA	THERMISTOR ASSY
06-042	MT875SN011	ROLLER EXIT
06-043	MW361LD010	SPRING CHANGE
06-044	ZSA2401020307	SOLENOID
06-045	ACCNQS0GEA	CONN.CORD
06-045	ACCNQS1GEA	CONN.CORD

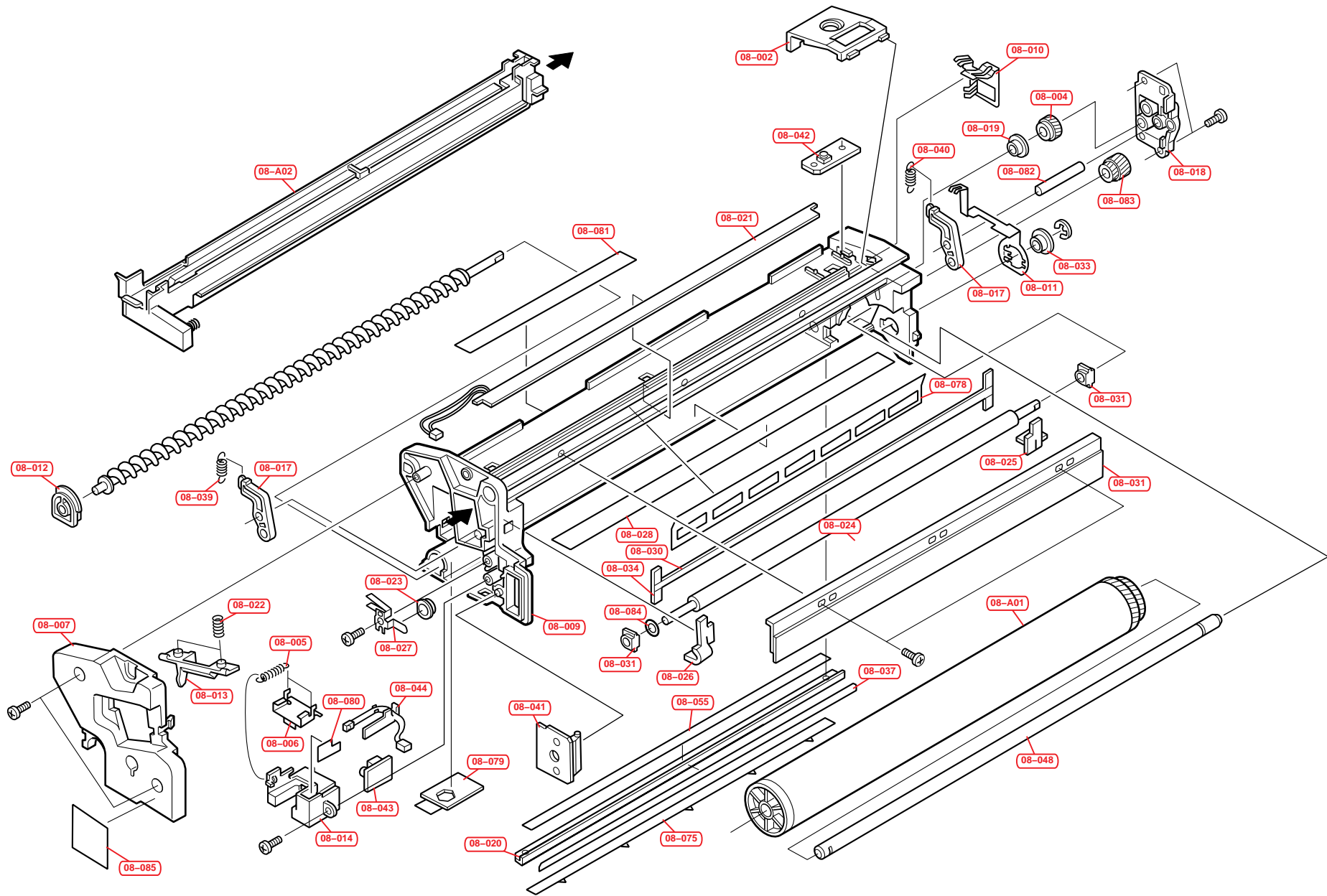
<b>N°</b>	<b>Référence</b>	<b>Description</b>
06-045	ACCNQM1GEA	CONN.CORD
06-047	VVL731WN14	LABEL FUSER CAUTION
06-048	MM176CJ005	BUSHING SBK
06-049	VS111PW001	PAD FUSER
06-052	VF111DN005	BUSH SP
06-053	APRIFC1008BH	PWB Assy KP-499 Fuser

Fig. 7 – Cassette



<b>N°</b>	<b>Référence</b>	<b>Description</b>
<b>07-001</b>	<b>PC26-A4</b>	<b>PAPER CASSETTE</b>
07-002	MX882SD001	BOTTOM CASSETTE
07-003	VX775SH008	GUIDE CASSETTE L
07-004	VX775SH007	GUIDE CASSETTE R
07-005	ML634SW002	NAIL L
07-006	ML634SW001	NAIL R
07-007	VS726XN001	PAD SEPARATOR
07-008	VM176DN025	PIN NAIL
07-009	VX421DW001	LOCK BOTTOM
07-010	MW411LD002	SP STOPPER BOTTOM
07-011	VB742SH003	STOPPER CASS SIZE
07-012	VX521SH002	LEVER LOCK
07-013	MW251LD031	SPRING LEVER SIDE
07-015	VS534VF001	SEAL CASSETTE
07-016	VG127DH112	GEAR GUIDE SIDE
07-017	VB873SH027	LID CASSETTE
07-018	MW681LD003	SPRING CASSETTE L
07-019	MW681LD004	SPRING CASSETTE R
07-020	VS321KF039	SHEET PLATE BOTTOM
07-021	VS432KF006	SHEET NAIL L
07-022	VS432KF007	SHEET NAIL R
07-023	VS432KF005	SHEET GUIDE

Fig.8 – Tambour



<b>N°</b>	<b>Référence</b>	<b>Description</b>
	<b>DK-25</b>	<b>DRUM UNIT</b>
08-002	VB863SB020	COVER DRUM UP
08-004	VG127DN056	GEAR SCREW Z18H
08-005	MW251SX001	SPRING SHUTTER
08-006	MC231LD002	SHUTTER WASTE
08-007	VX663SB011	COVER DRUM LEFT
08-009	VB966CB002	FRAME DRUM
08-010	MX332LD008	CONTACT ZENNER
08-011	MX652LD001	PLATE EARTH DRUM
08-012	VM122DN001	BUSH SCREW
08-013	VX621SB008	LOCK MCH
08-014	VB543SB004	BRACKET SENSOR
08-016	AVBLADE029	BLADE ASSY
08-017	VX431DN002	ARM ROLL CLN
08-018	VB632DB001	BRACKET GEAR
08-019	VM676XN001	BUSH SCREW
08-020	ML821SD006	BRACKET SHEET
08-021	AXLD029GEA	LED ARRAY
08-022	MW154LD004	SPRING LOCK MCH
08-023	VM176DB015	BUSH DRUM L
08-024	MT875XN001	ROLL CLN
08-025	VS618RF017	SEAL DRUM RIGHT
08-026	VS628RF011	SEAL DRUM L
08-027	MZ232LD001	PLATE EARTH CLN
08-028	VS822KF012	SHEET SCRAPER
08-030	VS817RF017	SEAL BLADE B
08-031	VB111XN001	BUSH CLN
08-033	VM276CB001	BUSH DRUM R
08-034	VS317RF010	SEAL BLADE
08-037	VS861RF001	SHEET DRUM
08-038	VT676CB002	SCREW DRUM
08-039	MW251LD035	SPRING CLN L
08-040	MW251LD036	SPRING CLN R
08-041	APRIFC1012AH	PWB Assy KP-500 drum count
08-042	APRIFC1047AH	PWB Assy KP-501 zenner
08-043	APRSSC1014AH	PWB Assy KP-506 toner-full
08-044	ACCNPR7GEA	CONN CORD ASSY
08-048	MT960SN002	SHAFT DRUM
08-052	VS418SB001	SPACER LED
08-055	VS863AF001	TAPE PLATE DRUM
08-075	AVSHEET001	SHEET ASSY
08-078	VS843KC001	SHEET SEPARATOR
08-079	VS628LN002	SEAL SHUTTER
08-080	VS211KF045	SEAL BKT SENSOR
08-081	MS821AX001	SHEET HEAT DRUM

<b>N°</b>	<b>Référence</b>	<b>Description</b>
08-082	MT566SN005	PIN GEAR
08-083	VG127DN061	GEAR CLN Z16H-Z14H
08-084	BWK56952NN	POLY SLIDER
08-085	VVL331WN13	LABEL DRUM
08-A01	AYLS66J*17	DRUM ASSY
08-A02	AYLS66J*18	MCH ASSY

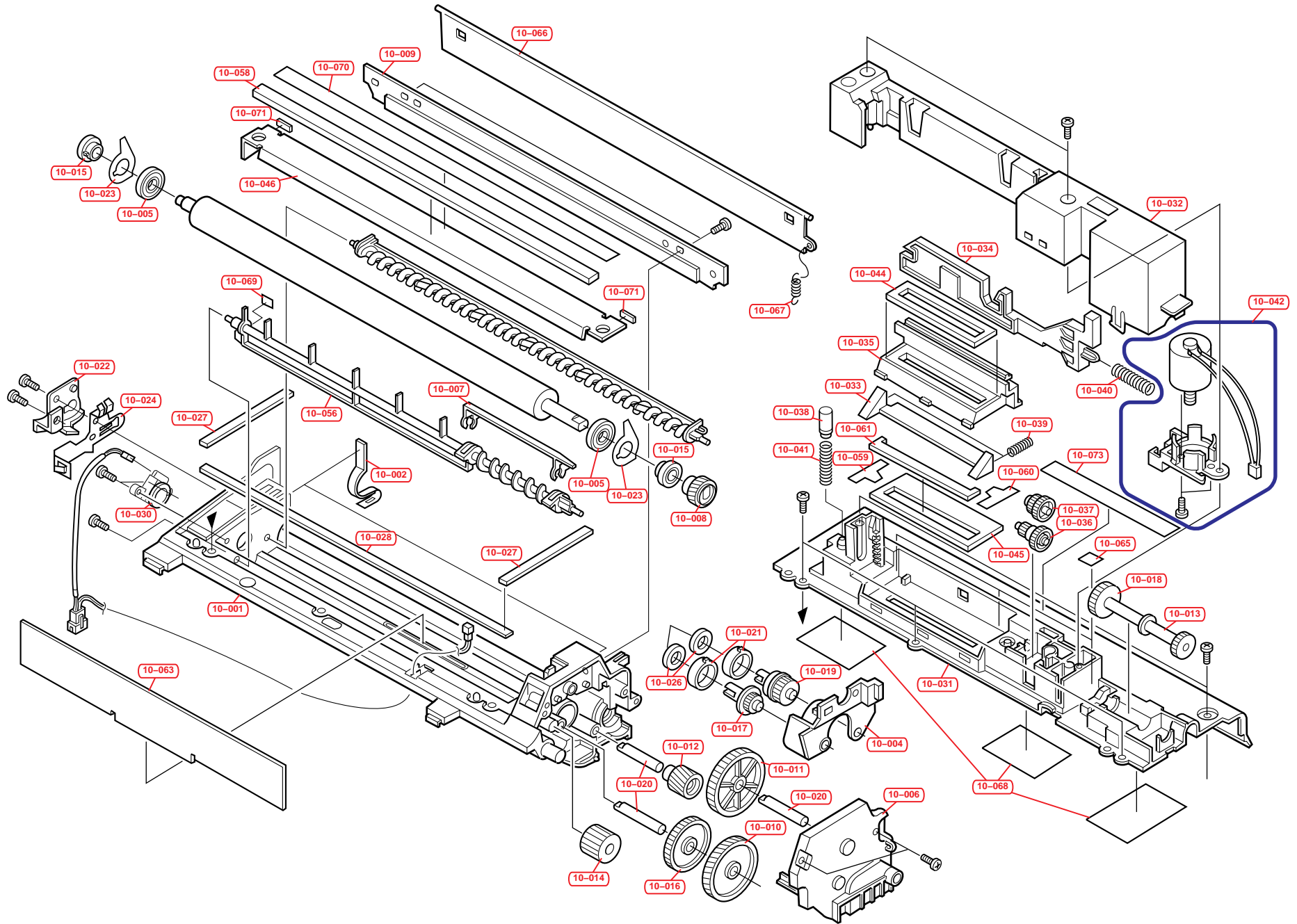
**NO  
DRAWING  
AVAILABLE**

Fig.9 – Scanner



<b>N°</b>	<b>Référence</b>	<b>Description</b>
	<b>LK-25</b>	<b>SCANNER UNIT</b>
09-001	AXMT032GEA	POLYGON MOTOR ASSY
09-002	APRAPR2004AH	P.W.BOARD ASSY
09-005	VX322AC002	CYLINDER LENS 22
09-006	VX622AC002	F LENS A 22
09-007	VX732AC001	F LENS B 22
09-008	VX322CB004	BRACKET ST.
09-009	VS819GX001	MIRROR A 22
09-010	VS817GC002	COVER GLASS 22
09-011	MX522LD009	EARTH POLYGON
09-014	VB874CB001	FRAME SCANNER
09-015	VB874SB006	COVER SCANNER
09-016	MX224LD001	SPRING MIRROR A
09-017	APRSSC1022AH	P.W.BOARD ASSY
09-018	ACCNQM8GEA	CONN.CORD
09-019	ACCNQM7GEA	CONN.CORD
09-020	VVL751WN13	LABEL LASER CAUTION
09-021	VS767RF006	SEAL POLYGON
09-022	VX111GC004	COLLIMATE LENS
09-023	VB111CB001	HOLDER COLLIMATE
09-024	VB111CB003	HOLDER LENS A
09-A01	AYLS66J*07	FRAME SCANNER ASSY
09-A02	AYLS66J*08	COVER SCANNER ASSY
09-A03	AYLS66J*39	FRAME SCAN SUB ASSY
09-A04	AYLS66J*05	COLLIMATE LENS ASSY

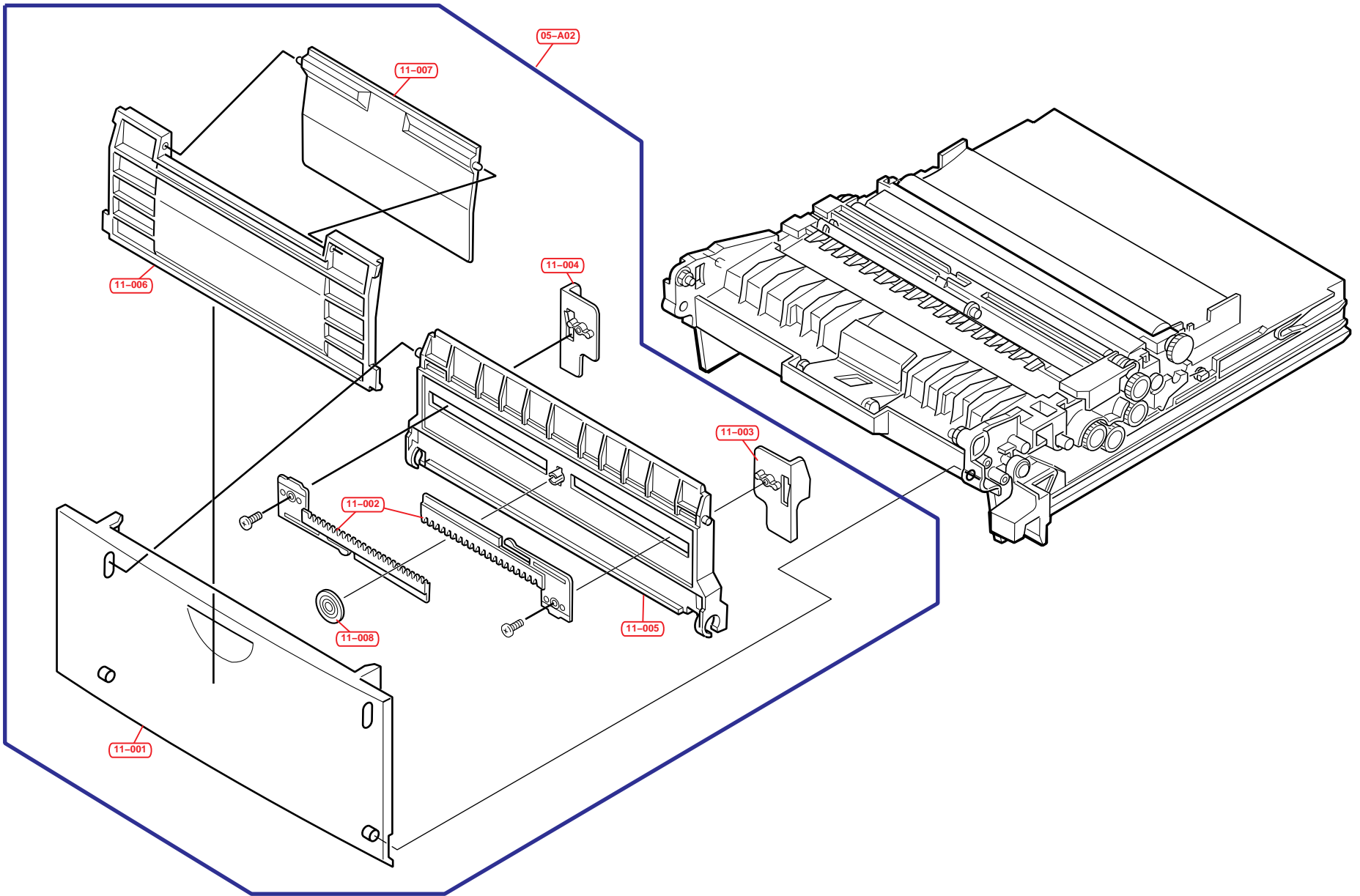
Fig. 10 – Unité de développement



<b>N°</b>	<b>Référence</b>	<b>Description</b>
	<b>DV-25</b>	<b>DEVELOPER UNIT</b>
10-001	VB876SB014	CASE DLP
10-002	VS618TF003	SEAL SIDE DLP
10-003	AVROLER034	ROLLER MAGNET
10-004	VB644CB001	HOLDER DLP GEAR
10-005	VM187DB007	PULLEY DLP
10-006	VX661SB008	COVER DLP R
10-007	VX621SB009	SCRAPER B DLP
10-008	VG127DB041	GEAR Z19H
10-009	MU833LD001	BLADE DLP
10-010	VG169DN023	GEAR DLP Z51H-Z15S
10-011	VG169DN027	GEAR DLP Z53S-Z23S
10-012	VG127DN055	GERA DLP Z18H
10-013	VG127DN054	GEAR DLP Z18S
10-014	VG137DN026	GEAR DLP Z22S
10-015	VM177XN005	BUSH MAG
10-016	VG158DN035	GEAR DLP Z45S-Z22S
10-017	VG127DN052	GEAR DLP Z14S
10-018	VG138DN040	GEAR DLP Z21S
10-019	VG127DN051	GEAR DLP Z17S
10-020	MT555SN002	PIN DLP B
10-021	VM177XN004	BUSH SCRAPER
10-022	VZ321CB001	CAP MAG L
10-023	MS321SD001	PLATE MAG
10-024	MZ642LD001	PLATE BIAS
10-026	VS708XF001	SEAL SCRAPER
10-027	VS618RF016	SEAL LID A
10-028	VS818RF013	SEAL LID B
10-029	VS618TF002	SEAL SIDE DLP R
10-030	NXTSP15A10*01	TONER SENSOR
10-031	VX866SB013	LID DLP
10-032	VB864SB014	COVER DLP
10-033	VX622DB003	SHUTTER DLP
10-034	VX751DG001	LEVER DLP
10-035	VX652SB010	COVER SHUTTER
10-036	VG026DN001	WORM WHEEL H26-Z14
10-037	VG137DB056	GEAR IDLE Z30-Z15
10-038	VM211SB003	CAP DLP
10-039	MW451LJ002	SPRING SHUTTER
10-040	MW466SD001	SPRING LEVER
10-041	MW461LD007	SPRING LID
10-042	AY1700E*38	TONER MOTOR ASSY
10-043	VT863SB001	SCREW F DLP
10-044	VS638RF005	SEAL SHUTTER A
10-045	VS648RF006	SEAL SHUTTER B

<b>N°</b>	<b>Référence</b>	<b>Description</b>
10-046	MU833SD001	BRACKET BLADE DLP
10-047	VS818RN007	BLADE MAGNET
10-055	MW873LD002	SCRAPER DLP B
10-056	VT883SB001	SCREW B DLP
10-058	VS819RF003	SEAL BLADE
10-059	VS321KF027	SEAL SHUTTER CL
10-060	VS321KF028	SEAL SHUTTER CR
10-061	VS618RF015	SEAL SHUTTER D
10-063	VS737CN001	SEPARATOR DLP
10-064	ACCNPT8GEA	CONN.CORD S02029
10-065	VS222KF010	SEAL LID
10-066	VX843SB004	COVER SLEEVE
10-067	MW141LJ007	SPRING COVER SLV
10-068	VS651KF008	SEAL LID B
10-069	VS111KF034	SPACER SENSOR
10-070	VS811KF021	SHEET BLADE
10-071	VS217RF021	SEAL BRACKET BLADE
10-073	VVL721WN45	LABEL DLP
10-A01	AYLS66J*26	CASE DLP ASSY
10-A02	AYLS66J*13	LID DLP ASSY
10-A03	AYLS66J*14	BLADE DLP ASSY

Fig.11 – Chargeur universel



<b>N°</b>	<b>Référence</b>	<b>Description</b>
11-001	VB873SH026	COVER M/P
11-002	VS748SH004	RACK M/P
11-003	VX652SH002	GUIDE M/P R
11-004	VX652SH003	GUIDE M/P L
11-005	VX872SH003	TRAY M/P A
11-006	VB872SH017	TRAY M/P B
11-007	VS771SH001	TRAY M/P C
11-008	VG127DN053	GEAR M/P
<b>05-A02</b>	<b>AYLS66J*10</b>	<b>MULTI FEED ASSY</b>