

GENERAL SERVICE PART FOR MODEL FS-680

REV. 1.00 99.02.23.

1. The Ref. no's corresponds to the same numbers in the exploded diagram on the subsequent pages.
2. The availability for ISP (Initially-Supplied Parts) differs depending on the destination. For details, refer to the ISP List supplied specifically by Kyocera.
3. Those parts bearing numbers in the diagram but not listed in the catalogue are not suppliable as a general supply part.
4. Dates are indicated as yy.mm.dd.

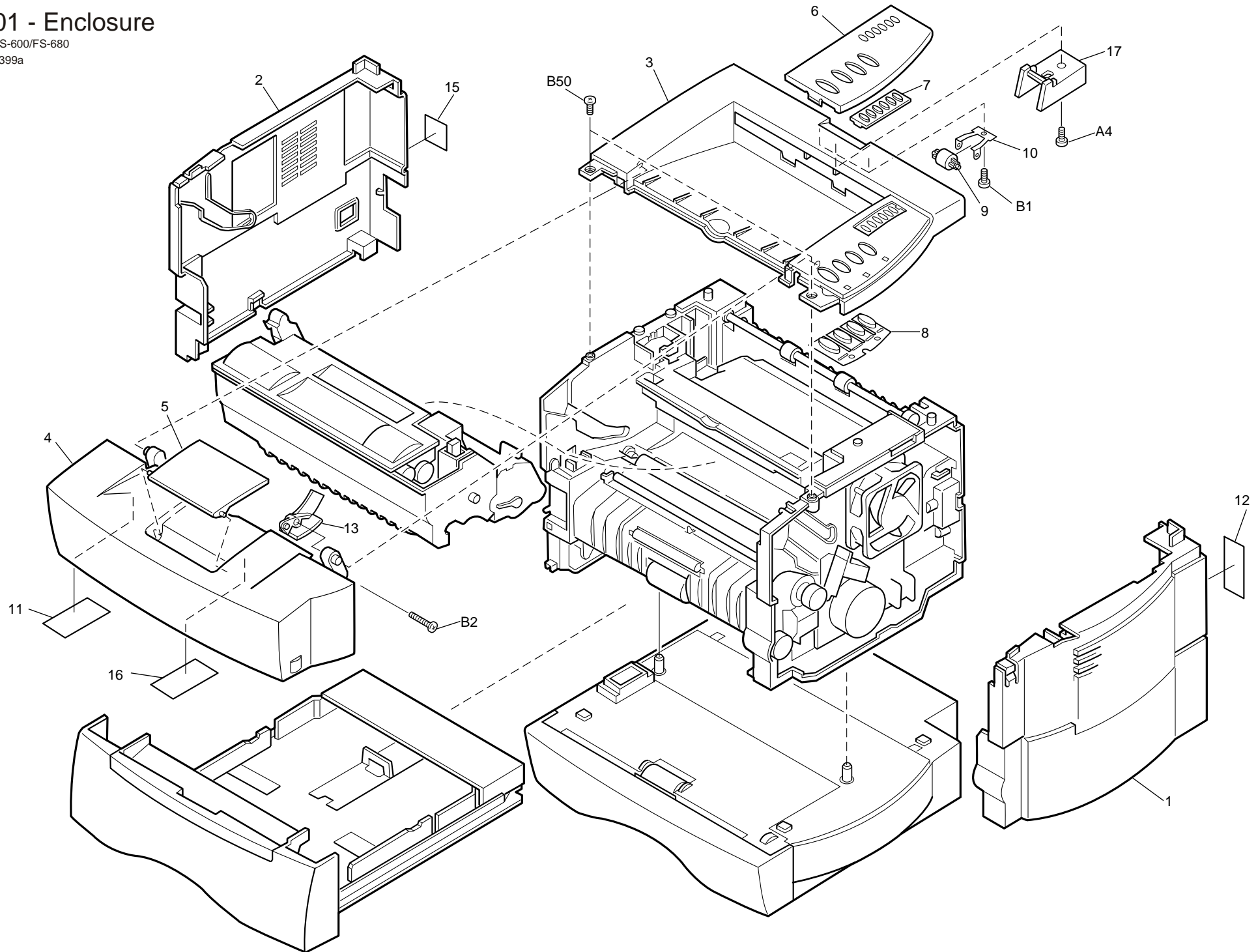
ACCESSORIES AND MODULES

REF.NO	PART CODE	DESCRIPTION	ISP	USED	FS-680						CHINA	TWN	NOTE
					KEE	KEU	KEF	KEA	KEI				
	5AACAC428EEA	AC CORD ASSY		1	Yes	No	Yes	No	No	No	No	KC-015A+KC-003	
	5AAK680E**02	PACKING ASSY		1	Yes	Yes	Yes	Yes	No	No	No		
	5AAMDK5P**01	CLEANING KIT C		1	Yes	Yes	Yes	Yes	Yes	Yes	Yes		
	5AAVC0VER227	LID TOP ASSY E		1	Yes	Yes	Yes	Yes	No	No	Yes		
	5AAVCASET202	CASSETTE ASSY		1	Yes	Yes	Yes	Yes	Yes	Yes	Yes		
	5AAVPULLY014	PULLEY FEED ASSY		1	Yes	Yes	Yes	Yes	Yes	Yes	Yes		
	5AAY1700E*28	PIN SIZE ASSY		1	Yes	Yes	Yes	Yes	Yes	Yes	Yes		
	5AAYFS600E16	HOLDER FEED ASSY		1	Yes	Yes	Yes	Yes	Yes	Yes	Yes		
	5AAYFS600E17	REGIST ASSY		1	Yes	Yes	Yes	Yes	Yes	Yes	Yes		
	5AAYFS600E27	MANUAL TRAY ASSY		1	Yes	Yes	Yes	Yes	Yes	Yes	Yes		
	5AAYFS600E28	SEPARATOR ASSY		1	Yes	Yes	Yes	Yes	Yes	Yes	Yes		
	5AAYFS600E29	BOTTOM CASSETTE ASSY		1	Yes	Yes	Yes	Yes	Yes	Yes	Yes		
	5KKS680E**01	OUTER CARTON		1	Yes	Yes	Yes	Yes	No	No	No		
	5MMW161LD033	SPRING LOCK L		1	Yes	Yes	Yes	Yes	Yes	Yes	Yes		
	5MMW161LD034	SPRING LOCK R		1	Yes	Yes	Yes	Yes	Yes	Yes	Yes		
	5MMW371LD004	SPRING FEED ROLL		1	Yes	Yes	Yes	Yes	Yes	Yes	Yes		
	5MMW391LD001	SPRING BOTTOM		2	Yes	Yes	Yes	Yes	Yes	Yes	Yes		
	5MMX875SD004	LID CONTROLLER		1	Yes	Yes	Yes	Yes	Yes	Yes	Yes		
	5MMX883SD003	BOTTOM CONTROLLER		1	Yes	Yes	Yes	Yes	Yes	Yes	Yes		
	5MVB862SH013	BASE MANUAL		1	Yes	Yes	Yes	Yes	Yes	Yes	Yes		
	5MVB872SH016	BOTTOM CASSETTE		1	Yes	Yes	Yes	Yes	Yes	Yes	Yes		
	5MVB873SH025	COVER REAR		1	Yes	Yes	Yes	Yes	Yes	Yes	Yes		
	5MVF233PC001	CAP CONTAINER		1	Yes	Yes	Yes	Yes	Yes	Yes	Yes		
	5MVG127SH003	GEAR MANUAL		1	Yes	Yes	Yes	Yes	Yes	Yes	Yes		
	5MVG127SH003	GEAR MANUAL		1	Yes	Yes	Yes	Yes	Yes	Yes	Yes		
	5MVG138DN039	GEAR Z19S-Z25S		1	Yes	Yes	Yes	Yes	Yes	Yes	Yes		
	5MVM677SB001	PULLEY FEED ROLL		1	Yes	Yes	Yes	Yes	Yes	Yes	Yes		
	5MVQ733SB001	GUIDE OPTION L		1	Yes	Yes	Yes	Yes	Yes	Yes	Yes		
	5MVQ733SB002	GUIDE OPTION R		1	Yes	Yes	Yes	Yes	Yes	Yes	Yes		
	5MVS617WK001	PAD FRICTION		1	Yes	Yes	Yes	Yes	Yes	Yes	Yes		
	5MVS667SH003	TRAY MANUAL		1	Yes	Yes	Yes	Yes	Yes	Yes	Yes		
	5MVS882WE001	SHEET PU-16		1	Yes	Yes	Yes	Yes	Yes	Yes	Yes		
	5MVT476DB001	PIN FEED ROLL		1	Yes	Yes	Yes	Yes	Yes	Yes	Yes		
	5MVU863SH001	COVER CASSETTE		1	Yes	Yes	Yes	Yes	Yes	Yes	Yes		
	5MVX322DW004	LOCK CASSETTE L		1	Yes	Yes	Yes	Yes	Yes	Yes	Yes		
	5MVX322DW005	LOCK CASSETTE R		1	Yes	Yes	Yes	Yes	Yes	Yes	Yes		
	5MVX643DH002	STOPPER PAPER		1	Yes	Yes	Yes	Yes	Yes	Yes	Yes		

REF.NO	PART CODE	DESCRIPTION	ISP	USED	FS-680							NOTE
					KEE	KEU	KEF	KEA	KEI	CHINA	TWN	
	5MVX762SH005	GUIDE MANUAL L		1	Yes	Yes	Yes	Yes	Yes	Yes	Yes	
	5MVX762SH006	GUIDE MANUAL R		1	Yes	Yes	Yes	Yes	Yes	Yes	Yes	
	5MVX773SH003	GUIDE SIDE L		1	Yes	Yes	Yes	Yes	Yes	Yes	Yes	
	5MVX773SH004	GUIDE SIDE R		1	Yes	Yes	Yes	Yes	Yes	Yes	Yes	
	5MVX863SH013	GUIDE TURN		1	Yes	Yes	Yes	Yes	Yes	Yes	Yes	
	5MVX873SH017	TRAY EXIT FU		1	Yes	Yes	Yes	Yes	Yes	Yes	Yes	
	5MVX886SH003	BASE CASSETTE		1	Yes	Yes	Yes	Yes	Yes	Yes	Yes	

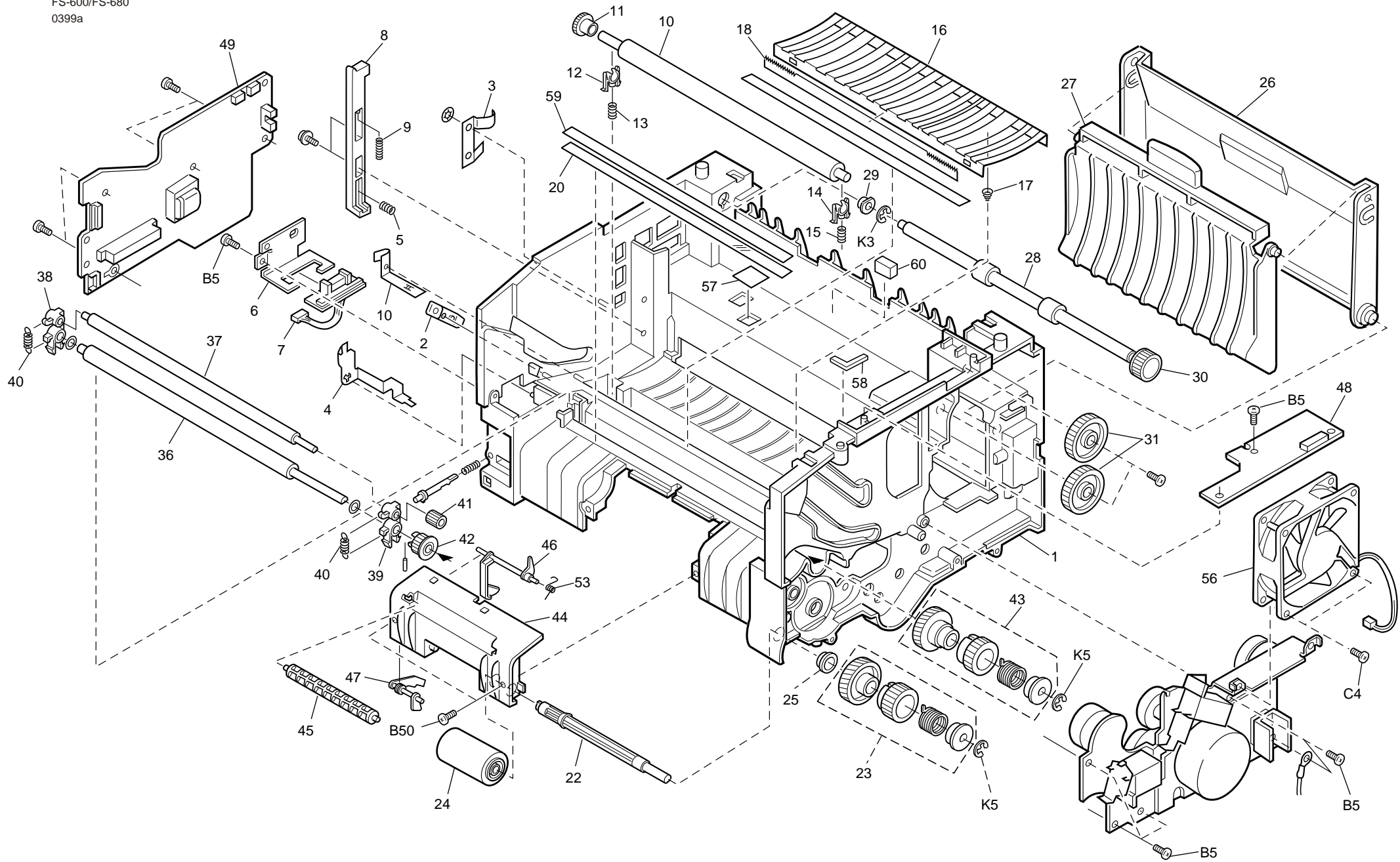
01 - Enclosure

FS-600/FS-680
0399a



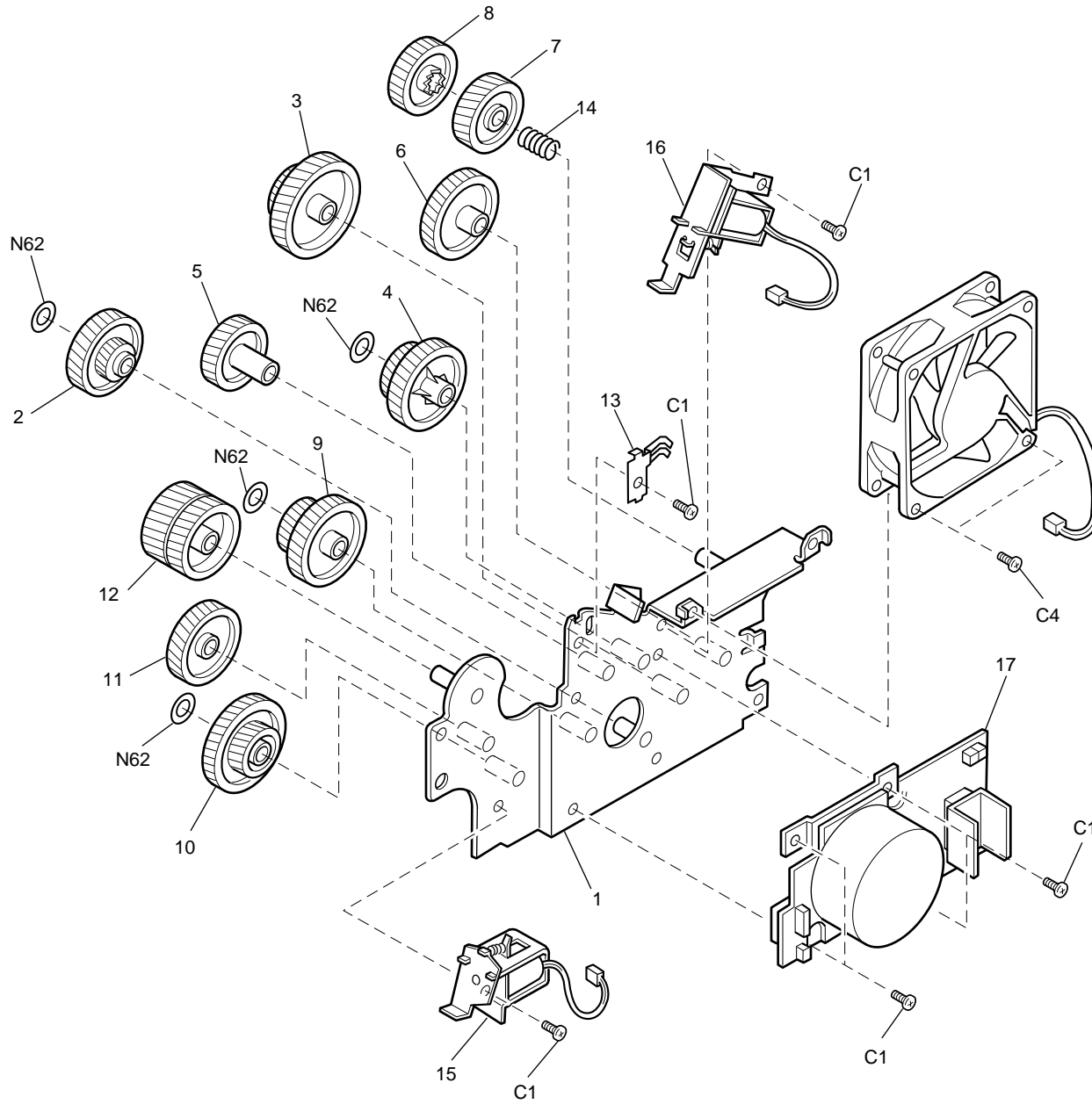
02 - Frame

FS-600/FS-680
0399a



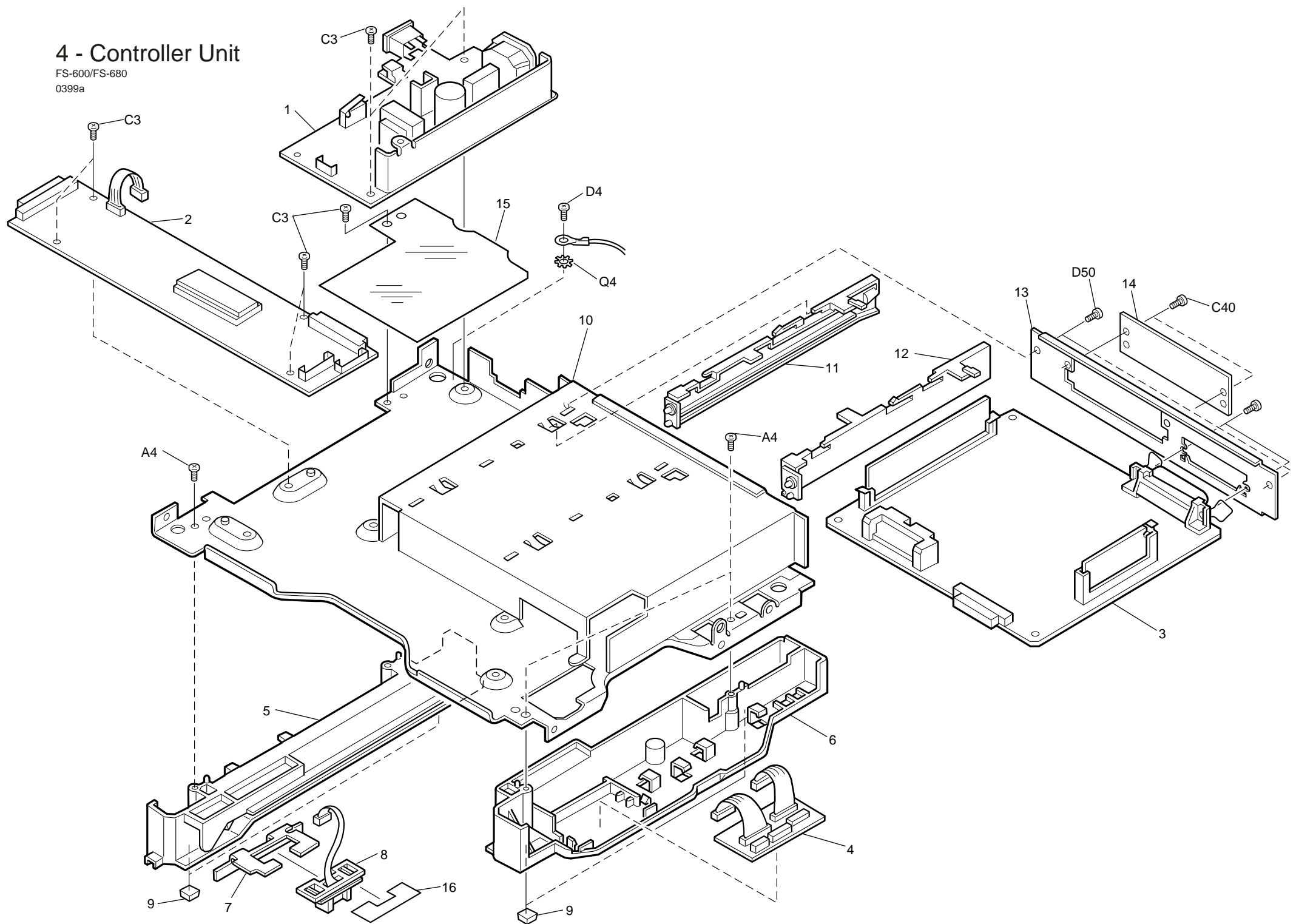
03 - Drive Unit

FS-600/FS-680
0399a



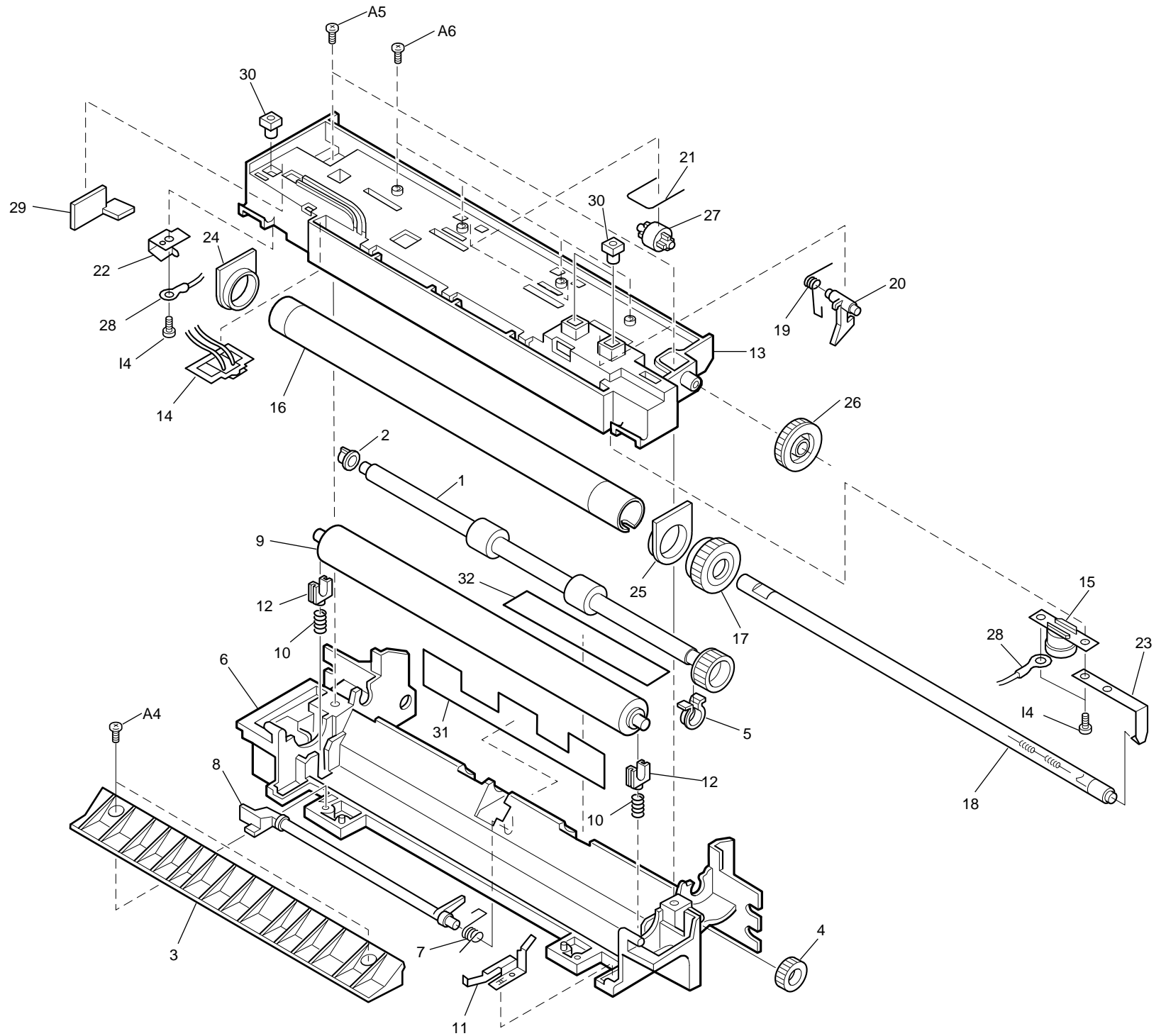
4 - Controller Unit

FS-600/FS-680
0399a



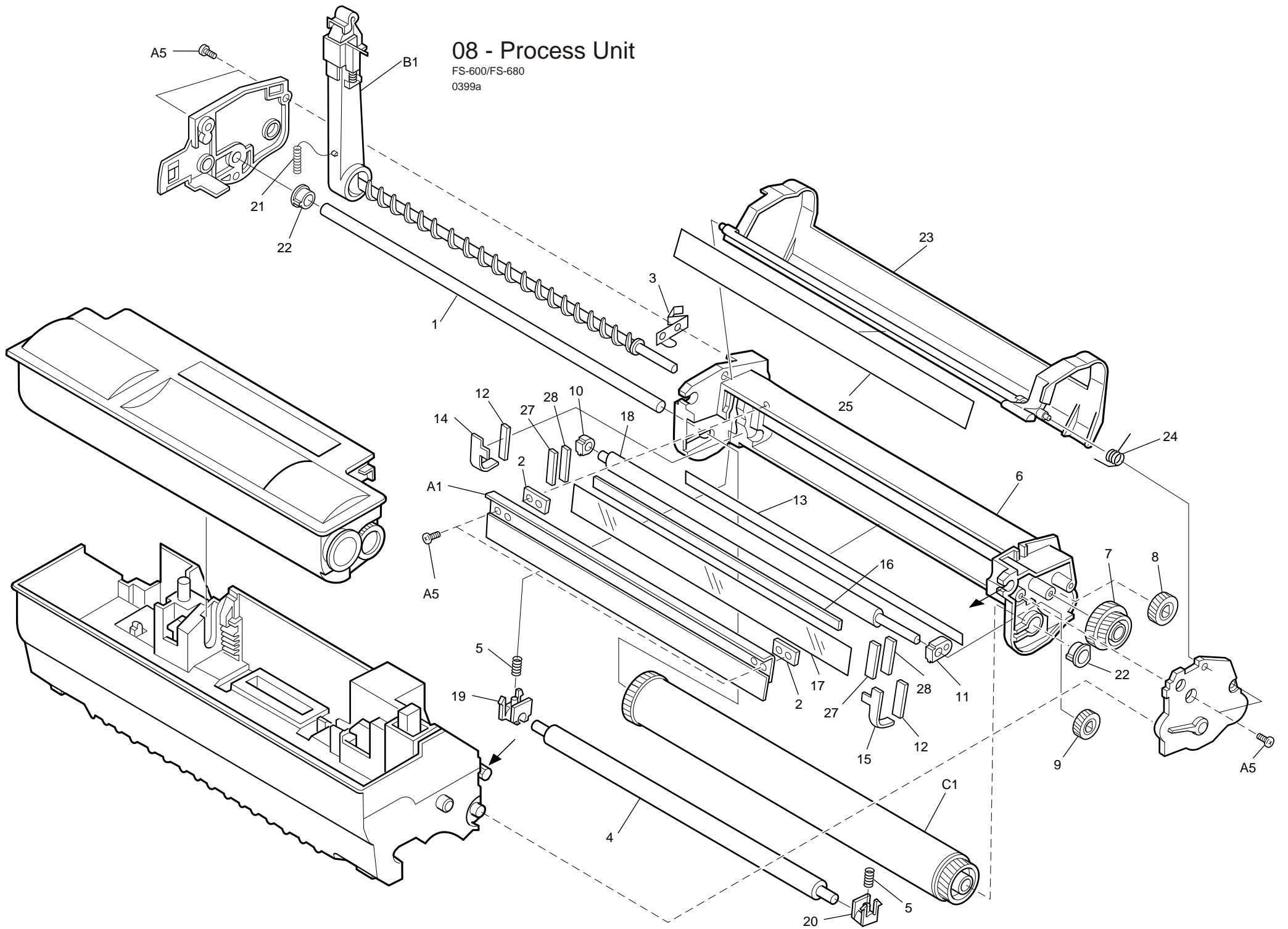
6 - Fuser Unit

FS-600/FS-680
0399a



08 - Process Unit

FS-600/FS-680
0399a



REF.NO	PART CODE	DESCRIPTION	ISP	USED	FS-680						CHINA	TWN	NOTE
					KEE	KEU	KEF	KEA	KEI				
01-001	5MVB886CH006	COVER RIGHT	1	1	Yes	Yes	Yes	Yes	Yes	Yes	Yes		
01-002	5MVB885CH001	COVER LEFT	1	1	Yes	Yes	Yes	Yes	Yes	Yes	Yes		
01-003	5MVB886CH005	COVER TOP		1	Yes	Yes	Yes	Yes	Yes	Yes	Yes		
01-004	5MVB876CH009	LID TOP TM		1	Yes	Yes	Yes	Yes	No	No	Yes		
01-005	5MVX661SH003	TRAY EXIT FD		1	Yes	Yes	Yes	Yes	Yes	Yes	Yes		
01-006	5MVX762SH004	PANEL TOP		1	Yes	Yes	Yes	Yes	Yes	Yes	Yes		
01-007	5MVX621SC001	COVER LED		1	Yes	Yes	Yes	Yes	Yes	Yes	Yes		
01-008	5MVX662SB018	BOTTON		1	Yes	Yes	Yes	Yes	Yes	Yes	Yes		
01-009	5MVM273DB003	ROLLER PINCH		2	Yes	Yes	Yes	Yes	Yes	Yes	Yes		
01-010	5MMX322LD018	BKT PULLEY FD		2	Yes	Yes	Yes	Yes	Yes	Yes	Yes		
01-013	5MVX322SH002	LEVER SHUTTER		1	Yes	Yes	Yes	Yes	Yes	Yes	Yes		
01-017	5MVX322DW006	RIB STOCKER		1	Yes	Yes	Yes	Yes	Yes	Yes	Yes		
02-001	5MVB887CB001	FRAME BASE		1	Yes	Yes	Yes	Yes	Yes	Yes	Yes		
02-002	5MMX421LD014	CONTACT BIAS		1	Yes	Yes	Yes	Yes	Yes	Yes	Yes		
02-003	5MMX431LD008	CONTACT MAIN		1	Yes	Yes	Yes	Yes	Yes	Yes	Yes		
02-004	5MMX433LD006	CONTACT EARTH REGIST		1	Yes	Yes	Yes	Yes	Yes	Yes	Yes		
02-005	5MMX522LD011	CONTACT TRANSFER		1	Yes	Yes	Yes	Yes	Yes	Yes	Yes		
02-006	5MML543SL002	PLATE CONNECTOR DLP		1	Yes	Yes	Yes	Yes	Yes	Yes	Yes		
02-007	5MVS531KN001	SHEET INSULATOR		1	Yes	Yes	Yes	Yes	Yes	Yes	Yes		
02-008	5MVQ622SB001	ROD INTERLOCK		1	Yes	Yes	Yes	Yes	Yes	Yes	Yes		
02-009	5MMW261LD024	SPRING INTERLOCK A		1	Yes	Yes	Yes	Yes	Yes	Yes	Yes		
02-010	5MMW261LD029	SPRING INTERLOCK B		1	Yes	Yes	Yes	Yes	Yes	Yes	Yes		
02-010	5MVT443DW001	PIN SIZF SELECT		1	Yes	Yes	Yes	Yes	Yes	Yes	Yes		
02-011	5MMT876SN063	ROLLER TRANSFER	1	1	Yes	Yes	Yes	Yes	Yes	Yes	Yes		
02-011	5MMW241LD012	SPRING SIZE SELECT		1	Yes	Yes	Yes	Yes	Yes	Yes	Yes		
02-012	5MVG127DB035	GEAR TC Z18		1	Yes	Yes	Yes	Yes	Yes	Yes	Yes		
02-013	5MVX221DB010	BUSH TRANSFER R		1	Yes	Yes	Yes	Yes	Yes	Yes	Yes		
02-014	5MVX221DW004	BUSH TRANSFER L		1	Yes	Yes	Yes	Yes	Yes	Yes	Yes		
02-015	5MMW211LD004	SPRING TRANSFER		1	Yes	Yes	Yes	Yes	Yes	Yes	Yes		
02-016	5MMW251SX002	SPRING TRANSFER R		1	Yes	Yes	Yes	Yes	Yes	Yes	Yes		
02-017	5MMC862SD004	PLATE EARTH GUIDE		1	Yes	Yes	Yes	Yes	Yes	Yes	Yes		
02-018	5MMW261LD025	SPRING EARTH		1	Yes	Yes	Yes	Yes	Yes	Yes	Yes		
02-019	5MVS825XF005	BRUSH DISCHARGER		1	Yes	Yes	Yes	Yes	Yes	Yes	Yes		
02-020	5MVS722KN001	SHEET REGIST		1	Yes	Yes	Yes	Yes	Yes	Yes	Yes		
02-021	5MVS722KN003	SHEET REGIST B		1	Yes	Yes	Yes	Yes	Yes	Yes	Yes		
02-022	5MMT766SN006	SHAFT FEED		1	Yes	Yes	Yes	Yes	Yes	Yes	Yes		
02-023	5AAVCLTCH011	CLUTCH FEED		1	Yes	Yes	Yes	Yes	Yes	Yes	Yes		
02-024	5AAVROLL*029	ROLLER FEED ASSY	1	1	Yes	Yes	Yes	Yes	Yes	Yes	Yes		
02-025	5MVM122DB003	BUSH POM		1	Yes	Yes	Yes	Yes	Yes	Yes	Yes		
02-026	5MMT874LD002	ROLLER EXIT		1	Yes	Yes	Yes	Yes	Yes	Yes	Yes		
02-027	5MVM176DW001	BUSH EXIT		1	Yes	Yes	Yes	Yes	Yes	Yes	Yes		
02-028	5MVG137DW003	GEAR EXIT Z22		1	Yes	Yes	Yes	Yes	Yes	Yes	Yes		
02-029	5MVG148DN035	GEAR Z38		2	Yes	Yes	Yes	Yes	Yes	Yes	Yes		
02-030	5MVX651SB006	COVER CORD		1	Yes	Yes	Yes	Yes	Yes	Yes	Yes		
02-031	5AACCNQH0GEA	CONN. CORD ASSY		1	Yes	Yes	Yes	Yes	Yes	Yes	Yes	S02210	
02-032	5AACCNQH5GEA	CONN. CORD ASSY		1	Yes	Yes	Yes	Yes	Yes	Yes	Yes	S02215	

REF.NO	PART CODE	DESCRIPTION	ISP	USED	FS-680						CHINA	TWN	NOTE
					KEE	KEU	KEF	KEA	KEI				
02-033	5AACCNQP2GEA	CONN. CORD ASSY		1	Yes	Yes	Yes	Yes	Yes	Yes	Yes	S02302	
02-034	5AACCNQP4GEA	CONN. CORD ASSY		1	Yes	Yes	Yes	Yes	Yes	Yes	Yes	S02304	
02-035	5AACCNQG3GEA	CONN. CORD ASSY		1	Yes	Yes	Yes	Yes	Yes	Yes	Yes	S02203	
02-036	5MMT876SN055	ROLLER REGIST LOW		1	Yes	Yes	Yes	Yes	Yes	Yes	Yes		
02-037	5MMT865SN009	ROLLER REGIST UP		1	Yes	Yes	Yes	Yes	Yes	Yes	Yes		
02-038	5MVX221DB019	BUSH REGIST LEFT		1	Yes	Yes	Yes	Yes	Yes	Yes	Yes		
02-039	5MVX221DW006	BUSH REGIST RIGHT		1	Yes	Yes	Yes	Yes	Yes	Yes	Yes		
02-040	5MMW261LD023	SPRING REGIST R		2	Yes	Yes	Yes	Yes	Yes	Yes	Yes		
02-041	5MVG126DN013	GEAR REGIST Z16		1	Yes	Yes	Yes	Yes	Yes	Yes	Yes		
02-042	5MVG148DN036	GEAR REGIST Z25		1	Yes	Yes	Yes	Yes	Yes	Yes	Yes		
02-043	5AAVCLTCH012	CLUTCH REGIST	1	1	Yes	Yes	Yes	Yes	Yes	Yes	Yes		
02-044	5MVX766DB001	HOLDER FEED		1	Yes	Yes	Yes	Yes	Yes	Yes	Yes		
02-045	5MVT763SB001	PULLEY FEED		1	Yes	Yes	Yes	Yes	Yes	Yes	Yes		
02-046	5MVX642SB010	ACTUATOR FEED		1	Yes	Yes	Yes	Yes	Yes	Yes	Yes		
02-047	5MVX442SB009	ACTUATOR EMPTY		1	Yes	Yes	Yes	Yes	Yes	Yes	Yes		
02-048	5AAPRPWC1009AH	P.W.BOARD ASSY	1	1	Yes	Yes	Yes	Yes	Yes	Yes	Yes	H.V.SUPPLY KP-683	
02-048	5AAXTR038VDA	TRANS ASSY	1	1	No	No	No	No	No	No	No		
02-049	5EZN2401901*01	FAN MOTOR	1	1	Yes	Yes	Yes	Yes	Yes	Yes	Yes		
02-051	5MVS329RN003	SEAL FRAME		1	Yes	Yes	Yes	Yes	Yes	Yes	Yes		
02-052	5MVQ432RB003	CORD PRESS		1	Yes	Yes	Yes	Yes	Yes	Yes	Yes		
02-053	5MMW151LD003	SPRING ACTUATOR REG.		1	Yes	Yes	Yes	Yes	Yes	Yes	Yes		
02-053	5MVS825KN001	SHEET DISCHARGER		1	Yes	Yes	Yes	Yes	Yes	Yes	Yes		
02-054	5MVS327SN001	SPACER FRAME L		1	Yes	Yes	Yes	Yes	Yes	Yes	Yes		
02-055	5MVS327SN002	SPACER FRAME R		1	Yes	Yes	Yes	Yes	Yes	Yes	Yes		
03-017	5AAXMT033GEA	MOTOR MAIN	1	1	Yes	Yes	Yes	Yes	Yes	Yes	Yes		
04-001	5AAEZF600A1	SWITCHING REGULATOR	1	1	No	No	No	No	Yes	No	Yes	120V	
04-001	5AAEZF600E1	SWITCHING REGULATOR	1	1	Yes	Yes	Yes	Yes	No	Yes	No	240V	
04-002	5AAPRCZC2006AH	P.W.BOARD ASSY	1	1	Yes	Yes	Yes	Yes	No	No	Yes	ENGINE PWB KP-717	
04-002	5AAPRCZC2006BH	P.W.BOARD ASSY	1	1	No	No	No	No	Yes	No	No	ENGINE PWB KP-717	
04-002	5AAPRCZC2006CH	P.W.BOARD ASSY	1	1	No	No	No	No	Yes	No	No	ENGINE PWB KP-717	
04-003	5AAPRIFC2011AH	P.W.BOARD ASSY	1	1	Yes	Yes	Yes	Yes	Yes	Yes	Yes	ENGINE RELAY PWB KP-718	
04-004	5AAPRLGC2016CH	P.W.BOARD ASSY	1	1	Yes	Yes	Yes	Yes	Yes	Yes	Yes	MAIN PWB KP-540	
04-006	5MVB854SB002	GUIDE CASSETTE LEFT		1	Yes	Yes	Yes	Yes	Yes	Yes	Yes		
04-007	5MVB864SB012	GUIDE CASSETTE RIGHT		1	Yes	Yes	Yes	Yes	Yes	Yes	Yes		
04-008	5MML643SL004	PLATE CONNECTOR PF		1	Yes	Yes	Yes	Yes	Yes	Yes	Yes		
04-010	5MVS228RB019	FOOT		4	Yes	Yes	Yes	Yes	Yes	Yes	Yes		
04-011	5AAVB0X**005	BOX CONTROLLER ASSY		1	Yes	Yes	Yes	Yes	Yes	Yes	Yes		
04-012	5MMU841SD002	PANEL REAR		1	Yes	Yes	Yes	Yes	Yes	Yes	Yes		
04-013	5MMS636SD009	PLATE OPTION		1	Yes	Yes	Yes	Yes	Yes	Yes	Yes		
04-015	5MVS774CN001	SHEET PWB		1	Yes	Yes	Yes	Yes	Yes	Yes	Yes		
04-016	5MVS522KN001	SHEET CONNECTOR		1	Yes	Yes	Yes	Yes	Yes	Yes	Yes		
06-014	5AAXTM011GEA	THERMISTOR ASSY	1	1	Yes	Yes	Yes	Yes	Yes	Yes	Yes		
06-015	5EYFFQ15001**02	THERMOSTAT 240V150degC		1	Yes	Yes	Yes	Yes	Yes	Yes	Yes	CS-7SA AV-A20-01 6A	
06-017	5MVG138XN008	GEAR FUSER Z30	1	1	Yes	Yes	Yes	Yes	Yes	Yes	Yes		
06-018	5EZPB1213820101	HEATER LAMP	1	1	No	No	No	No	Yes	No	Yes	120V	
06-018	5EZPB2411920101	HEATER LAMP	1	1	Yes	Yes	Yes	Yes	No	Yes	No	240V	

REF.NO	PART CODE	DESCRIPTION	ISP	USED	FS-680						CHINA	TWN	NOTE
					KEE	KEU	KEF	KEA	KEI				
06-022	5MMX222LD016	HOLDER LAMP L	1	1	Yes	Yes	Yes	Yes	Yes	Yes	Yes		
06-023	5MMX531RD002	HOLDER LAMP R	1	1	Yes	Yes	Yes	Yes	Yes	Yes	Yes		
08A-01	5AAVBLADE031	BLADE ASSY		1	Yes	Yes	Yes	Yes	Yes	Yes	Yes		
08B-02	5MVB752PB004	CASE FEED TONER		1	Yes	Yes	Yes	Yes	Yes	Yes	Yes		
08B-03	5MVM266DN003	ROLLER BELT		1	Yes	Yes	Yes	Yes	Yes	Yes	Yes		
08B-04	5MVM190EN001	BELT FEED TONER		1	Yes	Yes	Yes	Yes	Yes	Yes	Yes		
08B-05	5MVX332SB017	SHUTTER CASE BELT		1	Yes	Yes	Yes	Yes	Yes	Yes	Yes		
08B-06	5MMW355LN001	SPRING SHUTTER		1	Yes	Yes	Yes	Yes	Yes	Yes	Yes		
08B-07	5MVS528MH001	SEAL CASE BELT		1	Yes	Yes	Yes	Yes	Yes	Yes	Yes		
08B-08	5MVT876CB006	SCREW CLEANER		1	Yes	Yes	Yes	Yes	Yes	Yes	Yes		
08B-09	5MMW155SN002	SPRING STOPPER		1	Yes	Yes	Yes	Yes	Yes	Yes	Yes		
08B-10	5MVX222SB011	STOPPER CASE BELT		1	Yes	Yes	Yes	Yes	Yes	Yes	Yes		
10C-01	5AAYFS600E19	TUBE MIXER ASSY		1	Yes	Yes	Yes	Yes	Yes	Yes	Yes		
10E-01	5AAYFS600E22	BRACKET MOTOR ASSY		1	Yes	Yes	Yes	Yes	Yes	Yes	Yes		
10G-01	5AAYFS600E18	GUIDE PAPER ASSY		1	Yes	Yes	Yes	Yes	Yes	Yes	Yes		
	5PLPZ9WAEKE	FK-19 (E) FUSER UNIT	1	1	Yes	Yes	Yes	Yes	No	Yes	No	240V	
	5PLPZ0XAAK1	FK-19 (U) FUSER UNIT	1	1	No	No	No	No	Yes	No	Yes	120V	
	5PLPZ5CAEKE	PU-18 PROCESS UNIT	1	1	Yes	Yes	Yes	Yes	Yes	No	Yes		
	5PLPZ6LANRN	PU-18 LEG PROCESS UNIT	1	1	No	No	No	No	No	Yes	No		
	5PLPZ6CAEKE	LK-18 SCANNER UNIT	1	1	Yes	Yes	Yes	Yes	Yes	Yes	Yes		
	5AACAC393ULA	AC CORD ASSY		1	No	No	No	No	Yes	No	Yes	KP-30 KS-16AL	
	5AACAC404ASA	AC CORD ASSY L=2000		1	No	No	No	Yes	No	No	No	SC-112-J05 250V 10A	
	5AACAC458BSA	AC CORD ASSY		1	No	Yes	No	No	No	No	No	KP-610,GTBS-3	
	5AAK680LE*01	PACKING ASSY		1	No	No	No	No	No	Yes	No		
	5AAK680TW*01	PACKING ASSY		1	No	No	No	No	No	No	Yes		
	5AAK680U**01	PACKING ASSY		1	No	No	No	No	Yes	No	No		
	5AAPRMEG4019TH	P.W.B. ASSY KP-610	1	1	Yes	Yes	Yes	Yes	Yes	Yes	Yes	DIMM PWB KP-610	
	5AAVC0VER192	COVER TOP ASSY U	1	1	Yes	Yes	No	Yes	Yes	No	Yes		
	5AAVC0VER194	COVER TOP ASSY F	1	1	No	No	Yes	No	No	No	No		
	5AAVC0VER197	COVER REAR ASSY	1	1	Yes	Yes	Yes	Yes	Yes	Yes	Yes		
	5AAVC0VER223	COVER TOP ASSY LEG	1	1	No	No	No	No	No	Yes	No		
	5AAVC0VER228	LID TOP ASSY U		1	No	No	No	No	Yes	No	No		
	5AAVC0VER229	LID TOP ASSY LEG		1	No	No	No	No	No	Yes	No		
	5AAY800E**09	DRIVE UNIT	1	1	Yes	Yes	Yes	Yes	Yes	Yes	Yes		
	5KKS680LE*01	OUTER CARTON		1	No	No	No	No	No	Yes	No		
	5KKS680TW*01	OUTER CARTON		1	No	No	No	No	No	No	Yes		
	5KKS680U**01	OUTER CARTON		1	No	No	No	No	Yes	No	No		
	5MVB876CH010	LID TOP R		1	No	No	No	No	Yes	No	No		
	5MVB876CH011	LID TOP LEG		1	No	No	No	No	No	Yes	No		